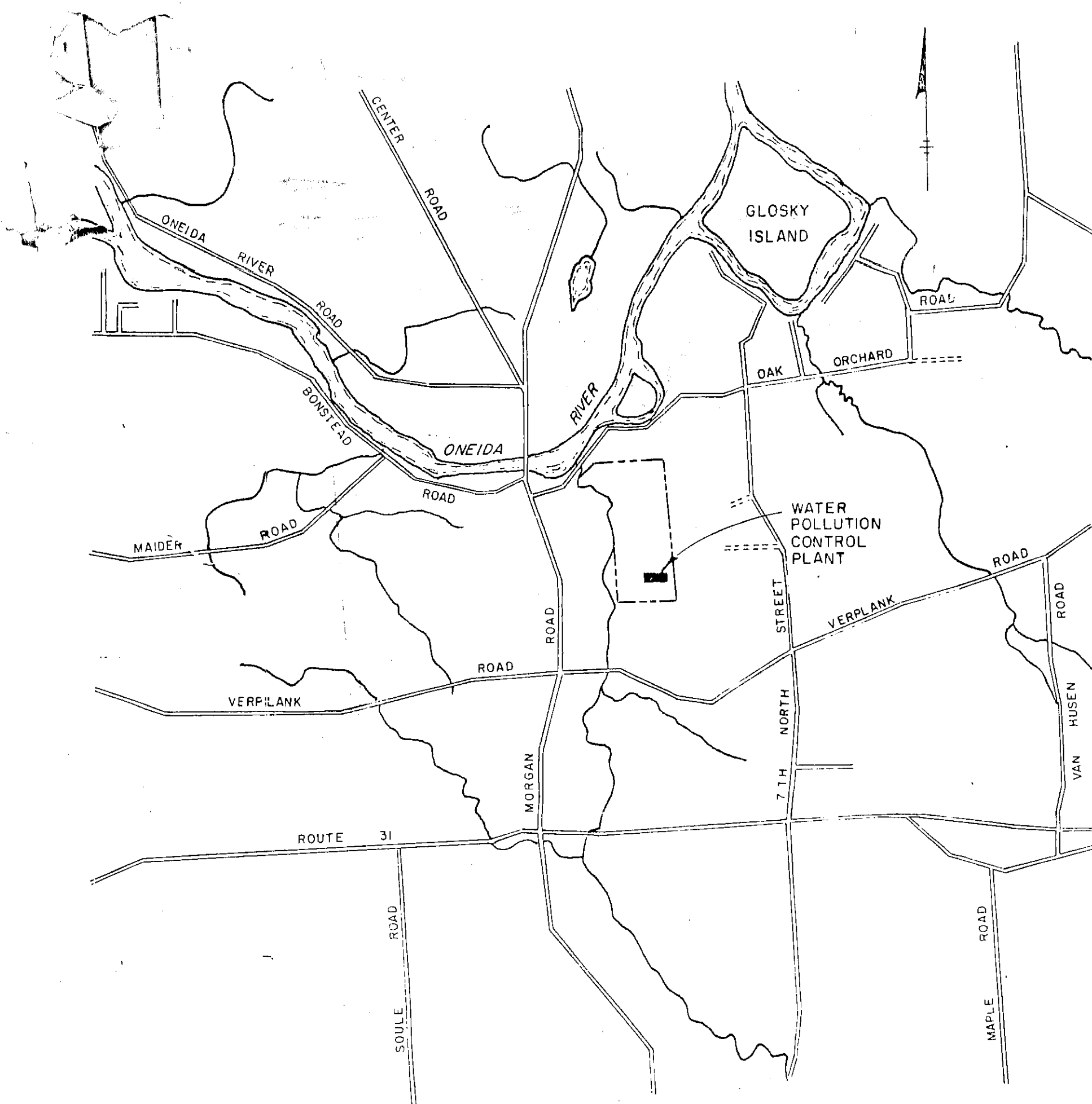


Contract Drawings

OAK ORCHARD WATER POLLUTION CONTROL PLANT



LOCATION PLAN
SCALE: 1" = 2000'

C-36-731
CONTRACT NO. 9
CONTRACT NO. 9A-GENERAL
CONTRACT NO. 9B-ELECTRICAL
CONTRACT NO. 9C-HEATING & VENTILATING
CONTRACT NO. 9D-PLUMBING
CONTRACT NO. 9E-OXYGEN GENERATION & DISSOLUTION SYSTEM
CONTRACT NO. 9F-SLUDGE TREATMENT PROCESS

CLAY SANITARY DISTRICT
COUNTY OF ONONDAGA, NEW YORK
DEPARTMENT OF DRAINAGE & SANITATION


JOHN H. MULROY - COUNTY EXECUTIVE
JOHN J. HENNIGAN JR. - DEPUTY COMMISSIONER

ARCHIVE DRAWINGS
DO NOT REMOVE FROM OFFICE
THIS STAMP IS IN RED INK

ARCHIVE DRAWINGS
DO NOT REMOVE FROM OFFICE
THIS STAMP IS IN RED INK

ONONDAGA COUNTY
DEPARTMENT OF DRAINAGE & SANITATION

DEPUTY COMMISSIONER

 O'BRIEN & GERE
ENGINEERS, INC.

ARCHIVE DRAWINGS
DO NOT REMOVE FROM OFFICE
THIS STAMP IS IN RED INK

INDEX TO DRAWINGS

OAK ORCHARD WATER POLLUTION CONTROL PLANT

GENERAL

- G-1 Existing Site Plan
- G-2 Proposed Site Plan
- G-3 Plant Site Grading
- G-4 Access Road Grading
- G-5 Plant Site Planting
- G-6 Access Road Planting
- G-7 Access Road Profiles
- G-8 Roadway Details
- G-9 Outside Piping Profiles
- G-10 Miscellaneous Details
- G-11 Miscellaneous Details
- G-12 Hydraulic Profile

ARCHITECTURAL

- A-1 Abbreviations and General Notes
- A-2 Unit A - Room Finish Schedule
- A-3 Unit A - Room Finish Schedule and Details
- A-4 Unit A - First Floor - Plan and Details
- A-5 Unit A - Second Floor - Plan and Details
- A-6 Units B & C - First Floor - Floor Plan
- A-7 Units B & C - Second Floor - Plan and Detail
- A-8 Units P, H, Y, I - Plans and Details
- A-9 Chlorination Building Floor and Roof Plan
- A-10 Unit A - Elevations and Details
- A-11 Unit B - Elevations
- A-12 Elevations
- A-13 Elevations
- A-14 Wall Sections
- A-15 Wall Sections
- A-16 Wall Sections
- A-17 Miscellaneous Details
- A-18 Window Details
- A-19 Door Schedule and Details
- A-20 Door Schedule and Details
- A-21 Roof Plans and Details
- A-22 Stair Schedule and Details
- A-23 Stair Schedule and Details
- A-24 Stair Details
- A-25 Stair Details
- A-26 Stair Details
- A-27 Stair Details
- A-28 Units A & B - Toilet and Locker Room Details
- A-29 Unit A - Laboratory Details
- A-30 Unit A - First Floor - Reflected Ceiling Plan
- A-31 Unit A - Second Floor - Reflected Ceiling Plan
- A-32 Miscellaneous Details
- A-33 Miscellaneous Details
- A-34 Louver Schedule and Details

STRUCTURAL

- S-1 Unit A - Pile & Foundation Plan
- S-2 First Floor - Unit A - Plan & Sections
- S-3 Second Floor - Unit A - Framing Plan & Sections
- S-4 Second Floor - Unit A - Framing Plan & Sections
- S-5 Unit A - Roof Framing Plan & Sections
- S-6 Unit A - Details
- S-7 Unit A - Sections
- S-8 Unit A - Sections
- S-9 Unit A - Details
- S-10 Units B & C - Pile & Foundation Plan
- S-11 Units B & C - First Floor Plan
- S-12 Units B & C - Second Floor Plan
- S-13 Second Floor - Units B & C - Framing Plan
- S-14 Units B & C - Roof Framing Plan
- S-15 Unit B - Sections
- S-16 Unit B - Sections
- S-17 Unit B - Sections
- S-18 Unit B - Sections
- S-19 Unit C - Sections
- S-20 Unit C - Sections
- S-21 Unit C - Sections
- S-22 Unit C - Sections
- S-23 Units B & C - Column Schedule
- S-24 Units B & C - Column Base Plate Details
- S-25 Oxygen Generation Building - Plans
- S-26 Oxygen Generation Building - Sections & Details
- S-27 Oxygen Generation Building - Sections
- S-28 Chlorination Building - Plans & Details
- S-29 Chlorination Building - Roof Plan & Details
- S-30 Access Buildings - Plans & Sections
- S-31 Primary Flow Units - Plans
- S-32 Primary Flow Units - Sections
- S-33 Primary Flow Units - Sections
- S-34 Aeration Tank - Plans
- S-35 Aeration Tank - Sections
- S-36 Aeration Tank - Sections
- S-37 Secondary Flow Units - Plans
- S-38 Secondary Flow Units - Sections
- S-39 Secondary Flow Units - Sections
- S-40 Secondary Flow Units - Sections
- S-41 Chlorine Contact Tank - Plans & Sections
- S-42 Raw Sludge Thickener & Holding Tanks - Plans
- S-43 Raw Sludge Thickener & Holding Tanks - Sections
- S-44 Raw Sludge Thickener & Holding Tanks - Sections
- S-45 Oxidized Sludge Thickeners Filtrate Storage Tanks - Plan
- S-46 Oxidized Sludge Thickeners Filtrate Storage Tanks - Sections
- S-47 Miscellaneous Structures
- S-48 Miscellaneous Structures
- S-49 Miscellaneous Details
- S-50 Miscellaneous Details
- S-51 Miscellaneous Details

MECHANICAL

- M-1 Grit and Screenings Building - Plan
- M-2 Grit and Screenings Building - Section
- M-3 Grit and Screenings Building - Section and Details
- M-4 Grit and Screenings Building - Details
- M-5 Primary Flow Units - Plan
- M-6 Primary Flow Units - Section and Details
- M-7 Primary Flow Units - Section and Details
- M-8 Aeration Tank - Plan
- M-9 Aeration Tank - Section and Details
- M-10 Aeration Tank - Details
- M-11 Secondary Flow Units - Plan
- M-12 Secondary Flow Units - Sections and Details
- M-13 Secondary Flow Units - Section and Details
- M-14 Gallery Layout - Plan
- M-15 Compressor Room - Plan and Sections
- M-16 Thickened Sludge Pumping Station - Plan and Sections
- M-17 Oxidized Sludge Pumping Station - Plan and Sections
- M-18 Gallery - Miscellaneous Sections
- M-19 Primary Gallery - Plan and Sections
- M-20 Aeration Gallery - Plan and Sections
- M-21 Aeration Gallery - Plan and Sections
- M-22 Secondary Cross Gallery North - Plan and Sections
- M-23 Secondary Cross Gallery South - Plan and Sections
- M-24 Secondary Gallery - Plan and Sections
- M-25 Oxygen Generation Building - Plan FILE RD-6 1/31/95
- M-26 Oxygen Generation Building - Sections
- M-27 Oxygen Generation - Schematic
- M-28 Raw Sludge Thickeners and Holding Tanks - Plan and Sections
- M-29 Oxidized Sludge Thickeners and Filtrate Storage Tanks - Plan - Section and Details
- M-30 Sludge Process Area - Plan
- M-31 Sludge Process Area - Sections
- M-32 Boiler Room - Plan and Sections
- M-33 Fume Incineration Area - Plan and Sections
- M-34 Sludge Process - Schematic
- M-35 Sludge Dewatering - Plan
- M-36 Sludge Dewatering - Section
- M-37 Polymer Feed Plan
- M-38 Polymer Feed Sections and Scum Pump Station - Sections
- M-39 Ferric Chloride Feed - Plan and Sections
- M-40 Chlorine Contact Tank - Plan and Sections RD-7 1/31/95
- M-41 Chlorination Building - Details RD-8 1/31/95
- M-42 Chlorine and Chemical Feed - Schematics
- M-43 Schematics
- M-44 Water - Schematic RD-3 1/31/95
- M-45 Miscellaneous Details
- M-46 Miscellaneous Details
- M-47 Miscellaneous Details

ELECTRICAL

- E-1 Site Plan
- E-2 Unit Substation Plans & Detail
- E-3 Unit Substation Plans & Detail
- E-4 Distribution Details
- E-5 Lightning Protection Plans
- E-6 MCC One-Line
- E-7 MCC One-Line
- E-8 MCC One-Line
- E-9 MCC One-Line
- E-10 MCC One-Line
- E-11 MCC One-Line
- E-12 MCC One-Line
- E-13 One-Lines
- E-14 Elementary Diagrams
- E-15 Elementary Diagrams
- E-16 Unit A - Power Plan
- E-17 Unit A - Power Plan
- E-18 Units B & C - Power Plan
- E-19 Units B & C - Power Plan
- E-20 Unit A - Lighting Plan
- E-21 Unit A - Lighting Plan
- E-22 Unit B&C - Lighting Plan
- E-23 Units B & C - Lighting Plan
- E-24 Unit C - Power Plan
- E-25 Gallery - Power Plan
- E-26 Gallery - Lighting Plan
- E-27 Unit E - Power Plan
- E-28 Unit F - Power Plan
- E-29 Unit G - Power and Lighting
- E-30 Unit H - Power and Lighting
- E-31 Unit J&K - Power and Lighting
- E-32 Unit I - Power and Lighting
- E-33 Access Structures - Power and Lighting
- E-34 Chlorine Building - Power and Lighting
- E-35 Lighting Schedules
- E-36 Lighting Schedules
- E-37 Lighting Schedules
- E-38 Lighting Schedules
- E-39 Elementary Diagrams
- E-40 Instrumentation One-Lines
- E-41 Instrumentation One-Lines
- E-42 Details
- E-43 Details

HEATING AND VENTILATING

- H-1 Unit A
- H-2 Unit A
- H-3 Units B & C
- H-4 Units B & C
- H-5 Details
- H-6 Gallery and Scum Pump Stations
- H-7 Access Structures
- H-8 Unit F
- H-9 Chlorine Building
- H-10 Details
- H-11 Schedules
- H-12 Sections & Schedules

PLUMBING

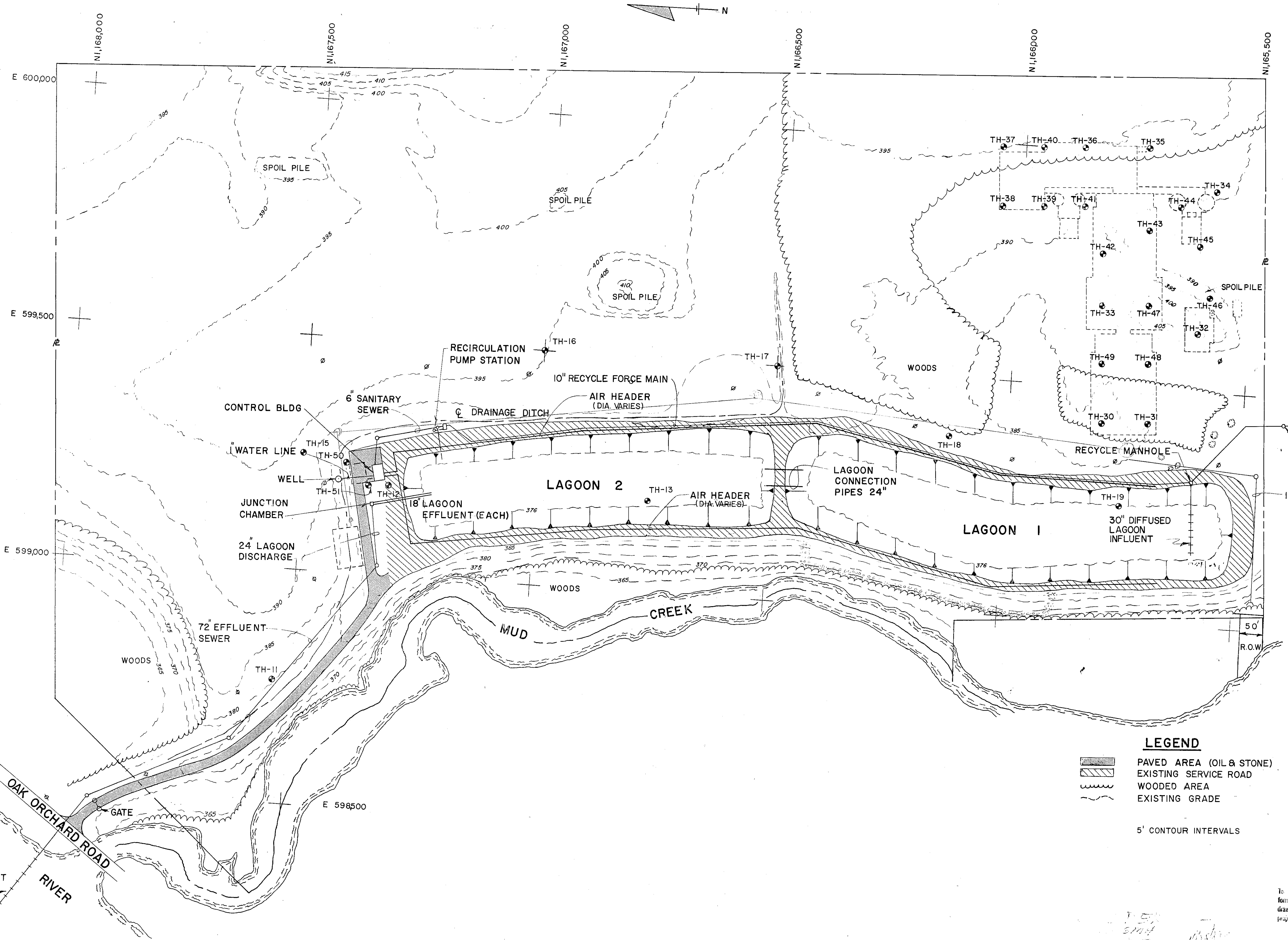
- P-1 Unit A
- P-2 Unit A
- P-3 Units B & C
- P-4 Units B & C
- P-5 Miscellaneous Plans
- P-6 Miscellaneous Plans
- P-7 Schematics

RD-2 OUTSIDE PIPING PLAN 1/31/95
 RD-8 SITE PLAN AND MCC ONE LINE 1/31/95
 S-RD-10 JUNCTION BOXES PLAN, SECTIONS 1/31/95

RD-1 MISC. DRAWINGS 5/23/95 DCL
 RD-2 6" WATER LINE LOCATION 5/24/95 DCL
 RD-3 18" STORM SEWER
 RD-4 WASTE WATER + MISC. PIPING
 RD-1 THRU ARE ALL
 RD-47 "Z" DRAWINGS
 VARIOUS AS BUILT
 CHANGES. DCL 5/23/95

85
 97
 152
 176
 42
 112
 251
 238

McGraw-Hill



LEGEND

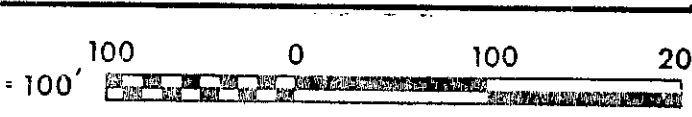
- PAVED AREA (OIL & STONE)
- EXISTING SERVICE ROAD
- WOODED AREA
- EXISTING GRADE

5' CONTOUR INTERVALS

DESIGNED BY: [Signature]
 DRAWN BY: [Signature]
 CHECKED BY: [Signature]
 DATE: [Signature]



In charge of WSP
 Designed by SRM Checked by WSP
 Made by RRE



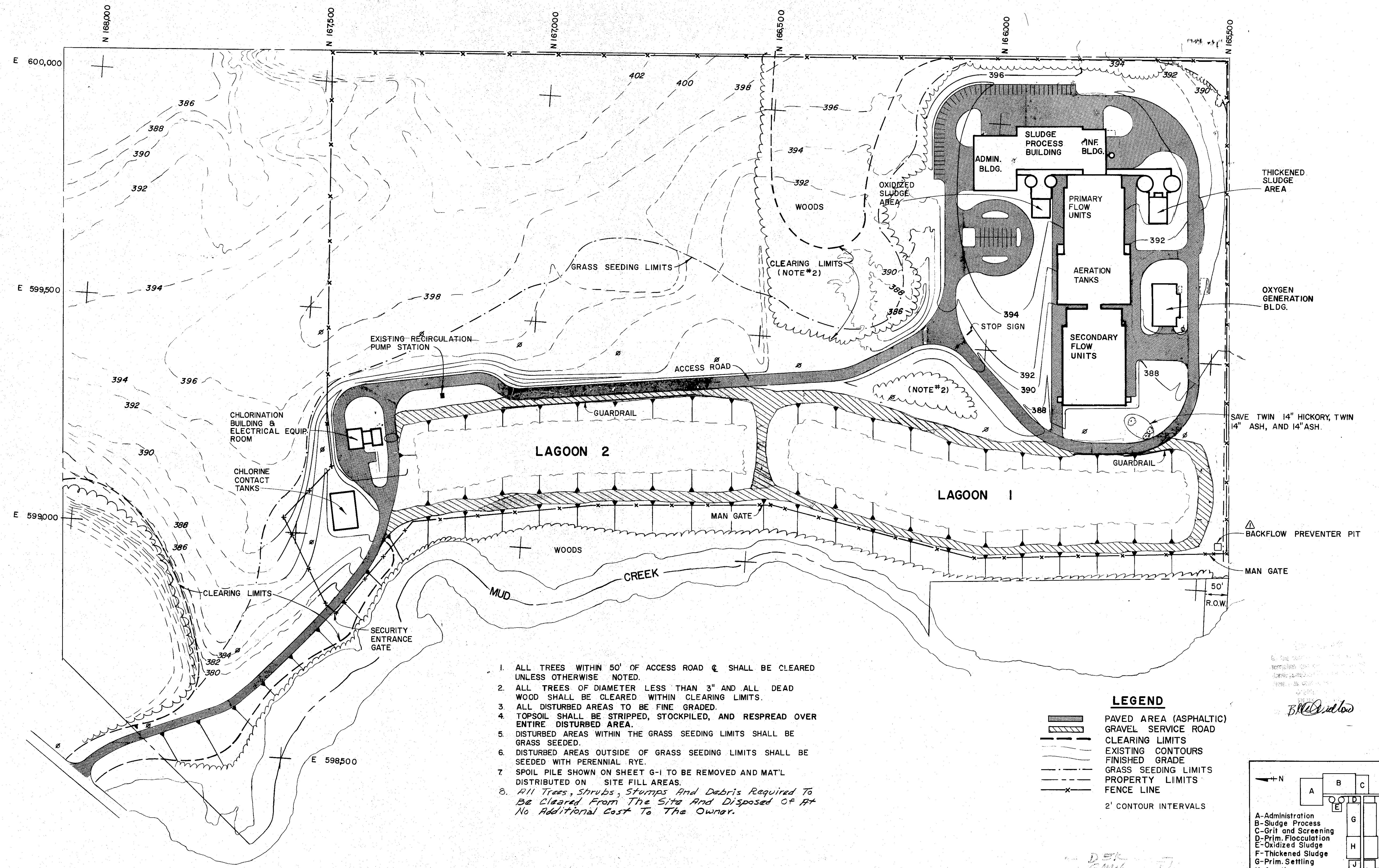
NO.	DATE	REVISION	INIT.

O'BRIEN & GERE
 ENGINEERS, INC.
 Syracuse, New York

CLAY SANITARY DISTRICT
 OAK ORCHARD SERVICE AREA
 OAK ORCHARD WATER POLLUTION CONTROL PLANT

GENERAL
 EXISTING

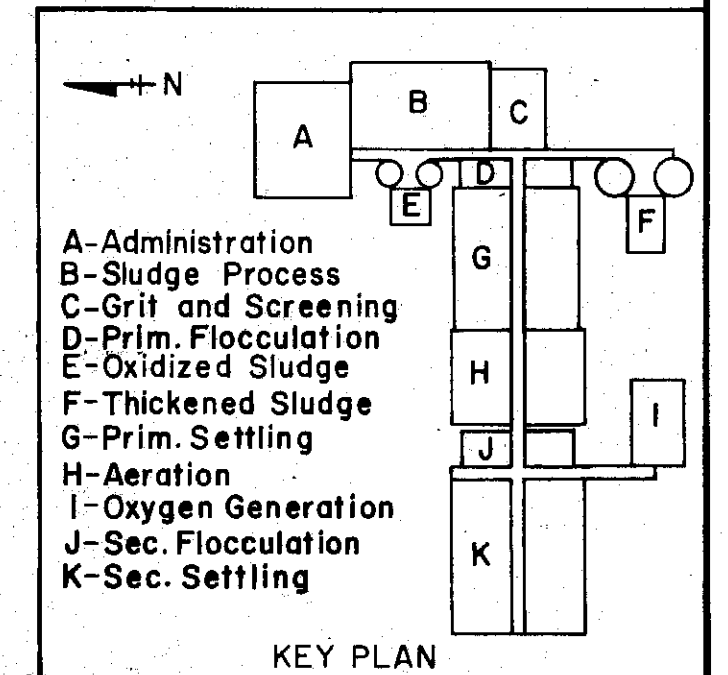
FILE NO.
 115.219-003F
 DATE
 JULY 1, 1975



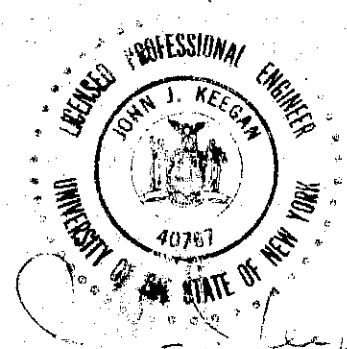
1. ALL TREES WITHIN 50' OF ACCESS ROAD @ SHALL BE CLEARED UNLESS OTHERWISE NOTED.
2. ALL TREES OF DIAMETER LESS THAN 3" AND ALL DEAD WOOD SHALL BE CLEARED WITHIN CLEARING LIMITS.
3. ALL DISTURBED AREAS TO BE FINE GRADED.
4. TOPSOIL SHALL BE STRIPPED, STOCKPILED, AND RESPREAD OVER ENTIRE DISTURBED AREA.
5. DISTURBED AREAS WITHIN THE GRASS SEEDING LIMITS SHALL BE GRASS SEEDED.
6. DISTURBED AREAS OUTSIDE OF GRASS SEEDING LIMITS SHALL BE SEEDED WITH PERENNIAL RYE.
7. SPOIL PILE SHOWN ON SHEET G-I TO BE REMOVED AND MAT'L DISTRIBUTED ON SITE FILL AREAS.
8. *All Trees, Shrubs, Stumps And Debris Required To Be Cleared From The Site And Disposed Of At No Additional Cost To The Owner.*

LEGEND

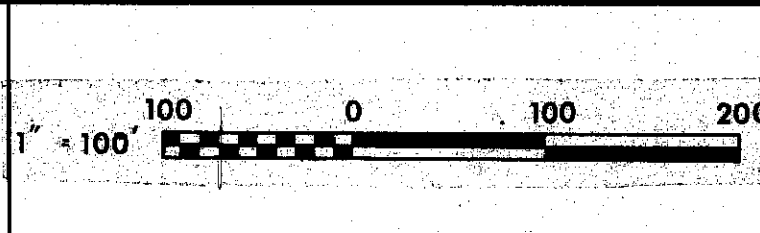
- PAVED AREA (ASPHALTIC)
- GRAVEL SERVICE ROAD
- CLEARING LIMITS
- EXISTING CONTOURS
- FINISHED GRADE
- GRASS SEEDING LIMITS
- PROPERTY LIMITS
- FENCE LINE
- 2' CONTOUR INTERVALS



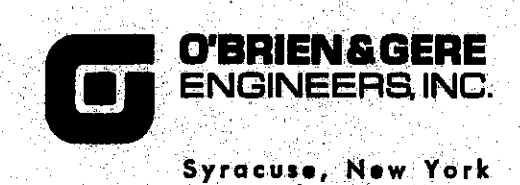
For Additional Information See Sheets Z-38.R, RD-25



In charge of WSP
 Designed by GRM Checked by WSP
 Made by RBE



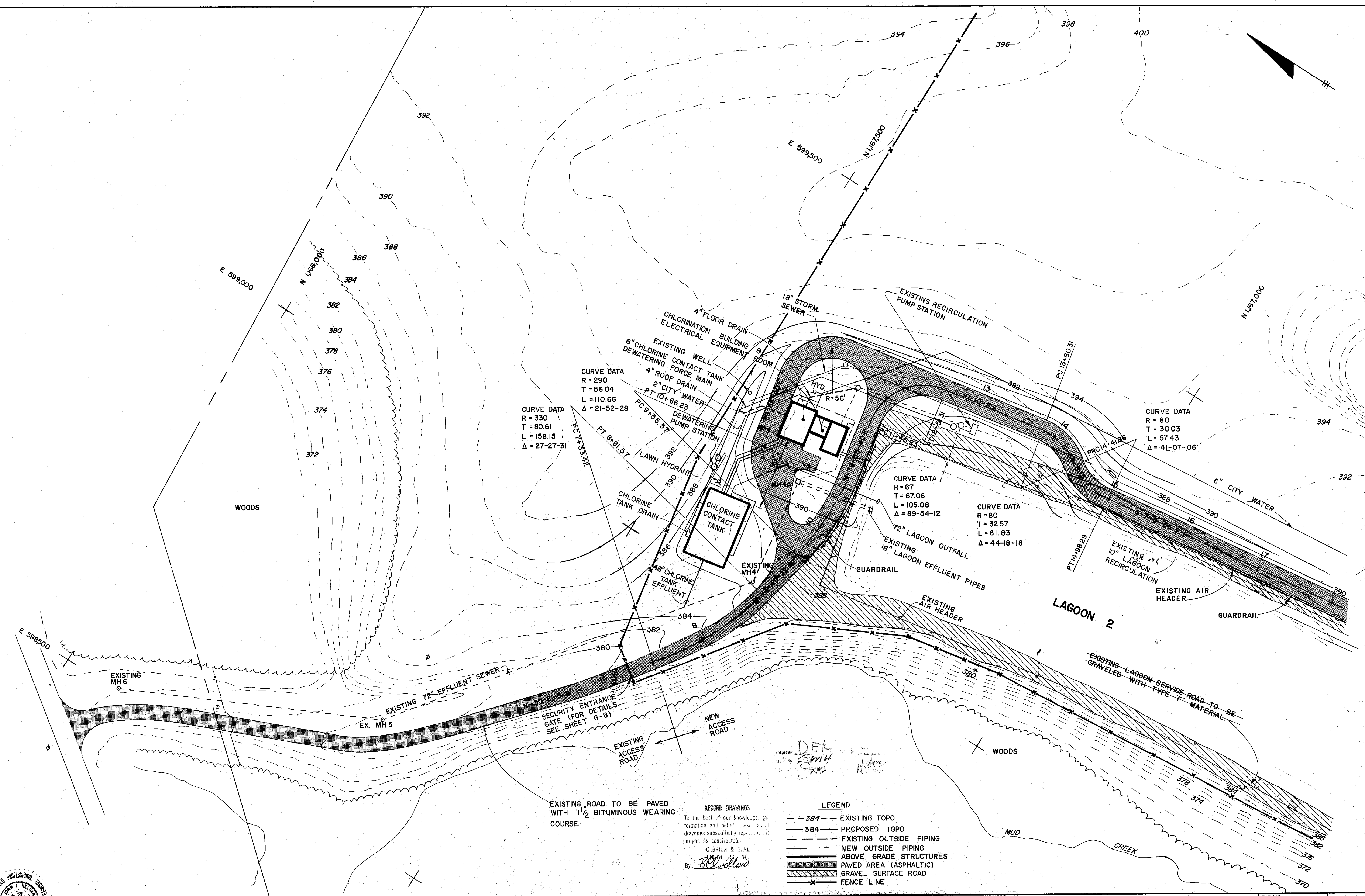
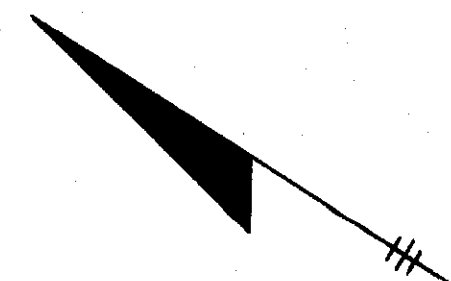
NO.	DATE	REVISION	INIT.
2/11/78		General Revisions	
3/14/78		General Revisions	
4/11/78		Added Backflow Preventer Pit	



CLAY SANITARY DISTRICT
 OAK ORCHARD SERVICE AREA
 OAK ORCHARD WATER POLLUTION CONTROL PLANT

GENERAL
 PROPOSED SITE PLAN

FILE NO.	115.219-004F
DATE	JULY 1, 1975
G-2	



CURVE DATA
R = 290
T = 56.04
L = 110.66
Δ = 21-52-28

CURVE DATA
R = 330
T = 80.61
L = 158.15
Δ = 27-27-31

CURVE DATA
R = 80
T = 30.03
L = 57.43
Δ = 41-07-06

CURVE DATA
R = 67
T = 67.06
L = 105.08
Δ = 89-54-12

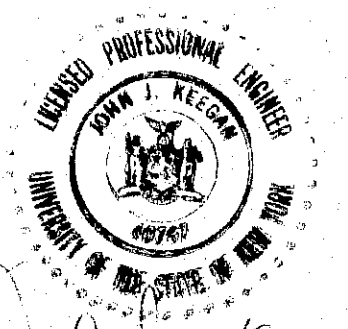
CURVE DATA
R = 80
T = 32.57
L = 61.83
Δ = 44-18-18

INSPECTOR
DESIGNED BY
CHECKED BY

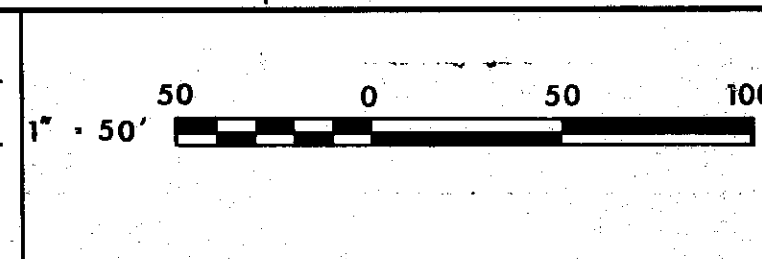
EXISTING ROAD TO BE PAVED WITH 1 1/2 BITUMINOUS WEARING COURSE.

RECORD DRAWINGS
To the best of our knowledge, information and belief, these record drawings substantially represent the project as constructed.
O'BRIEN & GERE
ENGINEERS, INC.
By: *[Signature]*

- LEGEND**
- 384 --- EXISTING TOPO
 - 384 --- PROPOSED TOPO
 - --- EXISTING OUTSIDE PIPING
 - --- NEW OUTSIDE PIPING
 - --- ABOVE GRADE STRUCTURES
 - --- PAVED AREA (ASPHALTIC)
 - --- GRAVEL SURFACE ROAD
 - --- FENCE LINE



In charge of *[Signature]*
Designed by *[Signature]* Checked by *[Signature]*
Made by *[Signature]*



NO.	DATE	REVISION	INIT.
1/30/78		General Revisions	
4/1/77		General Revisions	

O'BRIEN & GERE
ENGINEERS, INC.
Syracuse, New York

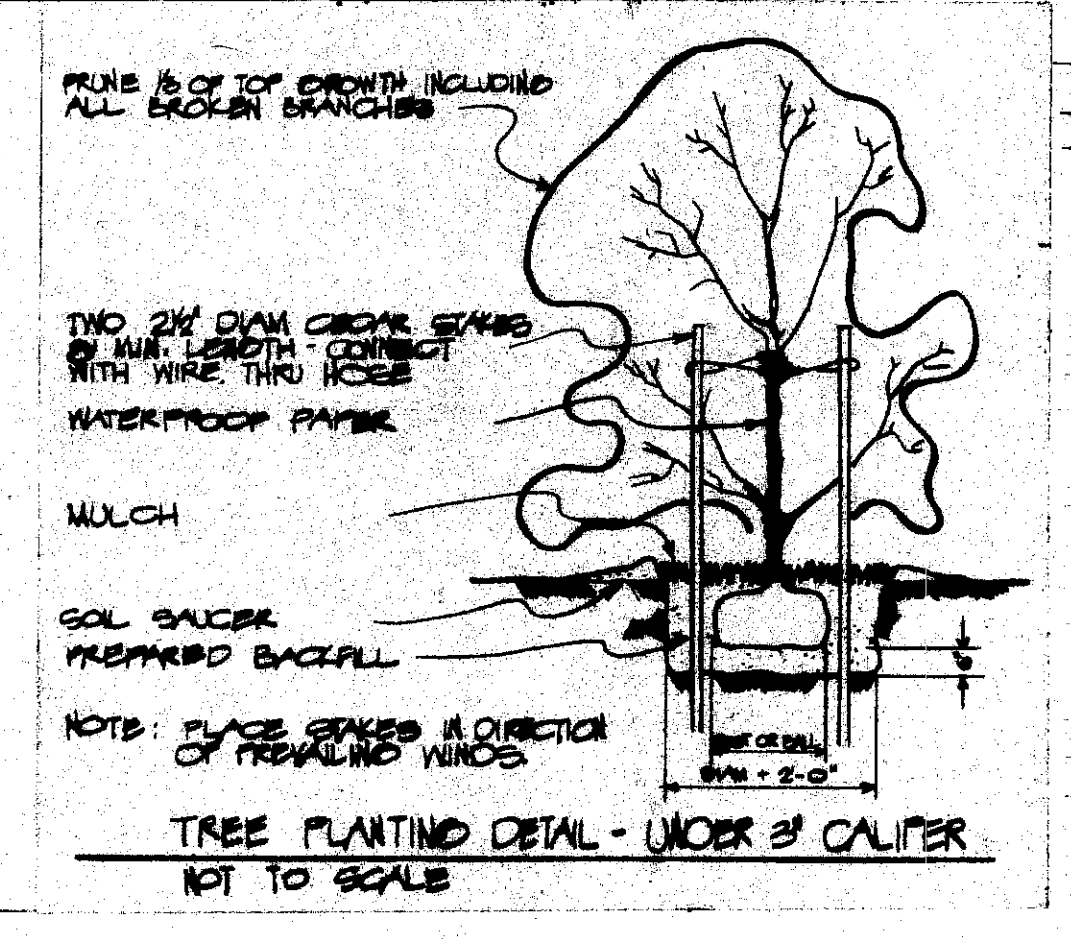
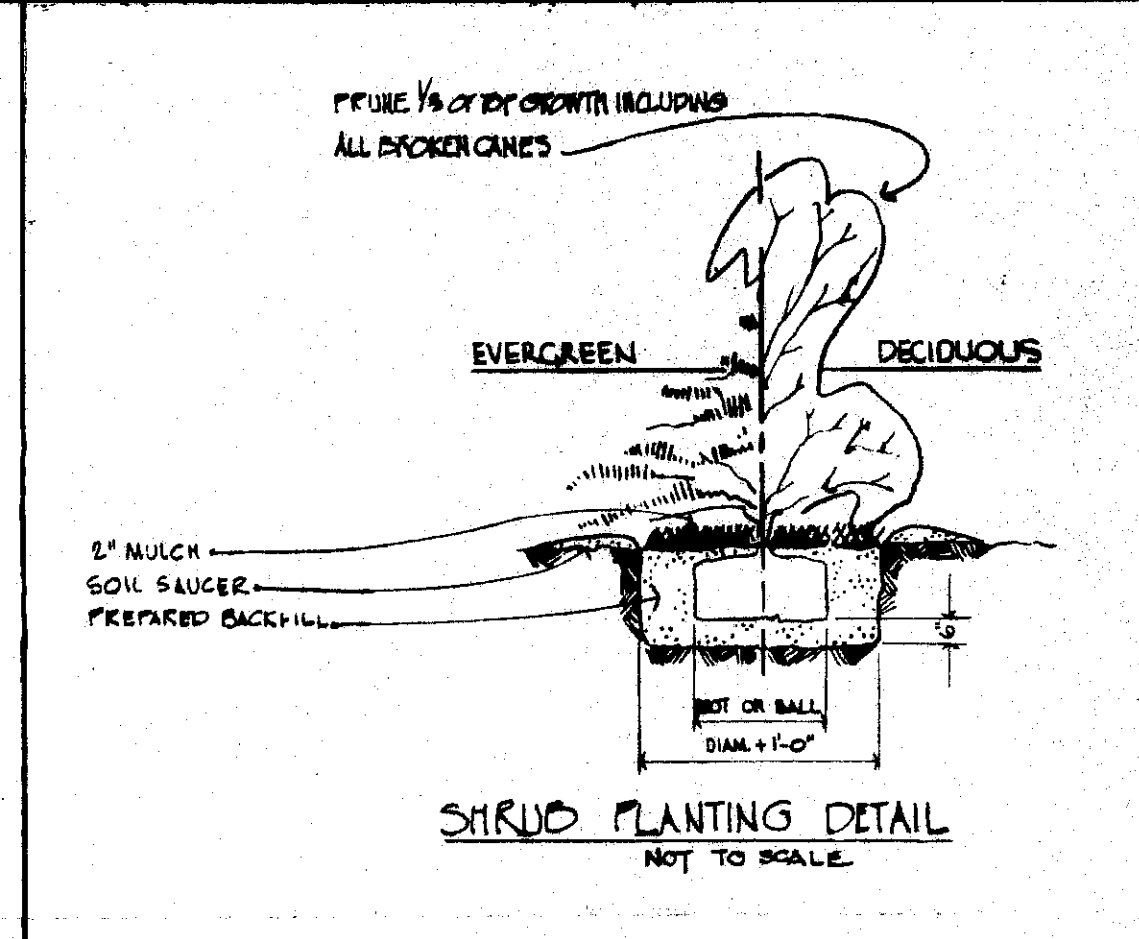
CLAY SANITARY DISTRICT
OAK ORCHARD SERVICE AREA
OAK ORCHARD WATER POLLUTION CONTROL PLANT

GENERAL
ACCESS ROAD GRADING

FILE NO.
115.219-006F
DATE
JULY 1, 1975
G-4

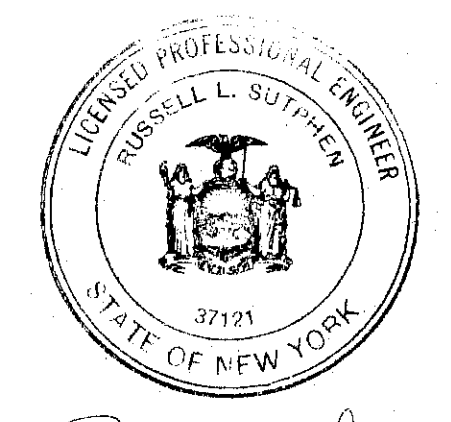
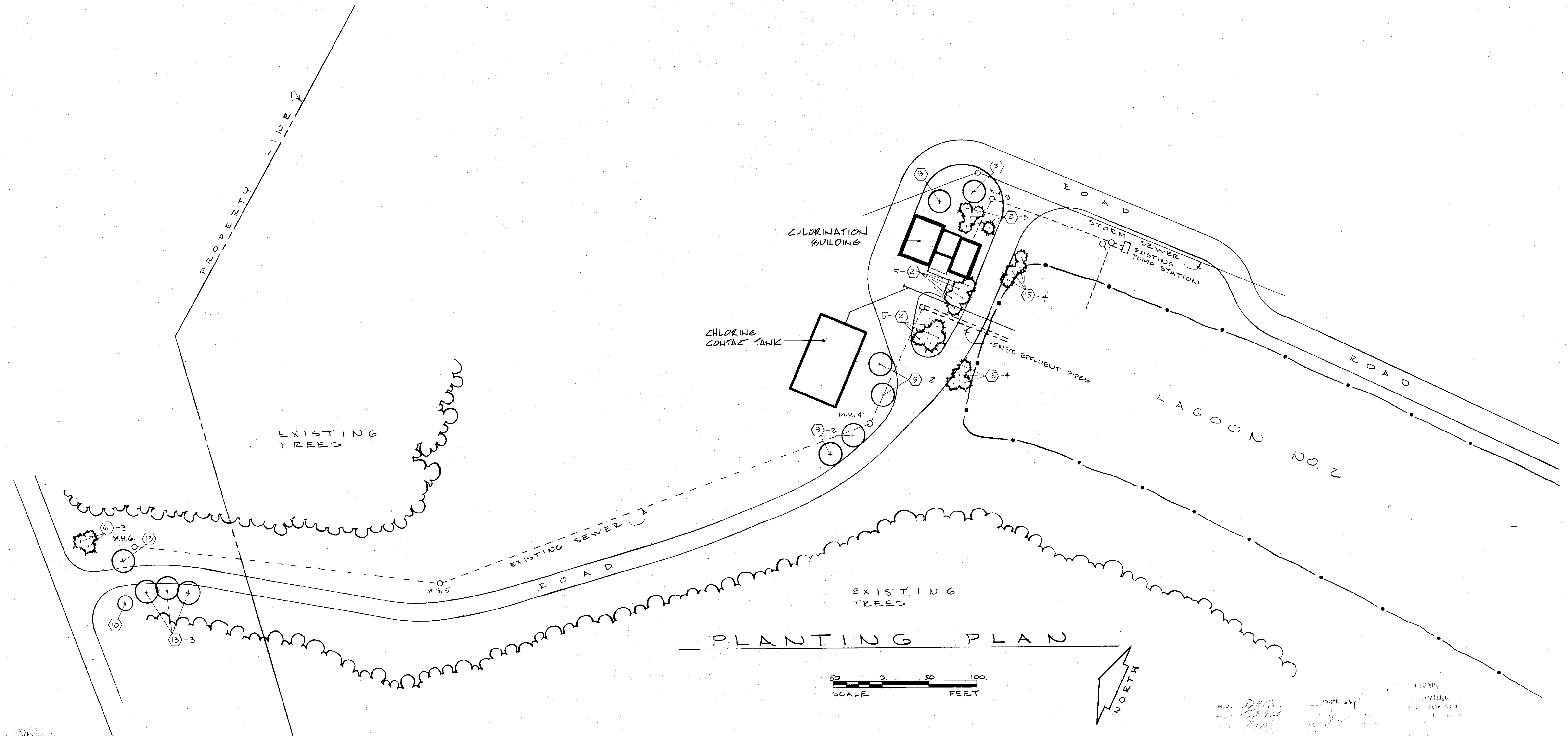
GENERAL NOTES:

1. THOROUGHLY COMPACT PREPARED BACKFILL UNDER ROOT BALLS TO ELIMINATE POSSIBILITY OF PLANT SETTLEMENT.
2. SCALE PLANT LOCATIONS FROM PLANS.
3. QUANTITIES SHOWN IN PLANT LIST ARE FOR CONVENIENCE OF CONTRACTOR ONLY. NUMBER OF PLANTS SHOWN ON PLANS GOVERNS IN CASE OF A CONFLICT.
4. CONTRACTOR SHALL VERIFY LOCATIONS OF ALL EXISTING UTILITIES PRIOR TO START OF WORK. ANY CONFLICTS THAT OCCUR BETWEEN NEW PLANT LOCATIONS AND EXISTING UTILITIES SHALL BE BROUGHT TO THE ENGINEER'S ATTENTION. ADJUSTMENT OF PLANT LOCATIONS BY CONTRACTOR SHALL BE PERFORMED AT NO COST TO OWNER.

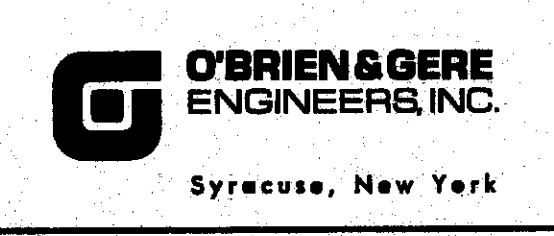


PLANT SCHEDULES

KEY	BOTANICAL NAME	COMMON NAME	QUAD.	SIZE	ROOT	REMARKS
1	ACER RUBRUM "OCTOBER GLORY"	OCTOBER GLORY MAPLE	7	2'-2 1/2' CAL.	B+B	
2	PICEA PUGENSIS	GREEN COLORADO SPRUCE	35	5'-6' HT.	B+B	
3	CRATAEGUS PHAENOPYRUM	WASHINGTON HAWTHORN	112	6'-8' HT.	B+B	
4	MALUS BACCATA	SIBERIAN CRABAPPLE	5	6'-8' HT.	B+B	
5	MALUS RADIANZ	RADIANT CRABAPPLE	4	6'-8' HT.	B+B	
6	PSEUDOTSUGA TAXIFOLIA	DOUGLASS FIR	19	5'-6' HT.	B+B	
7	VIBURNUM OPULUS NANUM	DWARF CRANBERRYBUSH	243	8'-12' HT.	CANES	
8	EDONYMUS ALATUS COMPACTUS	DWARF WINGED EDONYMUS	45	2 1/2'-3' HT.	CANES	
9	GLEDITSIA TRIACANTHOS INERMIS	HONEYLOCUST	9	2'-2 1/2' CAL.	B+B	
10	CRATAEGUS OXYACANTHA PAULI	PAUL'S SCARLET HAWTHORN	3	8'-10' HT.	B+B	
11	CORNUS STOLONIFERA	REDOSIER DOGWOOD	98	3'-4' HT.	B2	
12	CORNUS PANICULATA	GRAY DOGWOOD	220	3'-4' HT.	B2	
13	TILIA CORDATA	LITTLELEAF LINDEN	10	2'-2 1/2' CAL.	B+B	
14	JUNIPERUS HORIZONTALIS PLUMOSA	ANDORRA JUNIPER	95	12'-15' SFR.	B+B	
15	PICEA EXCELSA	NORWAY SPRUCE	57	3'-4' HT.	B+B	
A	DRACAENA WARNECKII		6	18" HT.	12" CLAY POT	BURY POT EXPOSE 4"
B	DRACAENA MARGINATA (GRACILIS)	(MULTI-STEM)	1	6'-8' HT.	16" CLAY POT	BURY POT EXPOSE 4"
C	CROTON - SPECIES		13	12" HT.		PLANT IN BED
D	PHILODENDRON CORDATUM		9	15" RUNNER		



In charge of <i>W. Suttman</i>	NO.	DATE	REVISION	INIT.
Designed by <i>ADN</i> Checked by <i>W. Suttman</i>				
Made by _____				
	2/1/78	General Revisions		
	3/1/77	General Revisions		

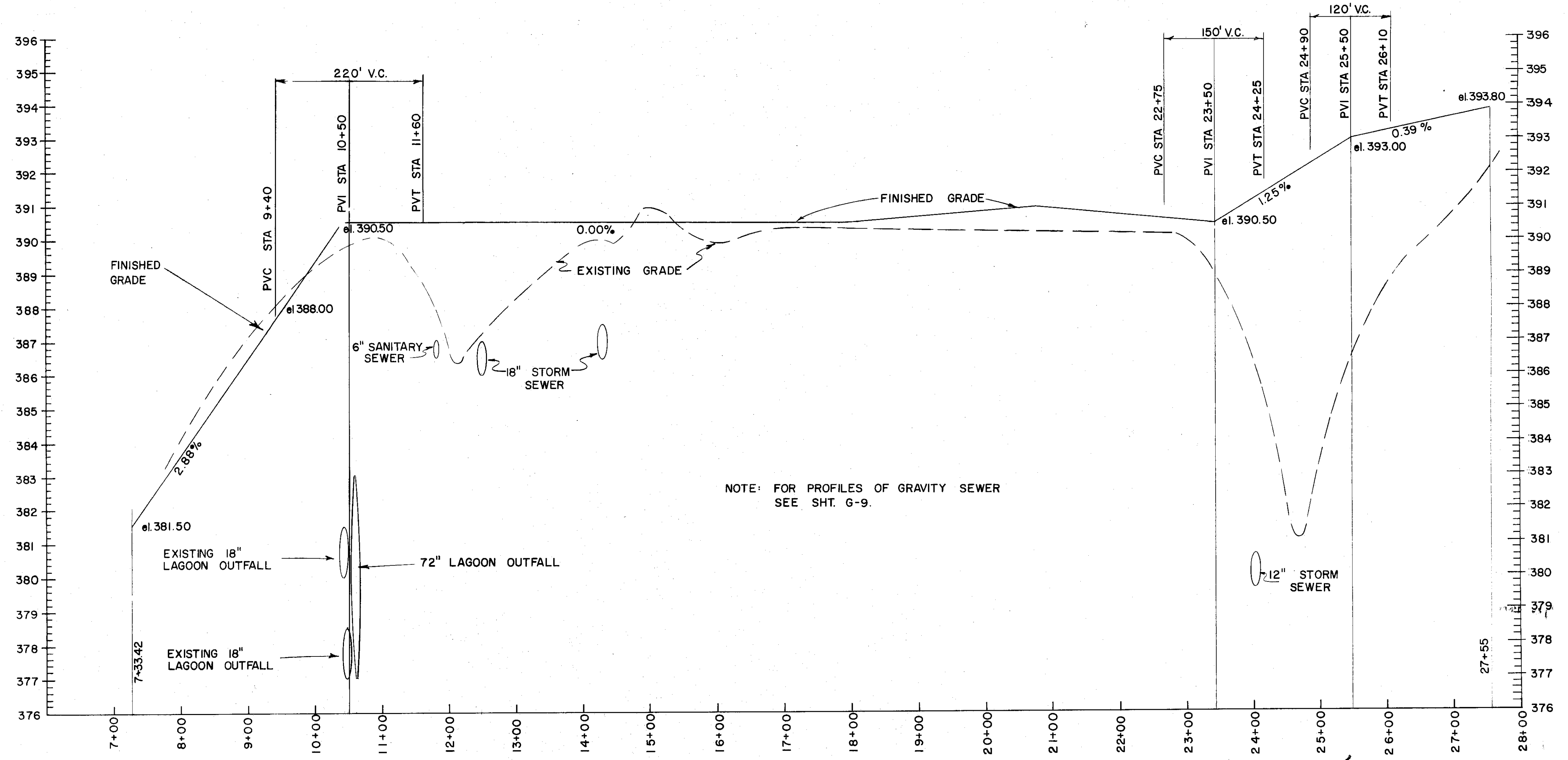


CLAY SANITARY DISTRICT
OAK ORCHARD SERVICE AREA
OAK ORCHARD WATER POLLUTION CONTROL PLANT

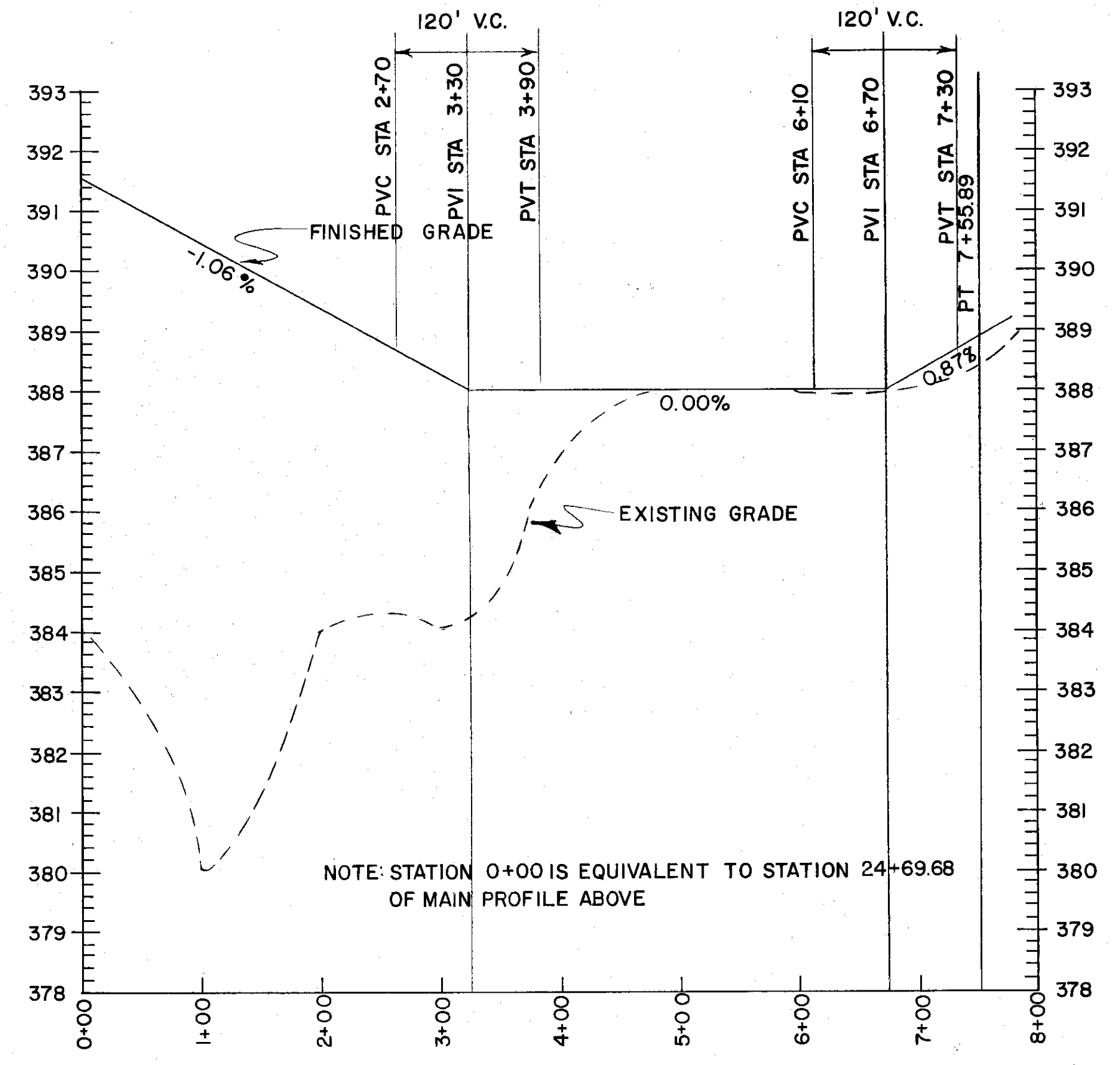
GENERAL
PLANT SITE PLANTING

FILE NO. 115.219-007F	G-5
DATE JULY 1, 1975	

APR



NOTE: FOR PROFILES OF GRAVITY SEWER
SEE SHT. G-9.

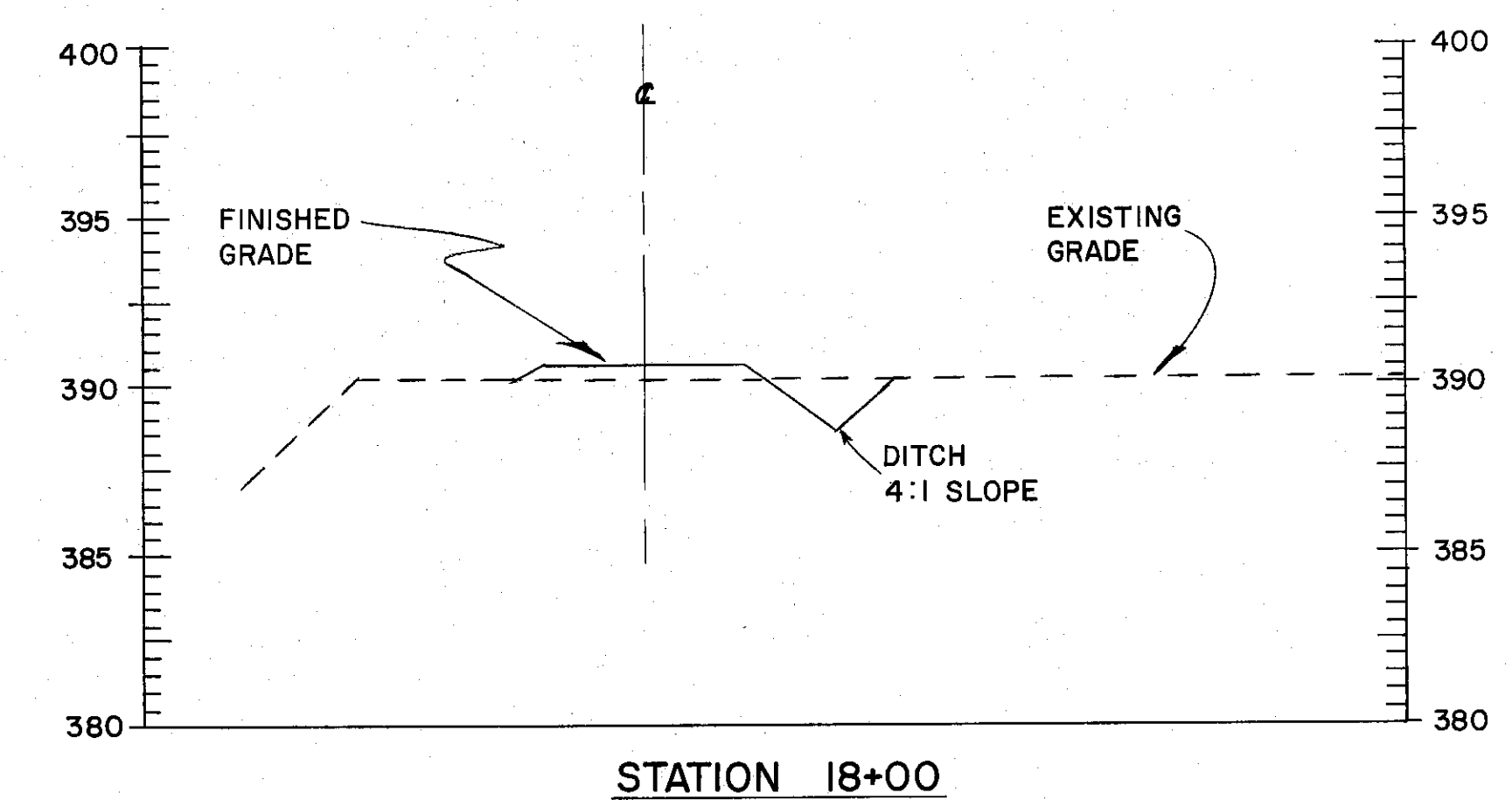


NEW ACCESS ROAD PROFILES

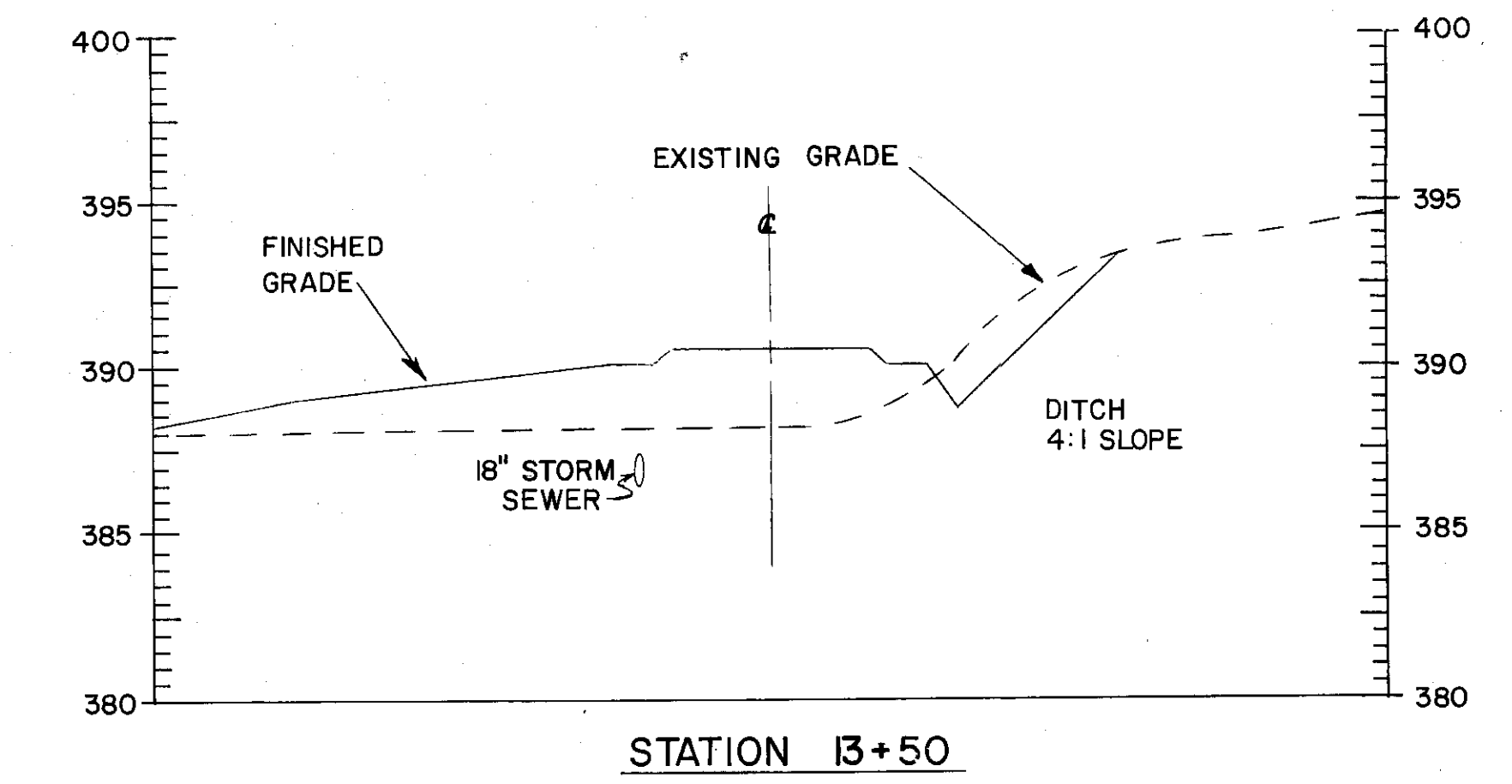
SCALE: HORIZ. 1" = 100'
VERT. 1" = 2'

NEW ACCESS ROAD PROFILES

SCALE: HORIZ. 1" = 100'
VERT. 1" = 2'



STATION 18+00

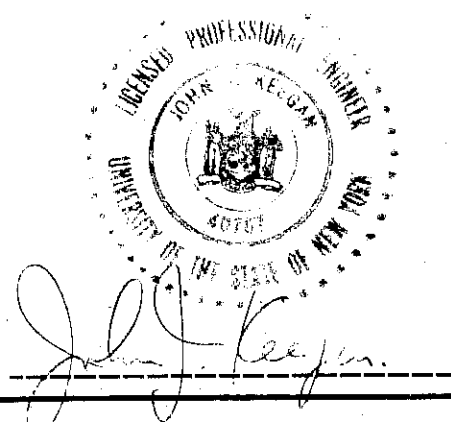


STATION 13+50

NEW ACCESS ROAD SECTIONS

SCALE: HORIZ. 1" = 20'
VERT. 1" = 5'

By: *[Signature]*



In charge of <i>[Signature]</i>	1" = 100'	0	100	200	NO.	DATE	REVISION	INIT.
Designed by <i>GRY</i> Checked by <i>[Signature]</i>	1" = 20'	0	20	40				
Made by <i>R.A.E.</i>	1" = 5'	0	5	10				
	1" = 10'	0	1	2	3	4	5	

O'BRIEN & GERE
ENGINEERS, INC.
Syracuse, New York

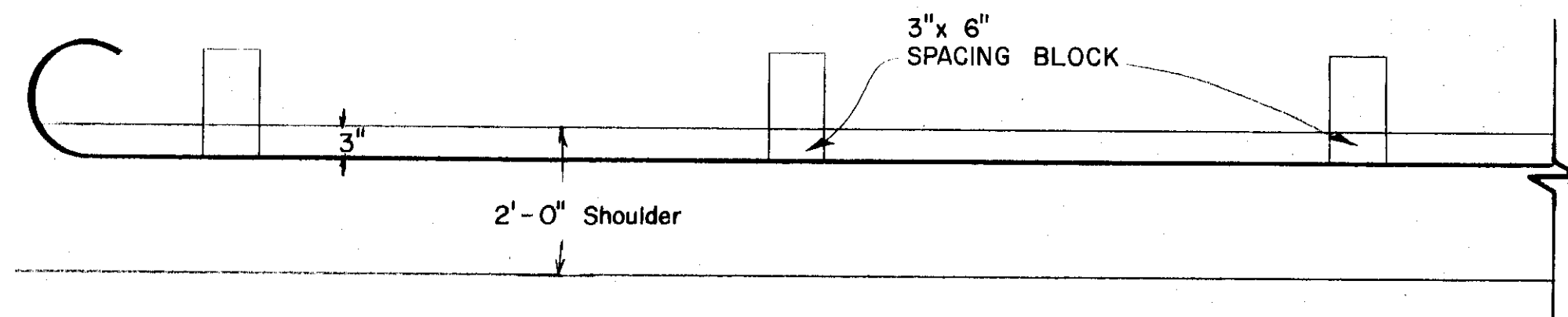
CLAY SANITARY DISTRICT
OAK ORCHARD SERVICE AREA
OAK ORCHARD WATER POLLUTION CONTROL PLANT

GENERAL
ACCESS ROAD PROFILES

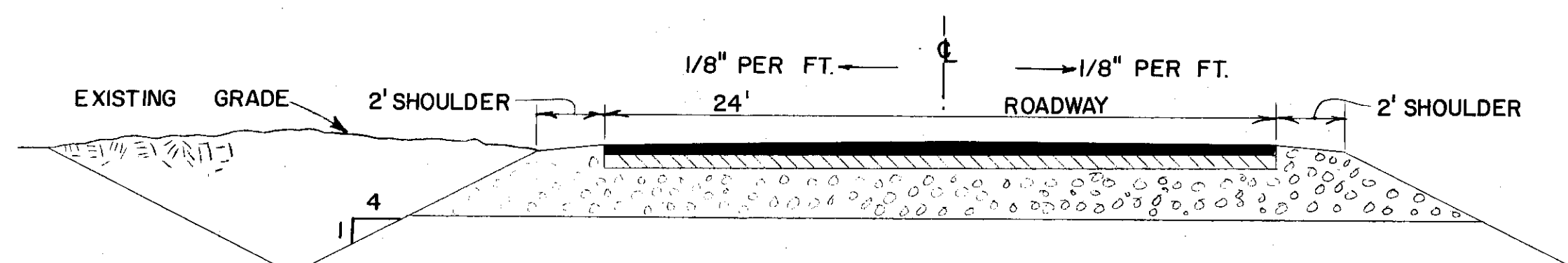
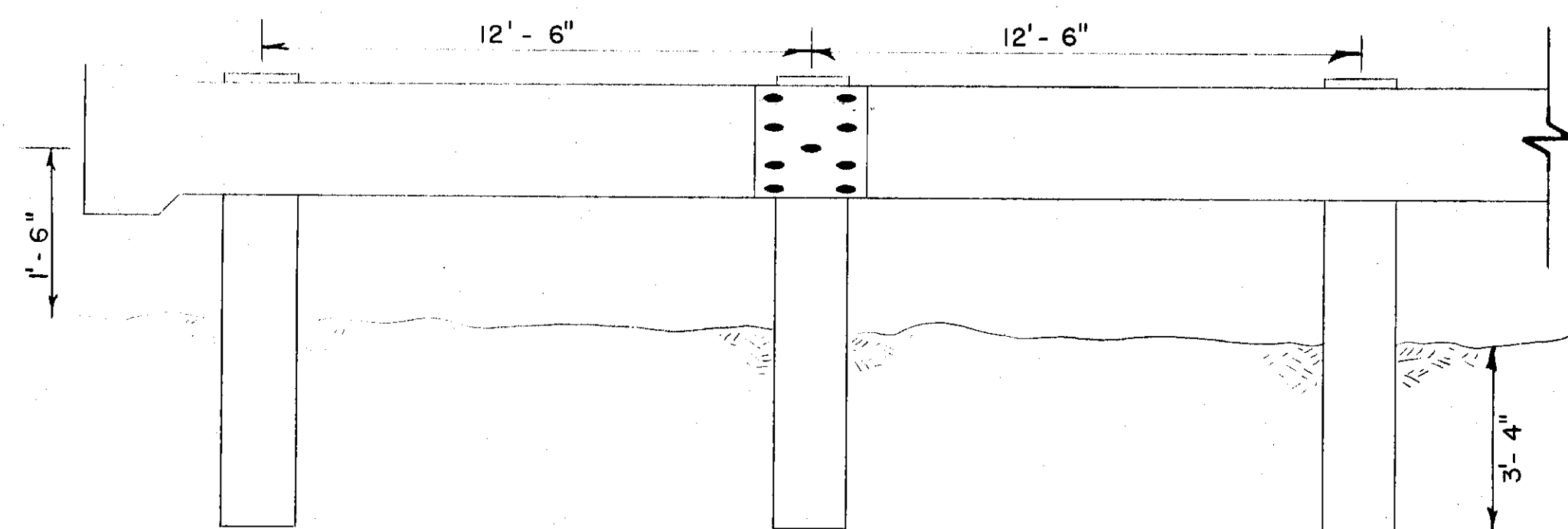
FILE NO.	115.219-008F
DATE	JULY 1, 1975

G-7

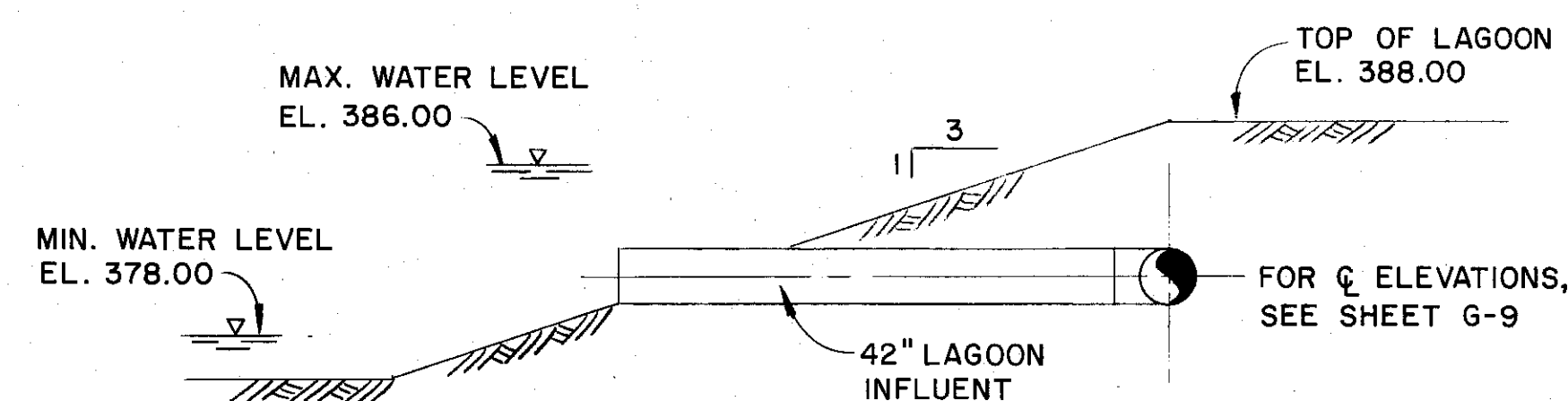
AKB



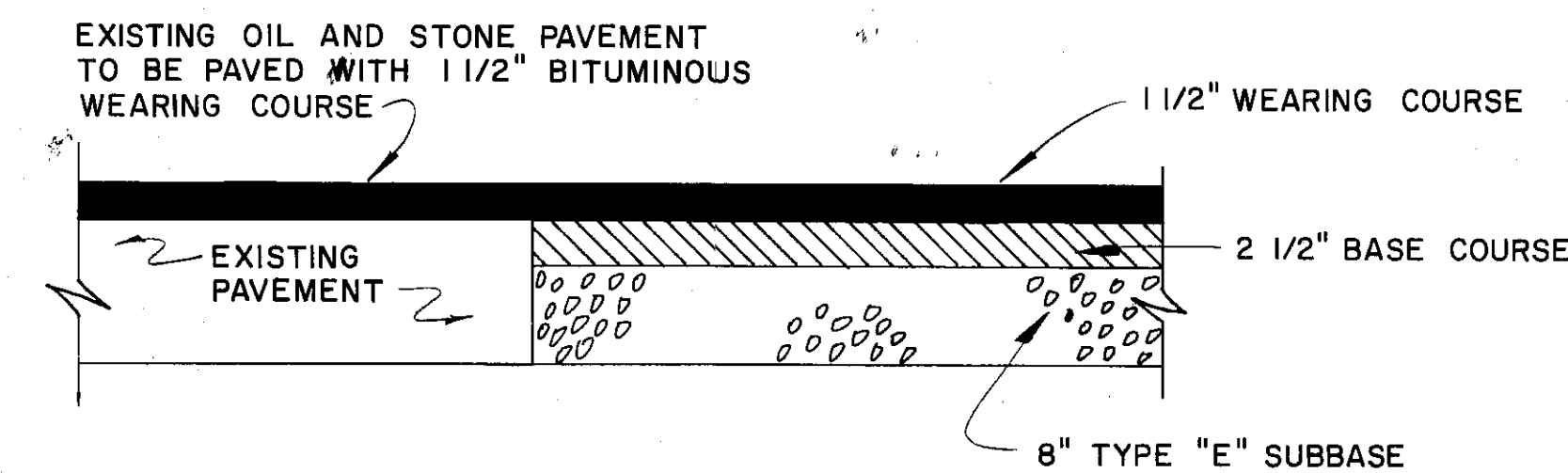
GUARDRAILING
NO SCALE



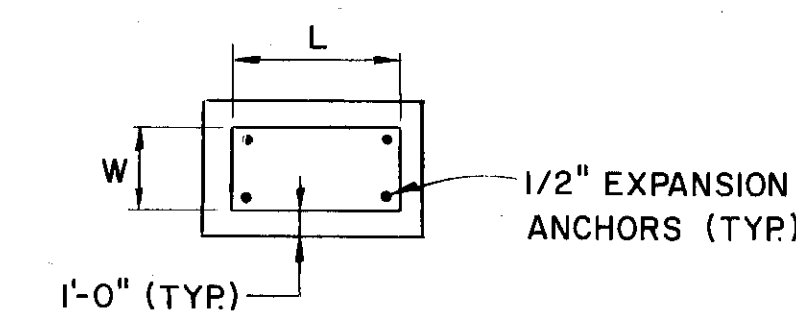
TYPICAL BITUMINOUS CONCRETE ROAD SECTION
NO SCALE



TYPICAL LAGOON INFLUENT DETAIL
NO SCALE

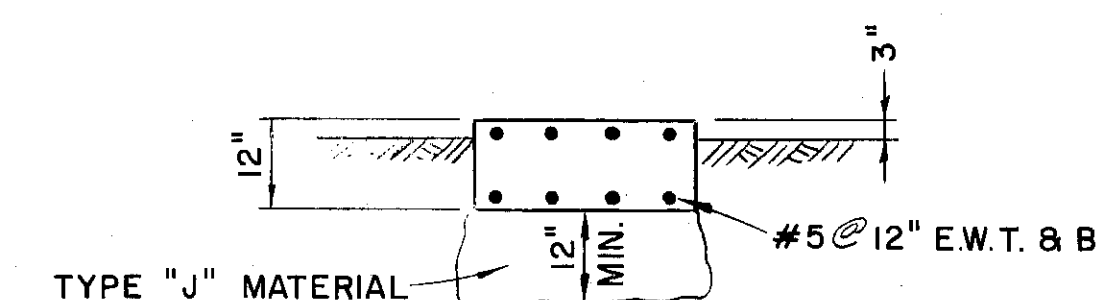


PAVEMENT KEYING DETAIL
NO SCALE



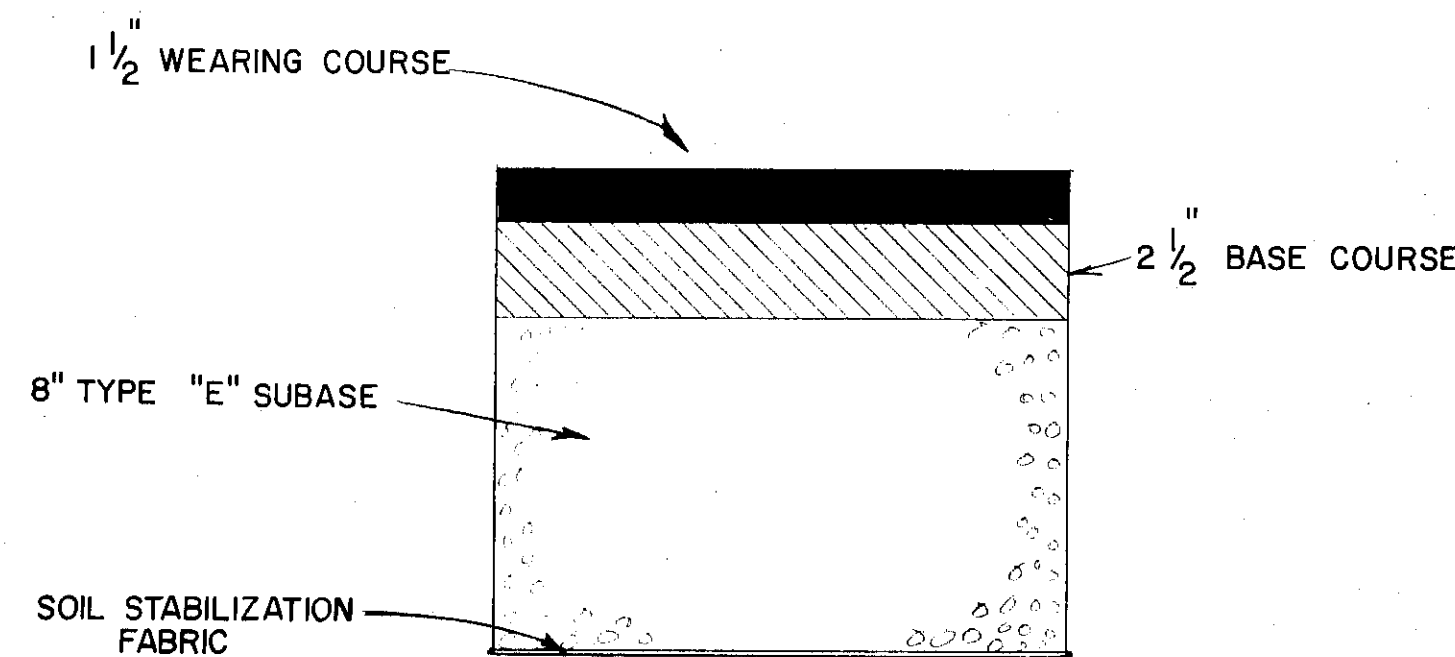
PLAN

NOTE: "L" & "W" DIMENSION TO BE SUPPLIED BY MANUFACTURER.



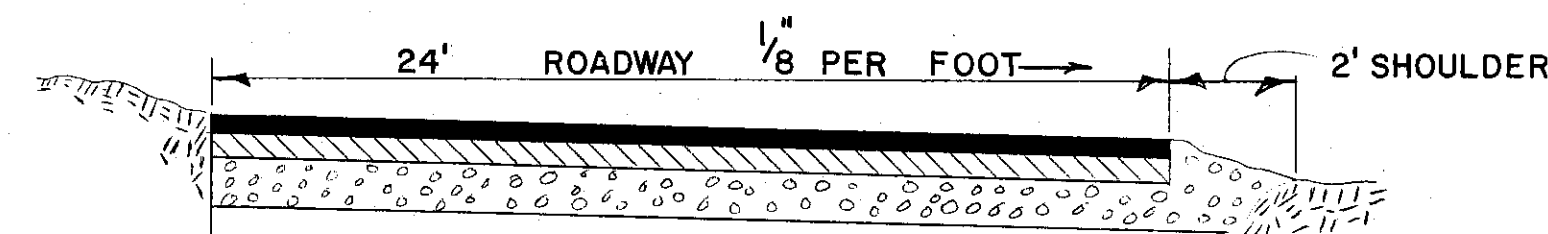
SECTION

GATE OPERATOR FOUNDATION DETAIL
NO SCALE

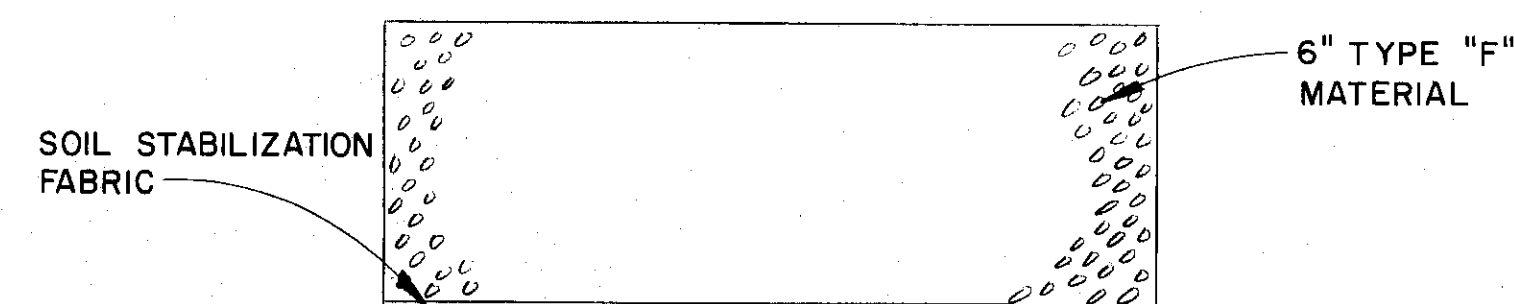


TYPICAL PAVEMENT SECTION
NO SCALE

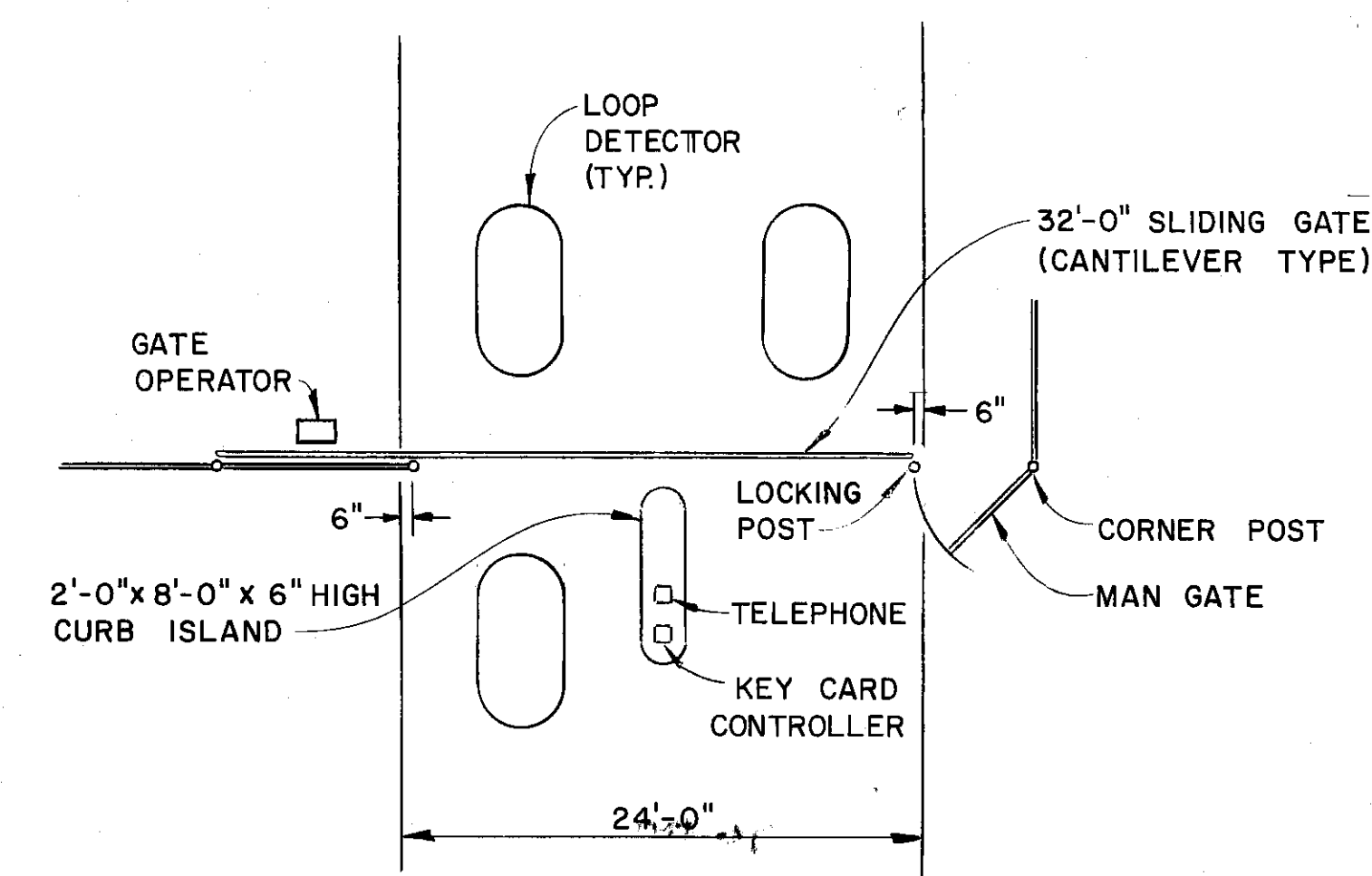
Guardrailing shall comply with New York State Department of Transportation Specification Section 710-20.



SPECIAL ROAD SLOPE DETAIL
NO SCALE

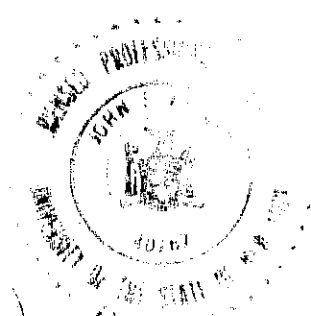


TYPICAL GRAVEL ROAD DETAIL
NO SCALE



SECURITY ENTRANCE GATE DETAIL
NO SCALE

O'BRIEN & GERE ENGINEERS, INC.



In charge of W.P.P.
Designed by GEM Checked by W.P.P.
Made by B.R.F.

NO SCALE

NO.	DATE	REVISION	INIT.
1		General Revisions	W/P
2		General Revisions	W/P

O'BRIEN & GERE ENGINEERS, INC.
Syracuse, New York

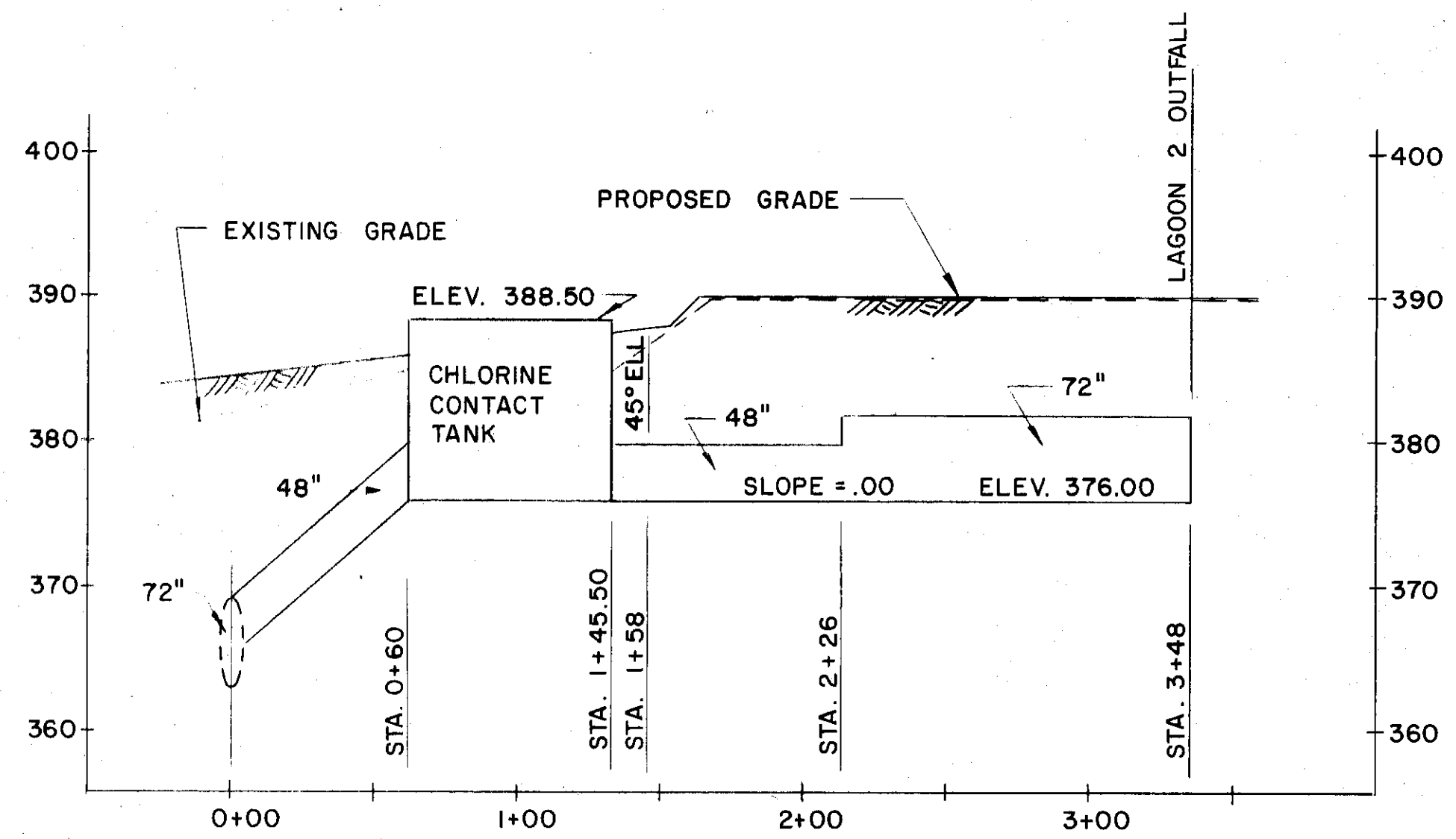
CLAY SANITARY DISTRICT
OAK ORCHARD SERVICE AREA
OAK ORCHARD WATER POLLUTION CONTROL PLANT

GENERAL
ROADWAY DETAILS

FILE NO.
115.219-009F
DATE
JULY 1, 1975

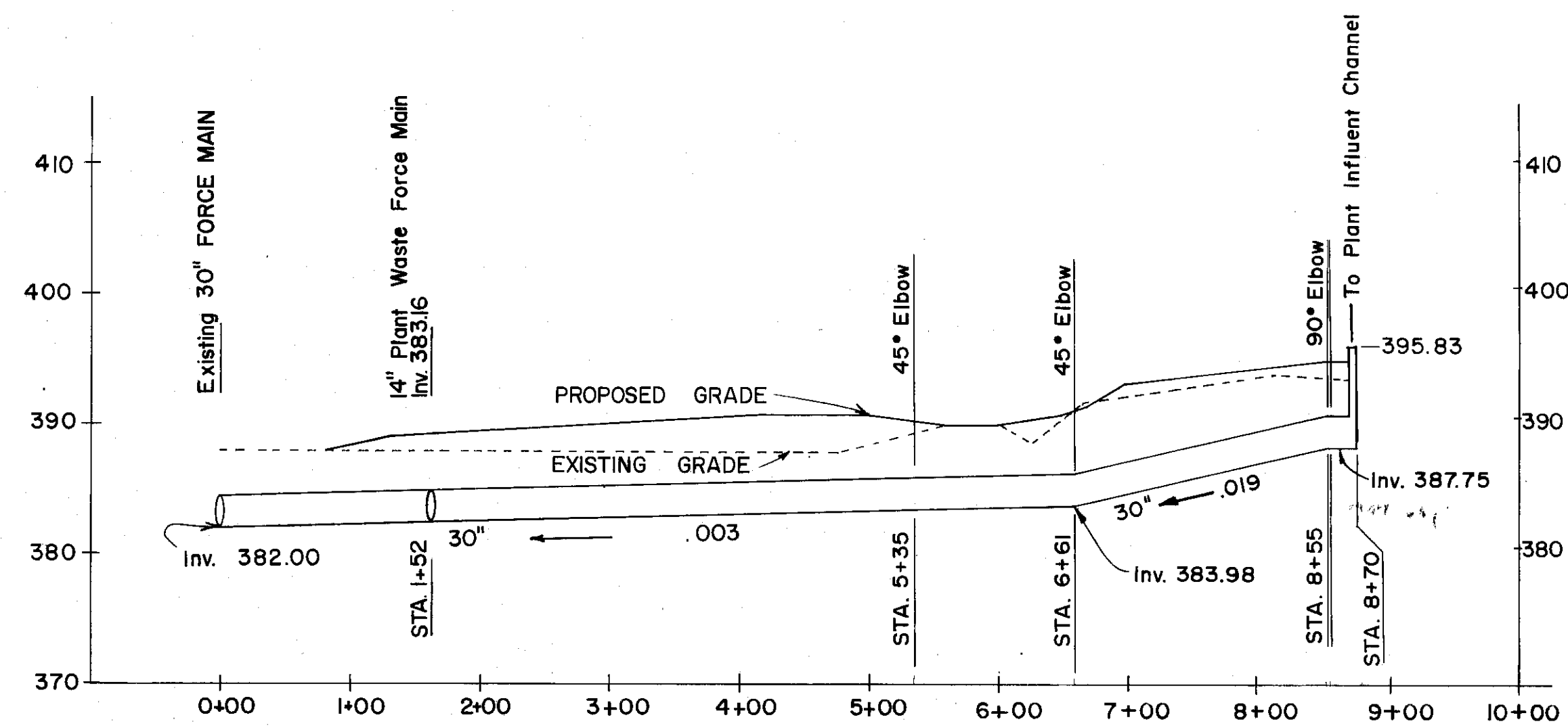
G-8

PAB



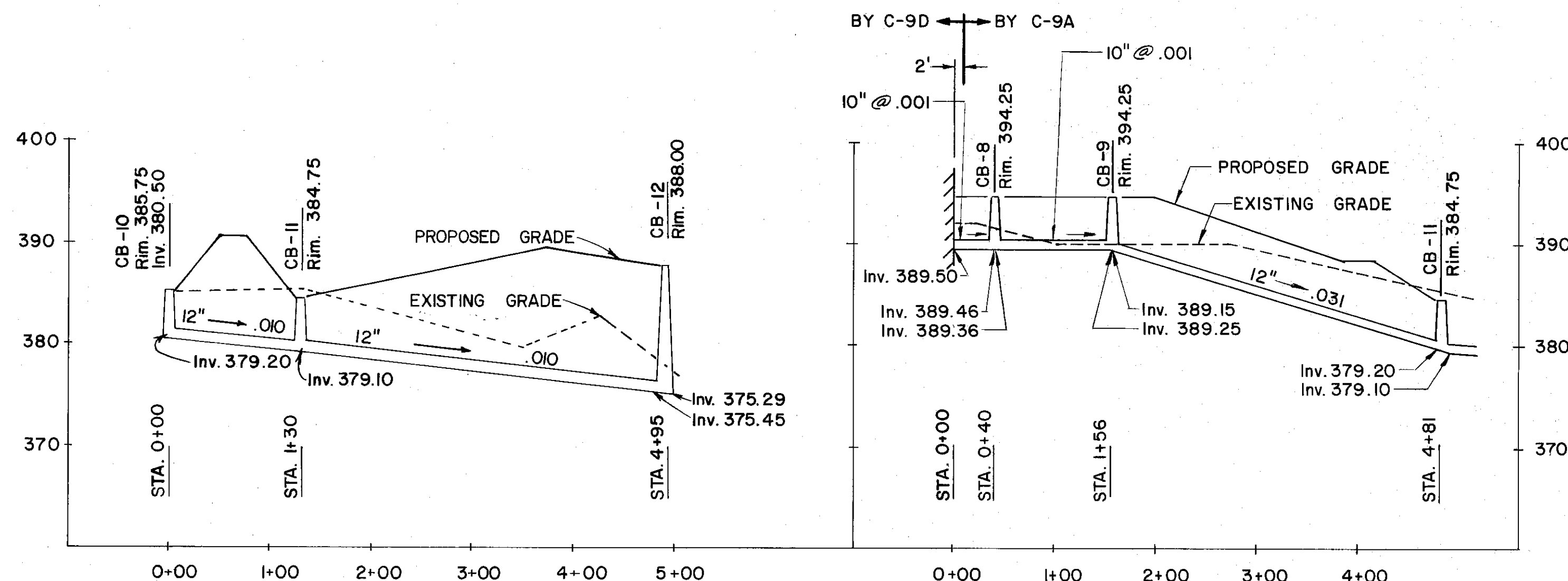
LAGOON OUTFALL TO GRAVITY SEWER PROFILE

SCALE: HORIZ. 1" = 50'
VERT. 1" = 10'



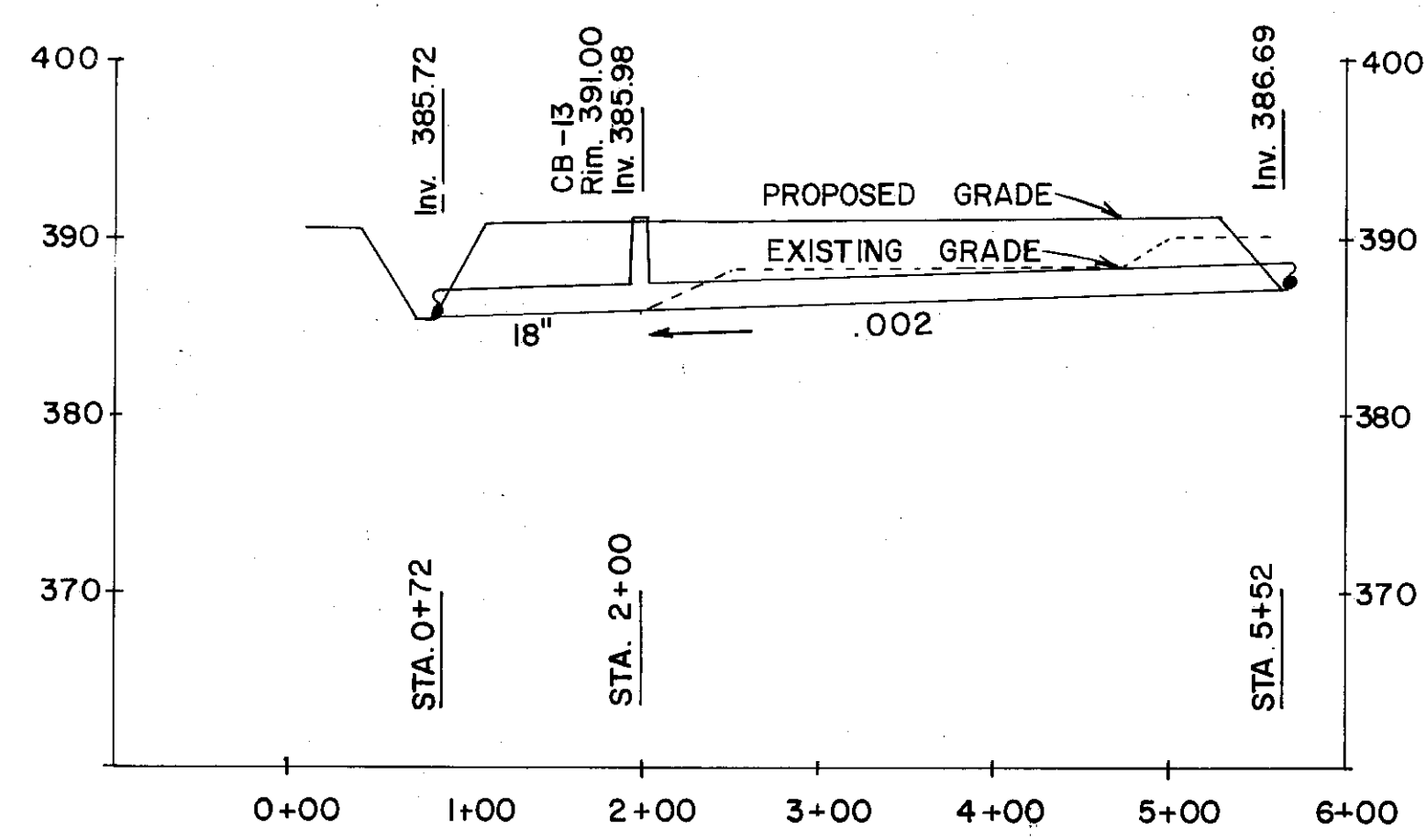
INFLUENT FORCE MAIN PROFILE

SCALE: HORIZ. 1" = 100'
VERT. 1" = 10'



STORM SEWER PROFILE SOUTH END OF SITE

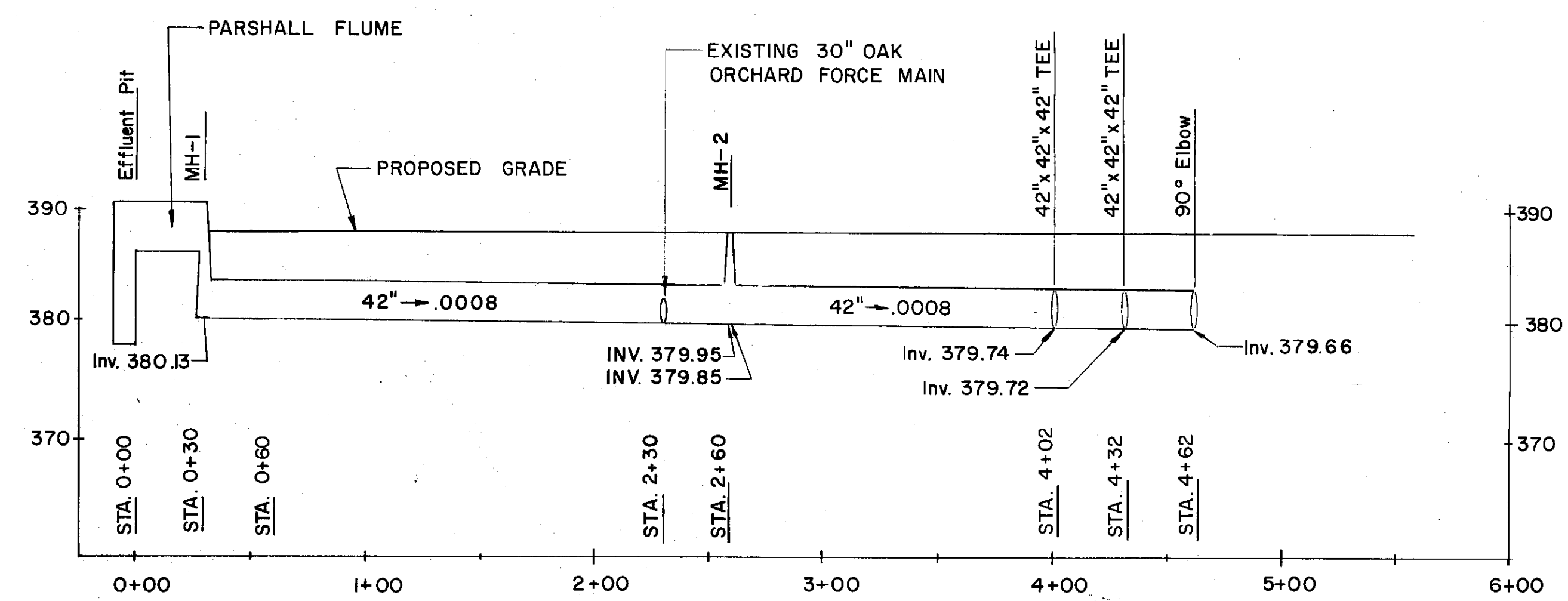
SCALE: HORIZ. 1" = 100'
VERT. 1" = 10'



STORM SEWER PROFILE NORTH END OF SITE

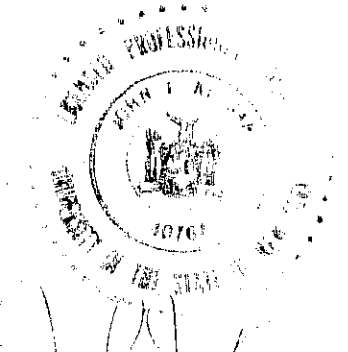
SCALE: HORIZ. 1" = 100'
VERT. 1" = 10'

10" Storm Sewer Between Pipe Gallery And C.B. To Be 10" Cast Iron w/ Bell & Spigot Joints. All Other Storm Sewers To Be CMP.



LAGOON INFLUENT

SCALE: HORIZ. 1" = 50'
VERT. 1" = 10'



In charge of	1" = 10'	10	0	10	20	NO.	DATE	REVISION	INIT.
Designed by	1" = 50'	50	0	50	100	1/30/78	General Revisions		
Made by	1" = 100'	100	0	100	200	5/1/78	General Revisions		
						8-26	Proposed Storm Sewer For MHE to MHE		



CLAY SANITARY DISTRICT
OAK ORCHARD SERVICE AREA
OAK ORCHARD WATER POLLUTION CONTROL PLANT

GENERAL
OUTSIDE PIPING PROFILES

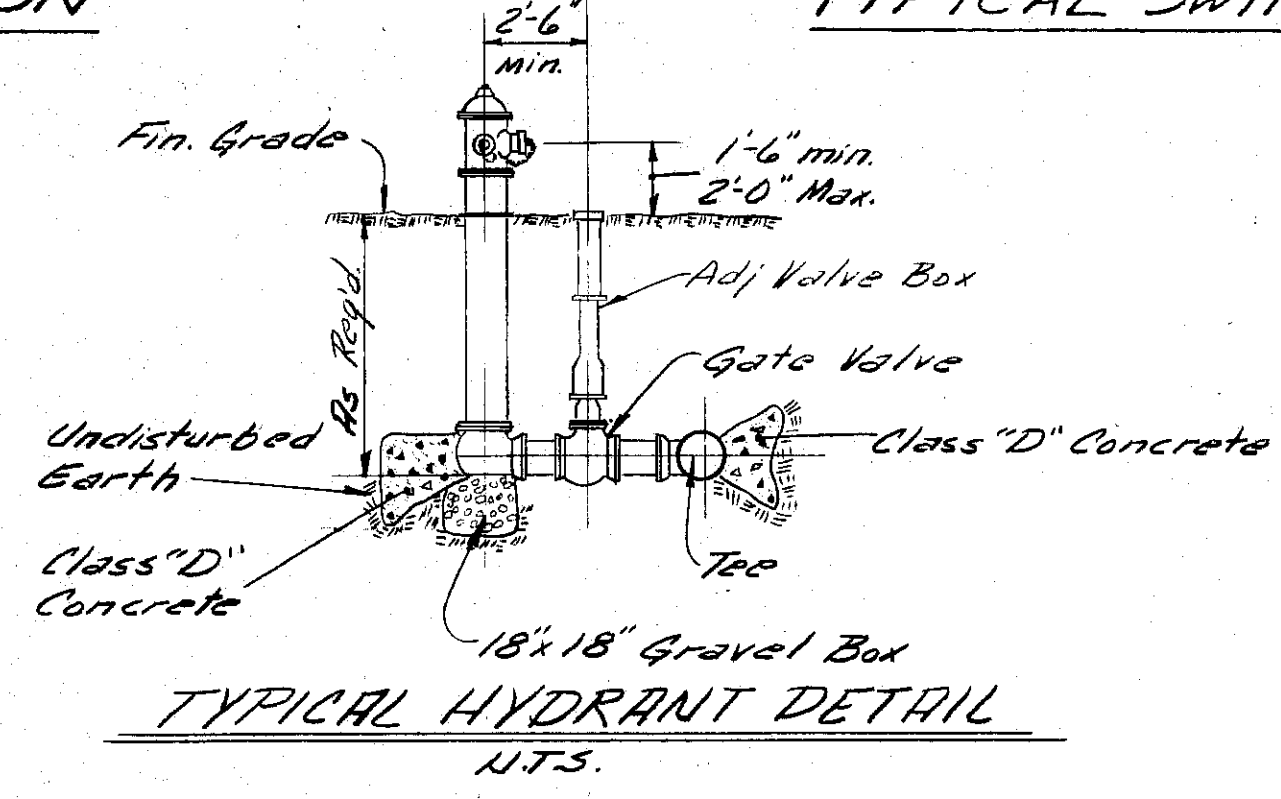
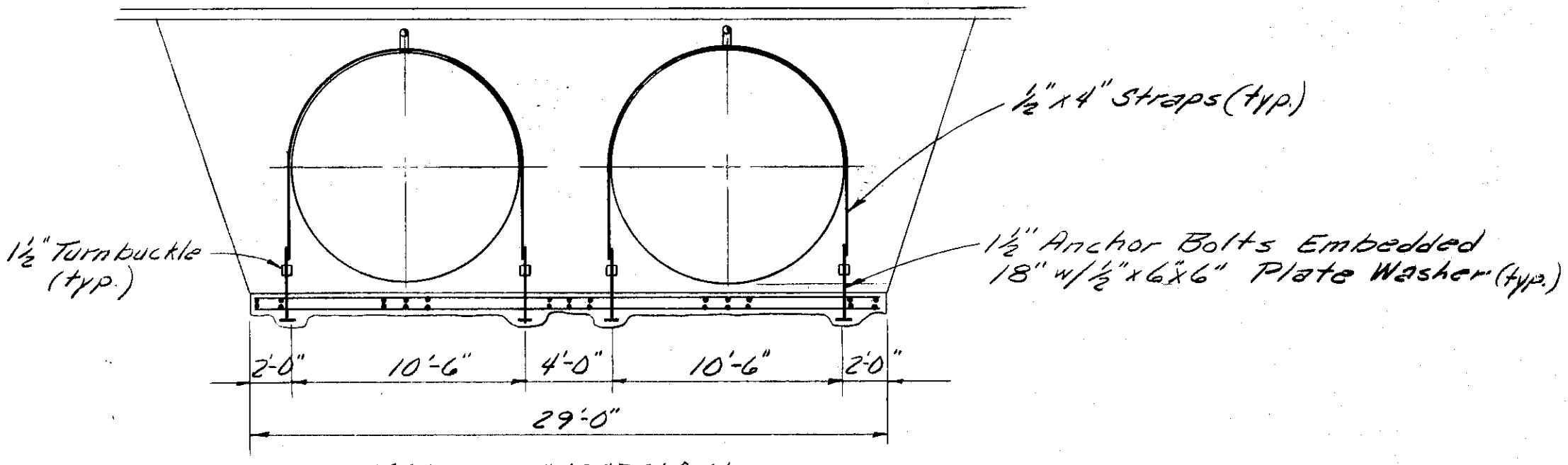
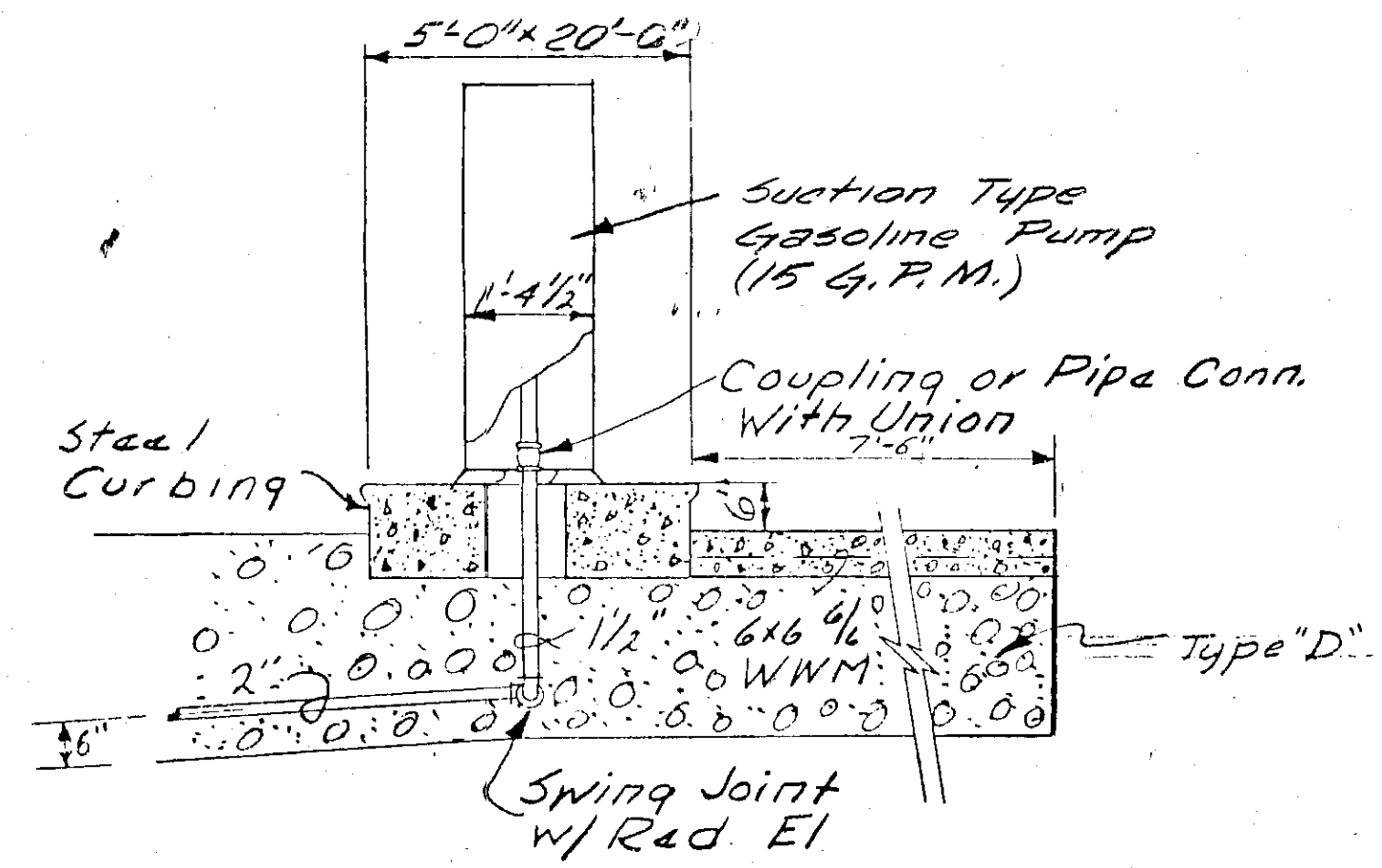
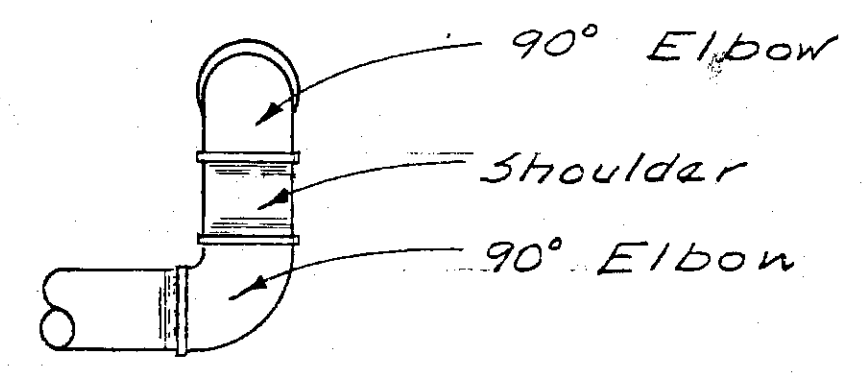
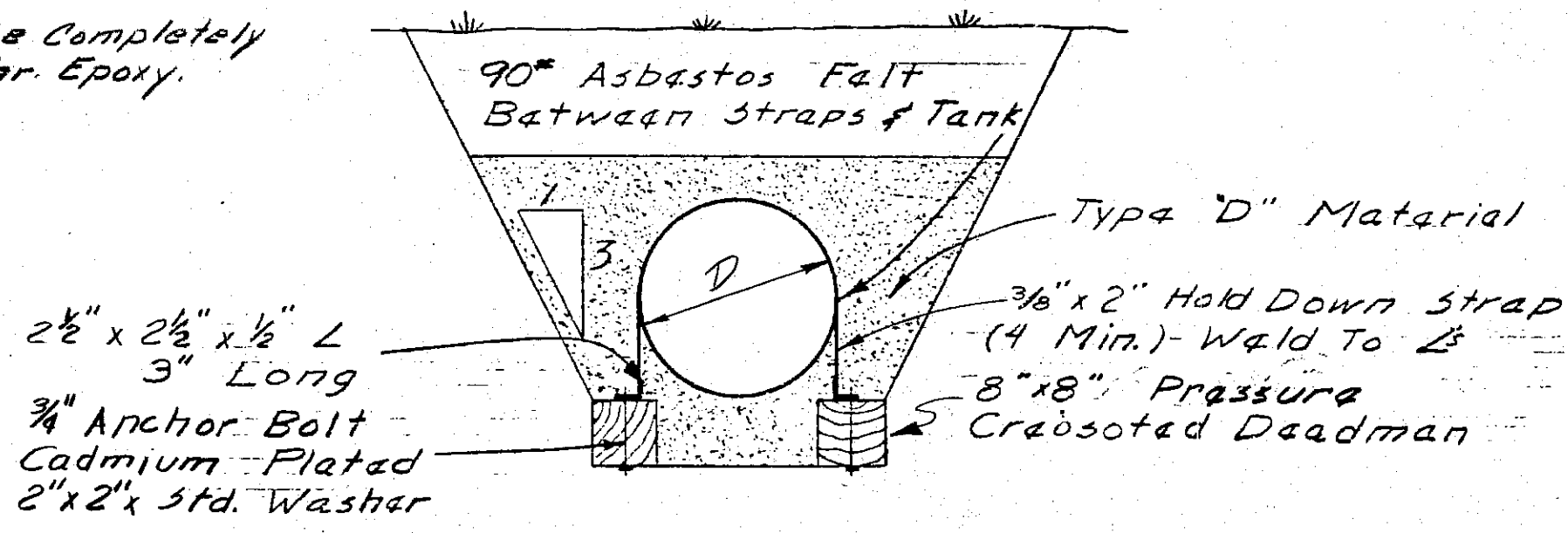
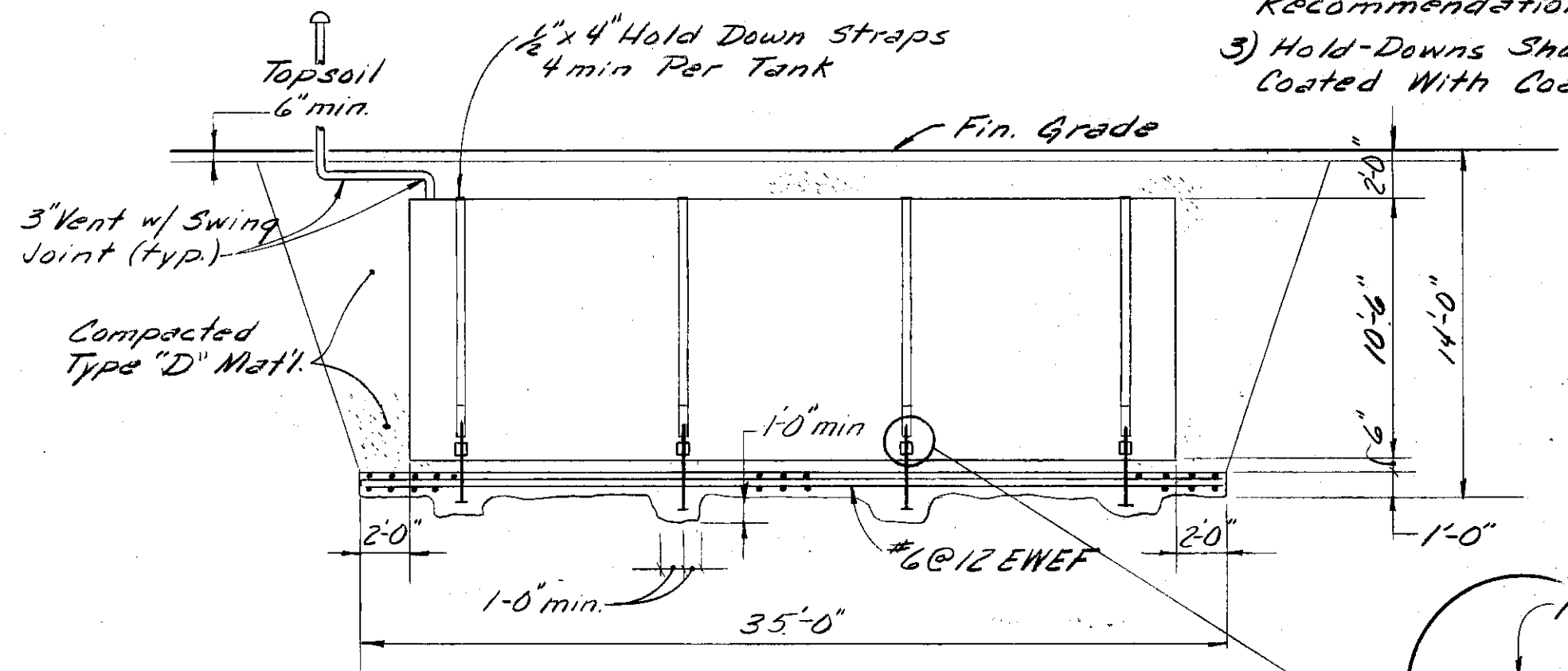
FILE NO.
115.219-010F
DATE
JULY 1, 1975

G-9

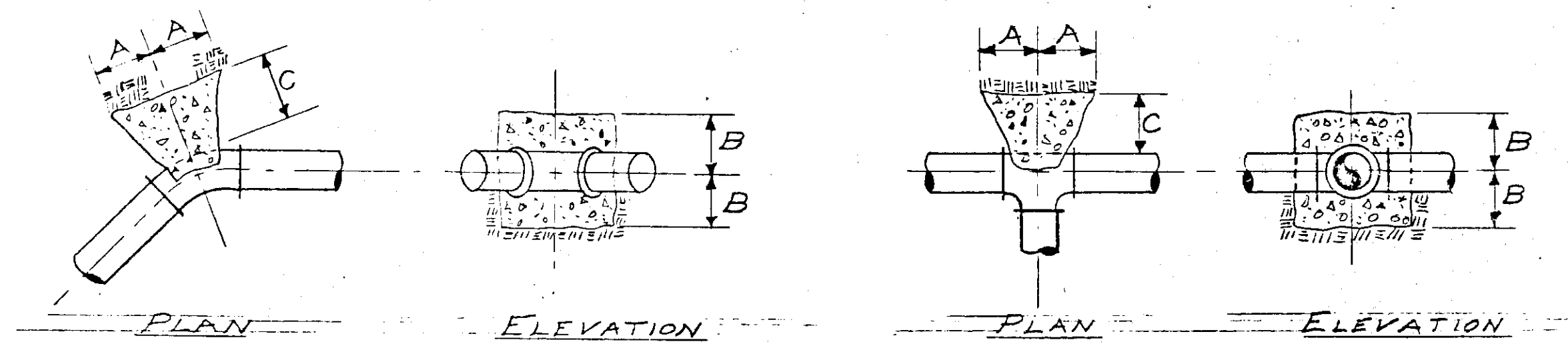
ALL WORK TO BE DONE IN ACCORDANCE WITH THE SPECIFICATIONS AND CONTRACT DOCUMENTS. THE CONTRACTOR SHALL BE RESPONSIBLE FOR OBTAINING ALL NECESSARY PERMITS AND APPROVALS. THE CONTRACTOR SHALL MAINTAIN ACCESS TO ALL ADJACENT PROPERTIES AT ALL TIMES. THE CONTRACTOR SHALL BE RESPONSIBLE FOR PROTECTING ALL EXISTING UTILITIES AND STRUCTURES. THE CONTRACTOR SHALL MAINTAIN A RECORD OF ALL WORK DONE AND SHALL SUBMIT A FINAL AS-BUILT DRAWING TO THE ENGINEER UPON COMPLETION OF THE PROJECT.

- NOTE: 1) Hold-Downs Shown Are The Minimum Required.
 2) Coordinate Hold-Down Size & Spacing With Tank Mfg. Recommendation.
 3) Hold-Downs Shall Be Completely Coated With Coal Tar Epoxy.

- 4) 2" Suction & Return Line w/ Swing Joint Required For Each Tank.
 5) 3" Fill Pipe Similar To Gasoline Storage Tank Req'd For Each Fuel Oil Tank.

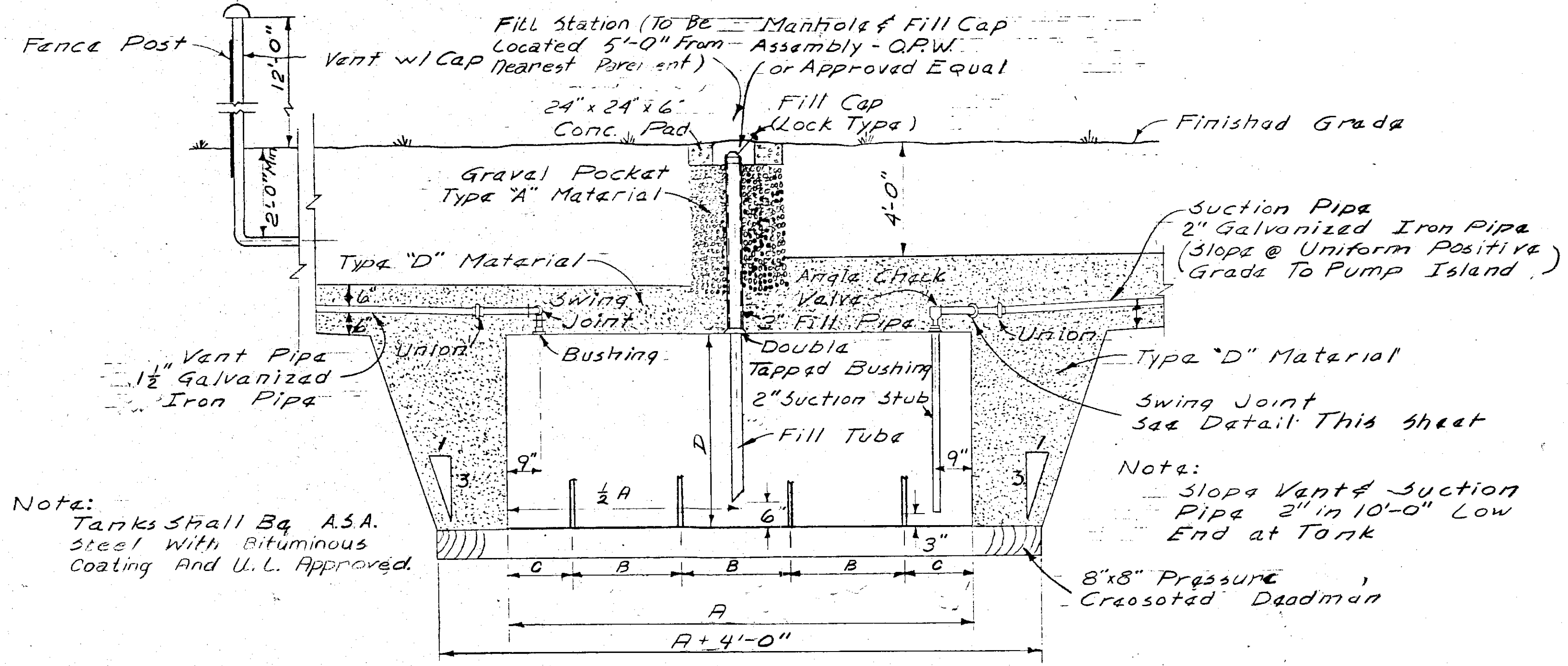


FUEL OIL STORAGE TANK DETAILS



SIZE	14"			8"			6"			4"		
	A	B	C	A	B	C	A	B	C	A	B	C
90° Bend	2'-0"	2'-0"	2'-0"	2'-0"	2'-0"	2'-0"	1'-6"	1'-6"	1'-6"	1'-0"	1'-0"	1'-0"
45° Bend	1'-6"	1'-6"	1'-6"	1'-6"	1'-6"	1'-6"	1'-2"	1'-2"	1'-2"	0'-9"	0'-9"	0'-9"
Tee	1'-8"	1'-8"	1'-8"	1'-8"	1'-8"	1'-8"	1'-3"	1'-3"	1'-3"	1'-0"	1'-0"	1'-0"

THRUST BLOCK DETAILS
 No scale



GASOLINE STORAGE TANK DETAIL
 No scale

RECORD DRAWINGS
 To the best of our knowledge, information and belief, these record drawings substantially represent the project as constructed.
 O'BRIEN & GERE ENGINEERS, INC.
 By: [Signature]

FUEL TYPE	NO. REQ'D	CAPACITY	A	B	C	D
GASOLINE	1	2,000 Gal.	12'-0"	3'-0"	1'-6"	5'-4"
LOW-LEAD	1	2,000 Gal.	12'-0"	3'-0"	1'-6"	5'-4"
DIESEL	1	2,000 Gal.	12'-0"	3'-0"	1'-6"	5'-4"
FUEL OIL #1	1	20,000 Gal.	31'-0"	7'-0"	5'-0"	10'-6"
FUEL OIL #2	1	15,000 Gal.	23'-3"	6'-0"	2'-6"	10'-6"



In charge of WSP
 Designed by GRM Checked by WSP
 Made by RAE

NO SCALE

NO.	DATE	REVISION	INIT.
		General Revisions	
		General Revisions	

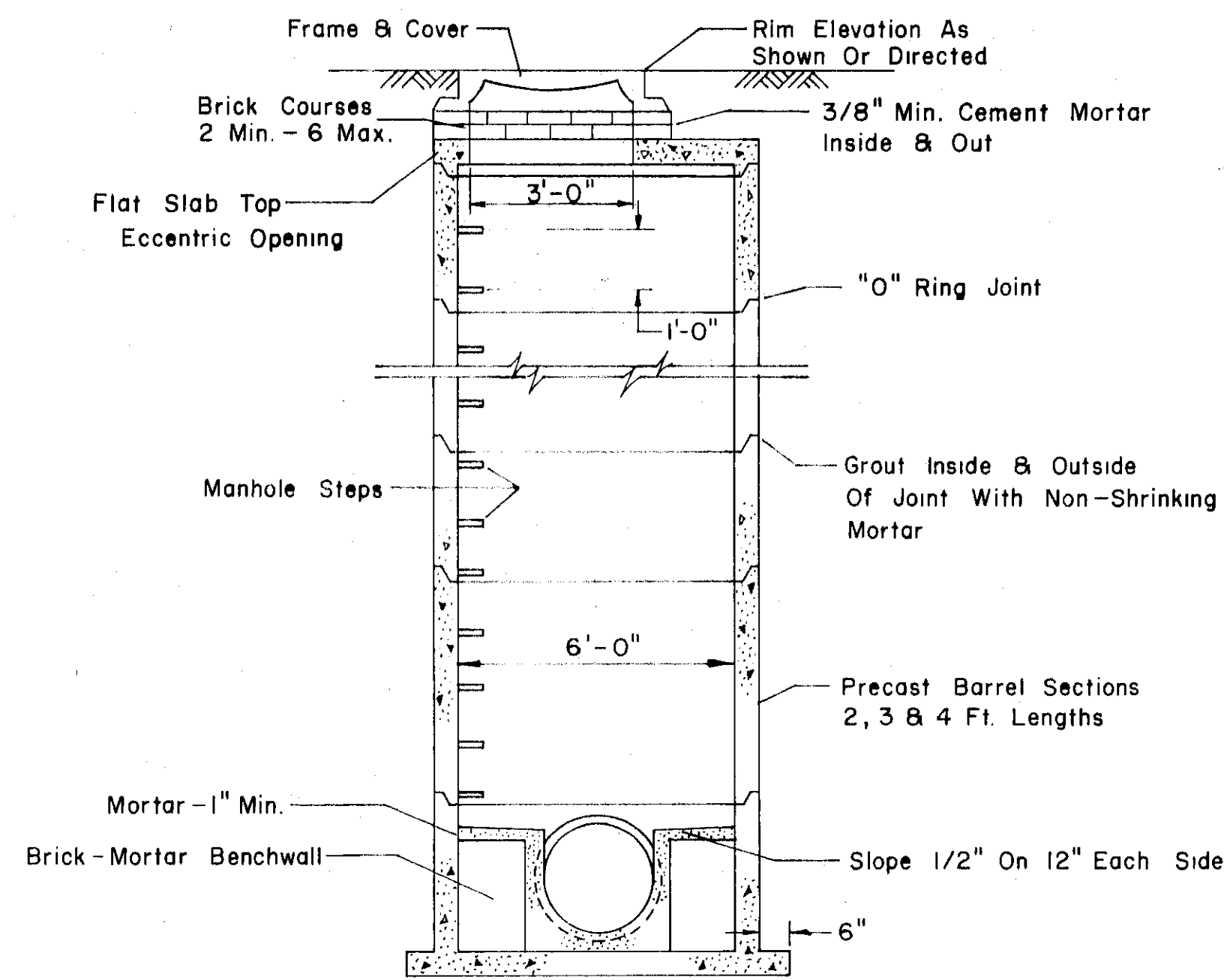
O'BRIEN & GERE ENGINEERS, INC.
 Syracuse, New York

CLAY SANITARY DISTRICT
 OAK ORCHARD SERVICE AREA
 OAK ORCHARD WATER POLLUTION CONTROL PLANT

GENERAL
 MISCELLANEOUS DETAILS

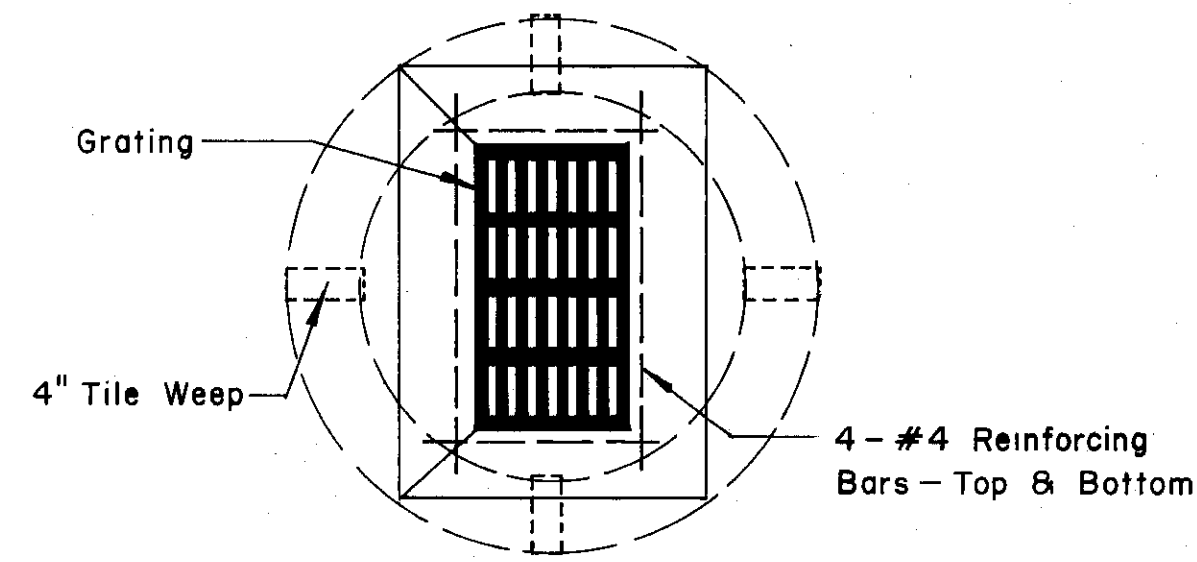
FILE NO. 115.219-011F
 DATE JULY 1, 1975
 G-10

AB

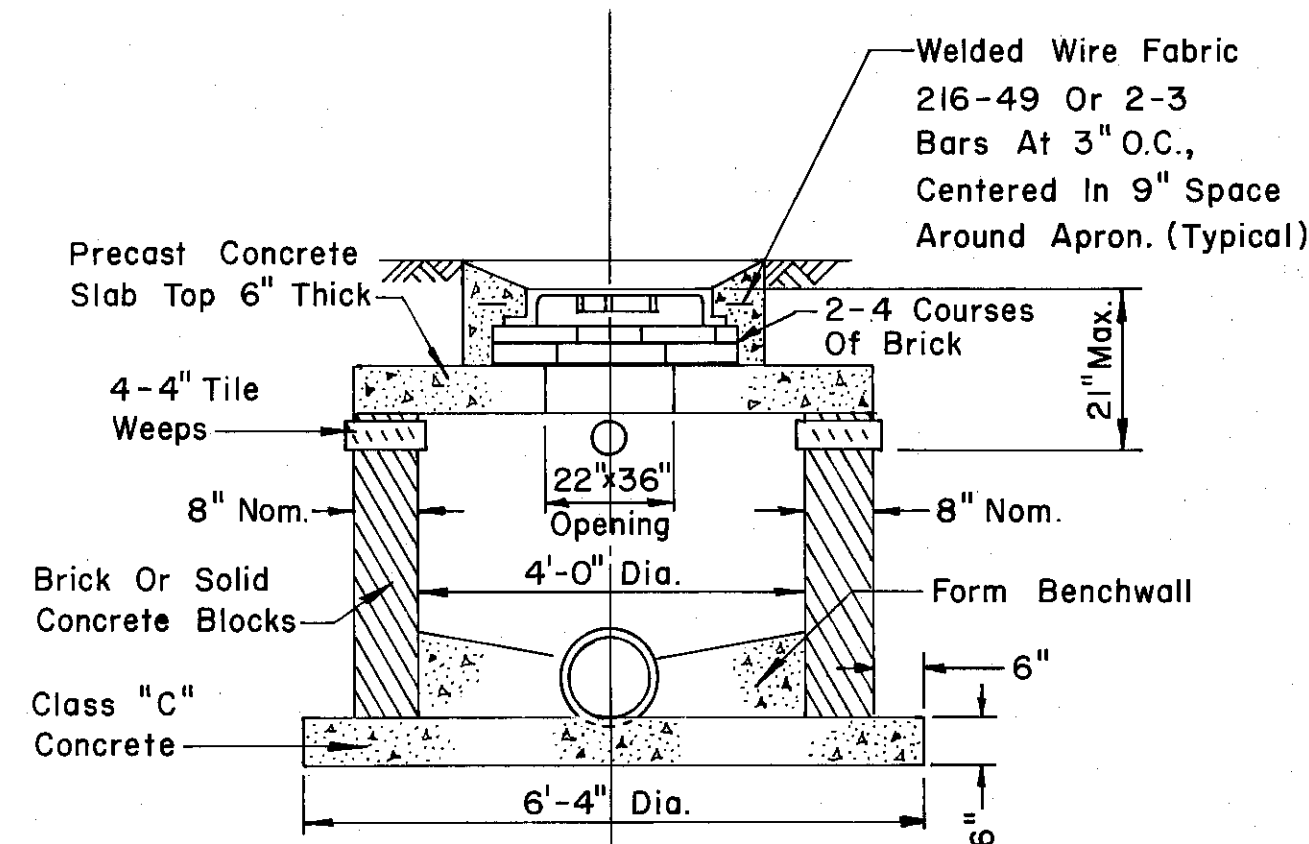


**TYPE "H" STANDARD
PRECAST CONCRETE MANHOLE**

NO SCALE



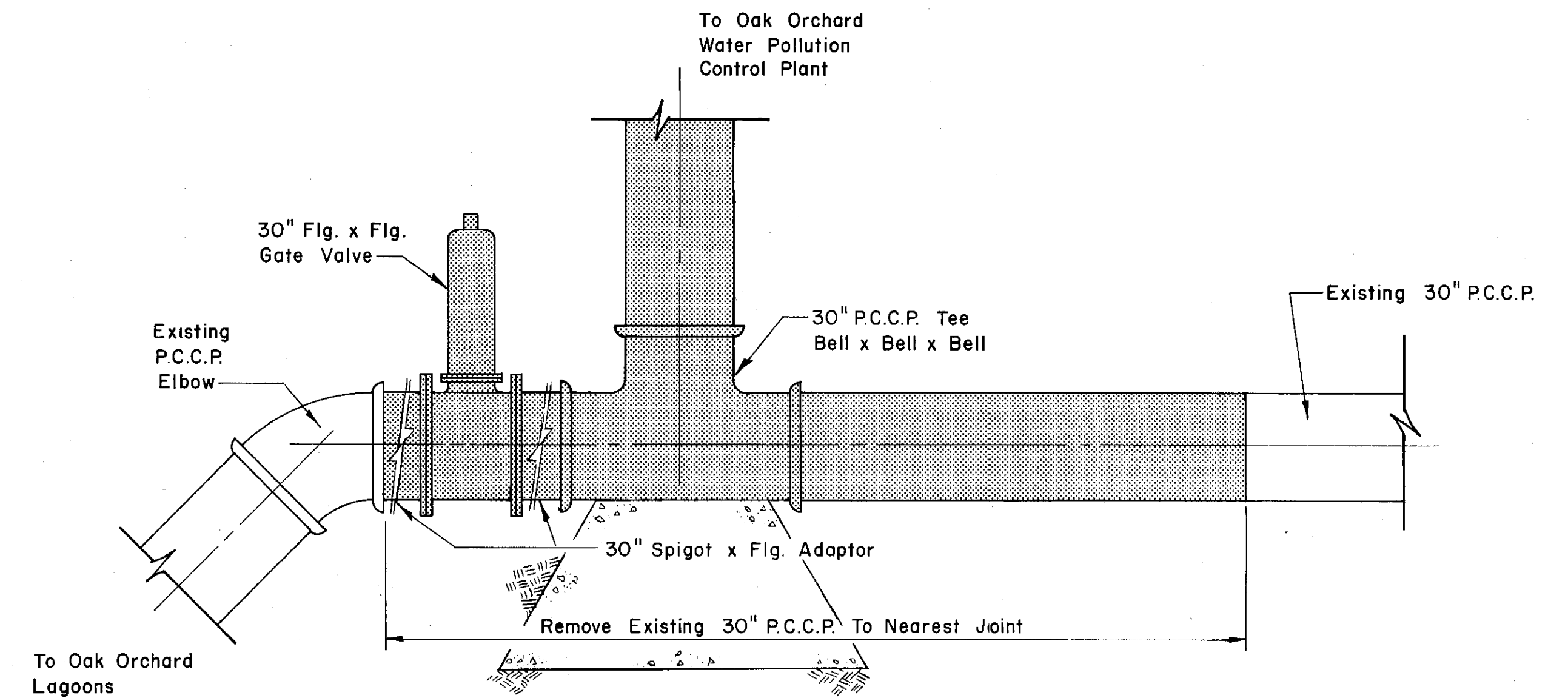
TOP VIEW



SIDE VIEW

TYPICAL CATCH BASIN DETAIL

NO SCALE

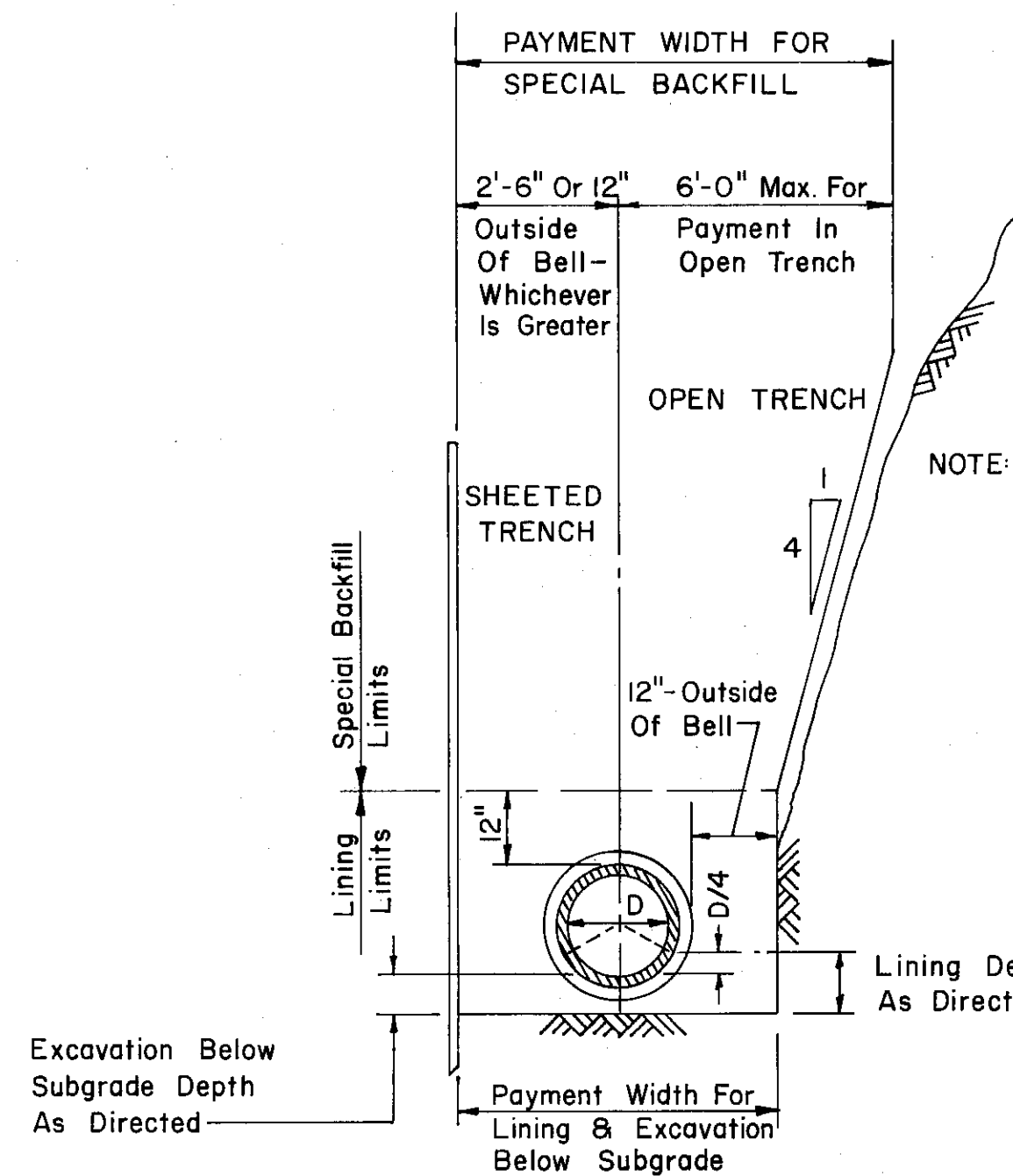


"Gate Valve To Be Horizontally Mounted And Provided With Bevel Gearing And Graasa Casa. No Integral Bypass Need Be Provided. Provide Valve Box With Locking Cap As Shown On Drawing AD-10."

— New Piping
— Existing Piping

CONNECTION TO OAK ORCHARD FORCE MAIN

NO SCALE

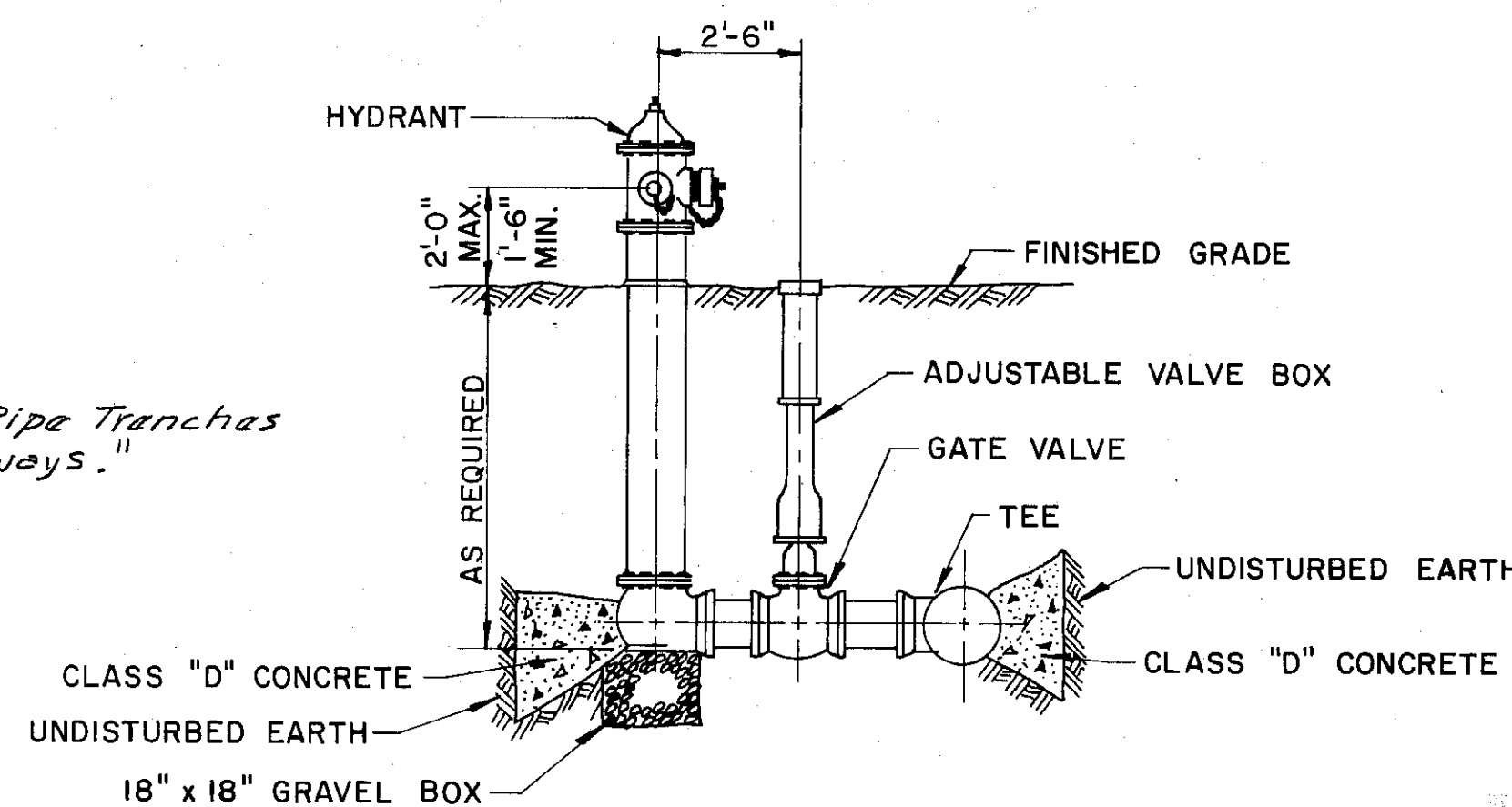


NOTE: Quantity Of Special Granular Materials For Which Payment Will Be Made, Will Be Computed By Using The Product Of The Depth As Directed And The "Payment Width" As Shown On This Detail Without Regard To Actual Dimensions And Quantities. Where Trench Sides Are Steeper Than 4 On 1, "Payment Width" Used Will Be Actual Width Up To 6'-0" Max.

"Provide Type 'F' Special Backfill In Pipe Trenches Beneath Existing Or Proposed Roadways."

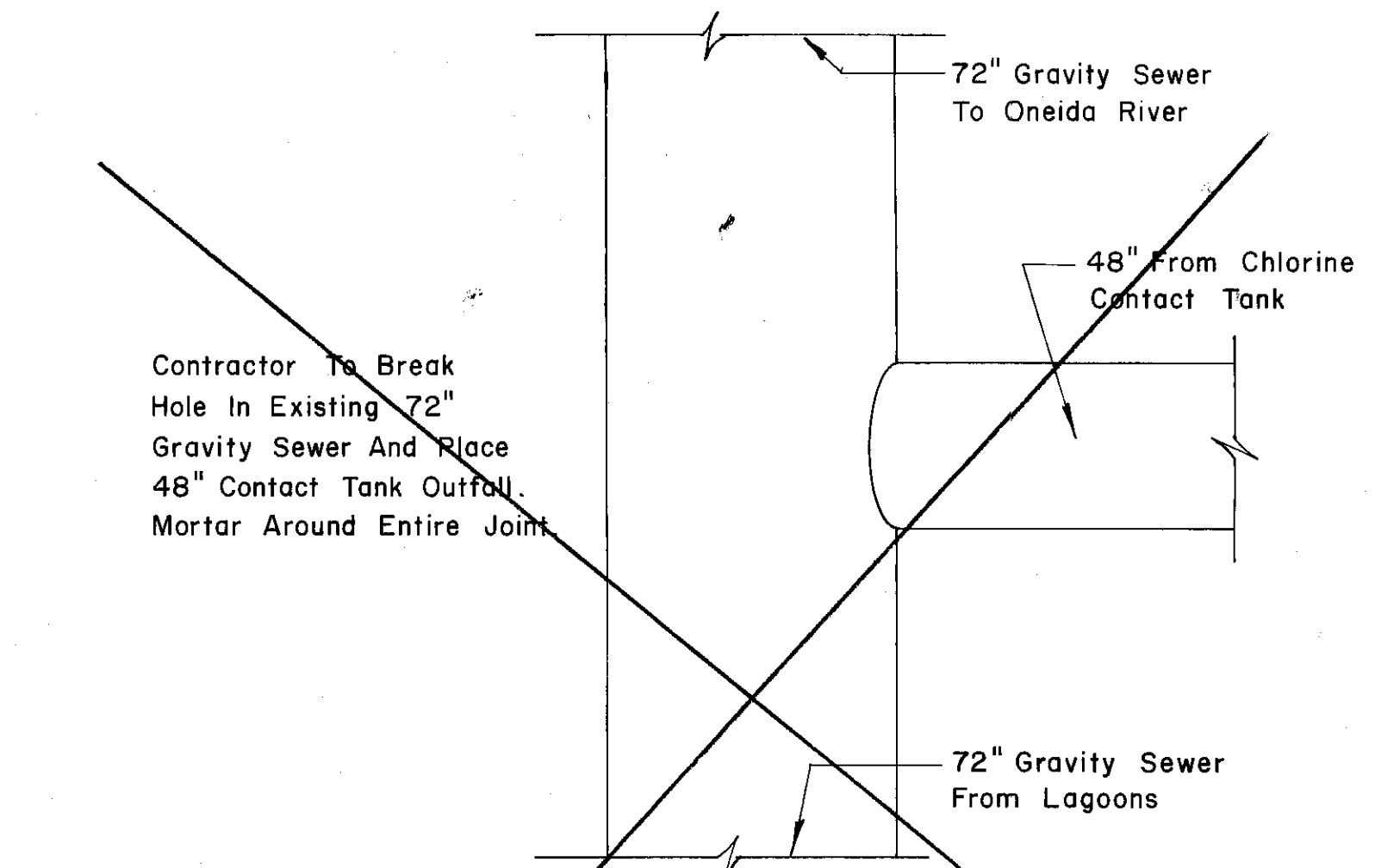
**PAYMENT LIMITS FOR
SPECIAL GRANULAR MATERIALS**

NO SCALE



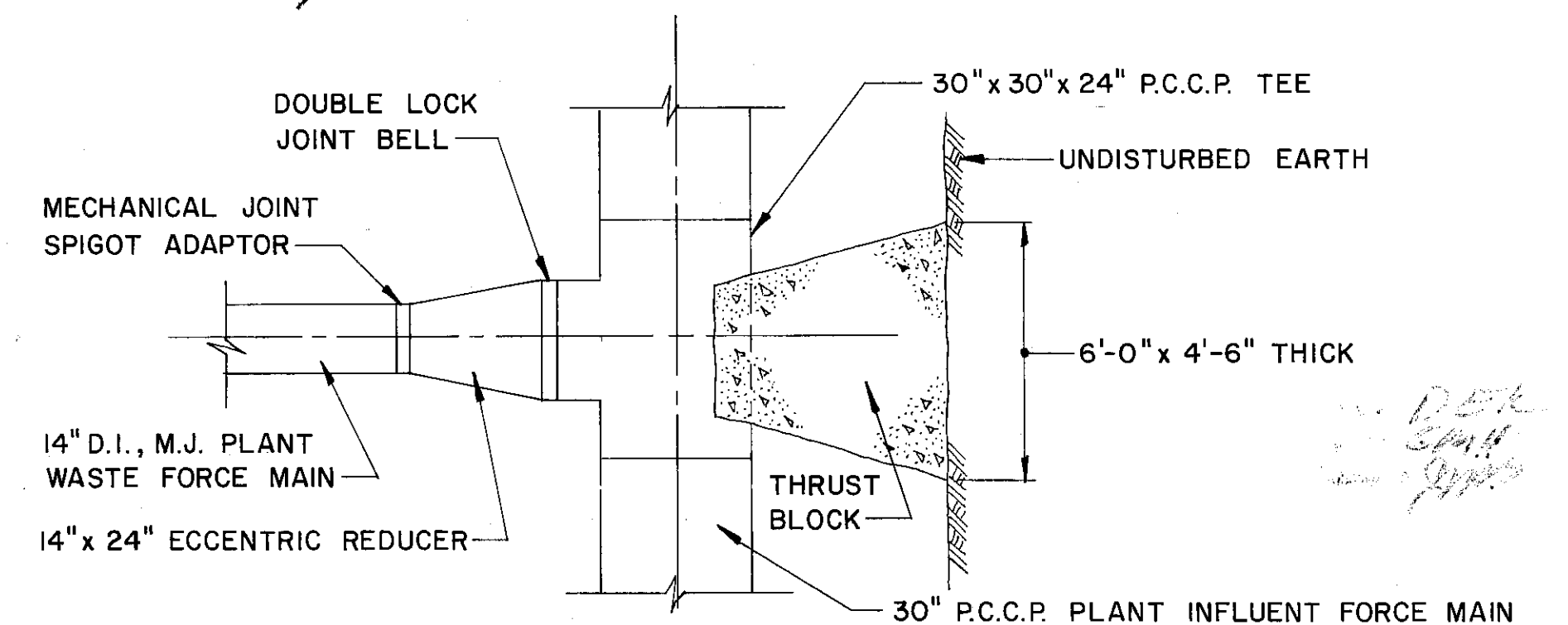
TYPICAL HYDRANT INSTALLATION

NO SCALE



**CHLORINE CONTACT TANK EFFLUENT
CONNECTION TO OUTFALL SEWER**

NO SCALE



**30" PLANT INFLUENT FORCE MAIN &
14" PLANT WASTE FORCE MAIN
CONNECTION DETAIL**

In charge of <u>WDP</u>	NO SCALE	NO. DATE	REVISION	INIT.
Designed by <u>ADS</u> Checked by <u>WDP</u>				
Made by <u>GBC</u>		1/31/76 General Revisions		
		2/11/76 General Revisions		

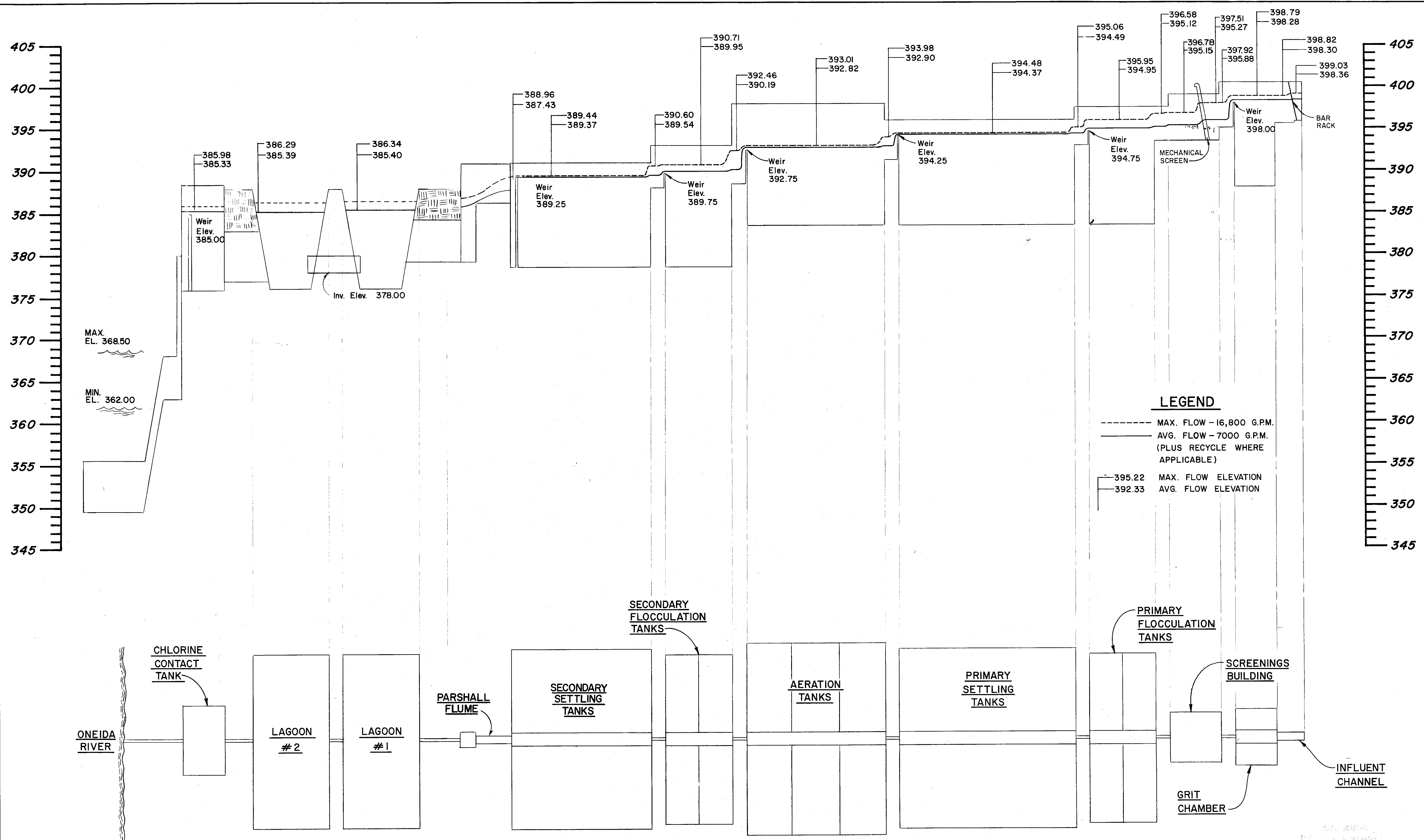
**O'BRIEN & GERE
ENGINEERS, INC.**
Syracuse, New York

CLAY SANITARY DISTRICT
OAK ORCHARD SERVICE AREA
OAK ORCHARD WATER POLLUTION CONTROL PLANT

GENERAL
MISCELLANEOUS DETAILS

FILE NO.
115.219-012F
DATE
JULY 1, 1975

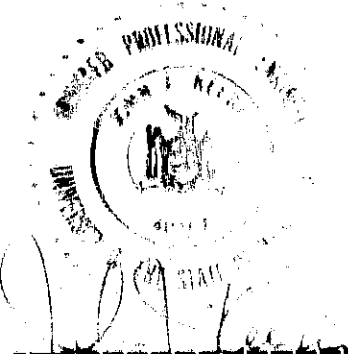
G-11



LEGEND

- MAX. FLOW - 16,800 G.P.M.
- AVG. FLOW - 7000 G.P.M. (PLUS RECYCLE WHERE APPLICABLE)
- 395.22 MAX. FLOW ELEVATION
- 392.33 AVG. FLOW ELEVATION

Scale: Vert. 1" = 5'-0"
 Horz. None



In charge of <i>[Signature]</i>		NO.	DATE	REVISION	INIT.
Designed by <i>[Signature]</i> Checked by <i>[Signature]</i>					
Made by <i>[Signature]</i>		5/1/77	General Revisions	JL	

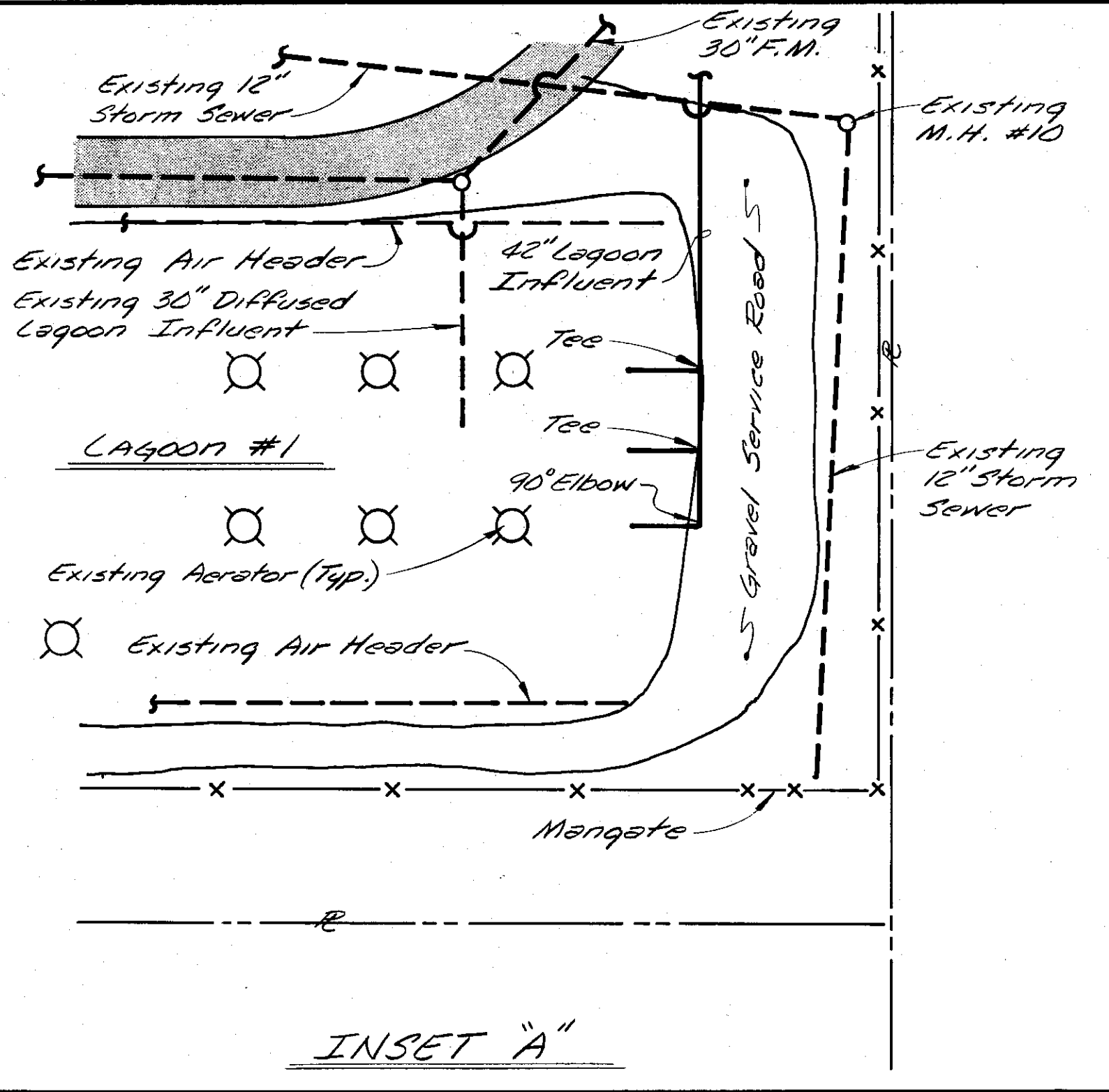
G O'BRIEN & GERE
 ENGINEERS, INC.
 Syracuse, New York

CLAY SANITARY DISTRICT
 OAK ORCHARD SERVICE AREA
 OAK ORCHARD WATER POLLUTION CONTROL PLANT

GENERAL
 HYDRAULIC PROFILE

FILE NO. 115.219-013F
 DATE JULY 1, 1975
 G-12

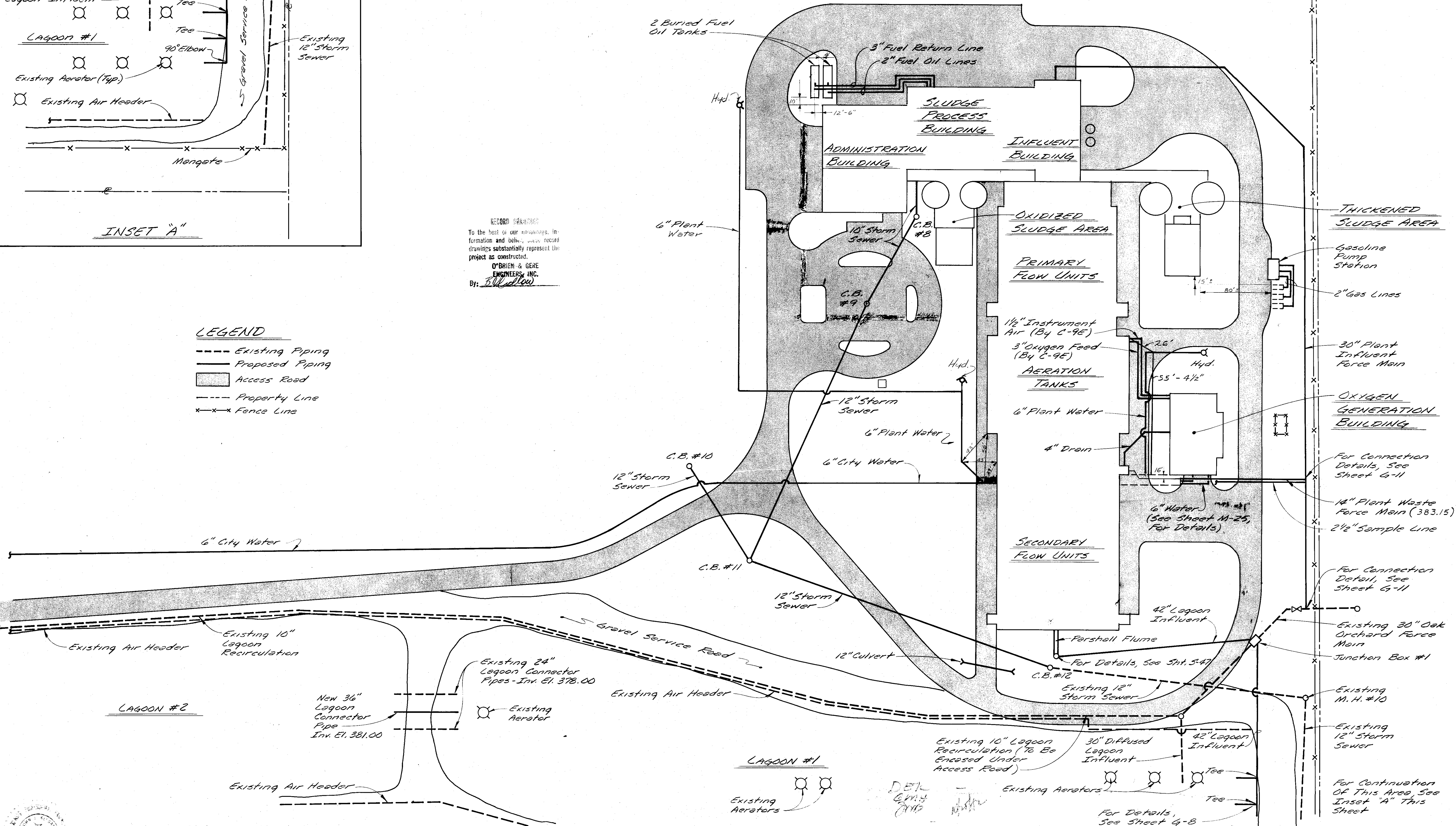
AL



INSET "A"

- LEGEND**
- Existing Piping
 - Proposed Piping
 - ▭ Access Road
 - - - Property Line
 - x-x-x Fence Line

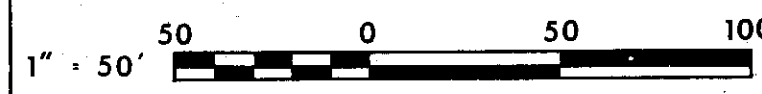
RECORD DRAWINGS
 To the best of our knowledge, information and belief, these record drawings substantially represent the project as constructed.
O'BRIEN & GERE ENGINEERS, INC.
 By: *Bill Dow*



For Additional Piping See Sheet AD-2



In charge of *[Signature]*
 Designed by *AS* Checked by *AS*
 Made by *SBC*



NO.	DATE	REVISION	INIT.

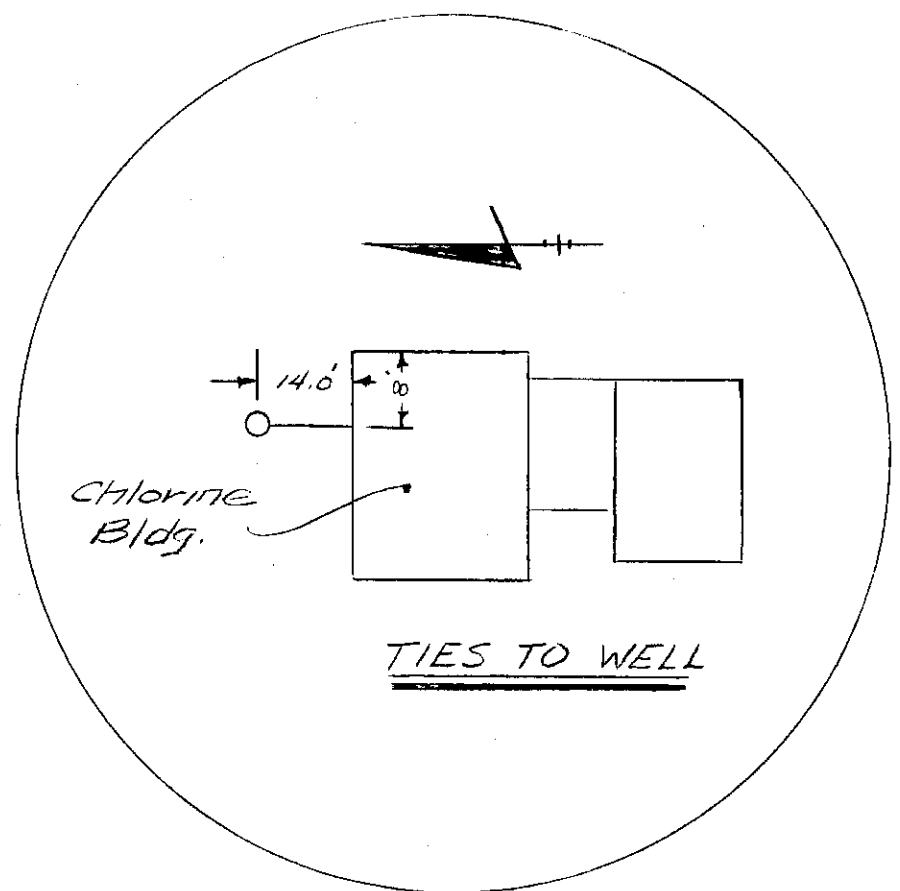
O'BRIEN & GERE ENGINEERS, INC.
 Syracuse, New York

CLAY SANITARY DISTRICT
 OAK ORCHARD SERVICE AREA
 OAK ORCHARD WATER POLLUTION CONTROL PLANT

GENERAL
 OUTSIDE PIPING PLAN

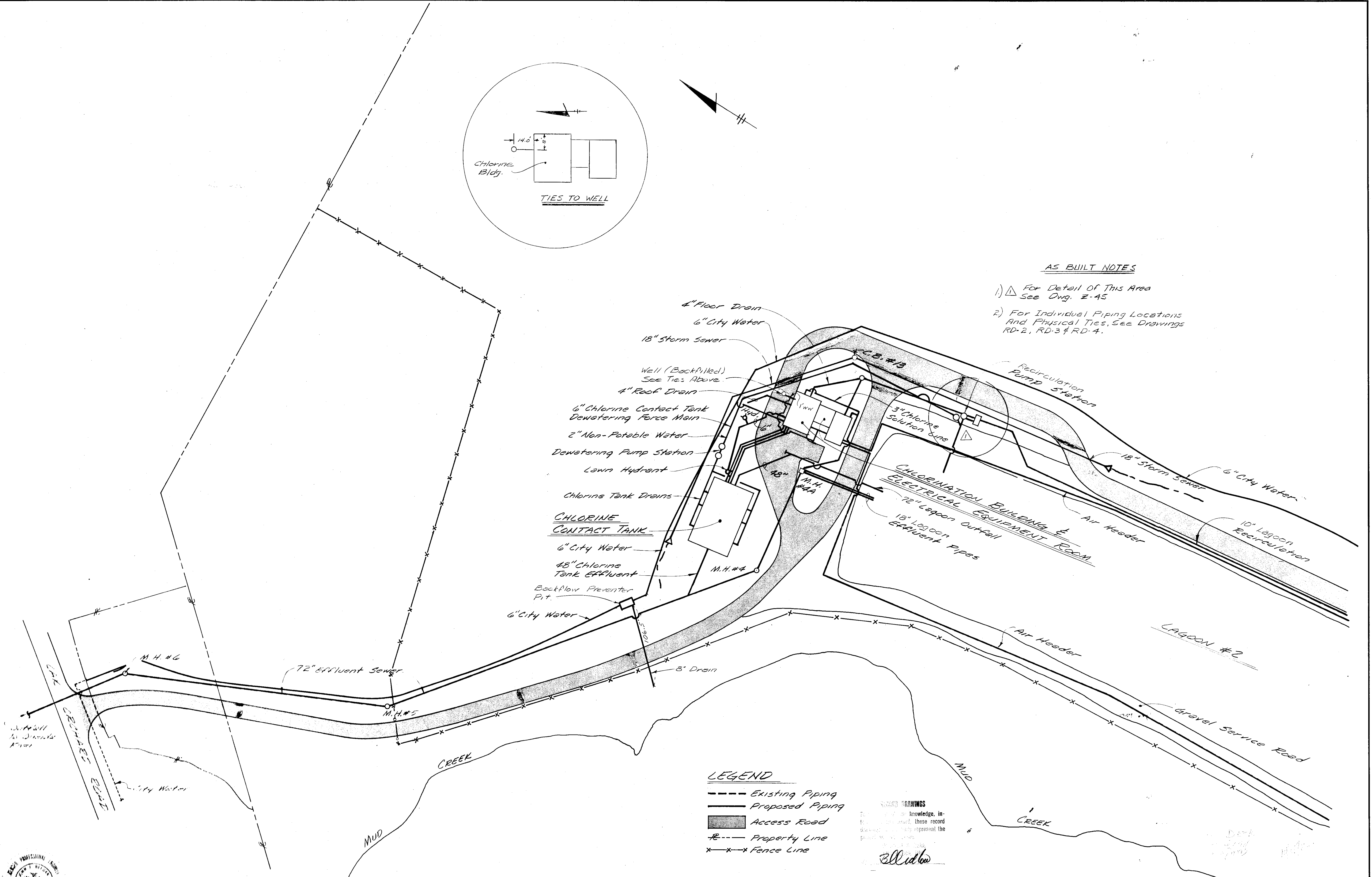
FILE NO.
 115.219-222F
 DATE
 MARCH 3, 1978

AD-1



AS BUILT NOTES

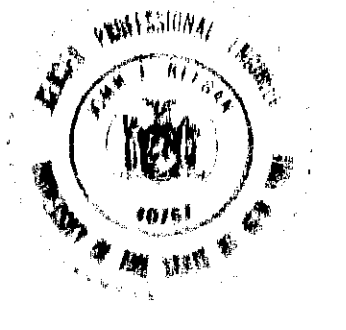
- 1) Δ For Detail Of This Area See Dwg. 2-45
- 2) For Individual Piping Locations And Physical Ties, See Drawings RD-2, RD-3 & RD-4.



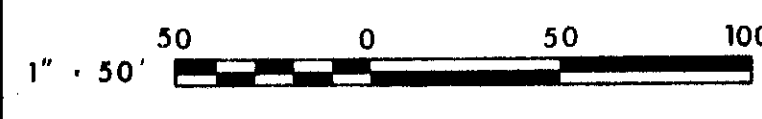
LEGEND

- Existing Piping
- Proposed Piping
- ▨ Access Road
- - - Property Line
- x-x-x-x Fence Line

AS BUILT DRAWINGS
 These drawings represent the actual conditions as built.
 3/11/78
 Bll ut bo



In charge of <i>[Signature]</i>	NO.	DATE	REVISION	INIT.
Designed by <i>A.S.</i> Checked by <i>A.S.</i>				
Made by <i>G.B.C.</i>				



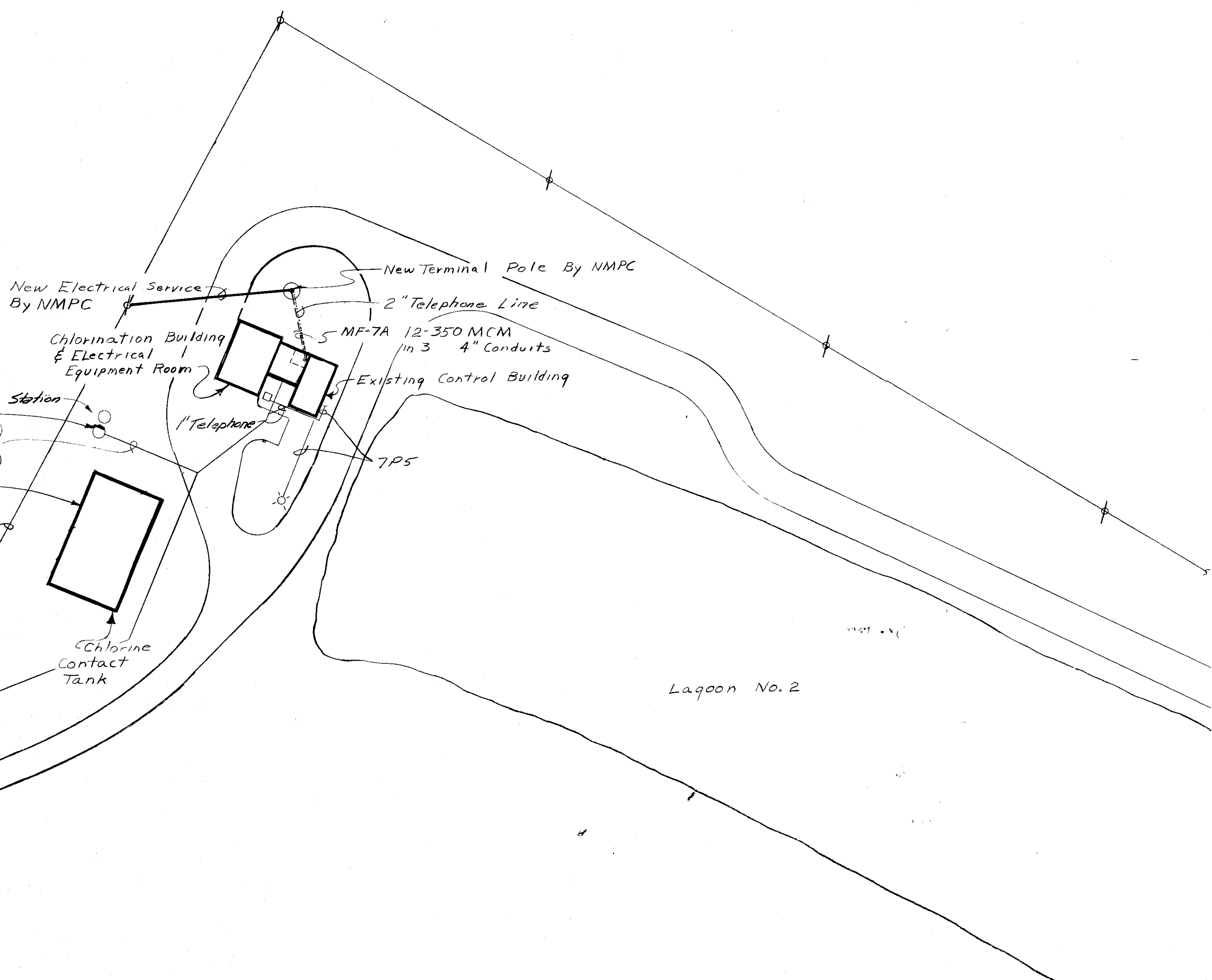
O'BRIEN & GERE
 ENGINEERS, INC.
 Syracuse, New York

CLAY SANITARY DISTRICT
 OAK ORCHARD SERVICE AREA
 OAK ORCHARD WATER POLLUTION CONTROL PLANT

GENERAL
OUTSIDE PIPING PLAN

FILE NO. 115.219-223F	AD-2
DATE MARCH 3, 1978	

Circuit Protective Devices (Amps)	Equipment In Motor Control Center	Cond't No.	Equipment Remote From Motor Control Center		Power & Control Conduits				
			Equipment Furnished, Installed & Connected by C9B	Equipment Furnished And Installed by C9A Except As Noted, Connected by C9B	Cond. No.	Conductor No. Size	Cond. Size		
MCC1 7B 7C 8A 8B	100A 3P	IPC 25 20, 27, or 28	OXIDIZED SLUDGE PUMP No 1 (Typ 2, 3 & 4)	Start Stop 30 A Disc Sw Speed Control ICC 9, 10, 11, or 12 SL	IPC 29, 30, 31, or 32 Filter No 1 Control Panel Tach R HOA Speed Cont. Proportional Level Cont. DC Drive (Typ.)	IPC 25 2, 6, 27, or 28 IPC 29 30, 31, or 32 ICC 9 10, 11, or 12 ICC 9	3 2 4 2 2	12 12 14 14 14	3/4" 1" 1" 3/4"
MCC1 13A 13B	20A 100A 3P	IPC 55 or 56	THICKENED SLUDGE TRANSFER PUMP No 1	30 A Disc Sw SL	IPC 57 or 58 ICC 29 or 30 (Typ No 2)	IPC 55 or 56 IPC 57 or 58 ICC 29 or 30 ICC 31 or 32	3 2 4 2 2	12 12 14 14 Not Used	3/4" 1" 3/4"
MCC1 13C 14A	30A 100A 3P	IPC 59 or 60	THICKENED SLUDGE PUMP No 1 (Typ No 2)	30 A Disc Sw ICC 33 or 34 SL	IPC 59a or 60a Sludge Process Control Panel Tach R HOA Speed Cont. Start + Stop	IPC 59 or 60 IPC 59a or 60a ICC 33 or 34 ICC 35 or 36	3 2 4 2 2	12 12 14 14 Twisted P, 1"	3/4" 1" 3/4"
MCC4 14A 14B	30A 100A 3P	4PC-7 or 8	PRIMARY SLUDGE PUMP No 1 (Typ No 2)	30 A Disc Sw SL	4P-7 or 19 4CC-3 or 4 4PC 7a or 8a	4PC 7 or 8 4P-7 or 19 4CC-3 or 4 4PC 7a or 8a	3 2 4 2 2	12 12 14 14 Not Used	3/4" 1" 3/4"

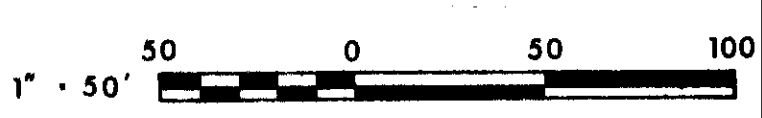


SITE PLAN
Scale 1"=50'

DESIGNED BY: [Signature]
CHECKED BY: [Signature]
DATE: [Signature]



In charge of: [Signature]	NO.	DATE	REVISION	INIT.
Designed by: [Signature]				
Checked by: [Signature]				
Made by: [Signature]				

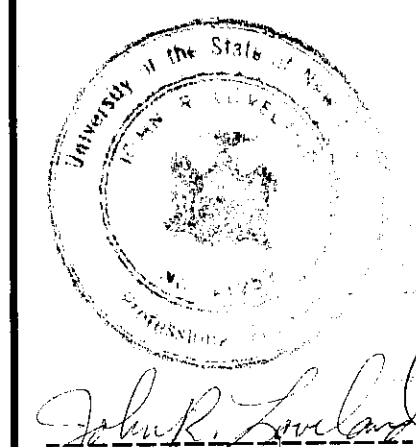
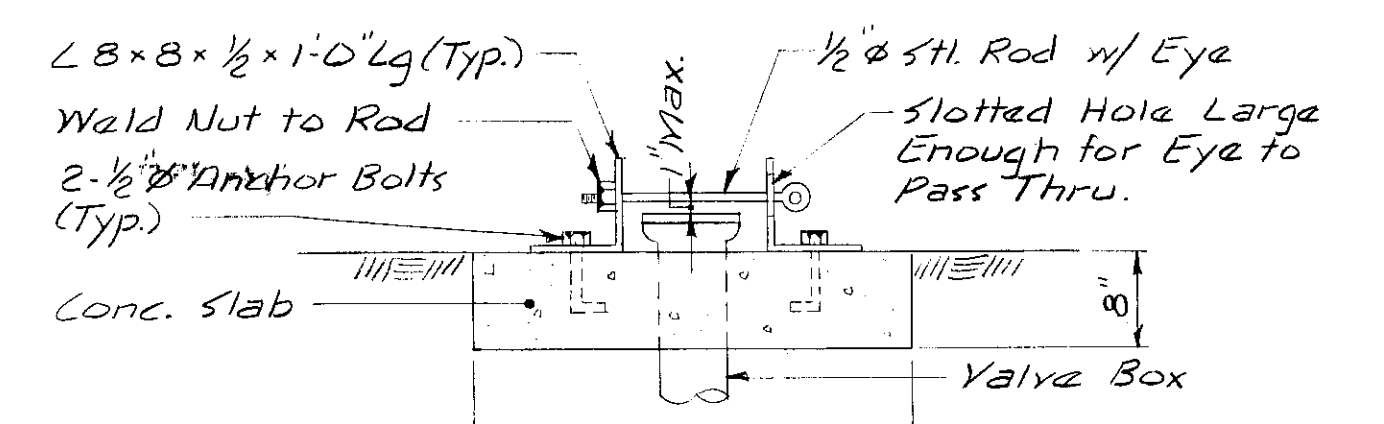
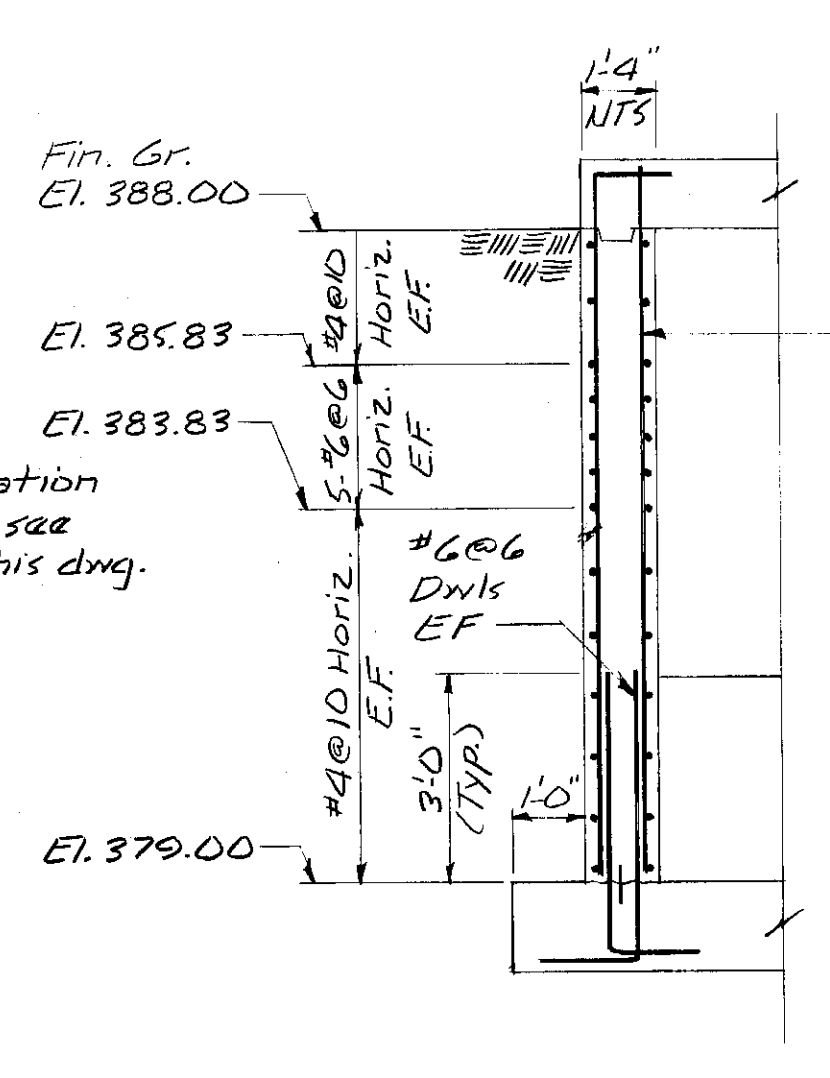
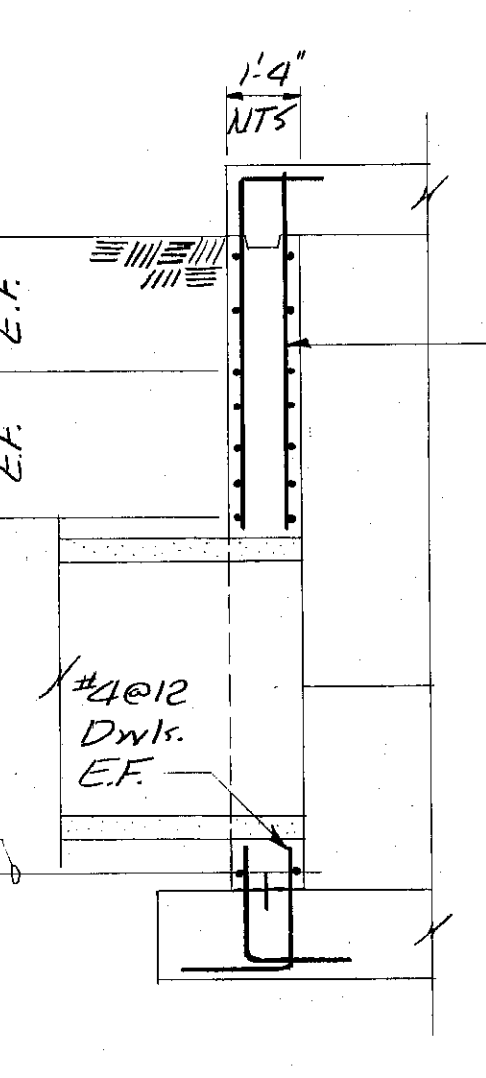
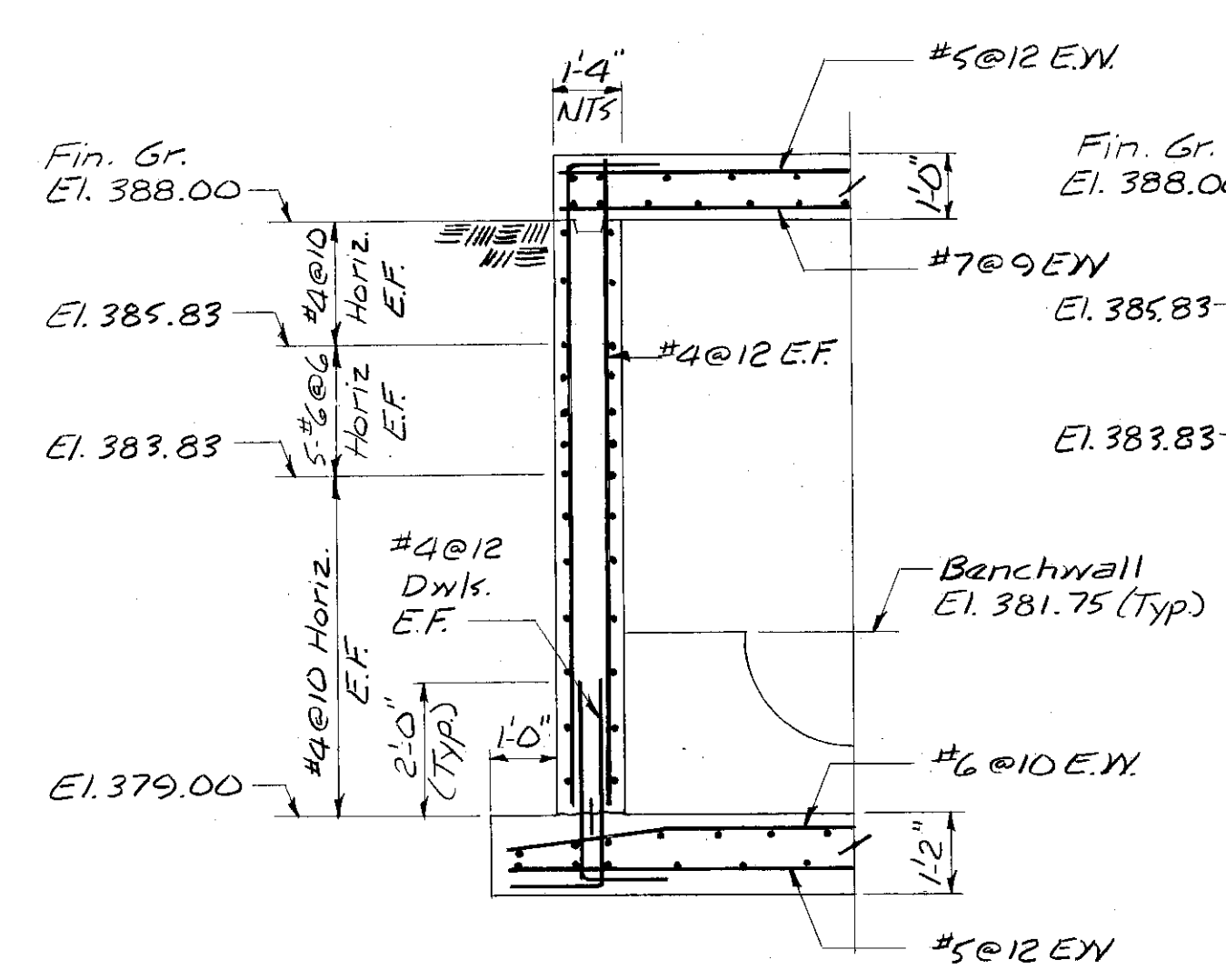
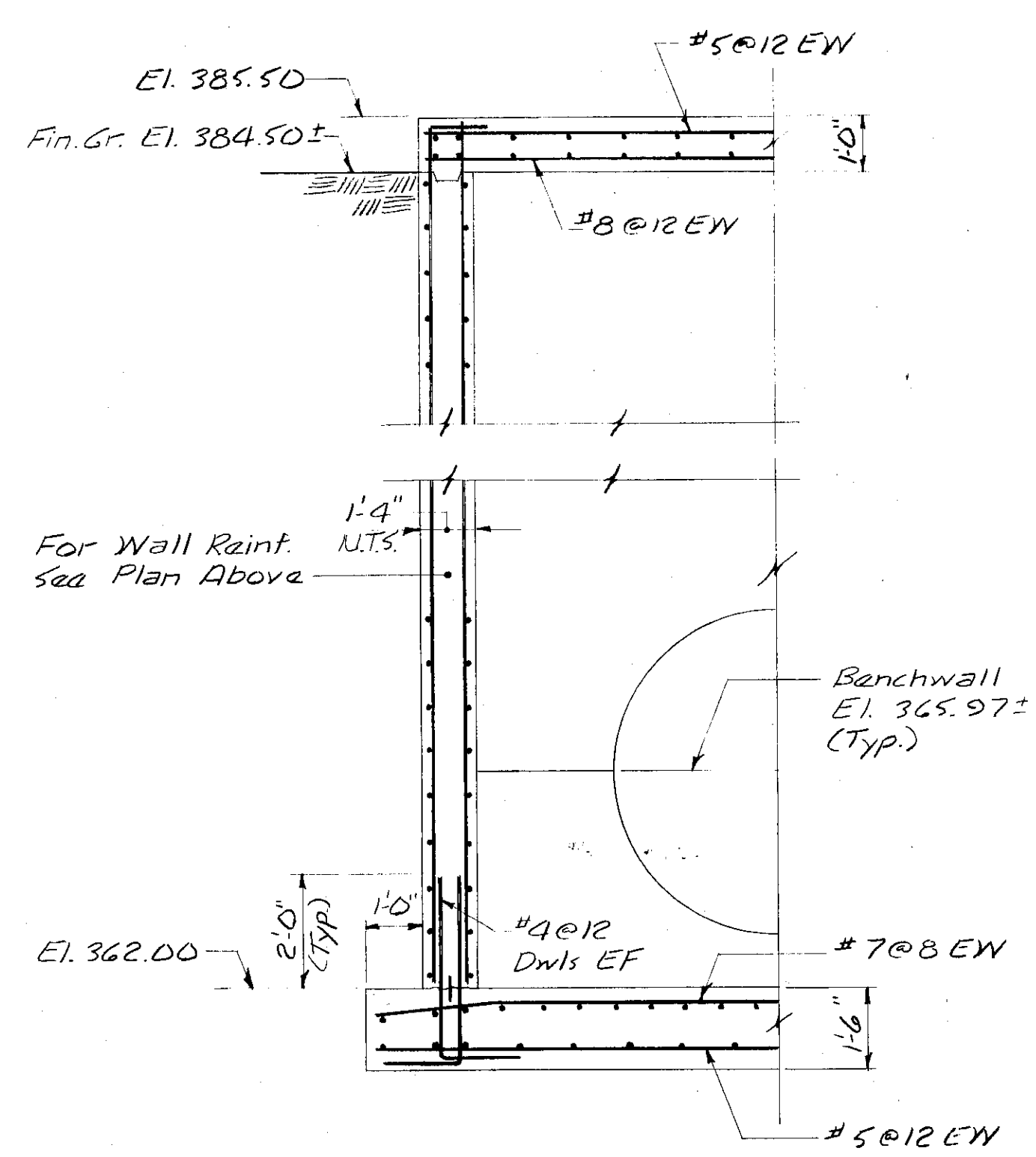
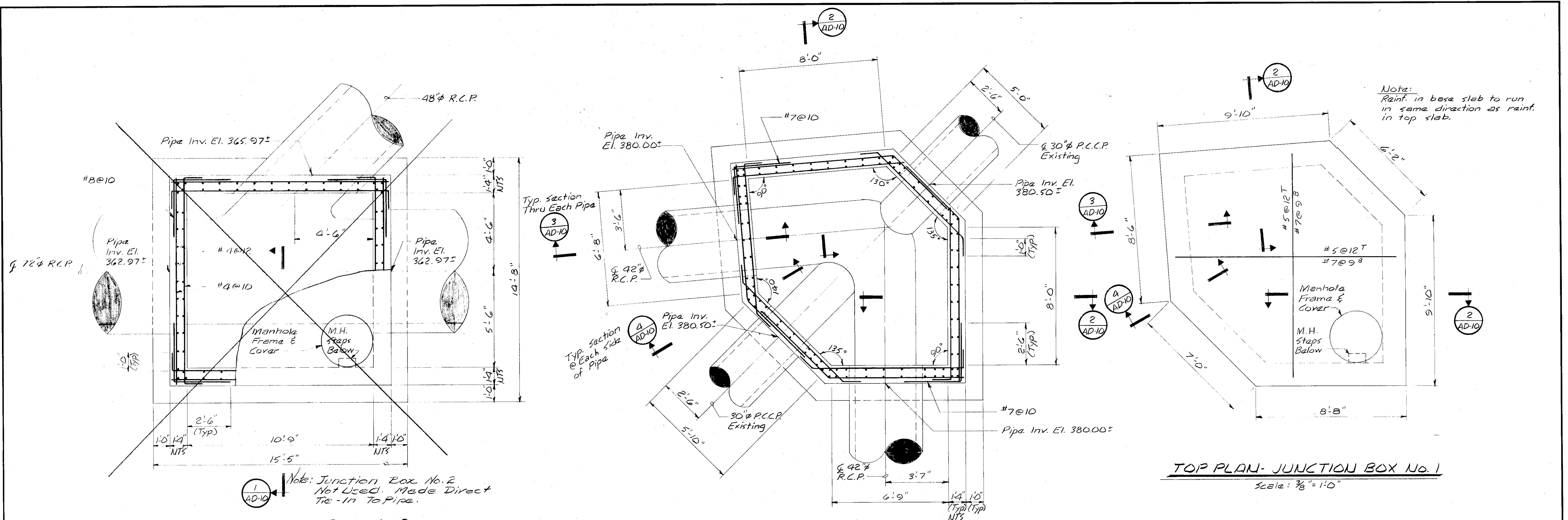


O'BRIEN & GERE
ENGINEERS, INC.
Syracuse, New York

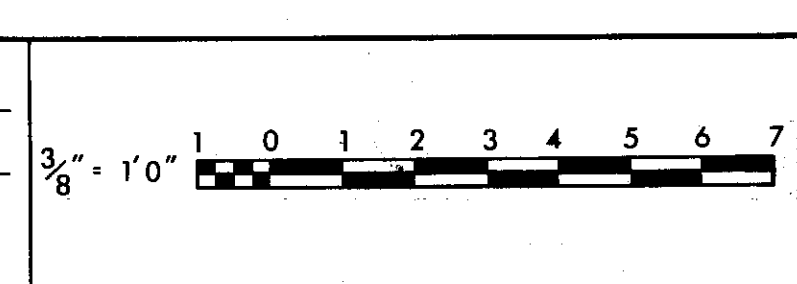
CLAY SANITARY DISTRICT
OAK ORCHARD SERVICE AREA
OAK ORCHARD WATER POLLUTION CONTROL PLANT

ELECTRICAL
**SITE PLAN AND
MCC ONE LINE**

FILE NO. 115.219-229F	AD-8
DATE APRIL 10, 1978	



In charge of W. Santalucia
Designed by GPX Checked by TMS
Made by GPX



NO.	DATE	REVISION	INIT.

O'BRIEN & GEE
ENGINEERS, INC.
Syracuse, New York

CLAY SANITARY DISTRICT
OAK ORCHARD SERVICE AREA
OAK ORCHARD WATER POLLUTION CONTROL PLANT

STRUCTURAL
JUNCTION BOXES
PLANS & SECTIONS

FILE NO. 115.219-231F	AD-10
DATE April 12, 1978	

PERIOD EXAMINED
To the best of our knowledge, information and belief, these drawings substantially represent the work as constructed.
O'BRIEN & GEE
ENGINEERS, INC.
John K. Sullivan

AB

ROOM FINISH SCHEDULE

NO.	NAME	FLOOR			BASE			WALLS			CEILING			DOOR FRAMES			DOORS			TRIM			REMARKS	NO.
		Mat.	Finish	Color	Mat.	Finish	Color	Mat.	Finish	Color	Mat.	Finish	Color	Mat.	Finish	Color	Mat.	Finish	Color	Mat.	Finish	Color		
UNIT "A" BASEMENT, FIRST & 2ND FLOOR																								
101	Vestibule	Q.T.			Q.T.			Brick			AT-1 B-6			Alum.			Alum.					101		
102	Reception	Q.T.			Q.T.			Brick			AT-1 B-6			Alum.			Alum.					102		
103	Lunch Room	Carpet			Vinyl			Brk			AT-1 B-6			H.M.	Paint		H.M.	Paint				103		
104	Women	CMT			CMT			CMT			ECPCPL	Paint		H.M.	Paint		H.M.	Paint				104		
105	Shower	CMT			CMT			CMT			ECPCPL	Paint										105		
106	Men's Lockers	CMT			CMT			CMT			ECPCPL	Paint										106		
107	Shower	CMT			CMT			CMT			ECPCPL	Paint										107		
108	Shower	CMT			CMT			CMT			ECPCPL	Paint										108		
109	Man	CMT			CMT			CMT			ECPCPL	Paint		H.M.	Paint		H.M.	Paint				109		
110	Sewer Craw Control Rm.	VAT			Vinyl			Conc. Brk	P-A		AT-1 B-6			H.M.	Paint		H.M.	Paint				110		
111	Office	VAT			Vinyl			Conc. Brk	P-A		AT-1 B-6			H.M.	Paint		H.M.	Paint				111		
112	Vestibule	Q.T.			Q.T.			Conc. Brk	P-A		AT-1 B-6			H.M.	Paint		H.M.	Paint				112		
113	Corridor	Q.T.			Q.T.			Block	P-A		AT-1 B-6			H.M.	Paint		H.M.	Paint				113		
114	Corridor	Q.T.			Q.T.			Block	P-A		AT-1 B-6			H.M.	Paint		H.M.	Paint				114		
115	Men's Lockers	CMT			CMT			CMT			ECPCPL	Paint										115		
116	First Aid	Q.T.			Q.T.			PEPL	P-A		AT-1 B-6			H.M.	Paint		H.M.	Paint				116		
117	Stairway	Q.T.			Q.T.			Brick			AT-1 B-6											117		
118	Elect. Equip. Room	VAT			Vinyl			PEPL	P-A		AT-1 B-6			H.M.	Paint		H.M.	Paint				118		
119	Corridor	Q.T.			Q.T.			Plaster	PWC		AT-1 B-6			H.M.	Paint		H.M.	Paint				119		
120	Janitor	Q.T.			Q.T.			Block	P-A		AT-1 B-6			H.M.	Paint		H.M.	Paint				120		
121	Showers	CMT			CMT			CMT			ECPCPL	Paint										121		
122	Corridor	CMT			CMT			CMT			ECPCPL	Paint		H.M.	Paint		H.M.	Paint				122		
123	Man	CMT			CMT			CMT			ECPCPL	Paint		H.M.	Paint		H.M.	Paint				123		
124	Shower	CMT			CMT			CMT			ECPCPL	Paint										124		
125	Women	CMT			CMT			CMT			ECPCPL	Paint		H.M.	Paint		H.M.	Paint				125		
126	Women's Lockers	CMT			CMT			CMT			ECPCPL	Paint										126		
127	Lounge	CMT			CMT			CMT			ECPCPL	Paint										127		
128	Sewer Craw Garage	Conc.	SF-2		SF-2			Conc. Brk	P-B		ECPCPL	Paint		H.M.	Paint		H.M.	Paint				128		
129	Corridor	CMT			CMT			CMT			ECPCPL	Paint		H.M.	Paint		H.M.	Paint				129		
130	Elevator							Block						H.M.	Paint		H.M.	Paint				130		
131	Sewer Parts Storage	Conc.	Hdnr.					Block	P-A		ECPCPL	Paint		H.M.	Paint		H.M.	Paint				131		
132	Corridor	VAT			Vinyl			Block	P-A		AT-1 B-6			H.M.	Paint		H.M.	Paint		Stl.	Paint	132		
133	Storage	Conc.	Hdnr.					Conc. Brk	P-A		ECPCPL	Paint		H.M.	Paint		H.M.	Paint				133		
134	Small Parts Storage	VAT			Vinyl			Block	P-A		ECPCPL	Paint		H.M.	Paint		H.M.	Paint				134		
135	Foreman's Office	VAT			Vinyl			Block	P-A		AT-1 B-6			H.M.	Paint		H.M.	Paint		H.M.	Paint	135		
136	Corridor	VAT			Vinyl			Block	P-A		AT-1 B-6			H.M.	Paint		H.M.	Paint		Stl.	Paint	136		
137	Stairway	Q.T.			Q.T.			PEPL	PWC		PEPL	Paint		H.M.	Paint		H.M.	Paint		Stl.	Paint	137		
138	Corridor	Q.T.			Q.T.			PEPL	PWC		AT-1 B-6			Alum.			Alum.					138		
139	Vestibule	Q.T.			Q.T.			PEPL	PWC		AT-1 B-6			Alum.			Alum.					139		
140	Shop	Conc.	SF-2		SF-2			Conc. Brk	P-B		ECPCPL	Paint		H.M.	Paint		H.M.	Paint				140		
141	Maintenance Garage	Conc.	SF-2		SF-2			Block	P-B		ECPCPL	Paint		H.M.	Paint		H.M.	Paint				141		
142	Large Parts Storage	Conc.	SF-2		SF-2			Conc. Brk	P-B		ECPCPL	Paint		H.M.	Paint		H.M.	Paint				142		
201	Plant Supt Office	Carpet			Vinyl			PEPL	PWC		AT-1 B-6			H.M.	Paint		H.M.	Paint		Wd. H.M.	Mat. Paint	201		
202	General Office	Carpet			Vinyl			PEPL	PWC		AT-1 B-6			H.M.	Paint		H.M.	Paint		Wd.	Nat.	202		
203	Conference Room	Carpet			Vinyl			PEPL	PWC		AT-1 B-6			H.M.	Paint		H.M.	Paint		Wd.	Nat.	203		
204	Stairway	Q.T.			Q.T.			Brick			AT-1 B-6			H.M.	Paint		H.M.	Paint				204		
205	Equipment Room	Conc.	Hdnr.					Conc. Brk			ECPCPL	Paint		H.M.	Paint		H.M.	Paint				205		
206	Corridor	Q.T.			Q.T.			Brk			AT-1 B-6											206		
207	Corridor	Carpet			Vinyl			PEPL	PWC		AT-1 B-6			H.M.	Paint		H.M.	Paint				207		
208	Records Storage Rm	VAT			Vinyl			PEPL	PWC		AT-1 B-6			H.M.	Paint		H.M.	Paint				208		
209	Lounge	Carpet			Vinyl			PEPL	PWC		AT-1 B-6			H.M.	Paint		H.M.	Paint				209		
210	Man	CMT			CMT			CMT			AT-1 B-6			H.M.	Paint		H.M.	Paint		Wd.	Nat.	210		
211	Women	CMT			CMT			CMT			AT-1 B-6									Wd.	Nat.	211		
212	Janitor	Q.T.			Q.T.			PEPL	Paint		AT-1 B-6			H.M.	Paint		H.M.	Paint				212		
213	Plant Control Room	VAT			Vinyl			PEPL	PWC		AT-1 B-6			H.M.	Paint		H.M.	Paint		H.M.	Paint	213		
214	Office	VAT			Vinyl			PEPL	Paint		AT-1 B-6			H.M.	Paint		H.M.	Paint				214		
215	Storage	VAT			Vinyl			PEPL	Paint		AT-1 B-6			H.M.	Paint		H.M.	Paint				215		
216	Parts Storage	VAT			Vinyl			Brk	P-A		ECPCPL	Paint		H.M.	Paint		H.M.	Paint				216		
217	Parts Storage	VAT			Vinyl			Brk	P-A		ECPCPL	Paint		H.M.	Paint		H.M.	Paint				217		
218	Stairway	VAT			Vinyl			PEPL	Paint		AT-1 B-6			H.M.	Paint		H.M.	Paint		Stl.	Paint	218		
219	Laboratory	Q.T.			Q.T.			*CMT			AT-1 B-6			H.M.	Paint		H.M.	Paint				219		
220	Storage	Q.T.			Q.T.			CMT			AT-1 B-6											220		
221	Elevator							Block						H.M.	Paint		H.M.	Paint				221		
222	Compressor Room	VAT			Vinyl			Block	P-A		ECPCPL	Paint		H.M.	Paint		H.M.	Paint				222		
223	Stairway	VAT			Vinyl			Plaster	PWC		PEPL	Paint		H.M.	Paint		H.M.	Paint		Stl.	Paint	223		
224	Vestibule	VAT			Vinyl			Conc. Brk	P-A		ECPCPL	Paint		H.M.	Paint		H.M.	Paint				224		
225	Stairway	VAT			Vinyl			Plaster	PWC		PEPL	Paint		H.M.	Paint		H.M.	Paint		Stl.	Paint	225		
226	Elevator Equip. Room	Conc.	Hdnr.					Block			Ev. Cons.			H.M.	Paint		H.M.	Paint				226		
227	Elevator	Conc.	Hdnr.					Block			Ev. Cons.			H.M.	Paint		H.M.	Paint				227		
228	Corridor	Conc.	Hdnr.					Block	P-A		Ev. Cons.	Paint		H.M.	Paint		H.M.	Paint				228		
229	Gallery	Conc.	Hdnr.					Conc.			Ev. Cons.			H.M.	Paint		H.M.	Paint				229		
230	Corridor	Q.T.			Q.T.			PEPL	PWC		AT-1 B-6			H.M.	Paint		H.M.	Paint				230		

Notes:
 1. Exposed Steel Columns, Spandrel Beams & Misc. Steel in Exterior Walls, shall be finished with Glazed Wall Finish same color as walls
 2. At Chemical Storage Room # 145. Paint all Interior Surfaces of the Ferric Chloride Storage area, including Floor with 2 Coats of Type "B" Paint System

Note: For Color Remarks & Additional Notes See Dwg. E-46.

* Denotes Color to be Selected by the Engineer
 P-A, P-B Denotes Paint System "A" or System "B" Refer to MP 30.90

For Additional Information, See Sheets E-46, RD-29



In charge of W. Manville
 Designed by W. Manville Checked by W. Manville
 Made by W. Manville

NO.	DATE	REVISION	INIT.
2	2/14/78	General Revisions	W. Manville
1	5/14/77	General Revisions	W. Manville

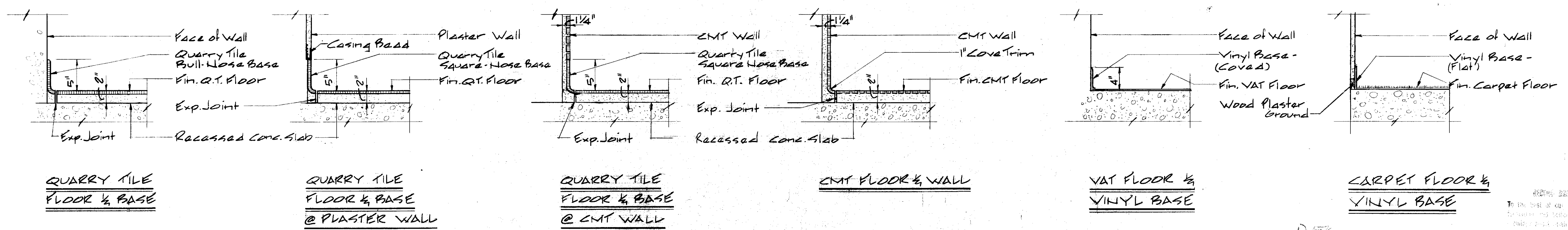
ROOM FINISH SCHEDULE

NO.	NAME	FLOOR			BASE			WALLS			CEILING			DOOR FRAMES			DOORS			TRIM			REMARKS	NO.
		Mat.	Finish	Color	Mat.	Finish	Color	Mat.	Finish	Color	Mat.	Finish	Color	Mat.	Finish	Color	Mat.	Finish	Color	Mat.	Finish	Color		
UNIT B & C FIRST & 2nd FLOOR																								
143	Boiler Room	Conc.	SF-1	•	SF-1	—	•	Black	P-A	•	Conc.	Paint	•	H.M. SH.	Paint	•	H.M. SH.	Paint	•				143	
144	Garage	Conc.	SF-2	—	SF-2	—	—	Black	P-B	•	Conc.	GWF	•	H.M. SH.	Paint	•	H.M. SH.	Paint	•				144	
145	Chemical Storage	Conc.	SF-2	—	SF-2	—	—	Black	P-B	•	Conc.	Paint	•	H.M. SH.	Paint	•	H.M. SH.	Paint	•			See Note 2	145	
146	Garage	Conc.	SF-2	—	SF-2	—	—	Black	P-B	•	Conc.	GWF	•	H.M. SH.	Paint	•	H.M. SH.	Paint	•				146	
147	Man	Conc.	SF-1	•	SF-1	—	•	Black	P-B	•	Conc.	GWF	•	H.M. SH.	Paint	•	H.M. SH.	Paint	•			Mat. Toilet Part. Color •	147	
148	Grit Removal Room	Conc.	SF-1	•	SF-1	—	•	Black	P-B	•	Conc.	GWF	•	H.M. SH.	Paint	•	H.M. SH.	Paint	•			* SF-2 SEE PLAN, SEE NOTE 1 Hazardous Area	148	
149	Screenings	Conc.	SF-1	•	SF-1	—	•	Black	P-B	•	Conc.	GWF	•	H.M. SH.	Paint	•	H.M. SH.	Paint	•			See Note 1 (Hazardous Area)	149	
150	Stairway	Conc.	S.T.	—	S.T.	—	—	Brick	—	—	Ex. Conc.	Paint	•	H.M.	Paint	•	H.M.	Paint	•	Stl.	Paint	•	150	
151	Sludge Process Room	Conc.	SF-1	•	SF-1	—	•	Black	P-B	•	Ex. Conc.	Paint	•	H.M.	Paint	•	H.M.	Paint	•	H.M.	Paint	•	* SF-2 See Plan, See Note 1	151
152	Sludge Process Control Rm	Conc.	SF-1	•	SF-1	—	•	Black	P-A	•	AT-18'6"	—	—	H.M.	Paint	•	H.M.	Paint	•	H.M.	Paint	•	152	
153	Vestibula	Q.T.	—	•	Q.T.	—	•	Black	P-A	•	AT-18'6"	—	—	H.M.	Paint	•	H.M.	Paint	•				153	
230	Filter Room	Conc.	SF-1	•	SF-1	—	•	Black	P-B	•	Ex. Conc.	Paint	•							Stl.	Paint	•	Stl. Grating - Paint	230
231	Mazzanina	Conc.	SF-1	•	SF-1	—	•	Black	P-B	•	Ex. Conc.	Paint	•	H.M.	Paint	•	H.M.	Paint	•				See Note 1	231
232	Vestibula	Conc.	SF-1	•	SF-1	—	•	Black	P-A	•	AT-18'6"	—	—	H.M.	Paint	•	H.M.	Paint	•	H.M.	Paint	•	See Note 1	232
233	Stairway	Conc.	S.T.	—	S.T.	—	—	Brick	—	—	Ex. Conc.	Paint	•	H.M.	Paint	•	H.M.	Paint	•				233	
235	Ddor Control Equip. Room	Conc.	S.T.	•	S.T.	—	•	Black	P-A	•	Ex. Conc.	Paint	•	H.M.	Paint	•	H.M.	Paint	•				235	
UNIT I																								
154	Oxygen Gen. Bldg.	Conc.	SF-1*	•	SF-1	—	•	Black	P-A	•	Ex. Conc.	Paint	•	H.M. SH.	Paint	•	H.M. SH.	Paint	•				SF-2 See Plan, See Note 1 Paint Steel Grating	154
UNIT H																								
155	Access Building	Conc.	S.T.	—	S.T.	—	—	Conc.	P-B	•	Ex. Conc.	Paint	•	H.M.	Paint	•	H.M.	Paint	•				155	
UNIT K																								
156	Access Building	Conc.	S.T.	—	S.T.	—	—	Conc.	P-B	•	Ex. Conc.	Paint	•	H.M.	Paint	•	H.M.	Paint	•				156	
UNIT F																								
157	Access Building	Conc.	S.T.	—	S.T.	—	—	Black	P-B	•	Ex. Conc.	Paint	•	H.M.	Paint	•	H.M.	Paint	•				157	
CHLORINATION BUILDING																								
158	Chlorine Room	Conc.	SF-1	•	SF-1	—	•	Black	P-B	•	Ex. Conc.	Paint	•	H.M. SH.	Paint	•	H.M. SH.	Paint	•	Stl.	Paint	•	See Note 1	158
159	Electric Equip. Room	Conc.	SF-1	•	SF-1	—	•	Black	P-B	•	Ex. Conc.	Paint	•	H.M.	Paint	•	H.M.	Paint	•				See Note 1	159
160	Existing Blower Room	—	—	—	—	—	—	Black	P-A	•	Conc.	P-A	—	H.M.	Paint	•	H.M.	Paint	•				160	
161	Existing Chlorine Room	—	—	—	—	—	—	Black	P-A	•	Conc.	P-A	—	H.M.	Paint	•	H.M.	Paint	•				161	

- Notes:**
- Exposed Steel Columns, Spandrel Beams & Misc. Steel in Exterior Walls shall be finished with Glaze Wall Finish Same Color as Walls.
 - At Chemical Storage Room #145 Paint All Interior Surfaces of the Ferric Chloride Storage area including Floor with 2 Coats of Type "B" Paint System

Note: For Additional Notes See Dwg. Z-47.

• Denotes Color to be Selected by the Engineer
P-A, P-B Denotes Paint System "A" or System "B" Refer to MP 39.90



TYPICAL FLOOR & BASE DETAILS

Scale: 1/4" = 1'-0"

For Additional Information, See Sheets Z-47, RD-30



In charge of Huanittala
Designed by ADN Checked by ADN
Made by RFB

NO.	DATE	REVISION	INT.
2	3/14/78	General Revisions	
1	3/17/77	General Revisions	

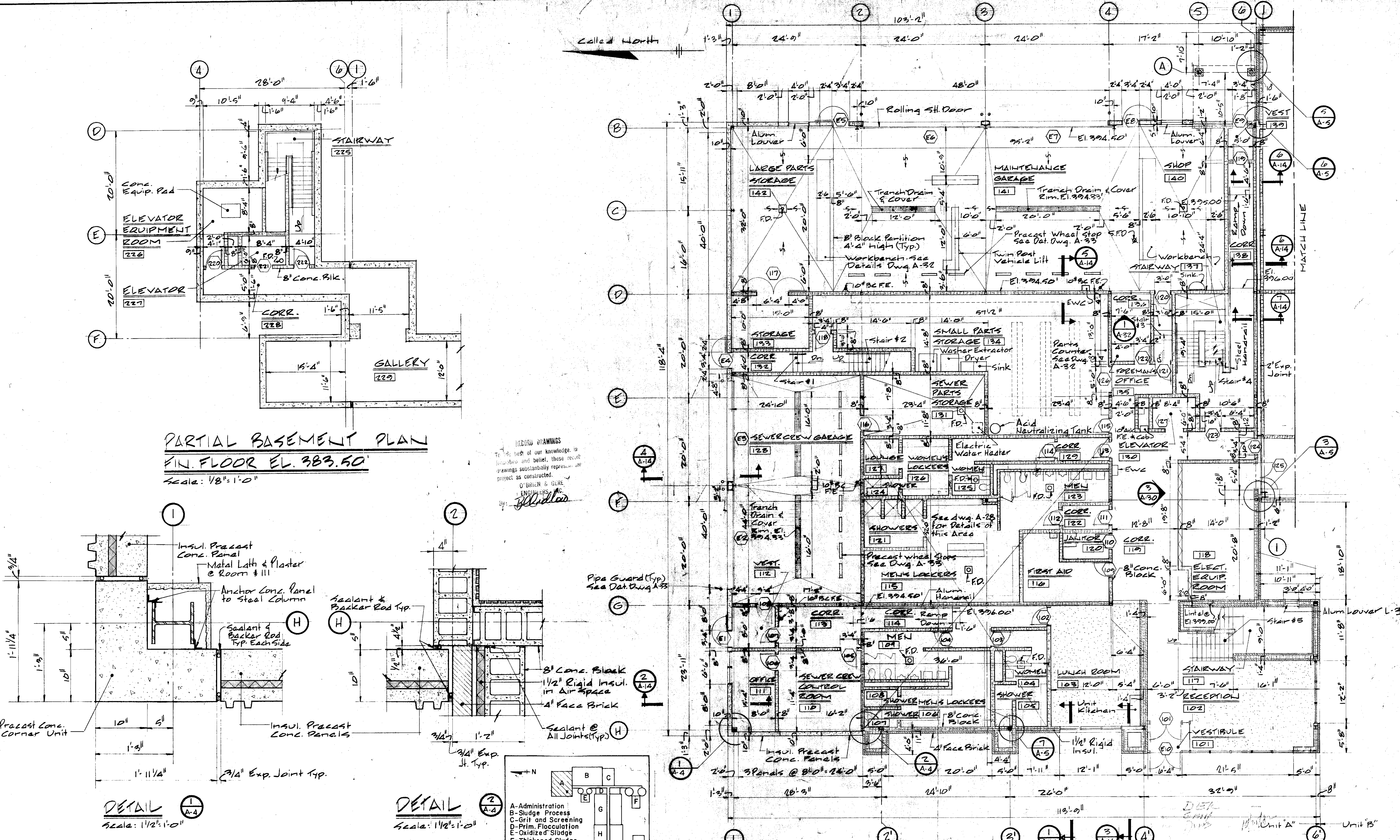


CLAY SANITARY DISTRICT
OAK ORCHARD SERVICE AREA
OAK ORCHARD WATER POLLUTION CONTROL PLANT

ARCHITECTURAL
UNIT A
ROOM FINISH SCHEDULE & DETAILS

FILE NO. 115.219.063F	A-3
DATE JULY 1, 1975	

AB



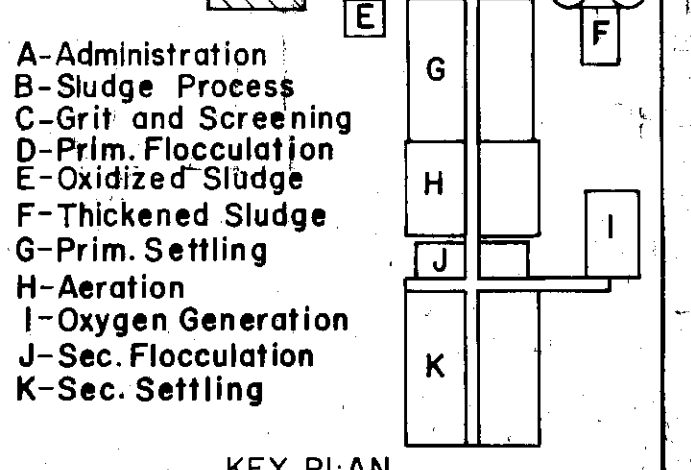
PARTIAL BASEMENT PLAN
FIN. FLOOR EL. 383.50'
Scale: 1/8" = 1'-0"

FIRST FLOOR PLAN UNIT A
FIN. FLOOR EL. 396.00'
Scale: 1/8" = 1'-0"

DETAIL 1
Scale: 1/2" = 1'-0"

DETAIL 2
Scale: 1/2" = 1'-0"

THESE DRAWINGS
TO THE BEST OF OUR KNOWLEDGE, IS
ACCURATE AND BELIEVED, THESE DRAWINGS
SUBSTANTIALLY REPRESENT THE PROJECT
AS CONSTRUCTED.
O'BRIEN & GERE
ENGINEERS, INC.
By: *[Signature]*



Design Live Loads:
Control Room, Equipment Room, Storage Rooms, Shop = 250 psf.
Maintenance Garage, Sewer Crew Garage = 145 20-44. All other areas = 100psf.

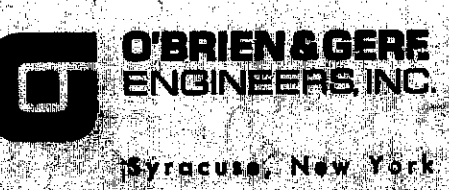
Concrete Block Partition Thickness
as Noted. 8" Unless Otherwise
Noted. Build Up Tight to Structure

Metal Stud Partition Thickness
As Noted - 4" Unless Otherwise
Noted.



NO.	DATE	REVISION	INIT.
16			
2	9/14/78	General Revisions	
1	9/17/77	General Revisions	

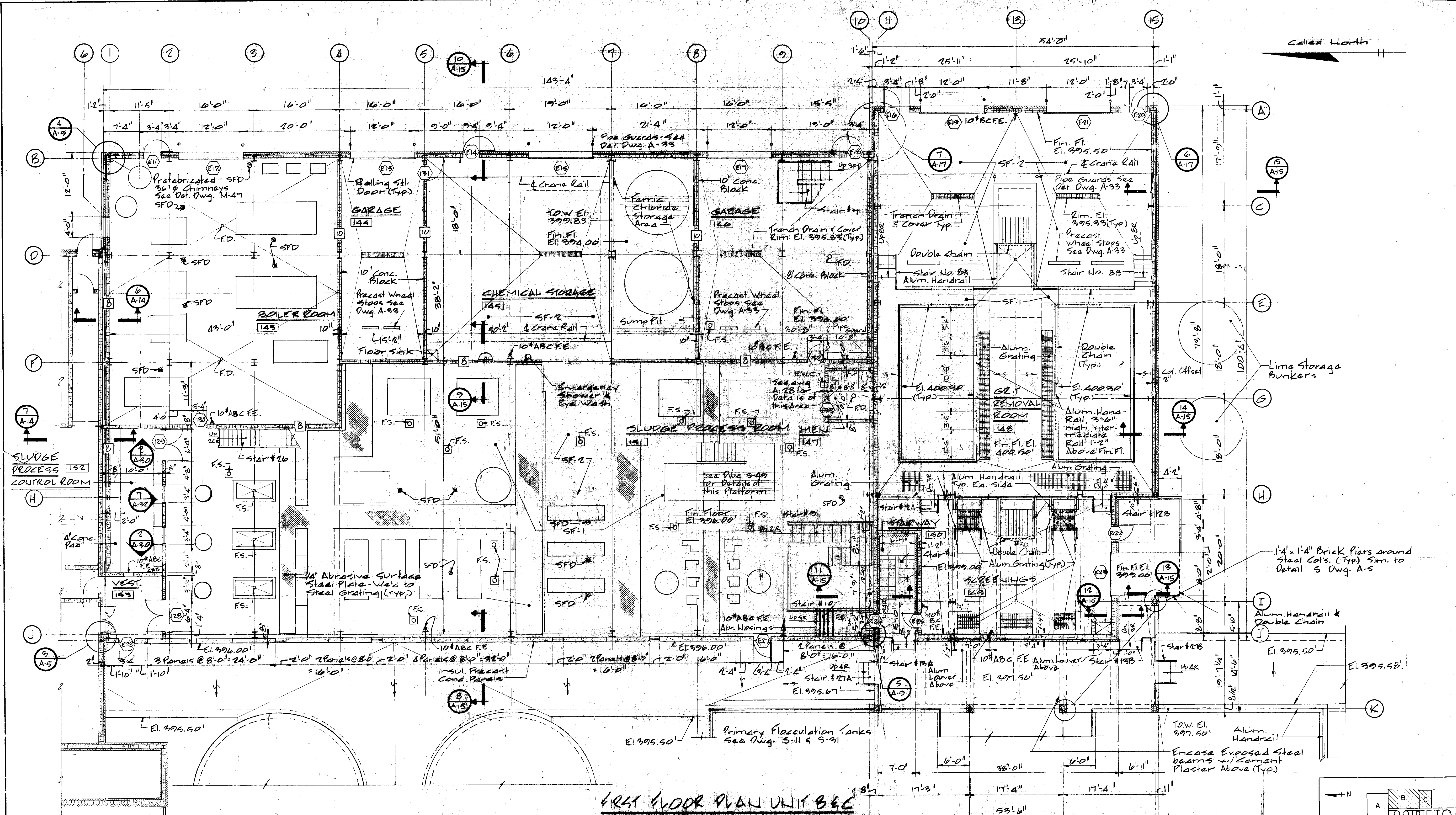
In charge of *[Signature]*
Designed By *[Signature]* Checked by *[Signature]*
Made by *[Signature]*



CLAY SANITARY DISTRICT
OAK ORCHARD SERVICE AREA
OAK ORCHARD WATER POLLUTION CONTROL PLANT

ARCHITECTURAL
FIRST FLOOR - UNIT A
PLAN & DETAILS

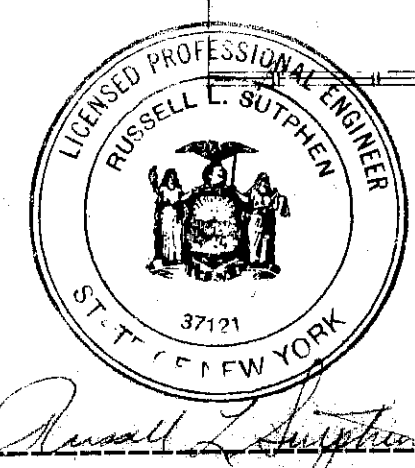
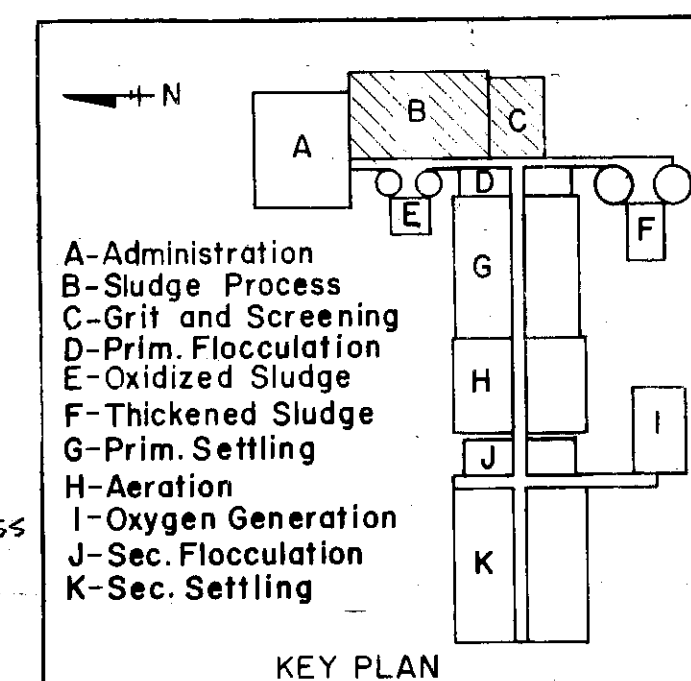
FILE NO.
115.219.064F
DATE
JULY 1, 1975
A-4



FIRST FLOOR PLAN UNIT B & C
FIN. FLOOR EL. 3096.00
 SCALE: 1/8" = 1'-0"

RECORD DRAWING
 To the best of our knowledge and
 belief, these drawings substantially
 represent the project as completed.
 O'Brien & Gere
 Engineers, Inc.
 Syracuse, New York

Concrete Block Partition thickness
 as noted - 8" unless otherwise
 noted. Build Up Tight to Structure
 Above unless otherwise noted



In charge of M. S. M. S.
 Designed by AON Checked by AON
 Made by RFB

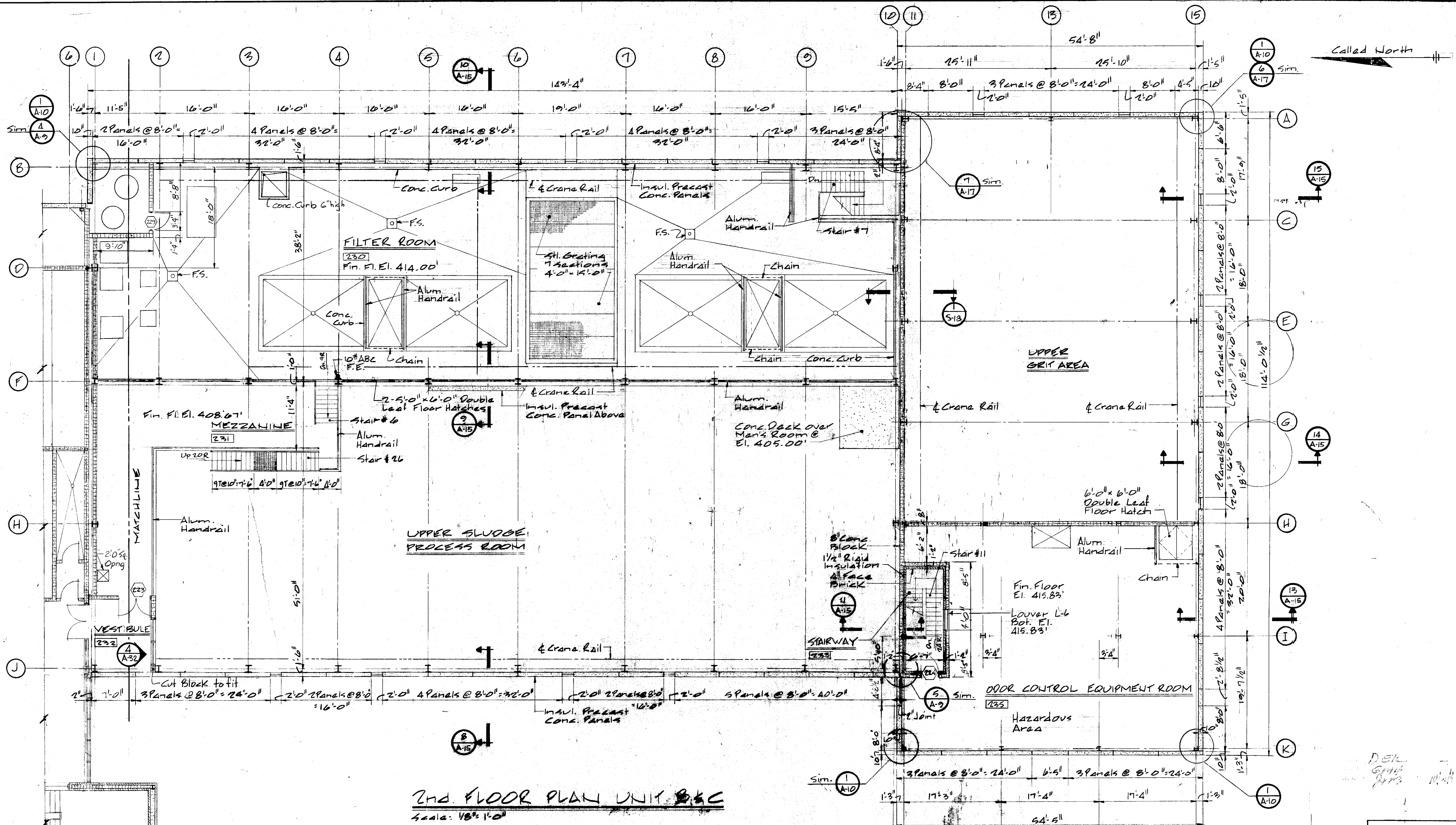
NO.	DATE	REVISION	INIT.
2	9/14/70	General Revisions	
1	5/4/77	General Revisions	

O'BRIEN & GERE
 ENGINEERS, INC.
 Syracuse, New York

CLAY SANITARY DISTRICT
 OAK ORCHARD SERVICE AREA
 OAK ORCHARD WATER POLLUTION CONTROL PLANT

ARCHITECTURAL
 FIRST FLOOR-UNIT B & C
 FLOOR PLAN

FILE NO. 115.219.066F
 DATE JULY 1, 1975
 A-6



2ND FLOOR PLAN UNIT B & C

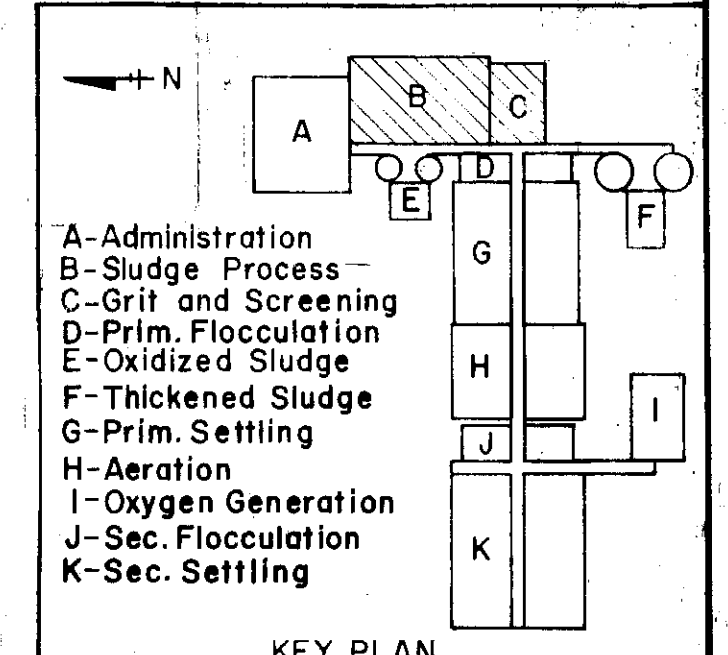
Scale: 1/8" = 1'-0"

Note:

Conc. Panel Fabricator to provide wedge insert for support of Air Handling Units - East Wall of Filter Room 230 and West Wall of Sludge Process Room 151. Coordinate with Contract B & C

Concrete Block Partition Thickness as Noted. Build Up Tight to Structure

DEL
GPH
JMS



In charge of Muramkata
Designed by ADN Checked by ADN
Made by RFB

NO.	DATE	REVISION	INIT.
2	2/14/78	General Revisions	RJA
7	5/14/77	General Revisions	RJA

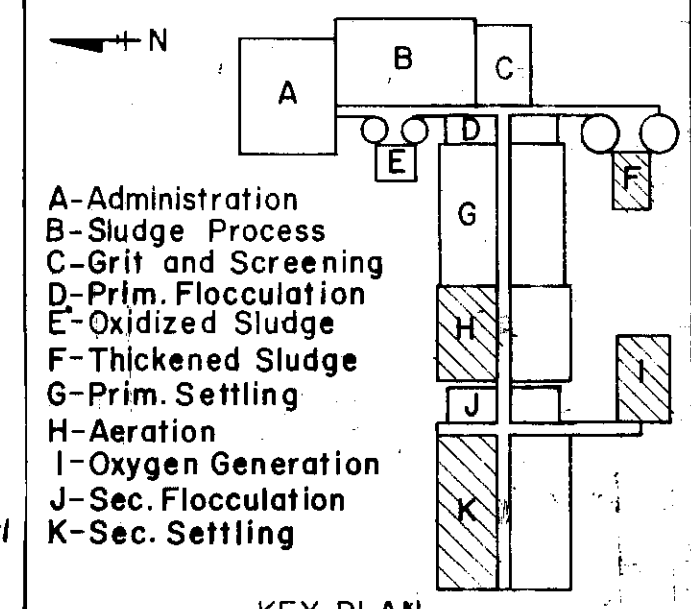
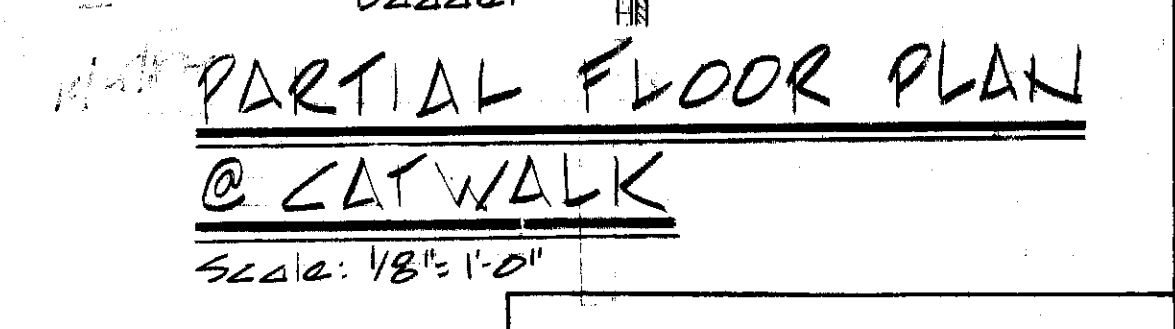
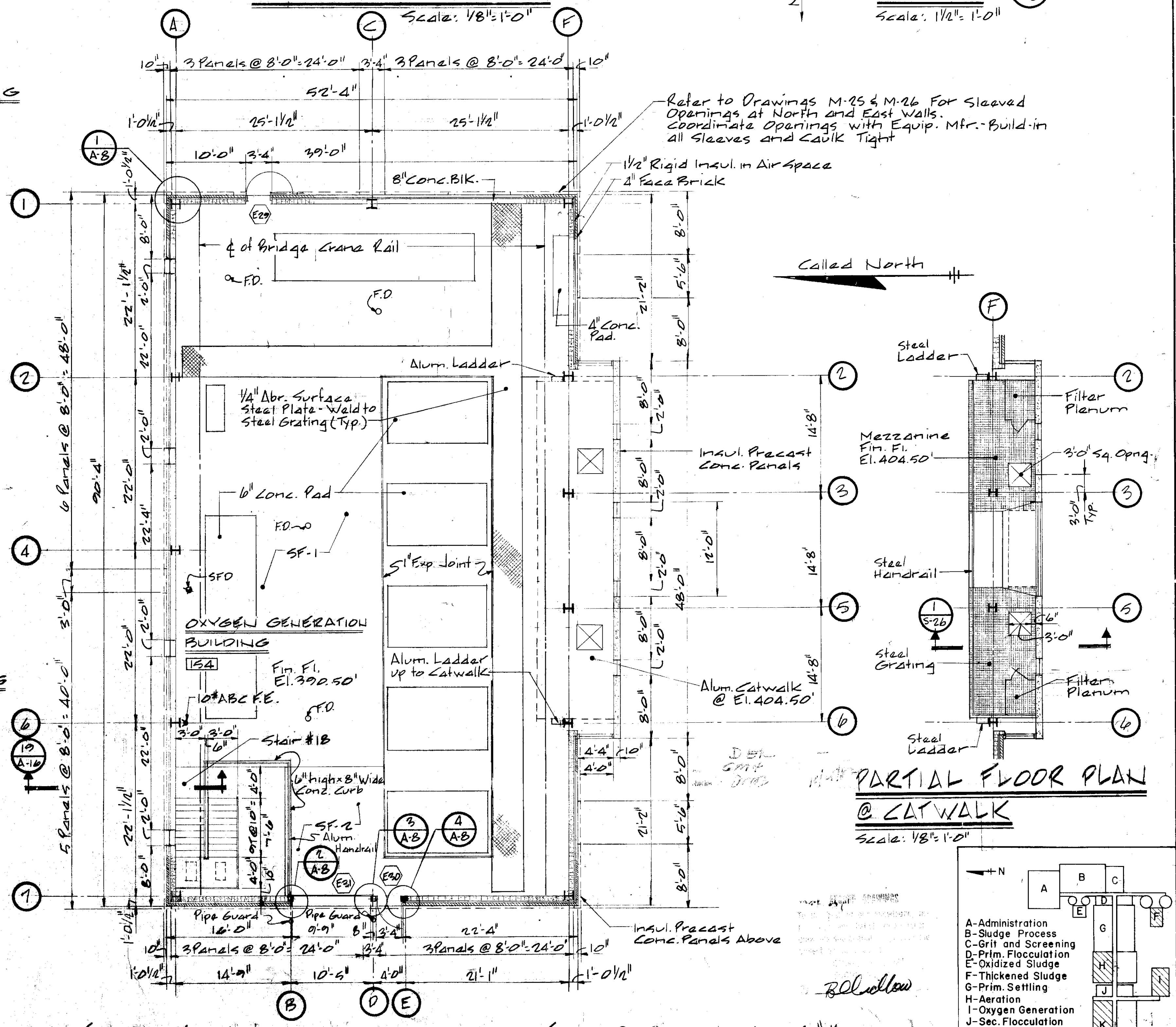
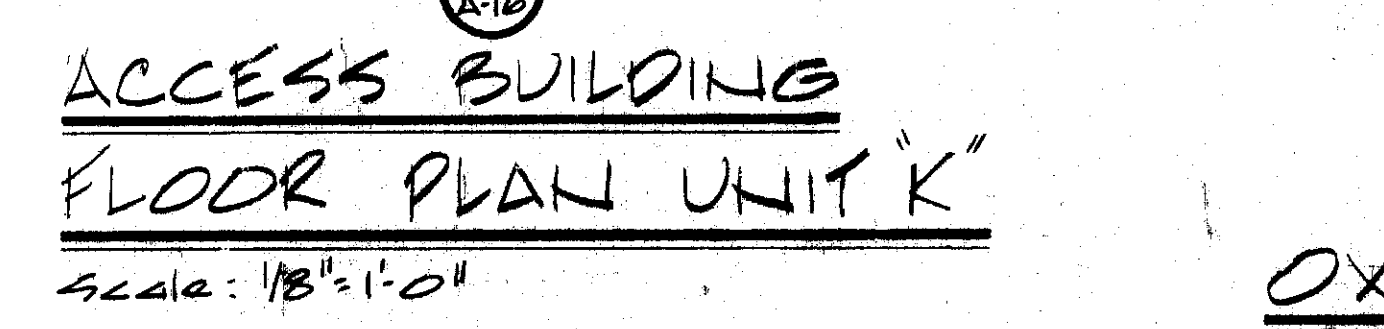
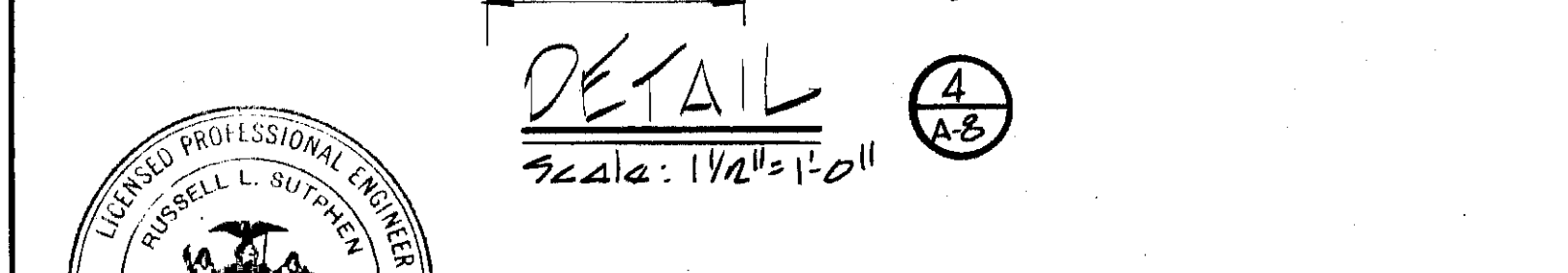
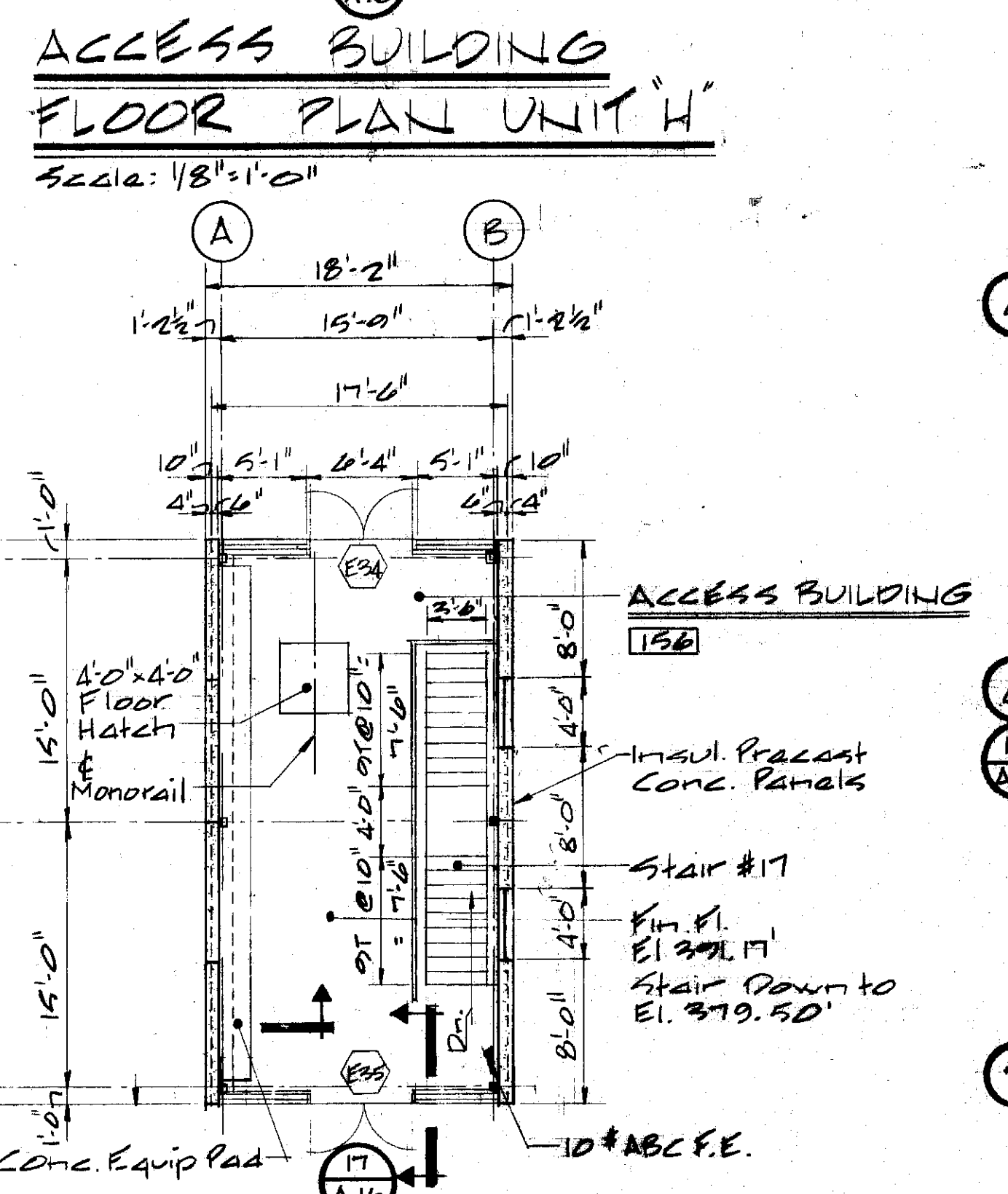
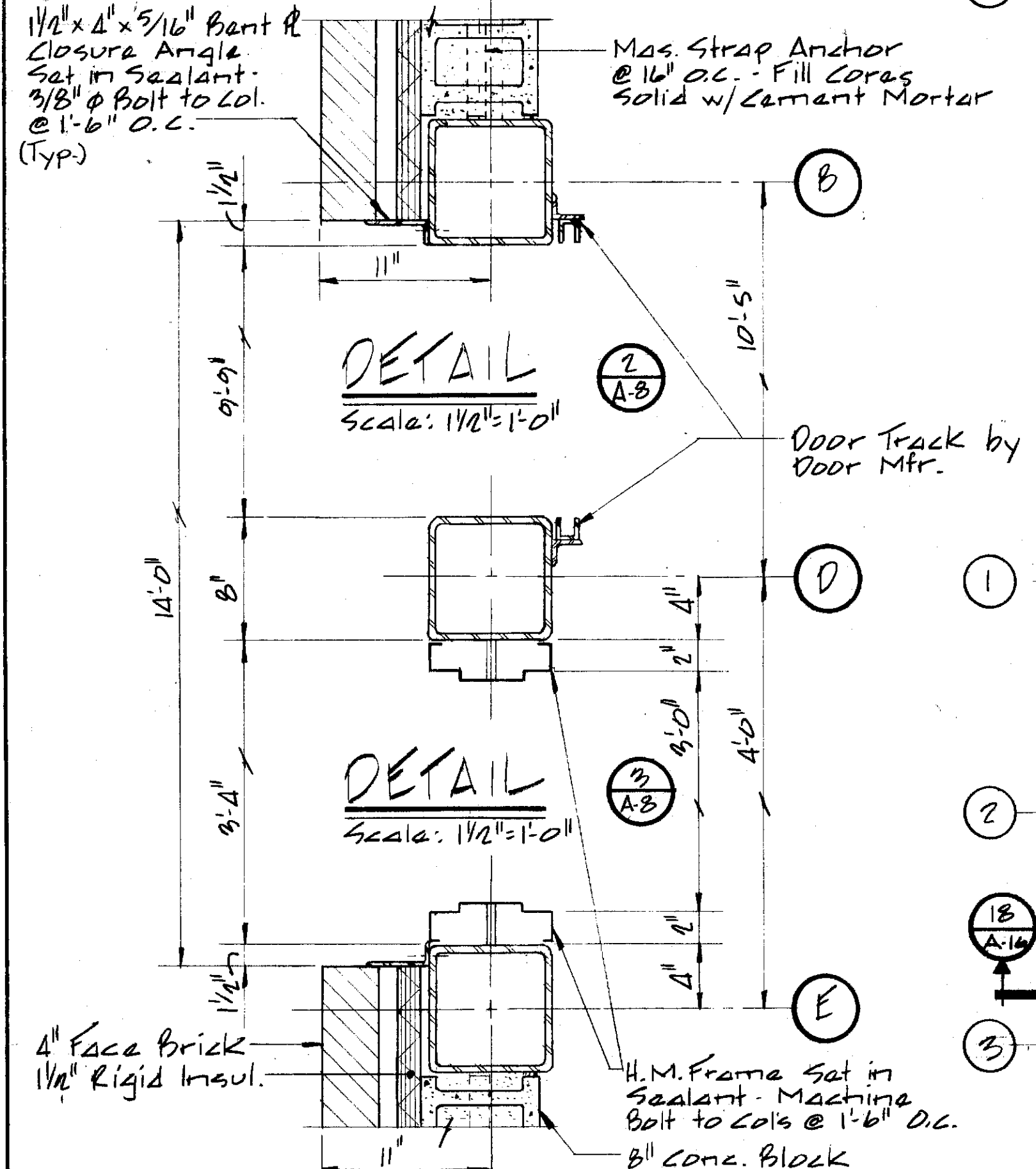
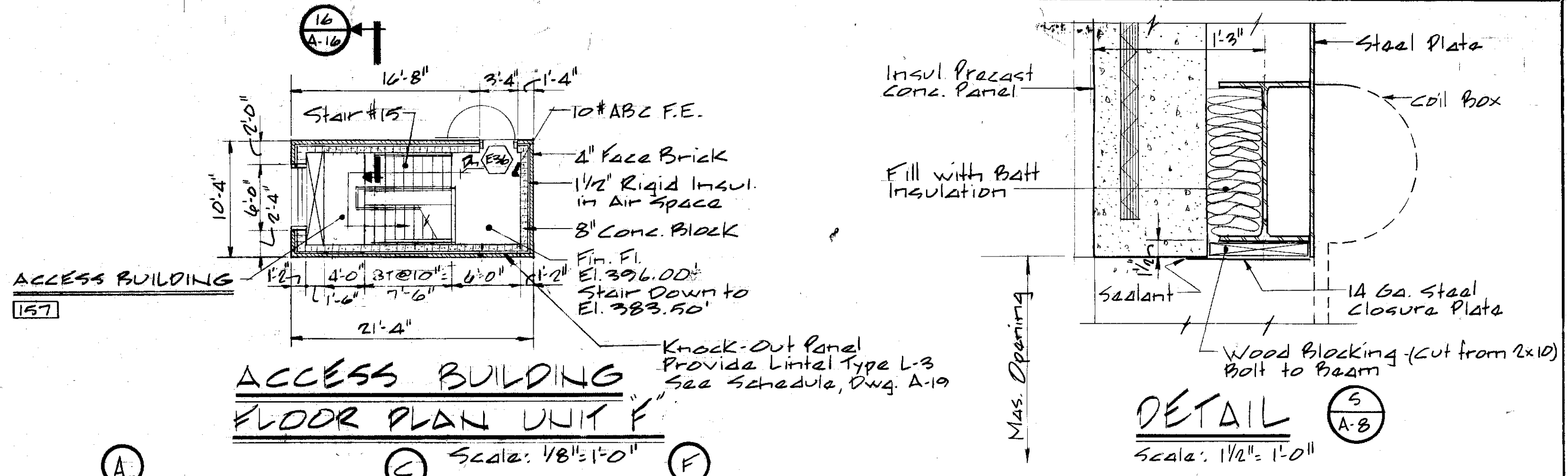
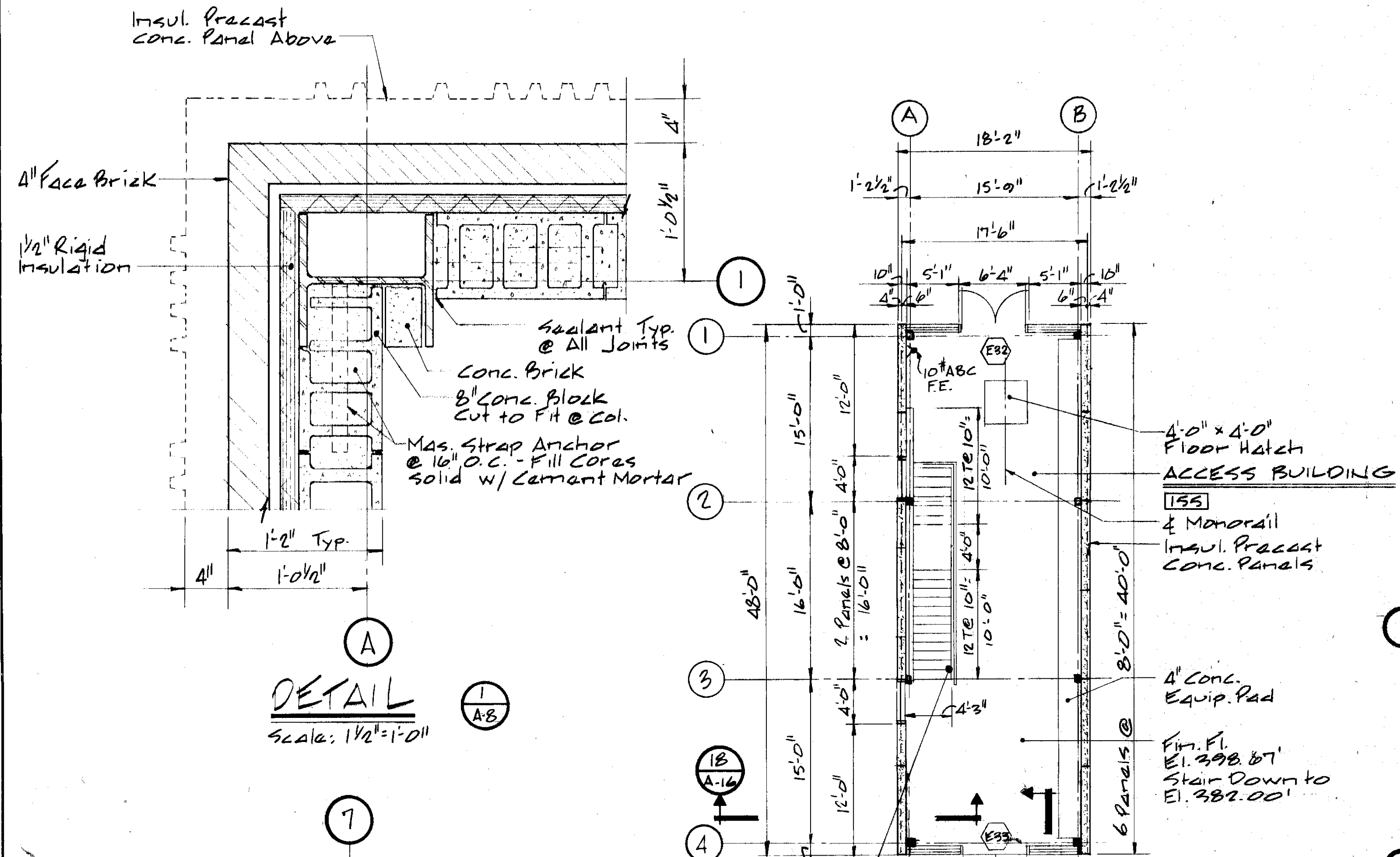


CLAY SANITARY DISTRICT
OAK ORCHARD SERVICE AREA
OAK ORCHARD WATER POLLUTION CONTROL PLANT

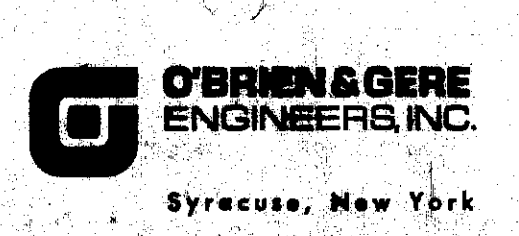
ARCHITECTURAL
SECOND FLOOR-UNIT B & C
PLAN & DETAIL

FILE NO. 115.219.067F
DATE JULY 1, 1975
A-7

Bill Jellow



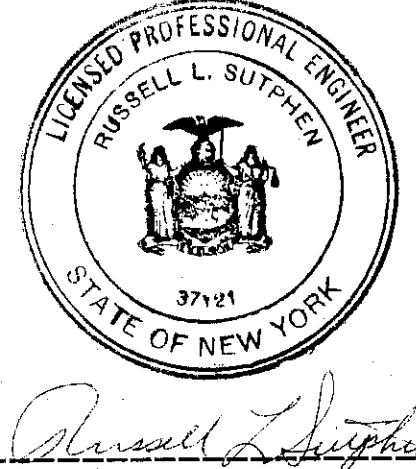
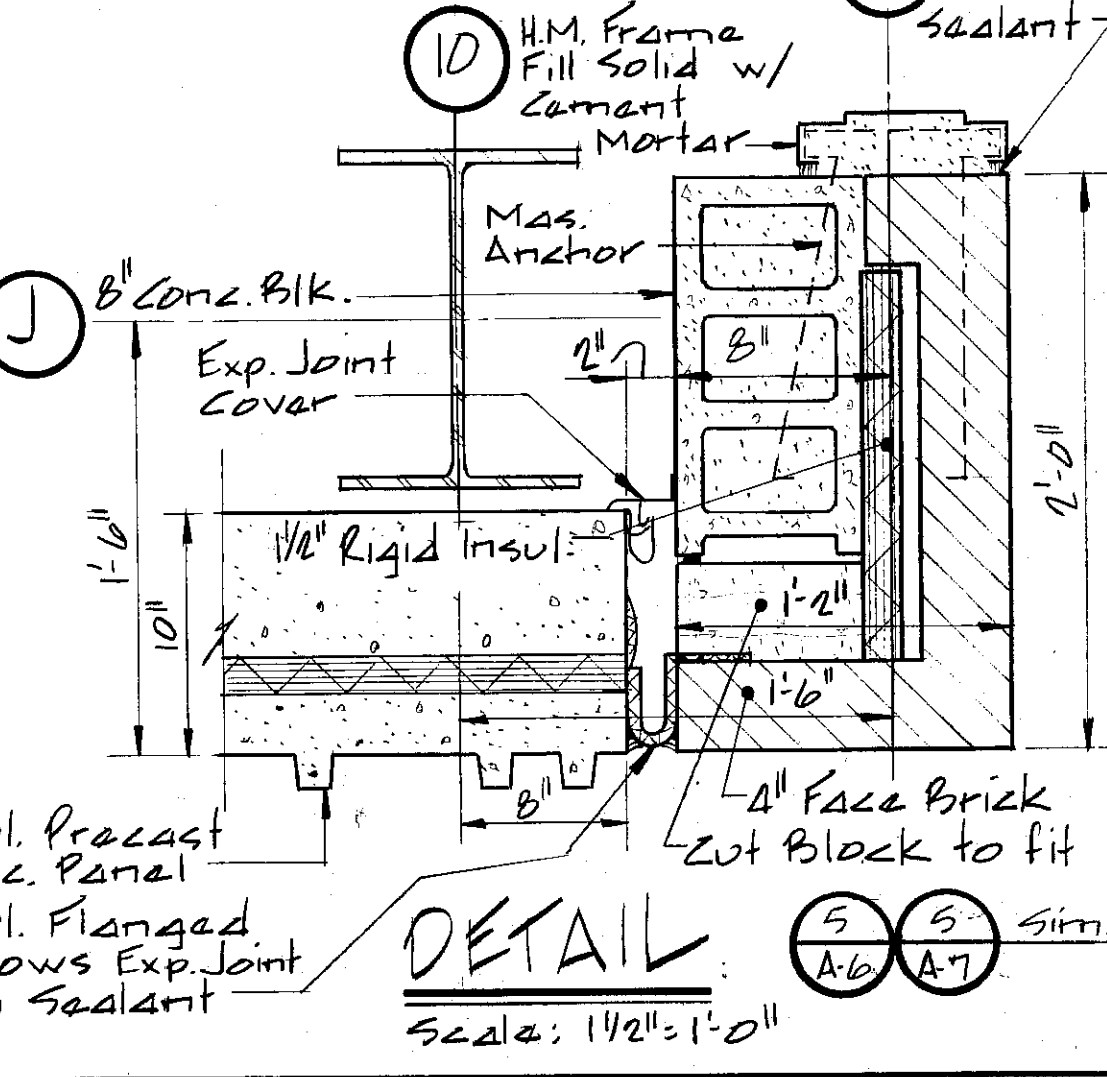
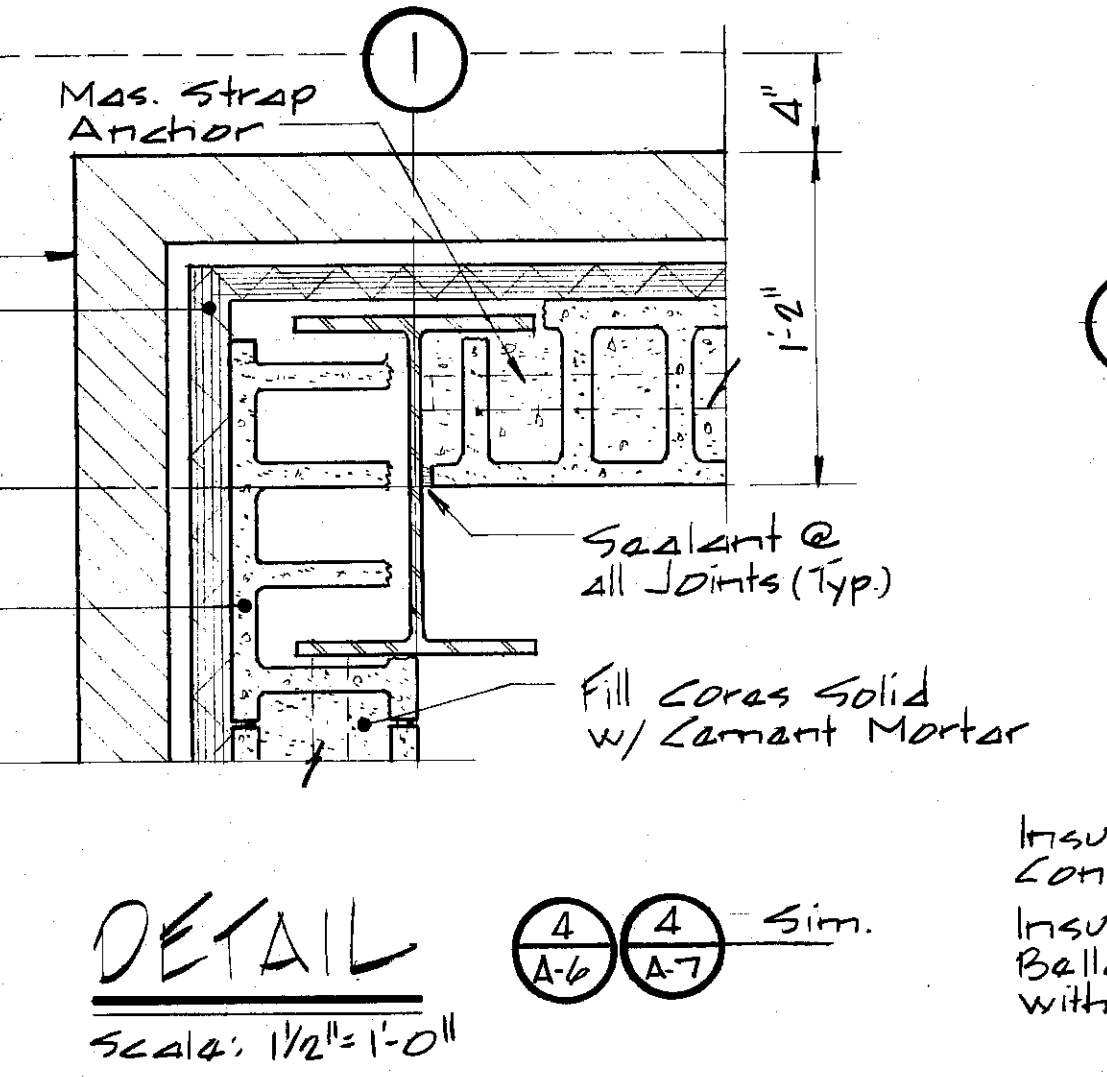
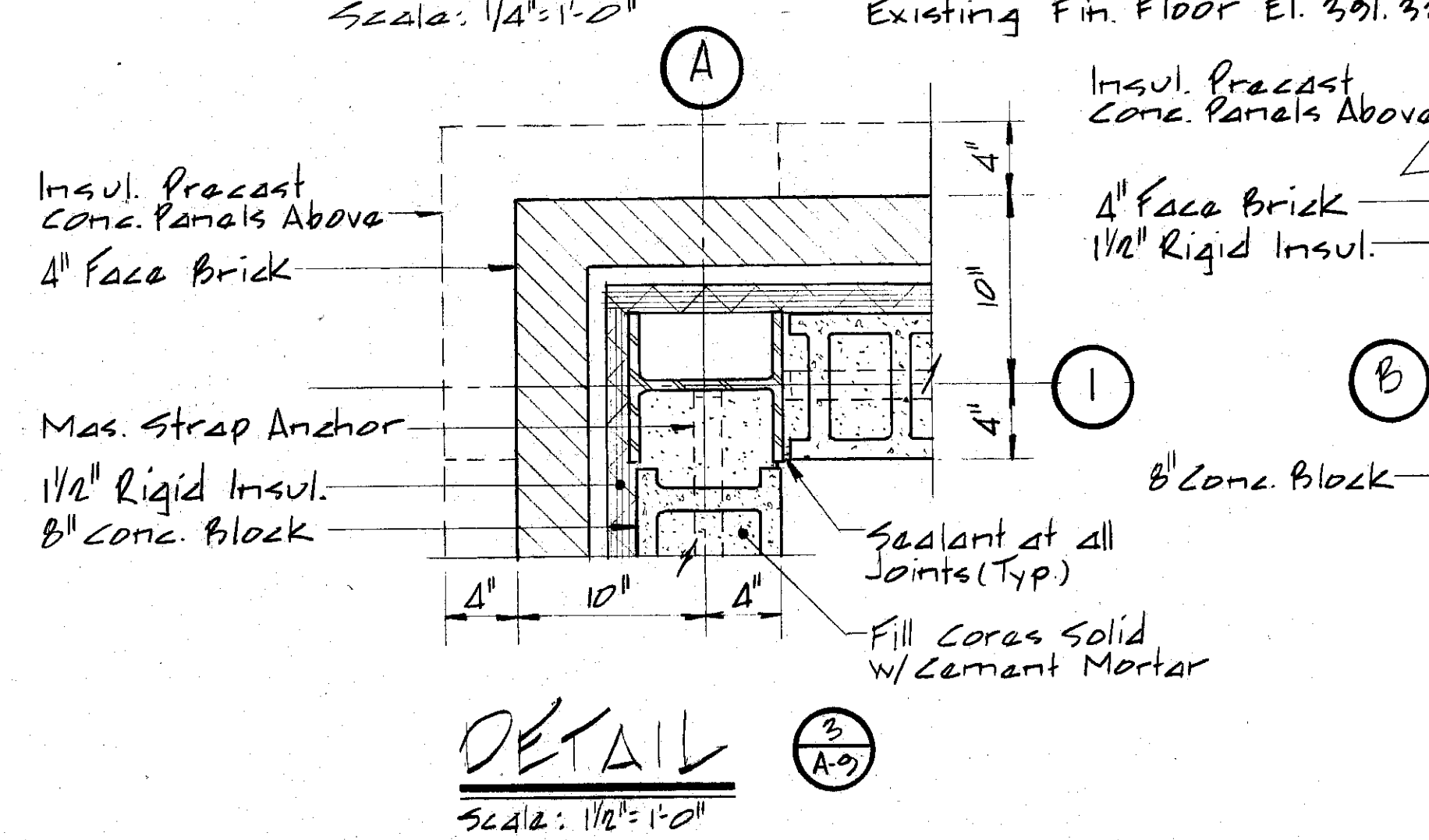
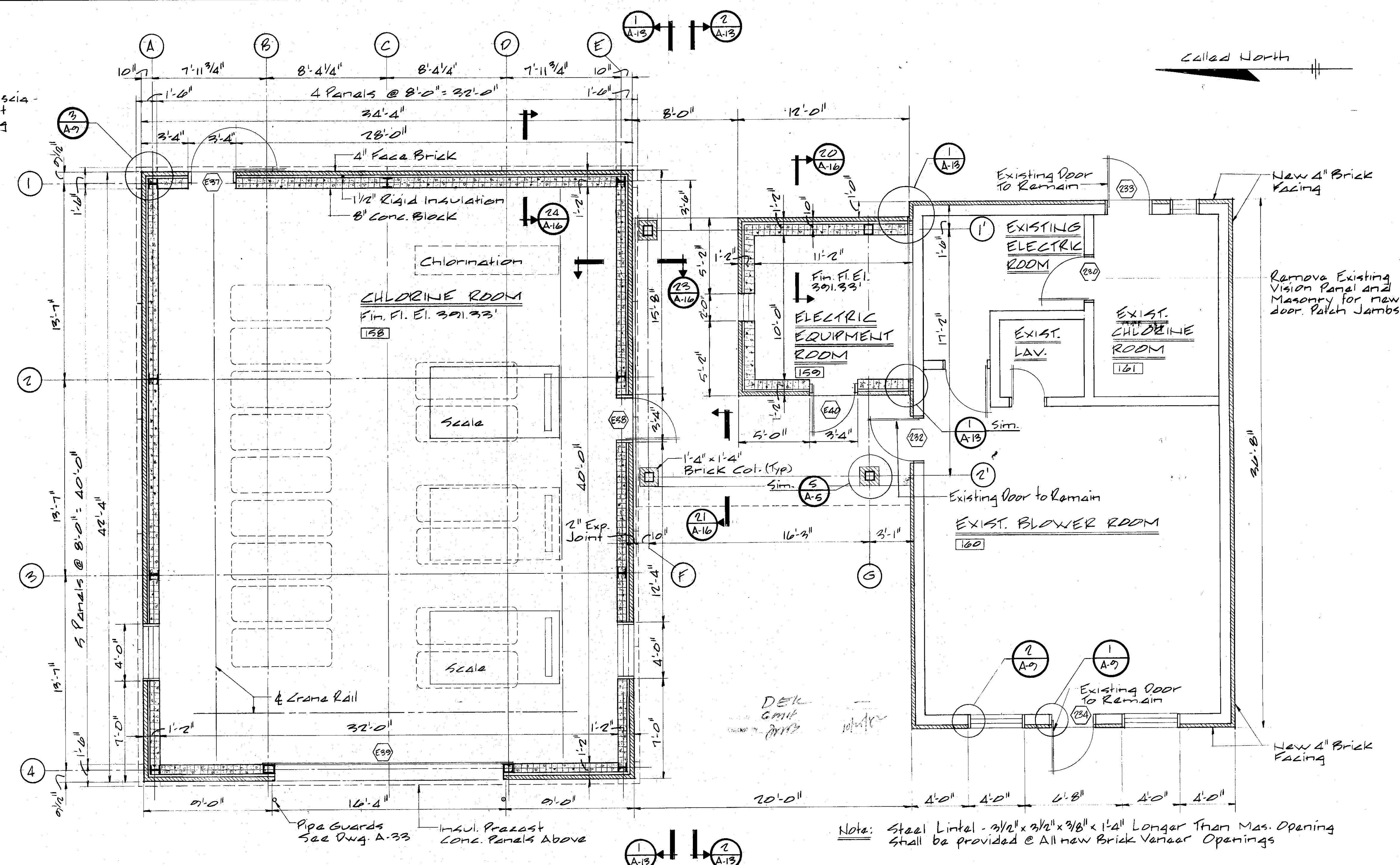
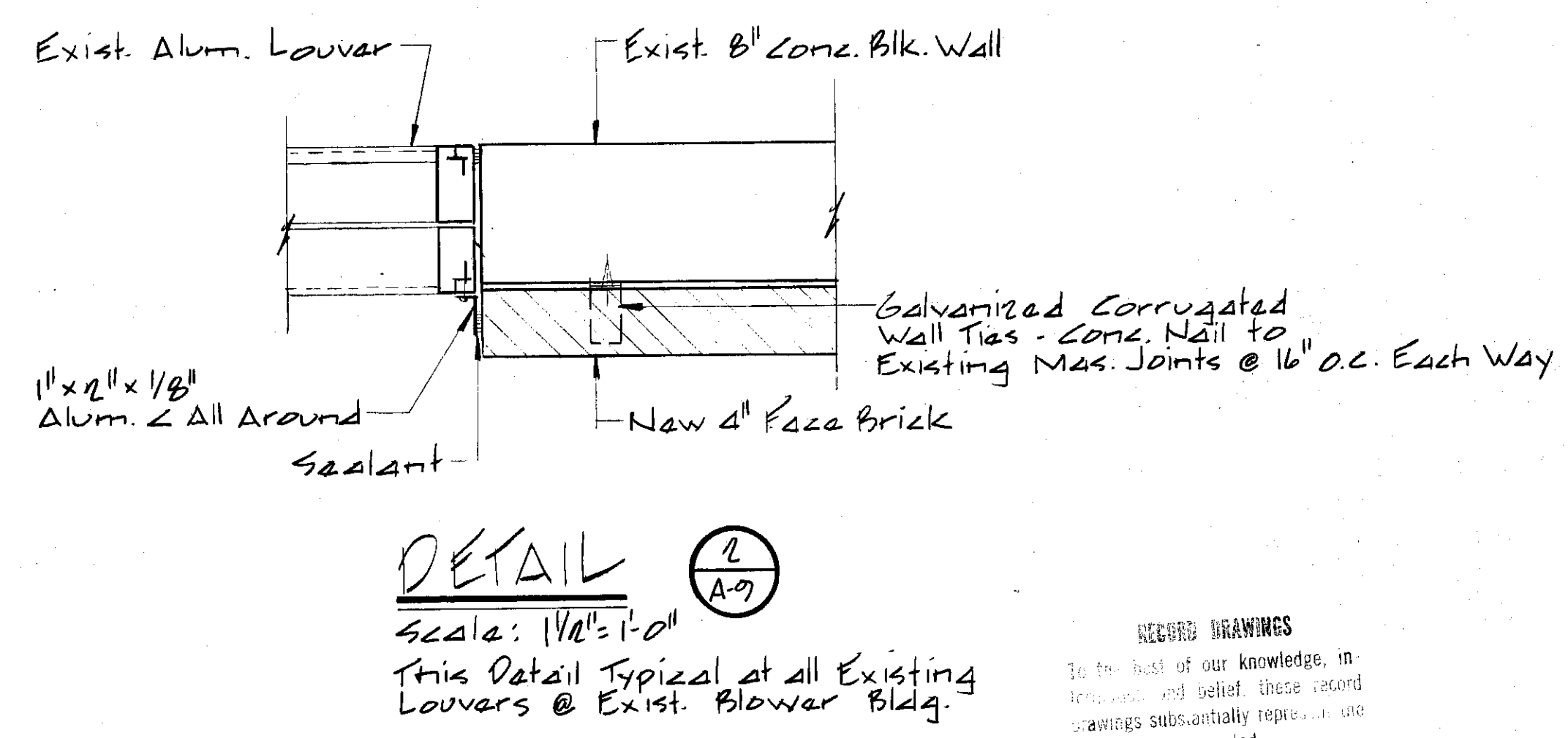
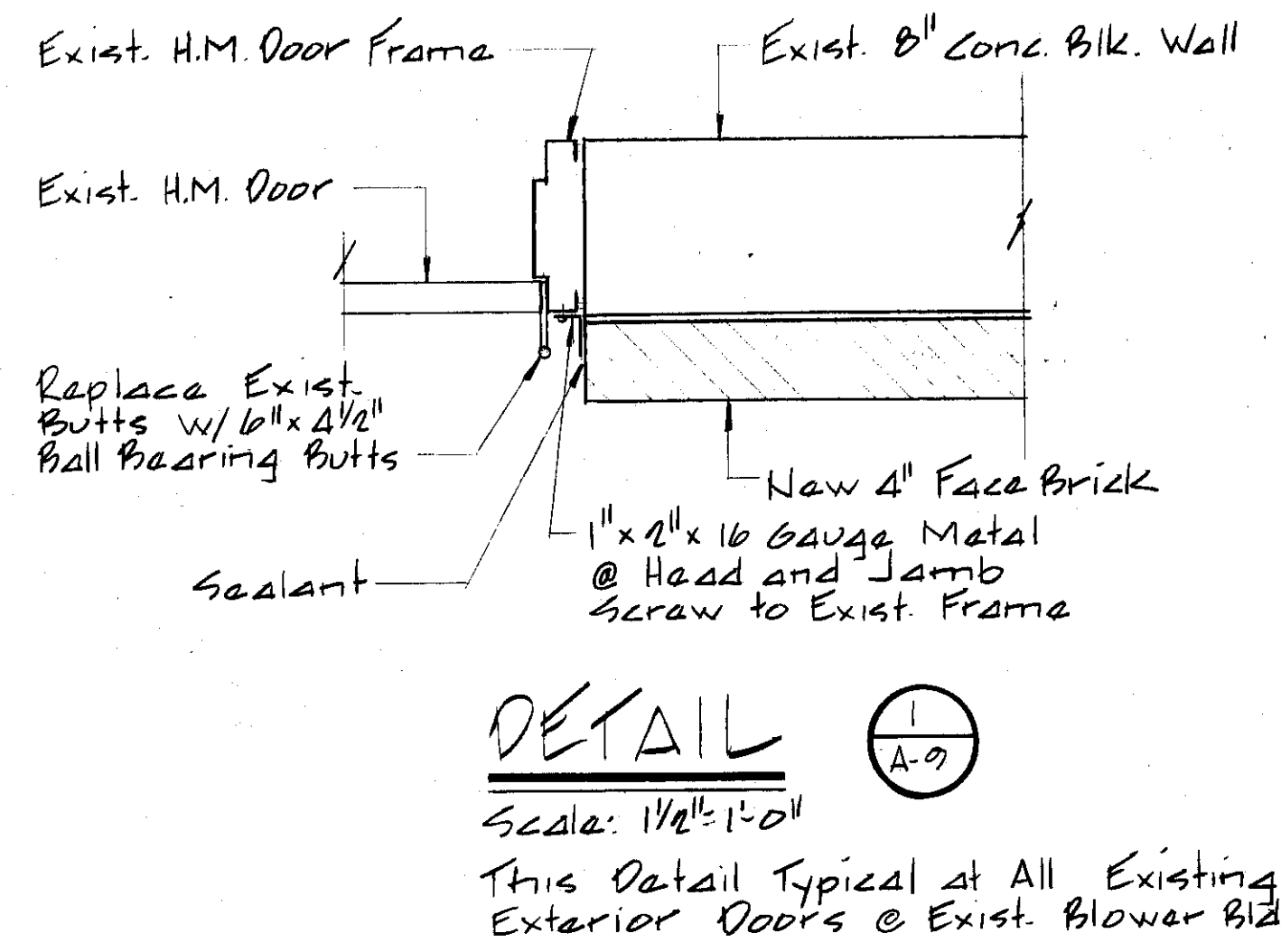
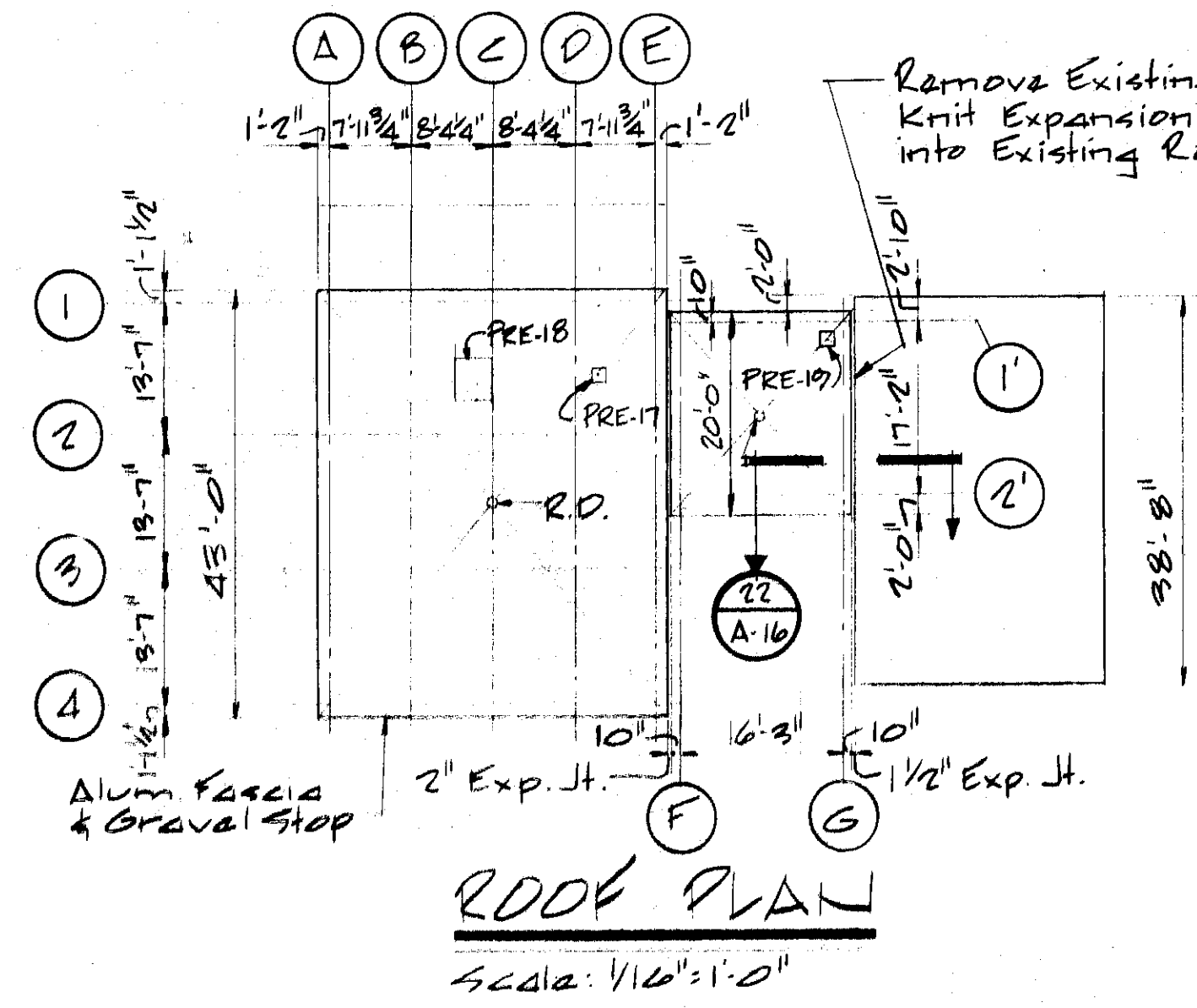
In charge of	M. Manikanta	NO.	DATE	REVISION	INIT.
Designed by	ADD	2	2/14/78	General Revisions	ADD
Checked by	ADD	1	5/4/77	General Revisions	ADD
Made by	RFB				



CLAY SANITARY DISTRICT
OAK ORCHARD SERVICE AREA
OAK ORCHARD WATER POLLUTION CONTROL PLANT

ARCHITECTURAL
UNITS F, H, K, & I
PLANS & DETAILS

FILE NO.	115.219.068F
DATE	JULY 1 1975
	A-8



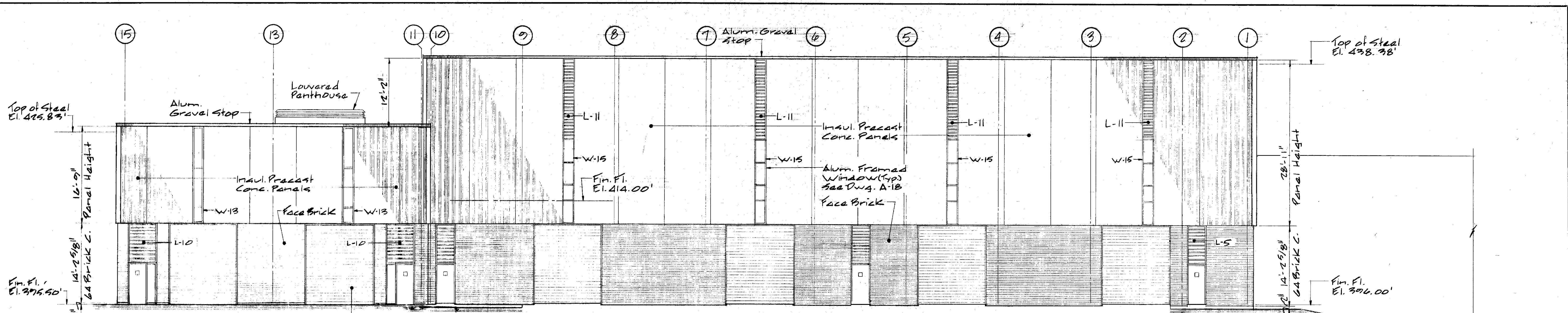
NO.	DATE	REVISION	INIT.
2	8/1/78	General Revisions	
1	5/4/77	General Revisions	

O'BRIEN & GERE ENGINEERS, INC.
Syracuse, New York

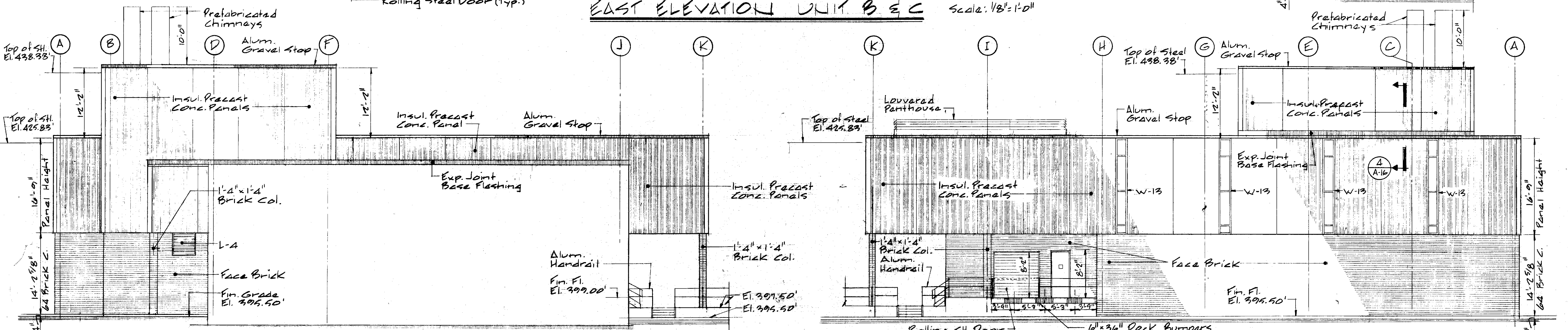
CLAY SANITARY DISTRICT
OAK ORCHARD SERVICE AREA
OAK ORCHARD WATER POLLUTION CONTROL PLANT

ARCHITECTURAL
CHLORINATION BUILDING
FLOOR & ROOF PLAN

FILE NO.
115.219.069F
DATE
JULY 1, 1975
A-9

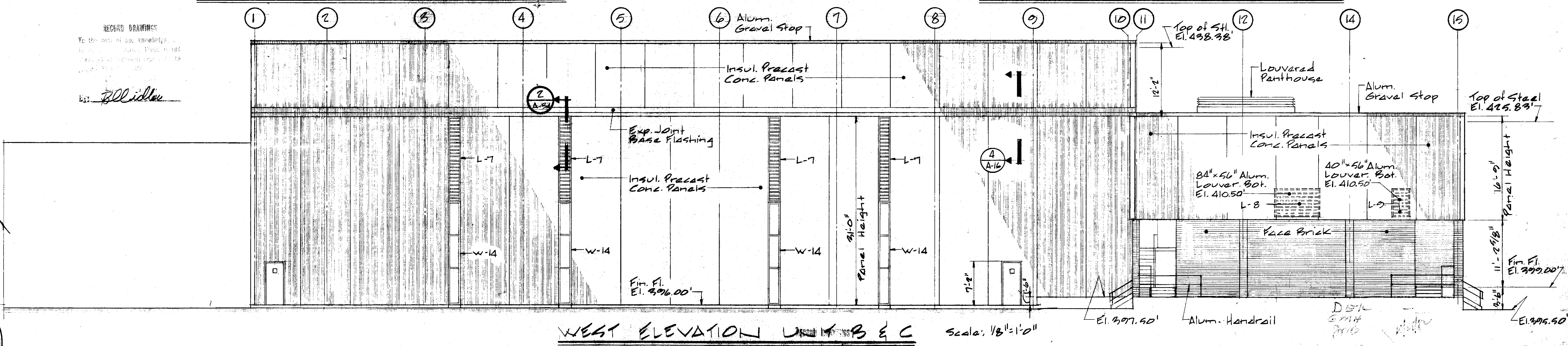


EAST ELEVATION UNIT B & C Scale: 1/8" = 1'-0"



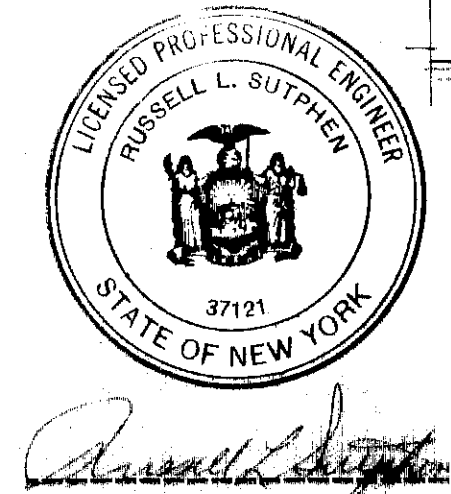
NORTH ELEVATION UNIT B & C Scale: 1/8" = 1'-0"

SOUTH ELEVATION UNIT B & C Scale: 1/8" = 1'-0"



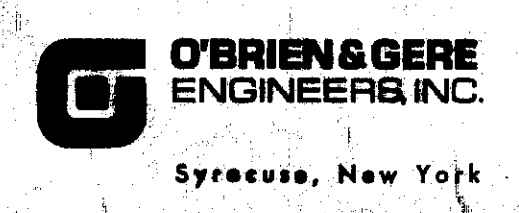
WEST ELEVATION UNIT B & C Scale: 1/8" = 1'-0"

RECORD DRAWINGS
To the best of our knowledge,
we have prepared these records
in accordance with the provisions
of the State Engineering Law.
Date: 7/1/75
By: RLL/idl



In charge of M. M. Katala
Designed by ADN Checked by ADN
Made by RFB

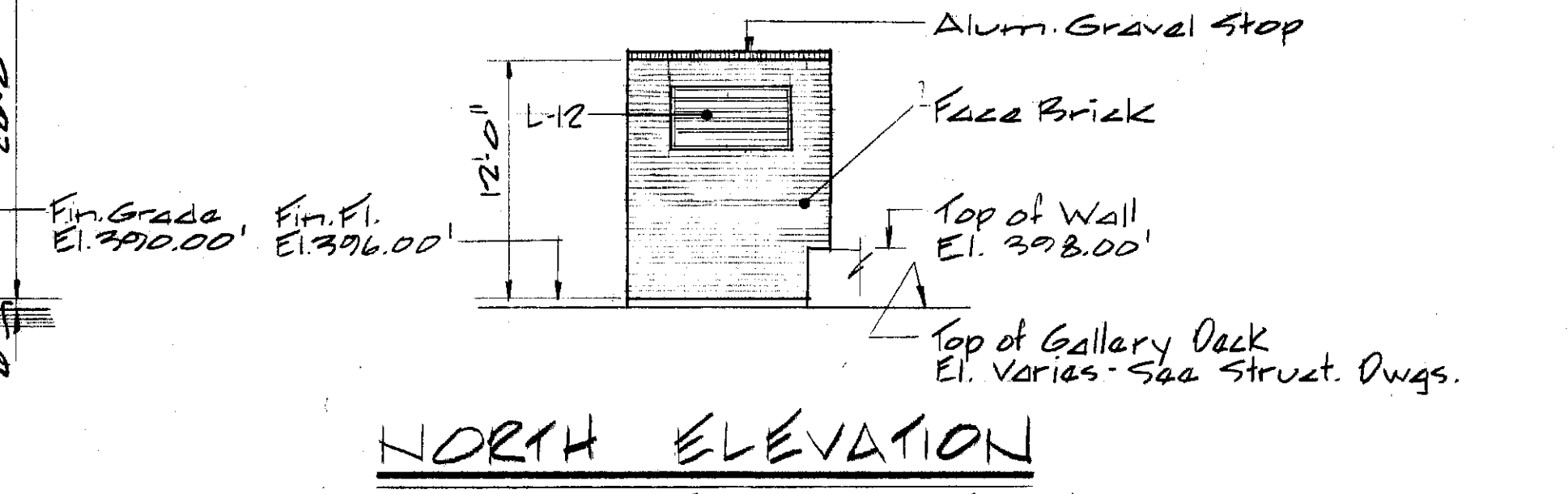
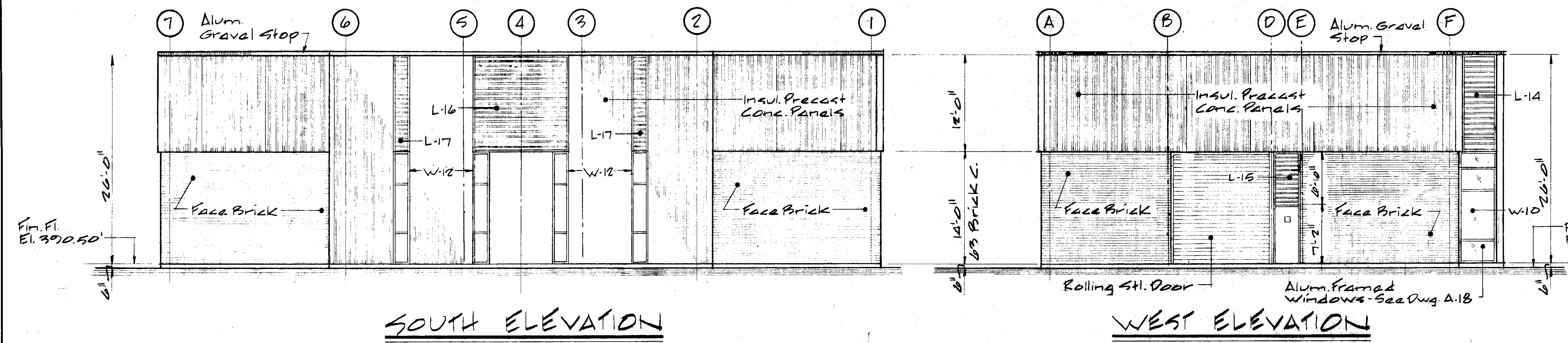
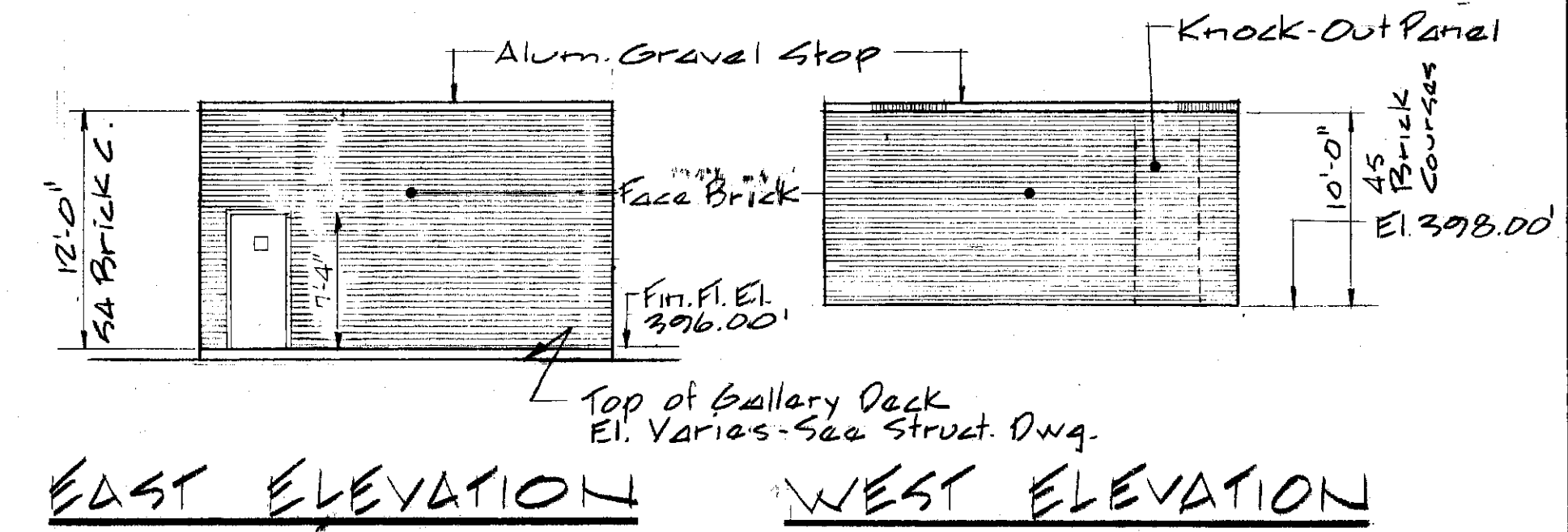
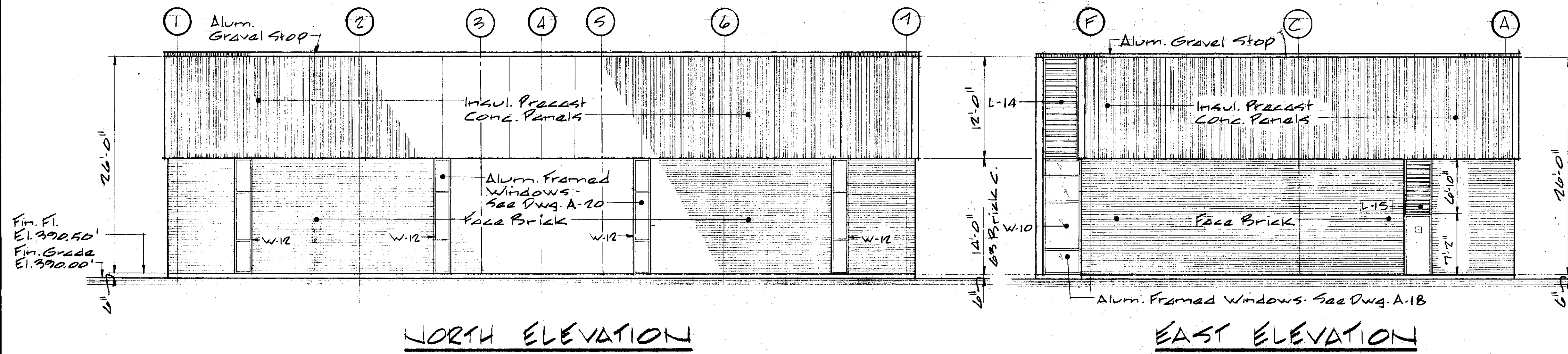
NO.	DATE	REVISION	INIT.
2	3/14/78	General Revisions	RFB
1	5/4/77	General Revisions	RFB



CLAY SANITARY DISTRICT
OAK ORCHARD SERVICE AREA
OAK ORCHARD WATER POLLUTION CONTROL PLANT

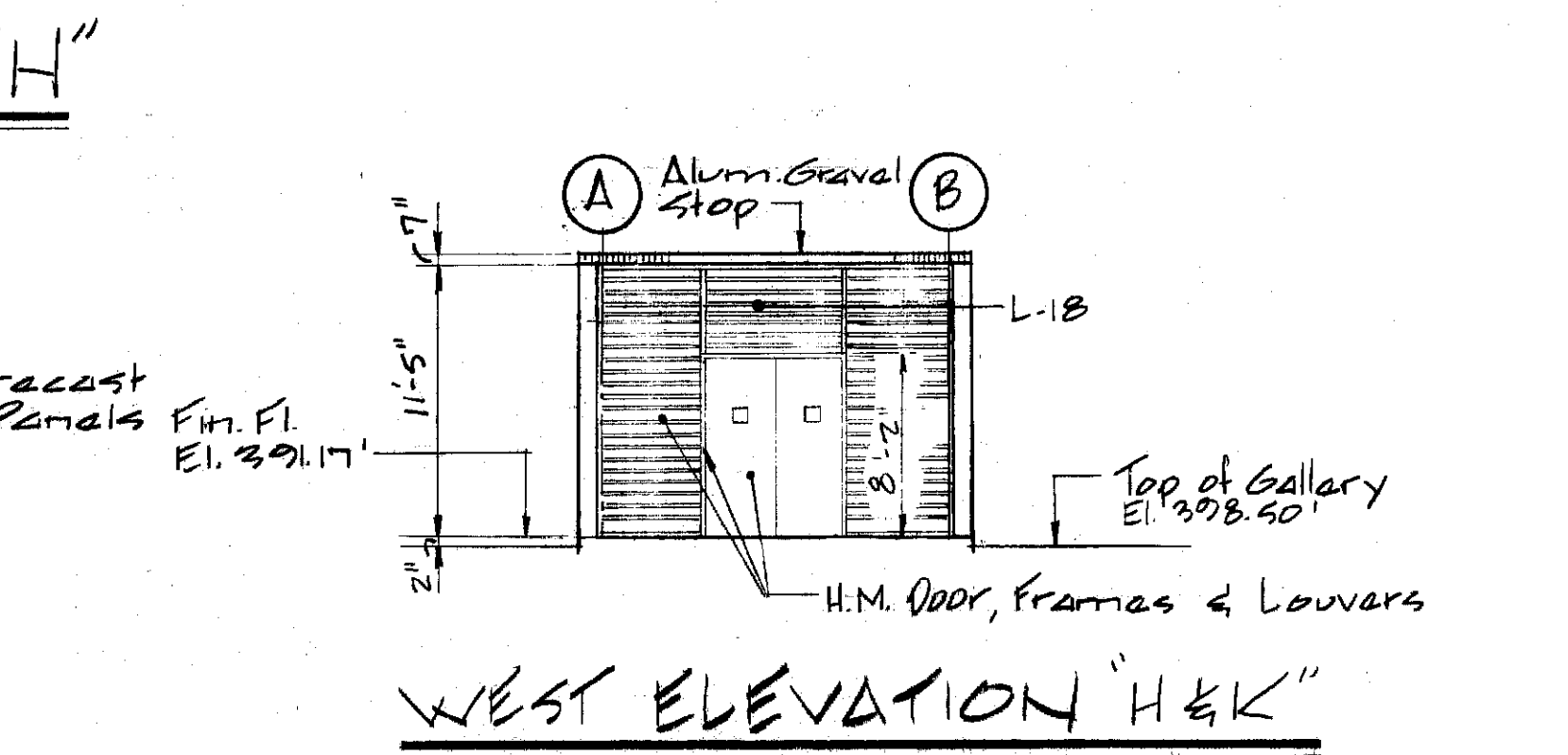
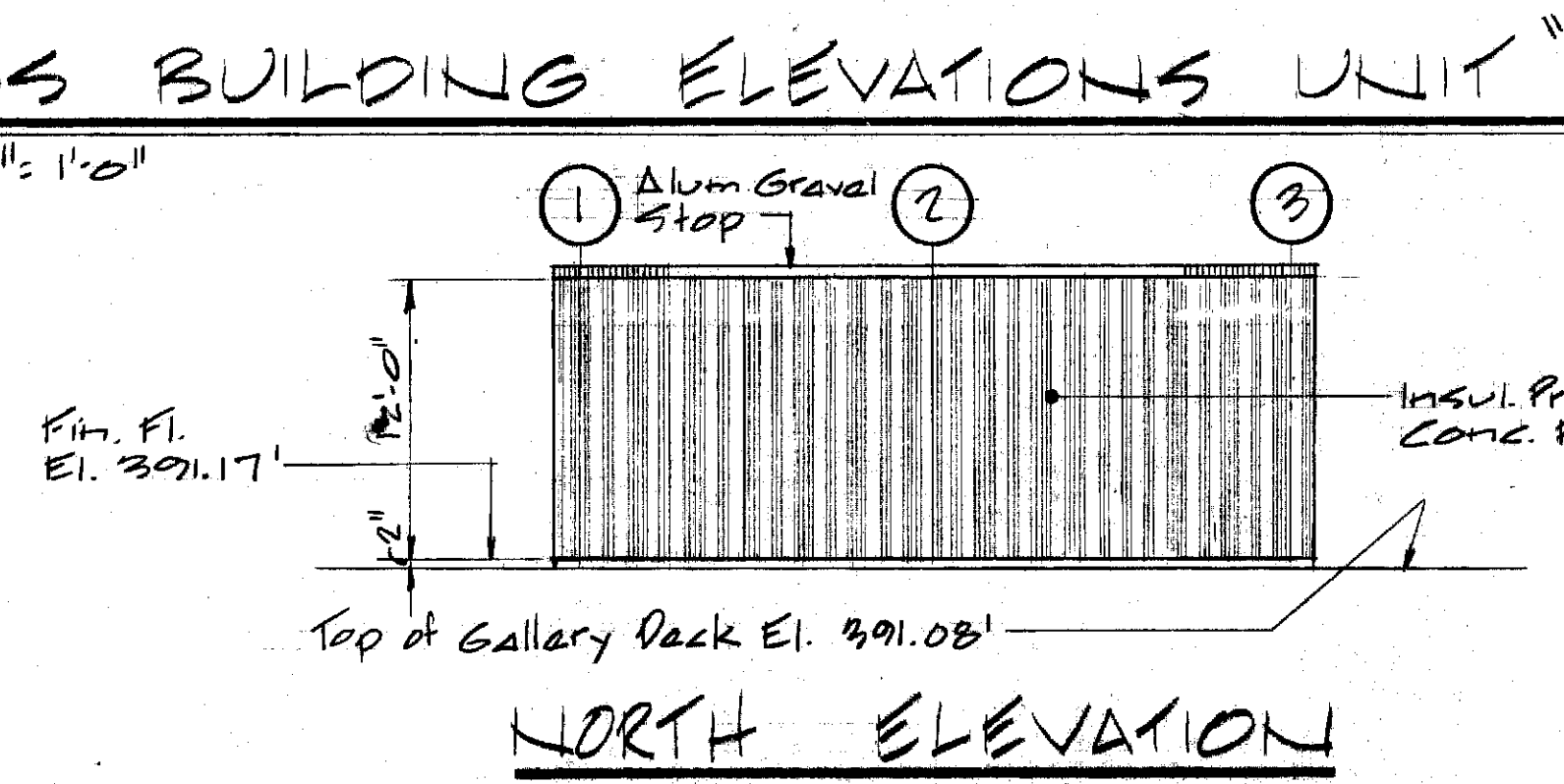
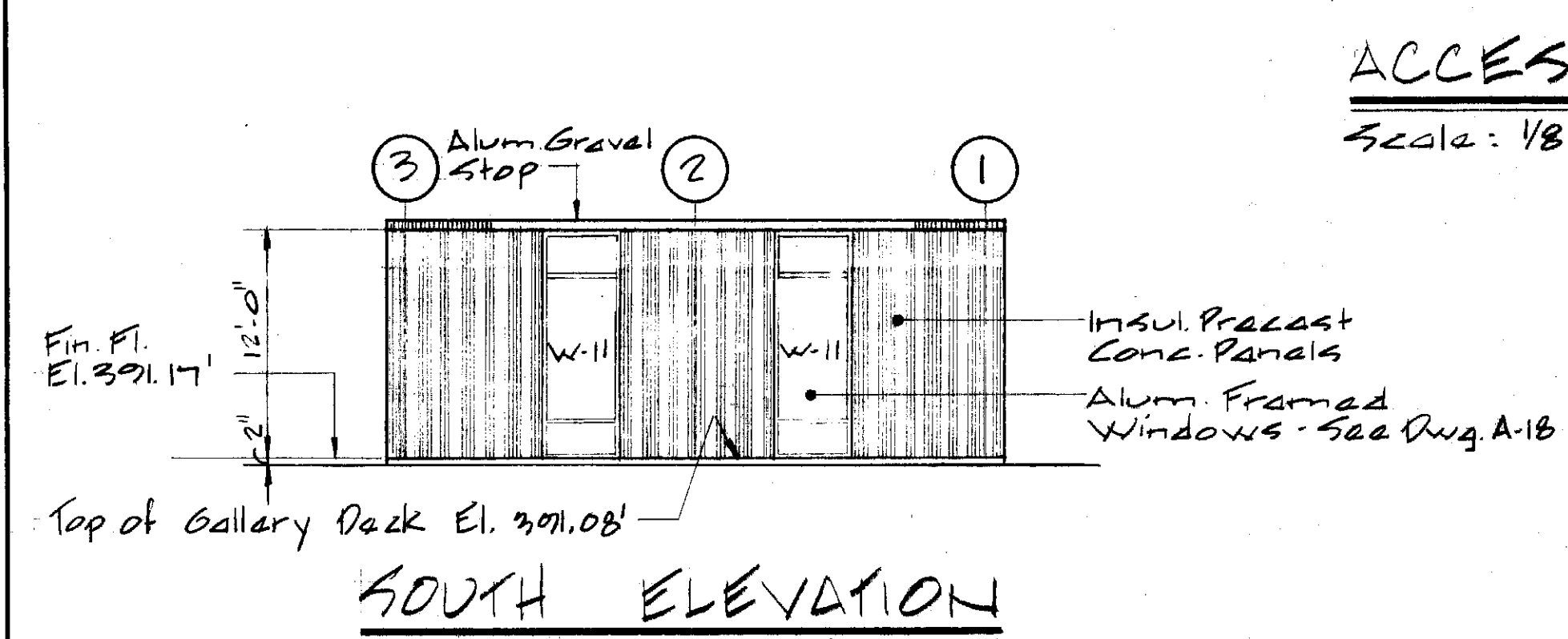
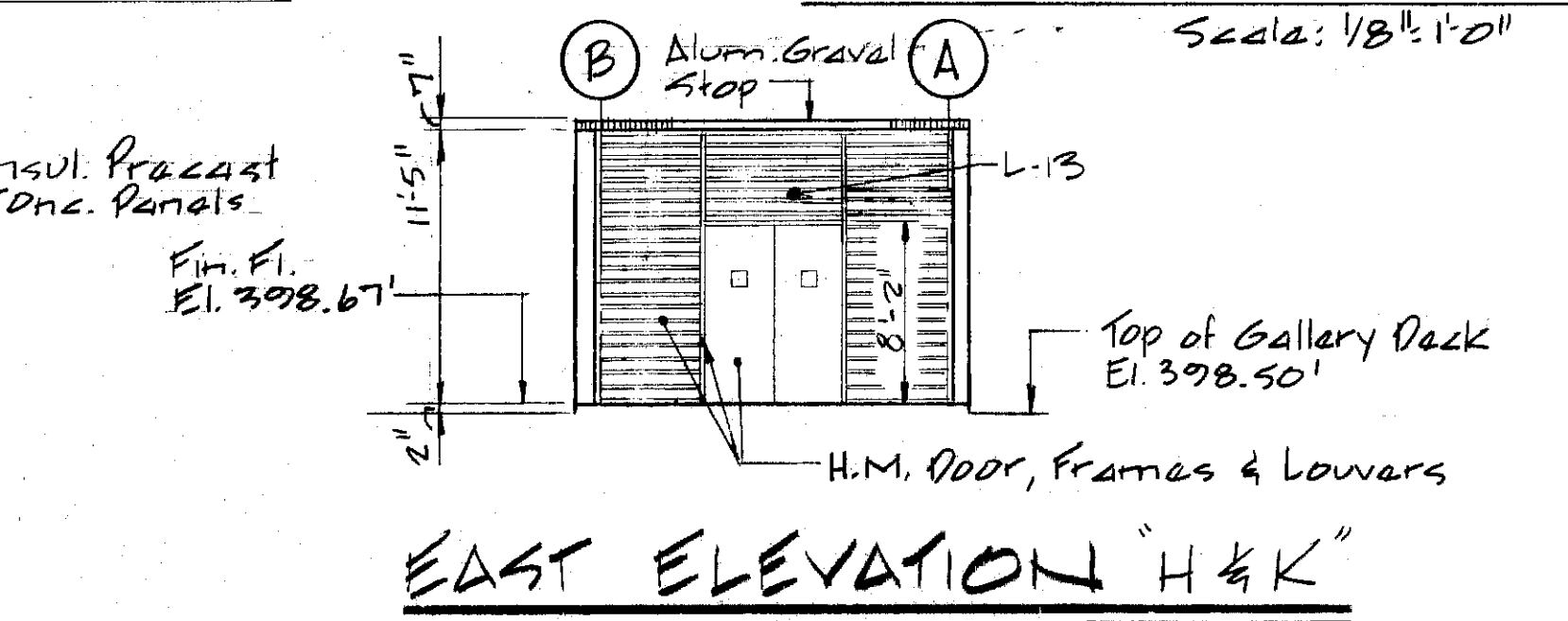
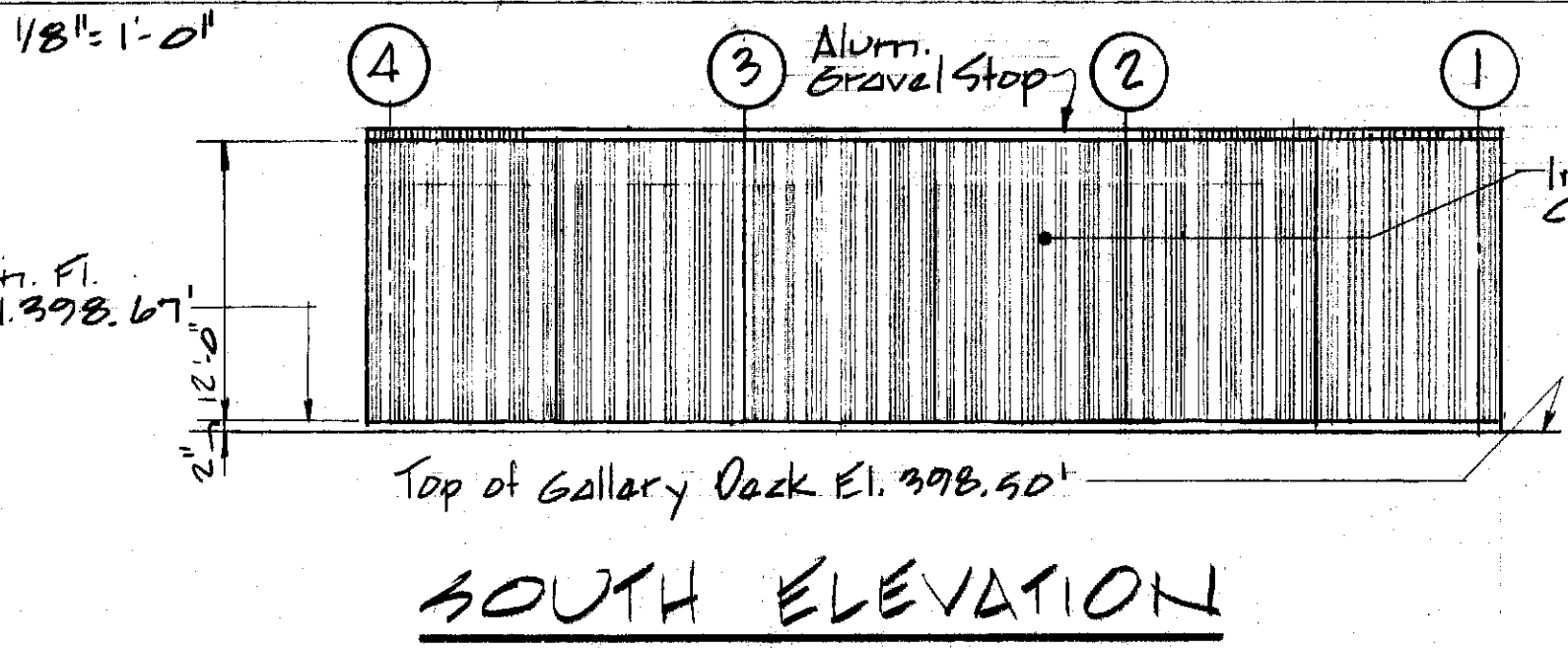
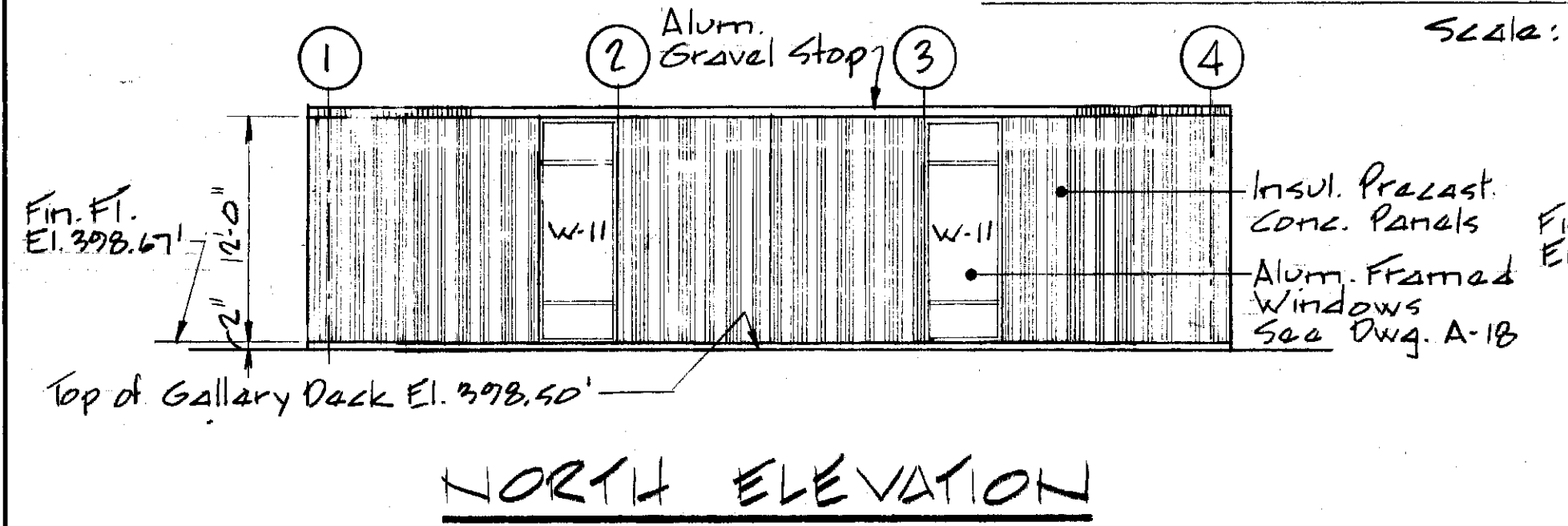
ARCHITECTURAL
UNIT B
ELEVATIONS

FILE NO. 115.219.071F
DATE JULY 1, 1975
A-11

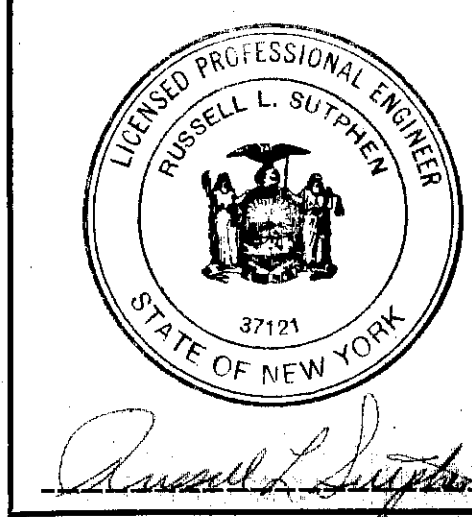


OXYGEN GENERATION BUILDING ELEVATIONS UNIT "I"

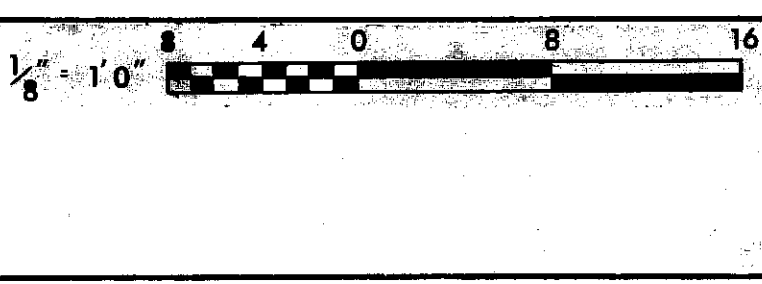
ACCESS BUILDING ELEVATIONS UNIT "F"



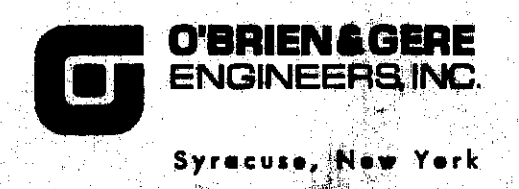
ACCESS BUILDING ELEVATIONS UNIT "K"



In charge of *M. Minnikella*
 Designed by *ADW* Checked by *ADW*
 Made by *REB*



NO.	DATE	REVISION	INIT.
2	2/4/78	General Revisions	REB
1	5/4/77	General Revisions	REB

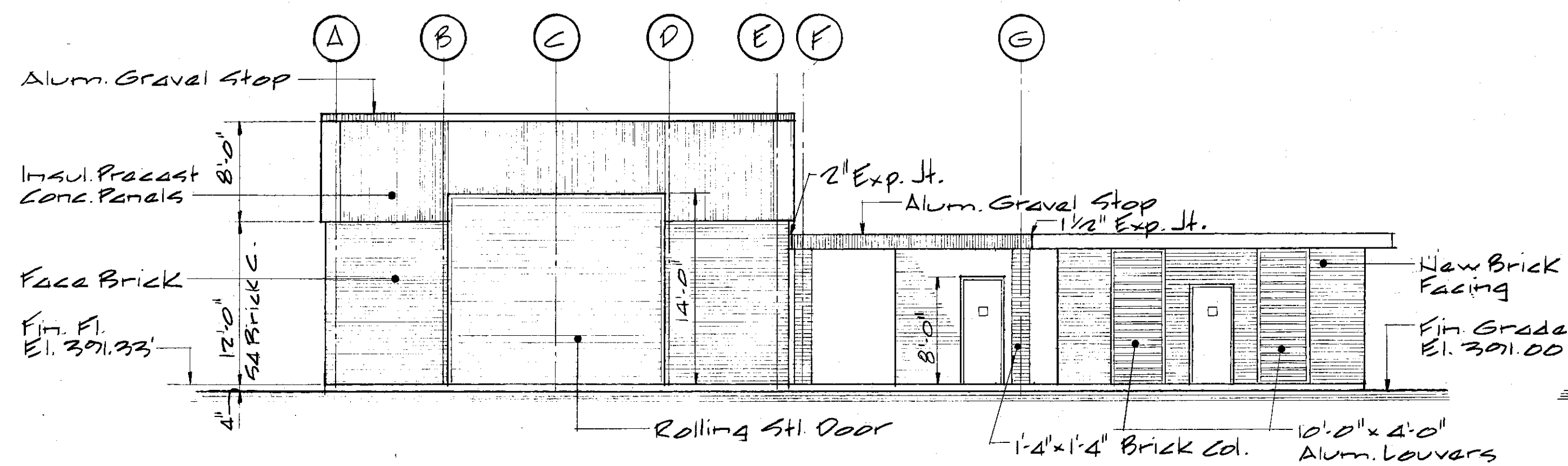


CLAY SANITARY DISTRICT
 OAK ORCHARD SERVICE AREA
 OAK ORCHARD WATER POLLUTION CONTROL PLANT

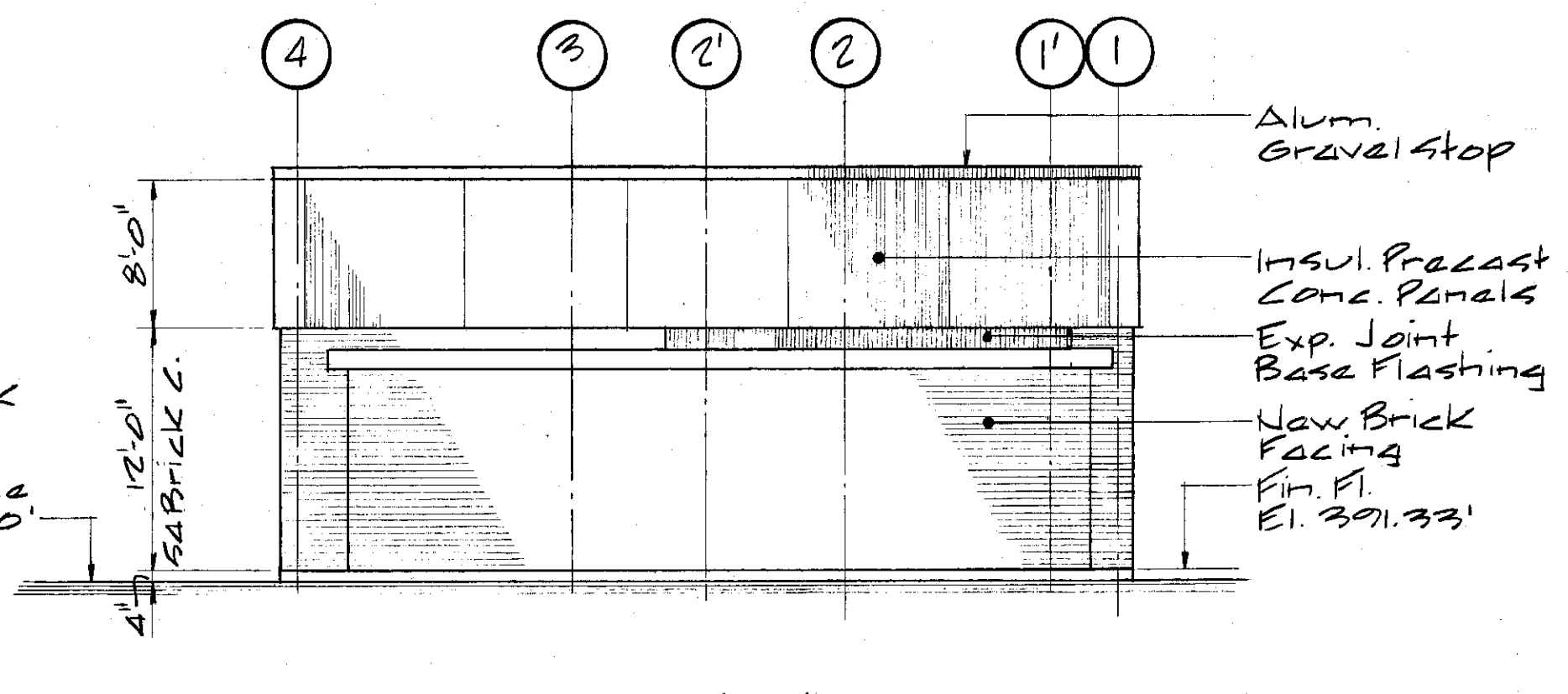
ARCHITECTURAL
 ELEVATIONS

FILE NO. 115.219.072F
 DATE JULY 1, 1975
 A-12

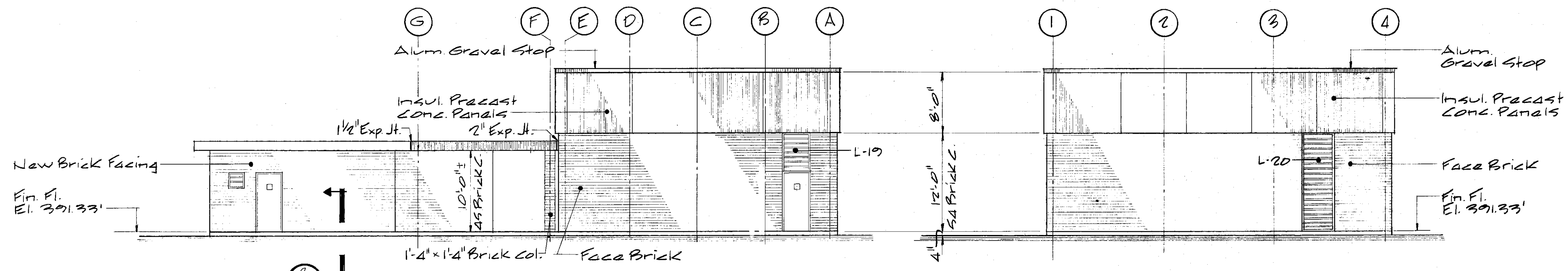
DETAILED
 2013 - 10/13
 RECORD DRAWING
 To the best of our knowledge in accordance with the provisions of the New York State Engineering Law of 1968, the undersigned hereby certifies that the above is a true and correct copy of the original drawing as filed in the office of the State of New York.
 Russell L. Sutphen



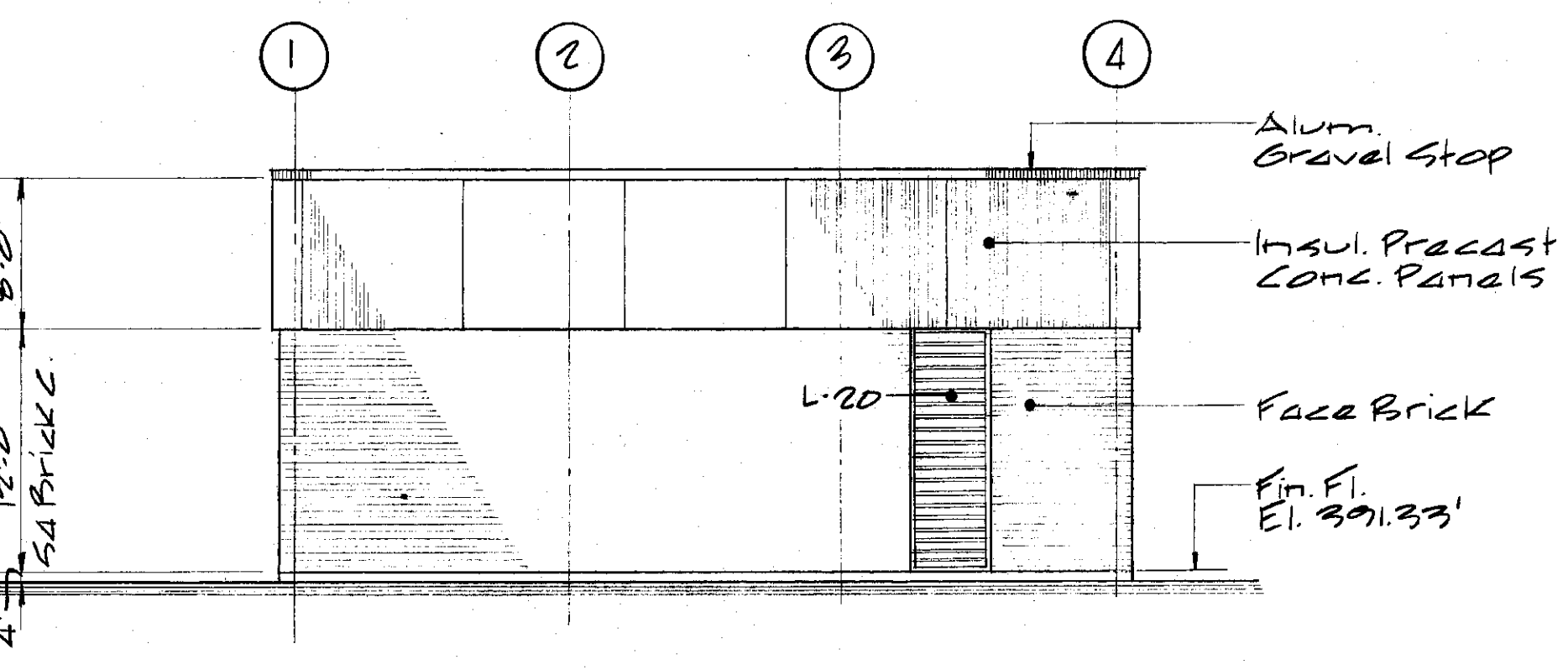
WEST ELEVATION
Scale: 1/8" = 1'-0"



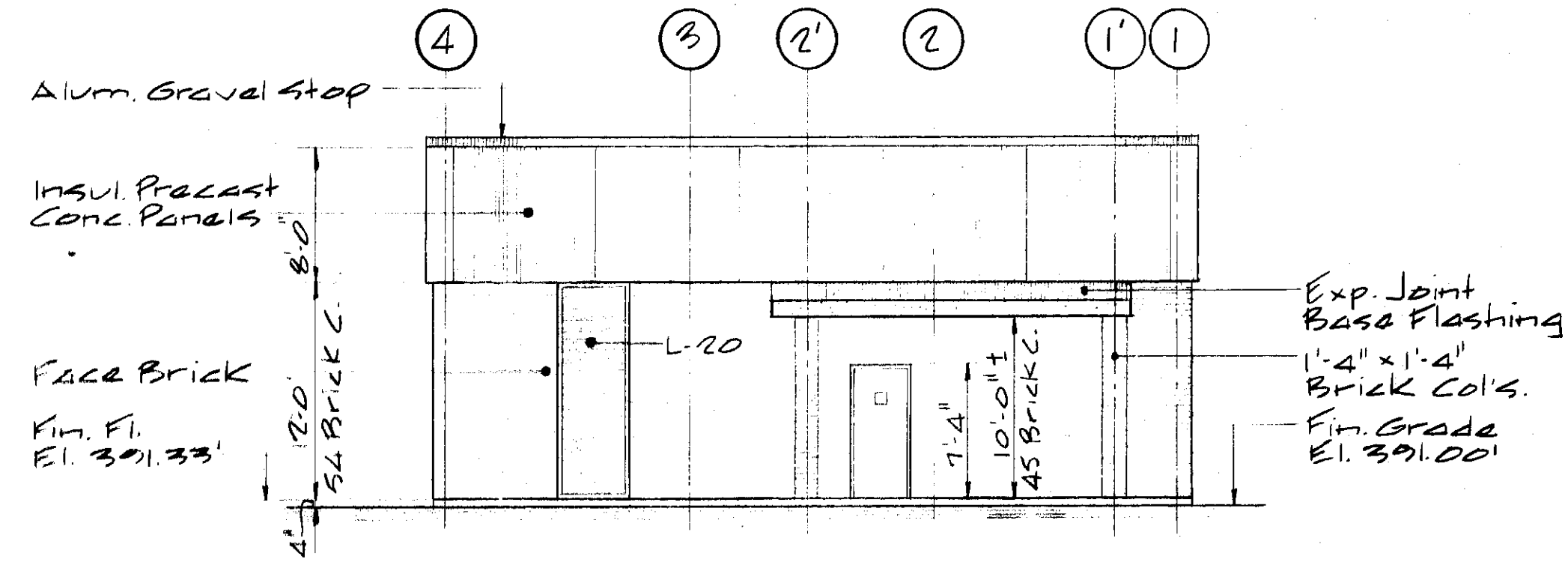
SOUTH ELEVATION
Scale: 1/8" = 1'-0"



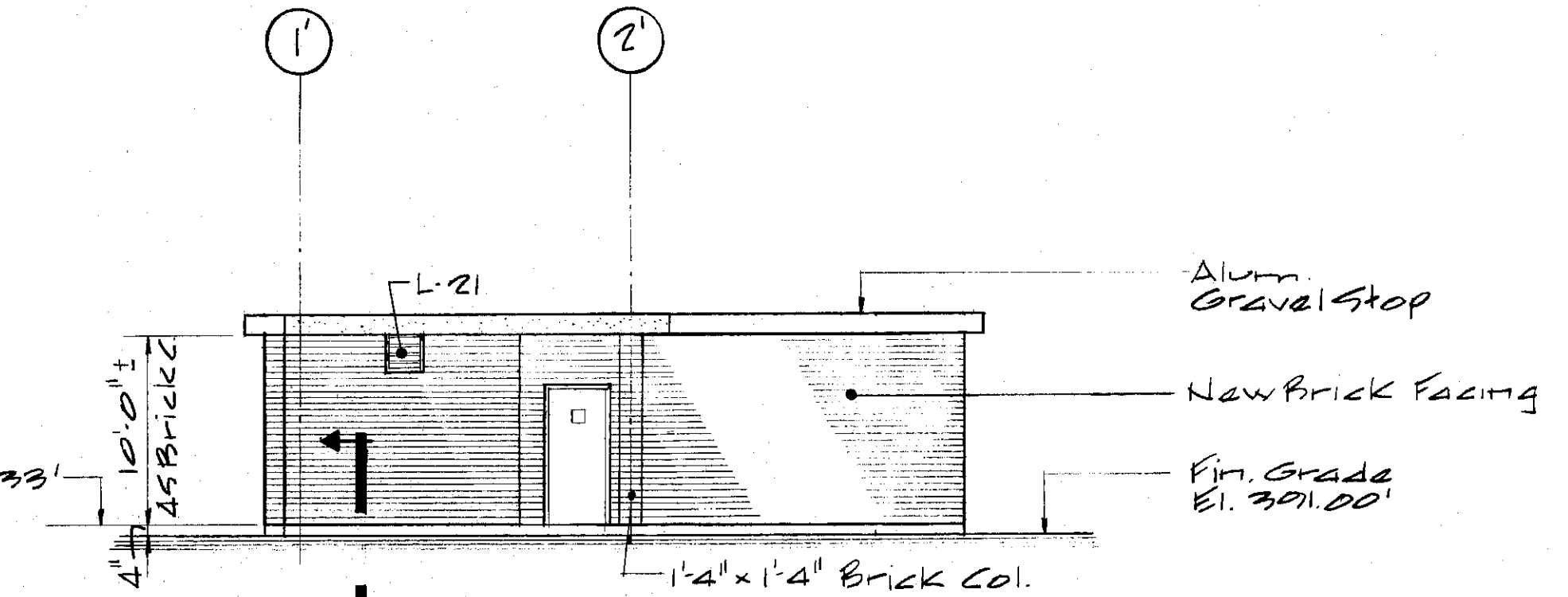
EAST ELEVATION
Scale: 1/8" = 1'-0"



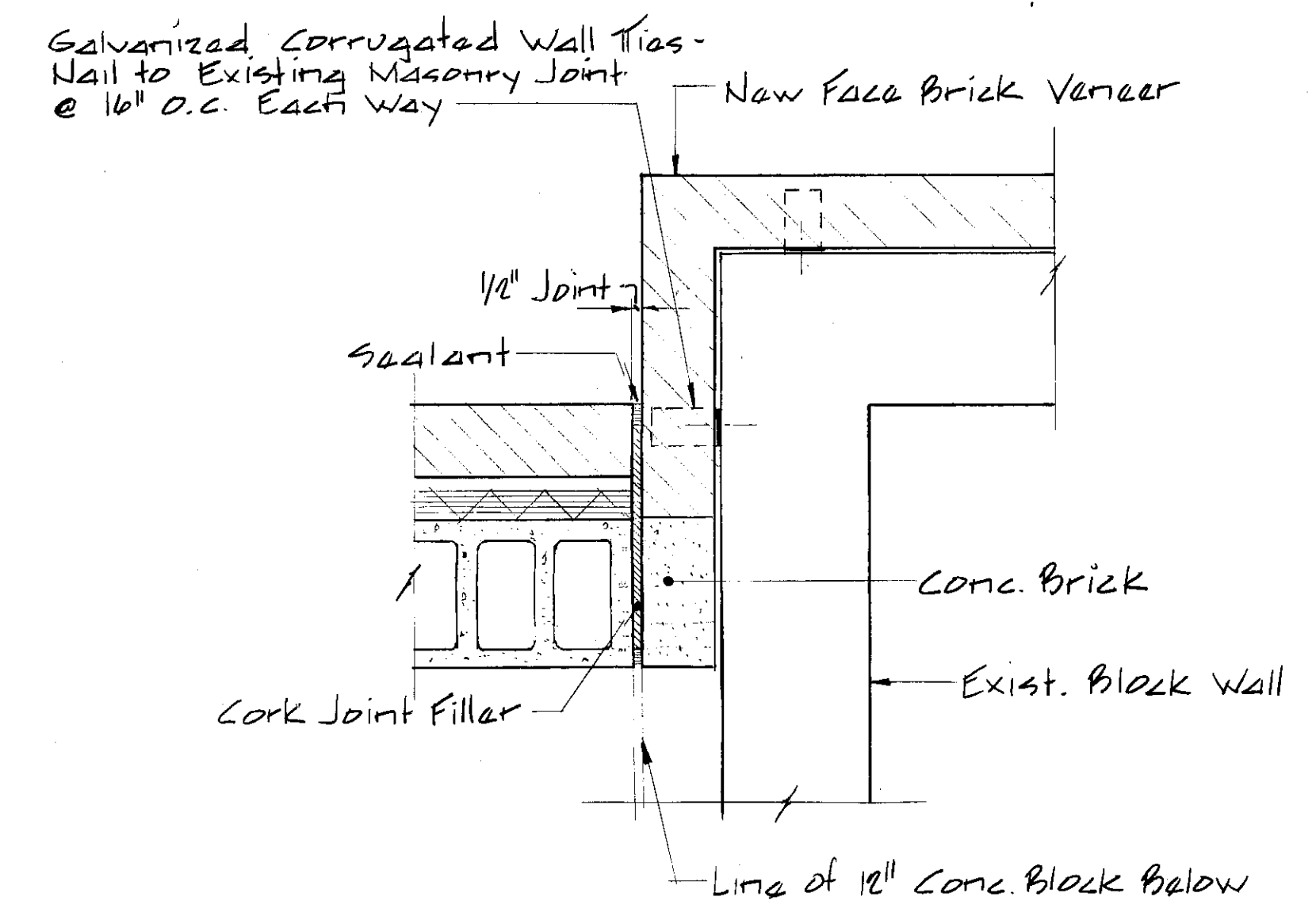
NORTH ELEVATION
Scale: 1/8" = 1'-0"



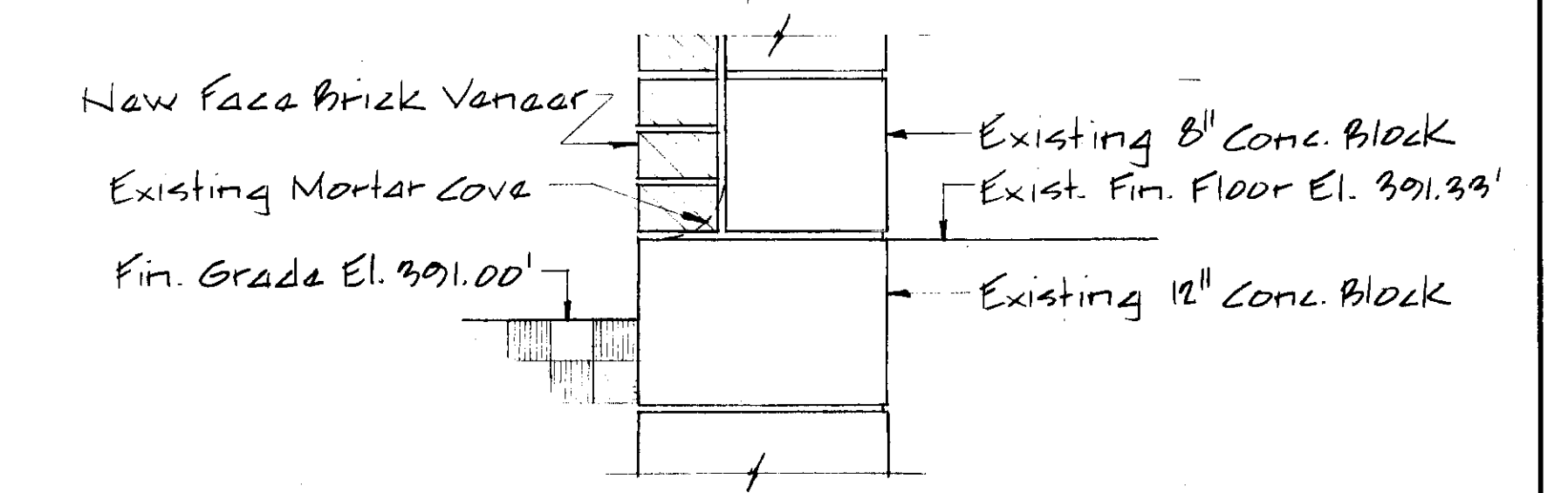
SECTION 1
Scale: 1/8" = 1'-0"



SECTION 2
Scale: 1/8" = 1'-0"



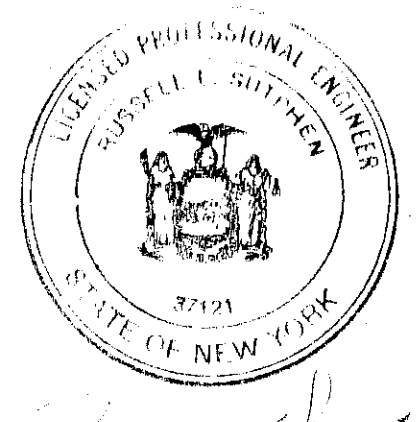
DETAIL
Scale: 1/2" = 1'-0"



Note: 1. Remove Existing Mortar Cove before placement of New Brick Veneer
2. New Brick Veneer at Existing Control Bldg. shall be started on Existing Block shelf @ El. 390.67'

SECTION
Scale: 1/2" = 1'-0"

CHLORINATION BUILDING ELEVATIONS
Scale: 1/8" = 1'-0"



In charge of <i>H. ...</i>	NO.	DATE	REVISION	INIT.
Designed by <i>ADN</i> Checked by <i>ADN</i>	2	2/4/78	General Revisions	<i>ADN</i>
Made by <i>RFB</i>	1	5/4/77	General Revisions	<i>RFB</i>

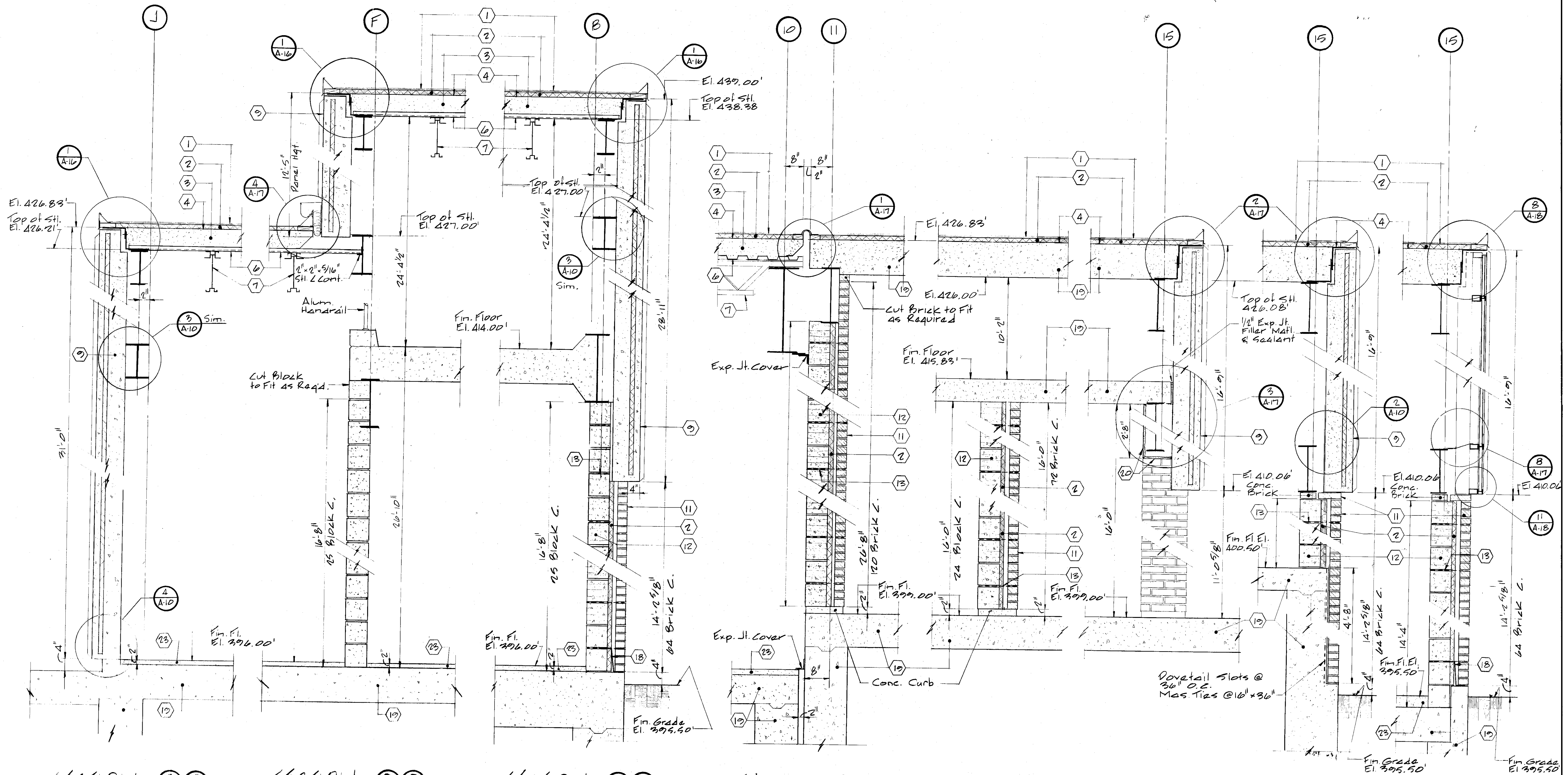
O'BRIEN & GERE ENGINEERS, INC.
Syracuse, New York

CLAY SANITARY DISTRICT
OAK ORCHARD SERVICE AREA
OAK ORCHARD WATER POLLUTION CONTROL PLANT

ARCHITECTURAL
ELEVATIONS

FILE NO.
115.219.073F
DATE
JULY 1, 1975
A-13

RECORD DRAWINGS
To the best of our knowledge, in reviewing and belief these record drawings substantially represent the project as constructed.
By: *[Signature]*



SECTION 1 (A-16) (A-17) Scale: 3/4" = 1'-0"

SECTION 2 (A-16) (A-17) Scale: 3/4" = 1'-0"

SECTION 3 (A-16) (A-17) Scale: 3/4" = 1'-0"

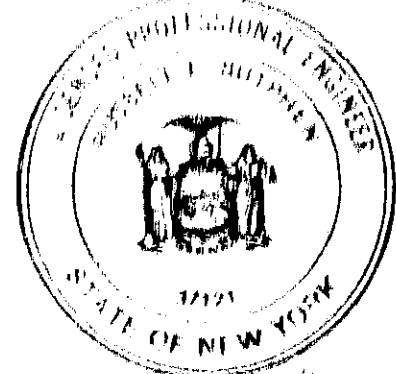
SECTION 4 (A-16) (A-17) Scale: 3/4" = 1'-0"

SECTION 5 (A-16) (A-17) Scale: 3/4" = 1'-0"

SECTION 6 (A-16) (A-17) Scale: 3/4" = 1'-0"

SECTION 7 (A-16) (A-17) Scale: 3/4" = 1'-0"

- (1) Built-Up Roofing
- (2) 1/2" Rigid Insul.
- (3) Insul. Conc. Roof Fill
- (4) Vapor Barrier
- (5) 7/8" Extruded Alum. Fascia
- (6) 22 Ga Metal Roof Deck
- (7) Open Web SH Joist
- (8) 10" Insul. Precast Conc. Panel
- (9) 4" Face Brick
- (10) 8" Conc. BIK.
- (11) Jt. Reint. @ 10" O.C.
- (12) Fabric Flashing
- (13) Reint. Conc. Slab or Beam
- (14) Cement Plaster
- (15) Concrete Topping



In charge of	Designed by	Checked by	Made by
W. J. ...	A. J. ...	A. J. ...	R. E. ...
NO.	DATE	REVISION	INIT.
2	2/14/78	General Revisions	
1	5/4/77	General Revisions	

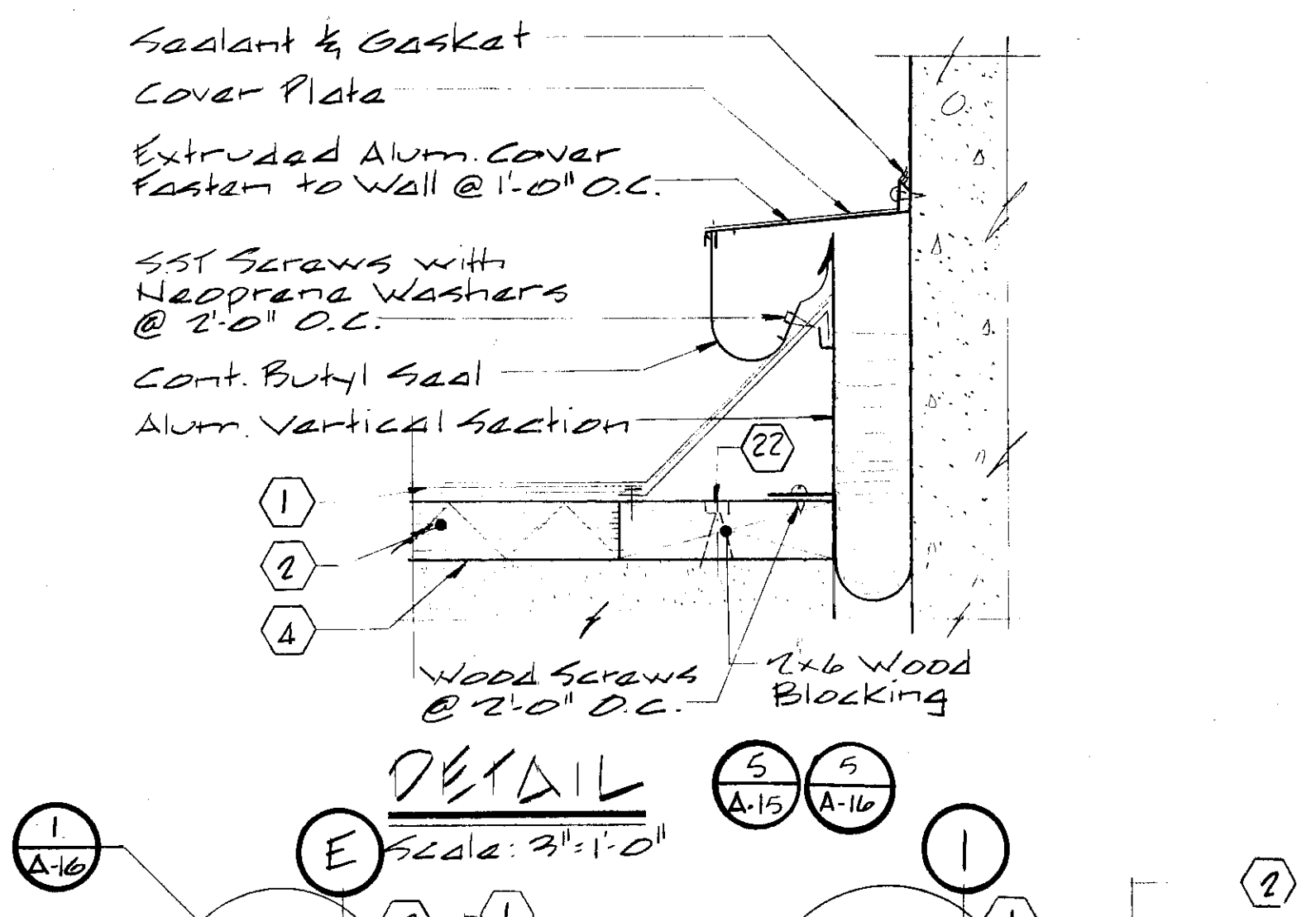
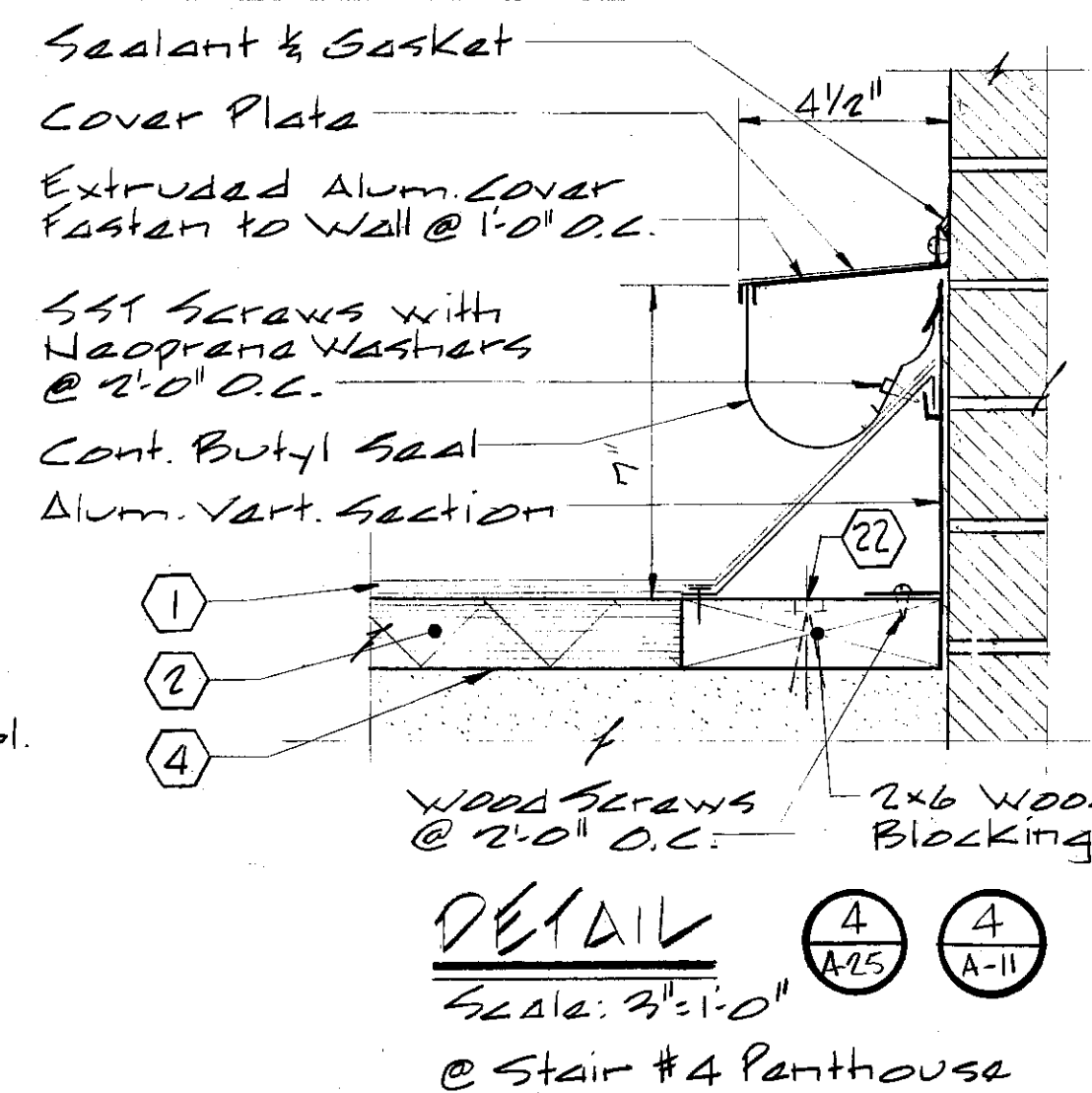
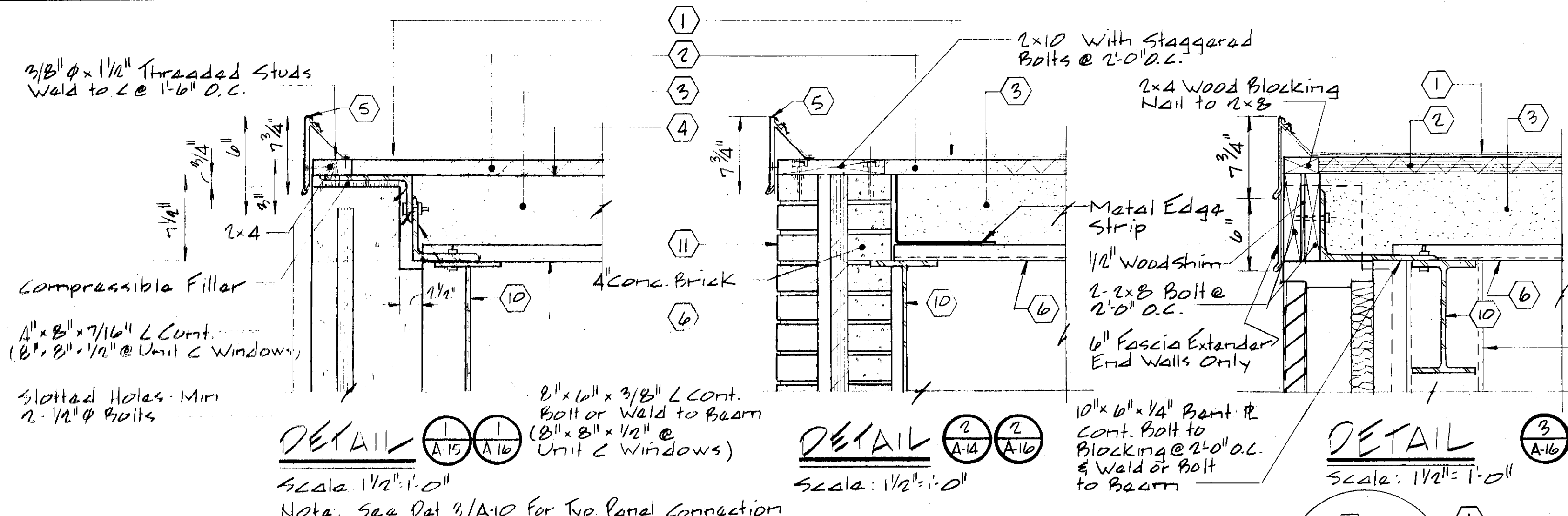
O'BRIEN & GERE ENGINEERS, INC.
Syracuse, New York

CLAY SANITARY DISTRICT
OAK ORCHARD SERVICE AREA
OAK ORCHARD WATER POLLUTION CONTROL PLANT

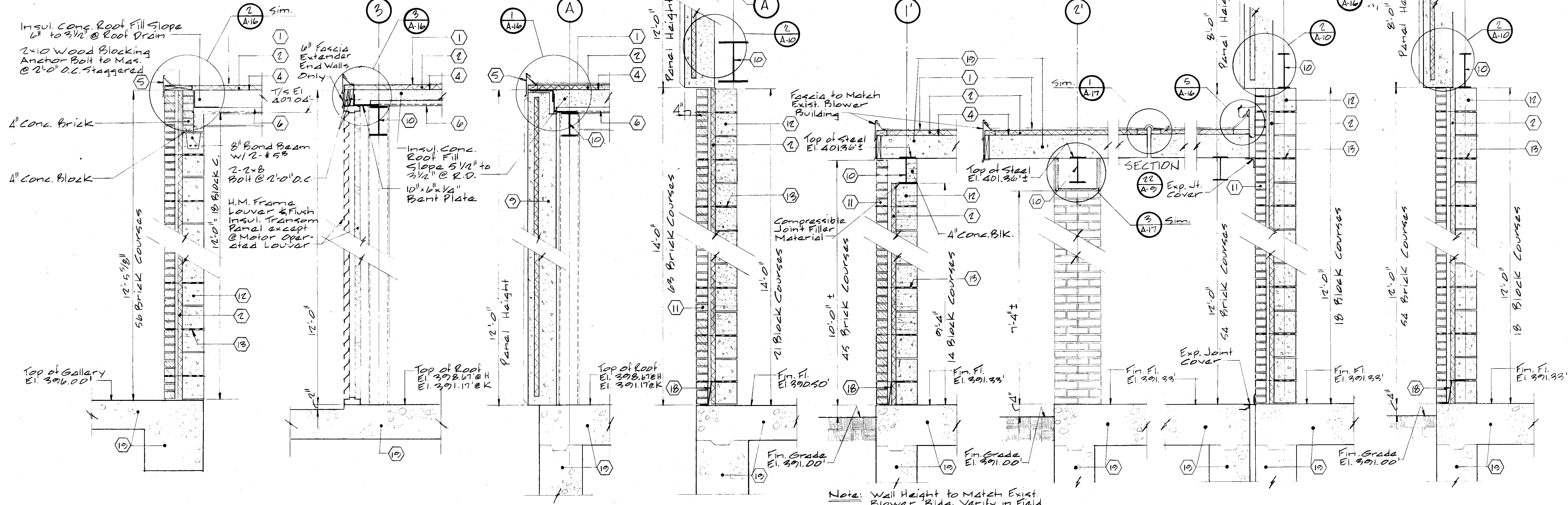
ARCHITECTURAL
WALL SECTIONS

FILE NO. 115.219.075F
DATE JULY 1, 1975
A-15

Bill ...



Note: Depth of Panel Notch Out shall be as follows
 Access Structures H&K - 7"
 Oxygen Generation Building - 7 1/2"
 Unit 'B' - 7 1/2"
 Unit 'C' - 12"
 Chlorination Building - 7 1/2"



SECTION 10 Scale: 3/4" = 1'-0"
SECTION 17 Scale: 3/4" = 1'-0"
SECTION 18 Scale: 3/4" = 1'-0"
SECTION 19 Scale: 3/4" = 1'-0"
SECTION 20 Scale: 3/4" = 1'-0"
SECTION 21 Scale: 3/4" = 1'-0"
SECTION 23 Scale: 3/4" = 1'-0"
SECTION 24 Scale: 3/4" = 1'-0"



- 1 Built-Up Roofing
- 4 Vapor Barrier
- 7 Open Web St. Joist
- 10 Steel Beam
- 22 Anchor Bolts @ 24" O.C.
- 2 1/2" Rigid Insul.
- 5 7/8" Extruded Alum. Fascia
- 8 Acoustic Ceiling
- 11 4" Face Brick
- 18 Fabric Flashing
- 23 Concrete Topping
- 3 Insul. Conc. Root Fill
- 6 22 Ga Metal Root Deck
- 9 10" Insul. Precast Conc. Panel
- 12 8" Conc. BIK.
- 19 Reinf. Conc. Slab or Beam

NO.	DATE	REVISION	INIT.
2	2/14/78	General Revisions	
1	5/4/77	General Revisions	

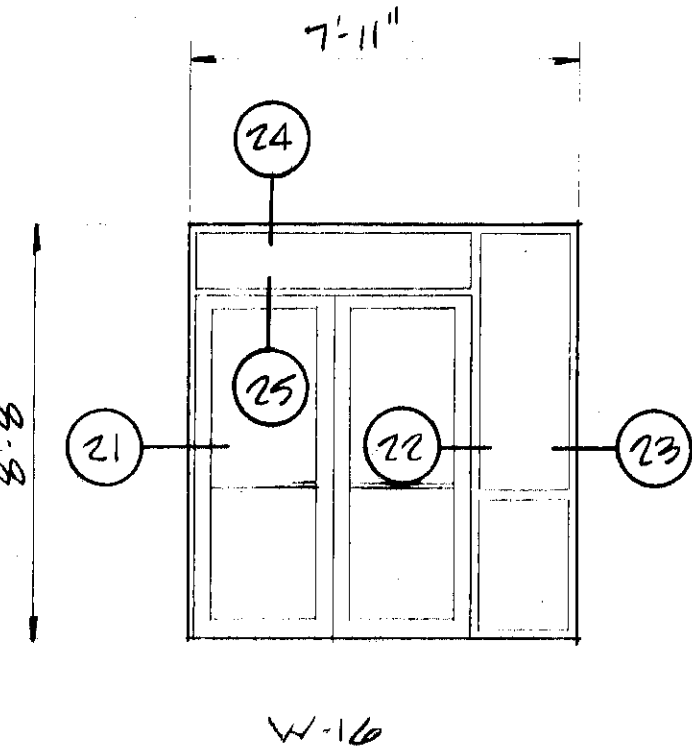
O'BRIEN & GERE ENGINEERS, INC.
 Syracuse, New York

CLAY SANITARY DISTRICT
 OAK ORCHARD SERVICE AREA
 OAK ORCHARD WATER POLLUTION CONTROL PLANT

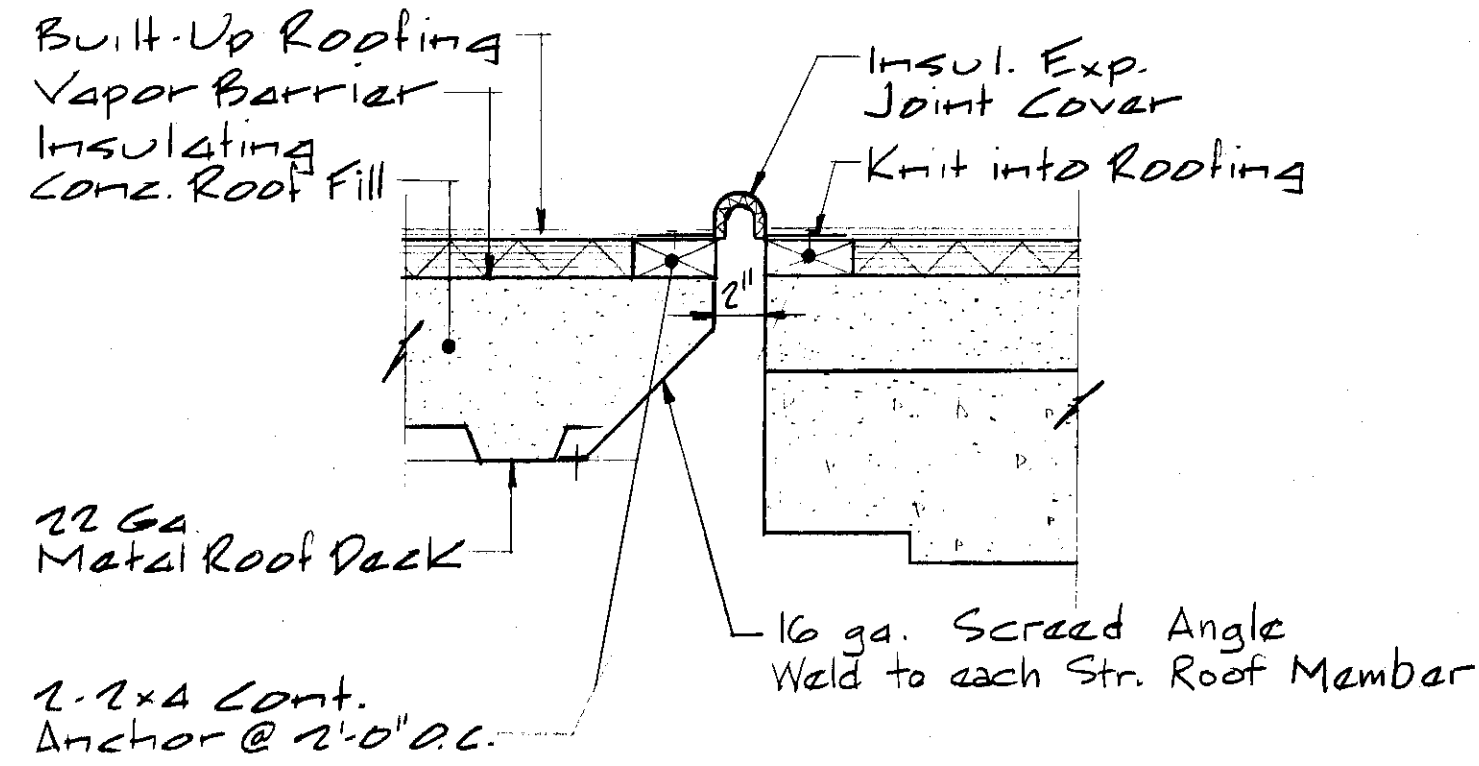
ARCHITECTURAL
WALL SECTIONS
 FILE NO. 115.219.076F
 DATE JULY 1, 1975
 A-16

RECORD DRAWINGS
 I warrant that the knowledge, in
 these drawings, is true and correct
 as far as it goes, and that I am not
 aware of any substantial
 errors or omissions.
 RUSSELL L. SUTPHEN
 ENGINEER

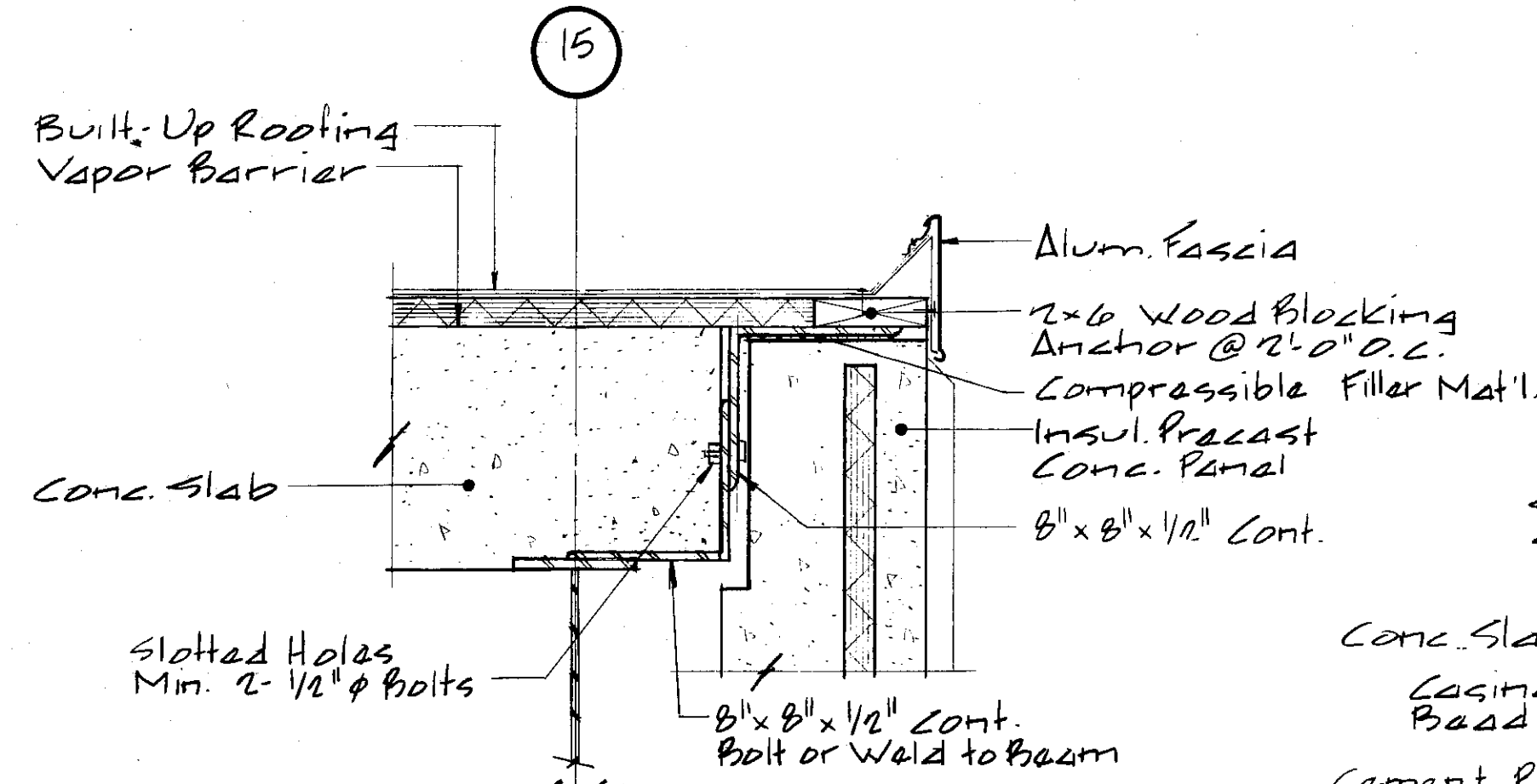
Note:
All glass for windows shall be 1" Insulating Glass Unless Otherwise Noted



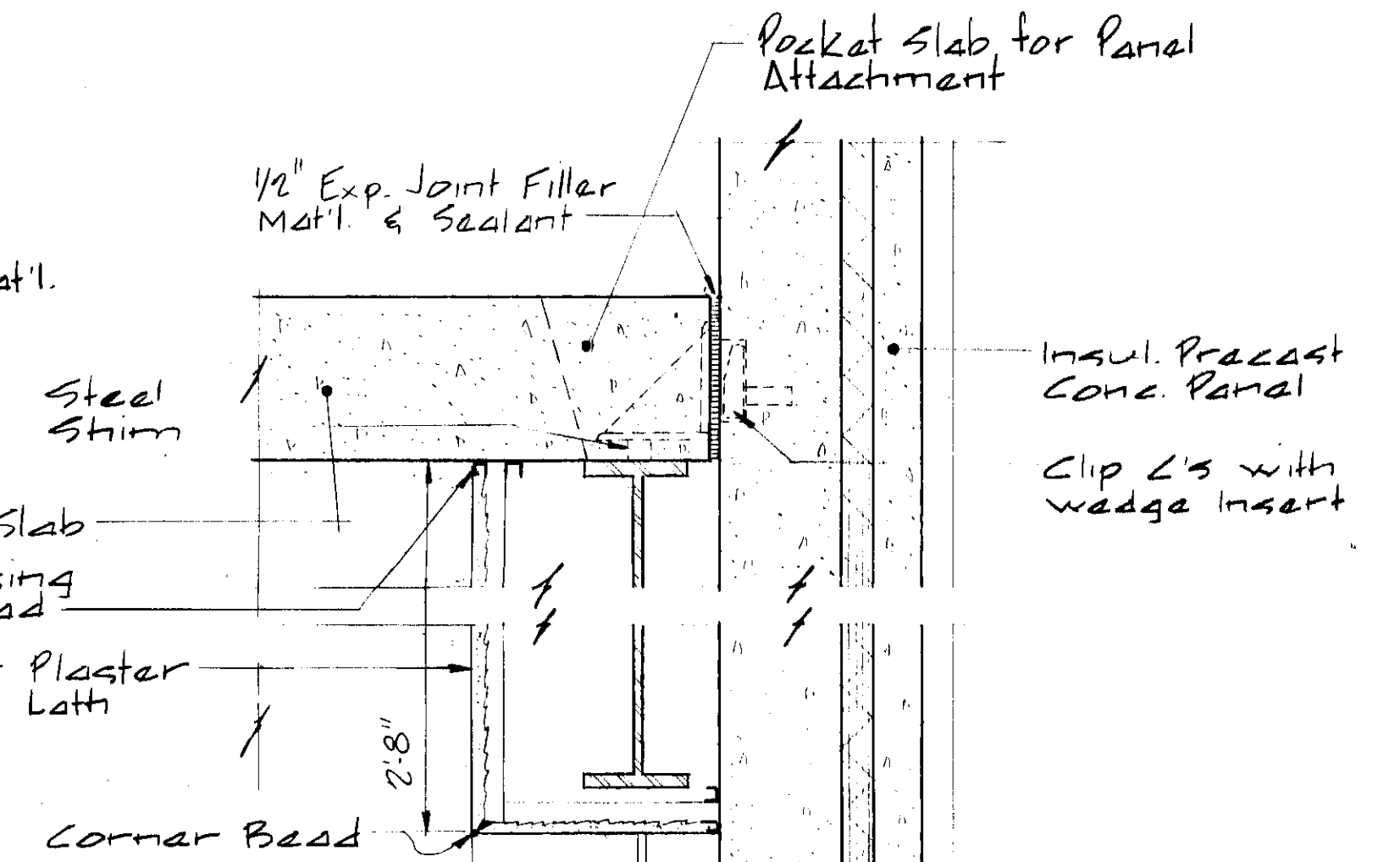
ALUM. FRAMED ENTRANCE
ELEVATION Scale: 1/4" = 1'-0"



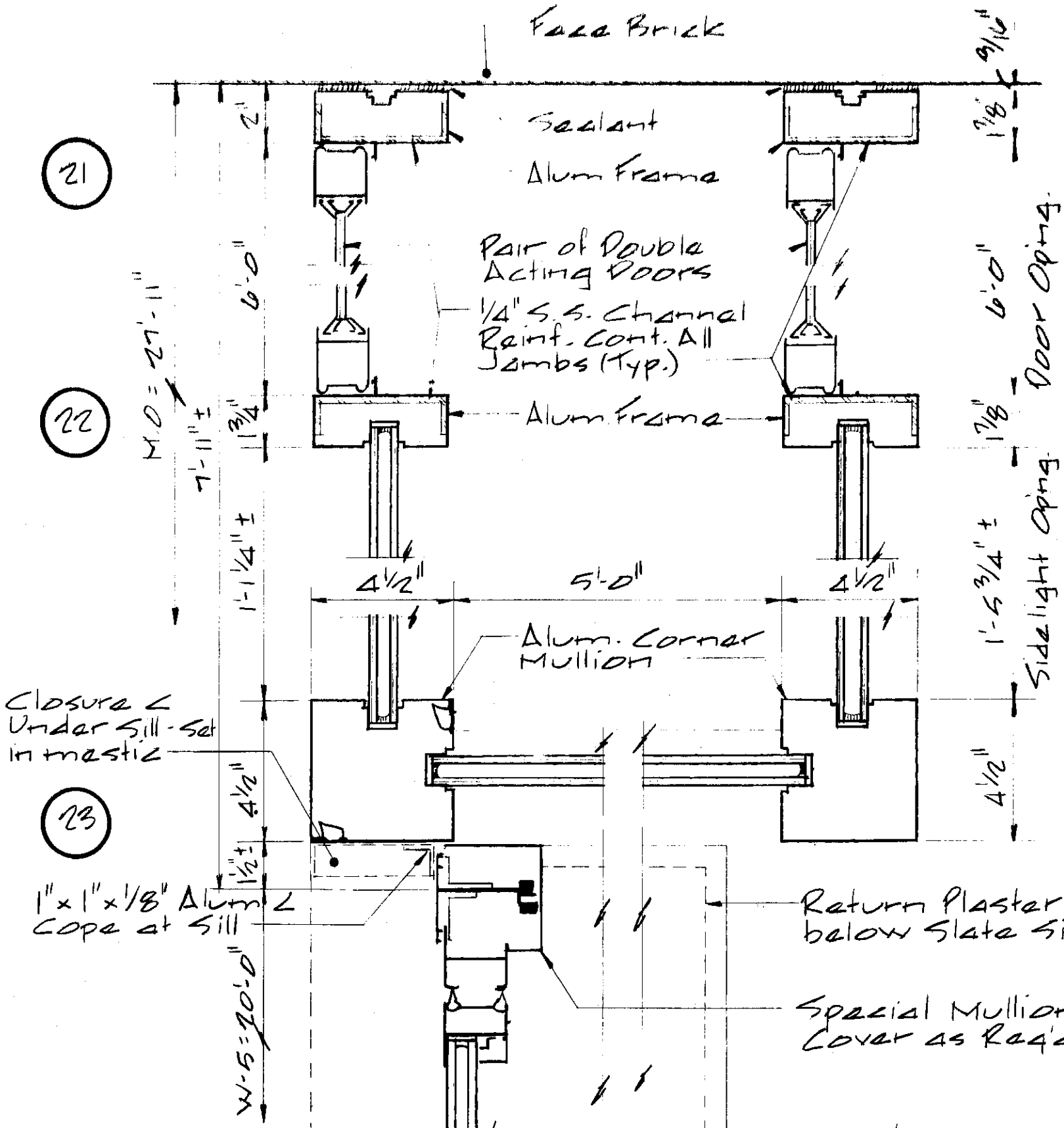
DETAIL 1
Scale: 1 1/2" = 1'-0"



DETAIL 2
Scale: 1 1/2" = 1'-0"

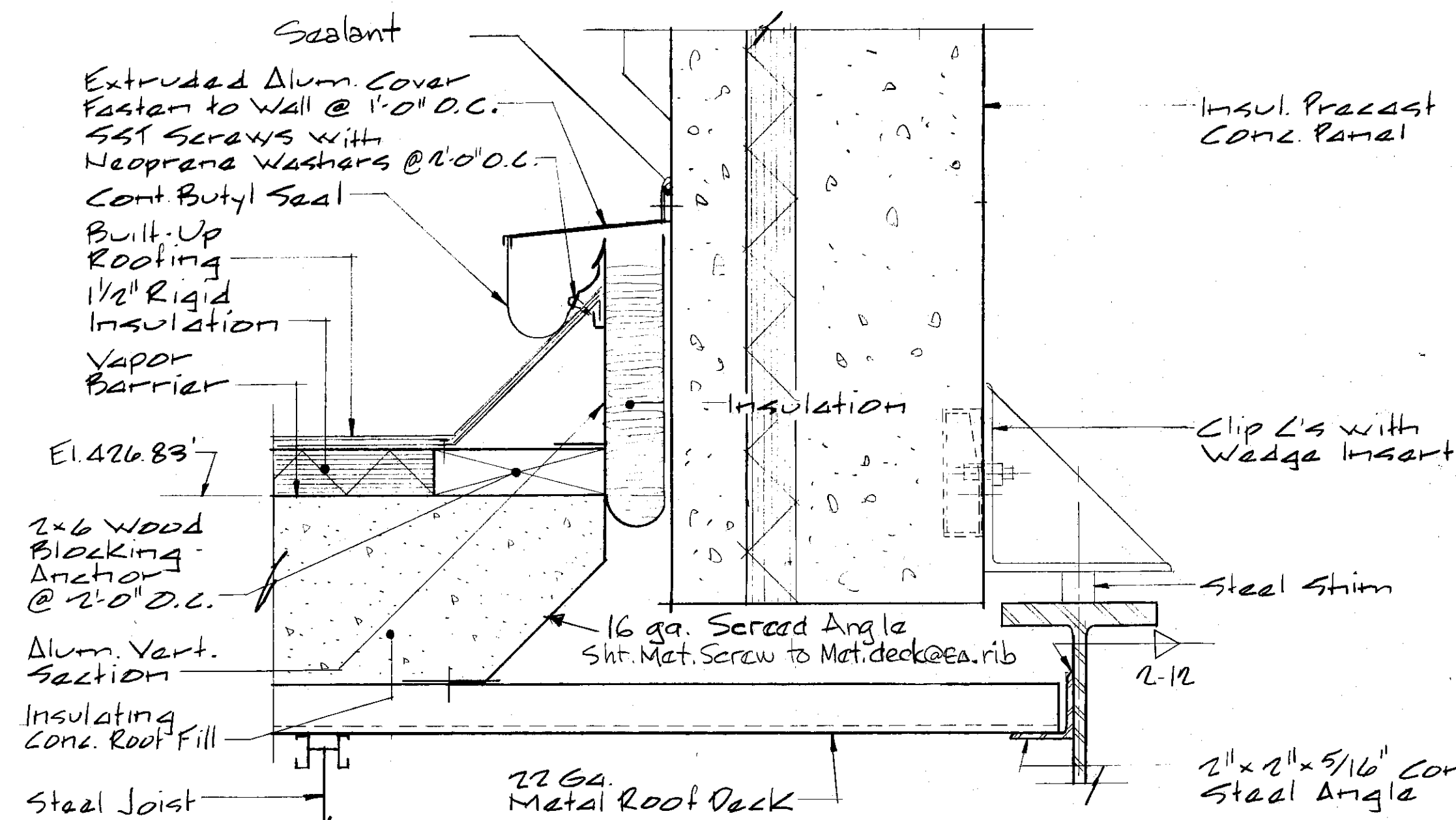


DETAIL 3
Scale: 1 1/2" = 1'-0"

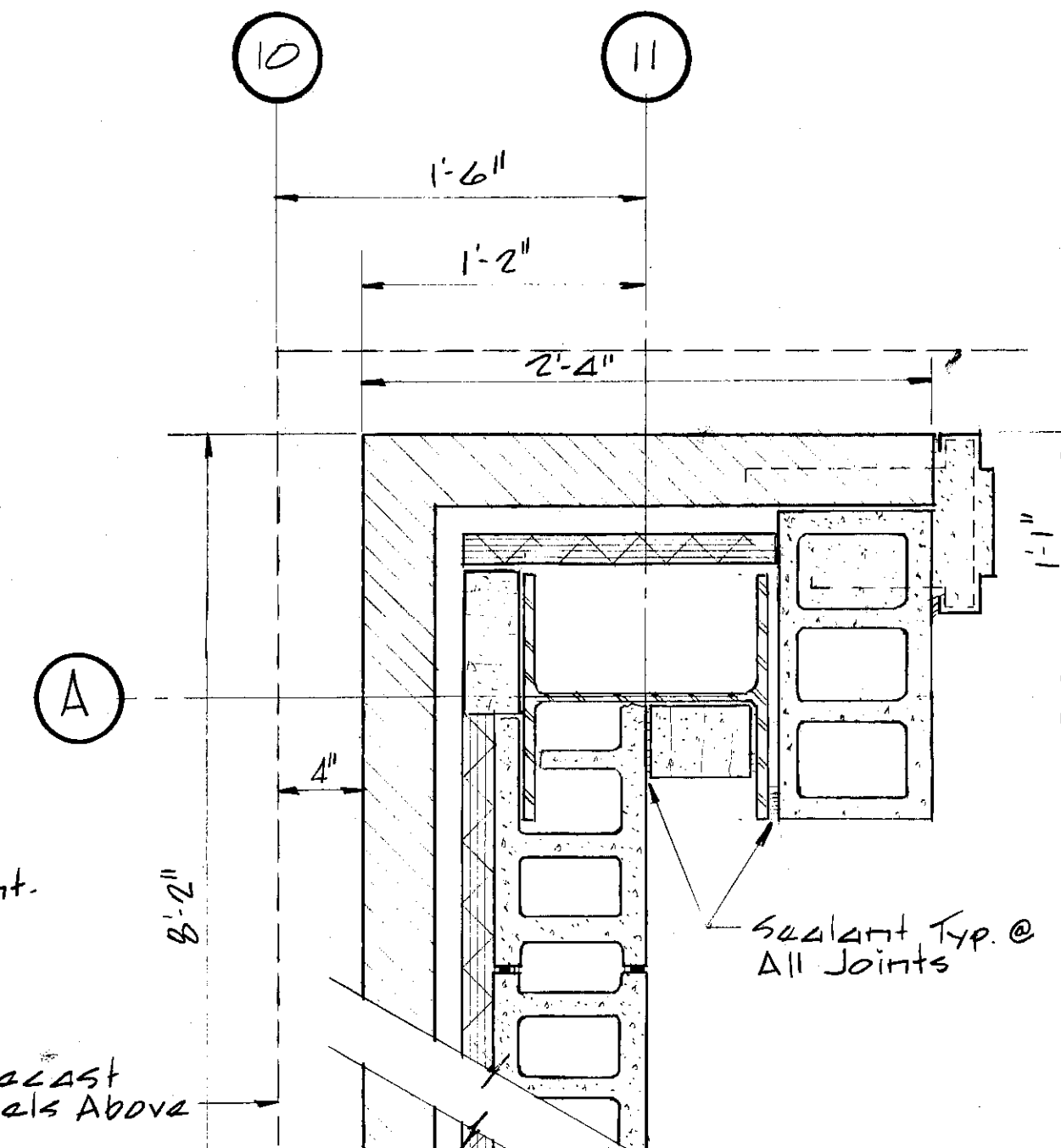


Note:
All Closure Accessories to Entrance Work by Window Mfr.

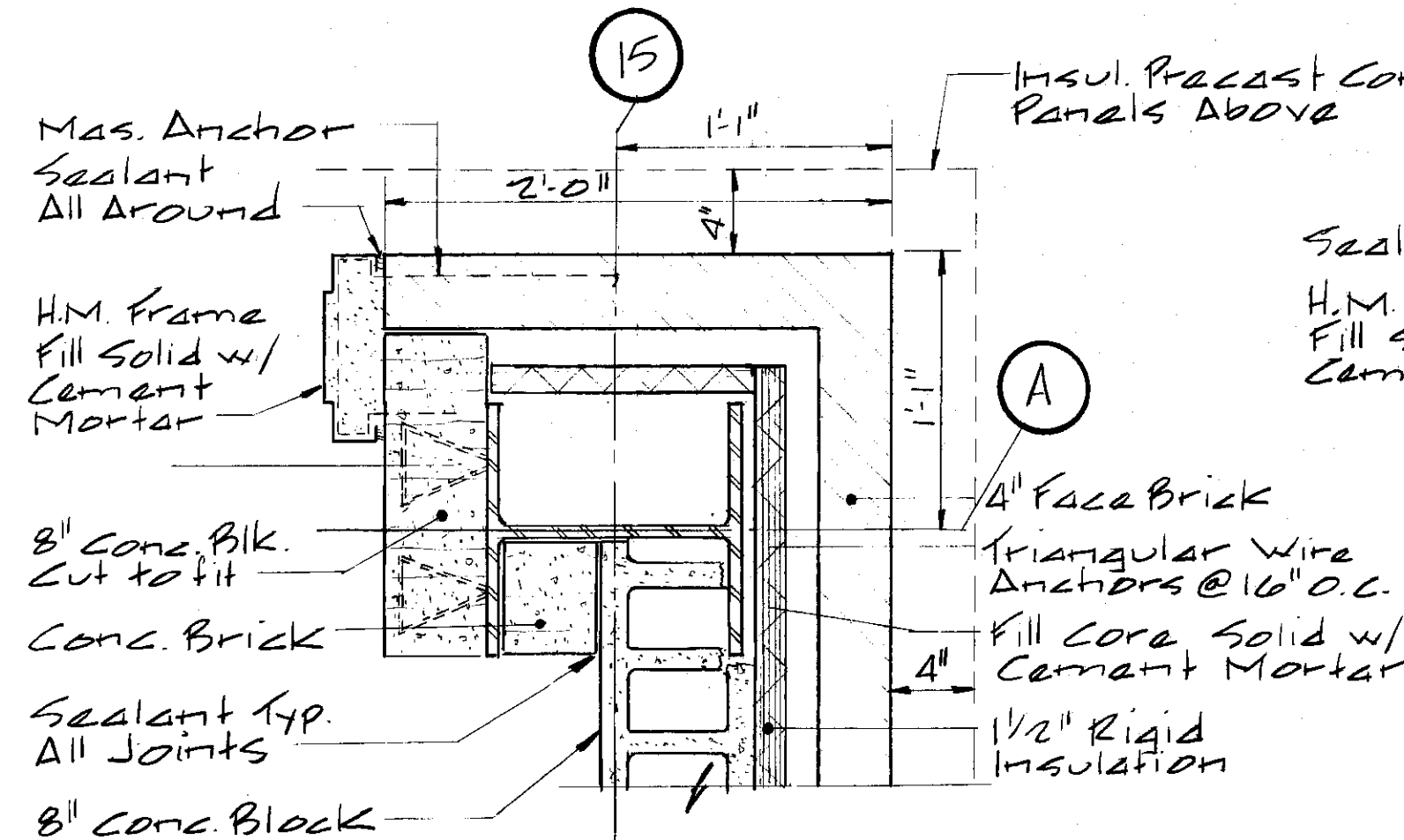
ALUM. FRAMED ENTRANCE
DETAILS Scale: 3/8" = 1'-0"



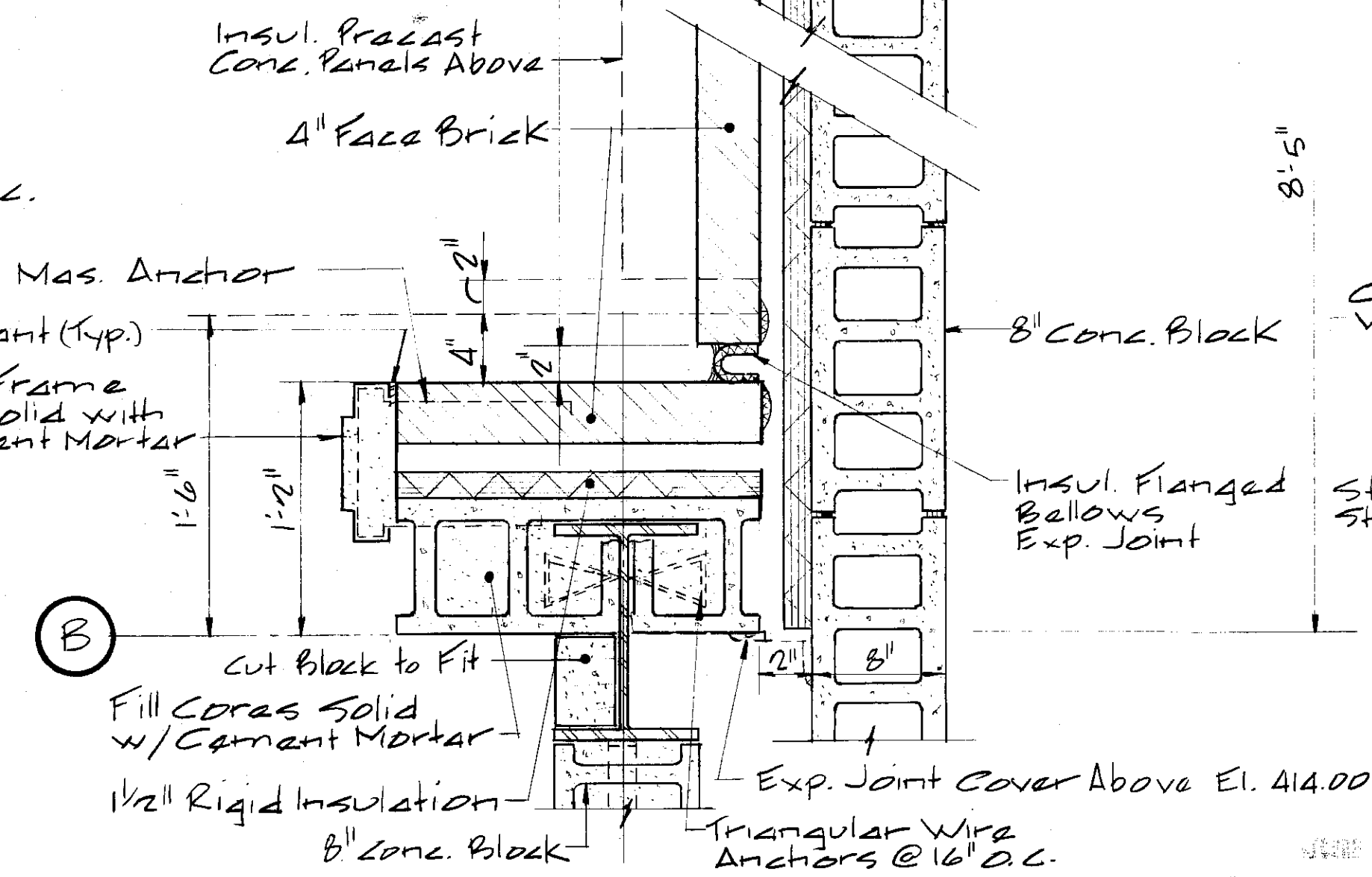
DETAIL 4
Scale: 3/8" = 1'-0"



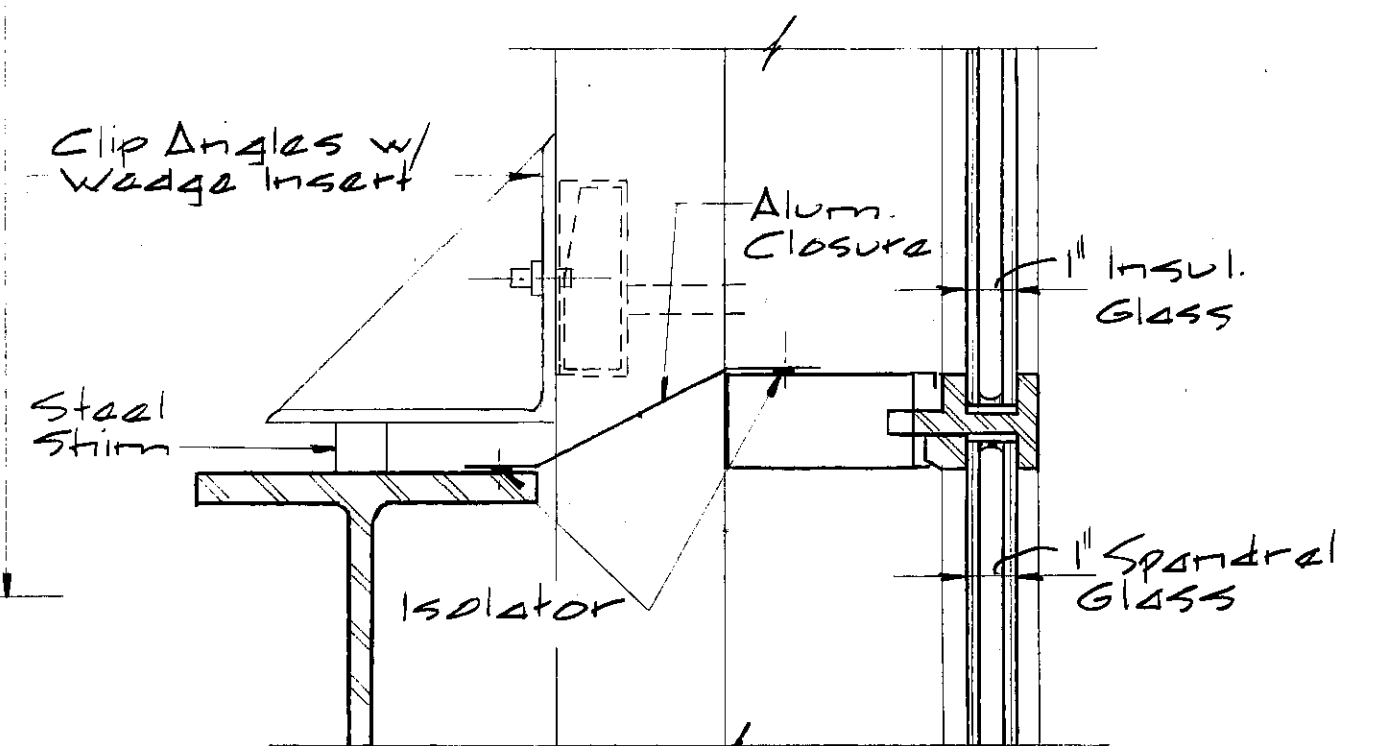
DETAIL 5
Scale: 3/8" = 1'-0"



DETAIL 6
Scale: 1 1/2" = 1'-0"



DETAIL 7
Scale: 1 1/2" = 1'-0"



DETAIL 8
Scale: 3/8" = 1'-0"



NO.	DATE	REVISION	INIT.
2	2/14/78	General Revisions	RJS
7	5/4/77	General Revisions	RJS

O'BRIEN & GERE
ENGINEERS, INC.
Syracuse, New York

CLAY SANITARY DISTRICT
OAK ORCHARD SERVICE AREA
OAK ORCHARD WATER POLLUTION CONTROL PLANT

ARCHITECTURAL
MISCELLANEOUS DETAILS

FILE NO. 115.219.077F
DATE JULY 1, 1975
A-17

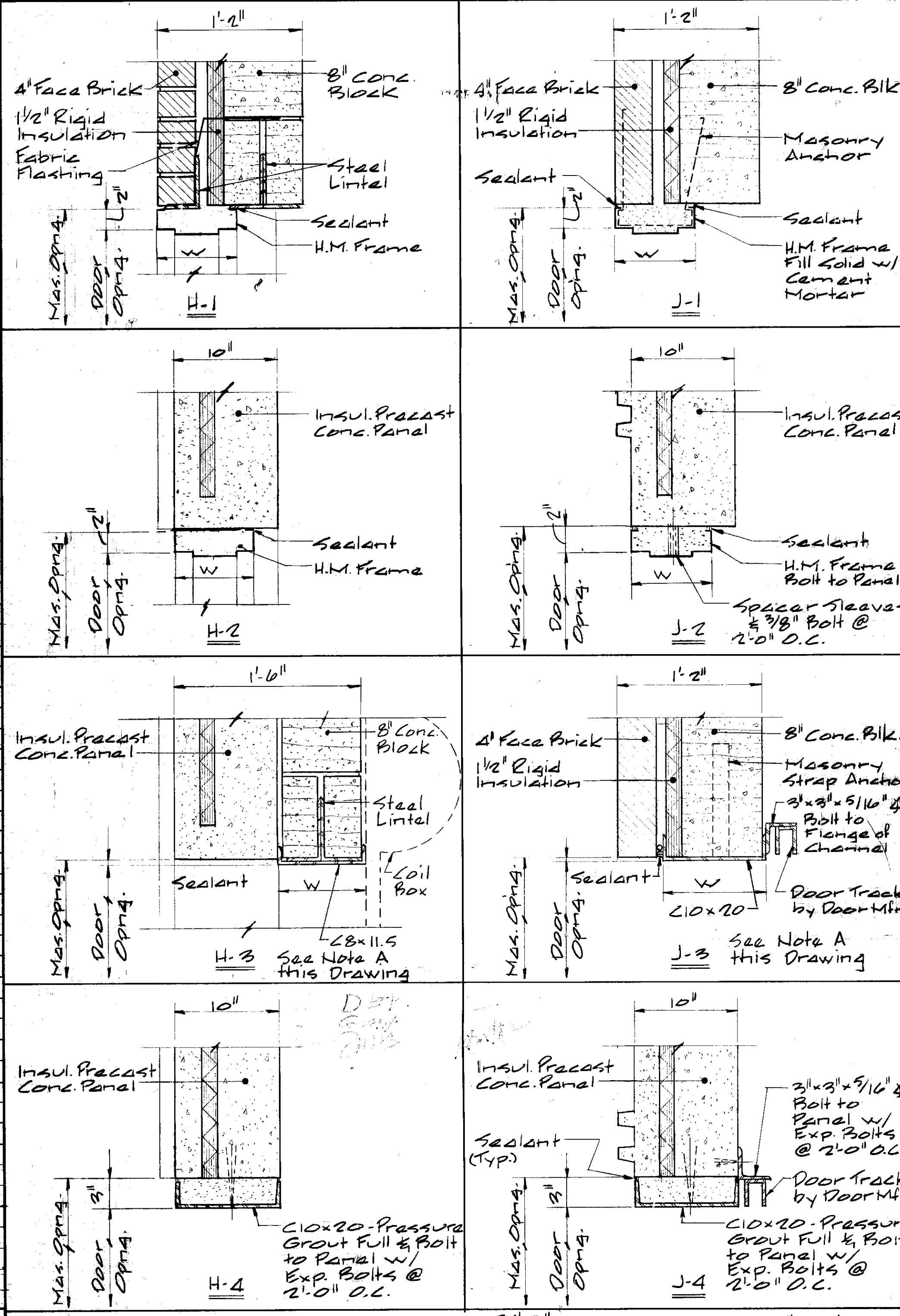
DOOR SCHEDULE

TYPICAL DOOR HEAD & JAMB DETAILS

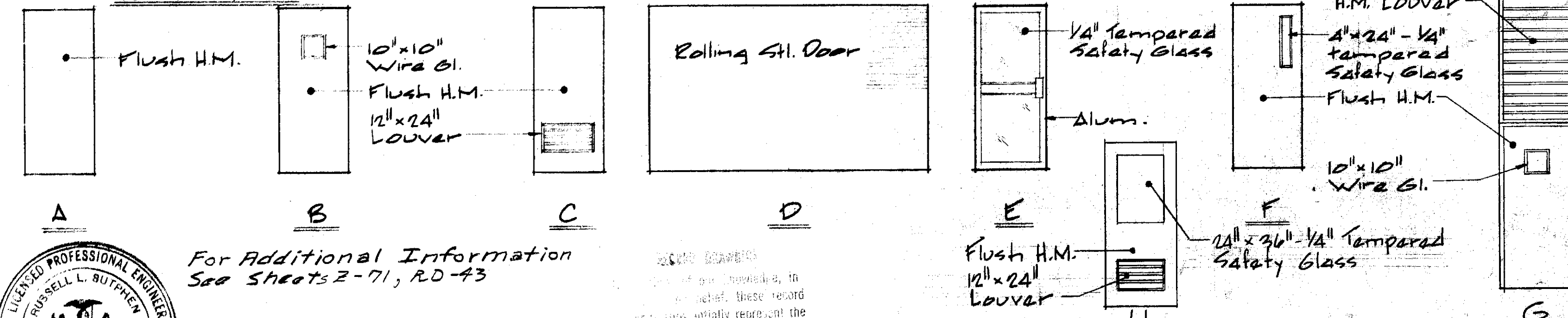
Scale: 1/2" = 1'-0"

Note: A. Steel Channel Jamb @ Pat. H-3 shall be Anchored at Floor and Carried up to Structural Steel Steel Frame above Opening and Connected to steel Frame with Slotted Connection to Prevent Vertical Loading. Lintel members @ Pat. H-3 shall be welded to Jamb Members.

NO.	LOCATION		SIZE			DOOR			FRAME			Label	Lintel	THRESHOLD		Weather Strip	Jamb Ext. Below Fin. Fl.	REMARKS	NO.	
	From: (Keyside)	To:	Width	Height	Thick.	Type	Mat.	Louver	Mat.	Width	Head			Jamb	Mat.					Type
UNIT "A" FIRST & 2ND FLOOR																				
E1	Exterior	Vestibule	3'-0"	7'-0"	1-3/4"	B	H.M.	---	H.M.	8-3/4"	H-2	J-2	---	Alum.	F1	✓	---	Details - Dwg. A-20	E1	
E2	Exterior	Sewer Crew Garage	18'-11"	14'-0"	---	D	Steel	---	Steel	10"	H-4	J-4	---	Steel	T-7	✓	---		E2	
E3	Exterior	Sewer Crew Garage	18'-11"	14'-0"	---	D	Steel	---	Steel	10"	H-4	J-4	---	Steel	T-7	✓	---		E3	
E4	Exterior	Corridor	3'-0"	7'-0"	1-3/4"	B	H.M.	---	H.M.	8-3/4"	H-2	J-2	---	Alum.	F1	✓	---		E4	
E5	Exterior	Large Parts Storage	3'-0"	7'-0"	1-3/4"	B	H.M.	---	H.M.	8-3/4"	H-2	J-2	---	Alum.	F1	✓	---		E5	
E6	Exterior	Maintenance Garage	22'-11"	14'-0"	---	D	Steel	---	Steel	10"	H-4	J-4	---	Steel	T-7	✓	---		E6	
E7	Exterior	Maintenance Garage	22'-11"	14'-0"	---	D	Steel	---	Steel	10"	H-4	J-4	---	Steel	T-7	✓	---		E7	
E8	Exterior	Shop	3'-0"	7'-0"	1-3/4"	B	H.M.	---	H.M.	8-3/4"	H-2	J-2	---	Alum.	F1	✓	---		E8	
E9	Exterior	Vestibule	3'-0"	7'-0"	1-3/4"	E	Alum. Gl.	---	Alum.	4"	*	*	---	Alum.	F-3	✓	---	Details - Dwg. A-20	E9	
E10	Exterior	Vestibule	2'-3'-0"	7'-0"	1-3/4"	E	Alum. Gl.	---	Alum.	*	*	*	---	Alum.	F-3	✓	---	Details - Dwg. A-20	E10	
101	Vestibule	Reception	2'-3'-0"	7'-0"	1-3/4"	A	H.M.	---	H.M.	8-3/4"	H-5	J-6	L-1	Alum.	F-6	---	2"		101	
102	Corridor	Lunch Room	2'-8"	7'-0"	1-3/4"	A	H.M.	---	H.M.	8-3/4"	H-5	J-6	L-1	Alum.	F-6	---	2"		102	
103	Corridor	Women	3'-0"	7'-0"	1-3/4"	C	H.M.	---	H.M.	8-3/4"	H-5	J-6	L-1	---	F-5	---	2"		103	
104	Corridor	Men	3'-0"	7'-0"	1-3/4"	C	H.M.	---	H.M.	8-3/4"	H-5	J-6	L-1	---	F-5	---	2"		104	
105	Corridor	Sewer Crew Control Room	3'-0"	7'-0"	1-3/4"	F	H.M.	---	H.M.	8-3/4"	H-6	J-7	L-1	---	F-4	---	2"		105	
106	Corridor	Sewer Crew Control Rm.	3'-0"	7'-0"	1-3/4"	A	H.M.	---	H.M.	8-3/4"	H-6	J-7	L-1	---	F-4	---	2"		106	
107	Corridor	Vestibule	3'-0"	7'-0"	1-3/4"	F	H.M.	---	H.M.	8-3/4"	H-6	J-7	L-1	---	F-4	---	2"		107	
108	Vestibule	Sewer Crew Garage	3'-0"	7'-0"	1-3/4"	F	H.M.	---	H.M.	8-3/4"	H-6	J-7	L-1	Alum.	F-2	---	2"		108	
109	Corridor	First Aid Room	3'-0"	7'-0"	1-3/4"	F	H.M.	---	H.M.	8-3/4"	H-5	J-6	L-1	---	F-5	---	2"		109	
110	Corridor	Janitor	3'-0"	7'-0"	1-3/4"	C	H.M.	---	H.M.	8-3/4"	H-5	J-6	L-1	---	F-5	---	2"		110	
111	Corridor	Corridor	3'-0"	7'-0"	1-3/4"	C	H.M.	---	H.M.	8-3/4"	H-5	J-6	L-1	---	F-5	---	2"		111	
112	Corridor	Men	3'-0"	7'-0"	1-3/4"	C	H.M.	---	H.M.	8-3/4"	H-5	J-6	L-1	---	F-5	---	2"		112	
113	Corridor	Corridor	3'-0"	7'-0"	1-3/4"	C	H.M.	---	H.M.	8-3/4"	H-5	J-6	L-1	---	F-5	---	2"		113	
114	Corridor	Women	3'-0"	7'-0"	1-3/4"	C	H.M.	---	H.M.	8-3/4"	H-5	J-6	L-1	---	F-5	---	2"		114	
115	Corridor	Small Parts Storage	3'-0"	7'-0"	1-3/4"	A	H.M.	---	H.M.	8-3/4"	H-5	J-6	L-1	---	F-4	---	2"		115	
116	Sewer Crew Garage	Sewer Crew Garage	3'-0"	7'-0"	1-3/4"	A	H.M.	---	H.M.	8-3/4"	H-6	J-7	L-1	---	F-4	---	2"		116	
117	Large Parts Storage	Paint Storage	2'-3'-0"	7'-0"	1-3/4"	A	H.M.	---	H.M.	8-3/4"	H-6	J-7	L-2	---	F-4	---	2"		117	
118	Small Parts Storage	Corridor	3'-0"	7'-0"	1-3/4"	A	H.M.	---	H.M.	8-3/4"	H-6	J-7	L-1	---	F-4	---	2"		118	
119	Vestibule	Corridor	3'-0"	7'-0"	1-3/4"	E	Alum. Gl.	---	Alum.	4"	H-6	J-7	L-1	---	F-4	---	2"		119	
120	Shop	Corridor	2'-8"	7'-0"	1-3/4"	F	H.M.	---	H.M.	8-3/4"	H-6	J-7	L-1	Alum.	F-2	---	2"		120	
121	Corridor	Corridor	2'-8"	7'-0"	1-3/4"	F	H.M.	---	H.M.	8-3/4"	H-5	J-6	L-1	---	F-4	---	2"		121	
122	Corridor	Foreman's Office	3'-0"	7'-0"	1-3/4"	F	H.M.	---	H.M.	8-3/4"	H-5	J-6	L-1	---	F-4	---	2"		122	
123	Corridor	Corridor	3'-0"	7'-0"	1-3/4"	F	H.M.	---	H.M.	8-3/4"	H-5	J-6	B	L-1	---	F-4	---	2"		123
124	Corridor	Vestibule	3'-0"	7'-0"	1-3/4"	F	H.M.	---	H.M.	8-3/4"	H-5	J-6	B	L-1	---	F-4	---	2"		124
125	Elect. Equip. Room	Vestibule	2'-2'-0"	8'-0"	1-3/4"	A	H.M.	---	H.M.	8-3/4"	H-6	J-7	L-2	---	F-4	---	2"		125	
126	Small Parts Storage	Corridor	5'-0"	7'-0"	1-3/4"	---	---	---	---	---	---	---	L-2	---	---	---	---	Alum. Coil Door Dets. Dwg. A-22	126	
127	Elevator	Corridor	---	---	---	---	---	---	---	---	---	---	L-1	---	---	---	---	By Elevator Manufacturer	127	
201	Vestibule	Compressor Room	3'-0"	7'-0"	1-3/4"	A	H.M.	---	H.M.	8-3/4"	H-6	J-7	L-1	---	F-4	---	2"		201	
202	Corridor	Plant Supt. Office	3'-0"	7'-0"	1-3/4"	A	H.M.	---	H.M.	8-3/4"	H-6	J-7	L-1	---	F-4	---	2"		202	
203	Corridor	Conference Room	3'-0"	7'-0"	1-3/4"	A	H.M.	---	H.M.	8-3/4"	H-7	J-8	L-1	---	F-4	---	2"		203	
204	Corridor	Records Storage Room	3'-0"	7'-0"	1-3/4"	A	H.M.	---	H.M.	8-3/4"	H-7	J-8	L-1	---	F-4	---	2"		204	
205	Equipment Room	Upper Garage	2'-3'-0"	7'-0"	1-3/4"	A	H.M.	---	H.M.	8-3/4"	H-6	J-7	L-2	---	F-4	---	2"		205	
206	Equipment Room	Records Storage	3'-0"	7'-0"	1-3/4"	A	H.M.	---	H.M.	8-3/4"	H-6	J-7	L-1	---	F-4	---	2"		206	
207	Corridor	Lounge	3'-0"	7'-0"	1-3/4"	C	H.M.	---	H.M.	8-3/4"	H-7	J-8	L-1	---	F-4	---	2"		207	
208	Corridor	Men	3'-0"	7'-0"	1-3/4"	C	H.M.	---	H.M.	8-3/4"	H-7	J-8	L-1	---	F-4	---	2"		208	
209	Corridor	Janitor	3'-0"	7'-0"	1-3/4"	C	H.M.	---	H.M.	8-3/4"	H-6	J-7	L-1	---	F-4	---	2"		209	
210	Laboratory	Office	2'-8"	7'-0"	1-3/4"	C	H.M.	---	H.M.	8-3/4"	H-7	J-8	L-1	---	F-4	---	2"		210	
211	Laboratory	Storage	2'-8"	7'-0"	1-3/4"	C	H.M.	---	H.M.	8-3/4"	H-7	J-8	L-1	---	F-4	---	2"		211	
212	Parts Storage	Stairway	3'-0"	7'-0"	1-3/4"	A	H.M.	---	H.M.	8-3/4"	H-7	J-8	L-1	---	F-4	---	2"		212	
213	Laboratory	Stairway	3'-0"	7'-0"	1-3/4"	A	H.M.	---	H.M.	8-3/4"	H-7	J-8	L-1	---	F-4	---	2"		213	
214	Parts Storage	Stairway	3'-0"	7'-0"	1-3/4"	A	H.M.	---	H.M.	8-3/4"	H-7	J-8	L-1	---	F-4	---	2"		214	
215	Corridor	Laboratory	3'-0"	7'-0"	1-3/4"	F	H.M.	---	H.M.	8-3/4"	H-6	J-7	L-1	---	F-4	---	2"		215	
216	Elevator	Corridor	---	---	---	---	---	---	---	---	---	---	L-1	---	---	---	---	By Elevator Manufacturer	216	
217	Corridor	Stairway	3'-0"	7'-0"	1-3/4"	F	H.M.	---	H.M.	8-3/4"	H-6	J-7	B	L-1	---	F-4	---	2"		217
218	Corridor	Vestibule	3'-0"	7'-0"	1-3/4"	A	H.M.	---	H.M.	8-3/4"	H-6	J-7	B	L-1	---	F-4	---	2"		218
219	Plant Control Room	Vestibule	2'-3'-0"	7'-0"	1-3/4"	F	H.M.	---	H.M.	8-3/4"	H-6	J-7	B	L-2	Alum.	F-2	---	2"		219
220	Corridor	Elevator Equip Room	3'-0"	7'-0"	1-3/4"	A	H.M.	---	H.M.	8-3/4"	H-6	J-7	L-1	---	F-4	---	2"		220	
221	Corridor	Elevator	---	---	---	---	---	---	---	---	---	---	L-1	---	---	---	---	By Elevator Manufacturer	221	
222	Corridor	Stairway	3'-0"	7'-0"	1-3/4"	F	H.M.	---	H.M.	8-3/4"	H-6	J-7	B	L-1	---	F-4	---	2"		222
231	Corridor	Plant Control Room	3'-0"	7'-0"	1-3/4"	A	H.M.	---	H.M.	8-3/4"	*	*	---	---	---	---	---	* See Detail 3 Dwg. A-32	231	
301	Stairway	Roof	3'-0"	7'-0"	1-3/4"	A	H.M.	---	H.M.	8-3/4"	H-1	J-1	---	Alum.	F-1	✓	---		301	

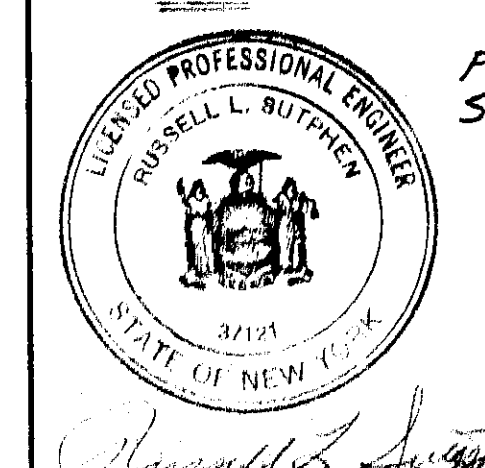


DOOR TYPES



LOOSE LINTEL SCHEDULE

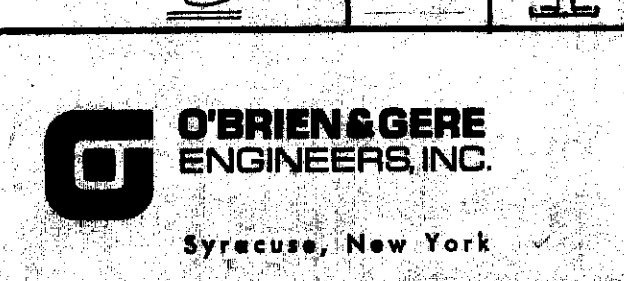
Type	Number & Shape	Angle Size and Length
L-1	2 Angles JL	3 1/2" x 3 1/2" x 5/16" LLV x 1'-4" Longer than Mas. Opening
L-2	2 Angles JL	5" x 3 1/2" x 5/16" LLV x 1'-4" Longer than Mas. Opening
L-3	3 Angles JLL	2" x 2" x 5/16" LLV x 1'-4" Longer than mas. opening
L-4	3 Angles JLL	3 1/2" x 3 1/2" x 5/16" LLV x 1'-4" Longer than mas. opening
L-5	2 Angles JL	5" x 3 1/2" x 5/16" LLV x 1'-4" Longer than Mas. Opg. weld 2' to E



For Additional Information See Sheets 2-71, 2D-43

In charge of M. Santillo
 Designed by DAW Checked by ACW
 Made by REB

NO.	DATE	REVISION	INIT.
2	7/1/78	General Revisions	REB
1	5/4/77	General Revisions	REB



**CLAY SANITARY DISTRICT
 OAK ORCHARD SERVICE AREA**
 OAK ORCHARD WATER POLLUTION CONTROL PLANT

ARCHITECTURAL

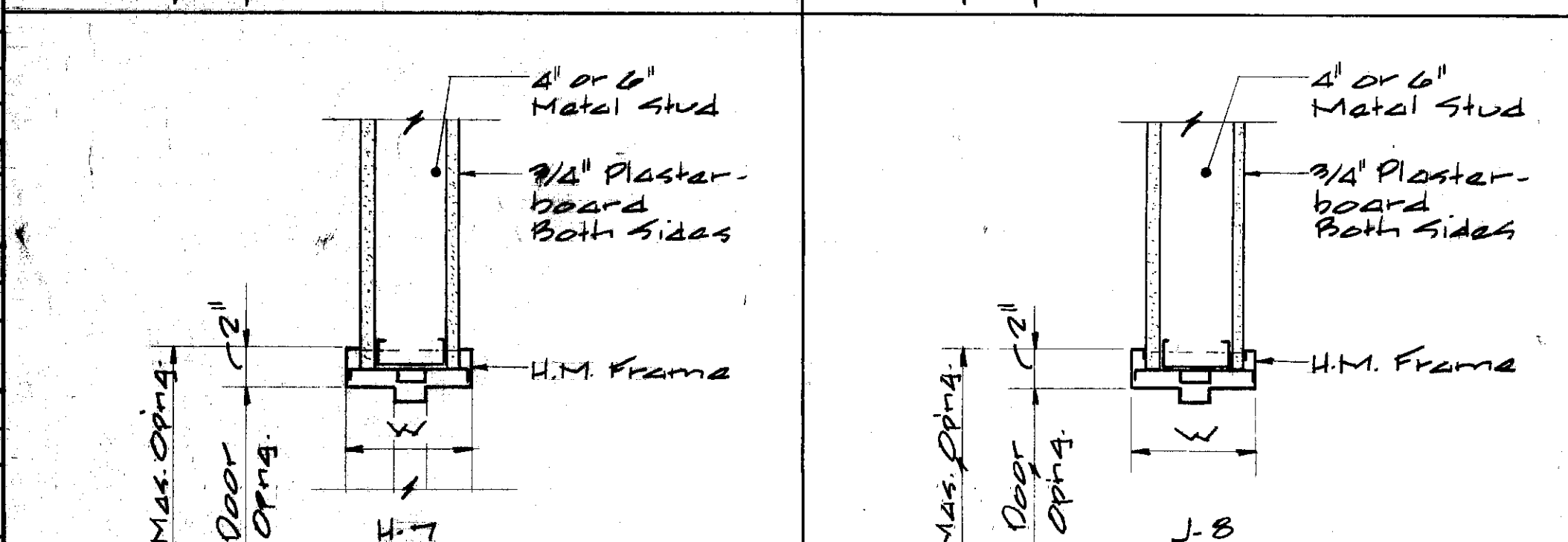
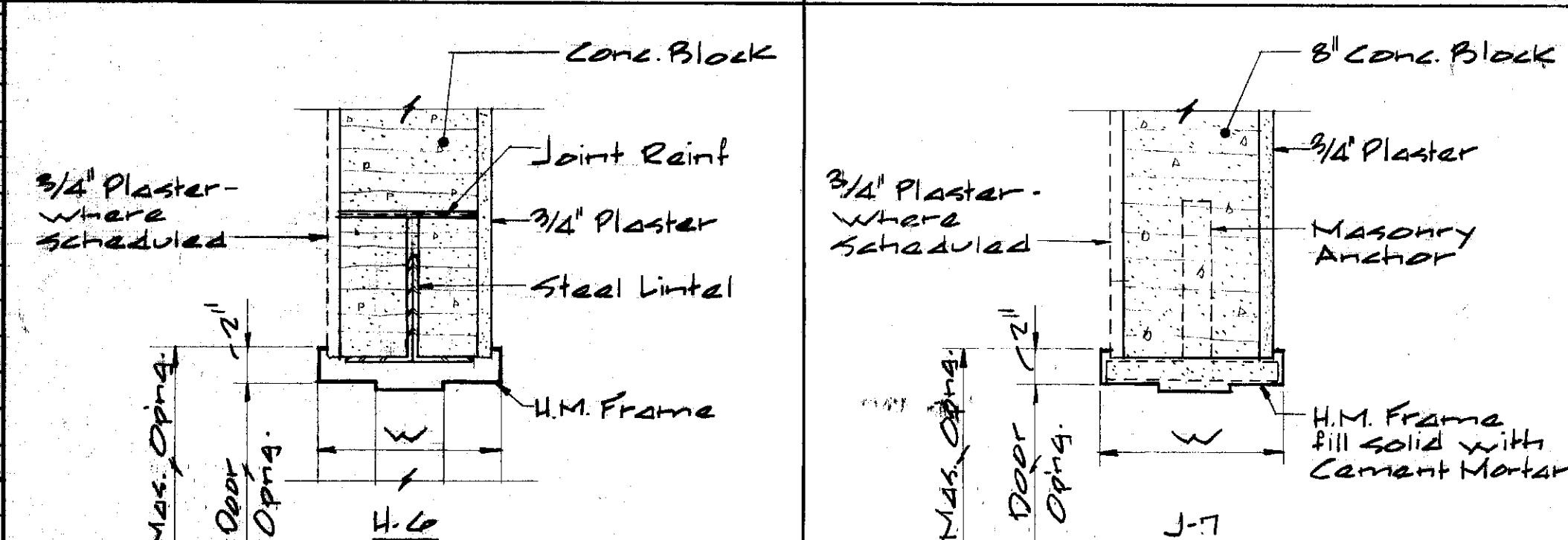
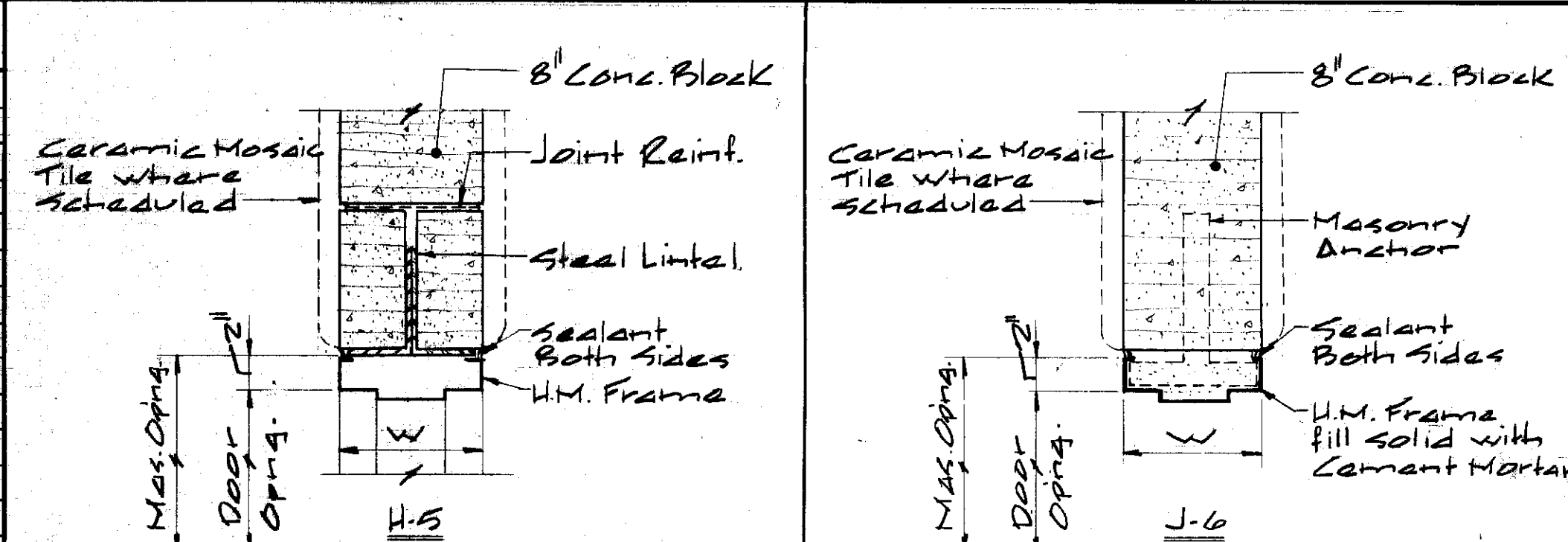
FILE NO. 115.219.079F
 DATE JULY 1, 1975
DOOR SCHEDULE & DETAILS A-19

DOOR SCHEDULE

TYPICAL DOOR HEAD & JAMB DETAILS

Scale: 1/2" = 1'-0"

NO.	LOCATION		SIZE			DOOR			FRAME			L-Code	L-Intal	THRESHOLD		Weather Strip	Jamb Ext. Below Fin. Fl.	REMARKS	NO.
	FROM (Keyside)	TO	Width	Height	Thick.	Type	Mat.	Louver	Mat.	Width	Head			Jamb	Mat.				
UNIT "B" FIRST & 2ND FLOOR																			
E 11	Exterior	Boiler Room	3'-2"	14'-0"	1-3/4"	G	H.M.	---	H.M.	8-3/4"	H-9	J-1	L-2	Alum.	T-1	✓	2"	Louver Above 7'-0" Door	E 11
E 12	Exterior	Boiler Room	12'-0"	14'-0"	---	D	Steel	---	Steel	8"	H-3	J-3	L-5	Steel	T-7	✓	2"		E 12
E 13	Exterior	Garage	12'-0"	14'-0"	---	D	Steel	---	Steel	8"	H-3	J-3	L-5	Steel	T-7	✓	2"		E 13
E 14	Exterior	Chemical Storage	3'-0"	14'-0"	1-3/4"	G	H.M.	---	H.M.	8-3/4"	H-9	J-1	L-2	Alum.	T-1	✓	2"	Louver Above 7'-0" Door	E 14
E 15	Exterior	Chemical Storage	12'-0"	14'-0"	---	D	Steel	---	Steel	8"	H-3	J-3	L-5	Steel	T-7	✓	2"		E 15
E 16	Exterior	Grit Removal Room	3'-0"	14'-0"	1-3/4"	G	H.M.	---	H.M.	8-3/4"	H-9	J-1	L-2	Alum.	T-1	✓	2"	Louver Above 7'-0" Door	E 16
E 17	Exterior	Garage	12'-0"	14'-0"	---	D	Steel	---	Steel	8"	H-3	J-3	L-5	Steel	T-7	✓	2"		E 17
E 18	Exterior	Garage	3'-0"	14'-0"	1-3/4"	G	H.M.	---	H.M.	8-3/4"	H-9	J-1	L-2	Alum.	T-1	✓	2"	Louver Above 7'-0" Door	E 18
E 19	Exterior	Grit Removal Room	12'-0"	14'-0"	---	D	Steel	---	Steel	8"	H-3	J-3	L-5	Steel	T-7	✓	2"	Explosion Proof Door	E 19
E 20	Exterior	Grit Removal Room	3'-0"	14'-0"	1-3/4"	G	H.M.	---	H.M.	8-3/4"	H-9	J-1	L-2	Alum.	T-1	✓	2"	Louver Above 7'-0" Door	E 20
E 21	Exterior	Grit Removal Room	12'-0"	14'-0"	---	D	Steel	---	Steel	8"	H-3	J-3	L-5	Steel	T-7	✓	2"	Explosion Proof Door	E 21
E 22	Exterior	Screenings	3'-0"	8'-0"	1-3/4"	B	H.M.	---	H.M.	8-3/4"	H-1	J-1	L-3	Alum.	T-1	✓	4"		E 22
E 23	Exterior	Screenings	8'-0"	8'-0"	---	D	Steel	---	Steel	10"	*	J-3	L-4	Steel	T-7	✓	4"	Similar to E-23 Explosion Proof Door	E 23
E 25	Exterior	Screenings	3'-0"	8'-0"	1-3/4"	B	H.M.	---	H.M.	8-3/4"	H-1	J-1	L-3	Alum.	T-1	✓	4"		E 25
E 26	Exterior	Sludge Process Room	3'-0"	8'-0"	1-3/4"	B	H.M.	---	H.M.	8-3/4"	H-1	J-1	L-3	Alum.	T-1	✓	4"		E 26
E 27	Exterior	Sludge Process Room	3'-0"	7'-0"	1-3/4"	B	H.M.	---	H.M.	8-3/4"	H-2	J-2	---	Alum.	T-1	✓	---		E 27
E 28	Exterior	Vestibule	3'-0"	7'-0"	1-3/4"	B	H.M.	---	H.M.	8-3/4"	H-2	J-2	---	Alum.	T-1	✓	---		E 28
128	Vestibule	Sludge Process Room	2'-3'-0"	8'-0"	1-3/4"	F	H.M.	---	H.M.	8-3/4"	H-	J-7	L-2	---	---	---	4"		128
129	Sludge Process Control Rm	Sludge Process Room	2'-3'-0"	8'-0"	1-3/4"	H	H.M.	---	H.M.	8-3/4"	H-6	J-7	L-1	---	---	---	4"	12"x24" Louver	129
130	Boiler Room	Sludge Process Room	3'-0"	7'-0"	1-3/4"	A	H.M.	---	H.M.	8-3/4"	H-6	J-7	B	L-1	---	---	4"		130
131	Garage	Chemical Storage	3'-0"	7'-0"	1-3/4"	F	H.M.	---	H.M.	8-3/4"	H-6	J-7	L-1	---	---	---	4"		131
132	Garage	Sludge Process Room	3'-0"	7'-0"	1-3/4"	F	H.M.	---	H.M.	8-3/4"	H-6	J-7	L-1	---	---	---	4"		132
133	Man	Sludge Process Room	3'-0"	7'-0"	1-3/4"	C	H.M.	12"x24"	H.M.	8-3/4"	H-6	J-7	L-1	---	---	---	4"		133
223	Vestibule	Mezzanine	2'-3'-0"	8'-0"	1-3/4"	F	H.M.	---	H.M.	8-3/4"	H-6	J-7	L-2	---	---	---	---		223
224	Odor Control Equip. Room	Stairway	3'-0"	6'-10"	1-3/4"	F	H.M.	---	H.M.	8-3/4"	H-1	J-1	L-2	Alum.	T-1	✓	4"		224

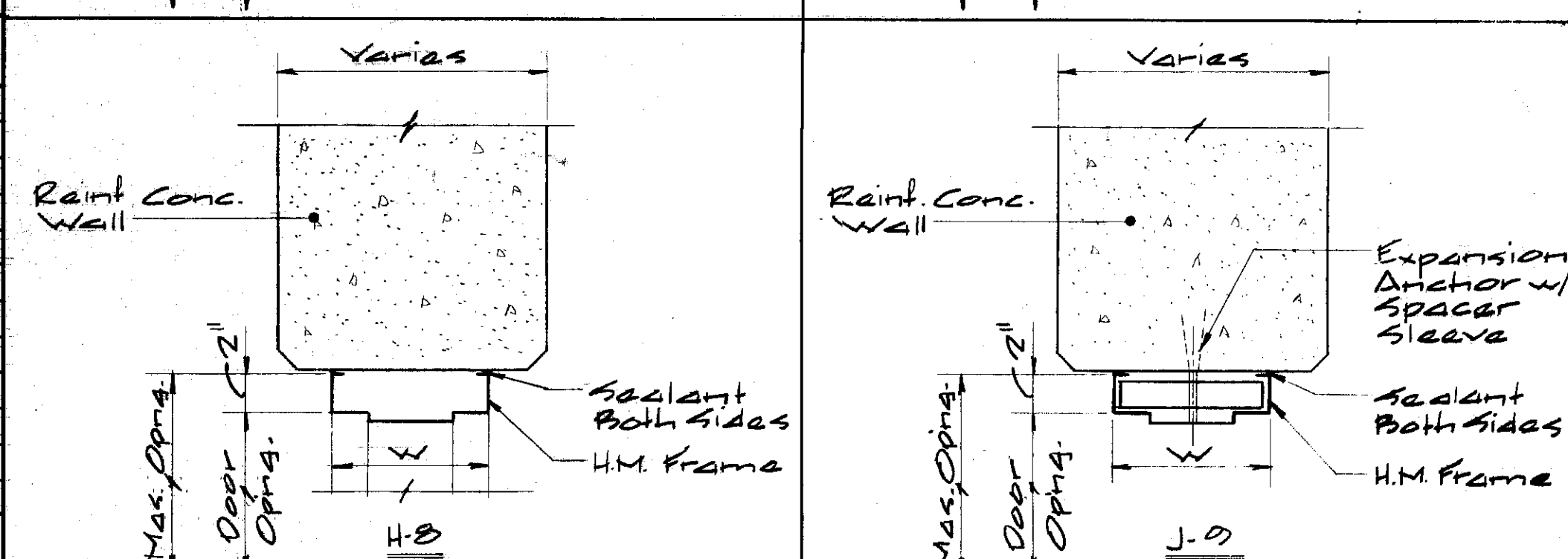


UNIT I																			
E 29	Exterior	Oxygen Gen. Bldg.	3'-0"	14'-0"	1-3/4"	G	H.M.	---	H.M.	8-3/4"	H-9	J-1	---	Alum.	T-1	✓	---	Louver Above 7'-0" Door	E 29
E 30	Exterior	Oxygen Gen. Bldg.	3'-0"	14'-0"	1-3/4"	G	H.M.	---	H.M.	8-3/4"	H-9	J-1*	---	Alum.	T-1	✓	---	Louver Above 7'-0" Door *	E 30
E 31	Exterior	Oxygen Gen. Bldg.	9'-9"	18'-0"	---	D	Steel	---	Steel	8"	5/A-B*	2/A-B*	---	Steel	T-7	✓	---	See Details Dwg. A-B*	E 31

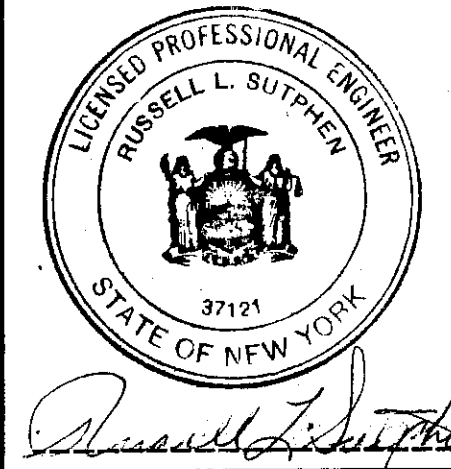
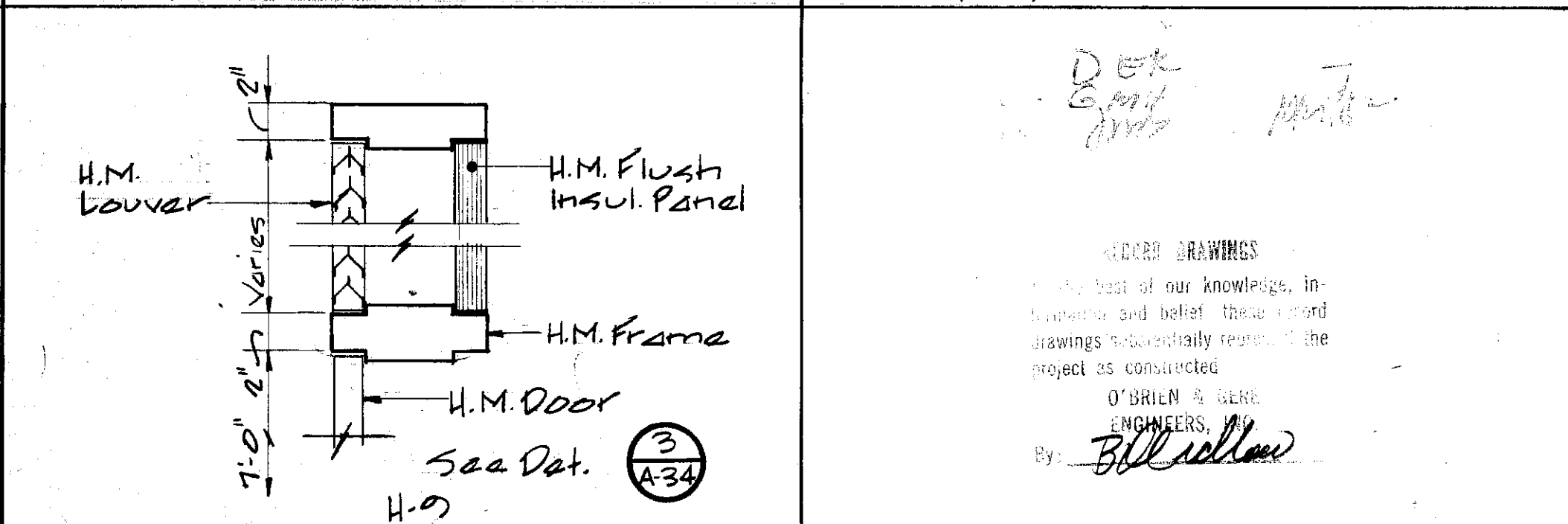
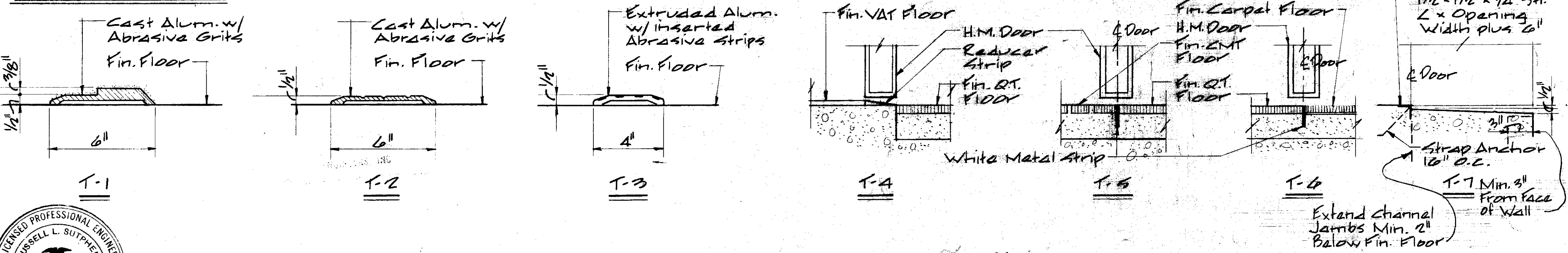
UNIT K																			
E 32	Exterior	Access Building	2'-3'-0"	8'-0"	1-3/4"	B	H.M.	---	H.M.	8-3/4"	H-1	J-1	---	Alum.	T-1	✓	---	Louver Slotted Transom	E 32
E 33	Exterior	Access Building	2'-3'-0"	8'-0"	1-3/4"	B	H.M.	---	H.M.	8-3/4"	H-1	J-1	---	Alum.	T-1	✓	---	Louver Slotted Transom	E 33

UNIT F																			
E 34	Exterior	Access Building	2'-3'-0"	8'-0"	1-3/4"	B	H.M.	---	H.M.	8-3/4"	H-1	J-1	---	Alum.	T-1	✓	---	Louver Slotted Transom	E 34
E 35	Exterior	Access Building	2'-3'-0"	8'-0"	1-3/4"	B	H.M.	---	H.M.	8-3/4"	H-1	J-1	---	Alum.	T-1	✓	---	Louver Slotted Transom	E 35

CHLORINATION BUILDING																			
E 37	Exterior	Chlorine Room	3'-0"	12'-0"	1-3/4"	G	H.M.	---	H.M.	8-3/4"	H-9	J-1	L-2	Alum.	T-1	✓	---	Louver Above 7'-0" Door	E 37
E 38	Exterior	Chlorine Room	3'-0"	7'-2"	1-3/4"	B	H.M.	---	H.M.	8-3/4"	H-1	J-1	L-2	Alum.	T-1	✓	---		E 38
E 39	Exterior	Chlorine Room	16'-4"	14'-0"	---	D	Steel	---	Steel	8"	*	2/A-B	L-5	Steel	T-7	✓	---	* See Det. 3 Dwg. S-29	E 39
E 40	Exterior	Electric Equip. Room	3'-0"	7'-10"	1-3/4"	B	H.M.	---	H.M.	8-3/4"	H-1	J-1	L-2	Alum.	T-1	✓	---		E 40
226	Gallery	Compressor Room	2'-3'-0"	7'-0"	1-3/4"	A	H.M.	---	H.M.	8-3/4"	H-8	J-9	---	---	---	---	---		226
227	Gallery	Stair #9	2'-3'-0"	7'-0"	1-3/4"	F	H.M.	---	H.M.	8-3/4"	H-8	J-9	---	---	---	---	---		227
228	Gallery	Stair #18	2'-3'-0"	7'-2"	1-3/4"	F	H.M.	---	H.M.	8-3/4"	H-5	J-6	L-2	---	---	---	---		228
229	Filter Room	Flue Chase	3'-0"	7'-0"	1-3/4"	A	H.M.	---	H.M.	8-3/4"	H-5	J-6	B	L-1	---	---	4"		229
230	Exist. Chlorine Room	Exist. Electric Room	3'-0"	7'-0"	1-3/4"	B	H.M.	---	H.M.	8-3/4"	H-5	J-6	---	---	---	---	---		230
232	Exterior	Existing Blower Room	3'-0"	7'-2"	1-3/4"	B	H.M.	---	H.M.	8-3/4"	H-5	J-6	---	---	---	---	---	Existing Door	232



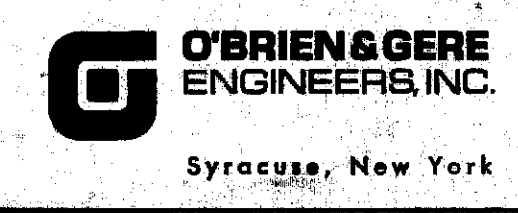
THRESHOLD TYPES:



In charge of M. Maniatale
 Designed by AON Checked by AON
 Made by RFB

NO.	DATE	REVISION	INIT.
2	2/1/78	General Revisions	RFB
1	5/1/77	General Revisions	RFB

For Additional Information See Sheets 8-72, RD-44

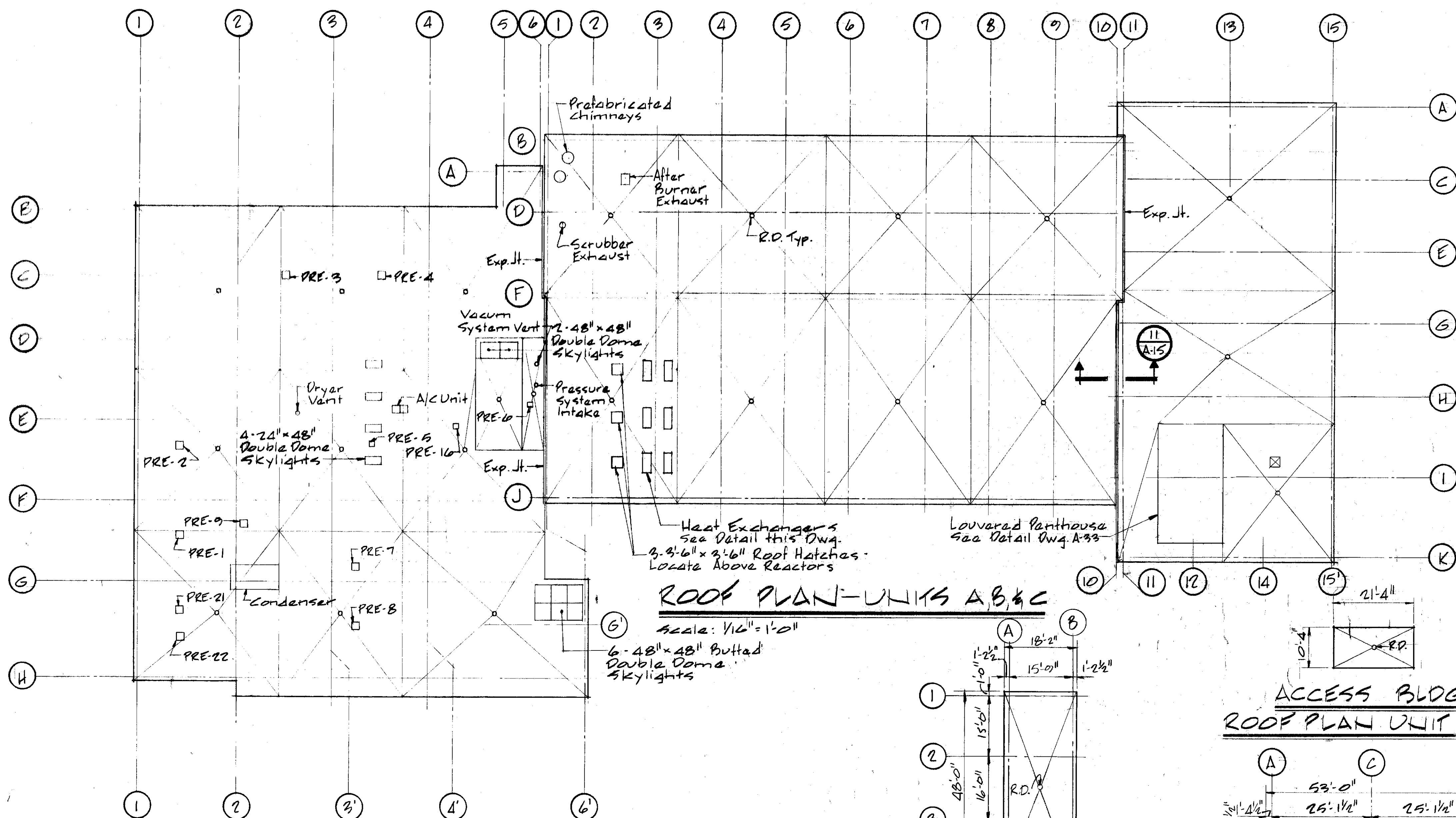


CLAY SANITARY DISTRICT
 OAK ORCHARD SERVICE AREA
 OAK ORCHARD WATER POLLUTION CONTROL PLANT

ARCHITECTURAL
 DOOR SCHEDULE & DETAILS

FILE NO. 115.219.080F
 DATE JULY 1, 1975
 A-20

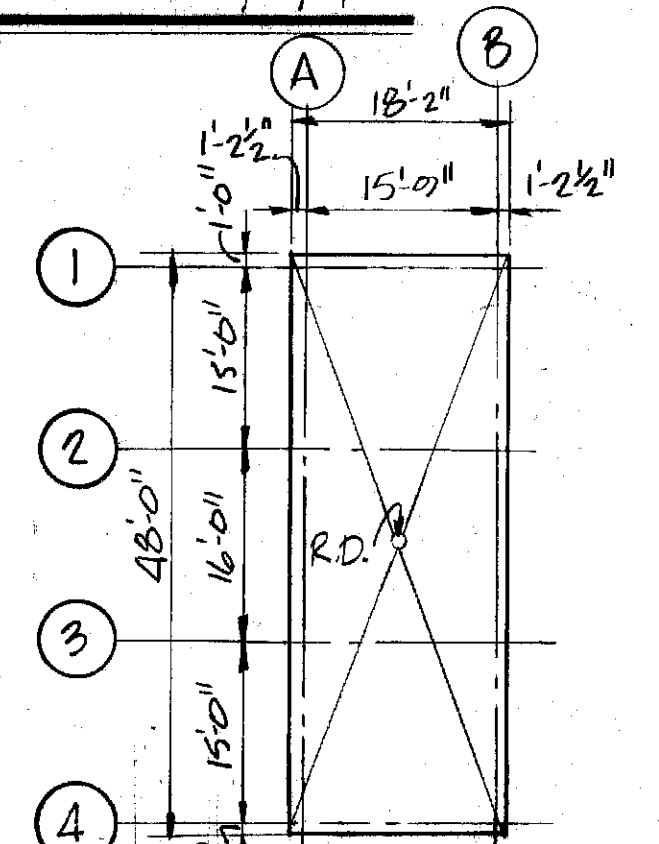
AB



ROOF PLAN-UNITS A,B,&C

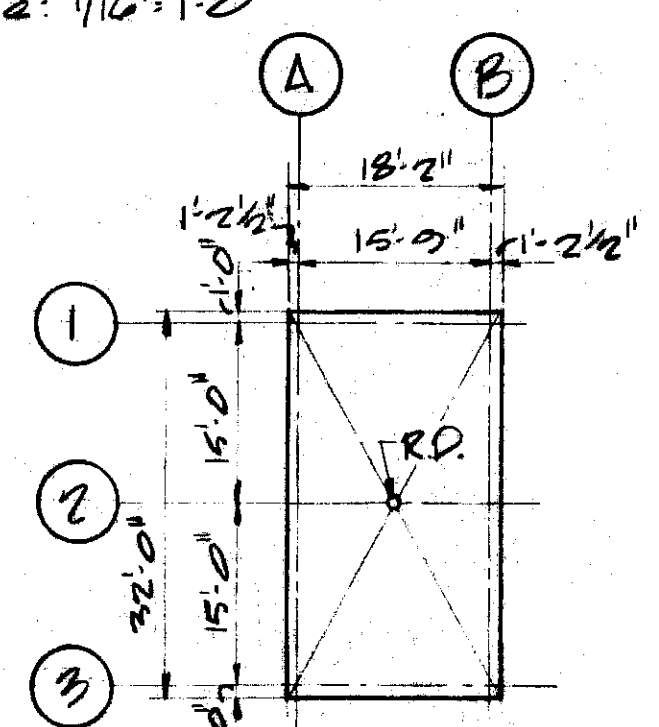
Scale: 1/16" = 1'-0"

6-48" x 48" Butted Double Dome Skylights



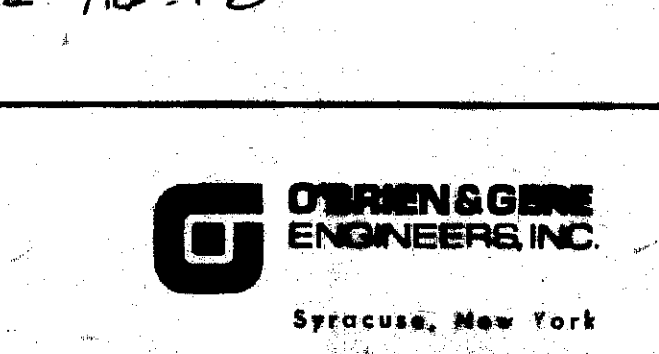
ACCESS BLDG. ROOF PLAN UNIT "F"

Scale: 1/16" = 1'-0"



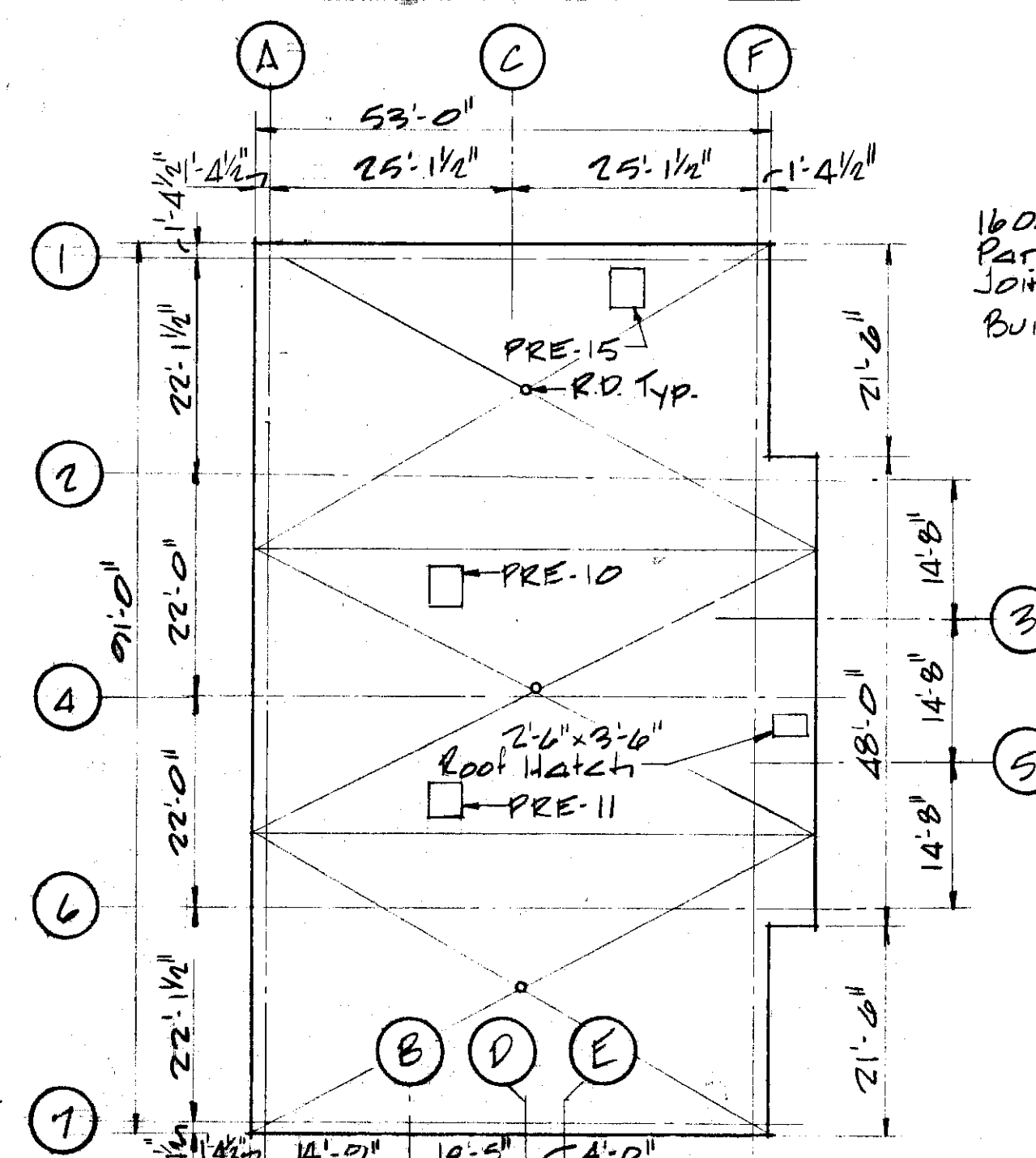
ACCESS BLDG. ROOF PLAN UNIT "H"

Scale: 1/16" = 1'-0"



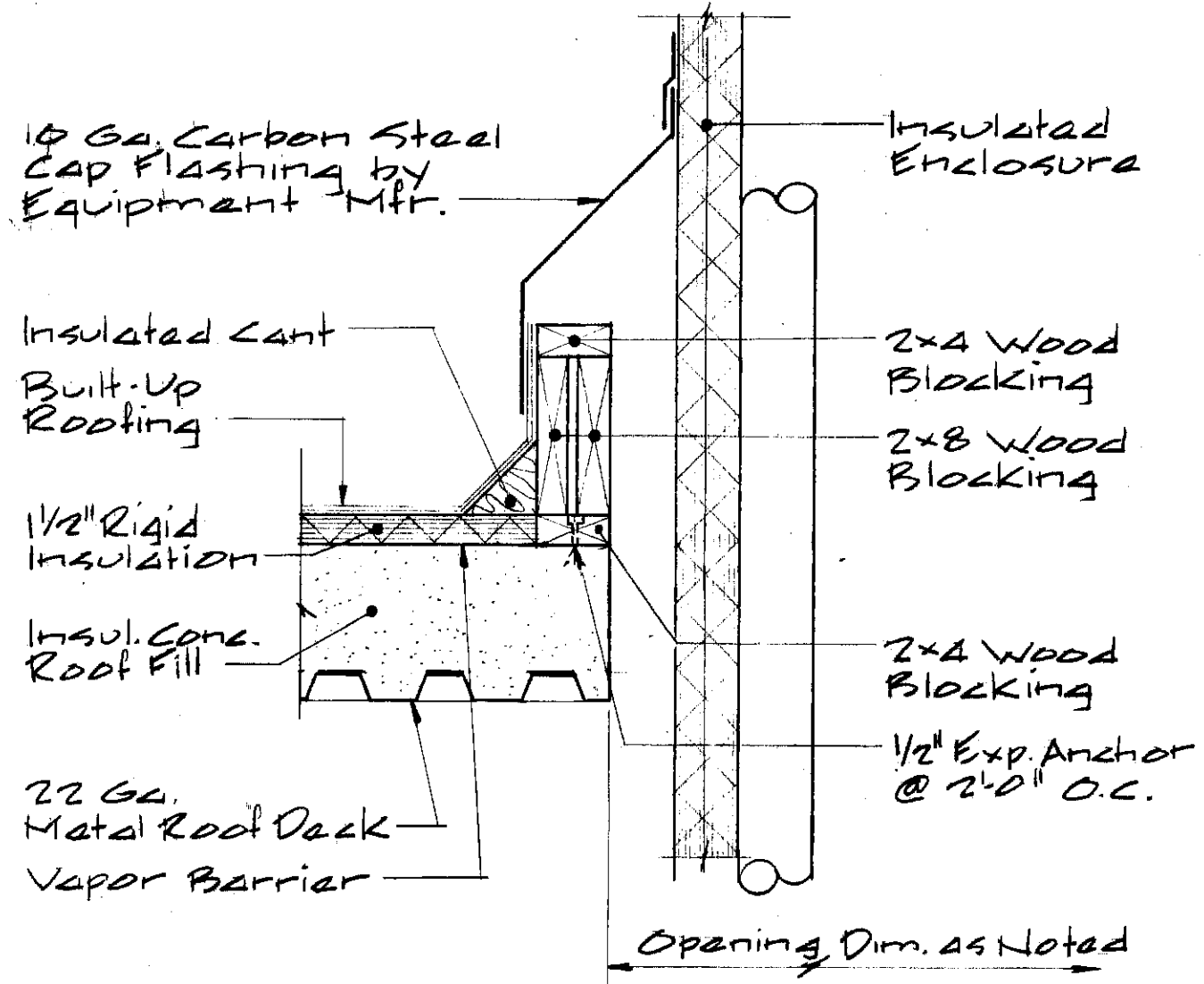
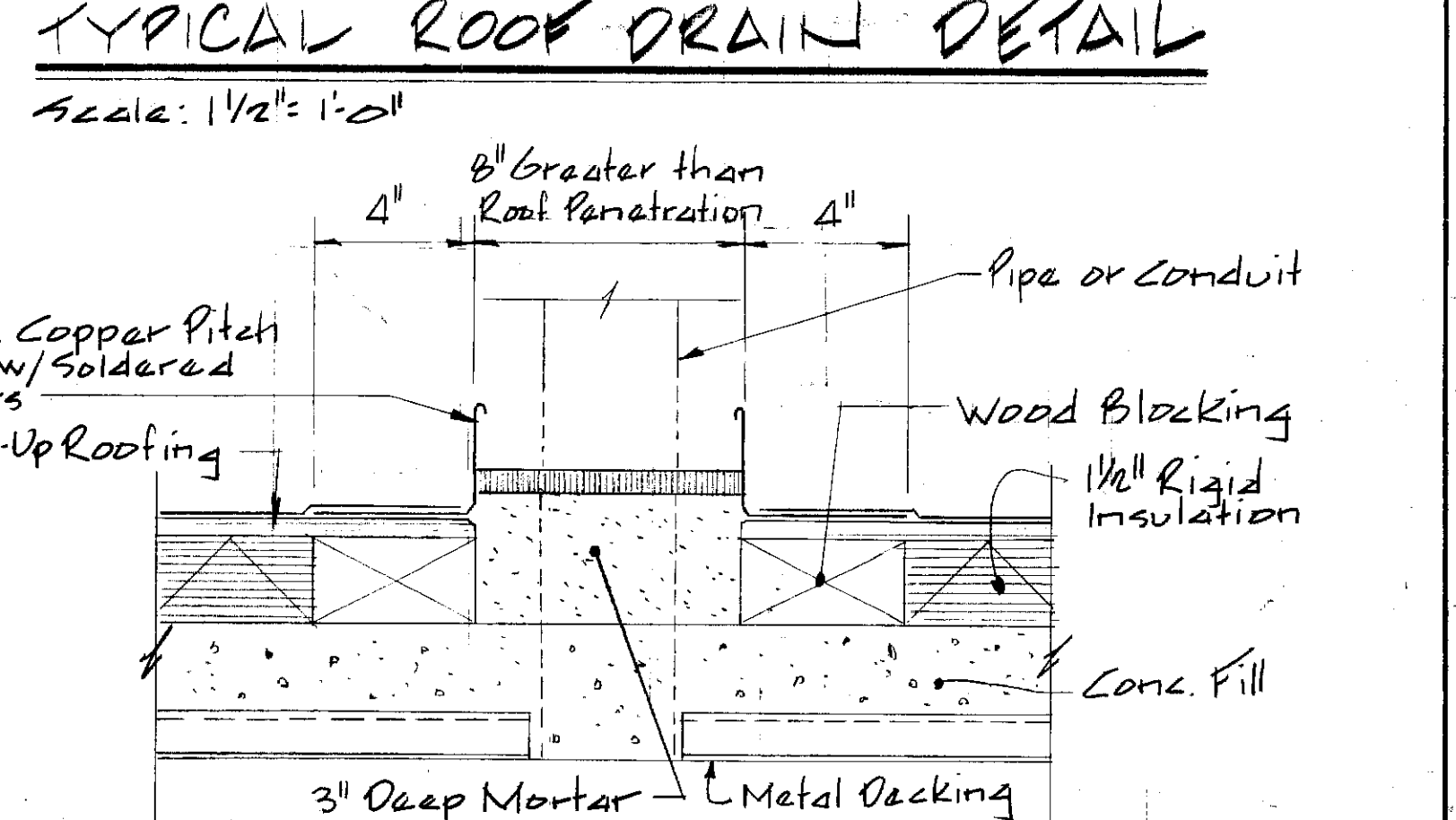
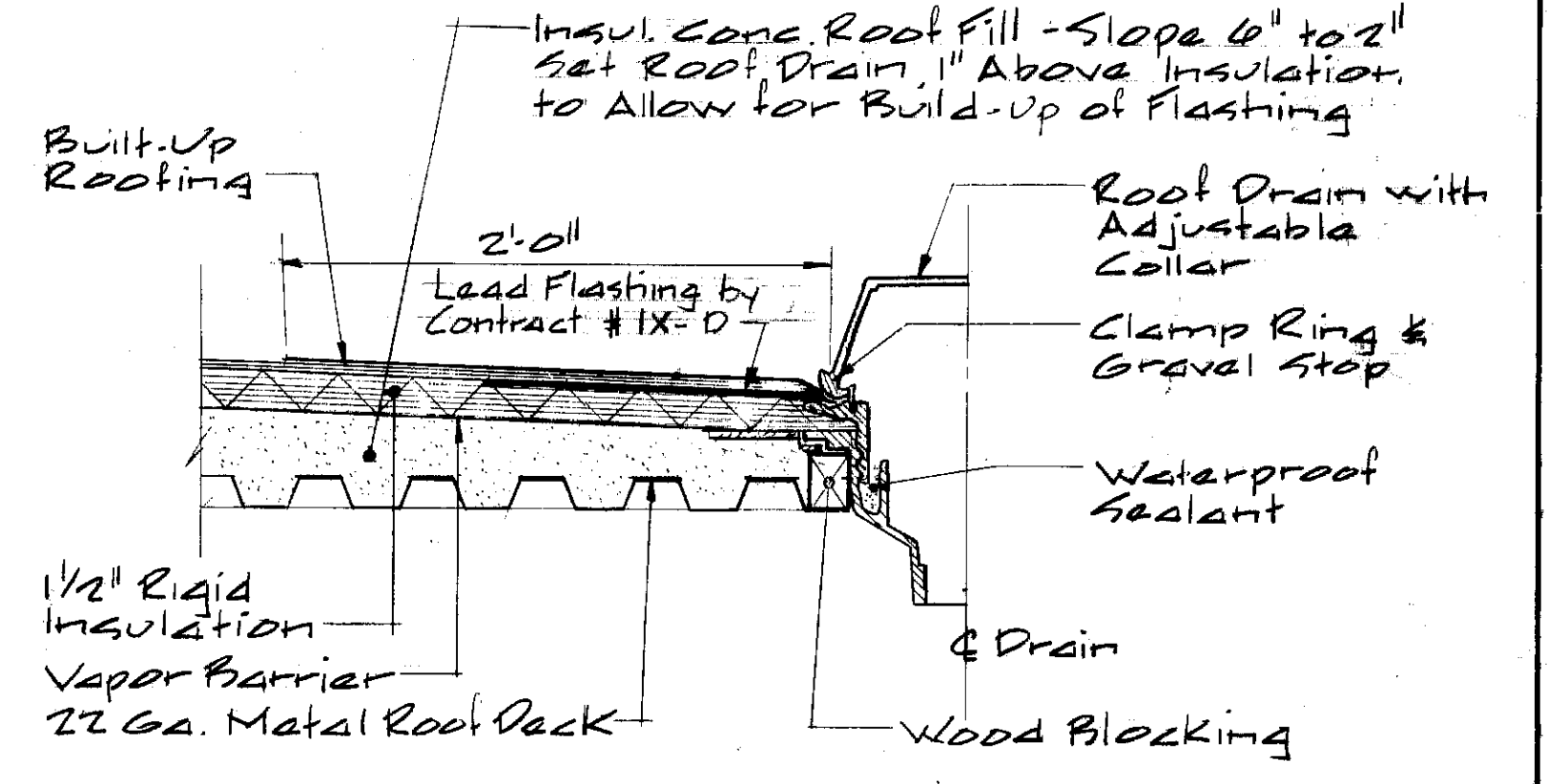
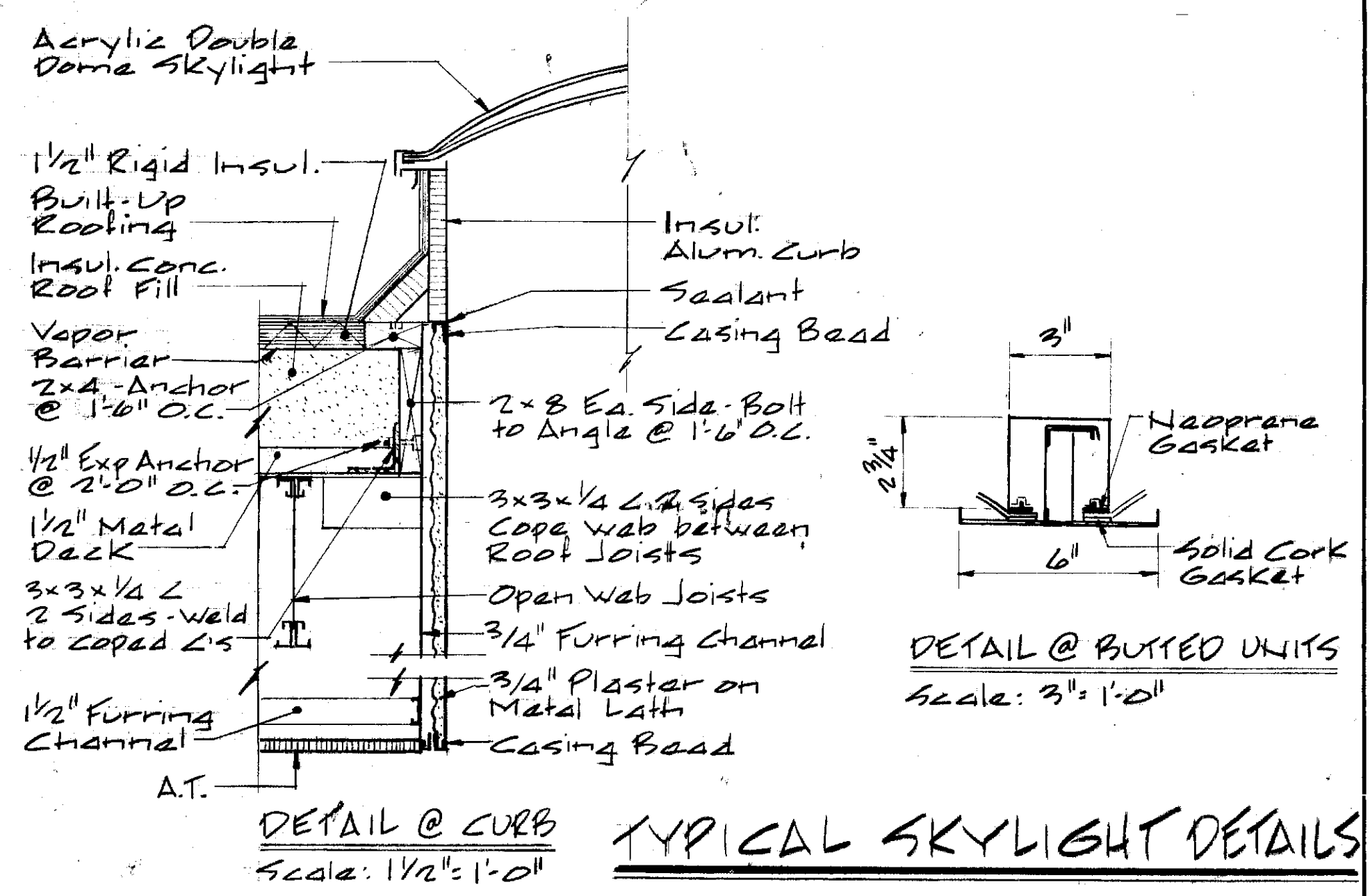
ACCESS BLDG. ROOF PLAN UNIT "K"

Scale: 1/16" = 1'-0"



OXYGEN GENERATION BLDG. ROOF PLAN UNIT "I"

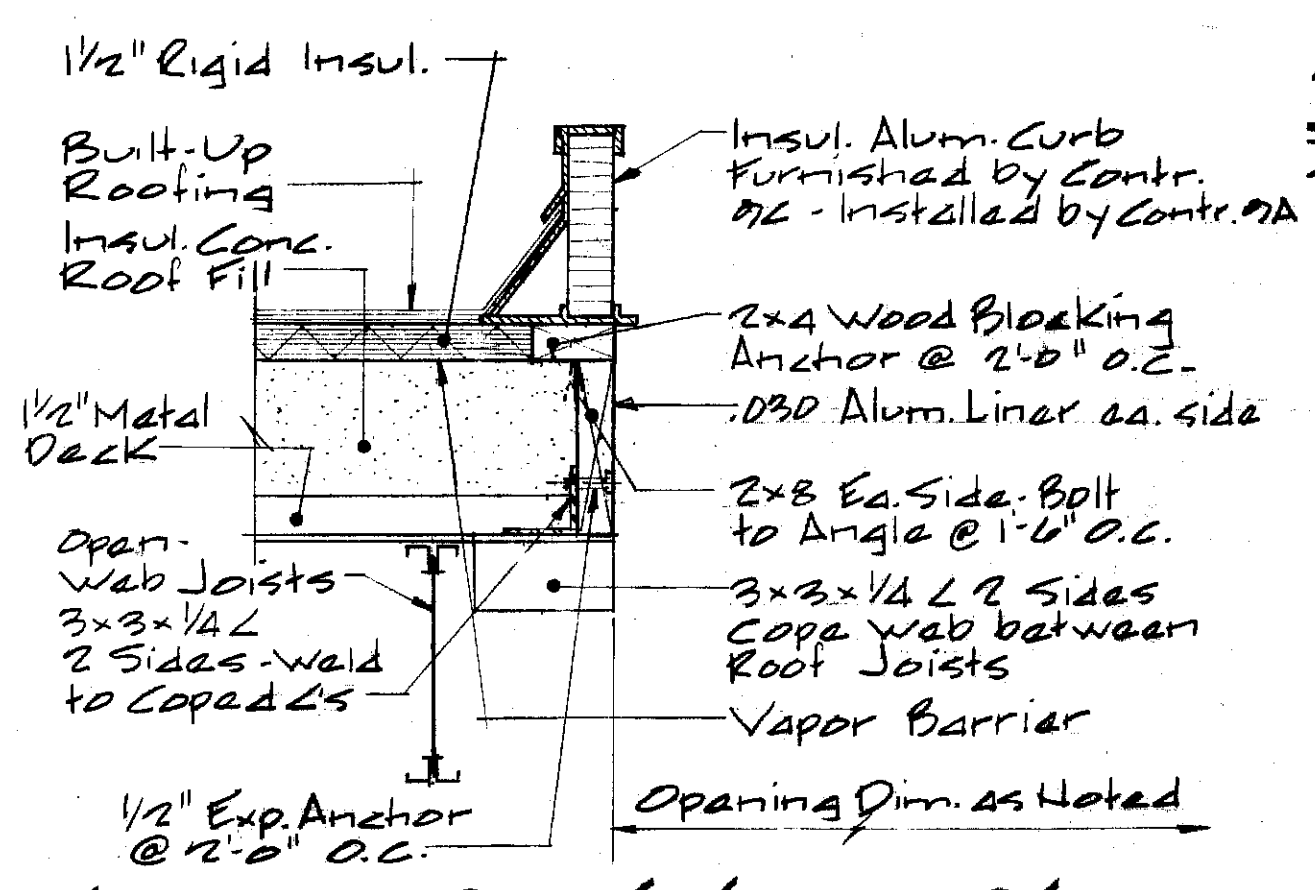
Scale: 1/16" = 1'-0"



HEAT EXCHANGER CURBS DETAIL

Scale: 1/2" = 1'-0"

Note: Details similar @ Chimneys, Exhaust, etc.



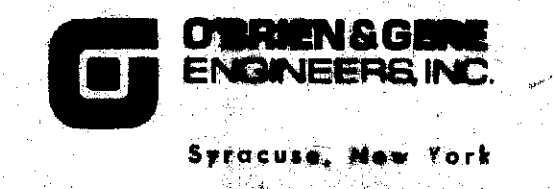
TYPICAL ROOF FAN OPENING

Scale: 1/2" = 1'-0"



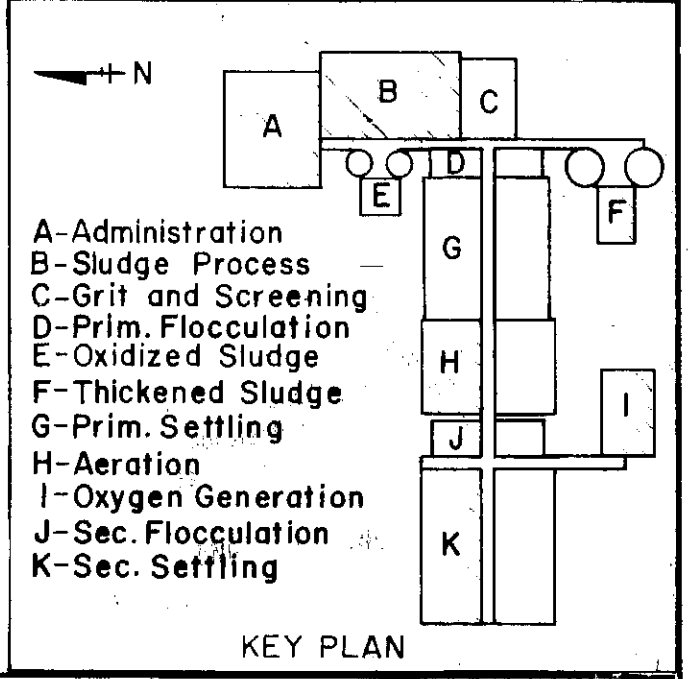
In charge of Almanak
 Designed by ADN Checked by ADN
 Made by RFB

NO.	DATE	REVISION	INIT.
2	3/1/78	General Revisions	ADN
1	5/1/77	General Revisions	RFB



CLAY SANITARY DISTRICT
 OAK ORCHARD SERVICE AREA
 OAK ORCHARD WATER POLLUTION CONTROL PLANT

ARCHITECTURAL
 ROOF PLANS & DETAILS
 FILE NO. 115.219.081F
 DATE JULY 1, 1975
 A-21



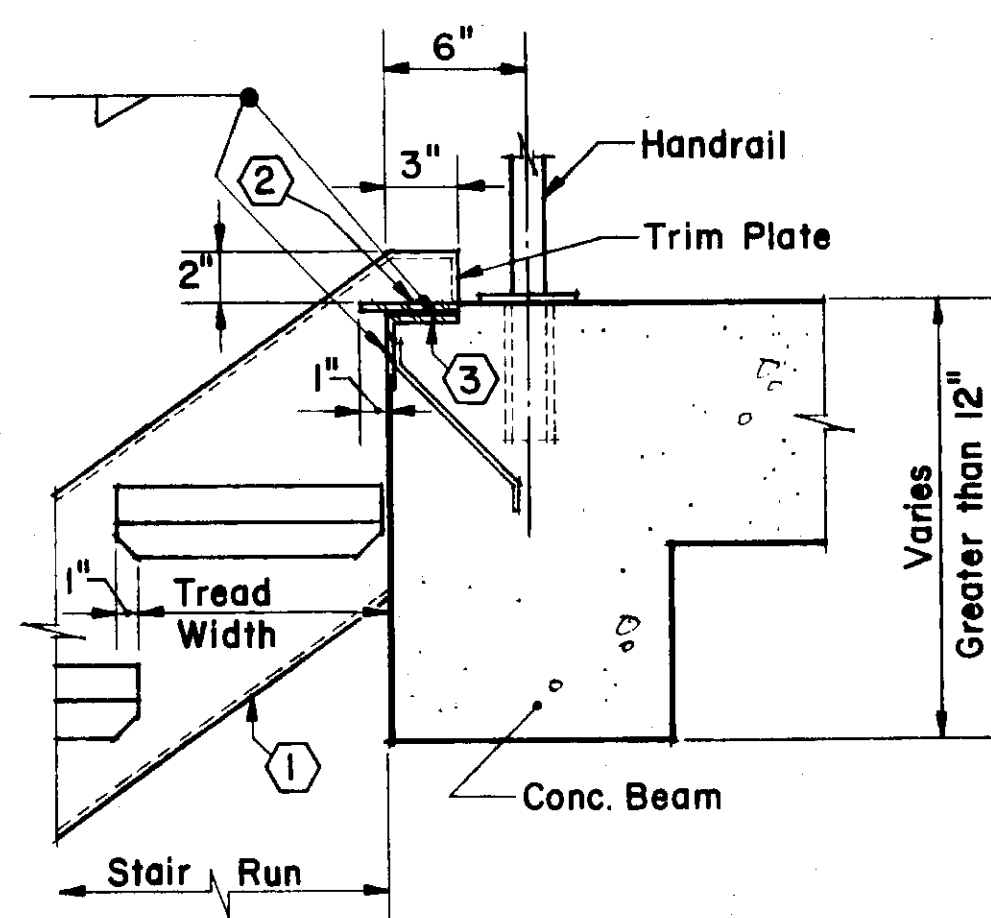
Note: Provide Pitch Pocket at all Vent Pipe, Conduit, etc. roof Penetrations



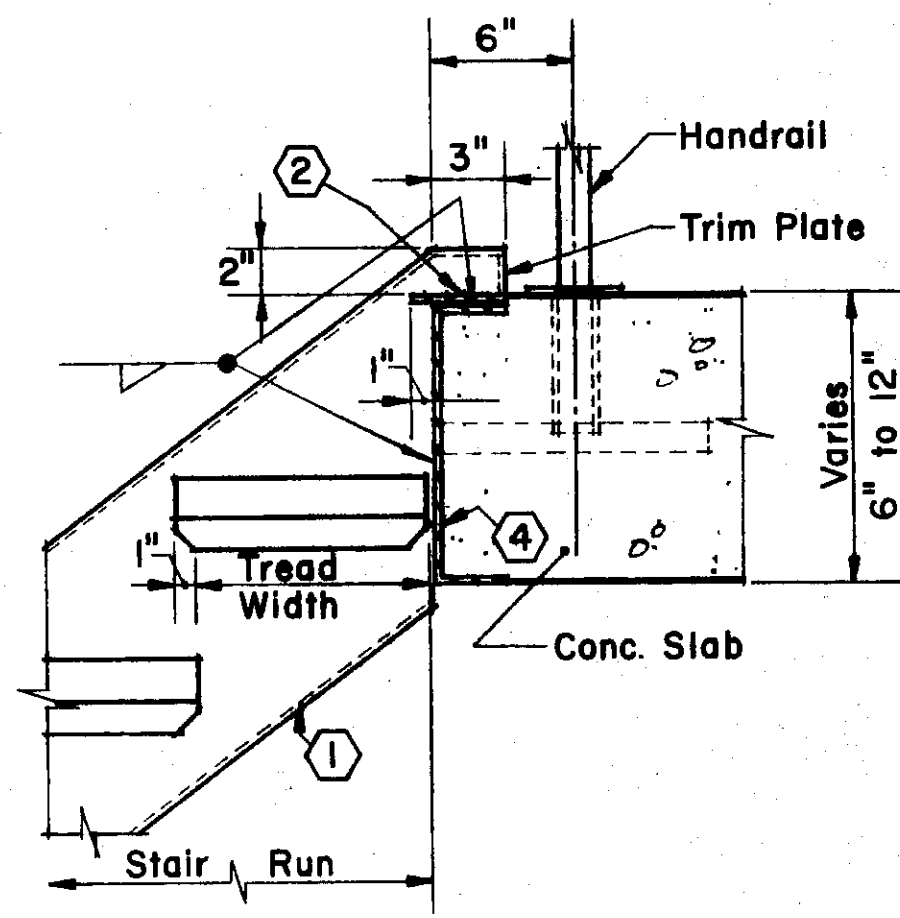
Called North

Bluelow

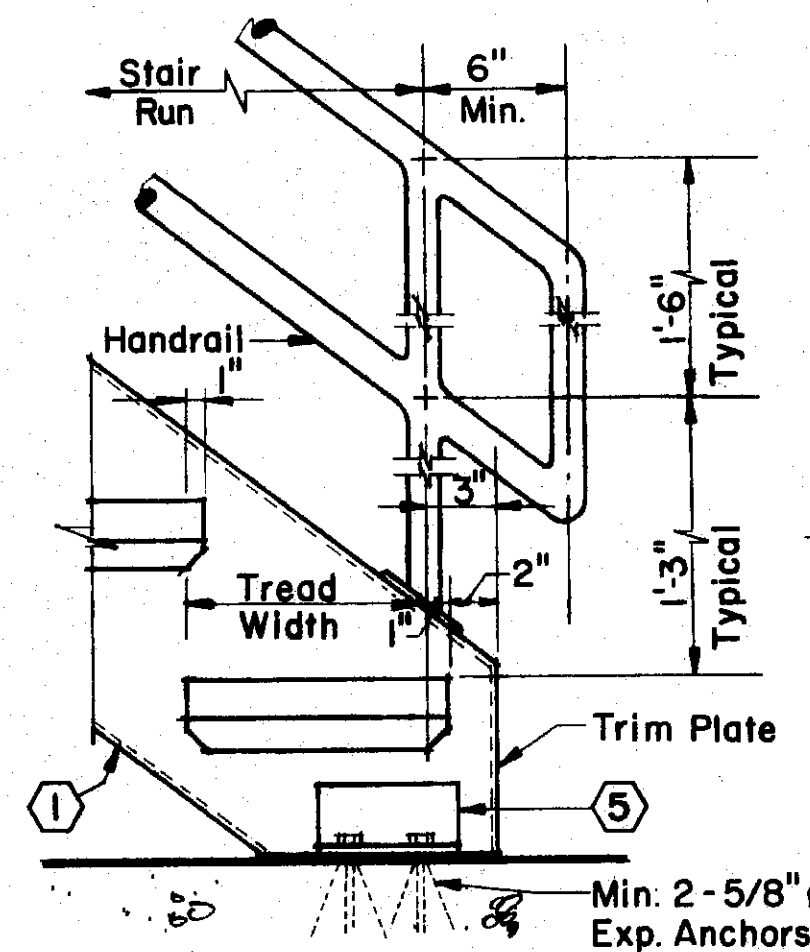
*Kickplates Shall be Provided around all Stair Well Openings where there is no Concrete Curb and between Stringers for Upper and Lower Runs at all Platforms.



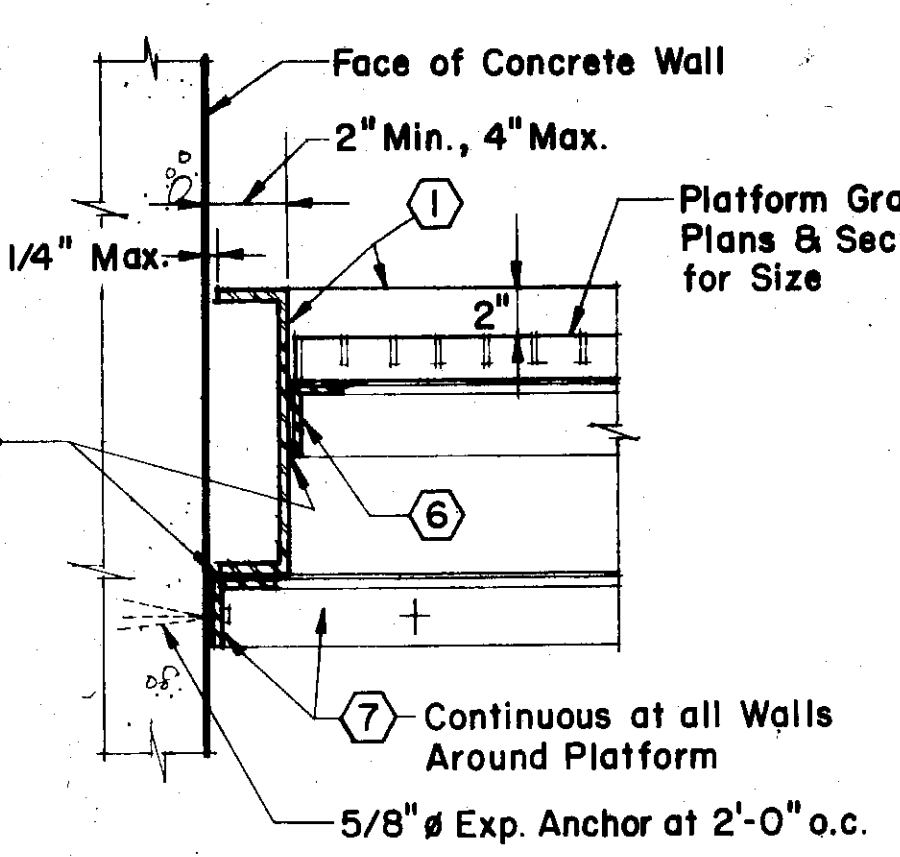
TYPICAL DETAIL 1
Scale 1/2" = 1'-0"



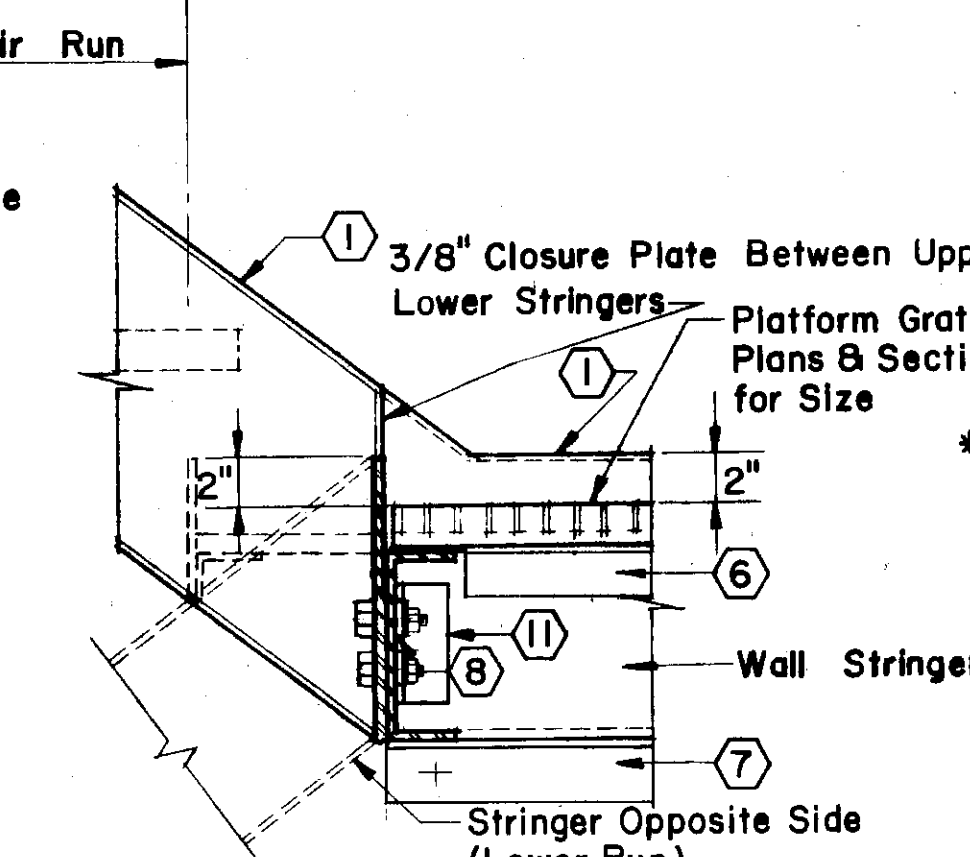
TYPICAL DETAIL 2
Scale 1/2" = 1'-0"



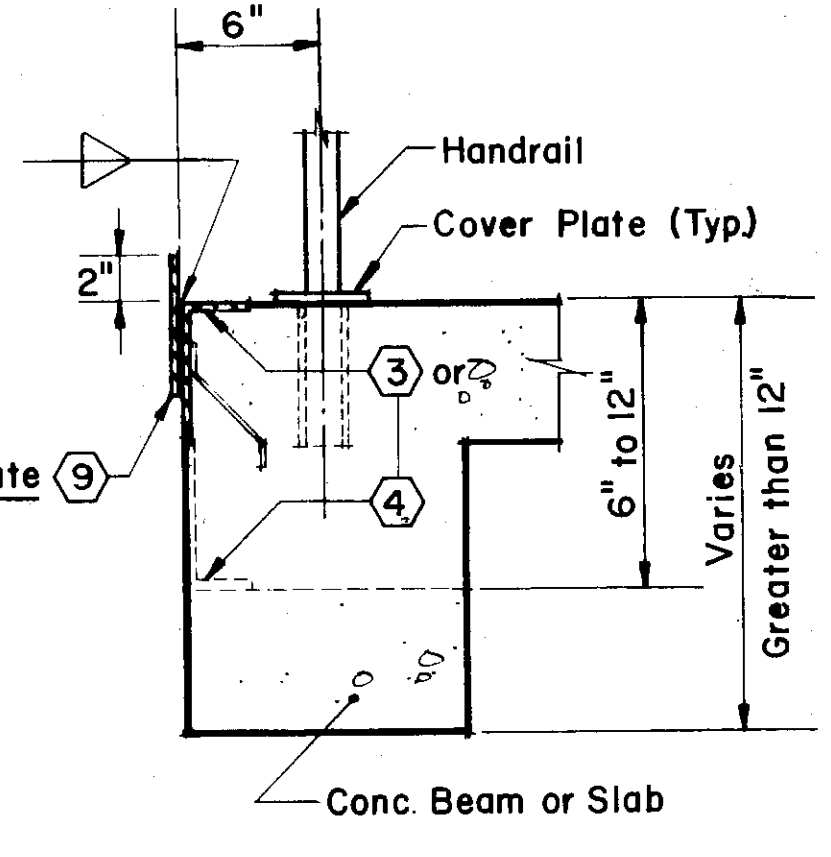
TYPICAL DETAIL 3
Scale 1-1/2" = 1'-0"



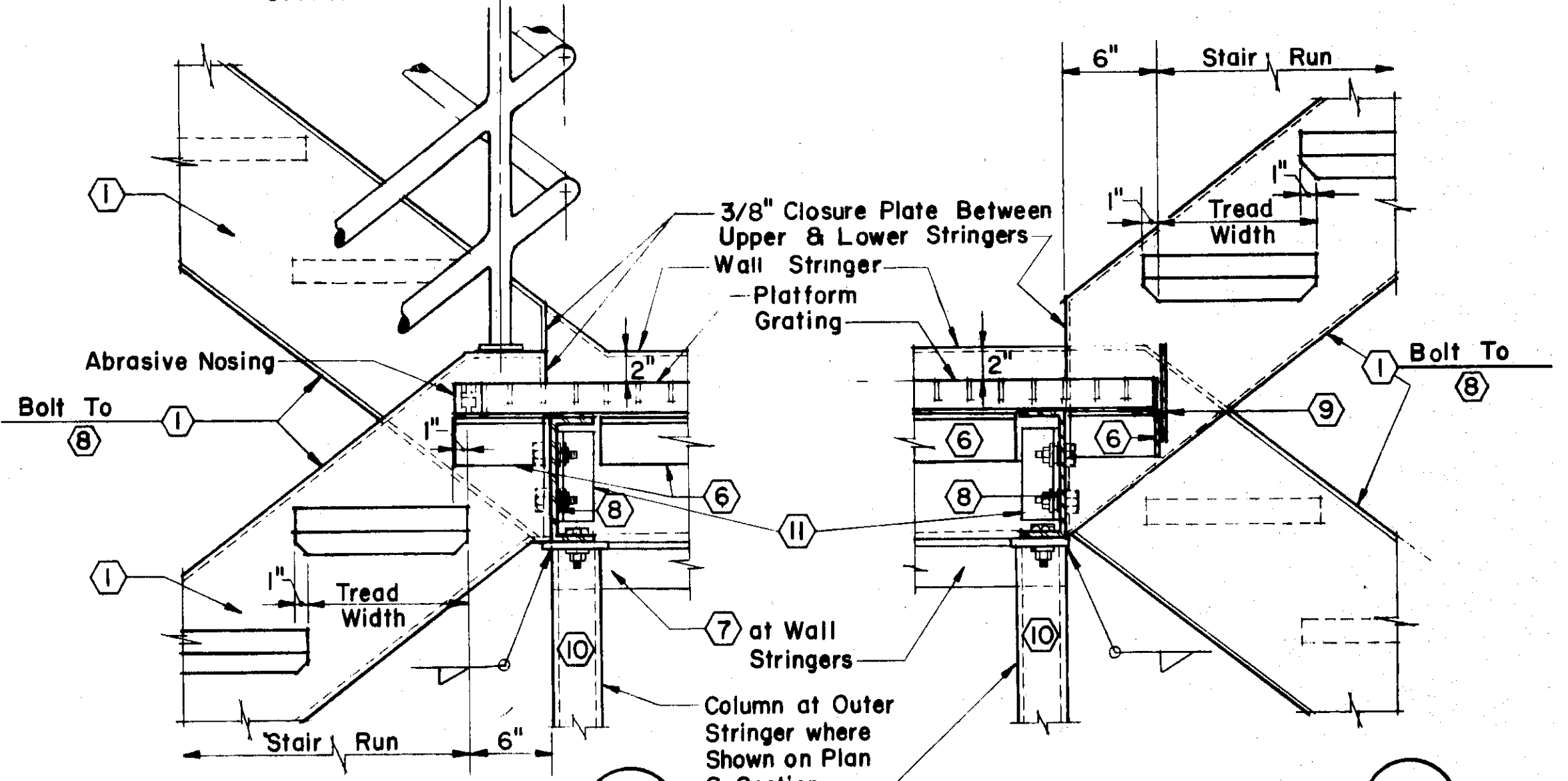
TYPICAL DETAIL 4
Scale 1 1/2" = 1'-0"



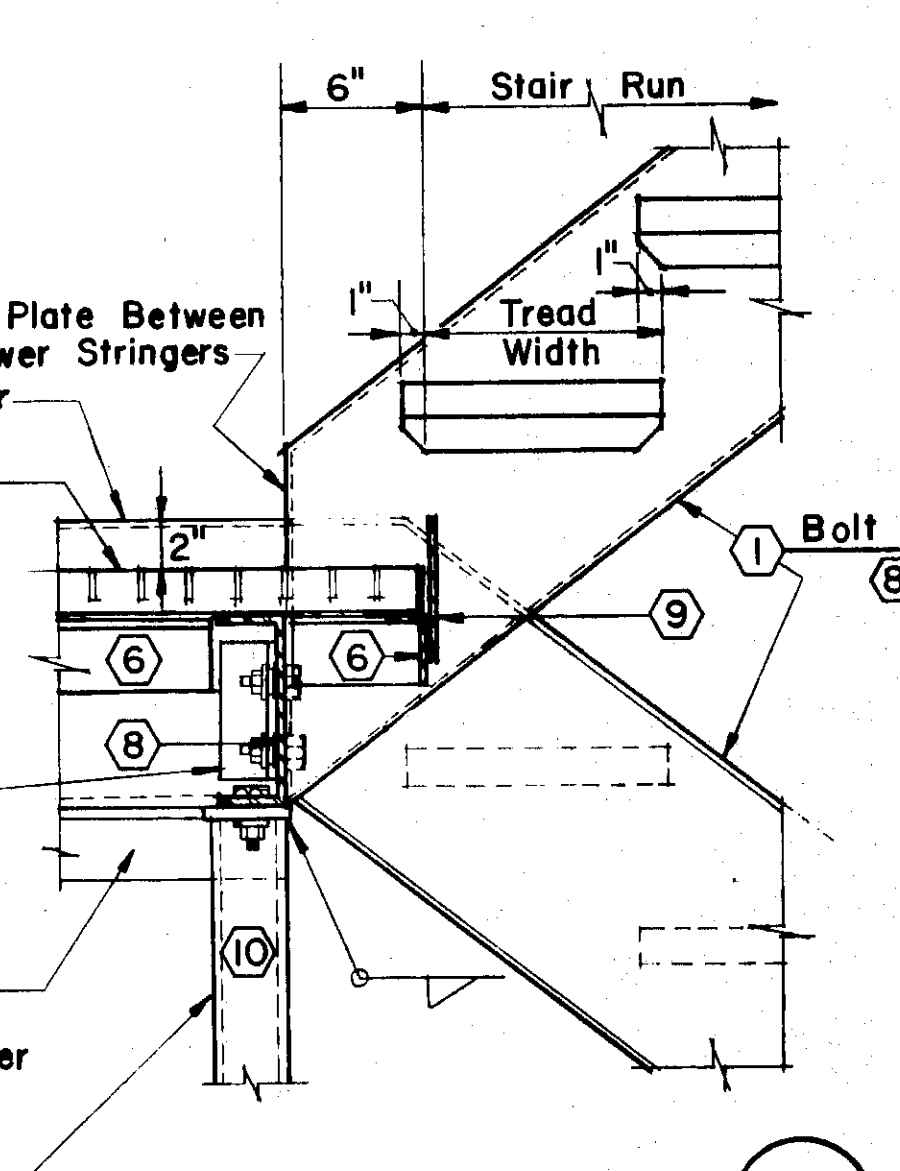
TYPICAL DETAIL 5
Scale 1/2" = 1'-0"



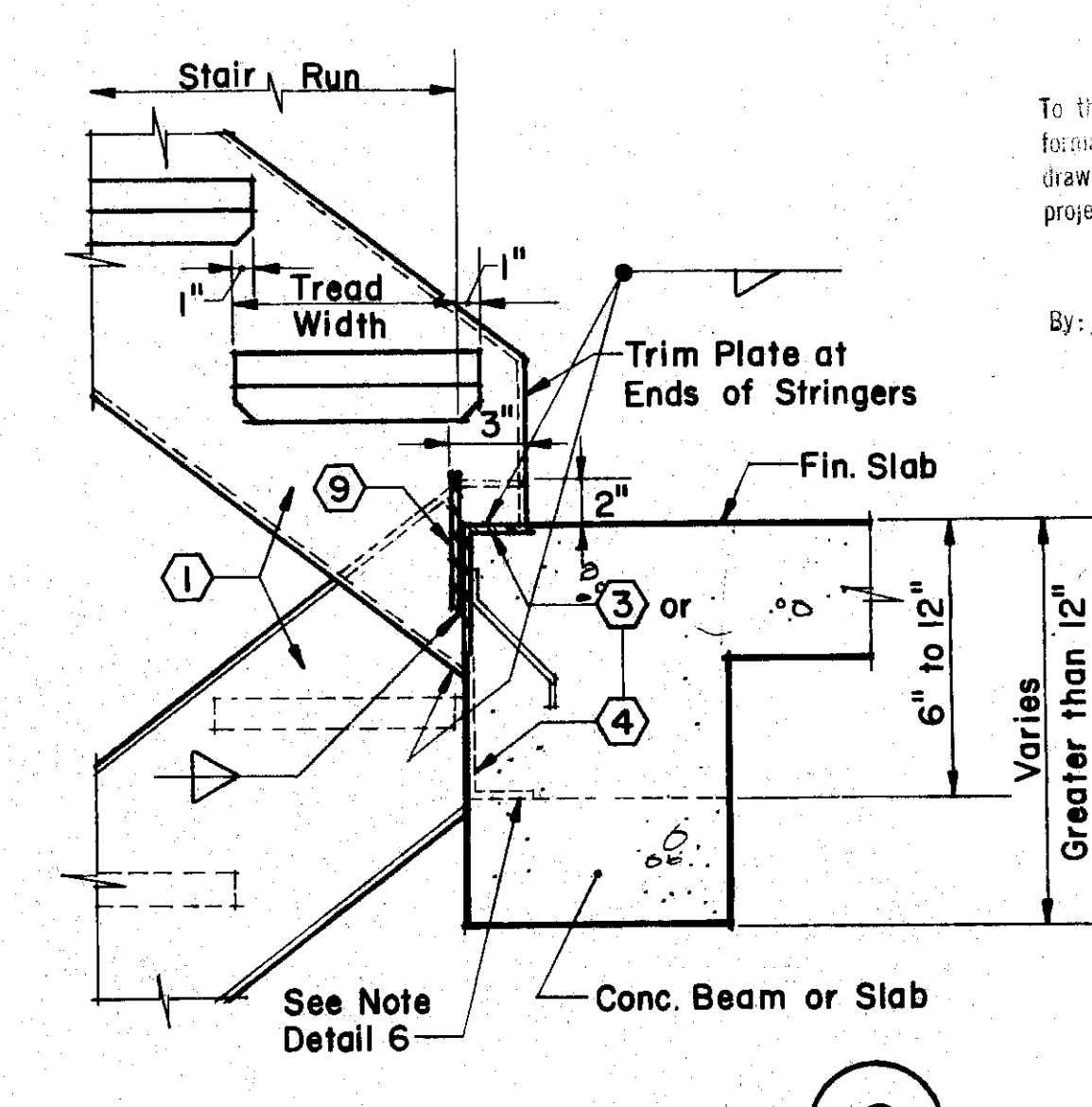
TYPICAL DETAIL 6
Scale 1/2" = 1'-0"



TYPICAL DETAIL 7
Scale 1/2" = 1'-0"



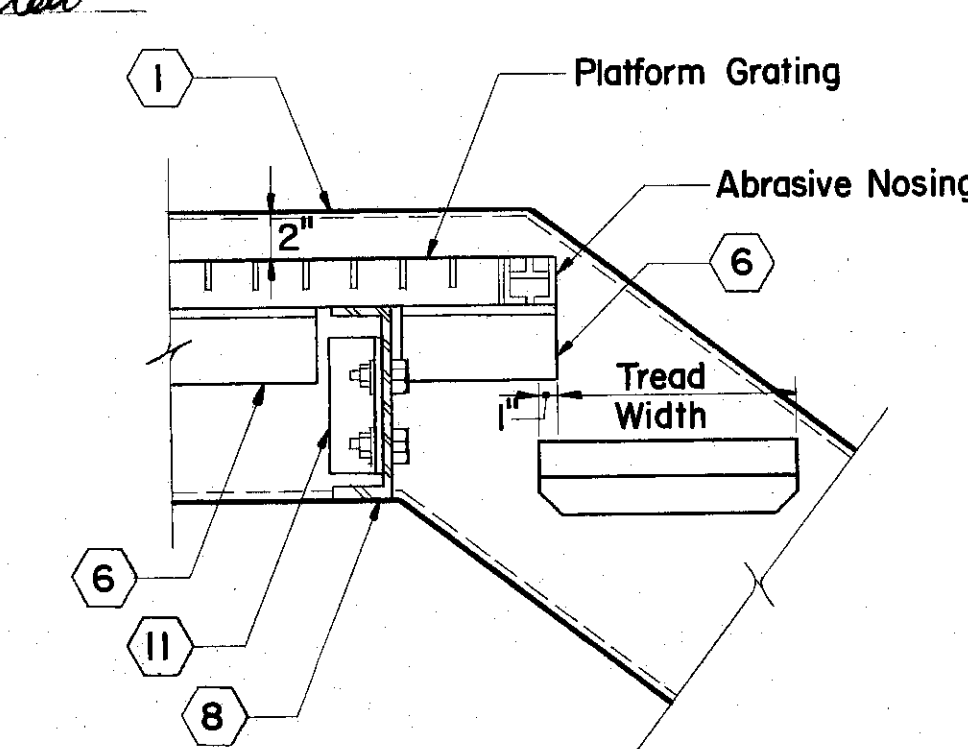
TYPICAL DETAIL 8
Scale 1/2" = 1'-0"



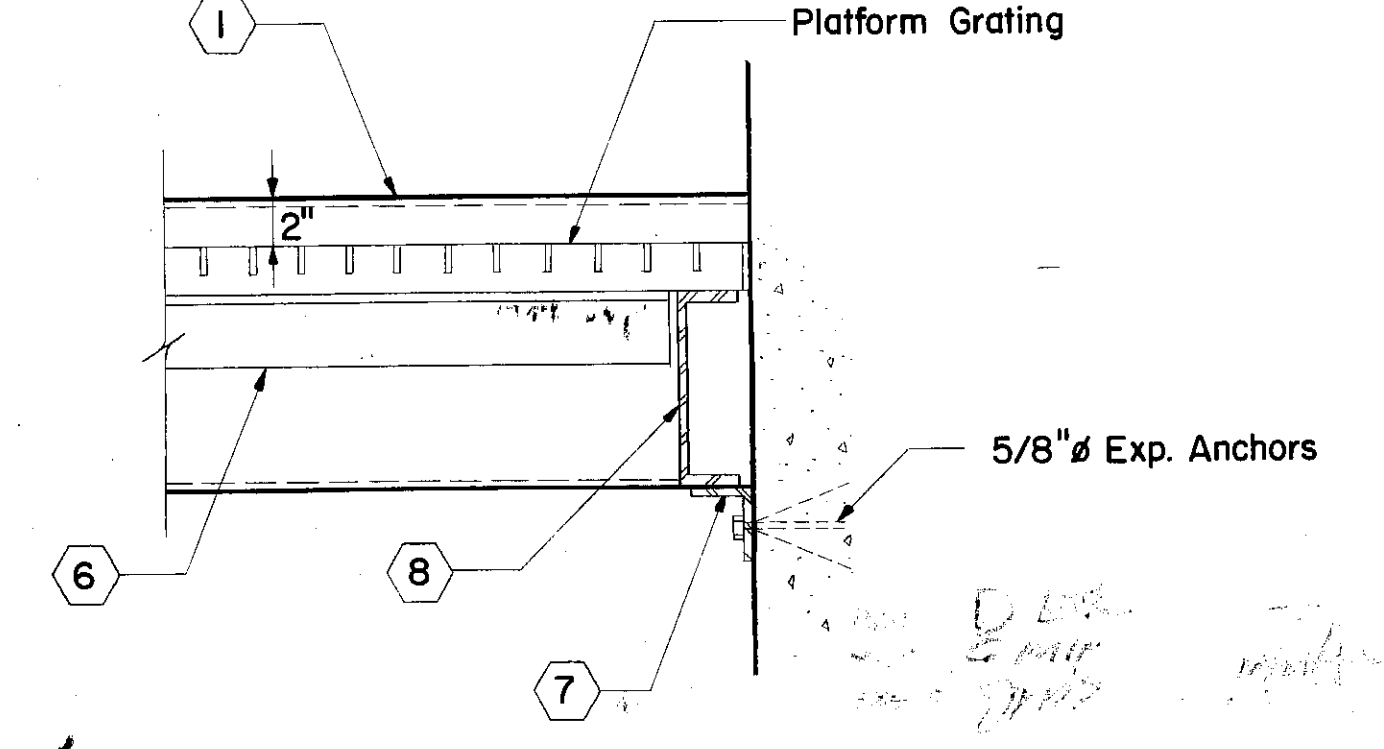
TYPICAL DETAIL 9
Scale 1/2" = 1'-0"

RECORD DRAWINGS
To the best of our knowledge, information and belief, these drawings substantially represent the project as constructed.
O'BRIEN & GERE ENGINEERS INC.
By: *[Signature]*

On Sheet A-22, At Typical Stair Details, Revise All Details With Kickplates So That Kickplate Extends 4" Above Floor Line In Lieu Of 2" As Shown.



TYPICAL DETAIL 10
Scale 1-1/2" = 1'-0"



TYPICAL DETAIL 11
Scale 1-1/2" = 1'-0"

Note: Use Angle if Depth is More than 12", Use Channel if Depth is Less than 12".

- GENERAL NOTES**
- Where bolted connections are shown, connections shall be made with a minimum of 2 5/8" stainless steel bolts.
 - Handrails are generally omitted from these details for purposes of clarity.
 - Tread width noted in schedule is exclusive of nosing.
 - All items listed are made of the material indicated in the column headed Stair Material, unless noted otherwise.
 - All grating treads to have abrasive surface.
 - All welds to be 3/16" unless noted otherwise.

STAIR SCHEDULE		1	2	3	4	5	6	7	8A&B	9	10	11	12 A&B	13 A&B	15	16	17	18	19	
Stair No.		1	2	3	4	5	6	7	8A&B	9	10	11	12 A&B	13 A&B	15	16	17	18	19	
No. of Flights		1	2	1	6	2	1	3	1	2	1	2	1	1	2	2	2	2	1	
Tread Width & No.		2' @ 1'-0"	18" @ 10"	2' @ 1'-0"	57" @ 10"	18" @ 10"	8' @ 11"	27" @ 10"	7' @ 10"	18" @ 10"	4' @ 10"	22" @ 10"	2' @ 1'-0"	2' @ 1'-0"	18" @ 10"	24" @ 10"	18" @ 10"	18" @ 10"	2' @ 1'-0"	
Tread Type		Conc./Resilient Tile	Conc./Resilient Tile	Conc./Resilient Tile	Conc./Resilient Tile	Quarry Tile	Alum. Grating	Alum. Grating	Alum. Grating	Alum. Grating	Concrete	Alum. Grating	Alum. Grating	Alum. Grating	Alum. Grating	Alum. Grating	Alum. Grating	Alum. Grating	Concrete	
Riser Height & No.		3" @ 6"	20" @ 7.6"	3" @ 6"	63" Varias	20" @ 7.6"	9" @ 7.11"	30" @ 7.2"	8" @ 7.5"	20" @ 7.5"	5" @ 7.2"	24" @ 8.42"	3" @ 6"	3" @ 6"	Open	Open	Open	Open	Closed	
Riser Type		Closed	Closed	Closed	Closed	Closed	Open	Open	Open	Open	Closed	Open	Open	Open	Open	Open	Open	Open	Open	
Stair Material		Concrete	Steel	Concrete	Steel	Aluminum	Aluminum	Aluminum	Aluminum	Aluminum	Concrete	Aluminum	Aluminum	Aluminum	Aluminum	Aluminum	Aluminum	Aluminum	Concrete	
Applicable Details		4-A-24	2-A-25, 7-A-25, 12-13	4-A-24	Sheet A-25 Details 2, 4, 5, 7, 12 sections 3, 6	See Sheet A-26	1, 3, 6, 1-A-27	1, 3, 6, 7, 8; 3-A-27	1, 3, 6; 3-A-24	1, 3, 6, 7, 8; 4-A-27	6; 5-A-27	2, 3, 4, 7, 8; 2-A-27	1, 3, 6; 2-A-24	1, 3, 6; 6-A-27	1, 3, 4, 6, 7, 8; Plan-A-B	2, 3, 4, 7, 8, 13; Plan-A-B	2, 3, 6, 7, 8, 13; Plan-A-B	3, 6, 7, 8, 10, 11; Plan-A-B		
Required Minimum Sizes For Structural Elements By Detail Item Numbers		Item 1	Item 2	Item 3	Item 4	Item 5	Item 6	Item 7	Item 8	Item 9	Item 10	Item 11	Item 12	Item 13	Item 14	Item 15	Item 16	Item 17	Item 18	Item 19
			C12 @ 20.0		C12 @ 20.7		C12 x 7.41	C12 x 7.41	C12 x 7.41	C12 x 7.41		C12 x 7.41	C12 x 7.41	C12 x 7.41	C12 x 7.41	C12 x 7.41	C12 x 7.41	C12 x 7.41	C12 x 7.41	
			12 Ga. Stl. Pan		12 Ga. Stl. Pan		PL 1/4" x 4" x 3'-6"	PL 1/4" x 4" x 3'-6"	PL 1/4" x 4" x 3'-6"	PL 1/4" x 4" x 3'-6"		PL 1/4" x 4" x 2'-10 1/2"	PL 1/4" x 4" x 3'-6"	PL 1/4" x 4" x 4'-0"	PL 1/4" x 4" x 3'-6"	PL 1/4" x 4" x 3'-6"	PL 1/4" x 4" x 3'-6"	PL 1/4" x 4" x 3'-6"	PL 1/4" x 4" x 3'-6"	
							3" x 3" x 1/4"	3" x 3" x 1/4"	3" x 3" x 1/4"	3" x 3" x 1/4"		3" x 3" x 1/4"	3" x 3" x 1/4"	3" x 3" x 1/4"	3" x 3" x 1/4"	3" x 3" x 1/4"	3" x 3" x 1/4"	3" x 3" x 1/4"	3" x 3" x 1/4"	
							3" x 2" x 3/8" x 0'-6"	3" x 2" x 3/8" x 0'-6"	3" x 2" x 3/8" x 0'-6"	3" x 2" x 3/8" x 0'-6"		3" x 2" x 3/8" x 0'-6"	3" x 2" x 3/8" x 0'-6"	3" x 2" x 3/8" x 0'-6"	3" x 2" x 3/8" x 0'-6"	3" x 2" x 3/8" x 0'-6"	3" x 2" x 3/8" x 0'-6"	3" x 2" x 3/8" x 0'-6"	3" x 2" x 3/8" x 0'-6"	
			3" x 3" x 3/16"		3" x 3" x 3/16"		3" x 3" x 3/16"	3" x 3" x 3/16"	3" x 3" x 3/16"	3" x 3" x 3/16"		3" x 3" x 3/16"	3" x 3" x 3/16"	3" x 3" x 3/16"	3" x 3" x 3/16"	3" x 3" x 3/16"	3" x 3" x 3/16"	3" x 3" x 3/16"	3" x 3" x 3/16"	
												C8 x 4.25								
							PL 1/4" x 6"	PL 1/4" x 6"	PL 1/4" x 6"	PL 1/4" x 6"	PL 1/4" x 6"	PL 1/4" x 6"	PL 1/4" x 6"	PL 1/4" x 6"	PL 1/4" x 6"	PL 1/4" x 6"	PL 1/4" x 6"	PL 1/4" x 6"	PL 1/4" x 6"	
															* 4" @ 1/8"	4" @ 1/8"	4" @ 1/8"	4" @ 1/8"	* 4" @ 1/8"	
			3" x 3" x 1/4"									3" x 3" x 1/4"			3" x 3" x 1/4"				3" x 3" x 1/4"	
							1 1/4" x 1 1/4" x 1/8"	1 1/4" x 1 1/4" x 1/8"												
							1/4" Cont. Plate	1/4" Cont. Plate												
Tread Length		4'-0"	3'-5 1/2"	4'-0"	3'-9"	Varias	3'-0"	3'-0"	3'-0"	3'-0"	5'-2"	2'-4 1/2"	3'-0"	3'-6"	3'-0"	3'-0"	3'-0"	3'-0"	10'-0"	
Remarks					Plaster soffit			* Steel Tubes used to suspend platform from beam above		* 1 Post in each corner of landing	Abrasive Nosing cast in treads				* 1 Post in each corner of landing	* Details similar to 12 & 13 except with Abrasive Alum. Grating in place of Conc. Filled Pans	* Details similar to 12 & 13 except with Abrasive Alum. Grating in place of Conc. Filled Pans	* 1 Post in each corner of landing	Abrasive Nosing cast into treads. Provide canterrail. See Det. 9 Pwg. 533	



In charge of *[Signature]*
Designed by *[Signature]* Checked by *[Signature]*
Made by *[Signature]*

NO.	DATE	REVISION	INIT.
2	2/14/78	General Revisions	[Signature]
1	5/4/77	General Revisions	[Signature]

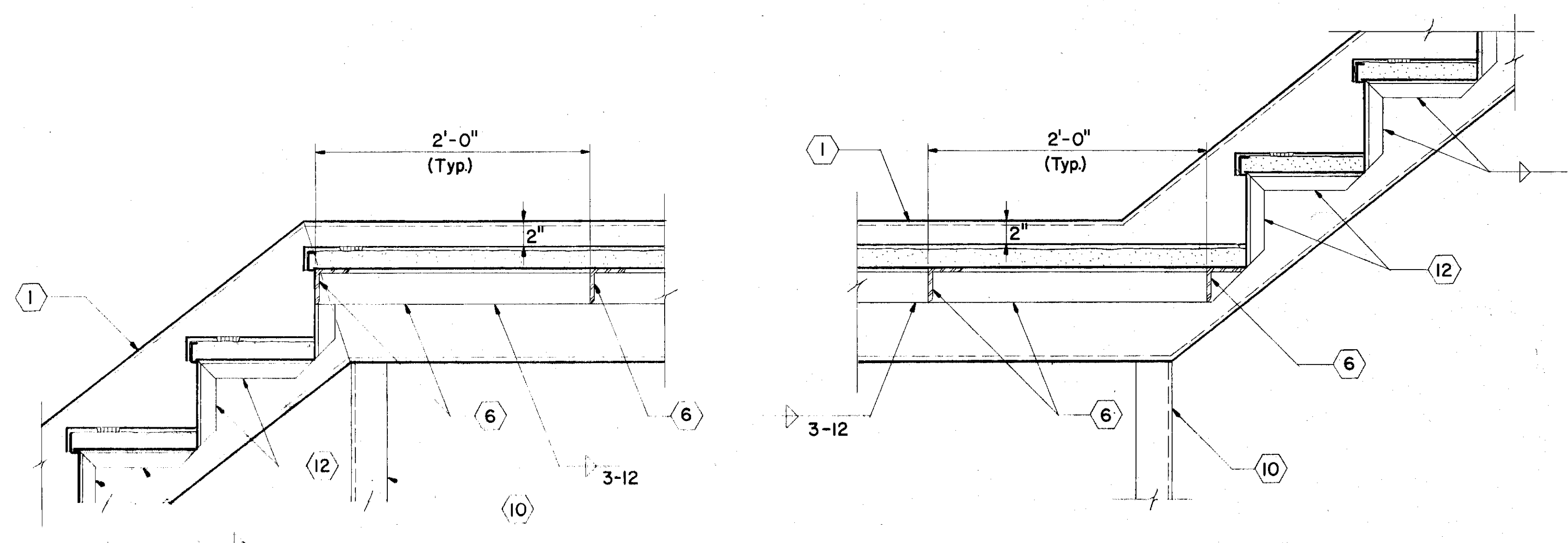


CLAY - SANITARY DISTRICT
OAK ORCHARD SERVICE AREA
OAK ORCHARD WATER POLLUTION CONTROL PLANT

ARCHITECTURAL
STAIR SCHEDULE & DETAILS

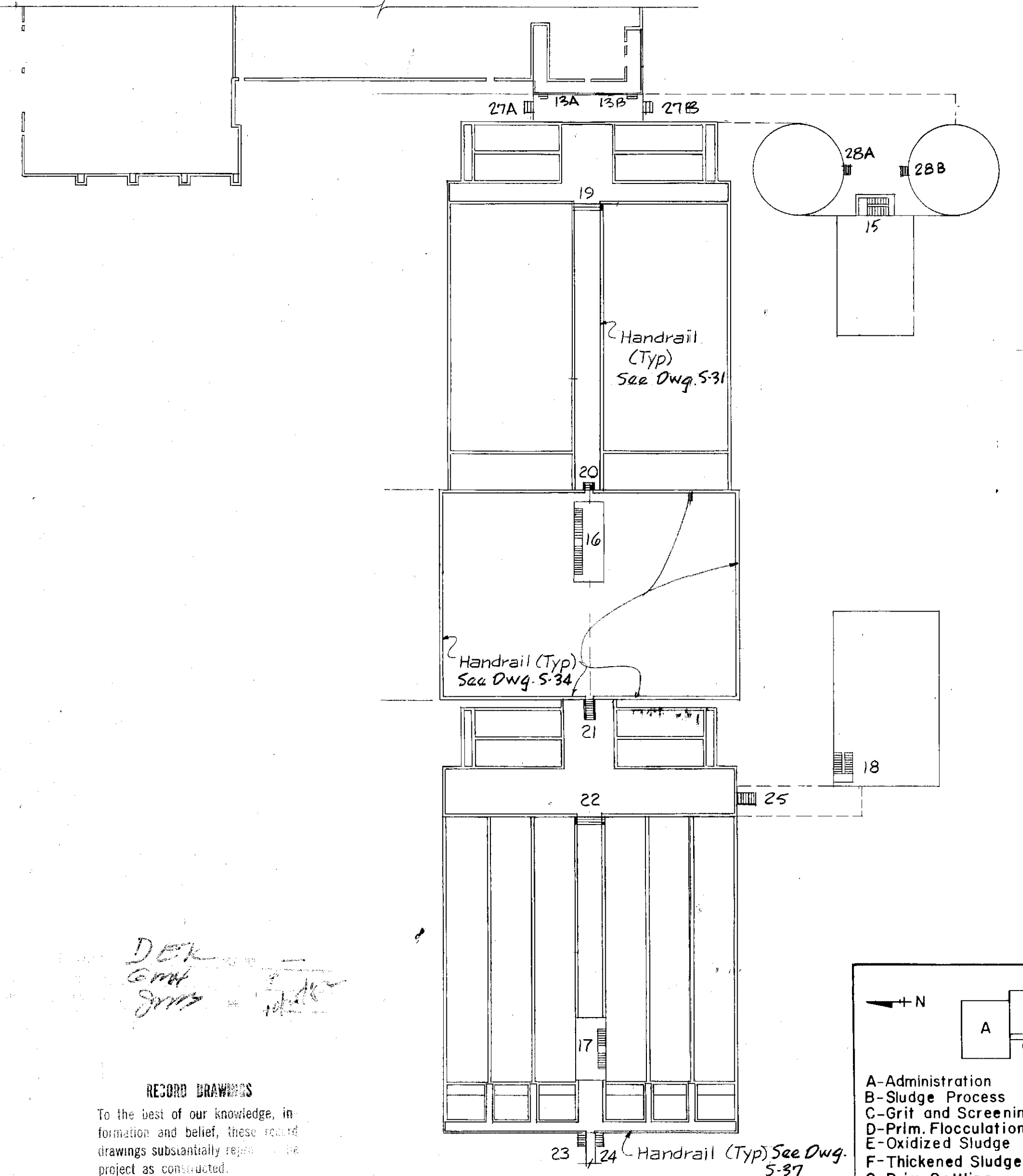
FILE NO.
115.219.082F
DATE
JULY 1, 1975
A-22

AB



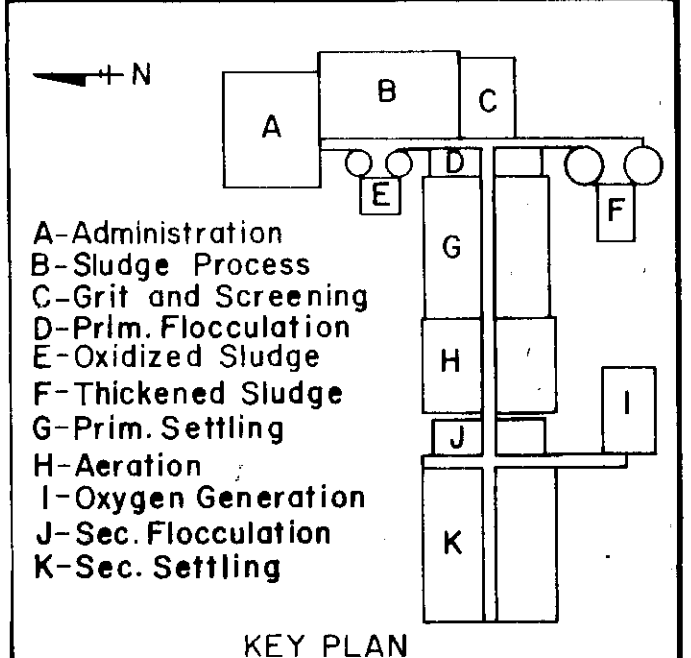
TYPICAL DETAIL 12
Scale 1-1/2"=1'-0"

TYPICAL DETAIL 13
Scale 1-1/2"=1'-0"



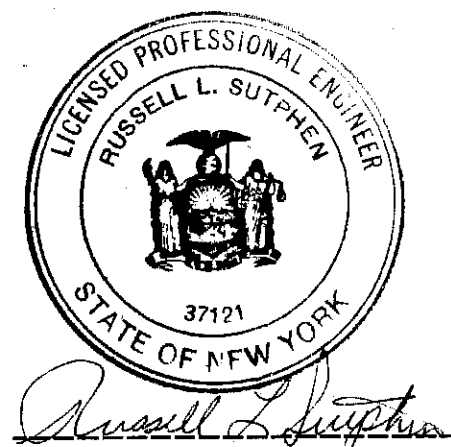
STAIR LOCATION PLAN
Not to scale

RECORD DRAWINGS
To the best of our knowledge, information and belief, these record drawings substantially represent the project as constructed.
O'Brien & Gere
ENGINEERS, INC.
By: *[Signature]*



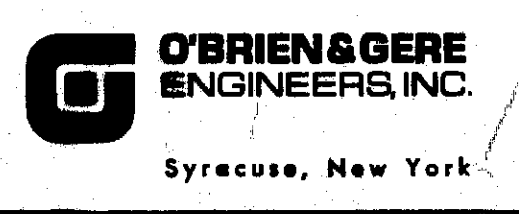
- GENERAL NOTES**
- Where bolted connections are shown, connections shall be made with a minimum of 2-5/8" stainless steel bolts.
 - Handrails are generally omitted from these details for purposes of clarity.
 - Tread width noted in schedule is exclusive of nosing.
 - All items listed are made of the material indicated in the column headed Stair Material, unless noted otherwise.
 - All grating treads to have abrasive surface.
 - All welds to be 3/16" unless noted otherwise.

STAIR SCHEDULE		20	21	22	23	24	25	26	27 A & B	28 A & B
Stair No.		20	21	22	23	24	25	26	27 A & B	28 A & B
No. of Flights		1	1	1	1	1	1	2	1	1
Tread Width & No.		4' @ 1'-0"	10' @ 1'-0"	3' @ 1'-0"	5' @ 1'-0"	5' @ 1'-0"	5' @ 10"	10' @ 10"	3' @ 10"	3' @ 1'-0"
Tread Type		Alum. Grating	Alum. Grating	Concrete	Alum. Grating	Alum. Grating	Concrete	Alum. Grating	Alum. Grating	Alum. Grating
Riser Height & No.		5' @ 6"	11' @ 6"	4' @ 6"	6' @ 6"	6' @ 6"	6' @ 7"	20' @ 7.6"	4' @ 6"	4' @ 6.25"
Riser Type		Open	Open	Closed	Open	Open	Closed	Open	Open	Open
Stair Material		Aluminum	Aluminum	Concrete	Aluminum	Aluminum	Concrete	Aluminum	Aluminum	Aluminum
Applicable Details		1, 3	1, 3		1, 3	1, 3		2, 3, 10, 12, 13	2, 3	1, 3
Required Minimum Sizes For Structural Elements By Detail Item Numbers	Item 1	C12x7.41	C12x7.41		C12x7.41	C12x7.41		C12x7.41	C12x7.41	C12x7.41
	2	PL 1/2" x 4" x 5'-0"	PL 1/2" x 4" x 5'-0"		PL 1/2" x 4" x 5'-0"	PL 1/2" x 4" x 5'-0"		PL 1/2" x 4" x 3'-6"	PL 1/2" x 4" x 5'-0"	PL 1/2" x 4" x 5'-0"
	3	3" x 3" x 1/4"	3" x 3" x 1/4"		3" x 3" x 1/4"	3" x 3" x 1/4"			3" x 3" x 1/4"	3" x 3" x 1/4"
	4							C8x4.25		
	5	3" x 2" x 3/8" x 0'-6"	3" x 2" x 3/8" x 0'-6"		3" x 2" x 3/8" x 0'-6"	3" x 2" x 3/8" x 0'-6"		3" x 2" x 3/8" x 0'-6"	3" x 2" x 3/8" x 0'-6"	3" x 2" x 3/8" x 0'-6"
	6							3" x 3" x 5/16"		
	7							3" x 3" x 3/8"		
	8									
	9							PL 1/4" x 6"		
	10							3" x 3" x 1/8" □		
	11							3" x 3" x 1/4"		
	12									
	13									
Tread Length		4'-6"	4'-6"	17'-6"	4'-6"	4'-6"	3'-11"	3'-0"	4'-6"	4'-6"
Remarks		See Sheet S-31 & S-33	See Sheet S-40	Abrasive Nosing cast in Treads. Provide Contersill See Det. 4 Dwg S-40	See Sheet S-47	See Sheet S-47	See Sheet S-37 & S-27	Sim. Section (A-24)	See Sheet S-42 # S-43	



In charge of *M. Santalucia*
Designed by *AW* Checked by *AW*
Made by *GPK*

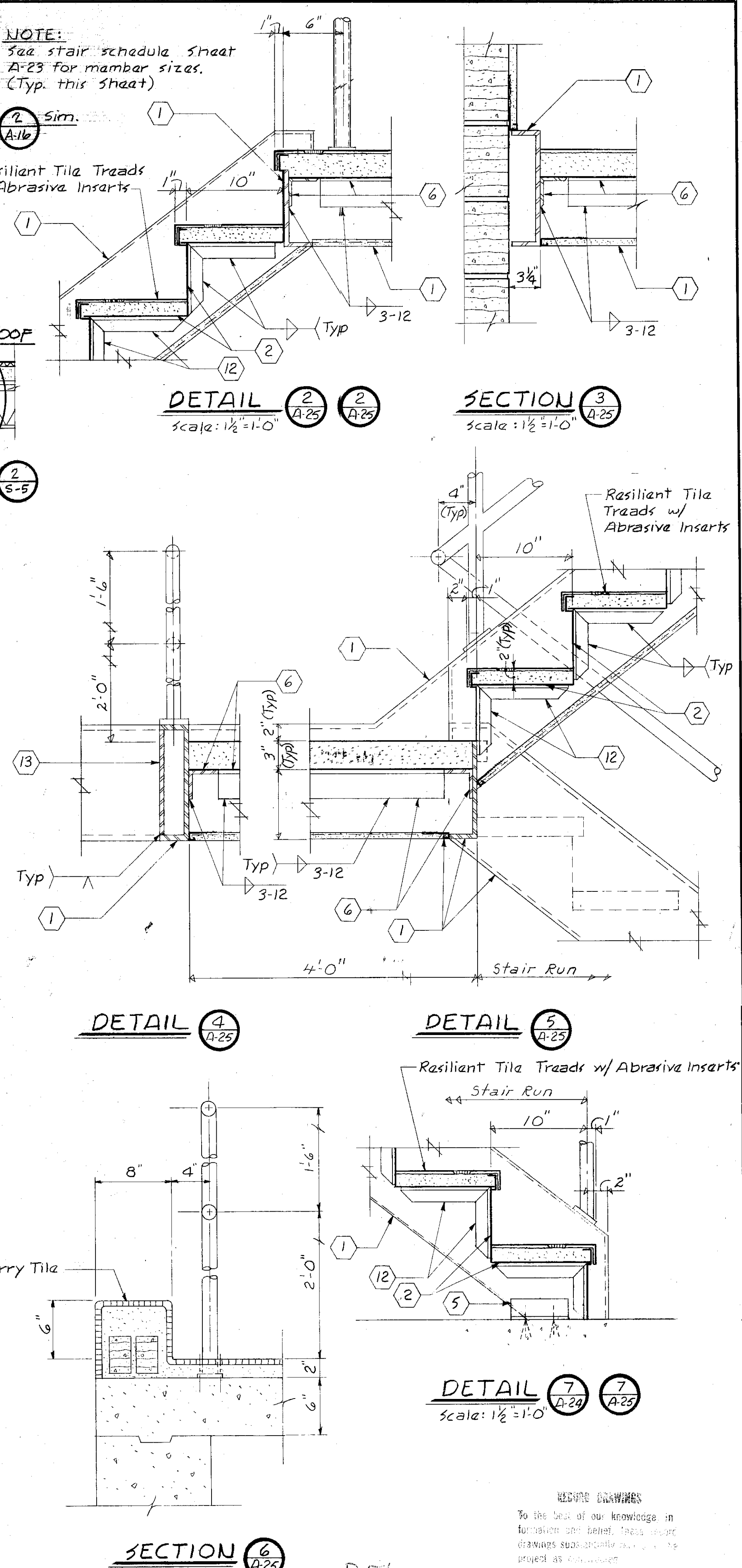
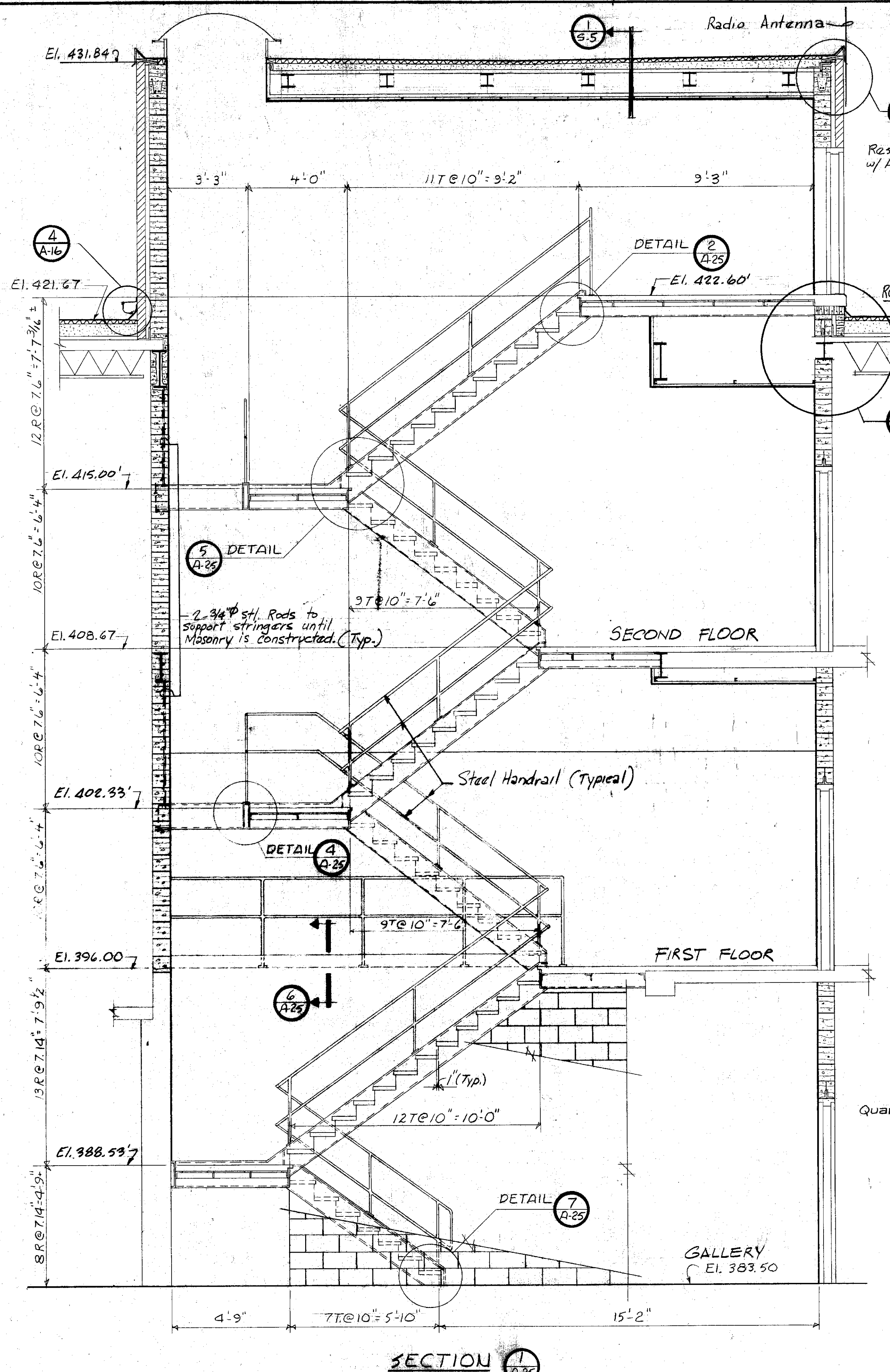
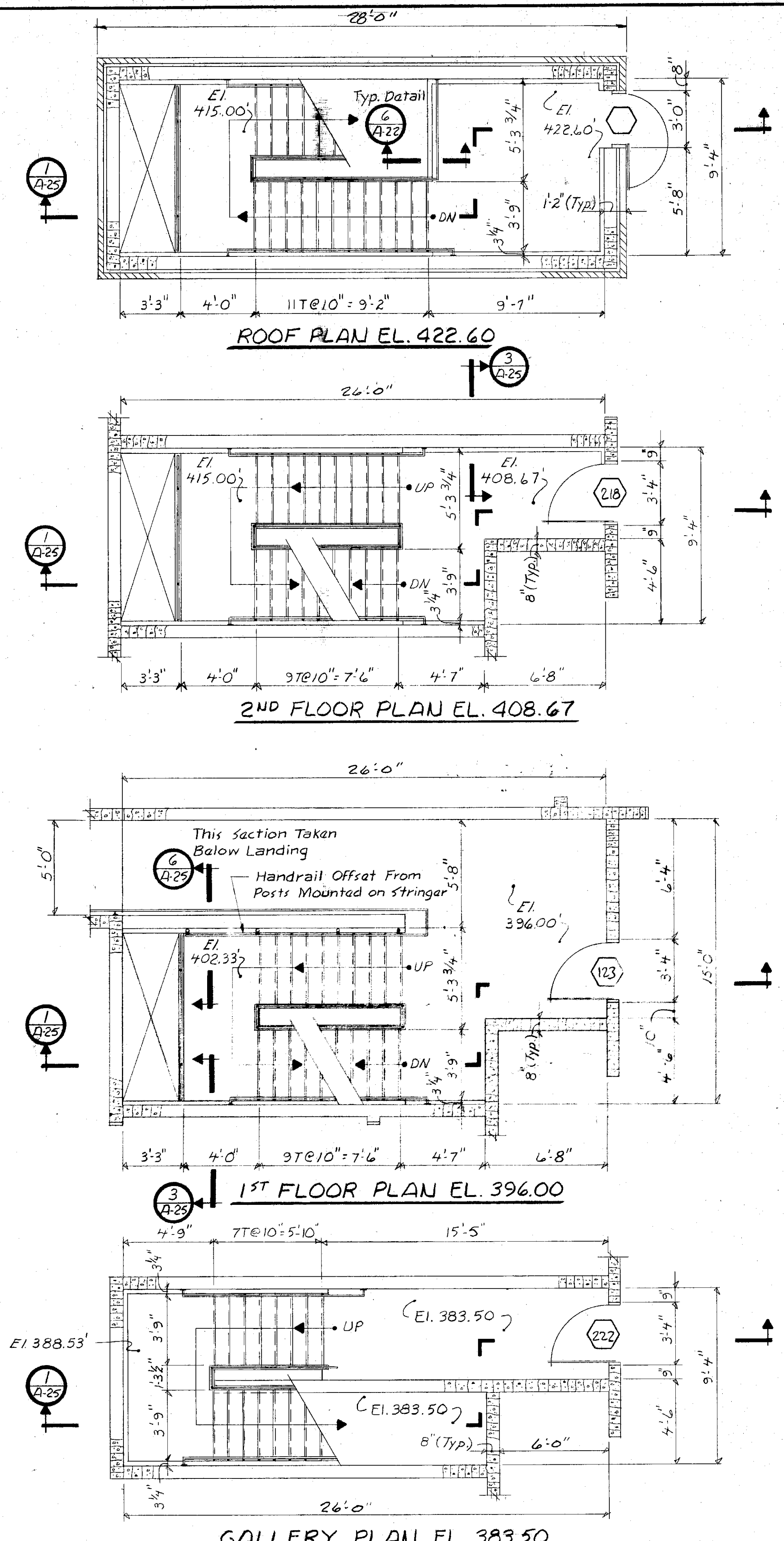
NO.	DATE	REVISION	INIT.
2	2/14/78	General Revisions	<i>[Signature]</i>
1	5/4/77	General Revisions	<i>[Signature]</i>



CLAY SANITARY DISTRICT
OAK ORCHARD SERVICE AREA
OAK ORCHARD WATER POLLUTION CONTROL PLANT

ARCHITECTURAL
STAIR SCHEDULE & DETAILS

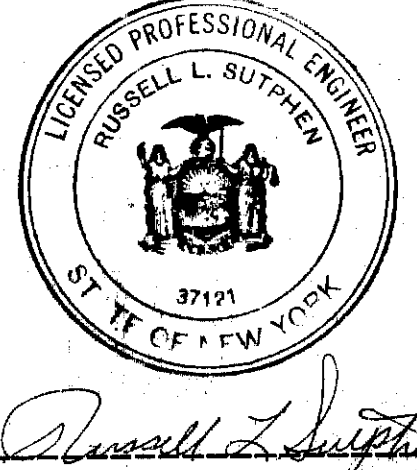
FILE NO. 115.219.083F
DATE JULY 1, 1975
A-23



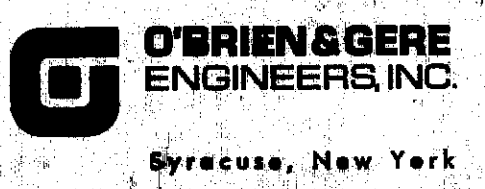
NOTE:
See stair schedule sheet A-23 for member sizes. (Typ. this sheet)

REGISTERED ARCHITECTS
To the best of our knowledge and belief, these drawings were prepared by us or under our direct supervision and in accordance with the professional seal of the State of New York.

DEL
SCOTT
JUN
R. L. SUTHERN
R. L. SUTHERN



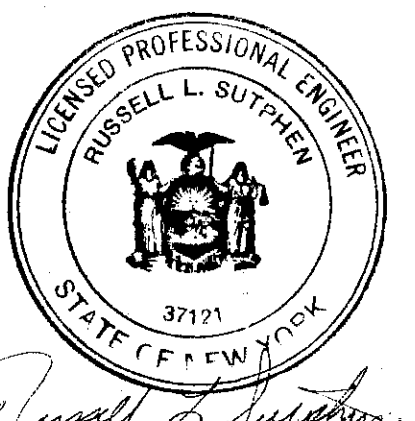
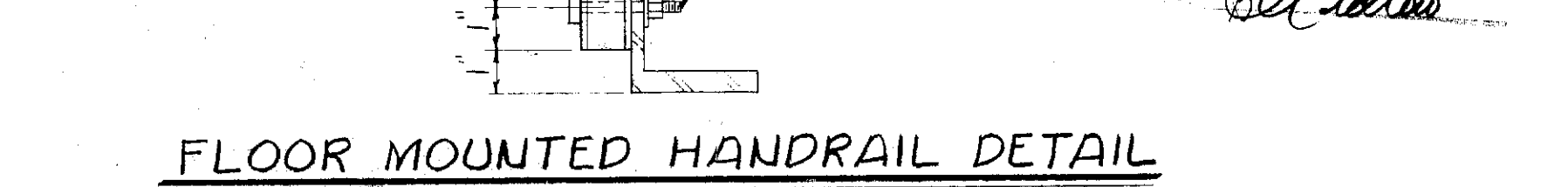
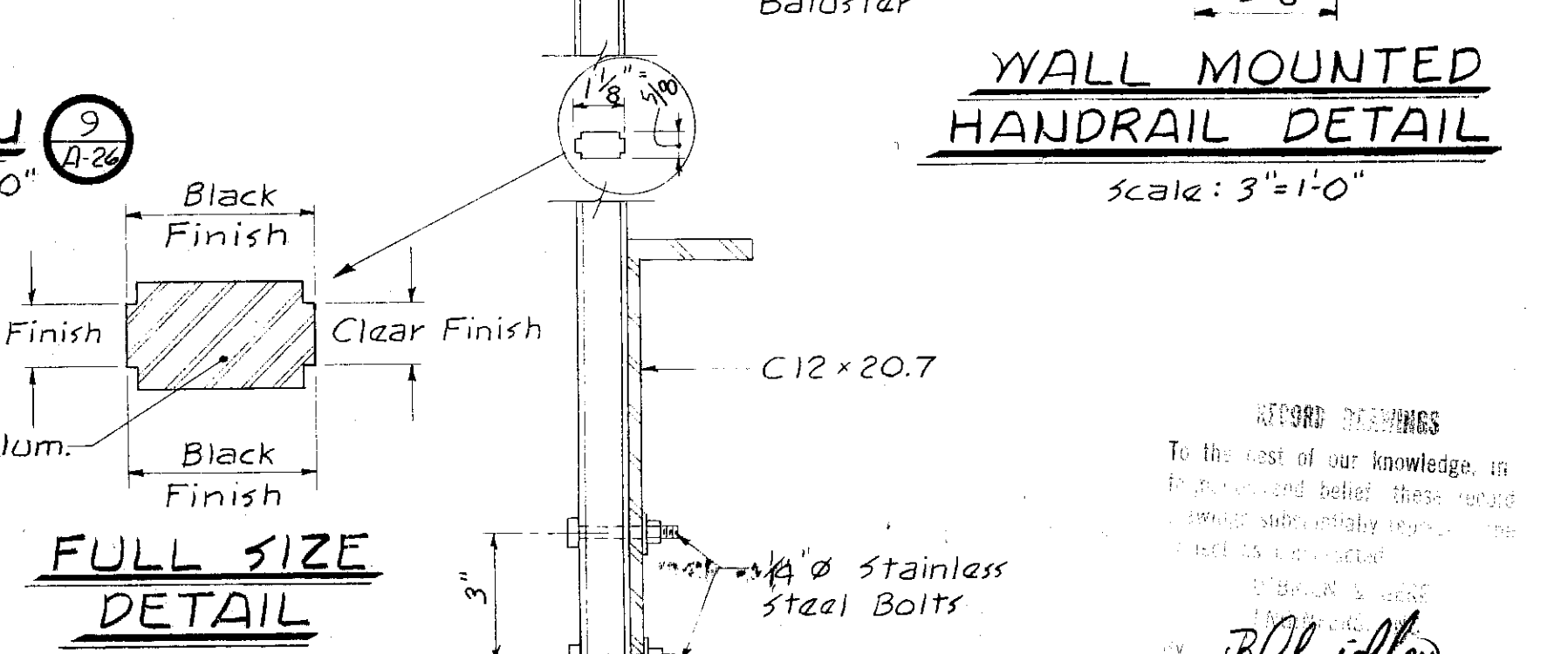
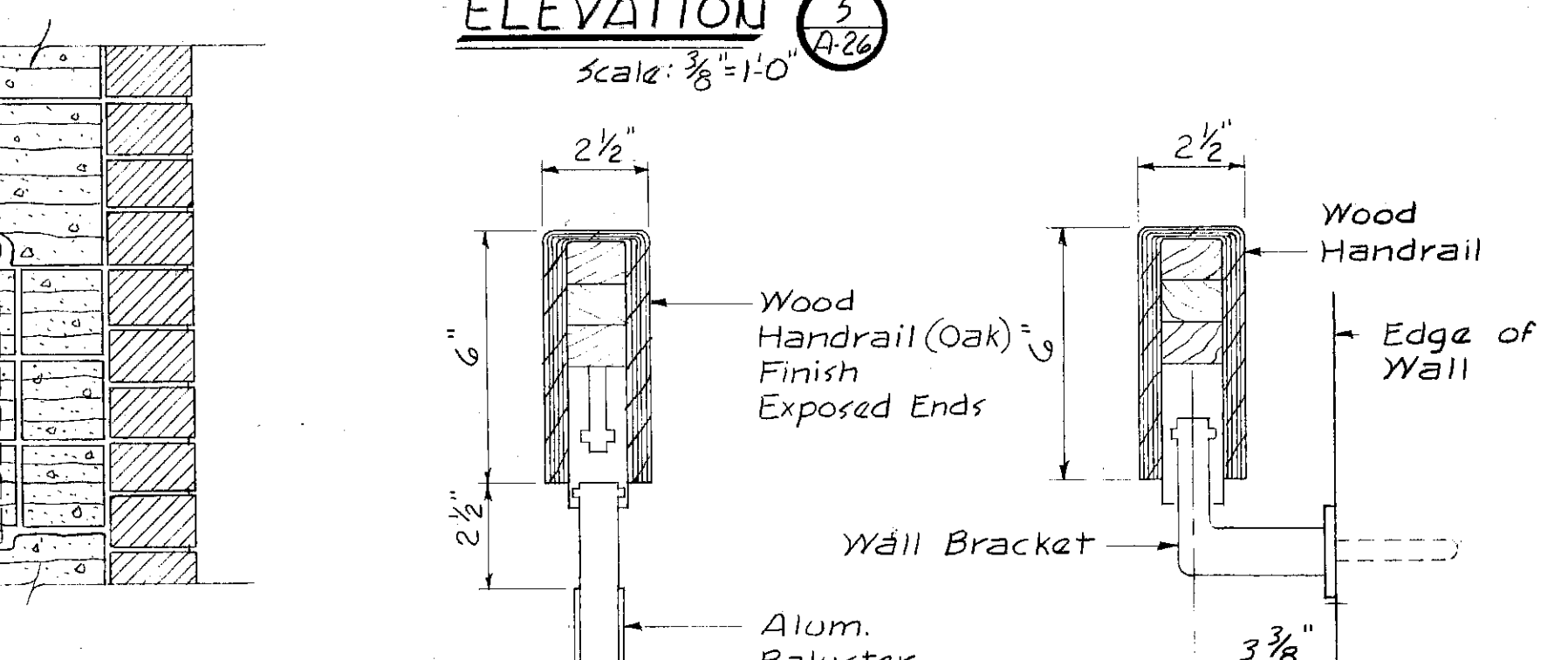
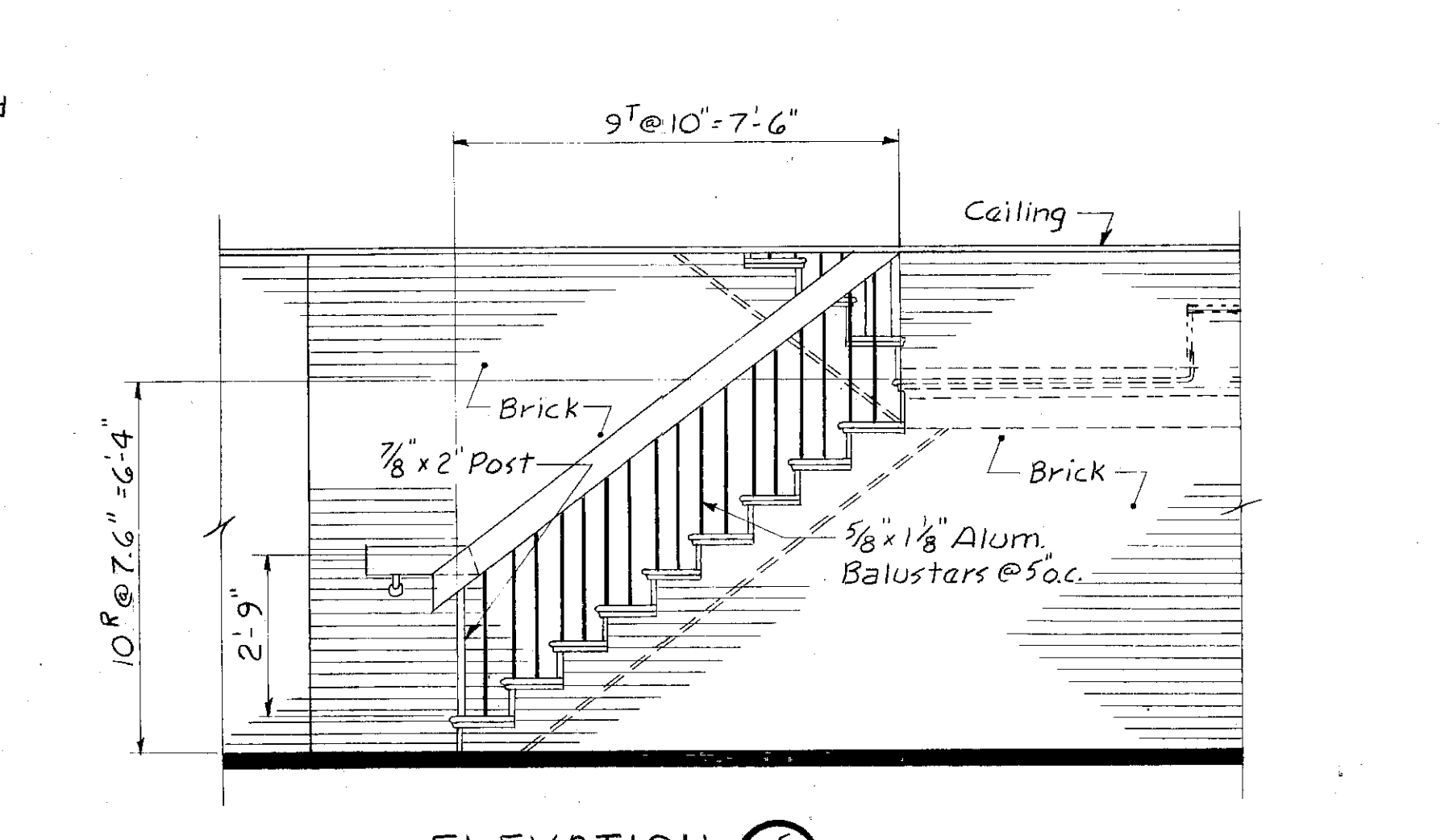
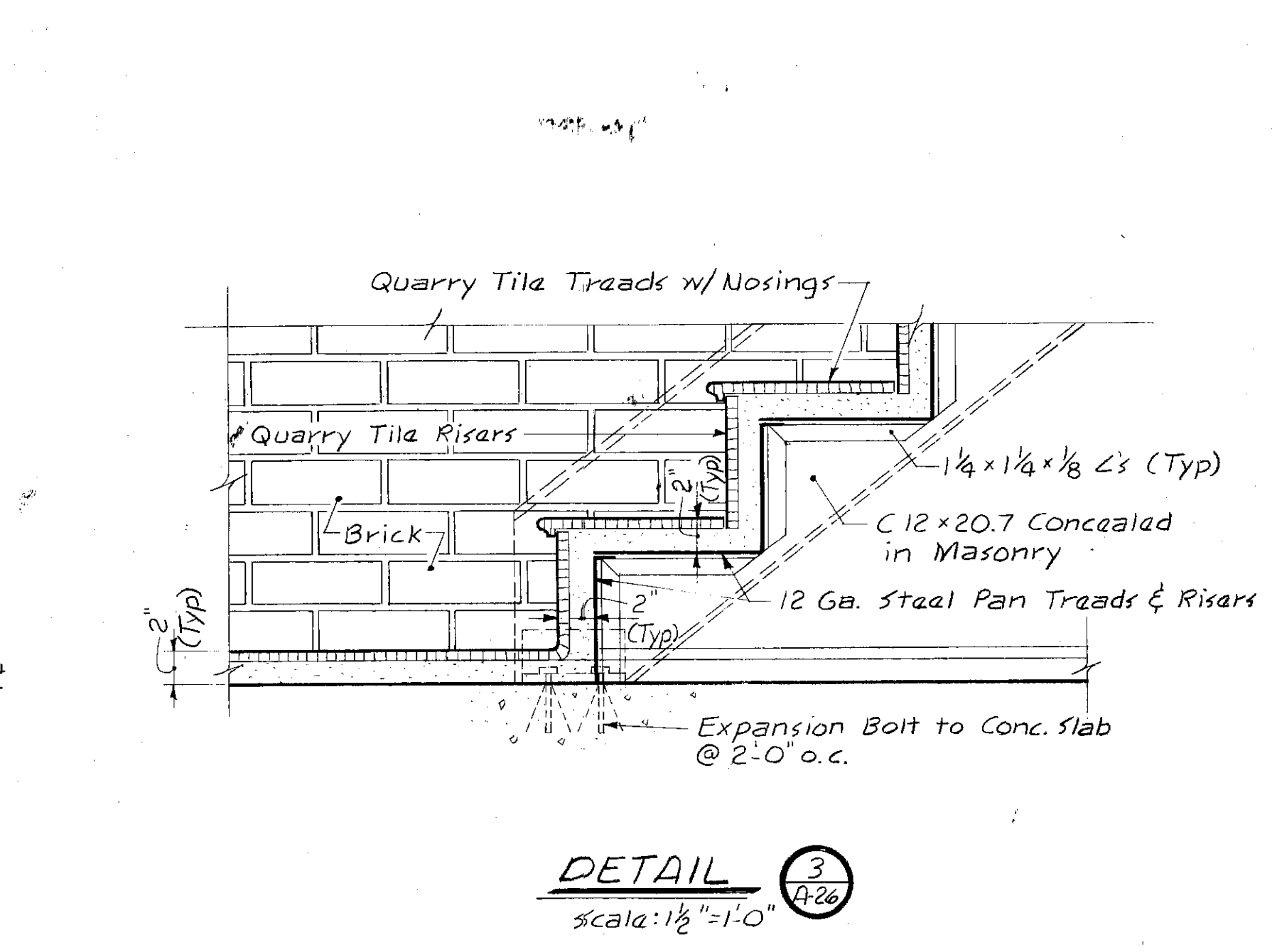
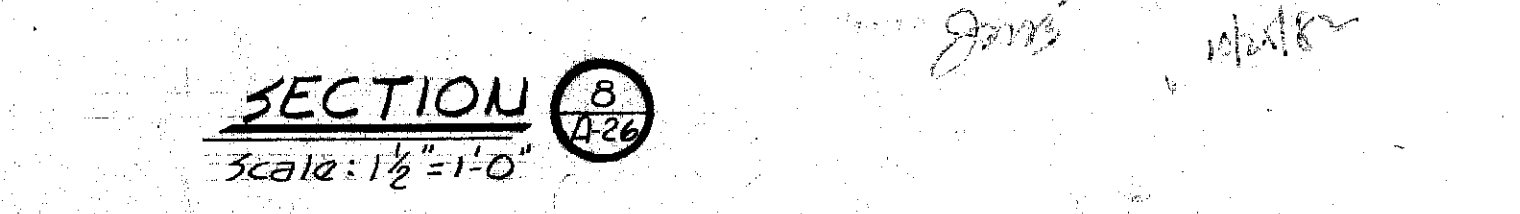
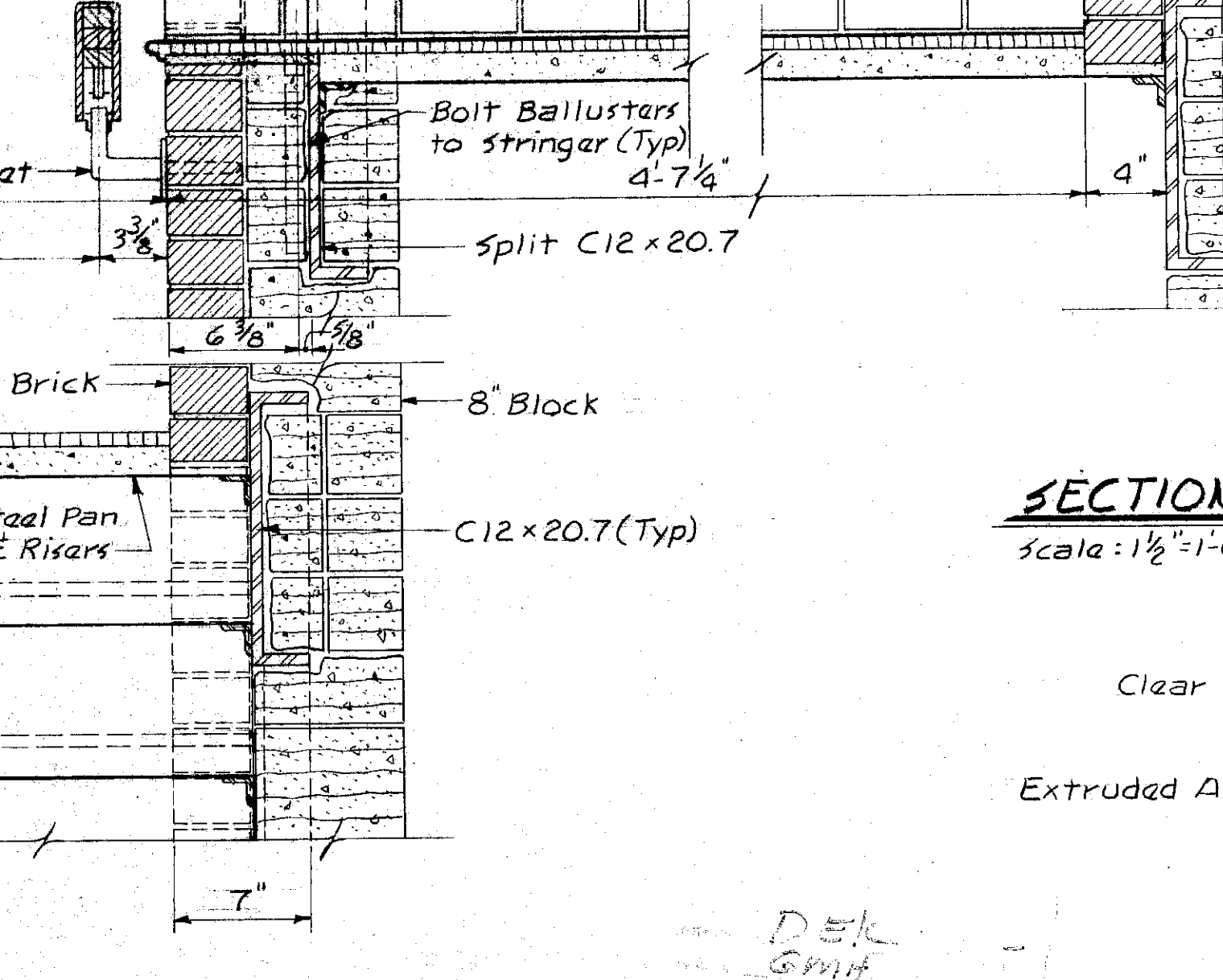
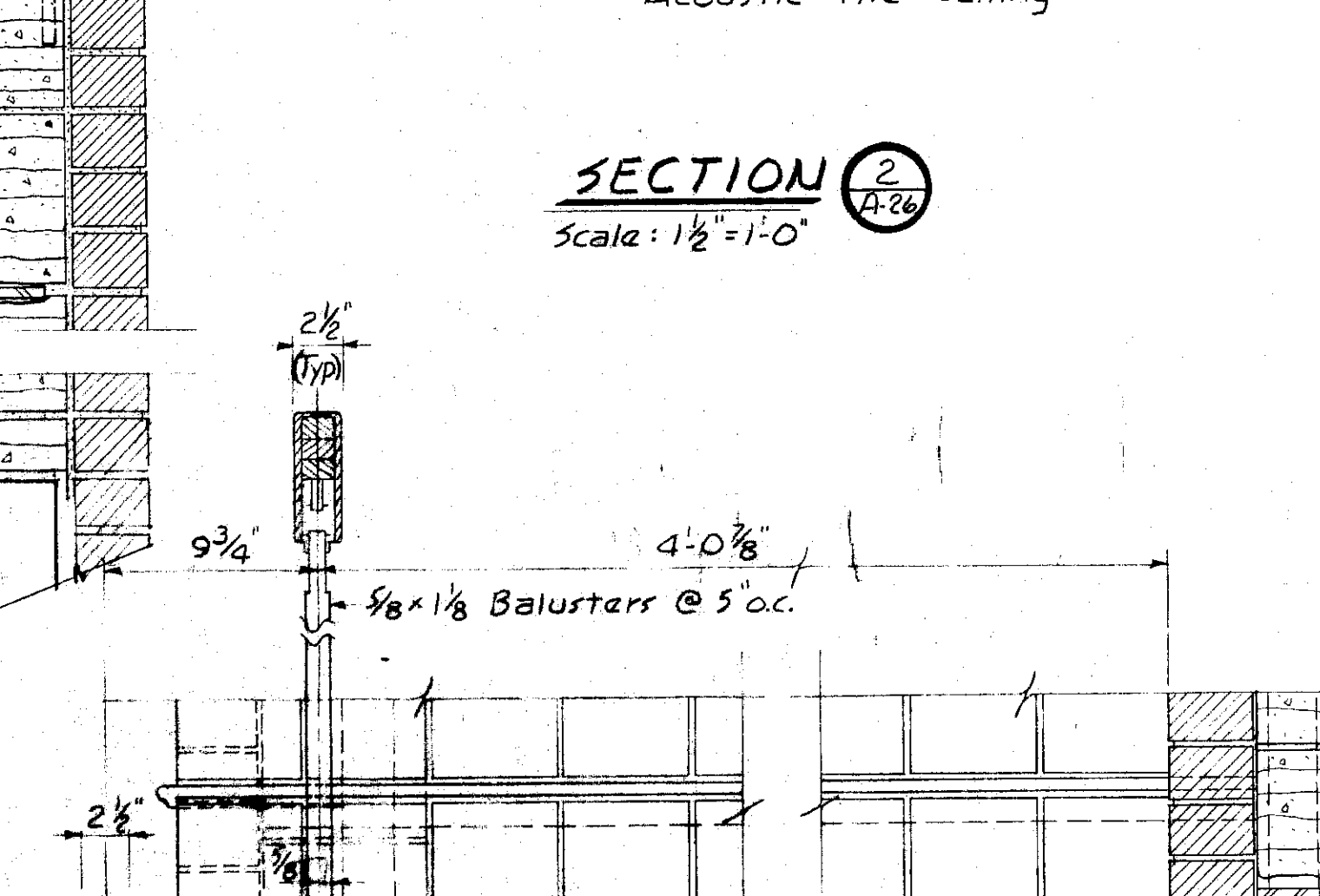
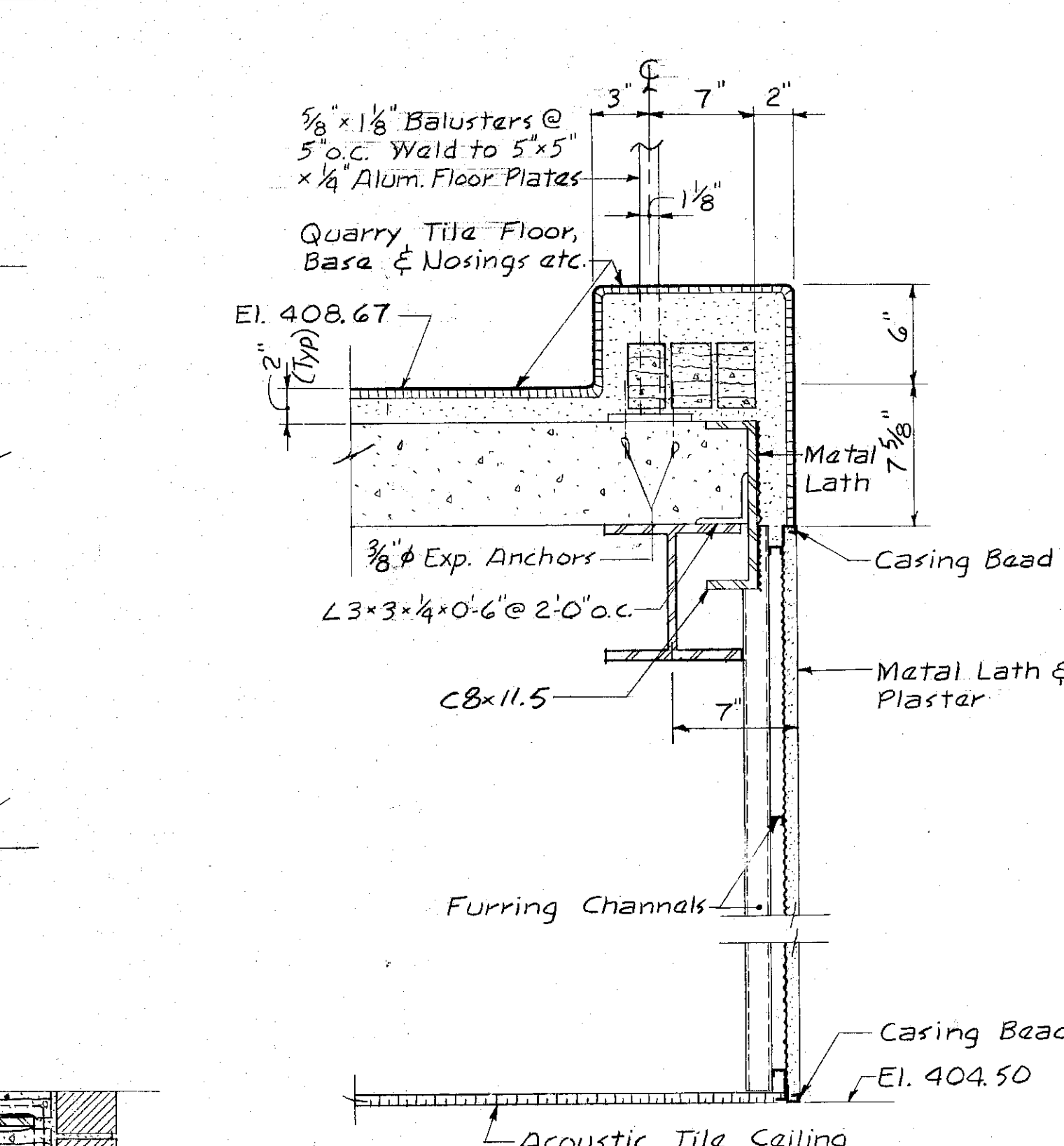
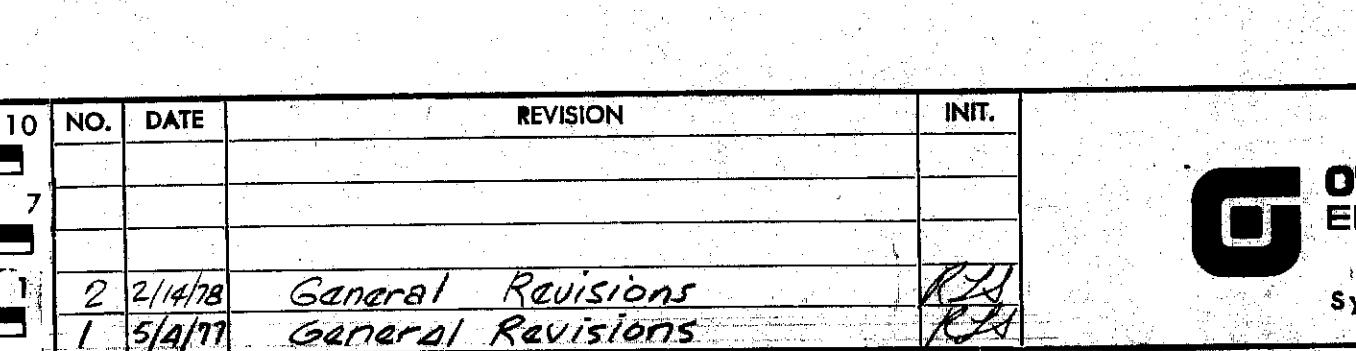
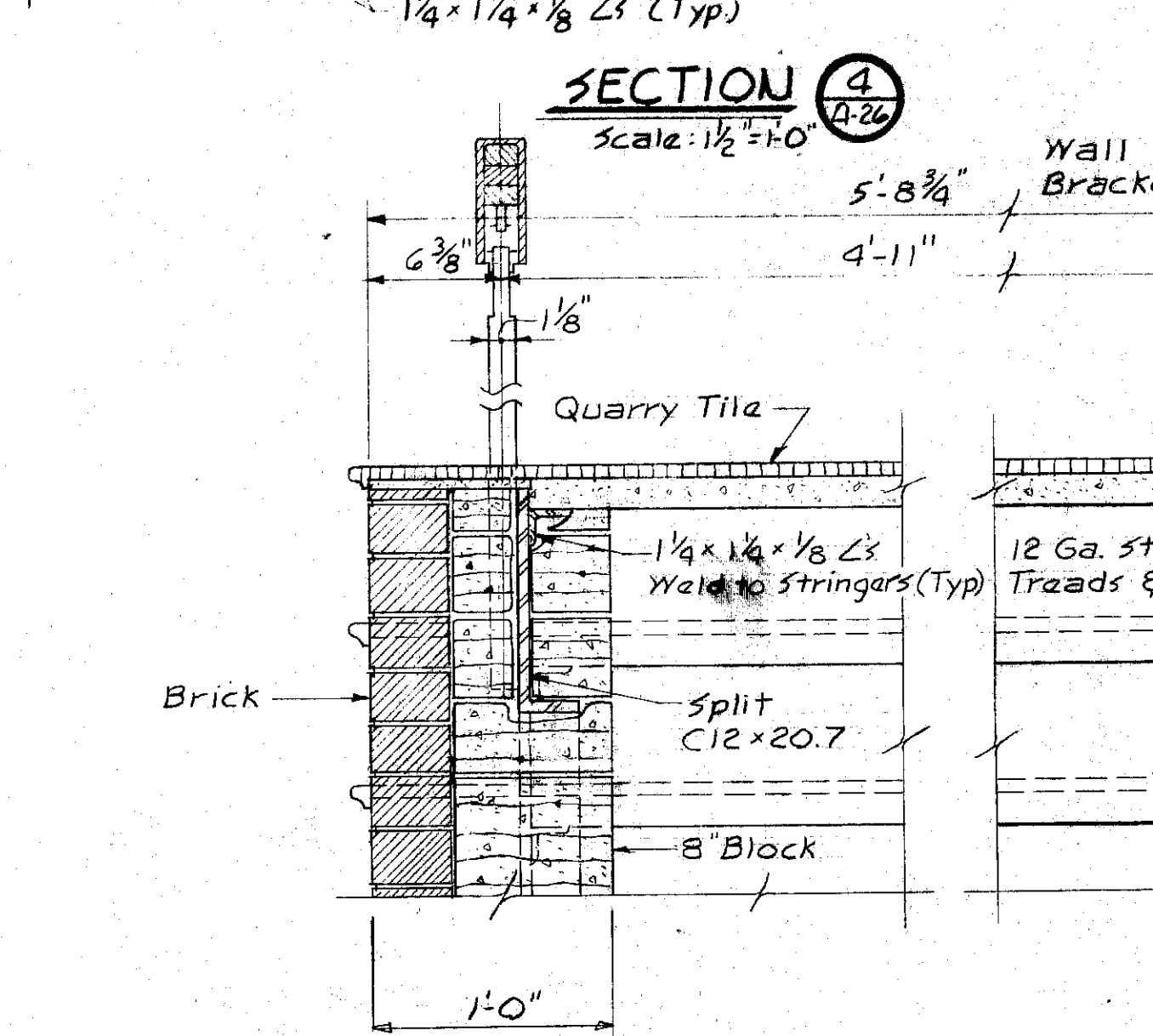
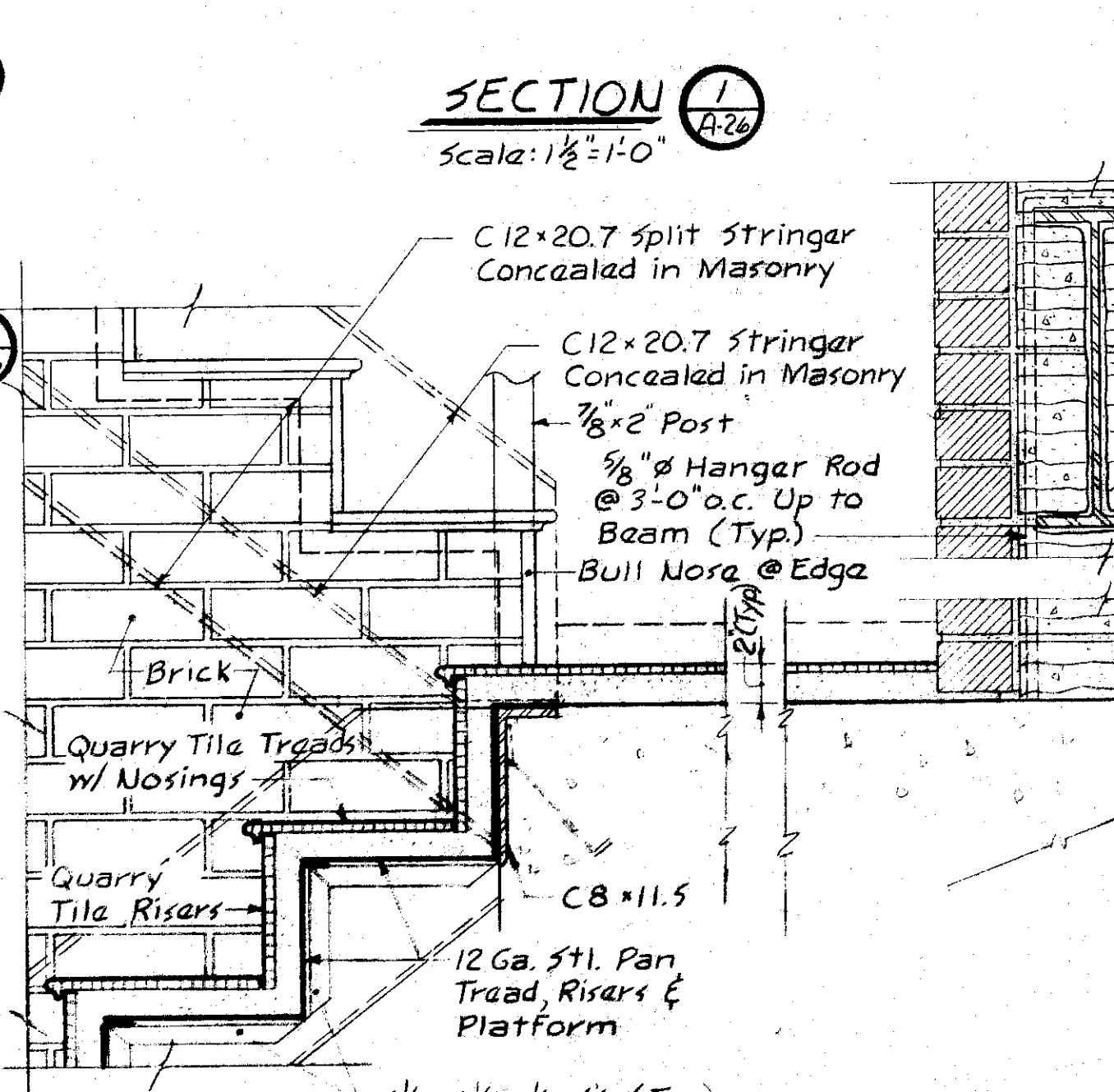
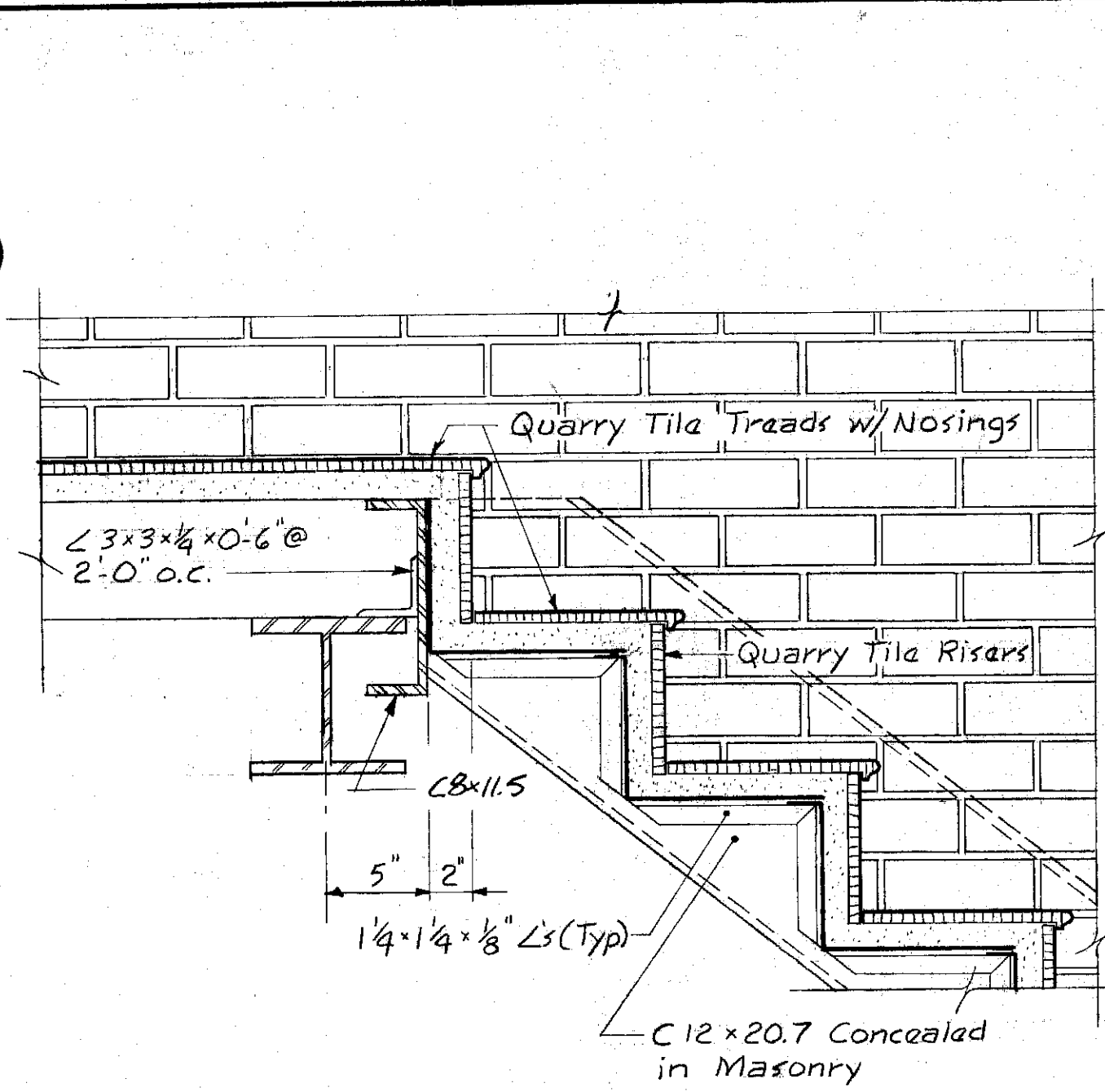
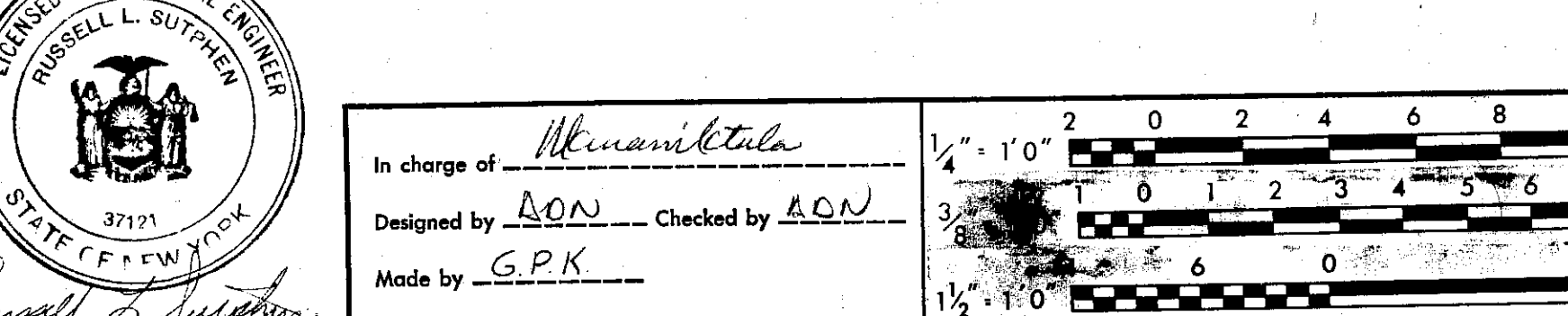
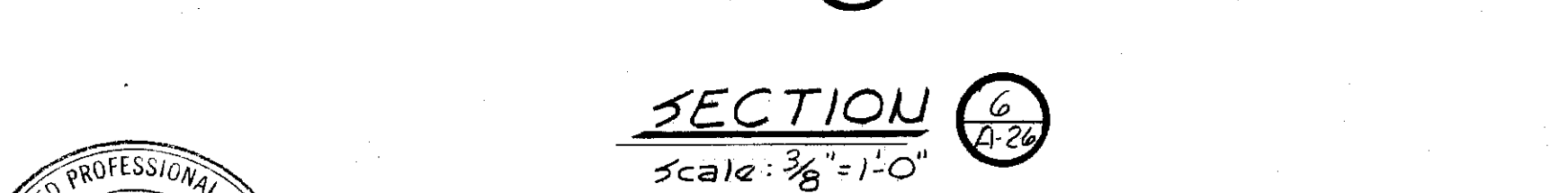
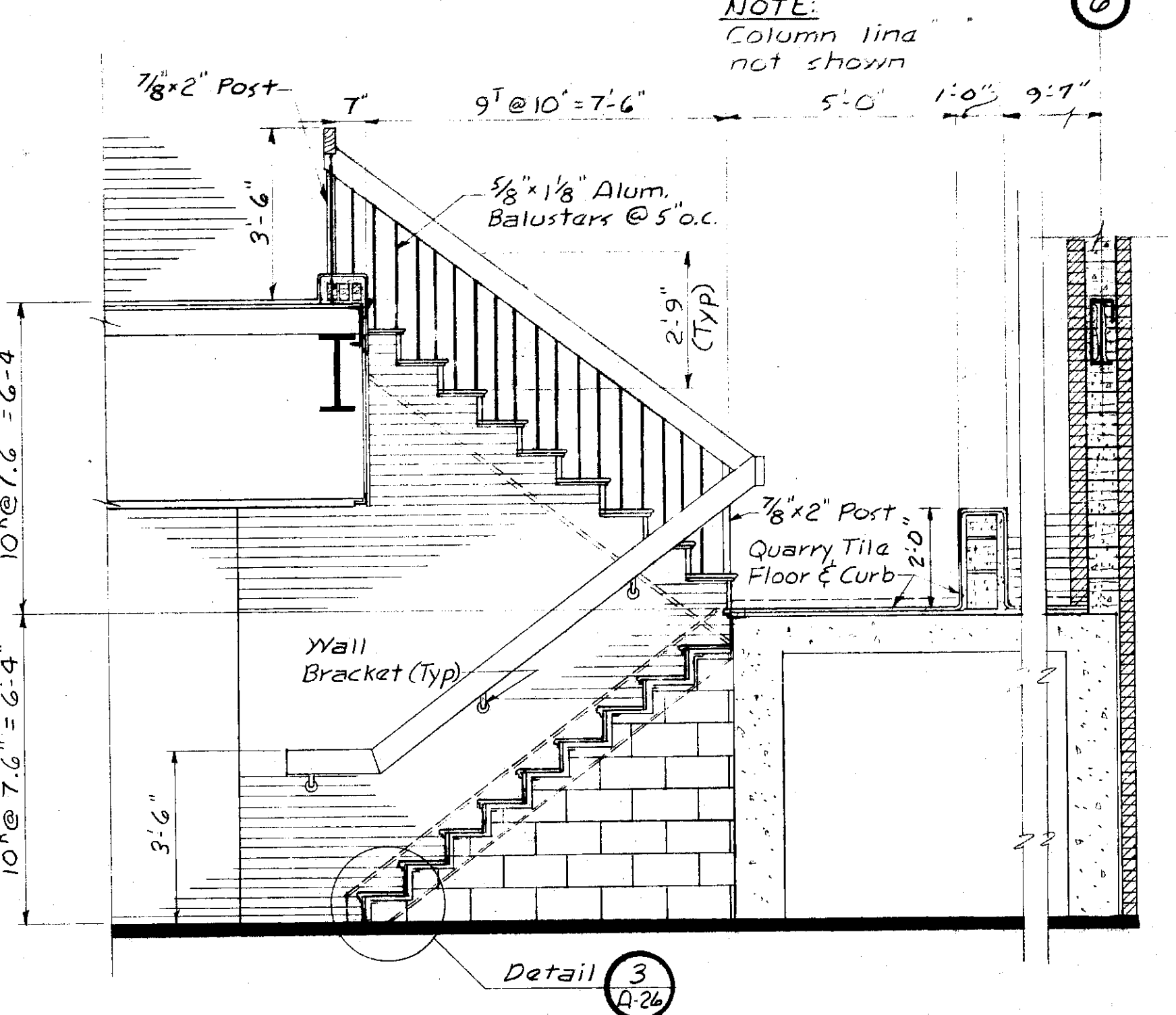
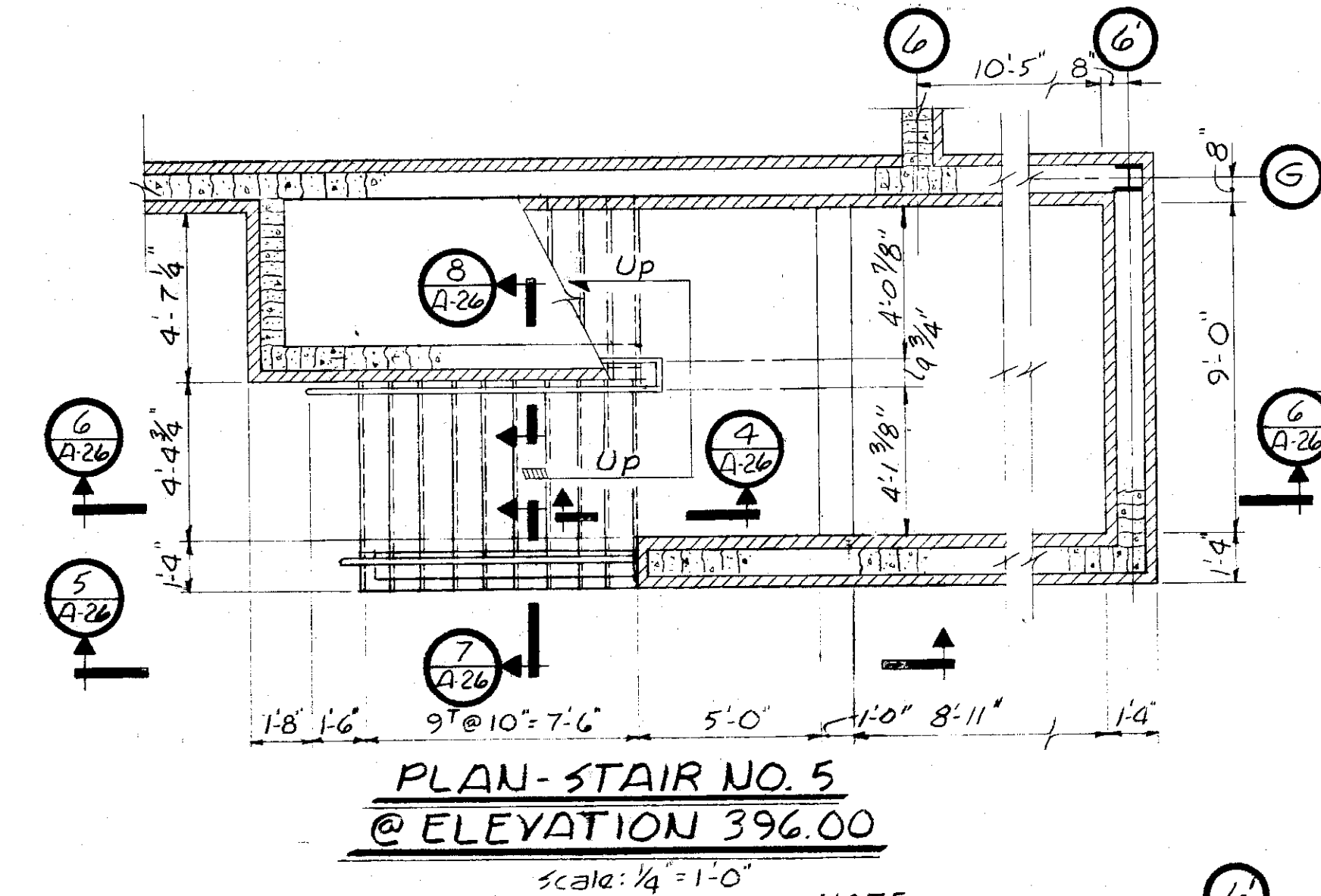
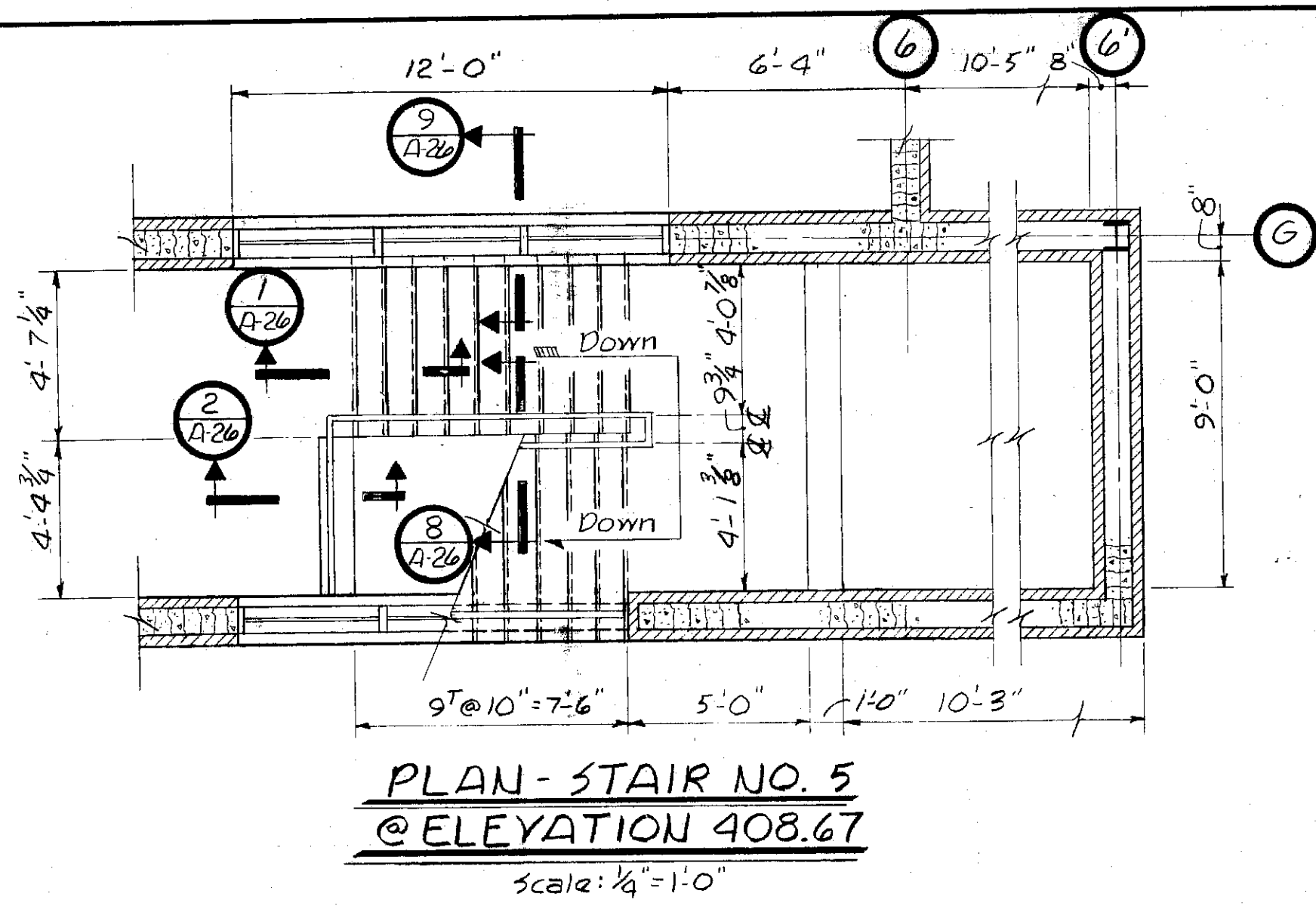
In charge of	W. S. SUTHERN	NO.	2	DATE	2/14/78	REVISION	General Revisions	INT.	
Designed by	SON	NO.	1	DATE	5/4/77	REVISION	General Revisions	INT.	
Checked by	SON								
Made by	R.T.B., S.P.K.								



CLAY SANITARY DISTRICT
OAK ORCHARD SERVICE AREA
OAK ORCHARD WATER POLLUTION CONTROL PLANT

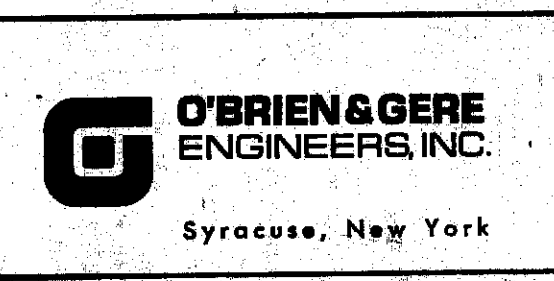
ARCHITECTURAL
STAIR DETAILS

FILE NO.
115.219.085F
DATE
JULY 1, 1975
A-25



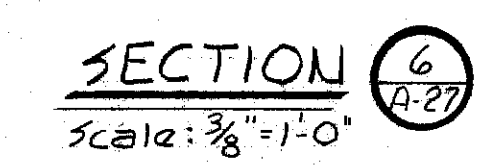
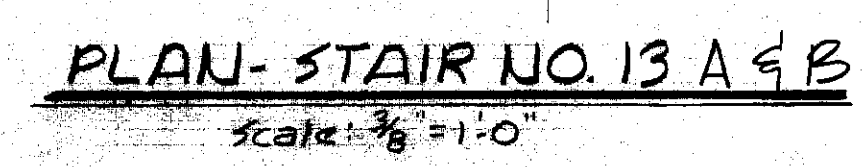
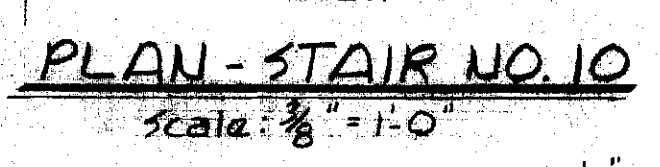
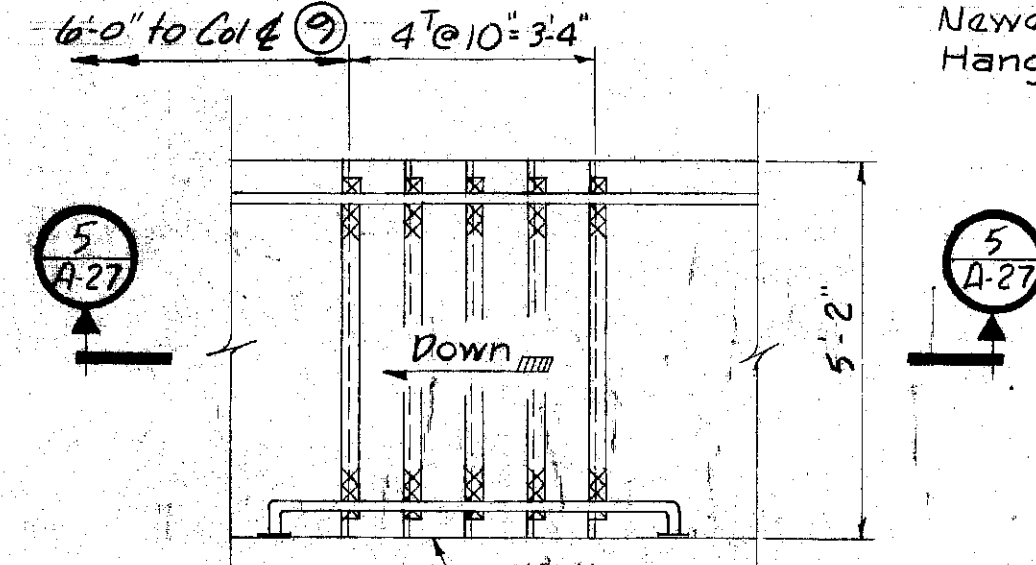
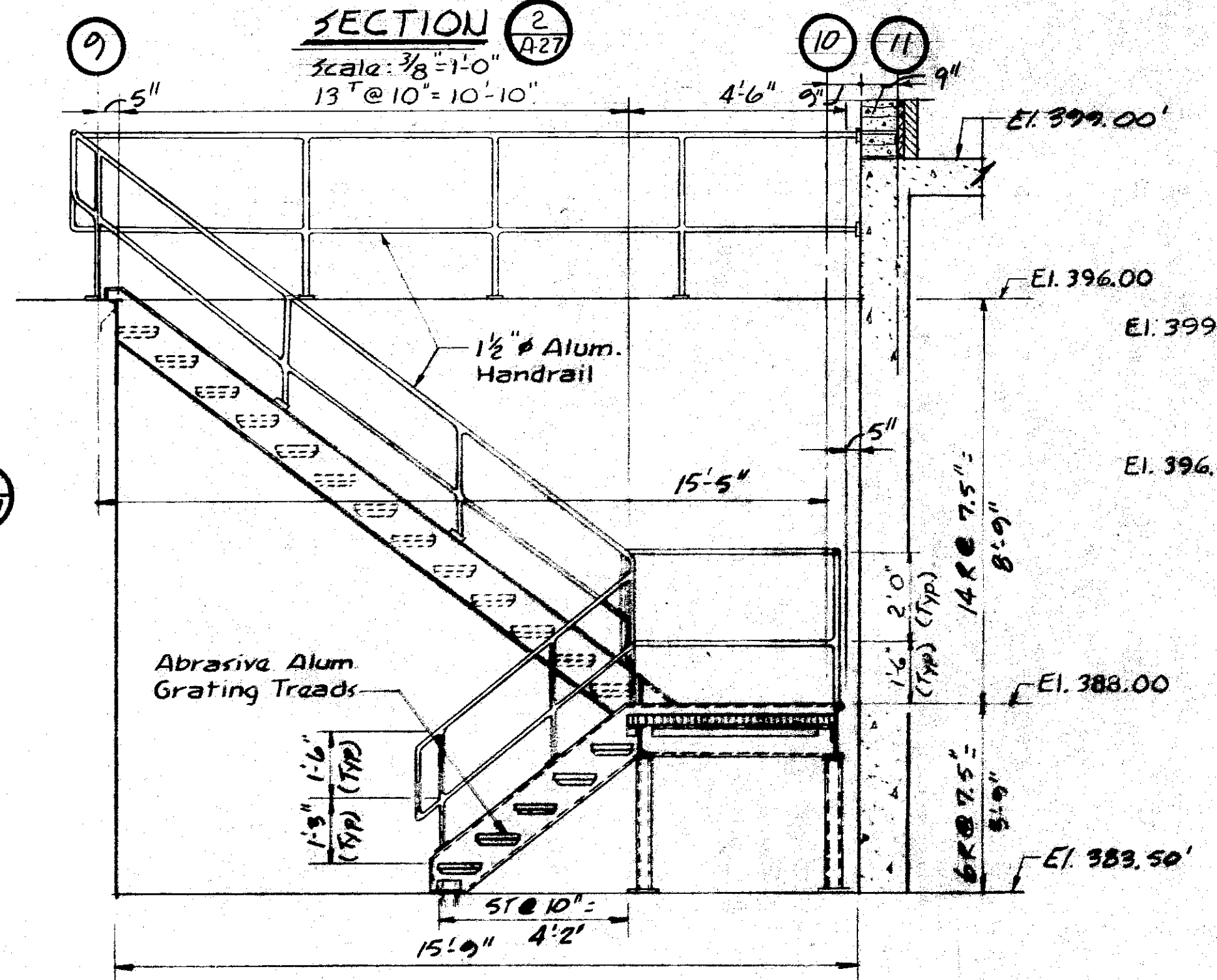
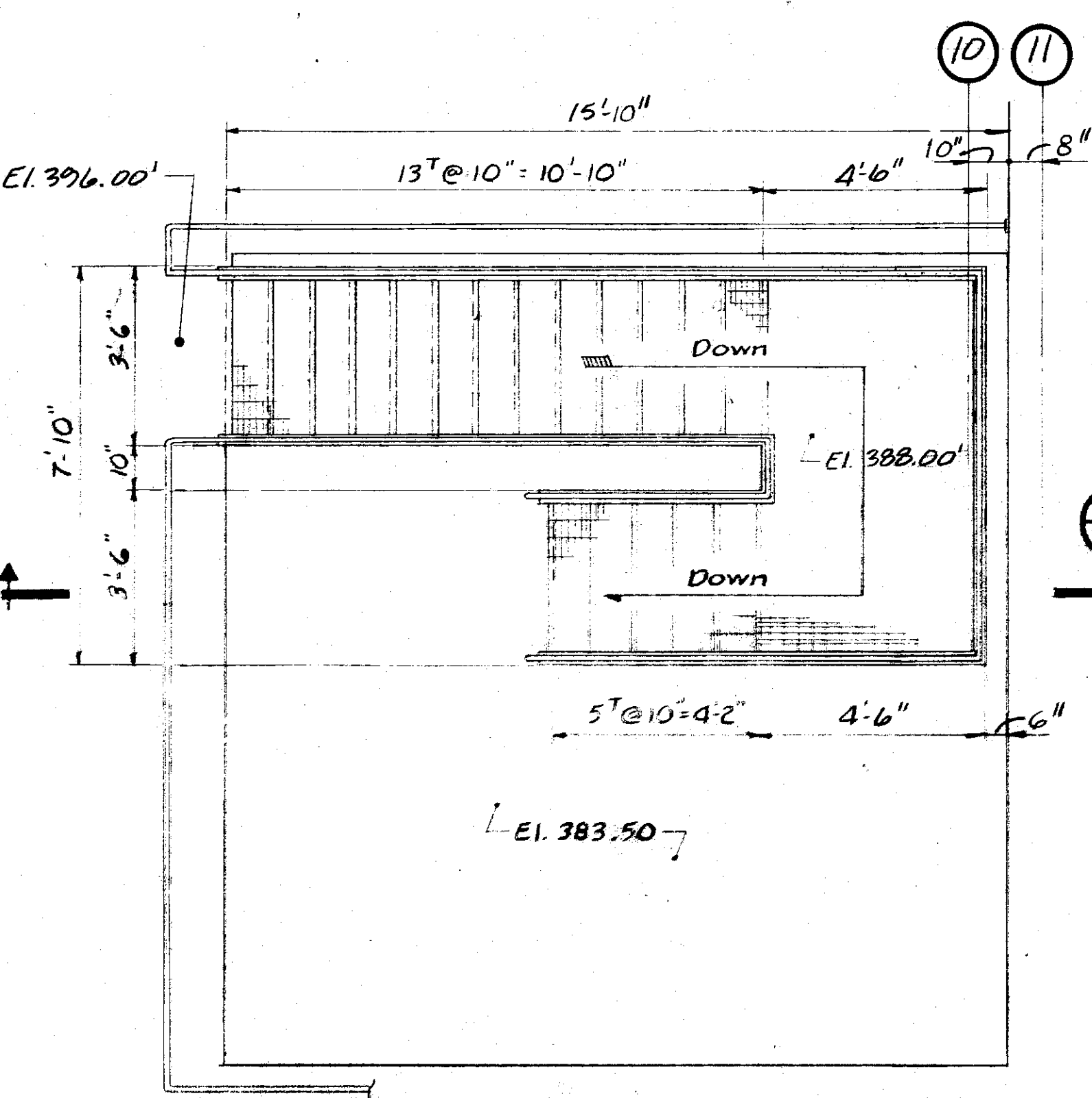
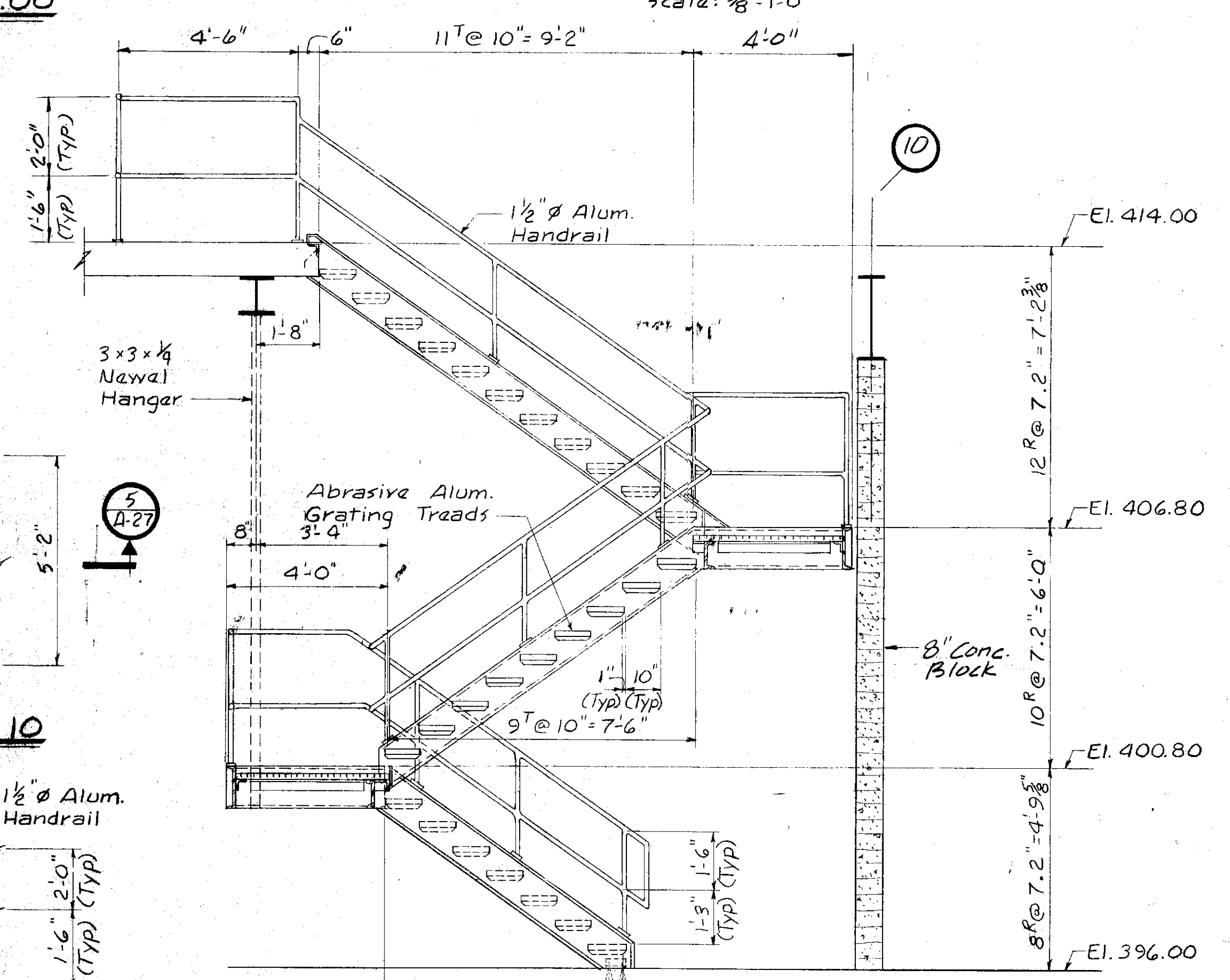
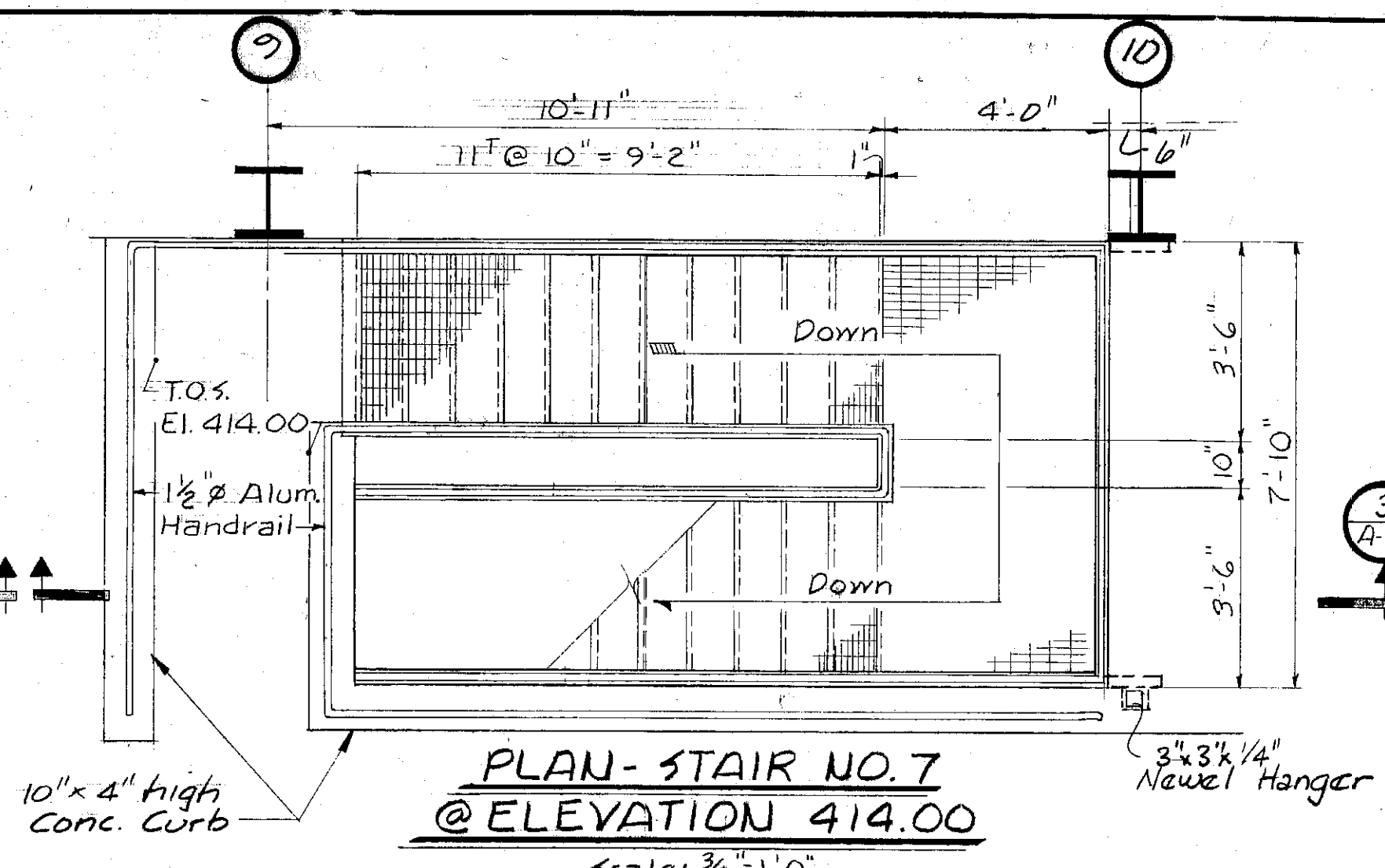
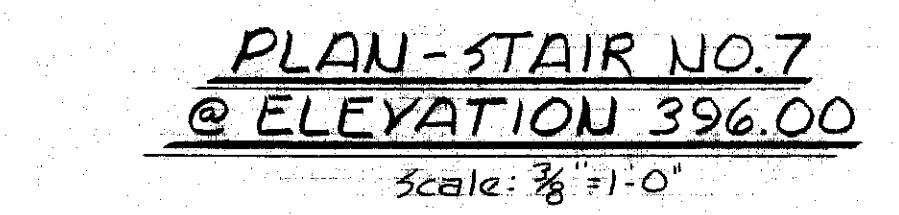
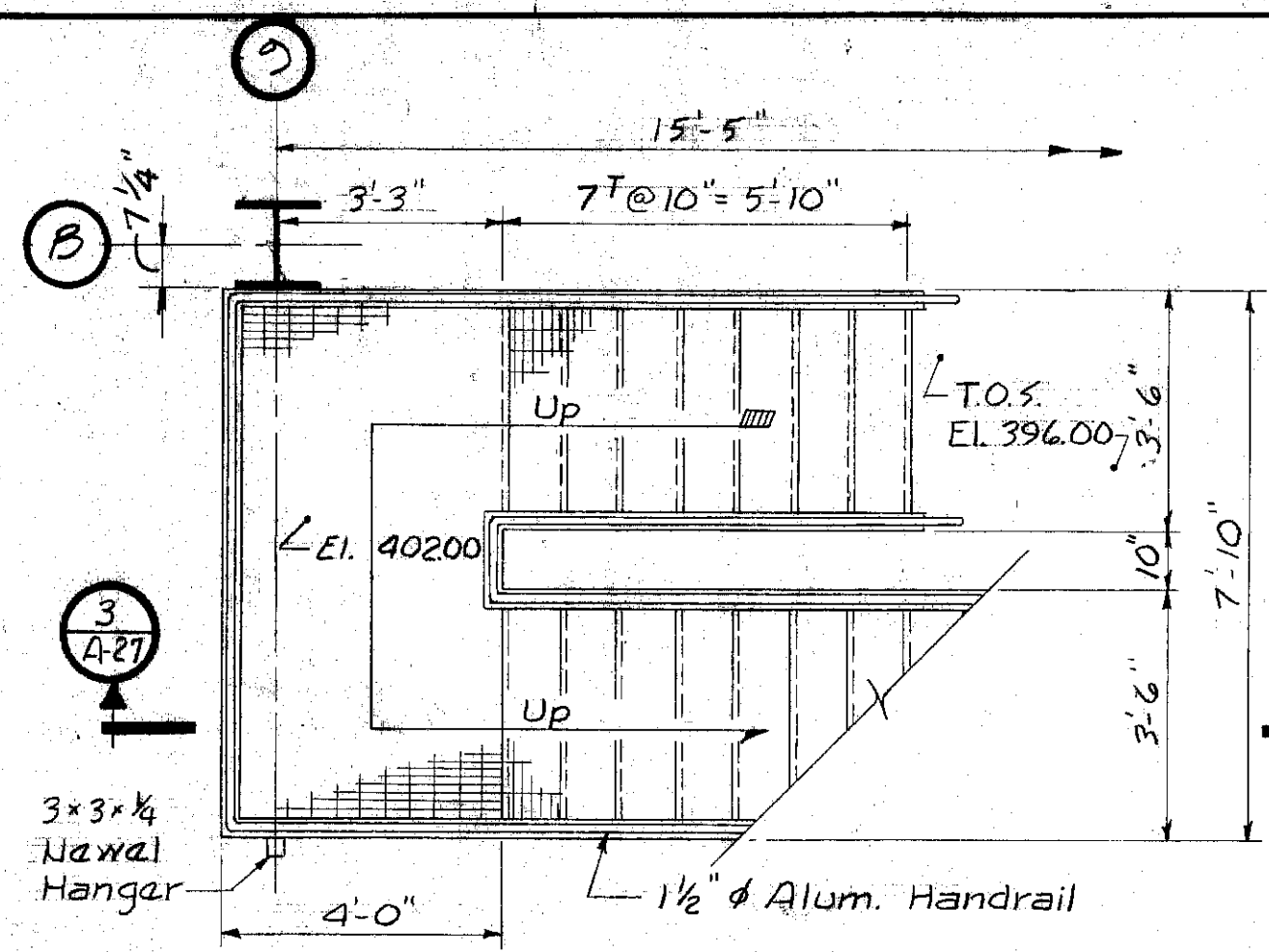
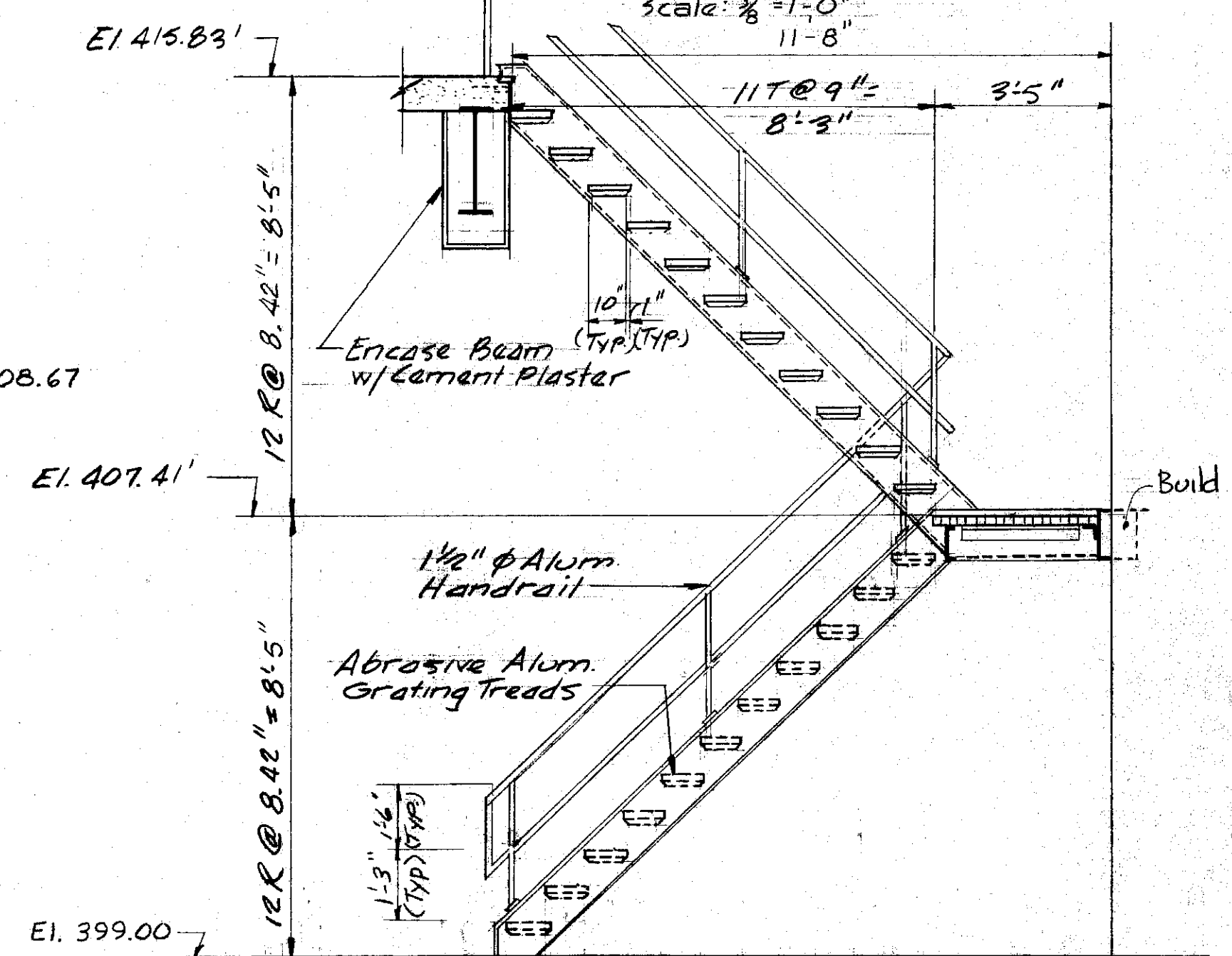
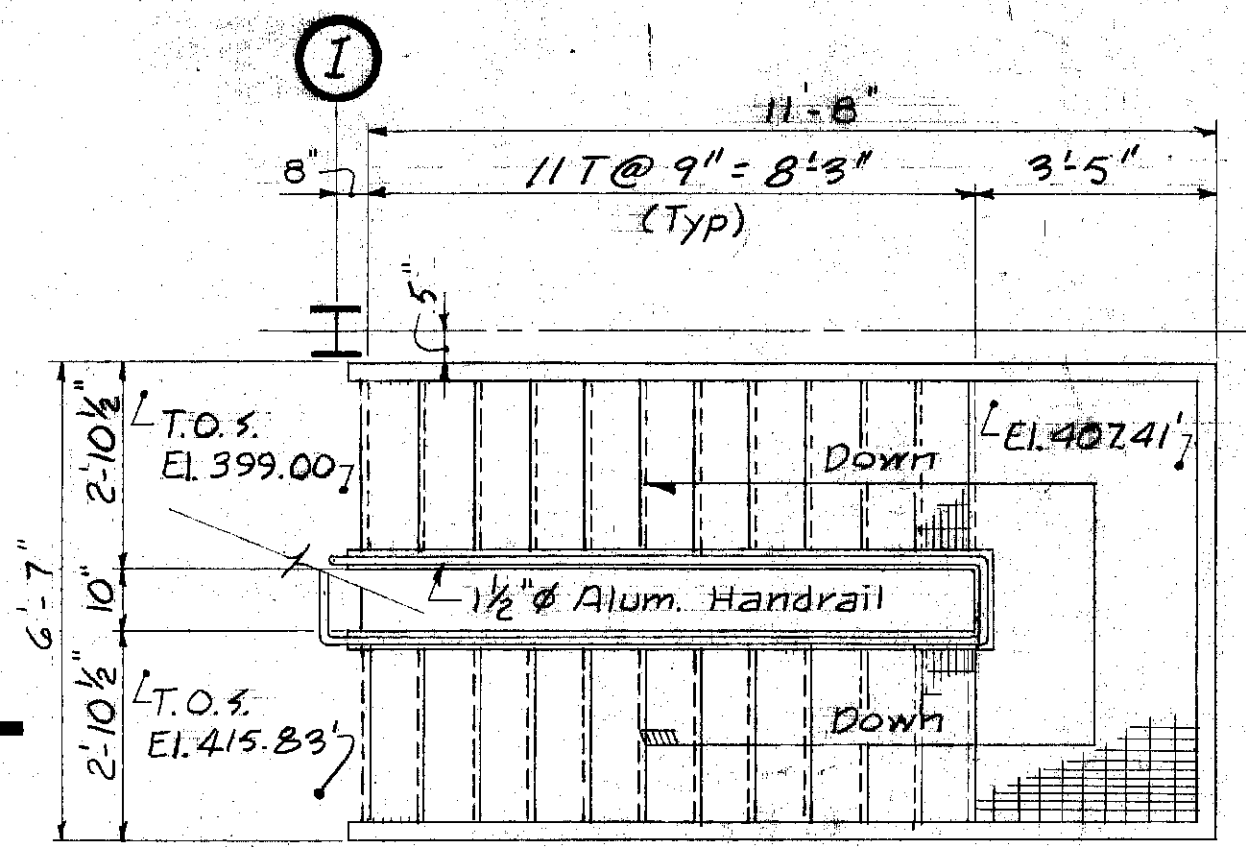
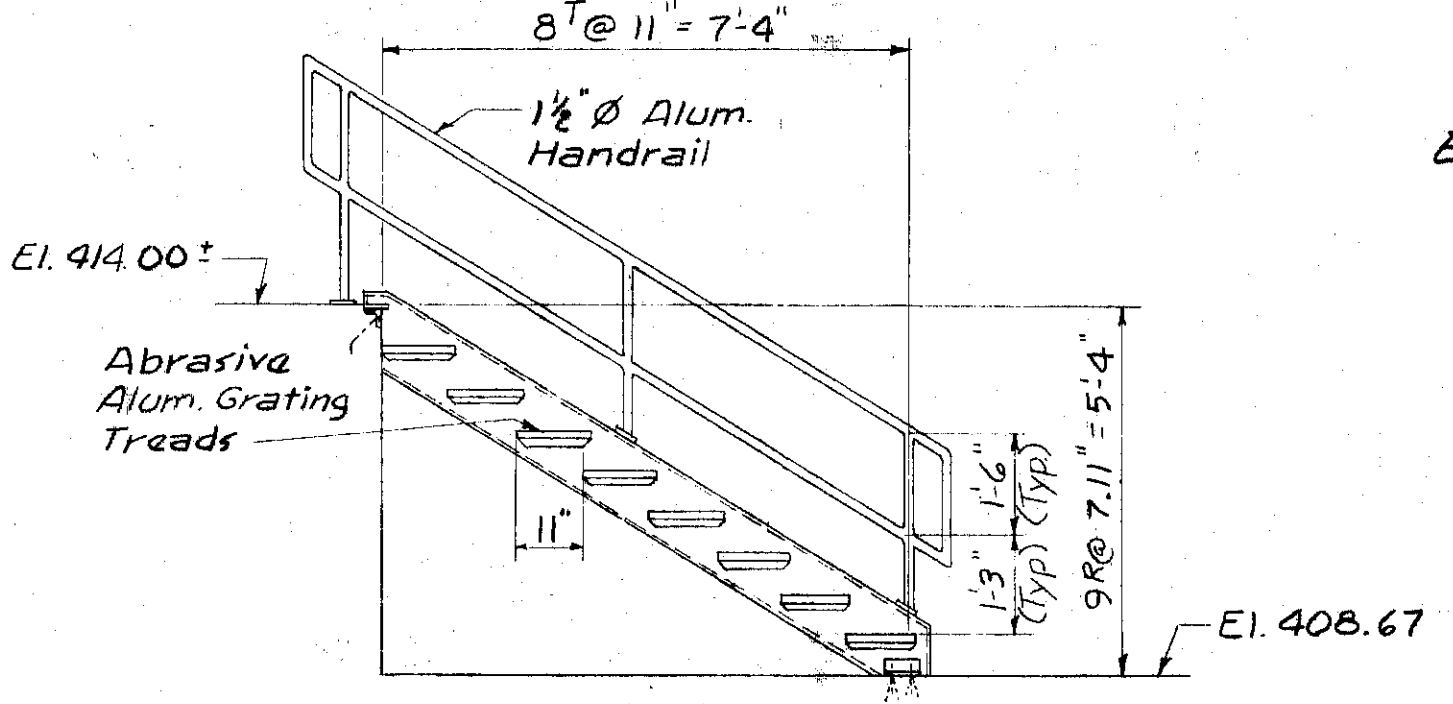
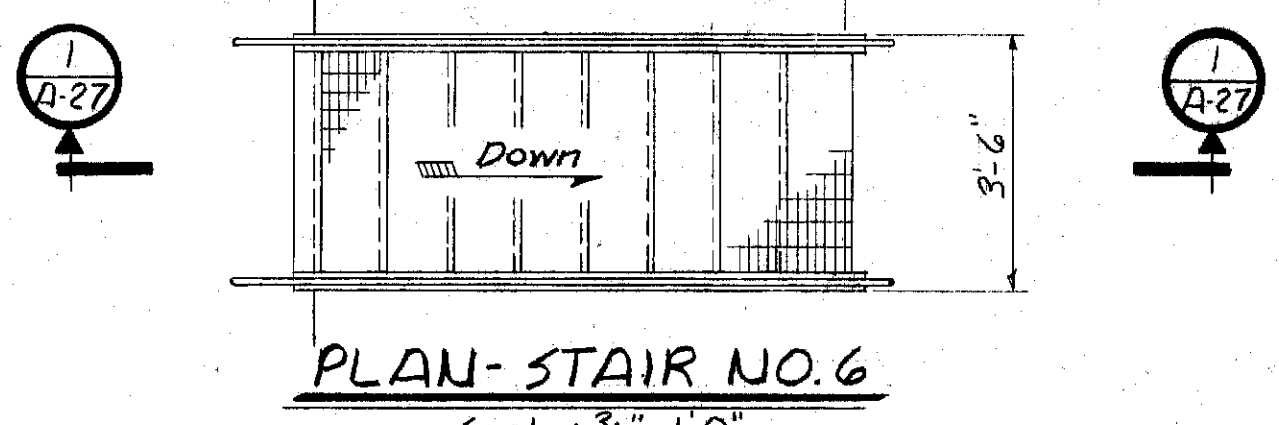
In charge of *M. M. M. M.*
 Designed by *G.P.K.* Checked by *G.P.K.*
 Made by *G.P.K.*

NO.	DATE	REVISION	INT.
2	2/14/78	General Revisions	
1	5/4/77	General Revisions	

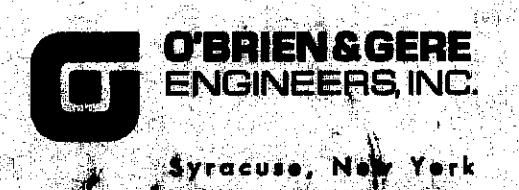


CLAY SANITARY DISTRICT
 OAK ORCHARD SERVICE AREA
 OAK ORCHARD WATER POLLUTION CONTROL PLANT

ARCHITECTURAL
 STAIR DETAILS
 FILE NO. 115.219.086F
 DATE JULY 1, 1975
 A-26



In charge of	M. M. K. K.	NO.	DATE	REVISION	INIT.
Designed by	ADN	1	2/14/78	General Revisions	ADN
Checked by	ADN	2	5/4/77	General Revisions	ADN
Made by	GPK				

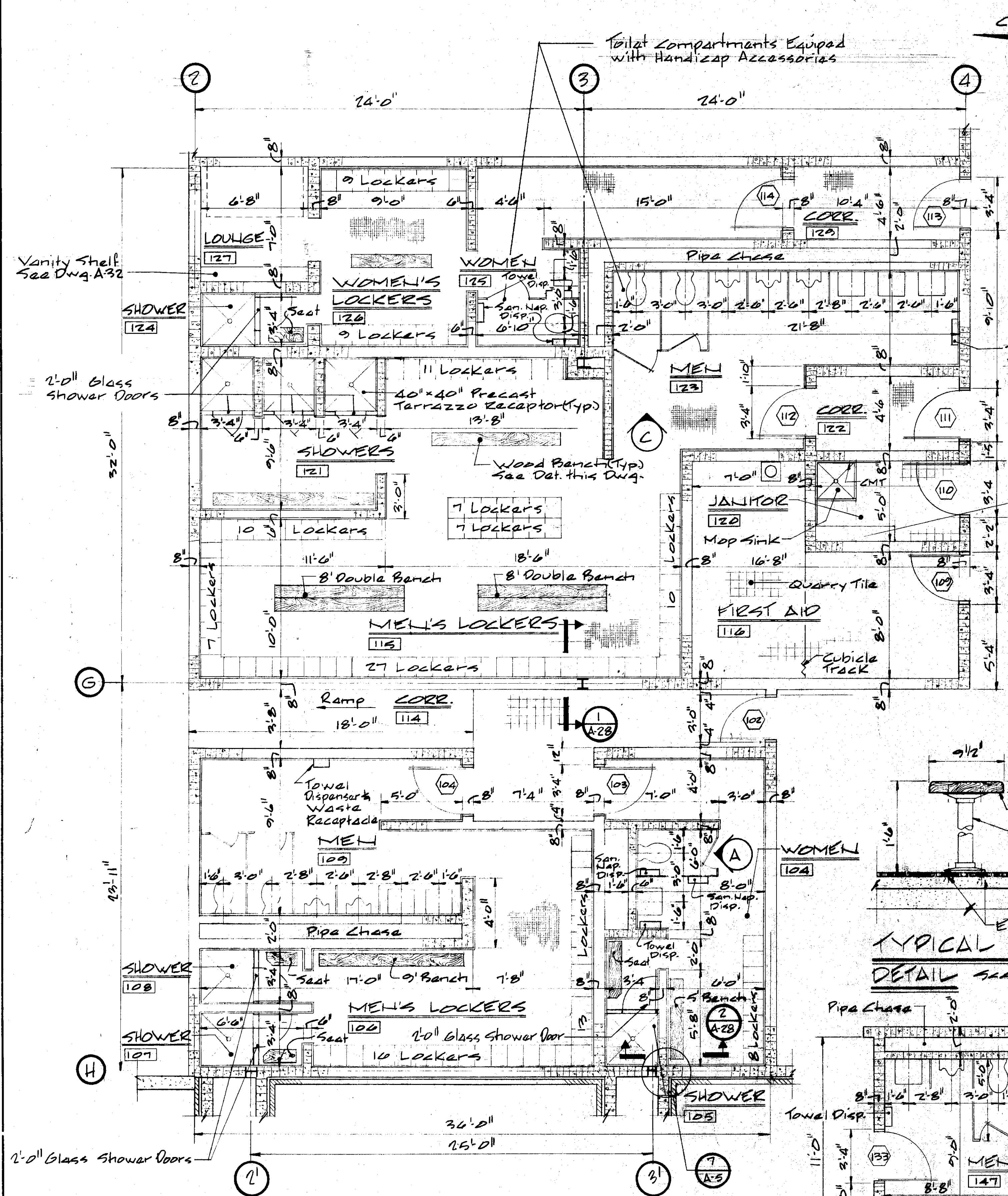


CLAY SANITARY DISTRICT
OAK ORCHARD SERVICE AREA
OAK ORCHARD WATER POLLUTION CONTROL PLANT

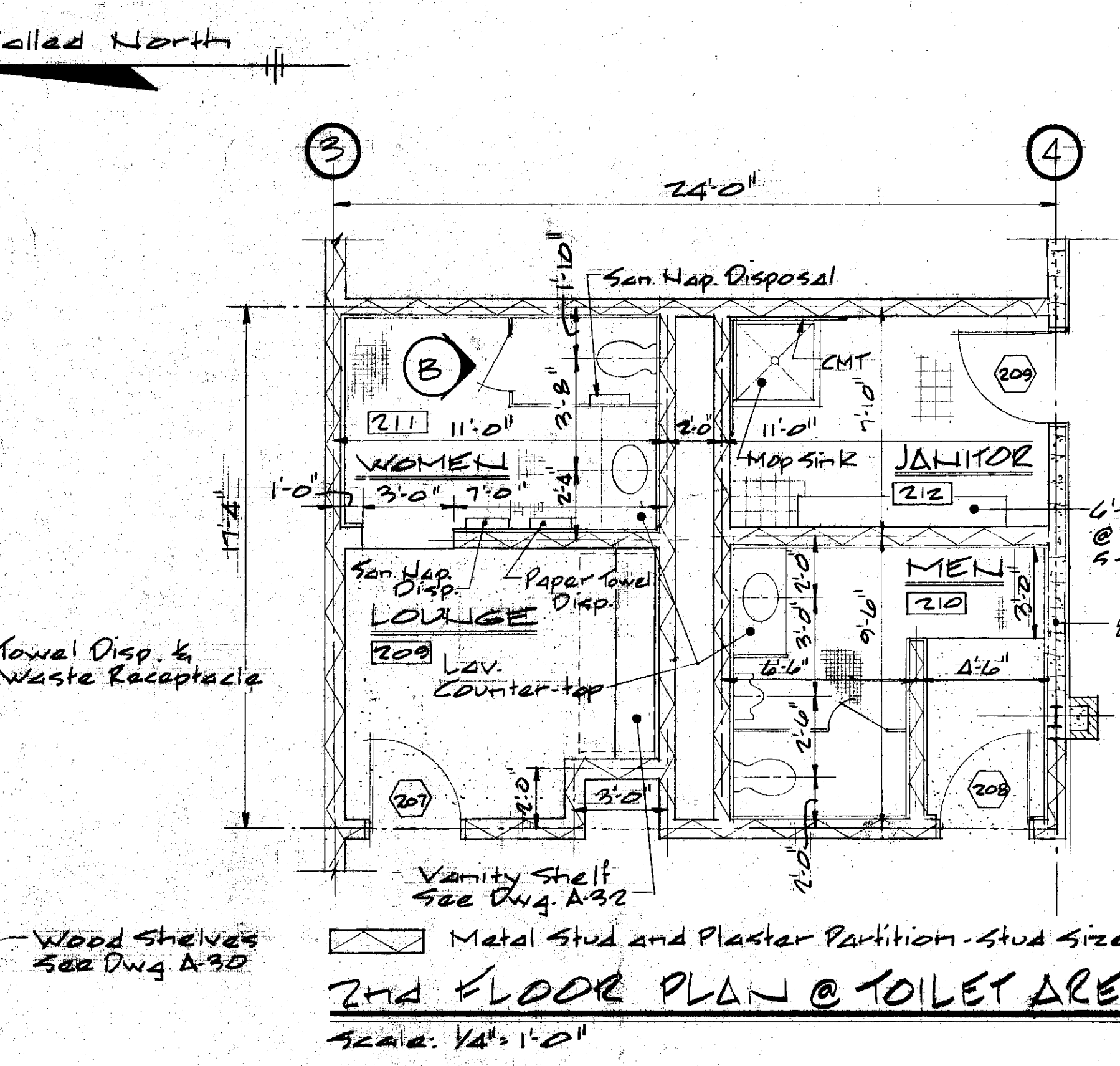
ARCHITECTURAL
STAIR DETAILS

FILE NO.	115.219.087F
DATE	JULY 1, 1975
	A-27

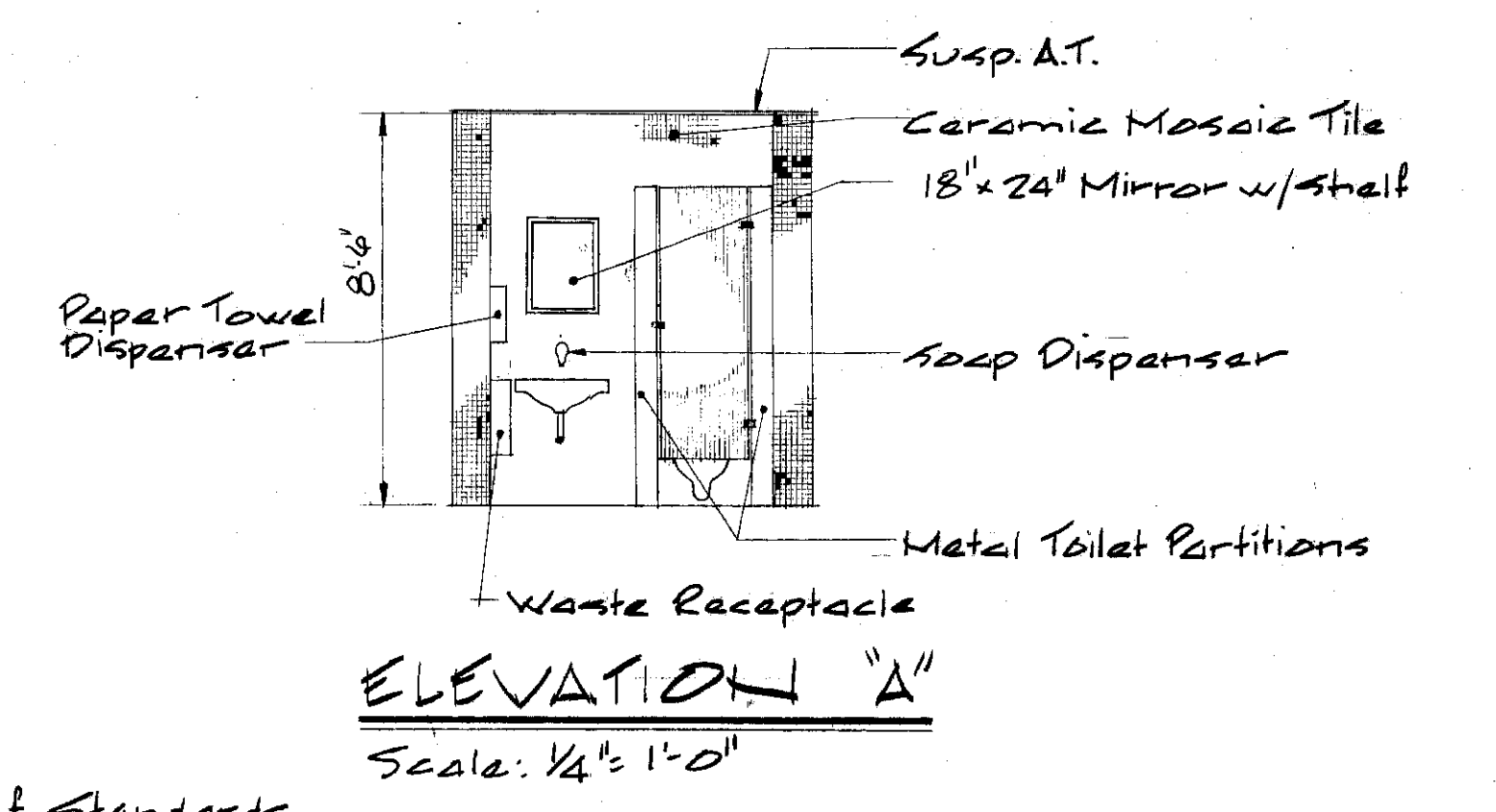
RESORT DRAWINGS
To the best of our knowledge, in-formation and belief, these drawings substantially represent the project as constructed.
O'Brien & Gere
Syracuse, New York
R.L. Suttphen



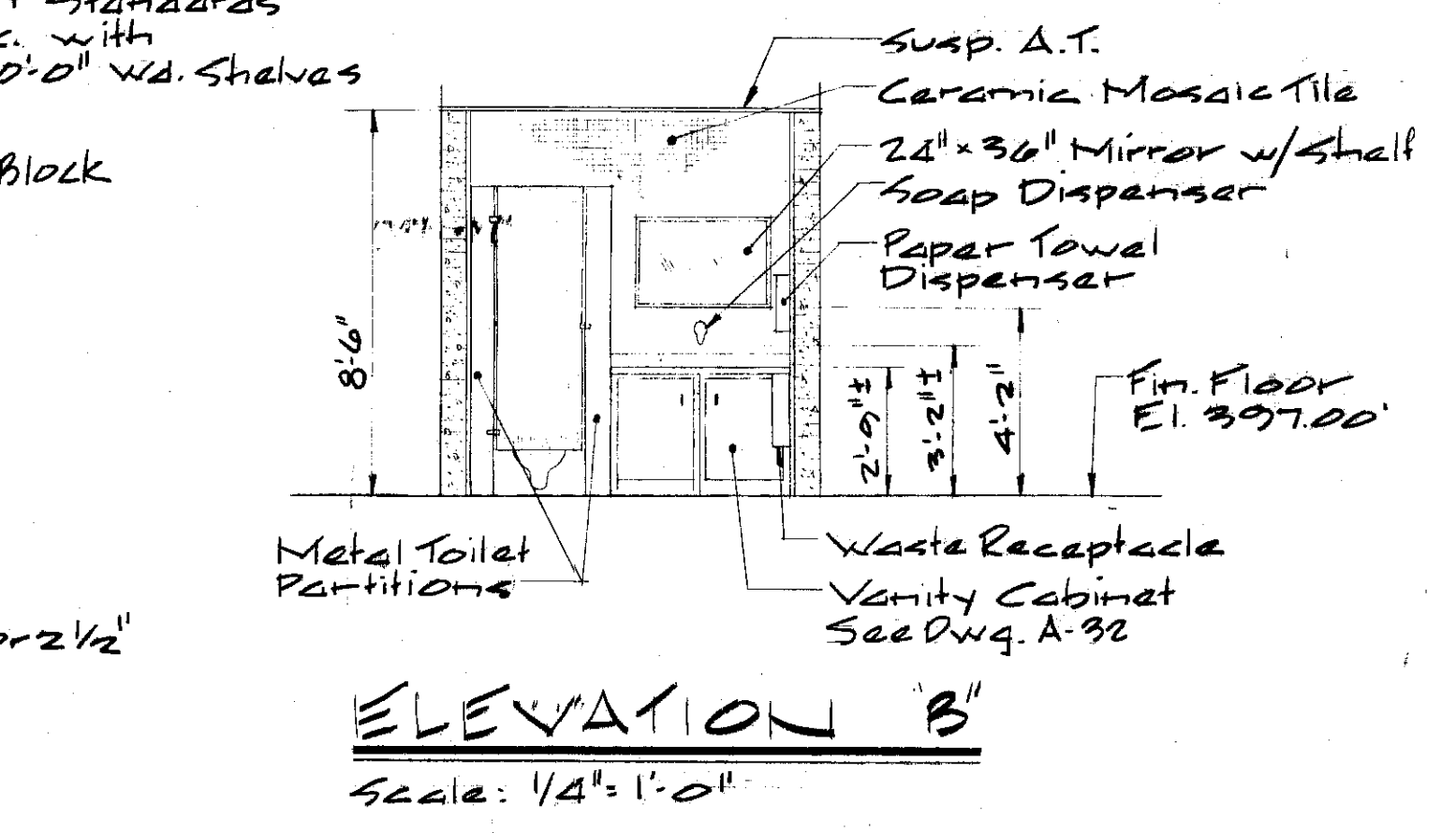
FIRST FLOOR PLAN @ TOILET AREA
Scale: 1/4" = 1'-0"



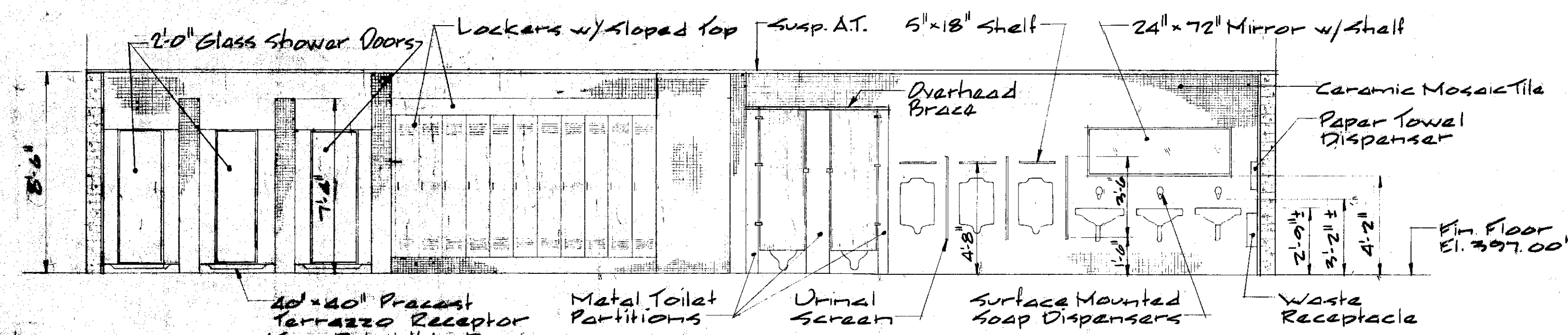
2ND FLOOR PLAN @ TOILET AREA
Scale: 1/4" = 1'-0"



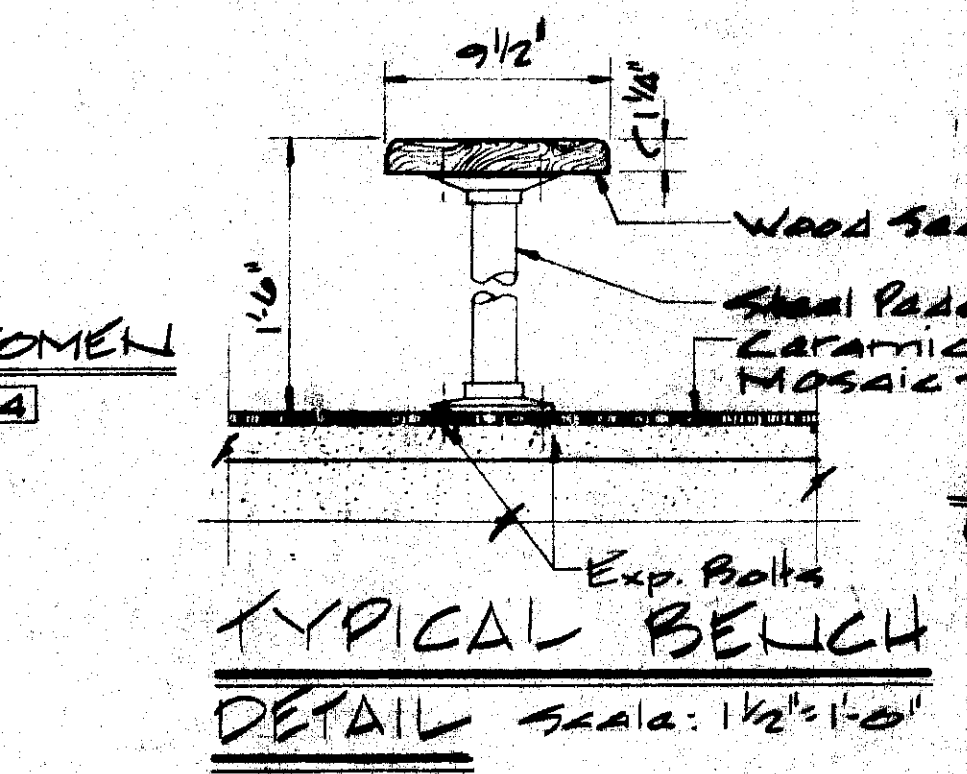
ELEVATION A
Scale: 1/4" = 1'-0"



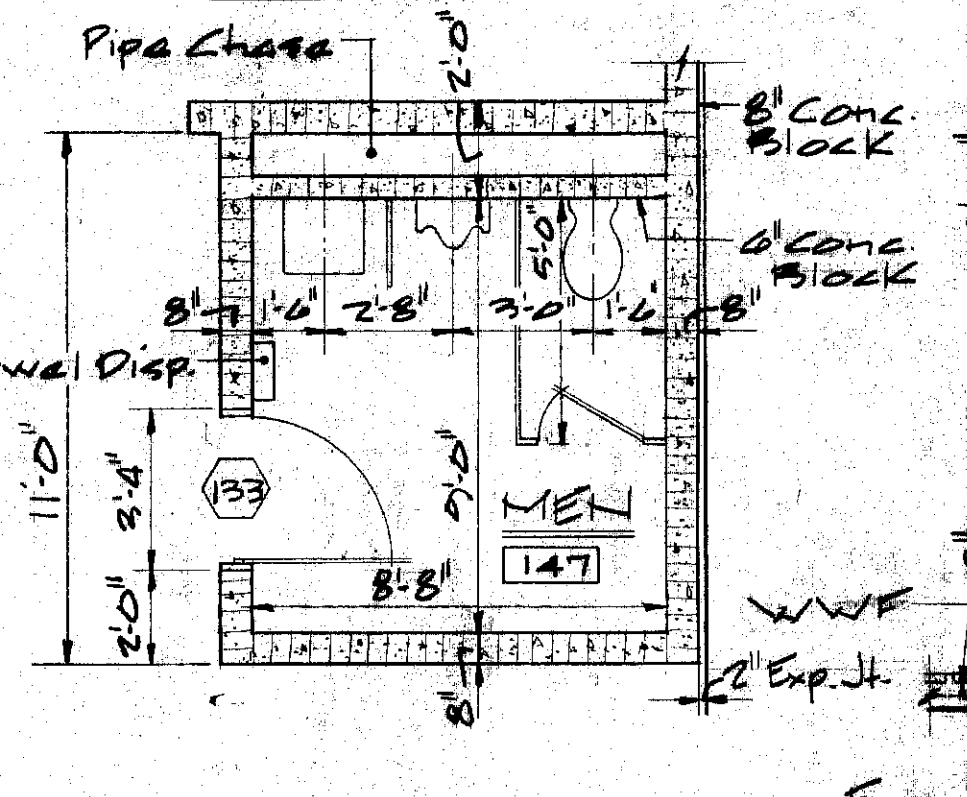
ELEVATION B
Scale: 1/4" = 1'-0"



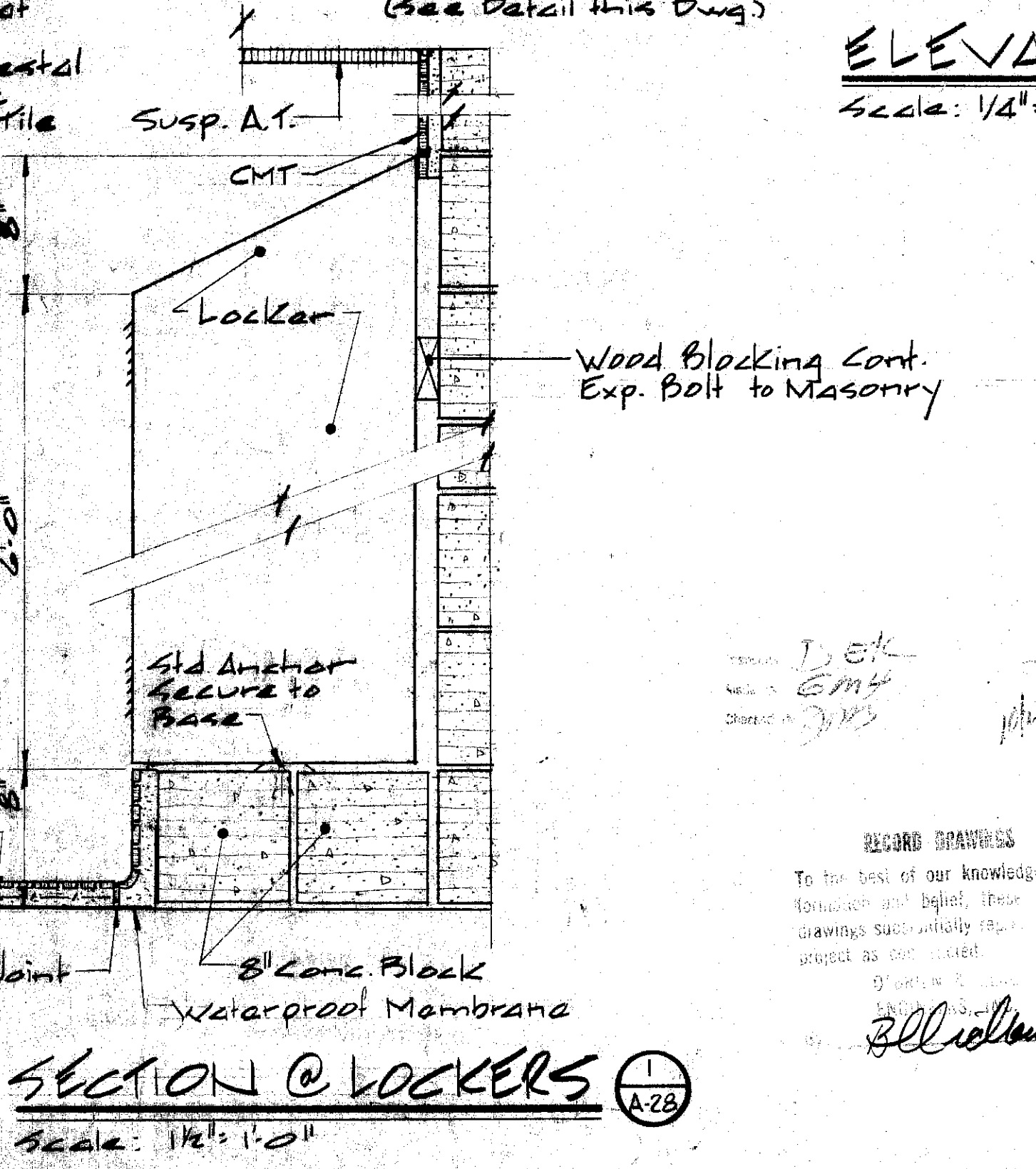
ELEVATION C
Scale: 1/4" = 1'-0"



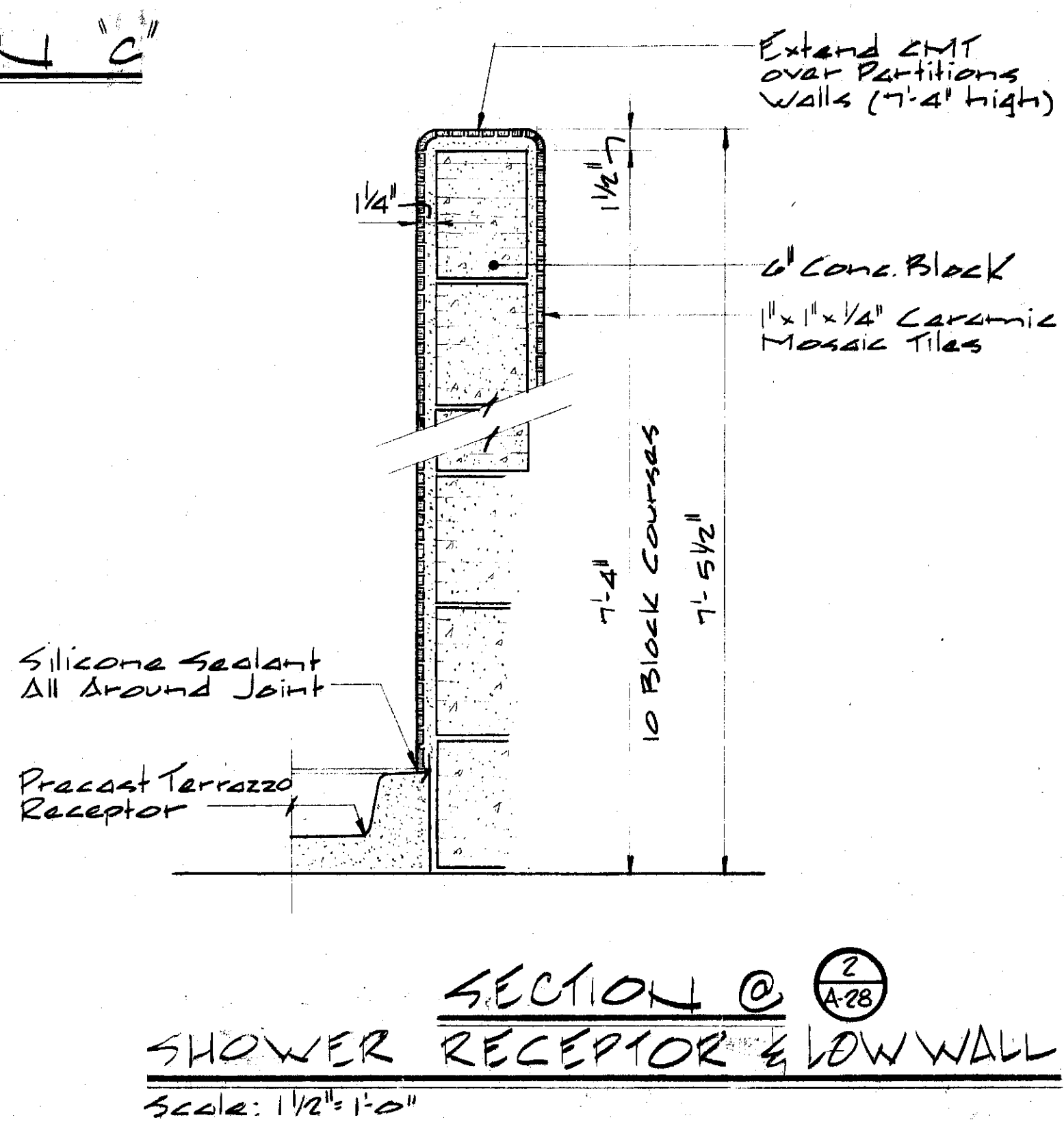
TYPICAL BENCH DETAIL
Scale: 1/2" = 1'-0"



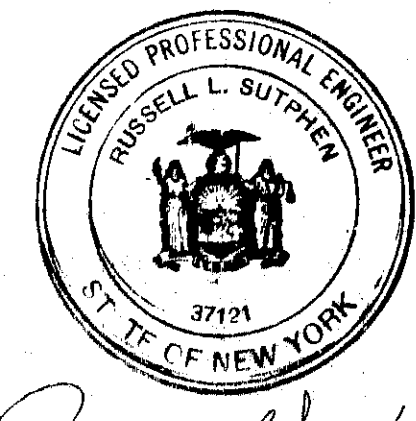
FIRST FLOOR PLAN @ MEN'S ROOM UNIT B
Scale: 1/4" = 1'-0"



SECTION @ LOCKERS
Scale: 1/2" = 1'-0"

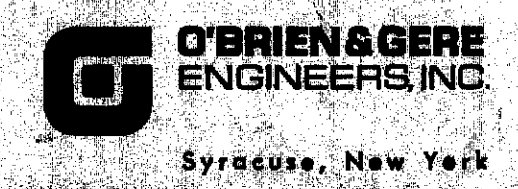


SECTION @ SHOWER RECEPTOR & LOW WALL
Scale: 1/2" = 1'-0"



In charge of *U. Kantak*
Designed by *ADN* Checked by *ADN*
Made by *REB*

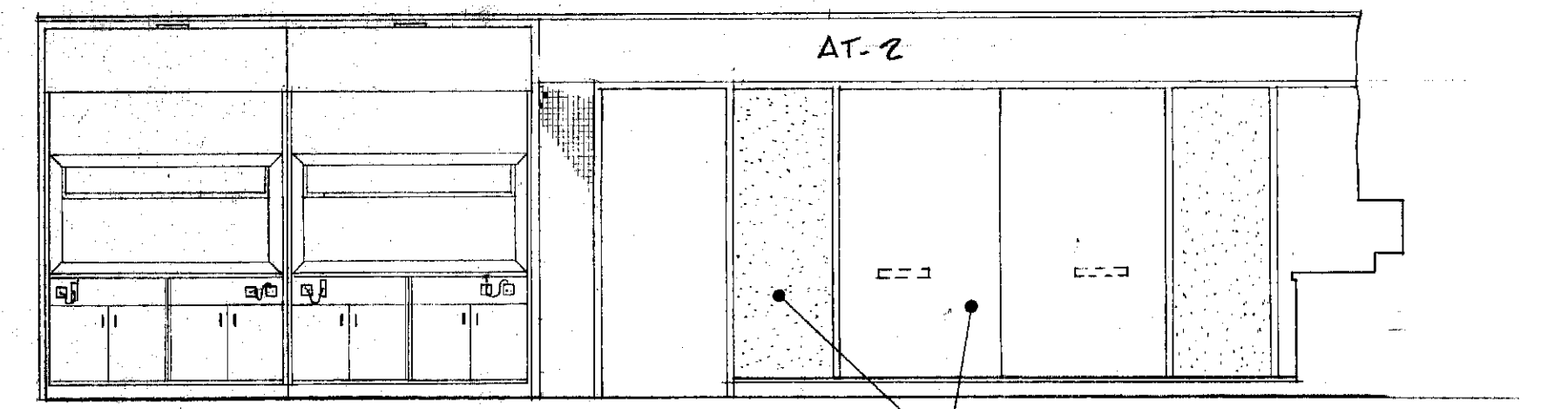
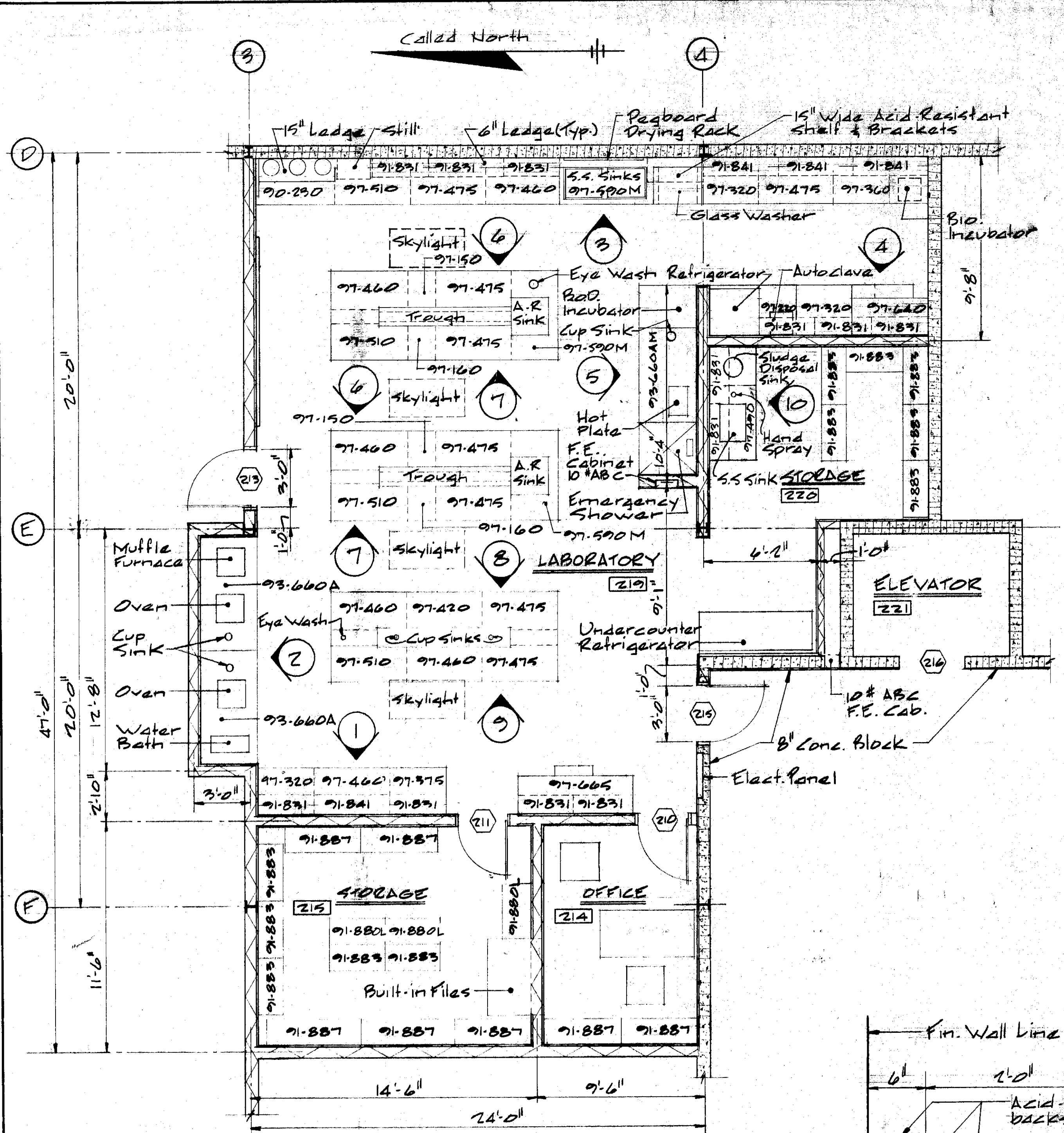
NO.	DATE	REVISION	INIT.
2	2/14/78	General Revisions	
1	3/14/77	General Revisions	



CLAY SANITARY DISTRICT
OAK ORCHARD SERVICE AREA
OAK ORCHARD WATER POLLUTION CONTROL PLANT

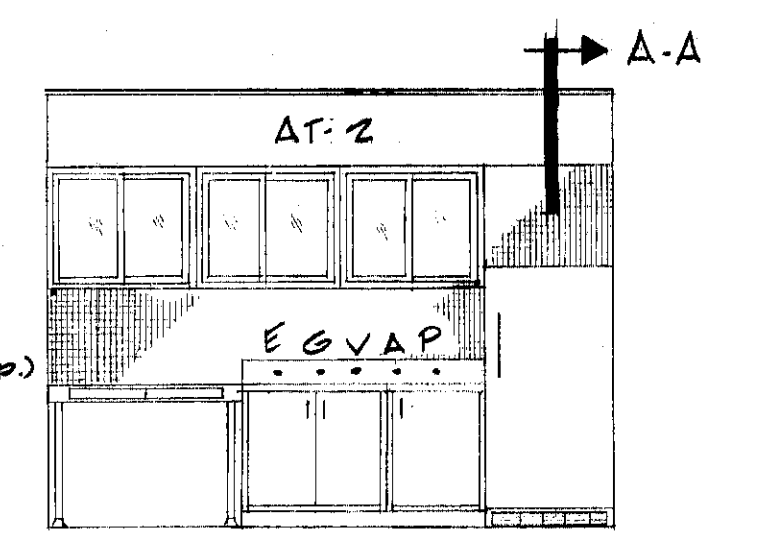
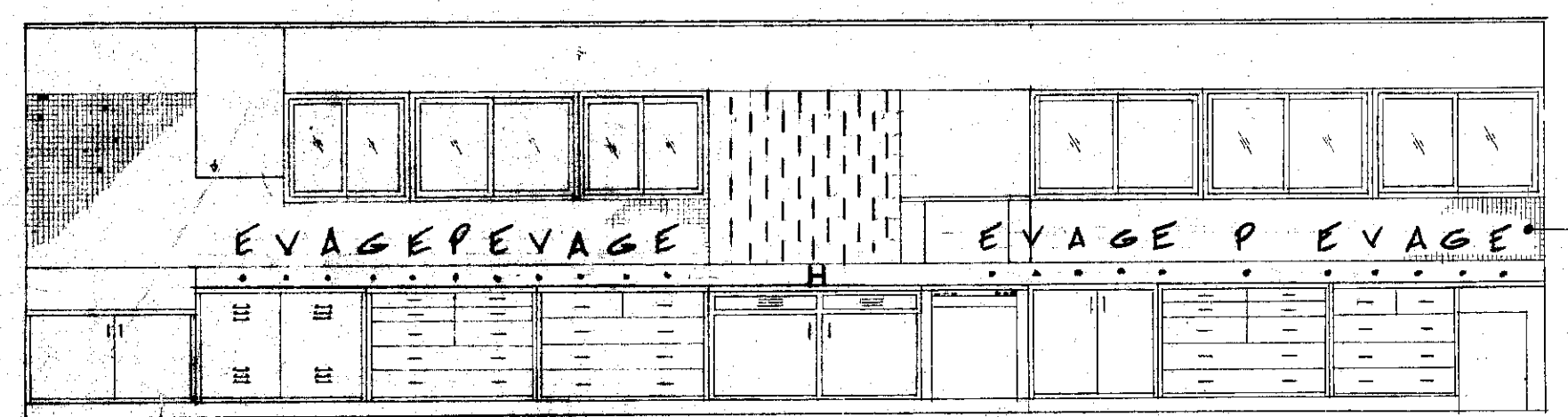
ARCHITECTURAL
UNIT A & B
TOILET & LOCKER ROOM DETAILS

FILE NO.
115.219.088F
DATE
JULY 1, 1975
A-28



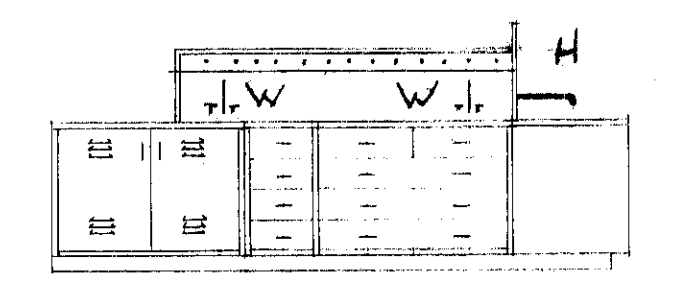
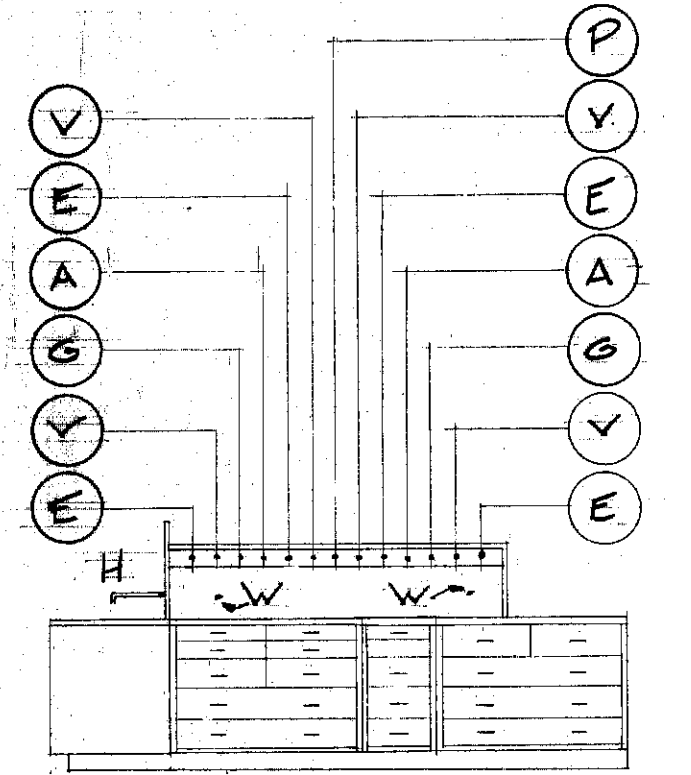
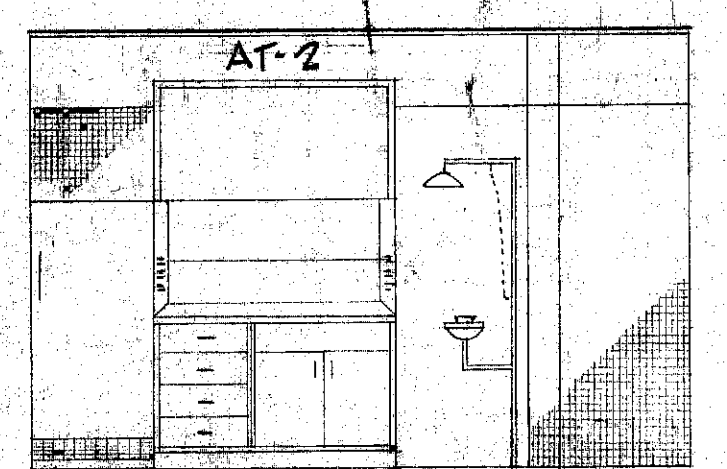
ELEVATION 1
Scale: 1/4" = 1'-0"

ELEVATION 2
Scale: 1/4" = 1'-0"



ELEVATION 3
Scale: 1/4" = 1'-0"

ELEVATION 4
Scale: 1/4" = 1'-0"

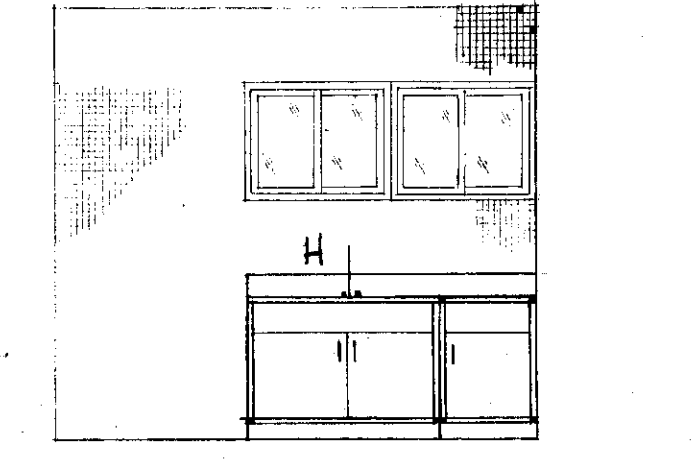
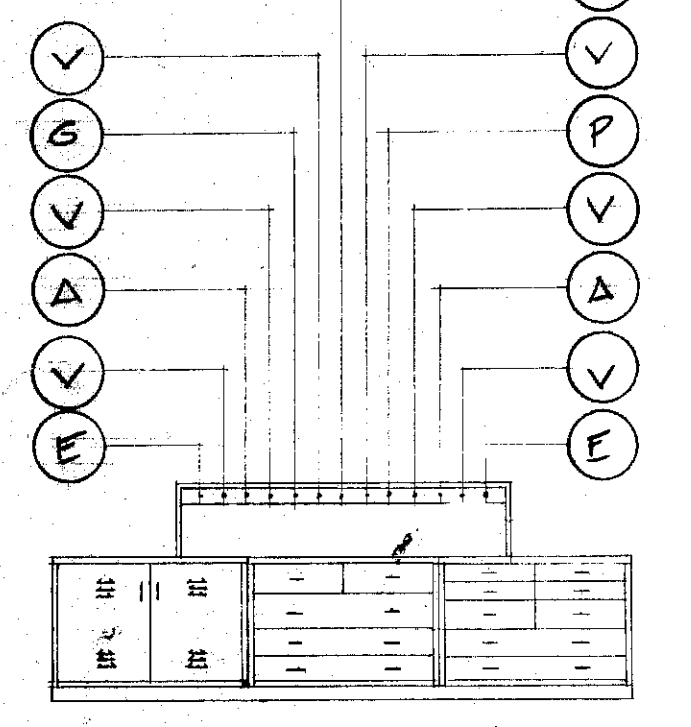
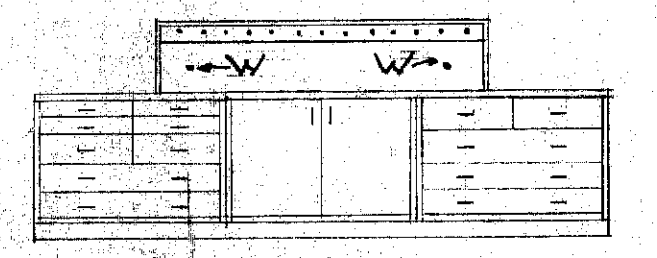


ELEVATION 5
Scale: 1/4" = 1'-0"

ELEVATION 6
Scale: 1/4" = 1'-0"

ELEVATION 7
Scale: 1/4" = 1'-0"

Note: Service Fixtures for Elevations 5 and 7 are Typical each side

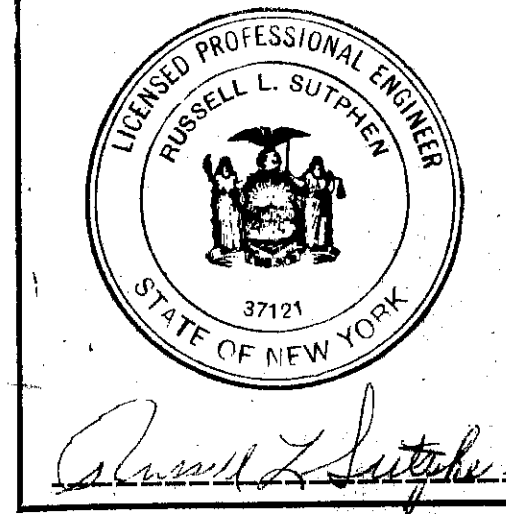
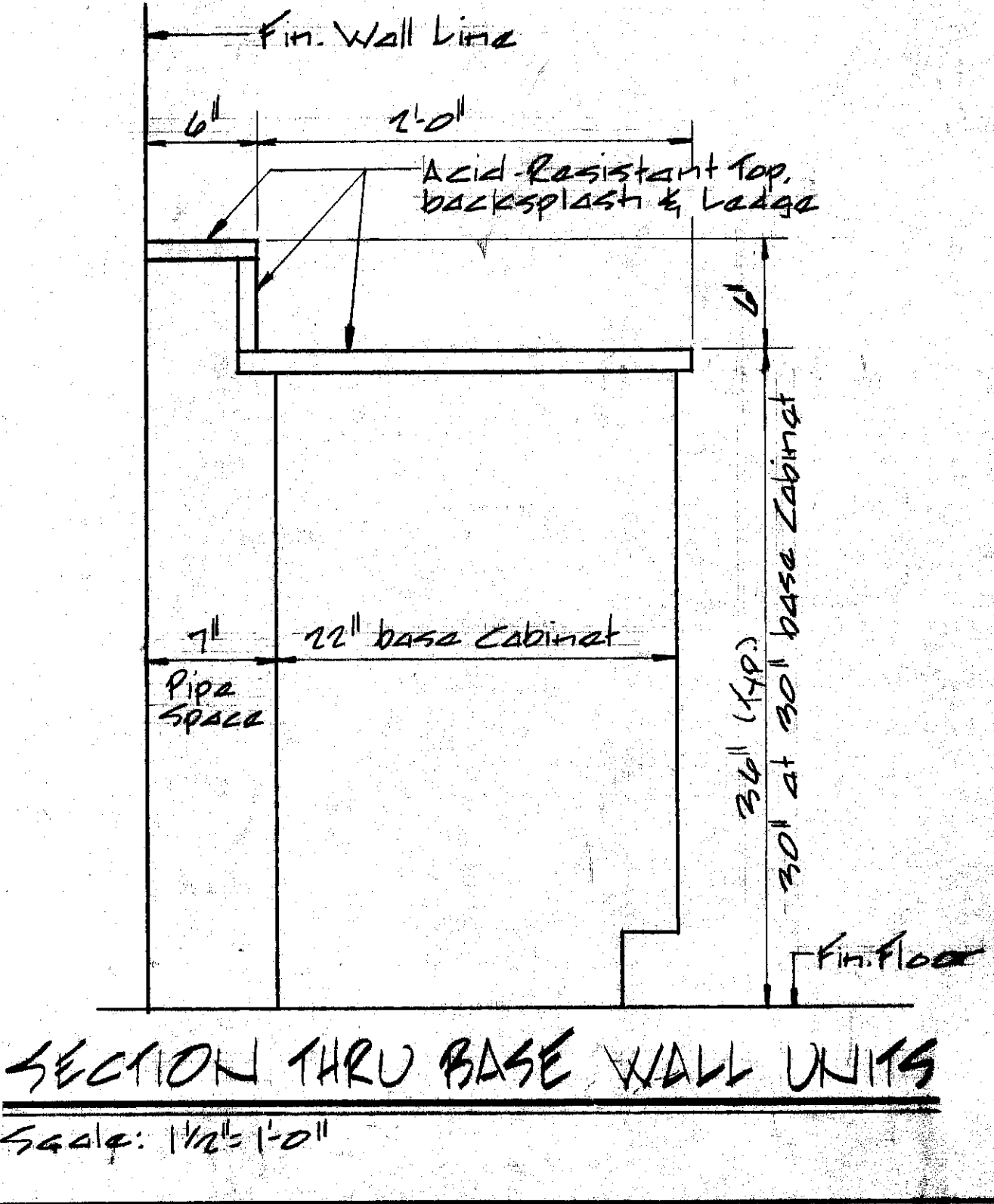
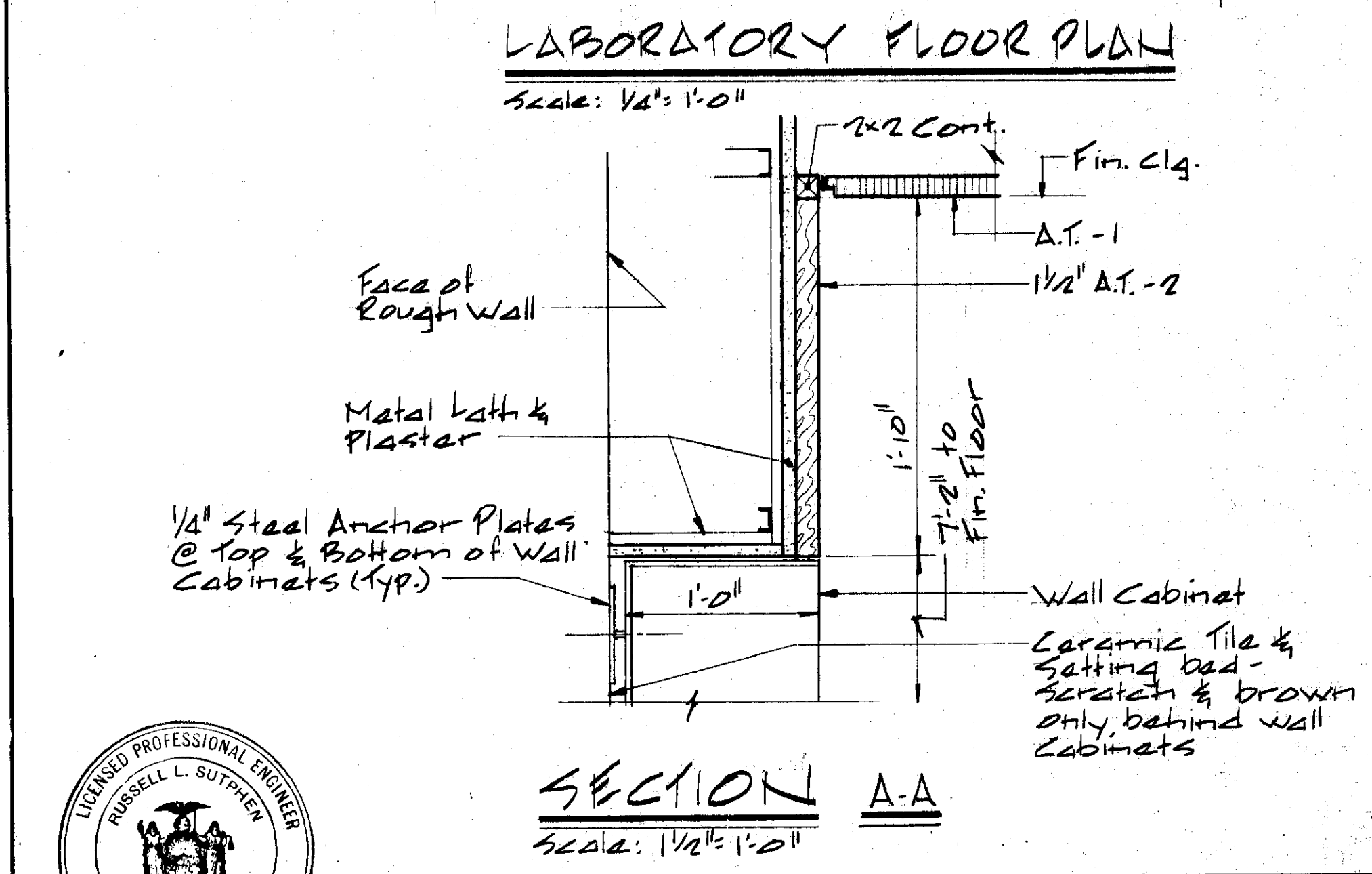


ELEVATION 8
Scale: 1/4" = 1'-0"

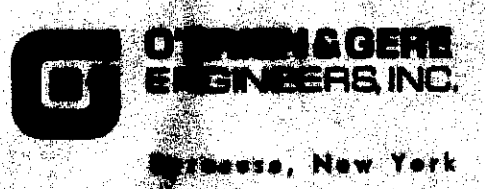
ELEVATION 9
Scale: 1/4" = 1'-0"

ELEVATION 10
Scale: 1/4" = 1'-0"

- V Vacuum
- A Air
- G Gas
- W Cold Water
- H Hot & Cold Water
- E Duplex 110V Outlet
- P 220V Outlet



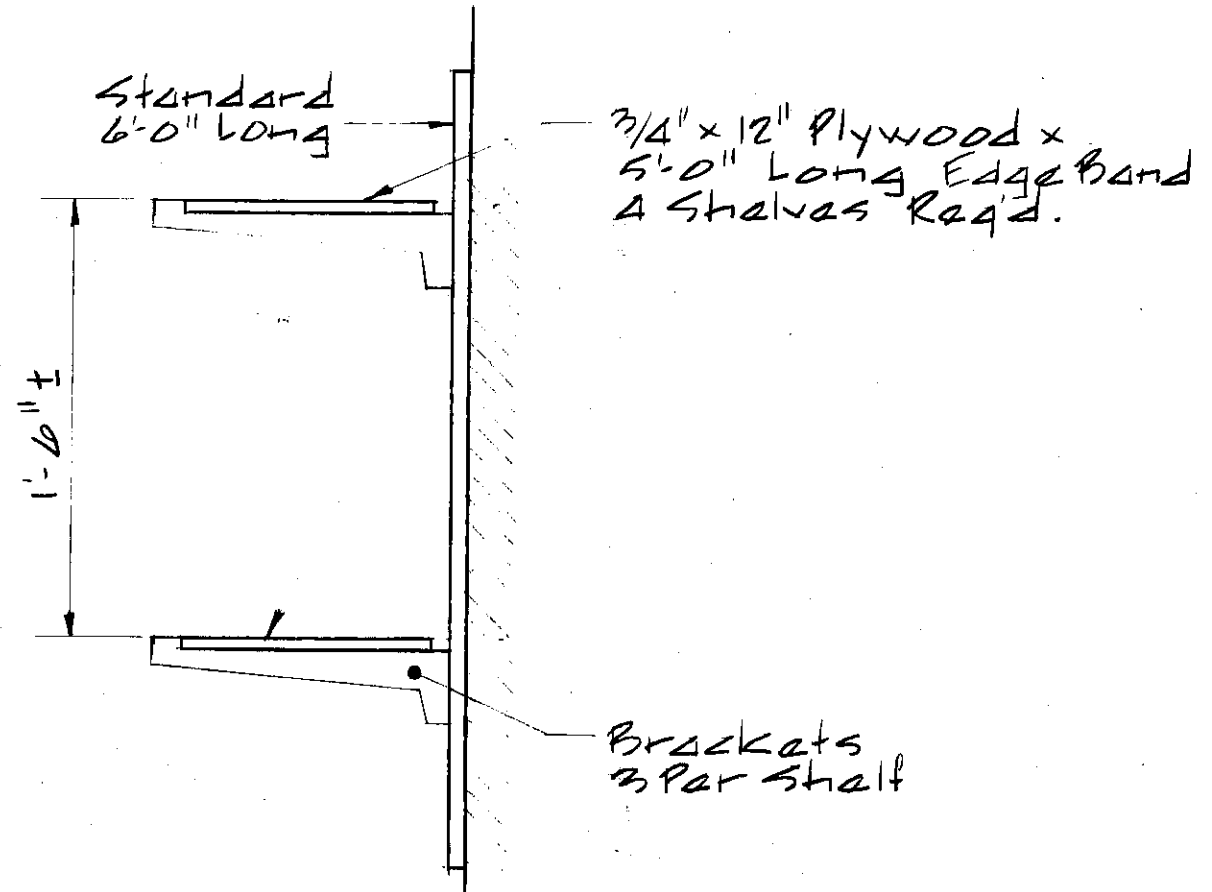
In charge of: <i>M. Santilli</i>	Scale: 1/4" = 1'-0"	NO.	DATE	REVISION	INIT.
Designed by: <i>SEN</i>					
Checked by: <i>SEN</i>					
Made by: <i>RPB</i>		2	2/19/78	General Revisions	
		1	3/14/77	General Revisions	



CLAY SANITARY DISTRICT
OAK ORCHARD SERVICE AREA
OAK ORCHARD WATER POLLUTION CONTROL PLANT

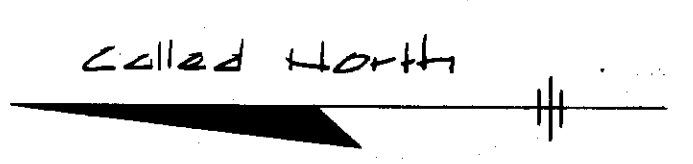
ARCHITECTURAL
UNIT A
LABORATORY DETAILS

FILE NO. 115.219.089F
DATE JULY 1, 1975
A-29

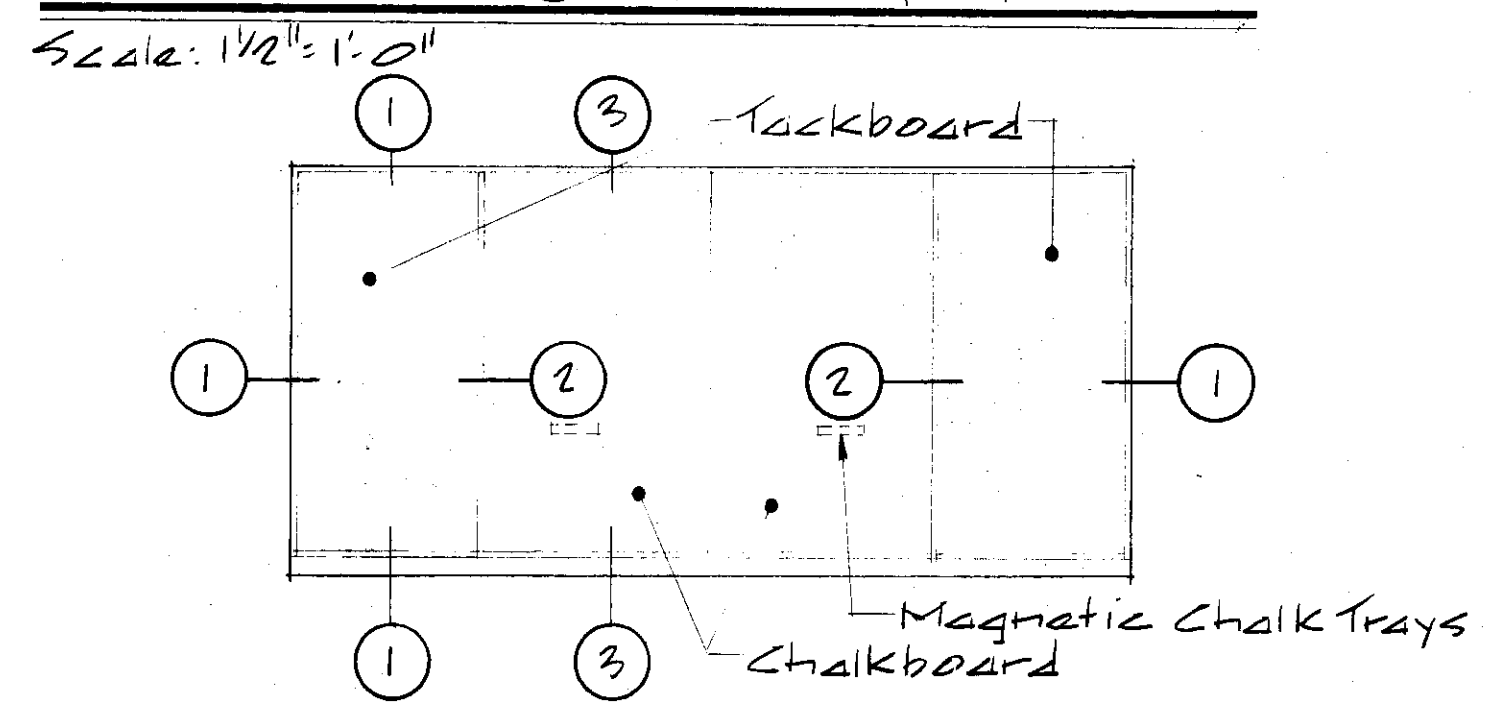


LEGEND

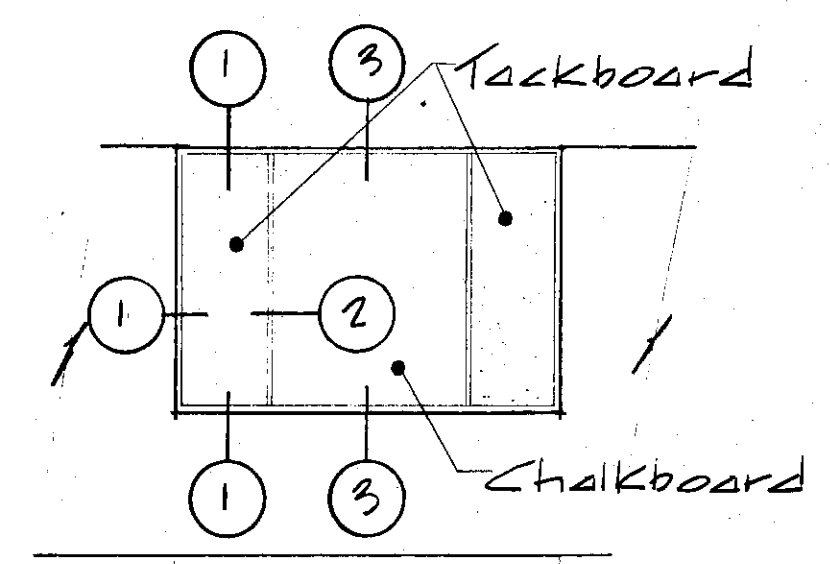
- ☒ Supply Air Register
- Exhaust Grille
- ▭ Return Air Grille
- ▭ Fluorescent Light Fixture
- ▭ Skylight
- Incandescent Recessed Light Fixture
- ▭ Cement Plaster Soffit



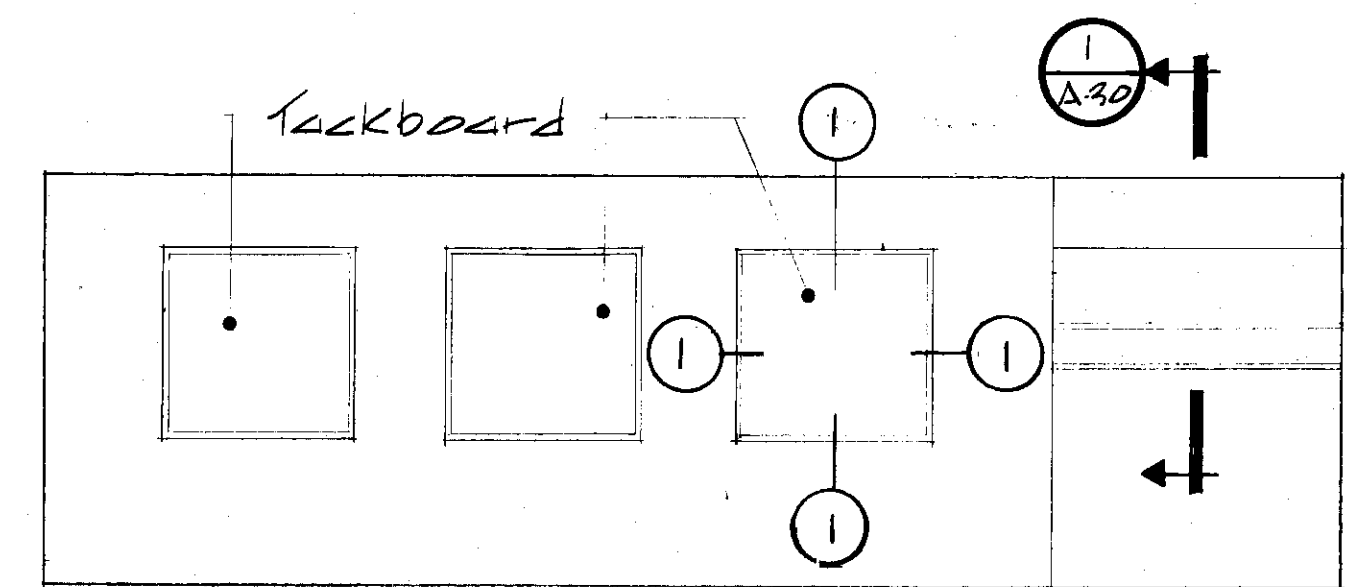
SHELVES @ JANITOR ROOMS



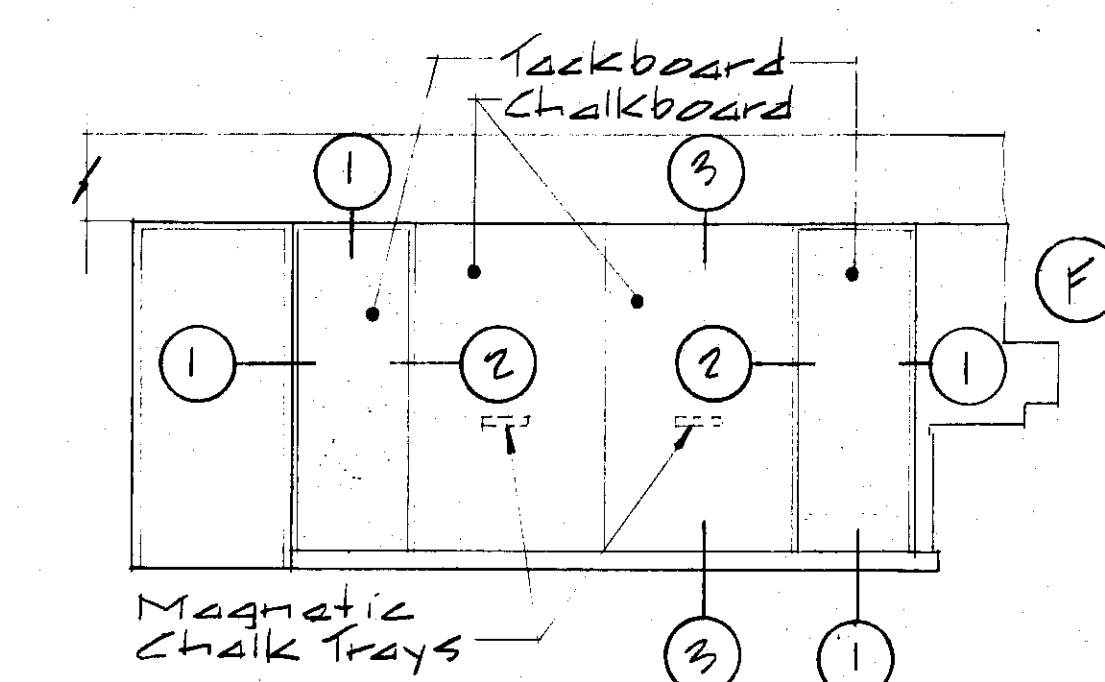
ELEVATION 1
Scale: 1/4" = 1'-0"



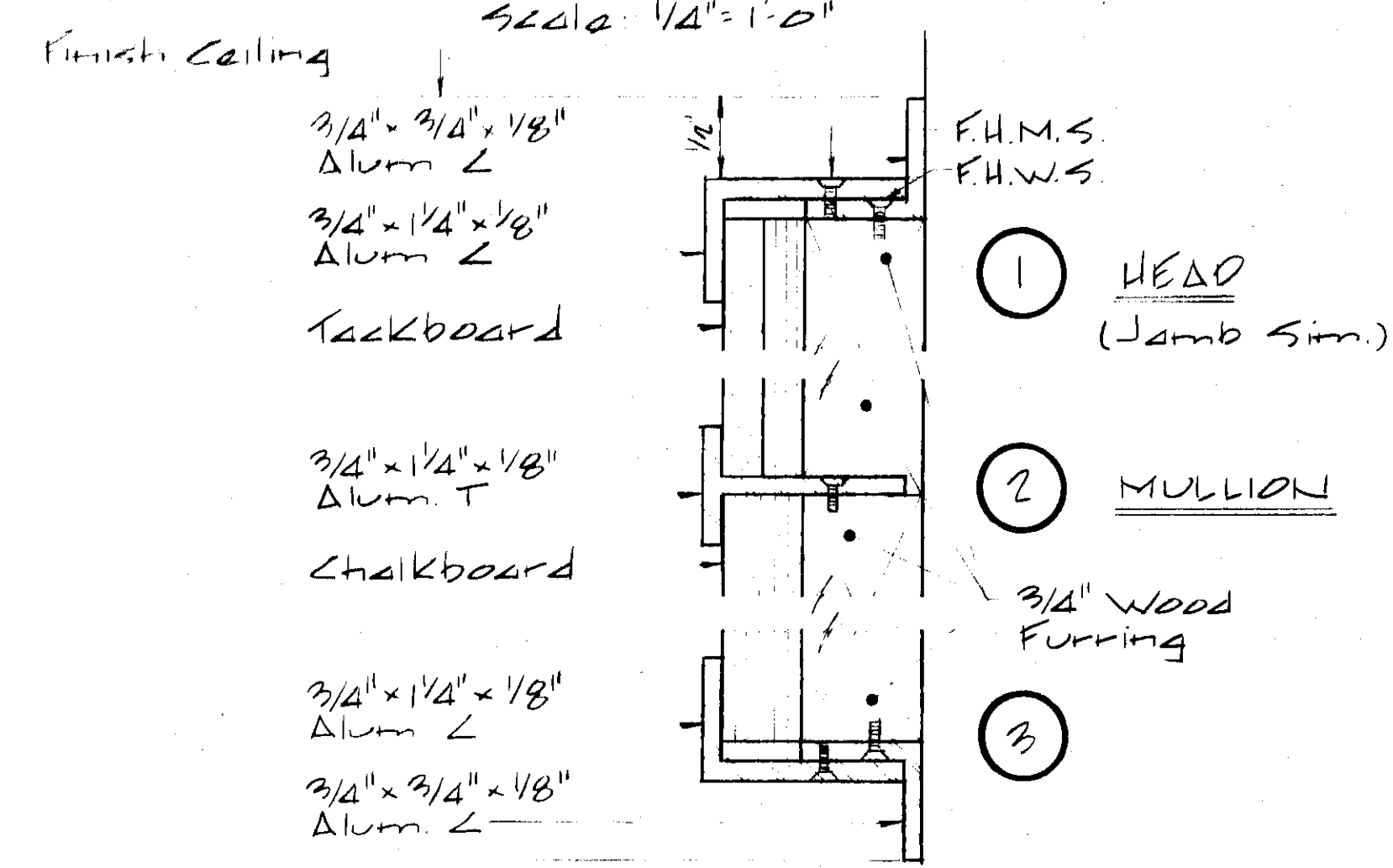
ELEVATION 2
Scale: 1/4" = 1'-0"



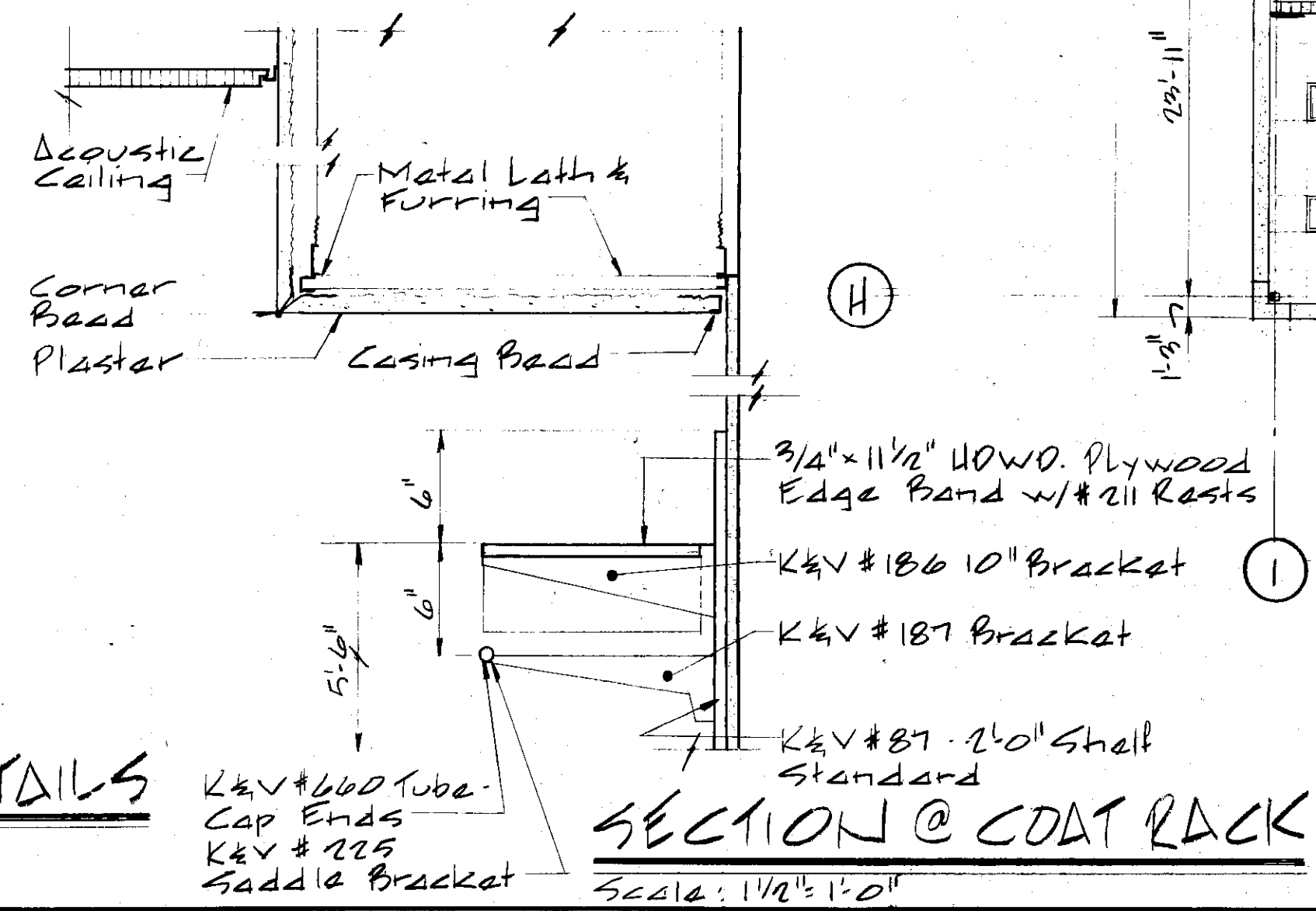
ELEVATION 3
Scale: 1/4" = 1'-0"



ELEVATION 4
Scale: 1/4" = 1'-0"

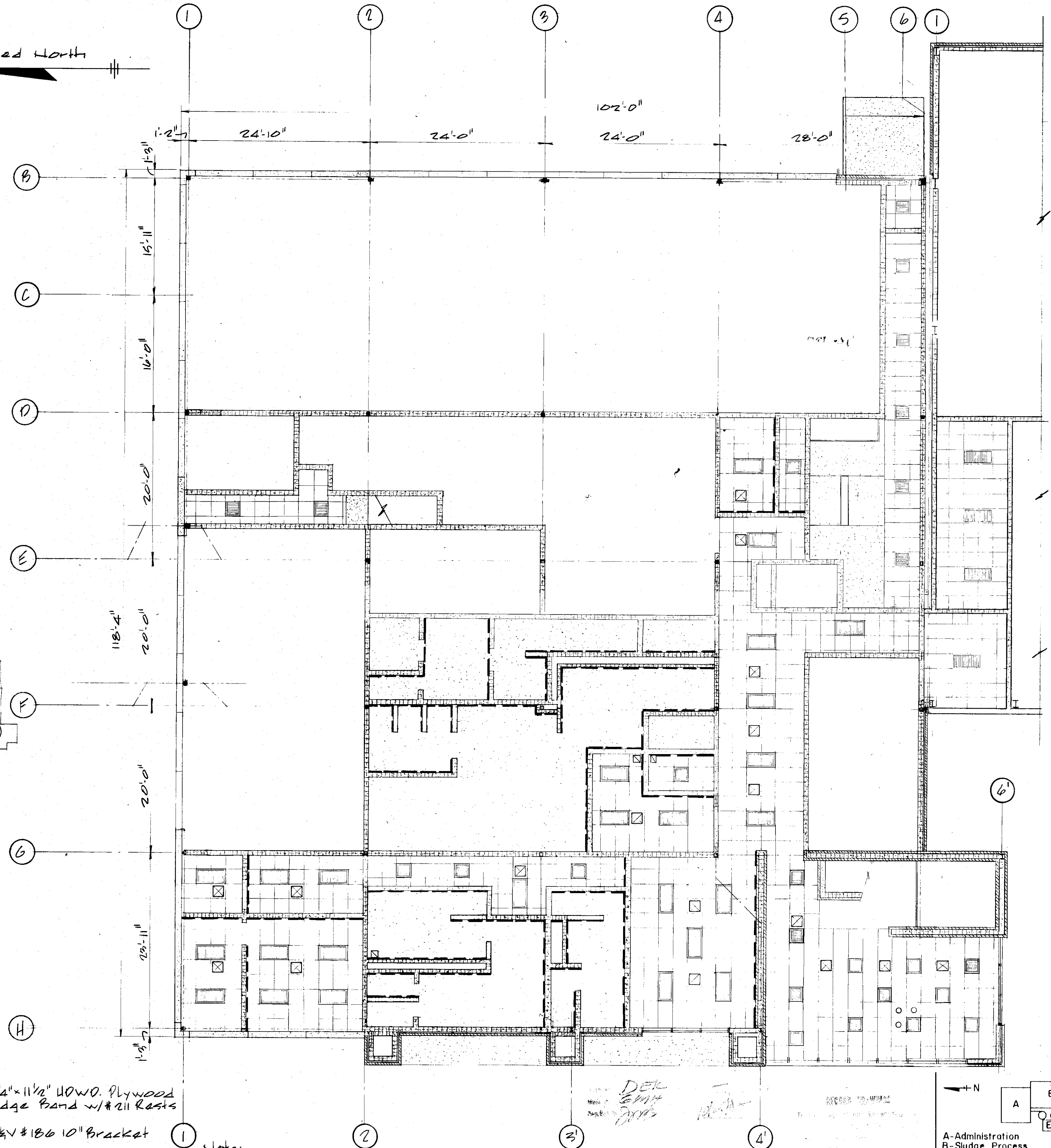


CHALKBOARD & TACKBOARD DETAILS
Scale: Full Size

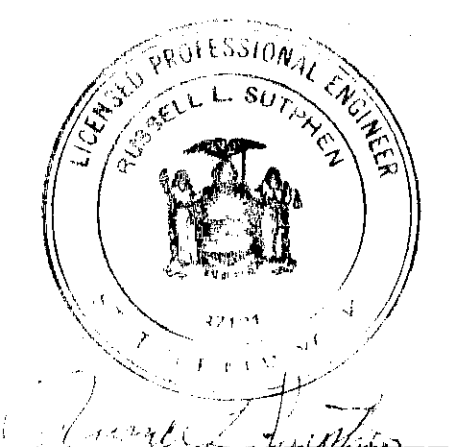
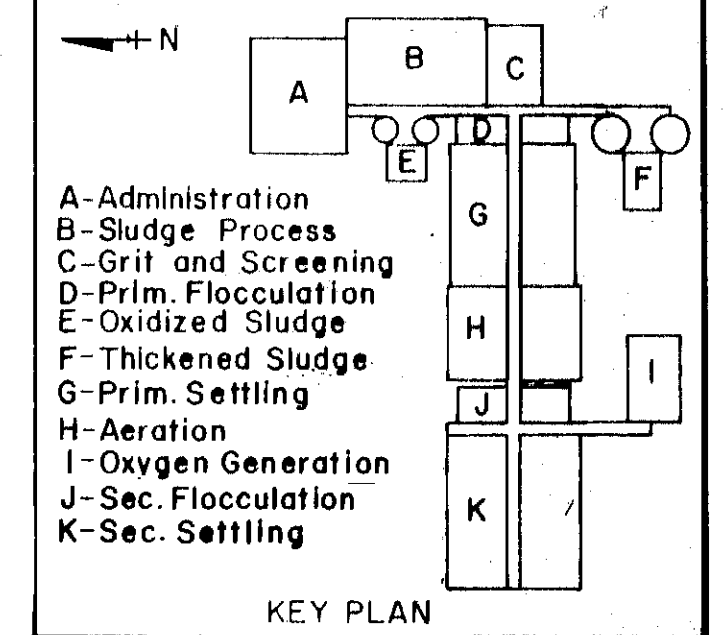


SECTION @ COAT RACK
Scale: 1/2" = 1'-0"

Note: Partitions Designated - - - shall terminate 8" above ceiling height



FIRST FLOOR UNIT "A" REFLECTED CEILING PLAN
Scale: 1/8" = 1'-0"



In charge of: <i>M. Sotphen</i>	NO. DATE REVISION	INIT.
Designed by: <i>ADN</i> Checked by: <i>ADN</i>	2 2/14/78 General Revisions	<i>ADN</i>
Made by: <i>RFB</i>	1 5/4/77 General Revisions	<i>RFB</i>

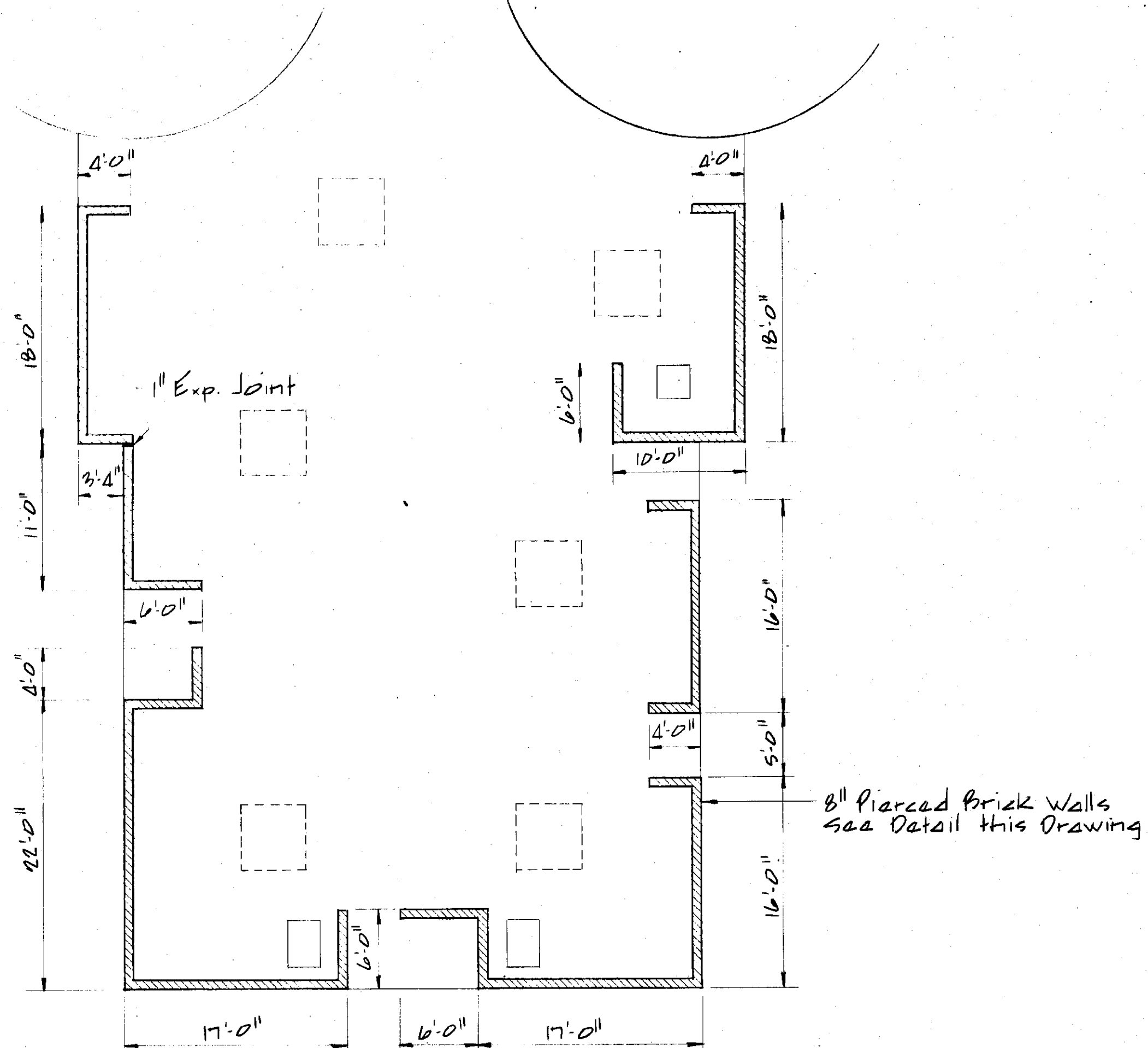


CLAY SANITARY DISTRICT
OAK ORCHARD SERVICE AREA
OAK ORCHARD WATER POLLUTION CONTROL PLANT

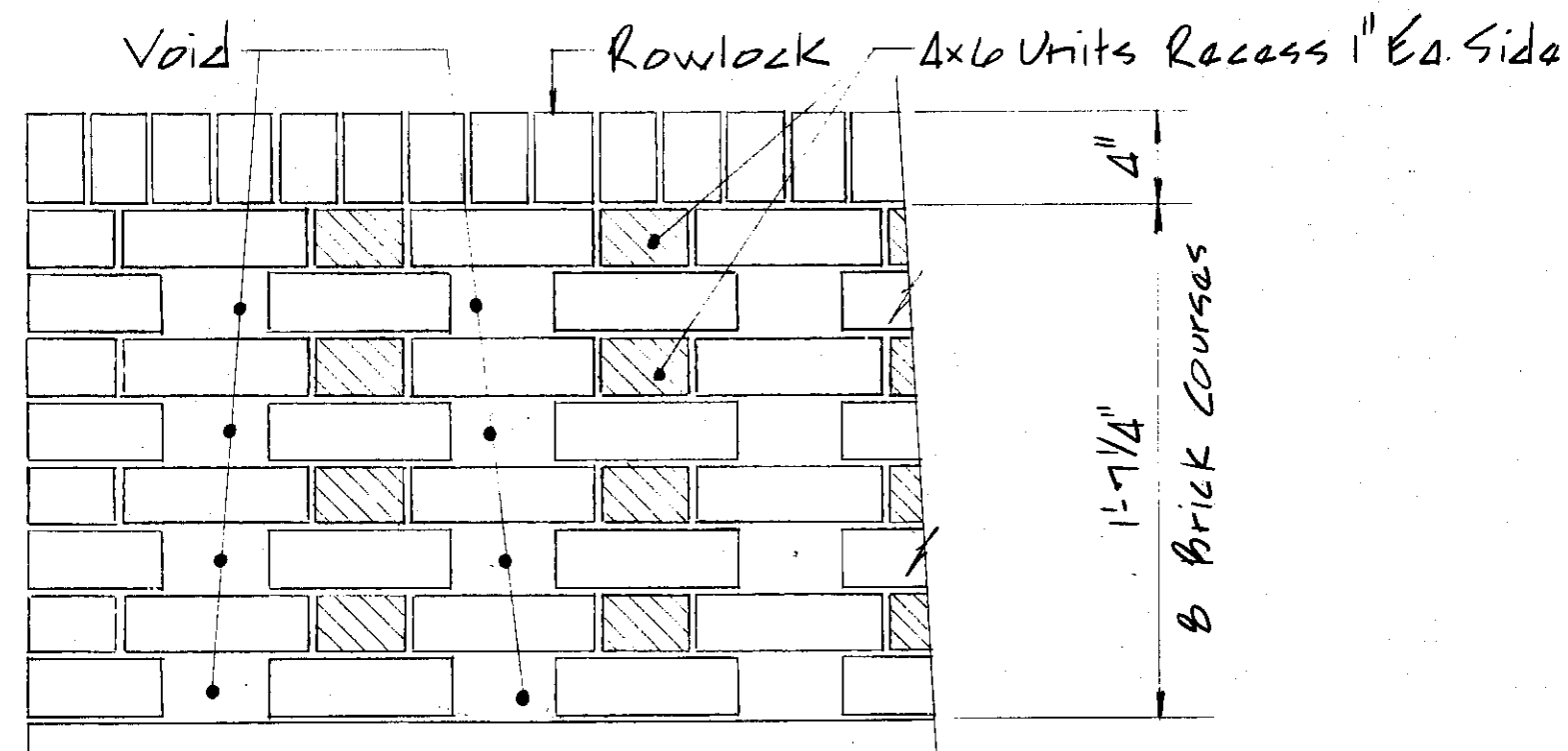
ARCHITECTURAL
FIRST FLOOR - UNIT A
REFLECTED CEILING PLAN

FILE NO. 115.219.090F
DATE JULY 1, 1975
A-30

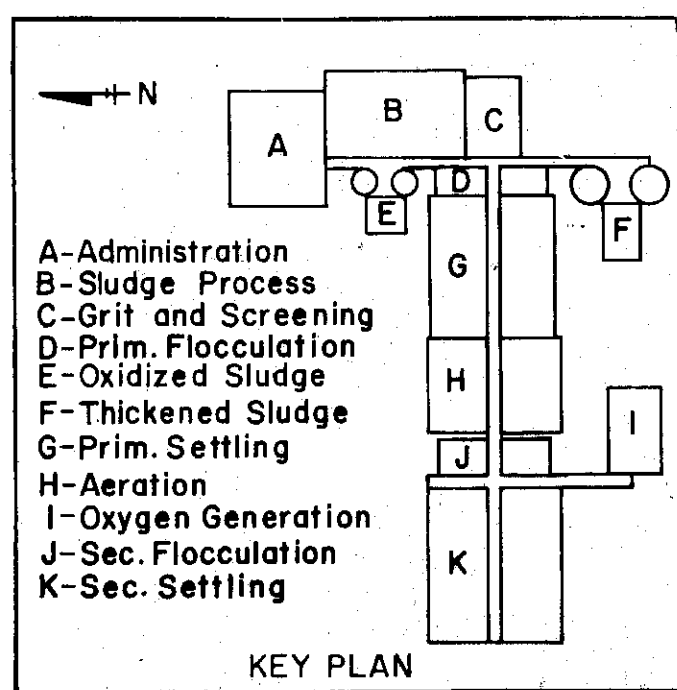
LEGEND	
	Supply Air Register
	Exhaust Grille
	Return Air Grille
	Fluorescent Light Fixture
	Skylight
	Surface Light Fixture
	Plaster Soffit or Ceiling



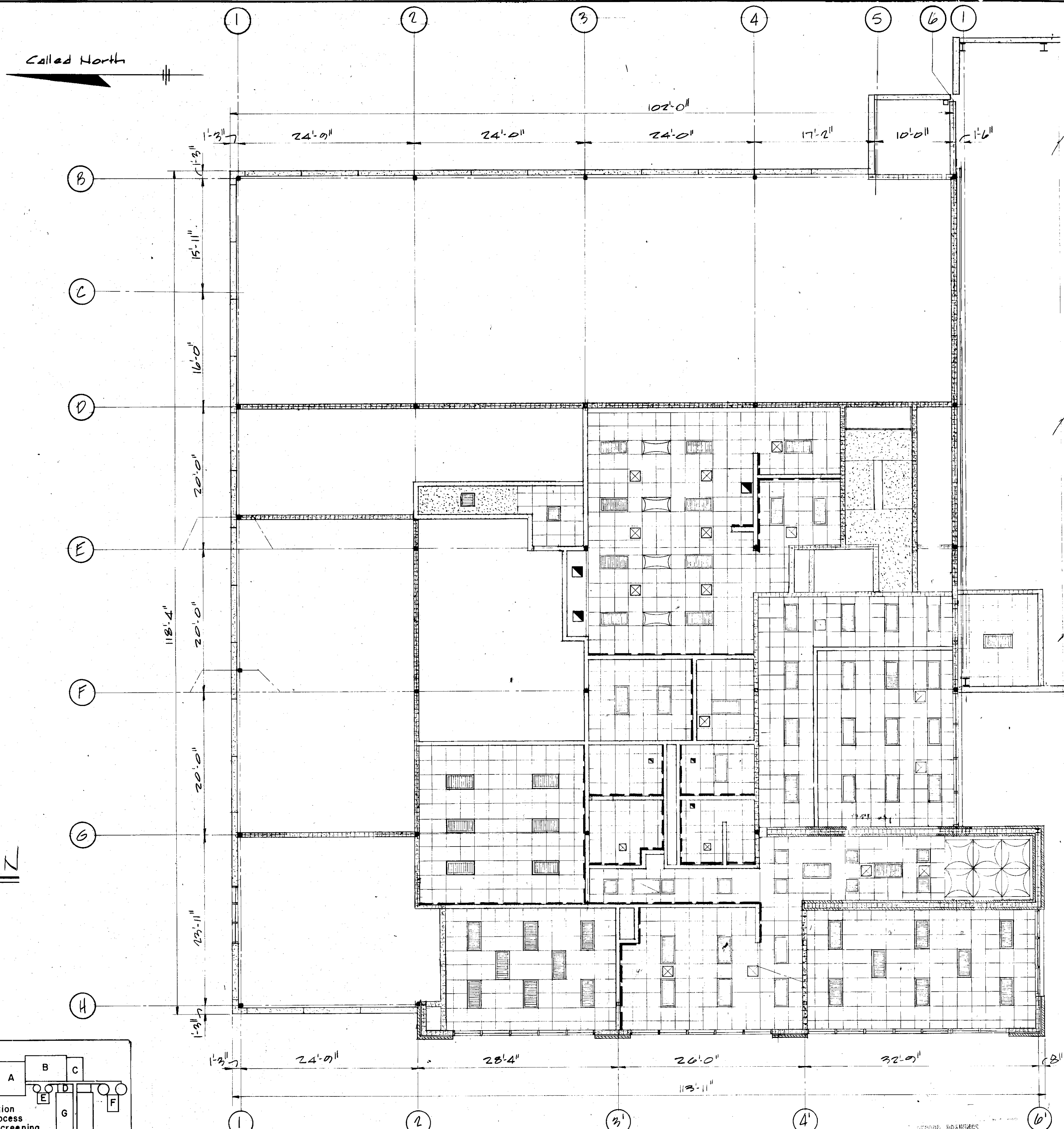
**PIERCED BRICK WALLS AT OXIDIZED
SLUDGE STORAGE TANKS UNIT E" PARTIAL PLAN**
Scale: 1/8" = 1'-0"



PIERCED BRICK WALL DETAIL
Scale: 1/2" = 1'-0"

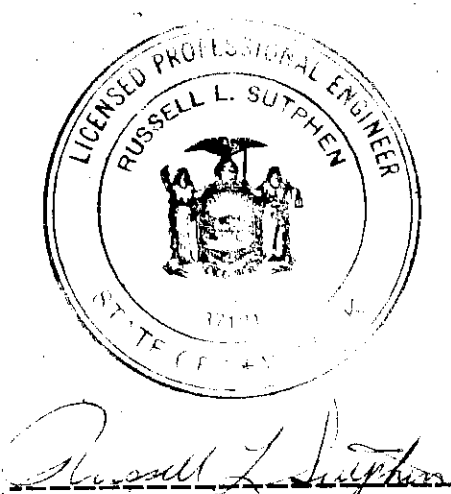


KEY PLAN



Note:
Partitions Designated ---
shall Terminate 8" Above
Ceiling Height

**2ND FLOOR UNIT A"
REFLECTED CEILING PLAN**
Scale: 1/8" = 1'-0"



NO.	DATE	REVISION	INIT.
2	2/14/78	General Revisions	
1	3/1/77	General Revisions	

O'BRIEN & GERE
ENGINEERS, INC.
Syracuse, New York

CLAY SANITARY DISTRICT
OAK ORCHARD SERVICE AREA
OAK ORCHARD WATER POLLUTION CONTROL PLANT

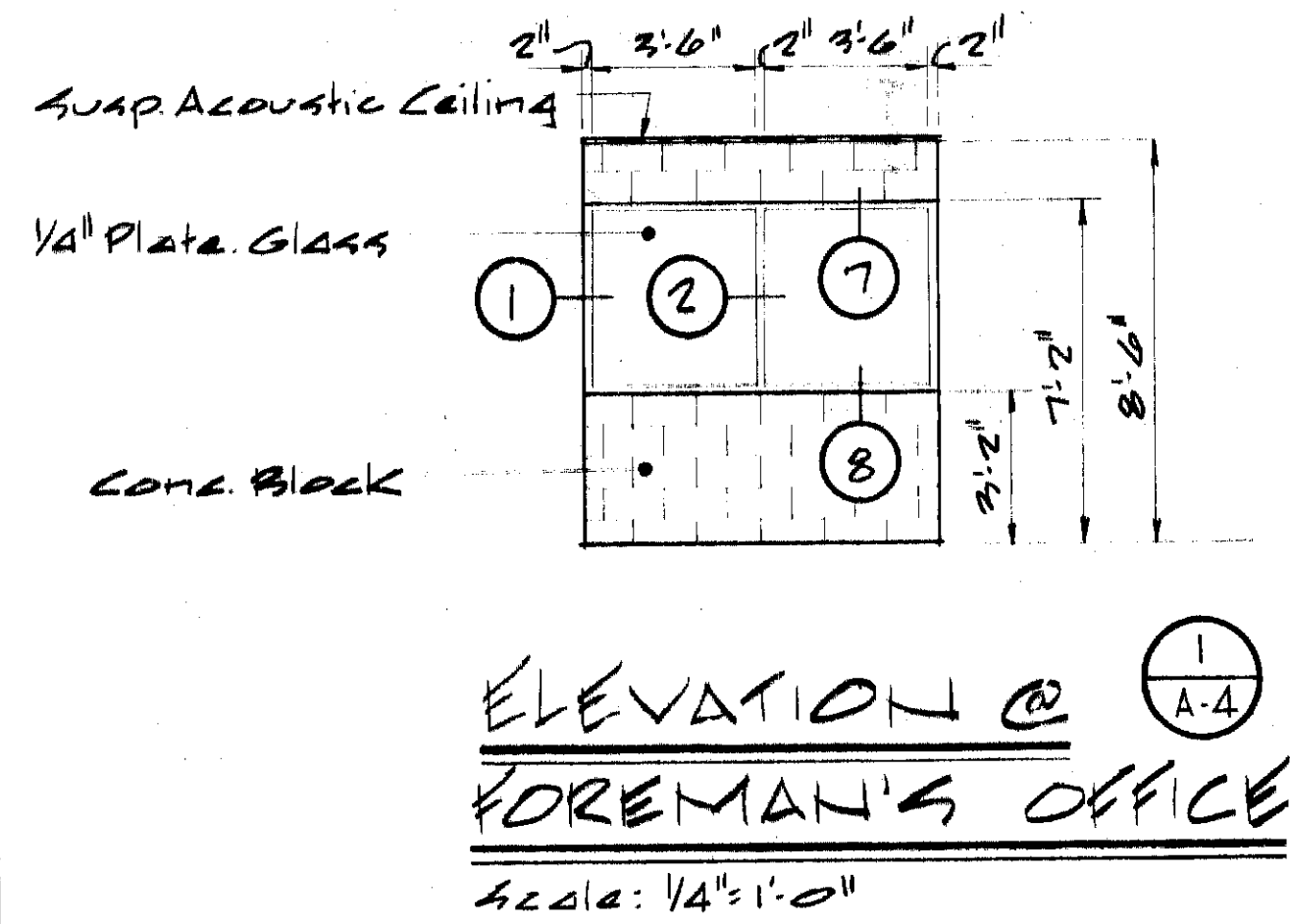
ARCHITECTURAL
SECOND FLOOR - UNIT A
REFLECTED CEILING PLAN

FILE NO. 115.219.091F	A-31
DATE JULY 1, 1975	

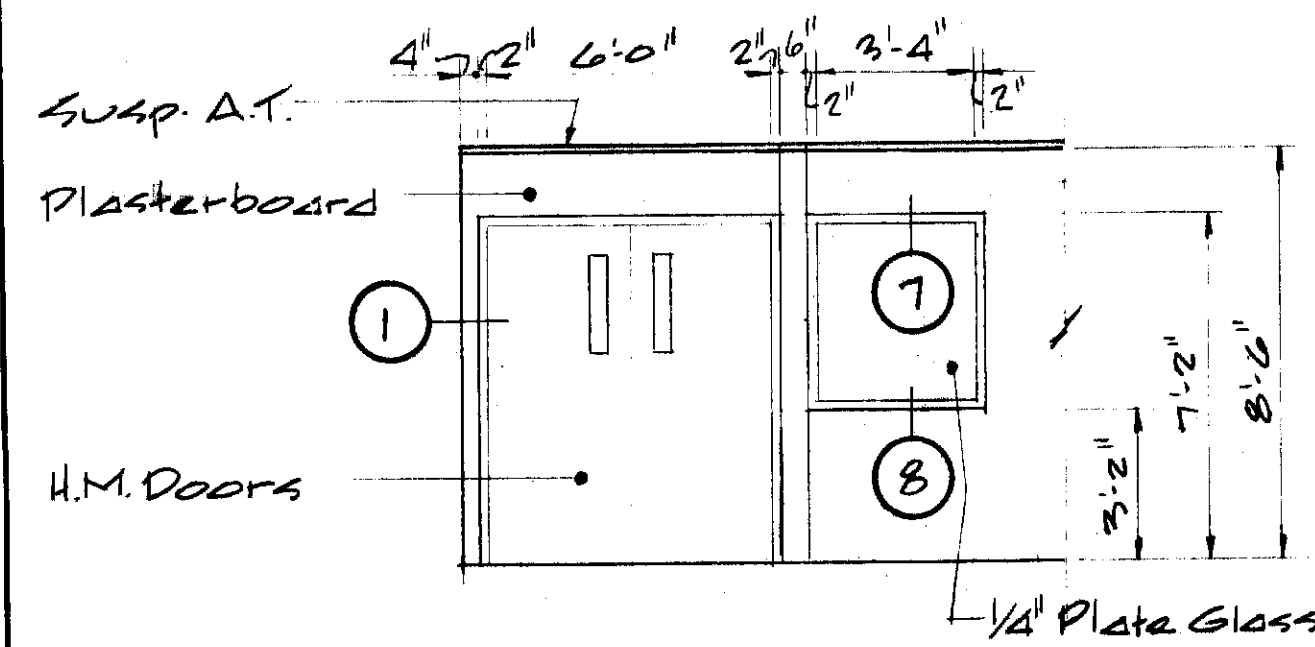
ALB

TYPICAL HOLLOW METAL WINDOW DETAILS

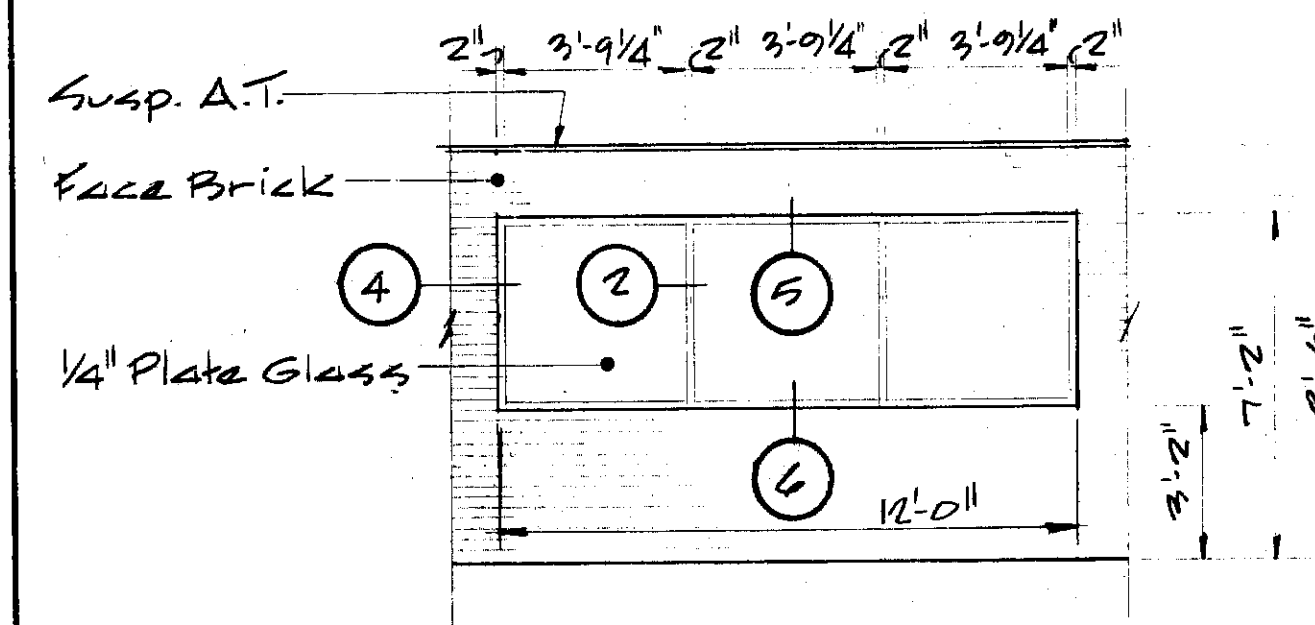
Scale: 1/2" = 1'-0"



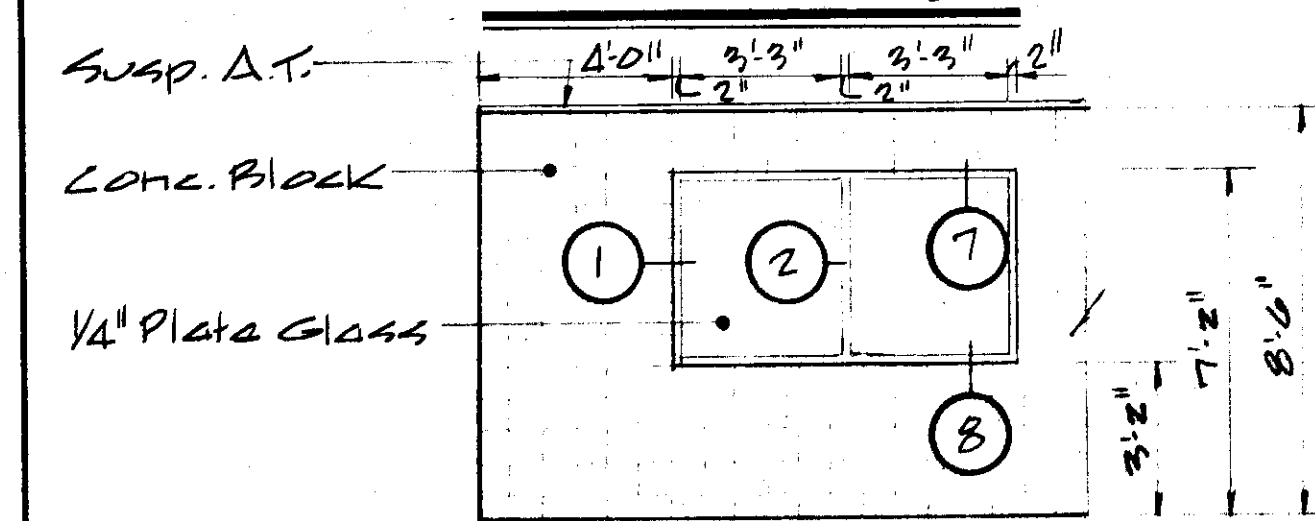
ELEVATION @ FOREMAN'S OFFICE
Scale: 1/4" = 1'-0"



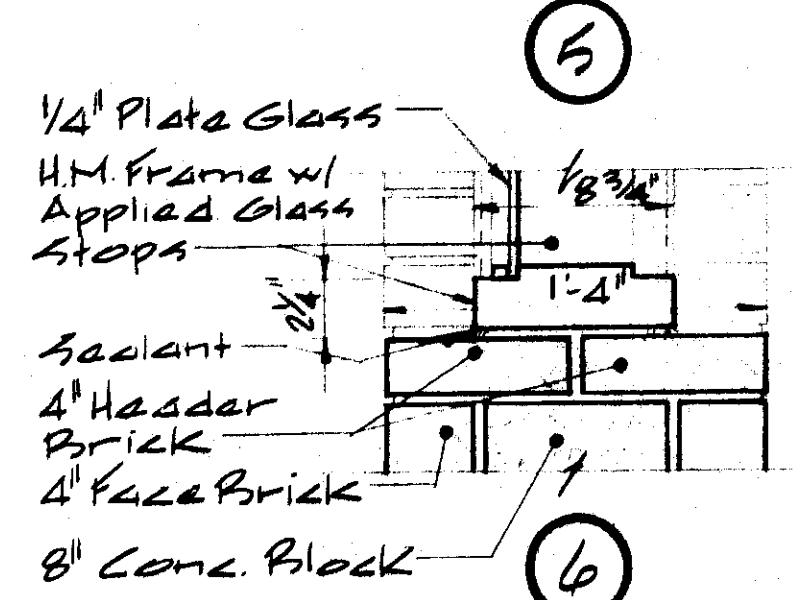
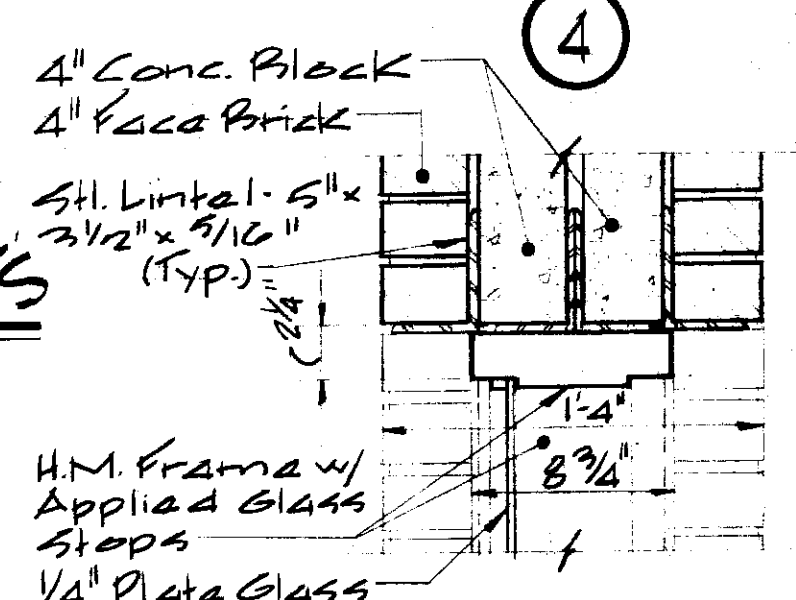
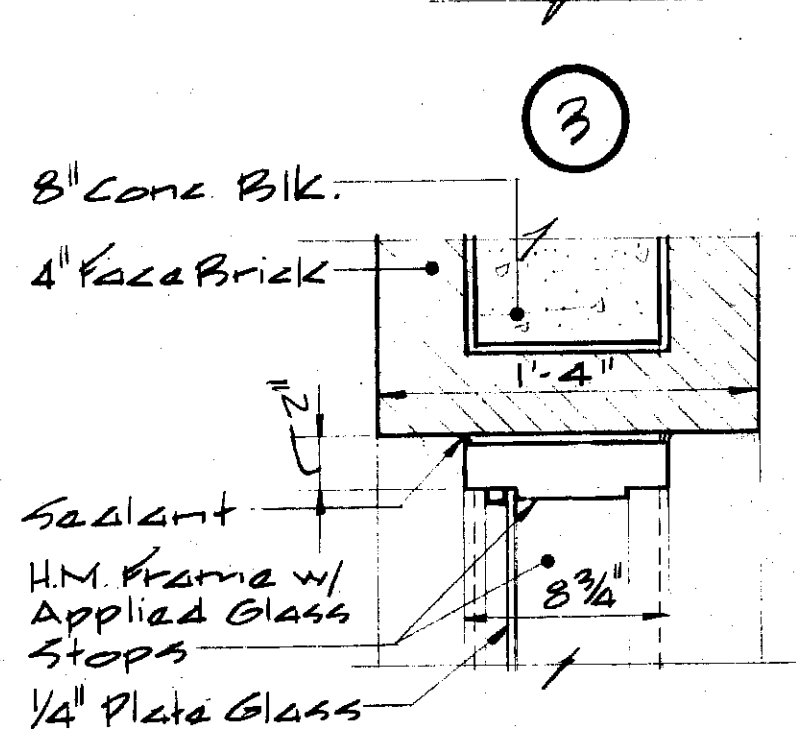
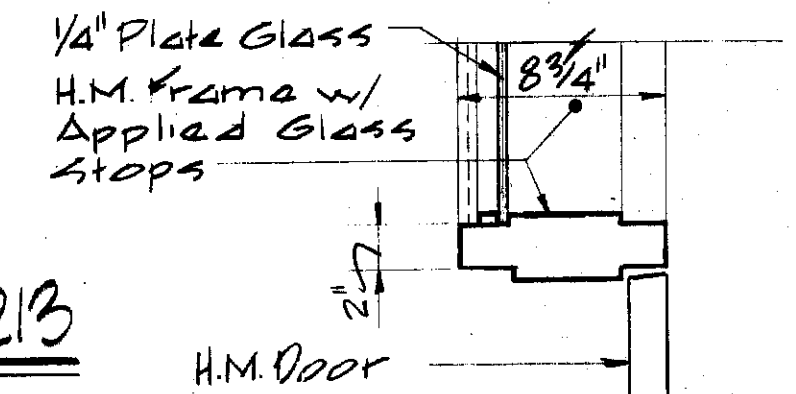
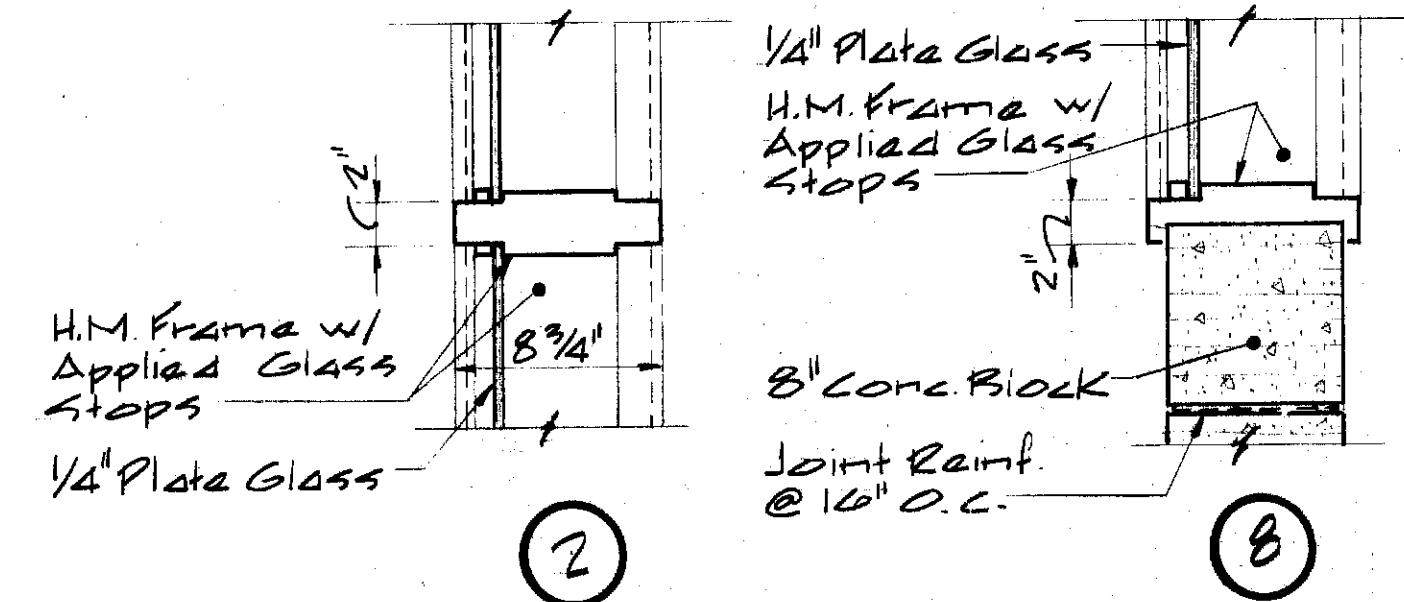
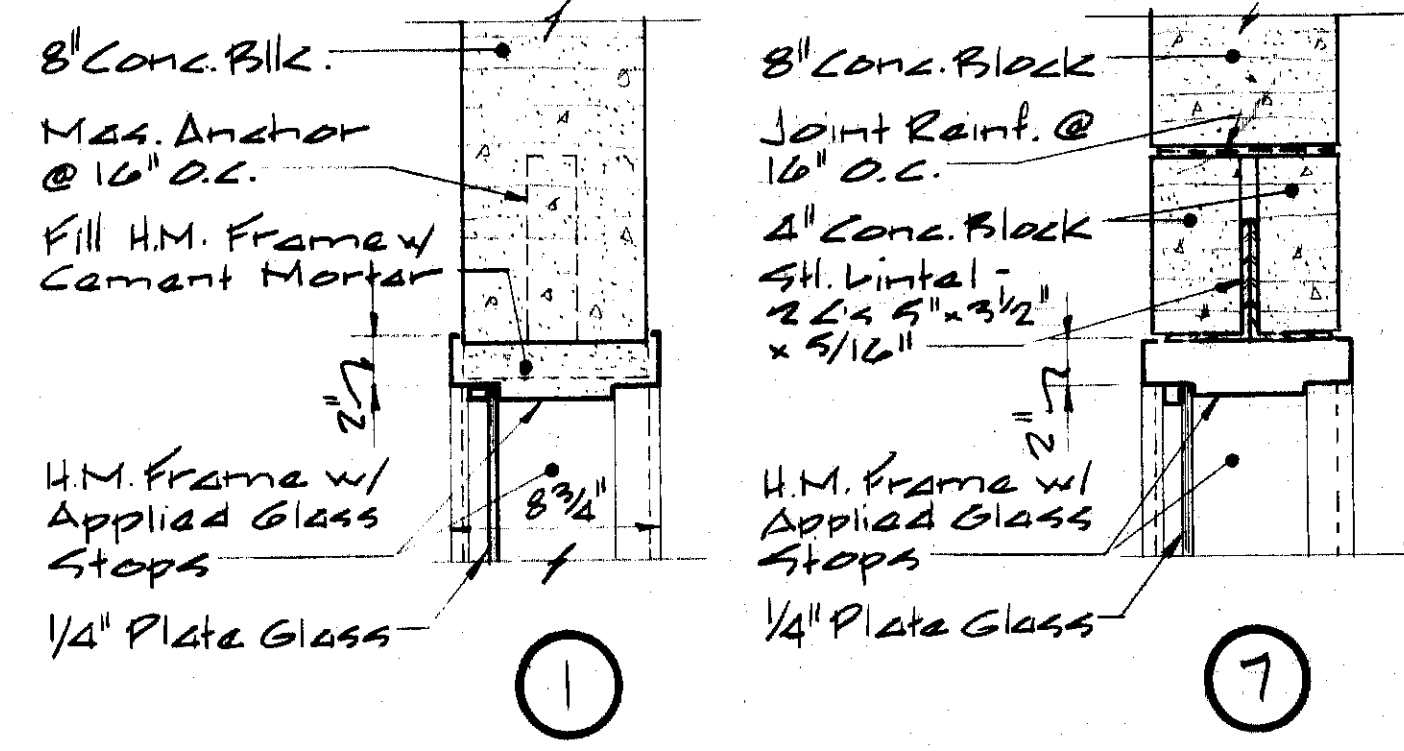
ELEVATION @ PLANT CONTROL ROOM #213
Scale: 1/4" = 1'-0"
Frame width shall be 9 1/2" where 3/4" plasterboard is scheduled



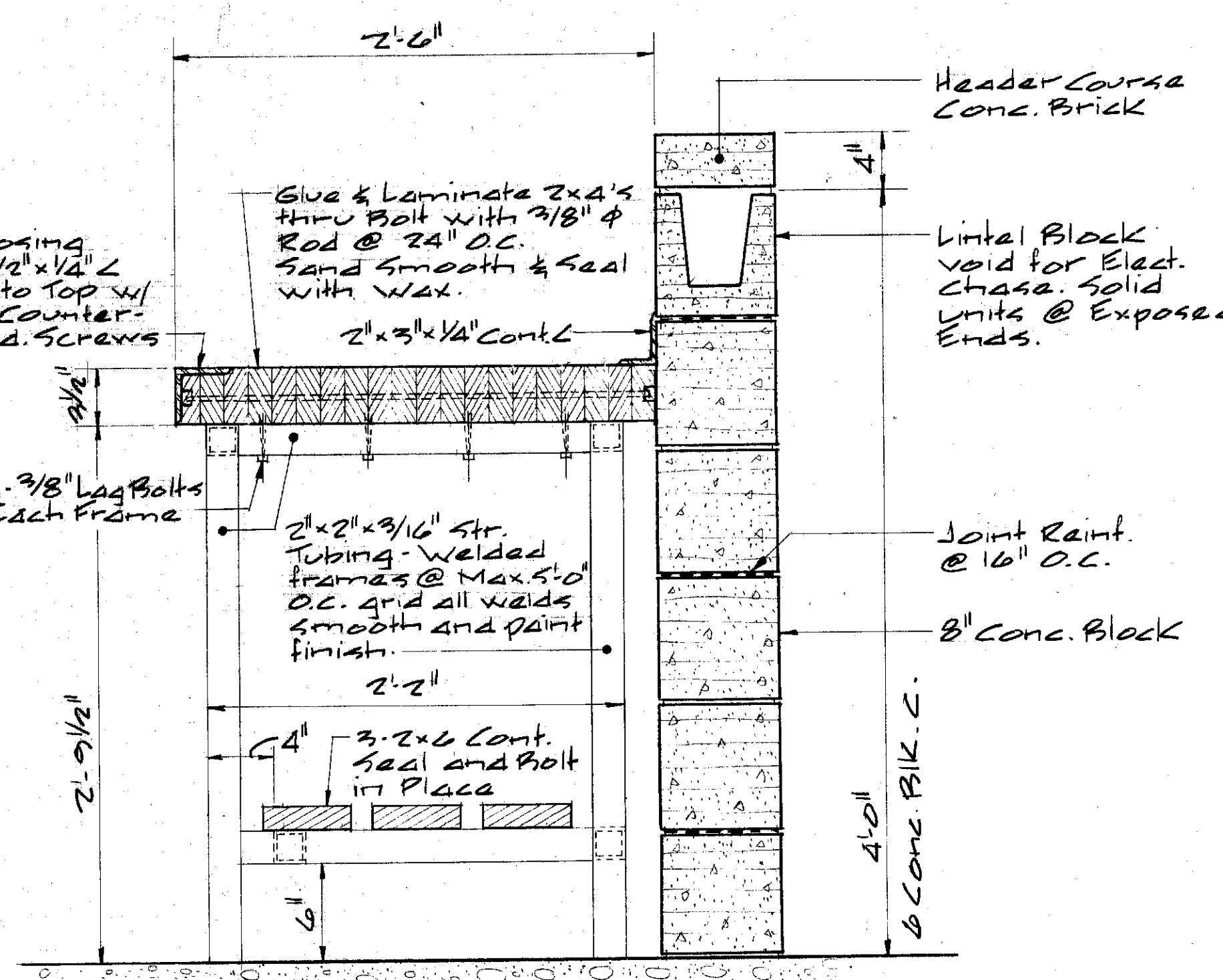
ELEVATION @ PLANT CONTROL ROOM #213 & PLANT SUPERINTENDENT'S OFFICE #201
Scale: 1/4" = 1'-0"



ELEVATION @ VESTIBULE #232
Scale: 1/4" = 1'-0"



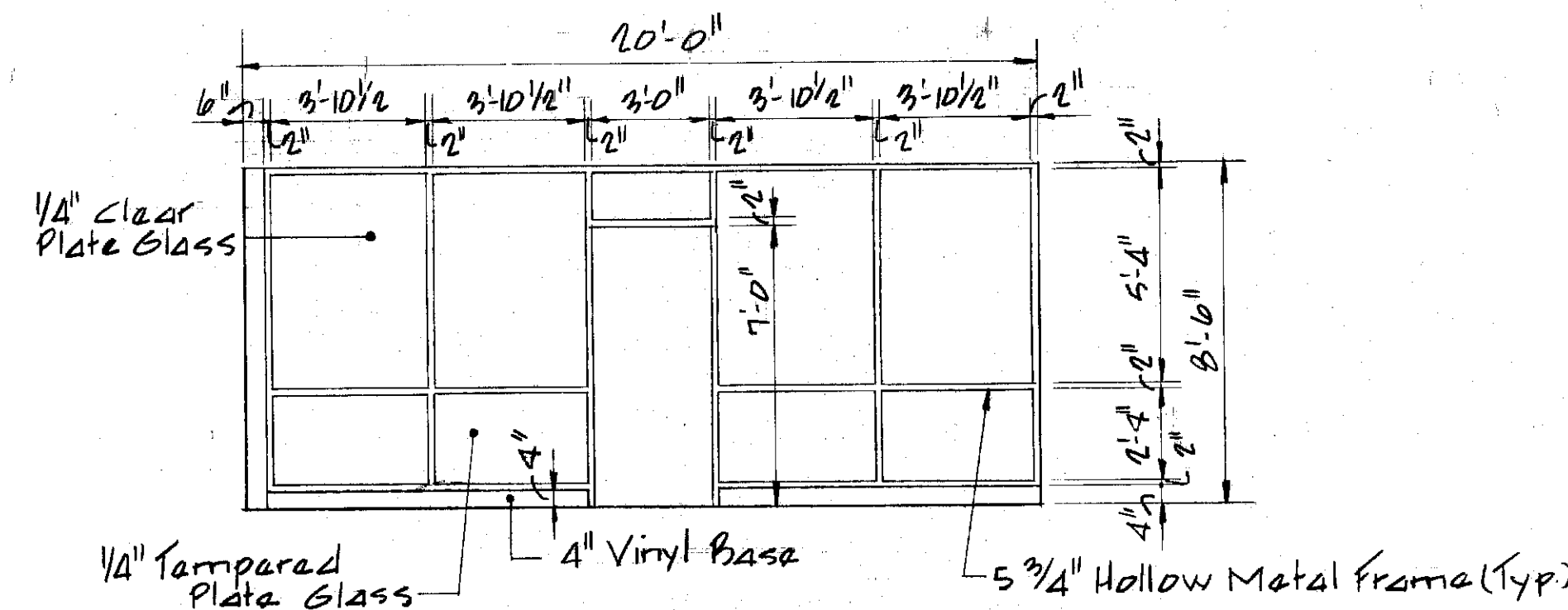
Cont. Nosing 3/2" x 3/2" x 1/2" L Fasten to Top w/ #12 P.H. Counter-sunk wd. screws



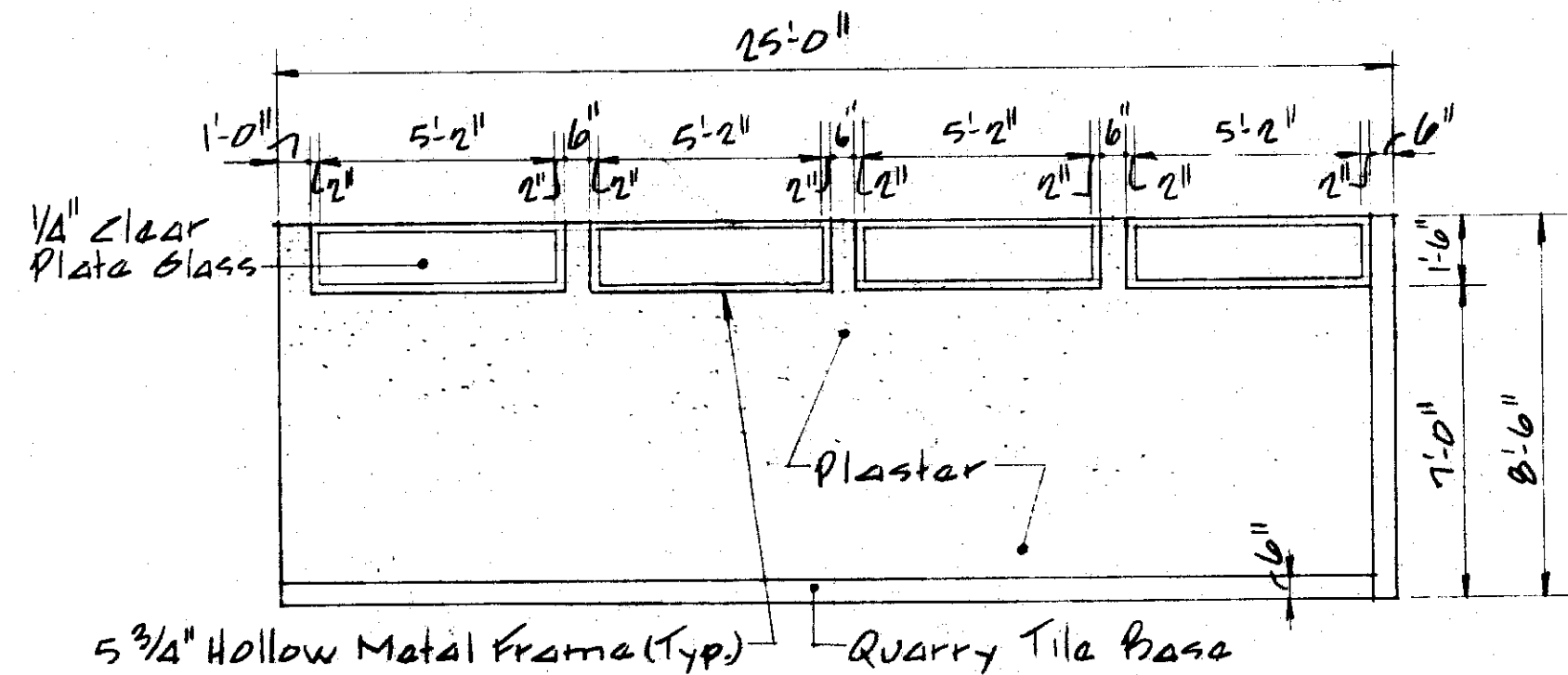
WORK BENCH DETAIL

Scale: 1/2" = 1'-0"

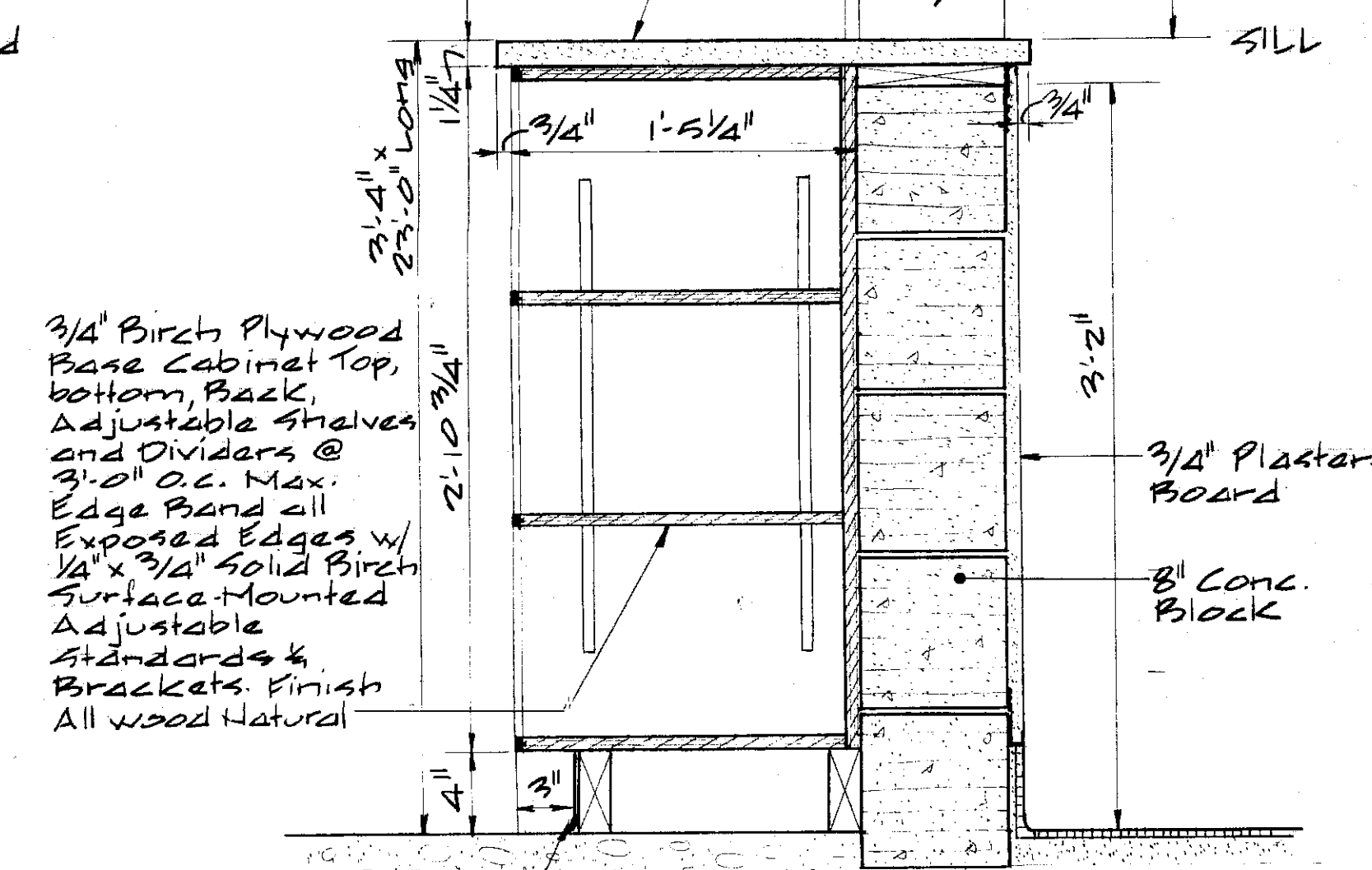
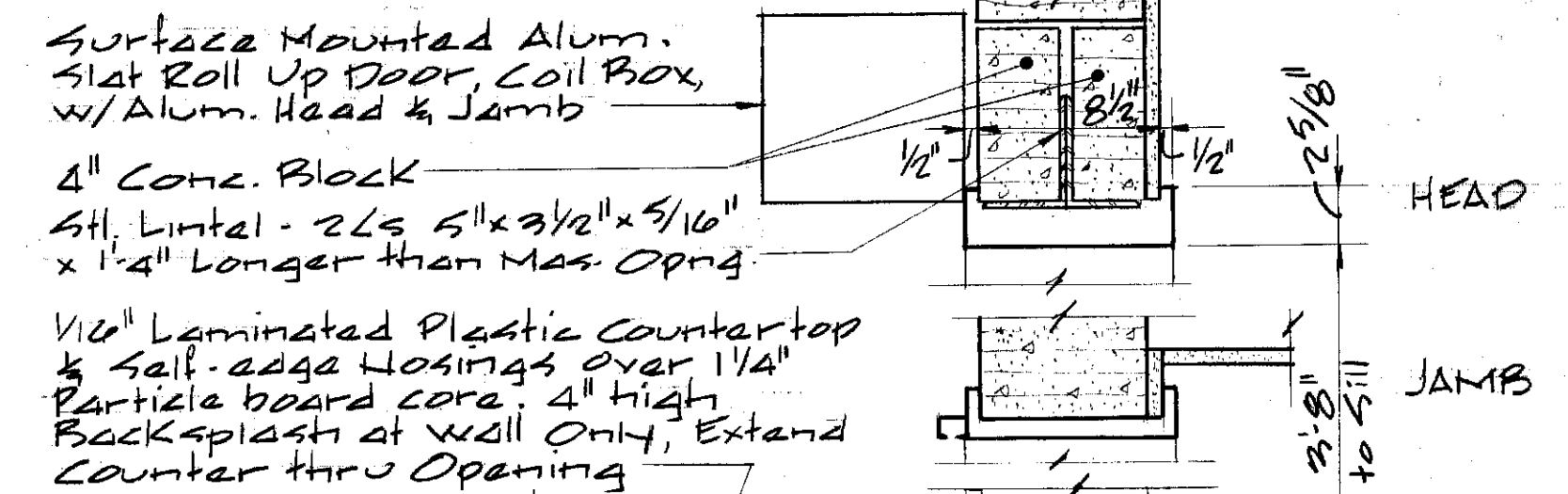
Note: @ Welding Bench, Cover Wood Top with 26 Ga. Galv. Sheet Metal



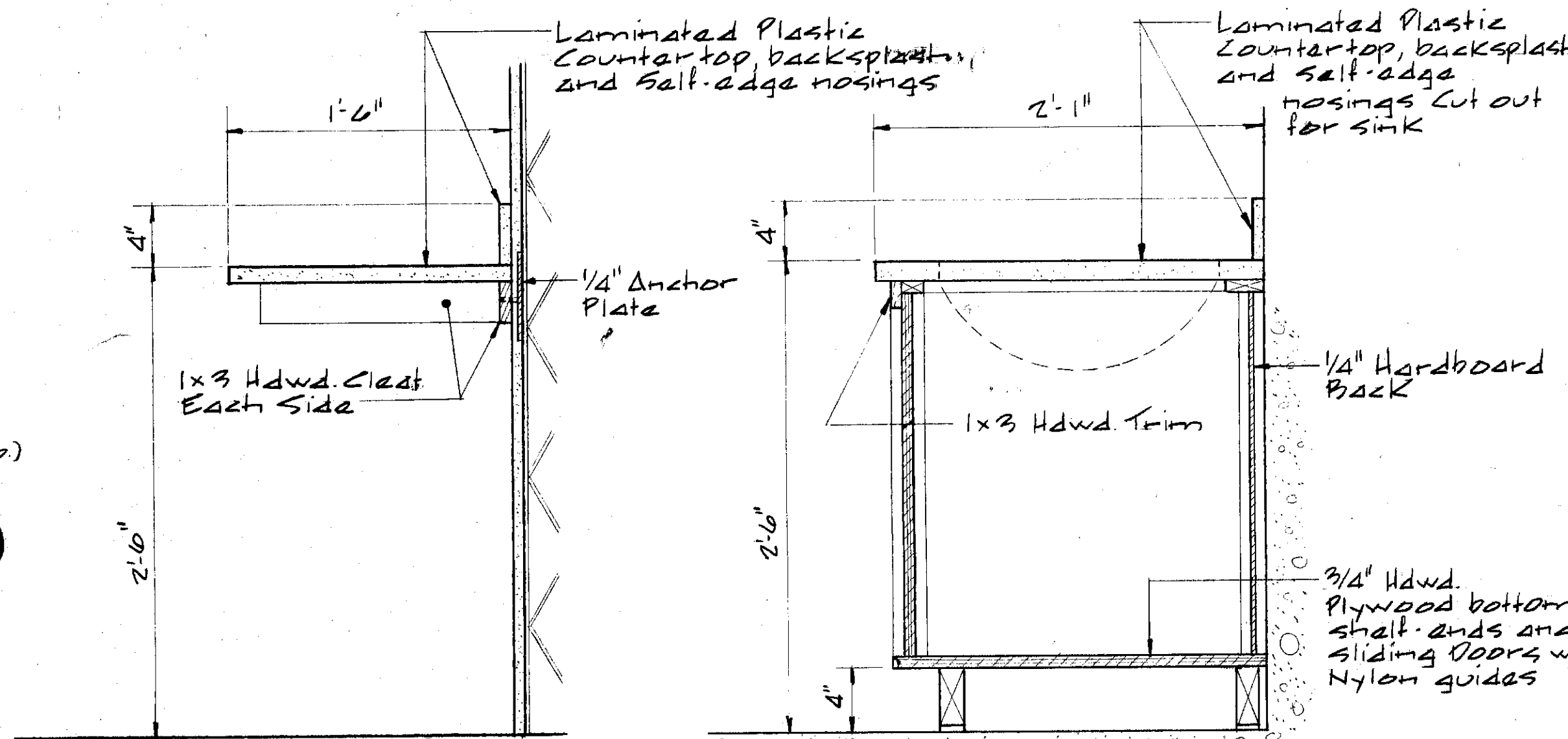
ELEVATION @ PLANT CONTROL ROOM #201
Scale: 1/4" = 1'-0"



ELEVATION @ PLANT CONTROL ROOM #201
Scale: 1/4" = 1'-0"



PARTS COUNTER DETAIL
Scale: 1/2" = 1'-0"
Note: Total Length of Counter shall be 23'-0"

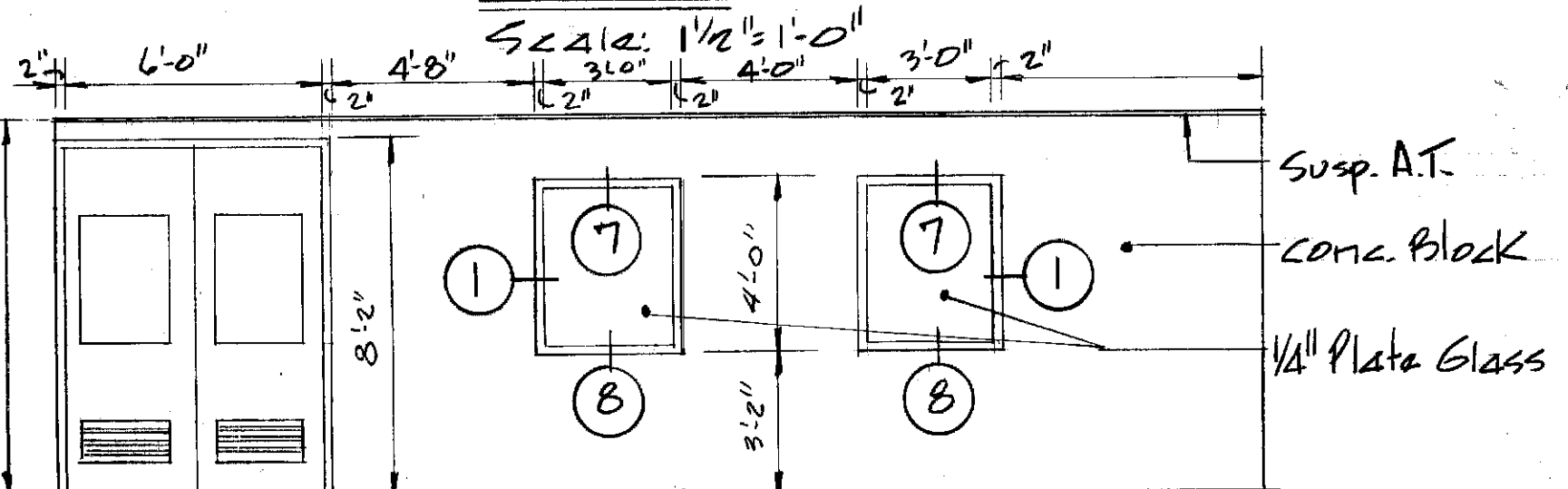


VANITY SHELF DETAIL

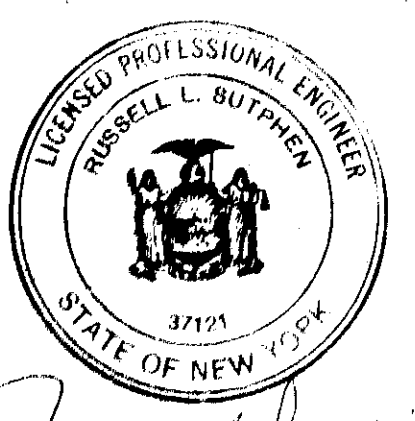
Scale: 1/2" = 1'-0"

Lounga #127 - 6'-8 1/2" Long
Lounga #209 - 6'-8 1/2" Long

LABORATORY COUNTERTOP DETAIL

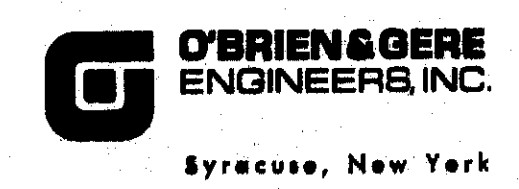


ELEVATION @ SLUDGE PROCESS CONTROL ROOM #152
Scale: 1/4" = 1'-0"



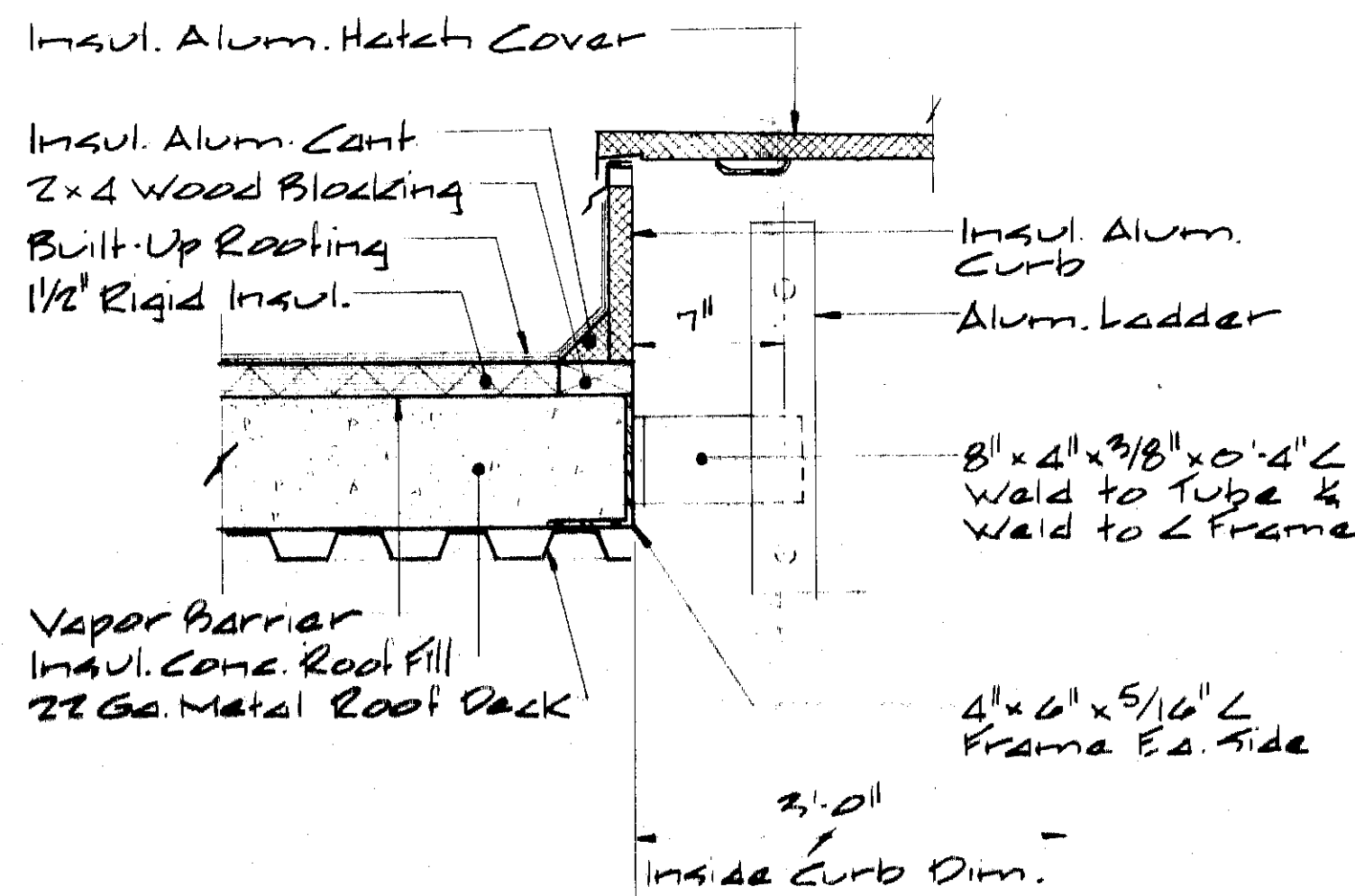
In charge of M. J. Blalock
Designed by W. J. Blalock Checked by A. J. Blalock
Made by RFB

NO.	DATE	REVISION	INIT.
2	2/14/78	General Revisions	WJB
1	3/14/77	General Revisions	WJB

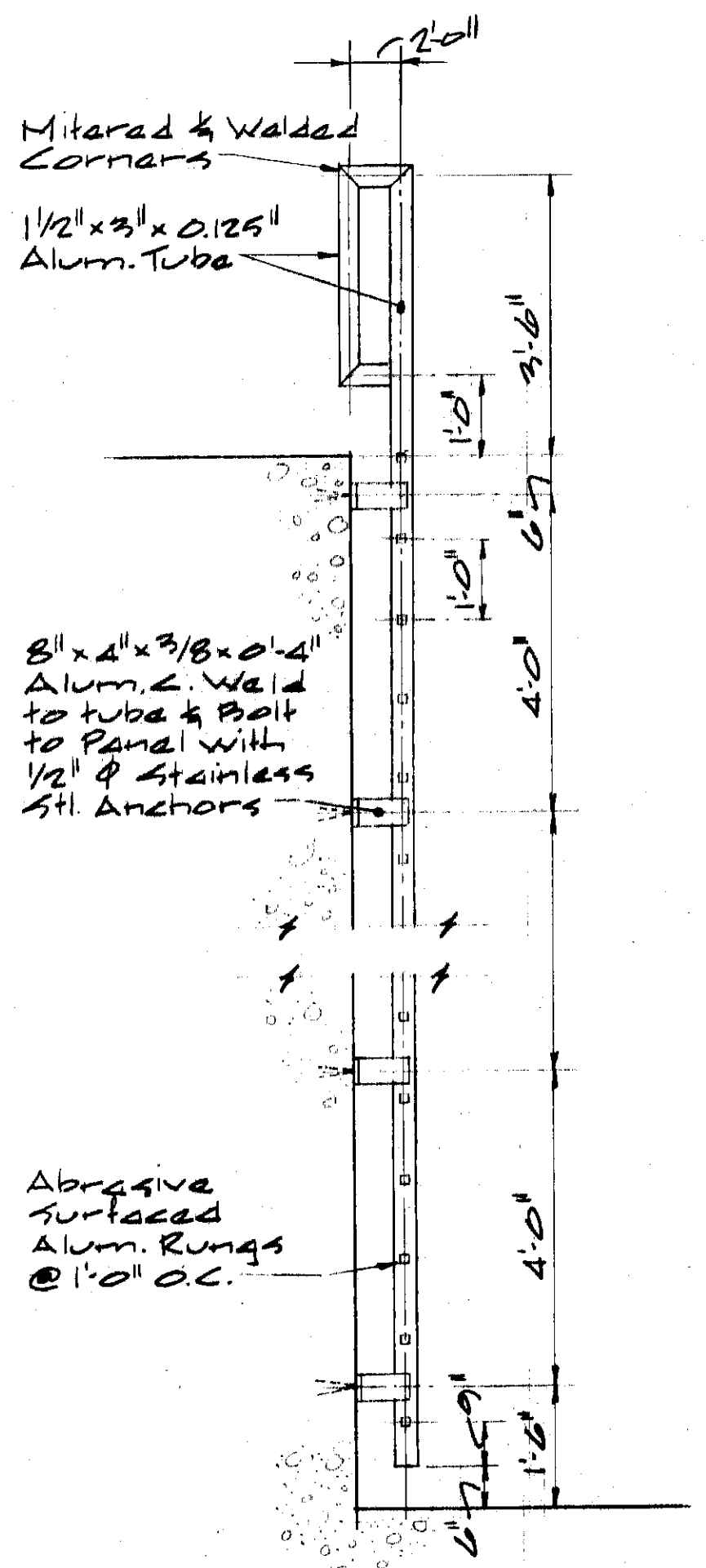


CLAY SANITARY DISTRICT
OAK ORCHARD SERVICE AREA
OAK ORCHARD WATER POLLUTION CONTROL PLANT

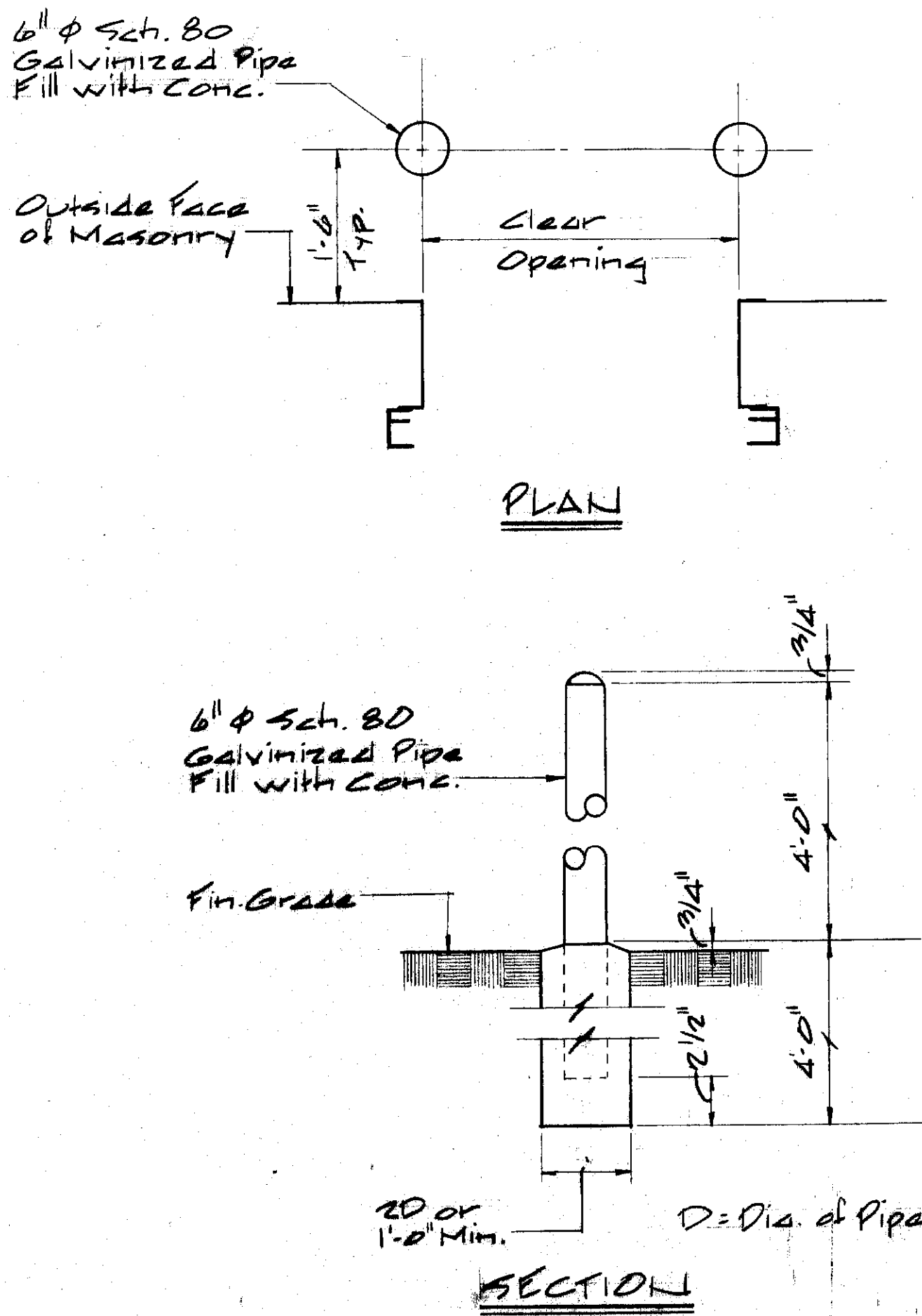
ARCHITECTURAL
MISCELLANEOUS DETAILS
FILE NO. 115.219.092F
DATE JULY 1, 1975
A-32



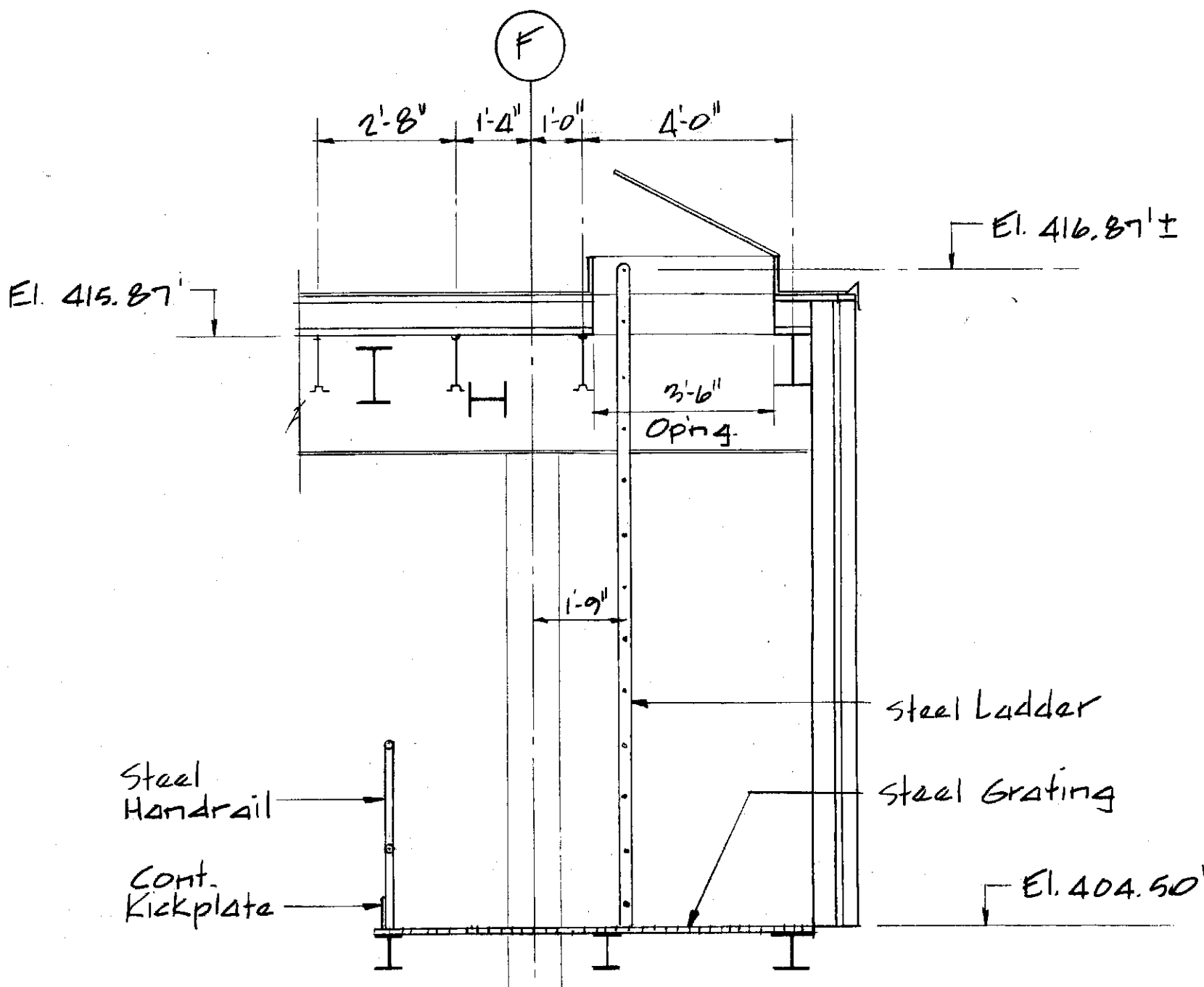
DETAIL A99
Scale: 1/2" = 1'-0"



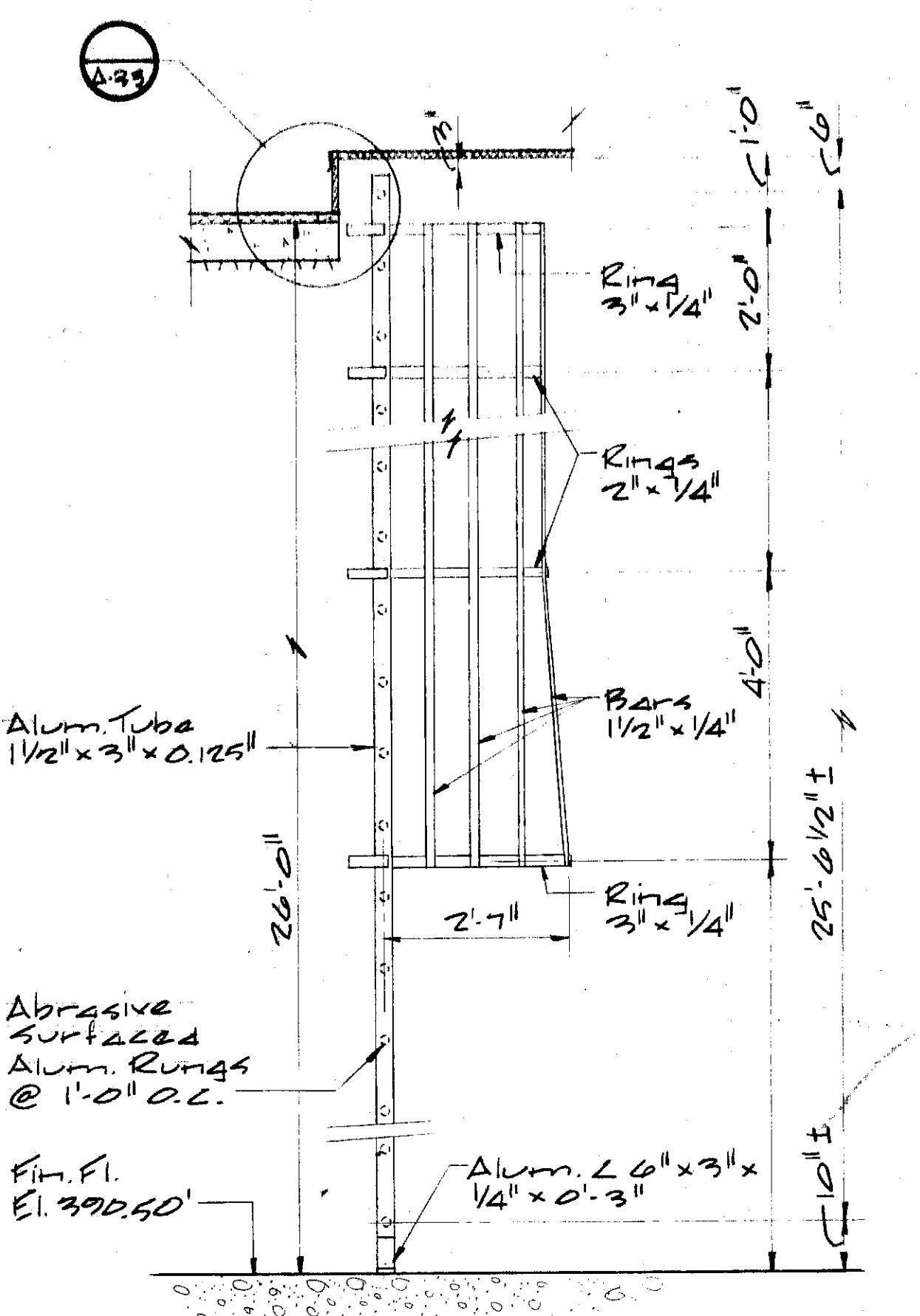
ALUM. LADDER DETAIL
Scale: 1/2" = 1'-0"



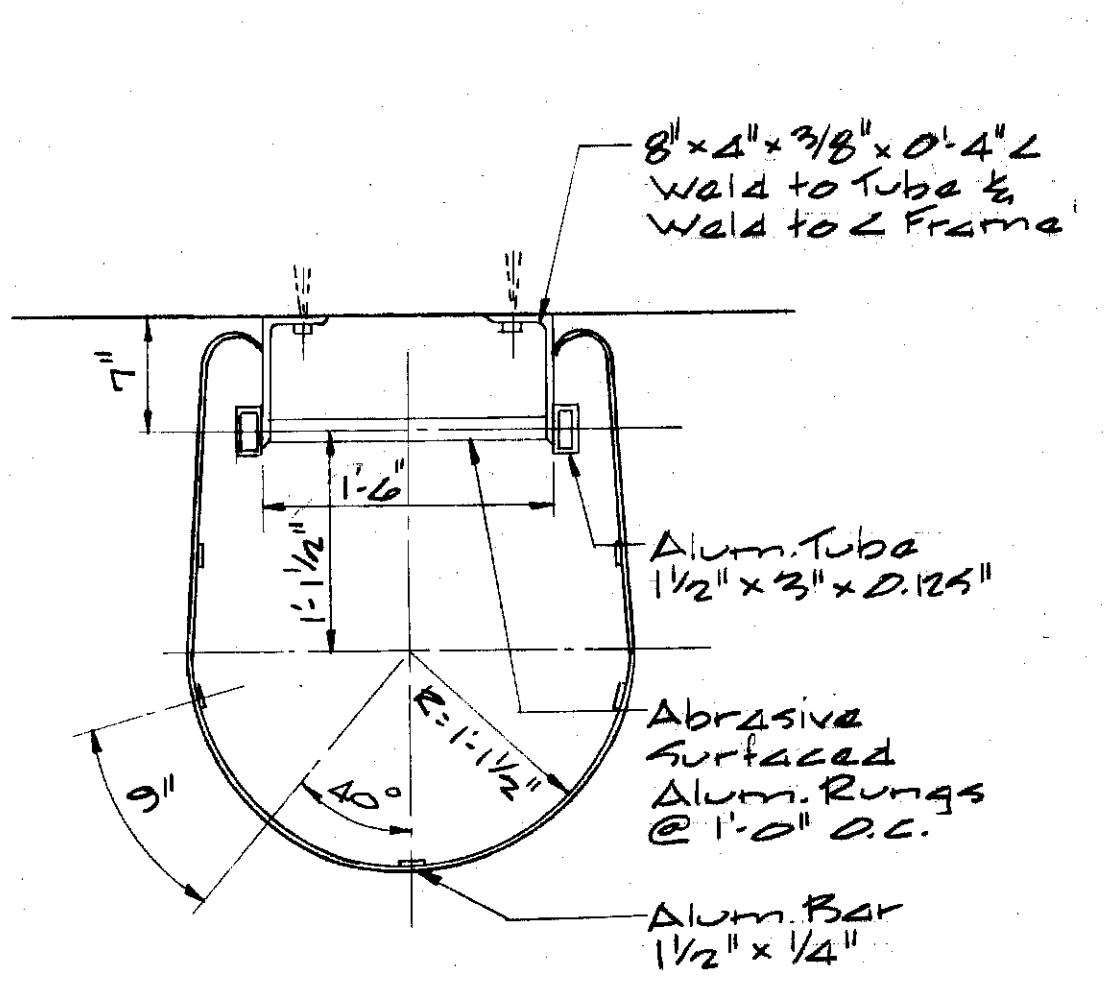
TYP. PIPE GUARD DETAILS
No Scale



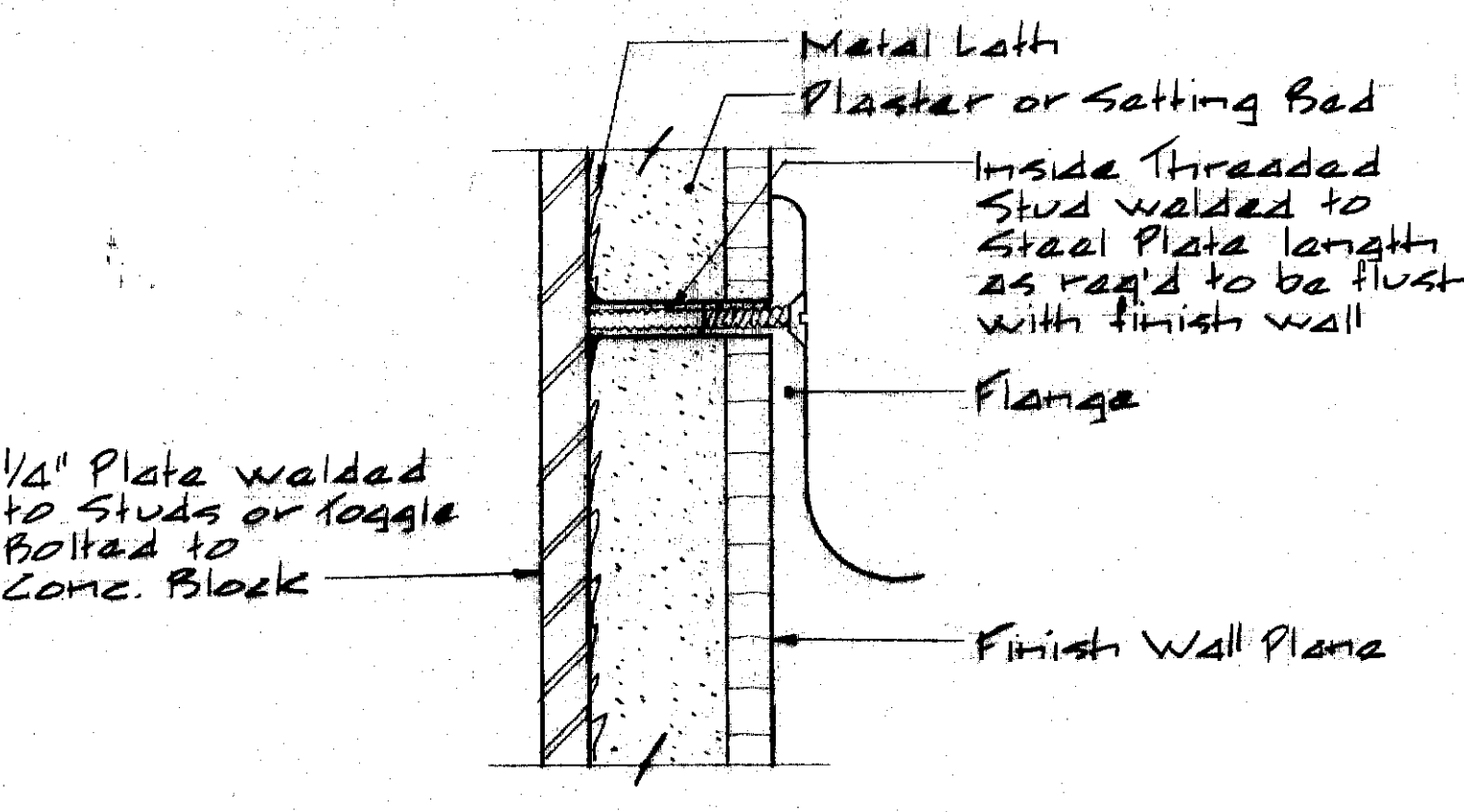
STEEL LADDER DETAIL THROUGH ROOF HATCH @ UNIT "1"
Scale: 3/8" = 1'-0"



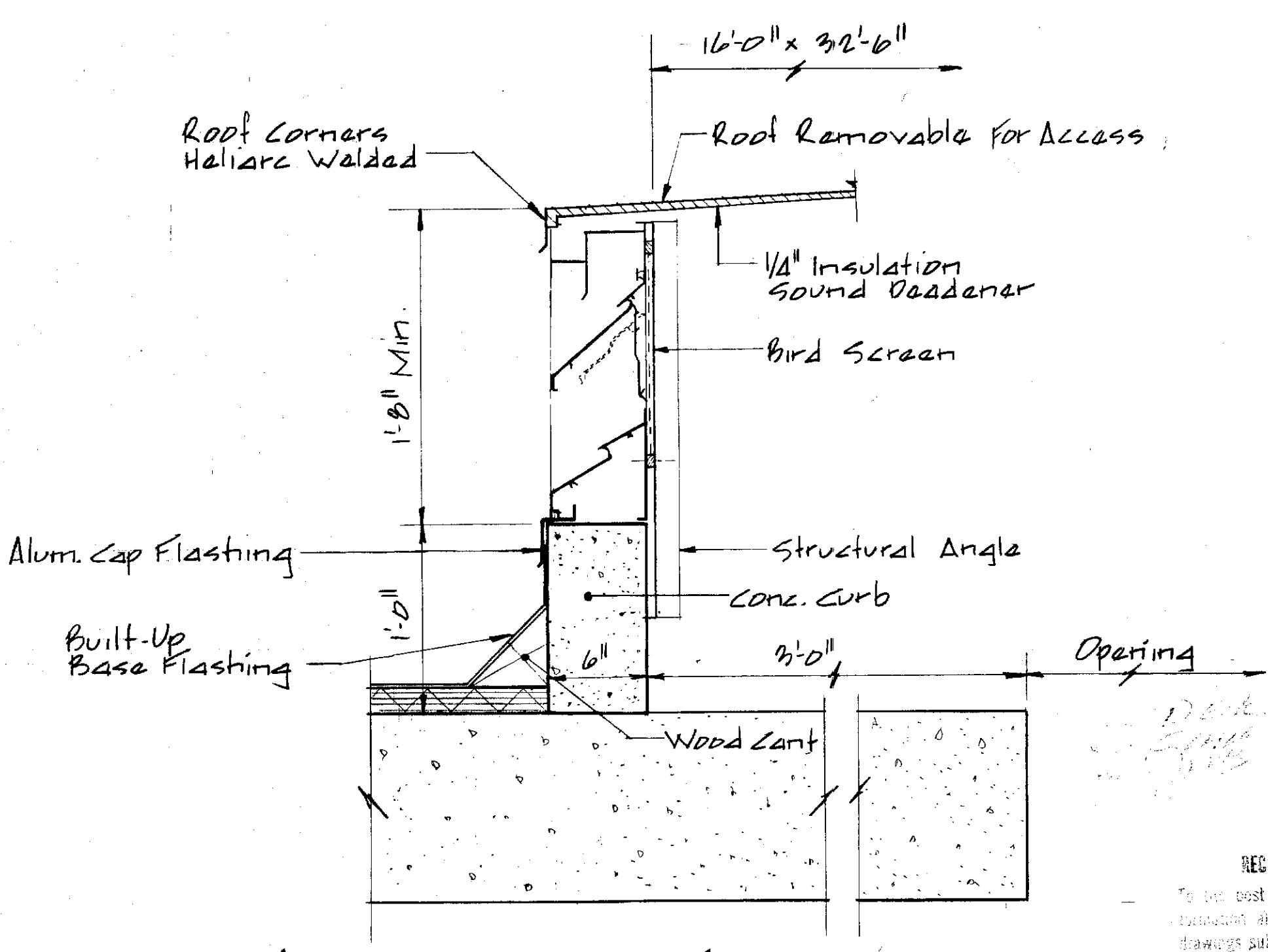
ALUM. LADDER W/CAGE DETAIL THROUGH ROOF HATCH
Scale: 1/2" = 1'-0"



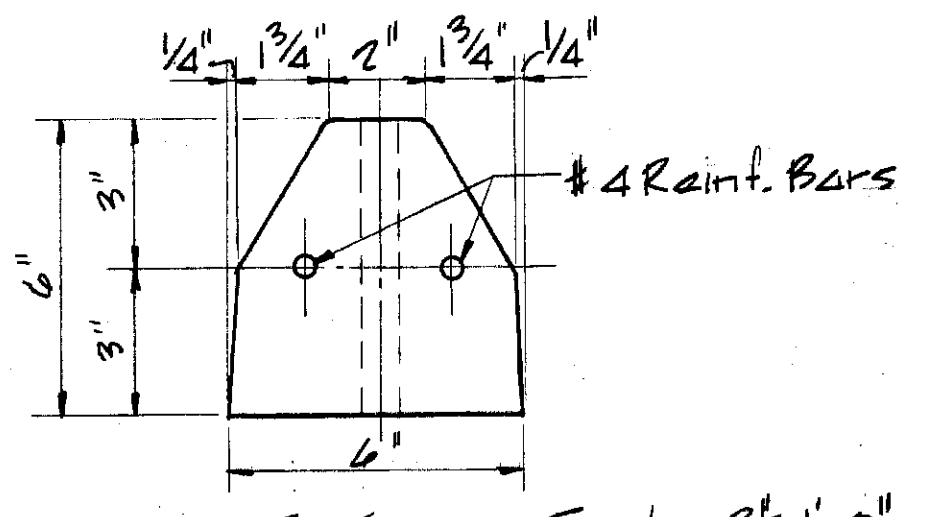
SECTION A99
Scale: 1" = 1'-0"



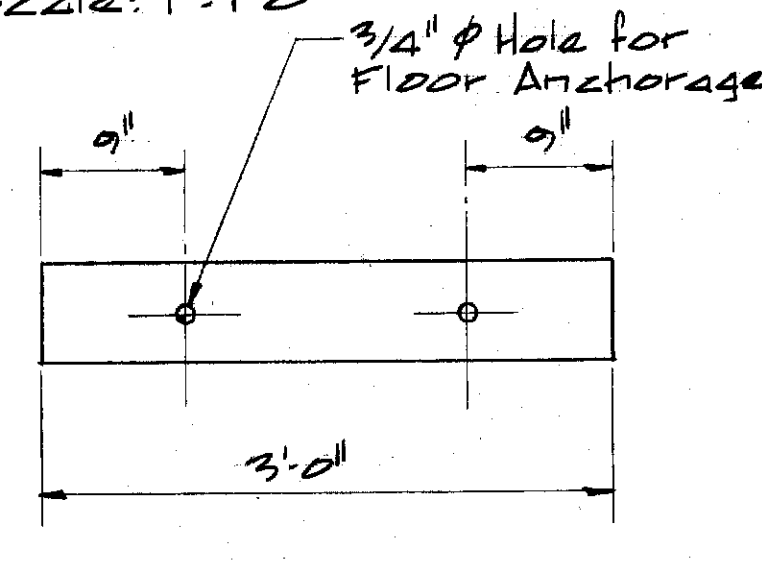
TYPICAL ANCHOR PLATE DETAIL
Scale: Full Size



LOUVERED PENTHOUSE DETAIL
Scale: 1/2" = 1'-0"

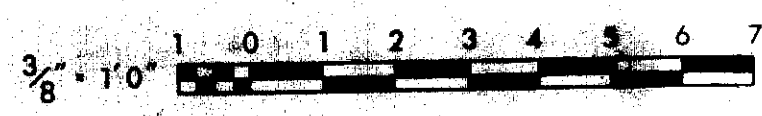


SECTION Scale: 3/8" = 1'-0"

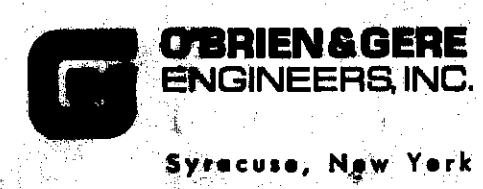


PLAN Scale: 1" = 1'-0"

PRECAST WHEEL STOP DETAILS



In charge of <u>W. Kunitz</u>	NO.	DATE	REVISION	INIT.
Designed by <u>ADW</u> Checked by <u>ADW</u>				
Made by <u>RFB</u>	2	4/14/76	General Revisions	ADW
	7	5/4/77	General Revisions	RFB



CLAY SANITARY DISTRICT
OAK ORCHARD SERVICE AREA
OAK ORCHARD WATER POLLUTION CONTROL PLANT

ARCHITECTURAL
MISCELLANEOUS DETAILS

FILE NO. 115.219.093F	A-33
DATE JULY 1, 1975	

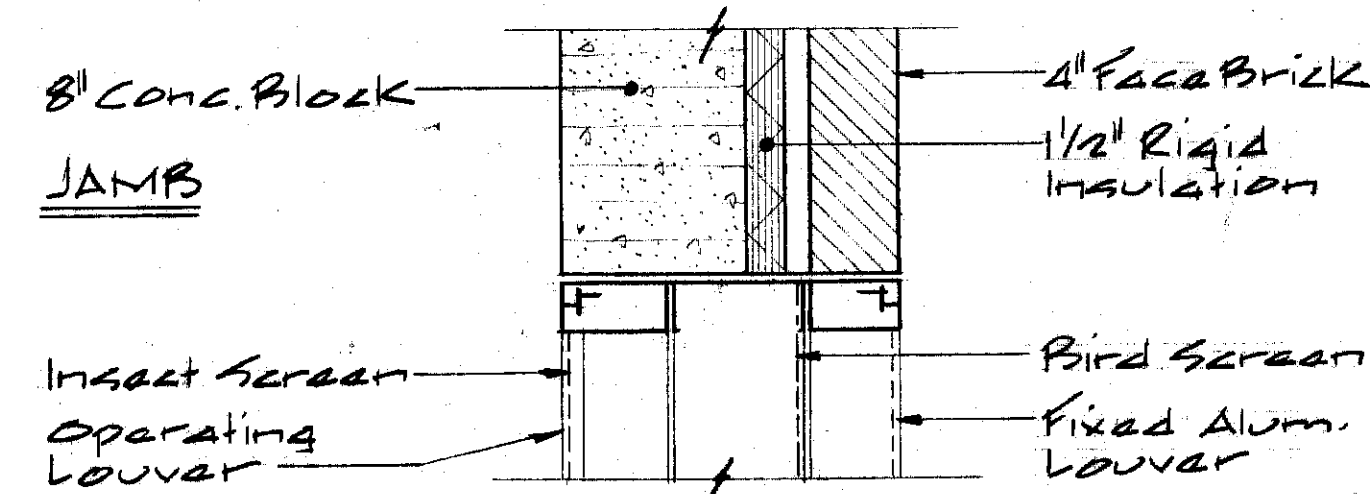
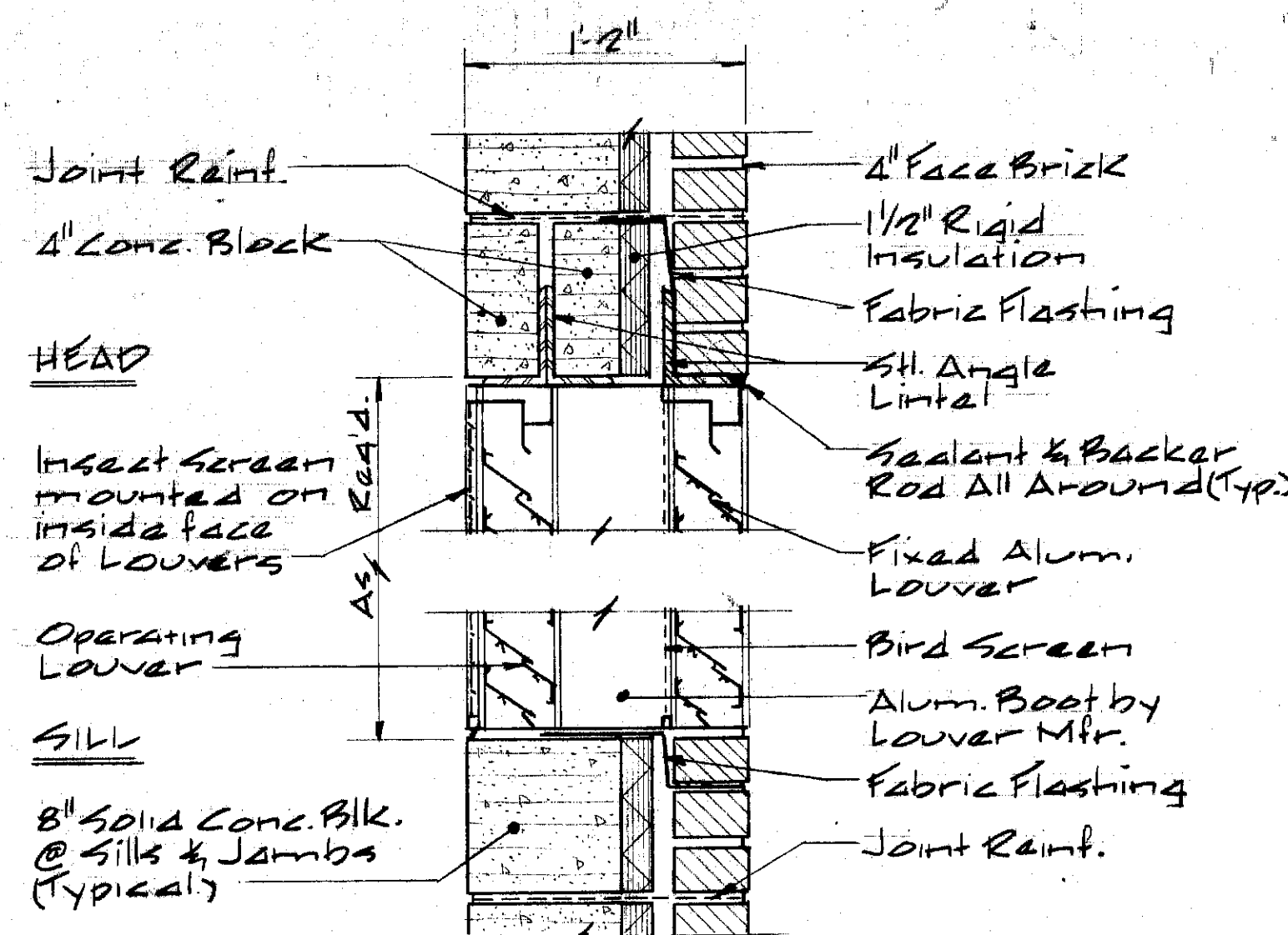
RECORD DRAWINGS
To the best of our knowledge, information and belief, these record drawings substantially represent the project as constructed.
O'BRIEN & GERE ENGINEERS, INC.
By: Bill Gero

AR

LOUVER SCHEDULE

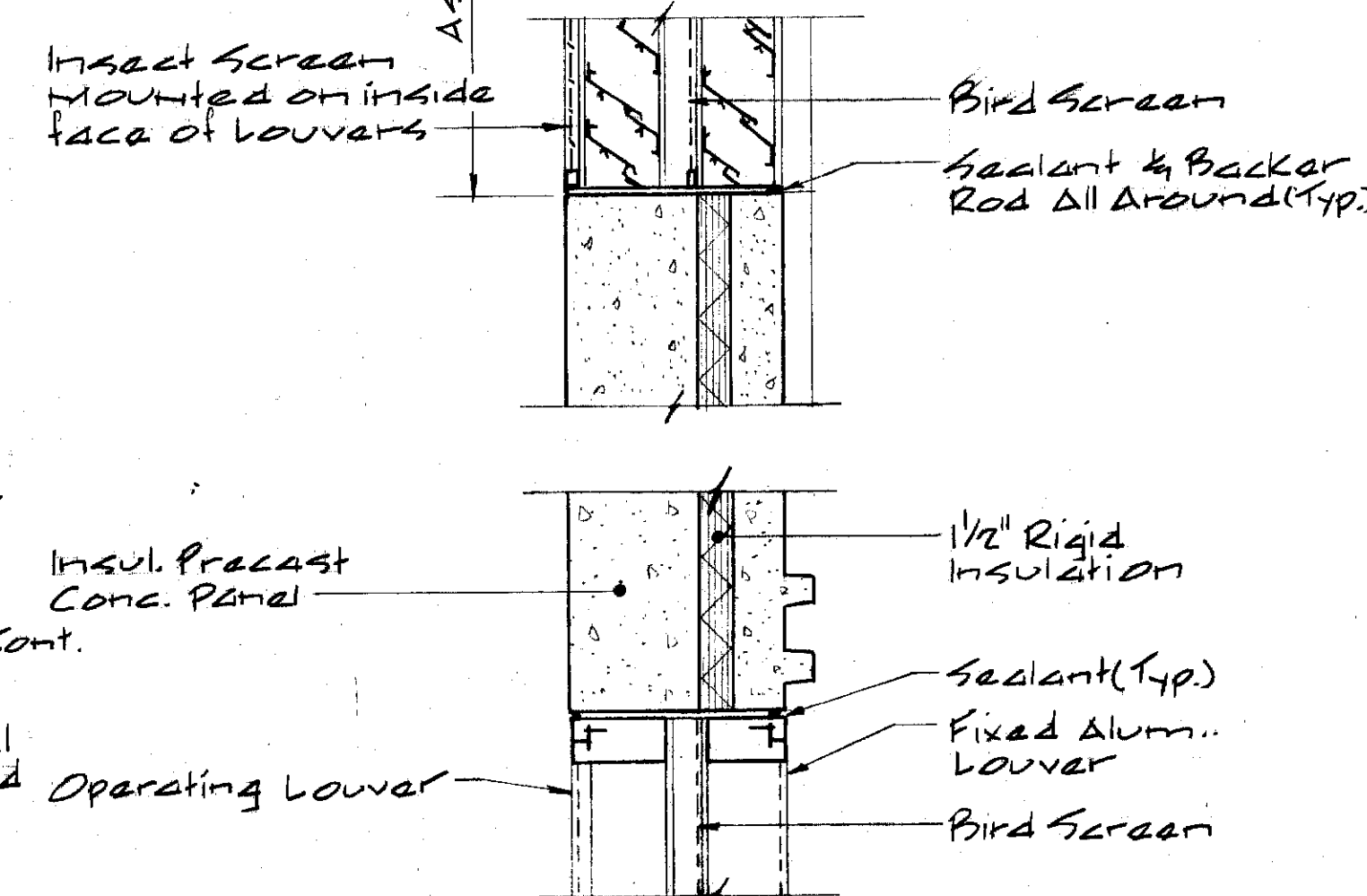
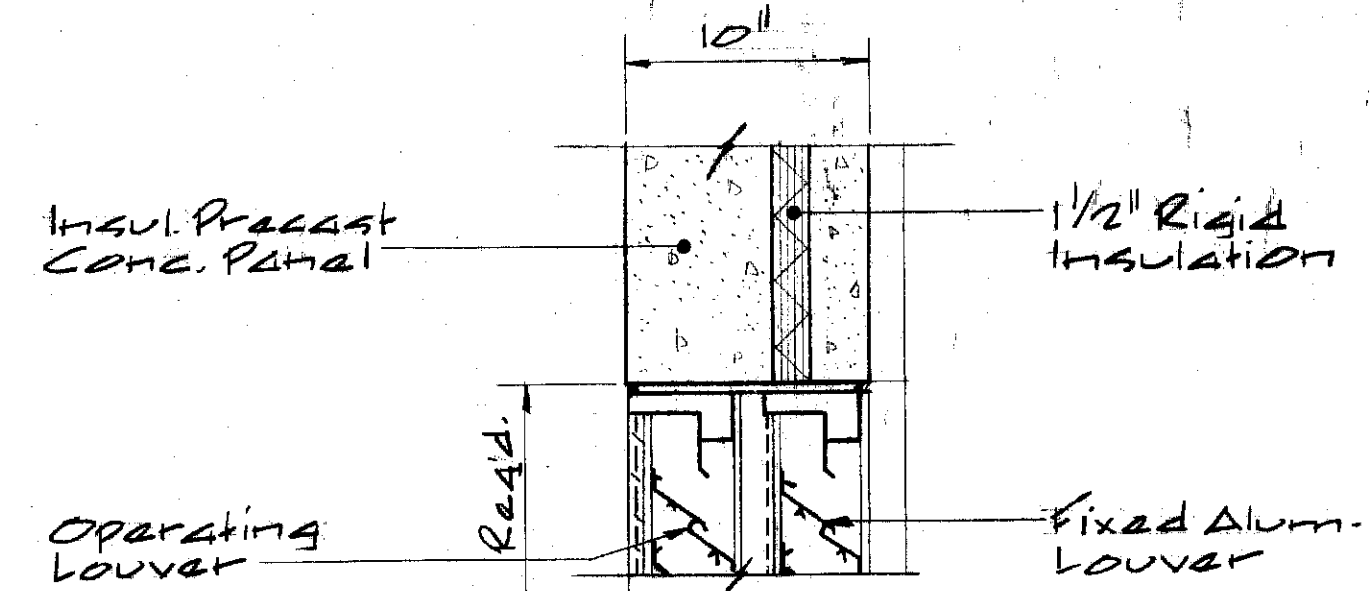
No.	Location	Bldg. Unit	Qty.	Size WxH	Type	Screens		Mtg. El. Bottom	Duty	Lintel	Remarks
						Bird	Insul.				
L-1	Maintenance Garage	A	2	48x48 48x48	Fixed Motor Oper.	✓	✓	397.67'	Intake		
L-2	Equipment Room	A	1	124x239 124x56	Fixed Motor Oper.	✓		401.67'	Intake		3 Vertical Sections Insulated Closure Panel
L-3	Elect. Equip. Room	A	1	36x24	Fixed	✓		397.83'	Intake	L-4	
L-4	Boiler Room	B	1	48x48	Fixed	✓		406.00'	Intake	L-4	
L-5	Boiler Room	B	1	36x80 40x80	Manual Oper.	✓		403.17'	Intake		
L-6	Odor Control Room	C	1	48x72	Fixed	✓		415.83'	Intake	L-4	Explosion Proof
L-7	Sludge Process Room	B	4	24x166 24x96	Fixed Motor Oper.	✓		413.00' 414.50'	Intake		Insulated Closure Panel
L-8	Screenings	C	1	84x56 84x56	Fixed Motor Oper.	✓		410.50' 410.50'	Intake		Explosion Proof
L-9	Screenings	C	1	36x56	Fixed	✓		410.50'	Intake		
L-10	Grit Removal Room	C	2	60x87 1/2	Motor Oper.	✓		402.67'	Intake		Explosion Proof
L-11	Filter Room	B	4	24x166 24x96	Fixed Motor Oper.	✓		425.00' 427.50'	Intake		Insulated Closure Panel
L-12	Access Building	F	1	78x40 78x40	Fixed Motor Oper.	✓		402.83' 402.83'	Intake	L-4	
L-13	Access Building	H	1	120x30	Motor Oper.	✓		405.67'	Intake		
L-14	Oxygen Gen. Bldg.	I	2	48x144	Fixed	✓		404.50'	Intake		Blanked off 27" @ Top
L-15	Oxygen Gen. Bldg.	I	2	40x80	Motor Oper.	✓	✓	397.67'	Intake		
L-16	Oxygen Gen. Bldg.	I	1	144x144 144x78	Fixed Motor Oper.	✓		404.50' 405.00'	Intake		Insulated Closure Panel
L-17	Oxygen Gen. Bldg.	I	2	24x144 24x120	Fixed Motor Oper.	✓	✓	404.50' 405.00'	Intake		
L-18	Access Building	K	1	120x30	Motor Oper.	✓		398.17'	Intake		
L-19	Chlorine Room (Chlorination Bldg.)		1	40x52	Motor Oper.	✓		398.67'	Intake		
L-20	Chlorine Room (Chlorination Bldg.)		2	48x144 48x144	Fixed Motor Oper.	✓		391.33' 391.33'	Intake		
L-21	Elect. Equip. Room (Chlorination Bldg.)		1	24x24 24x24	Fixed Motor Oper.	✓		398.33' 398.33'	Intake		
L-22	Blower Building		2	48x120	Fixed			391.33'	Intake		

Note: Refer to Dwg. A-19 for Lintel Schedule



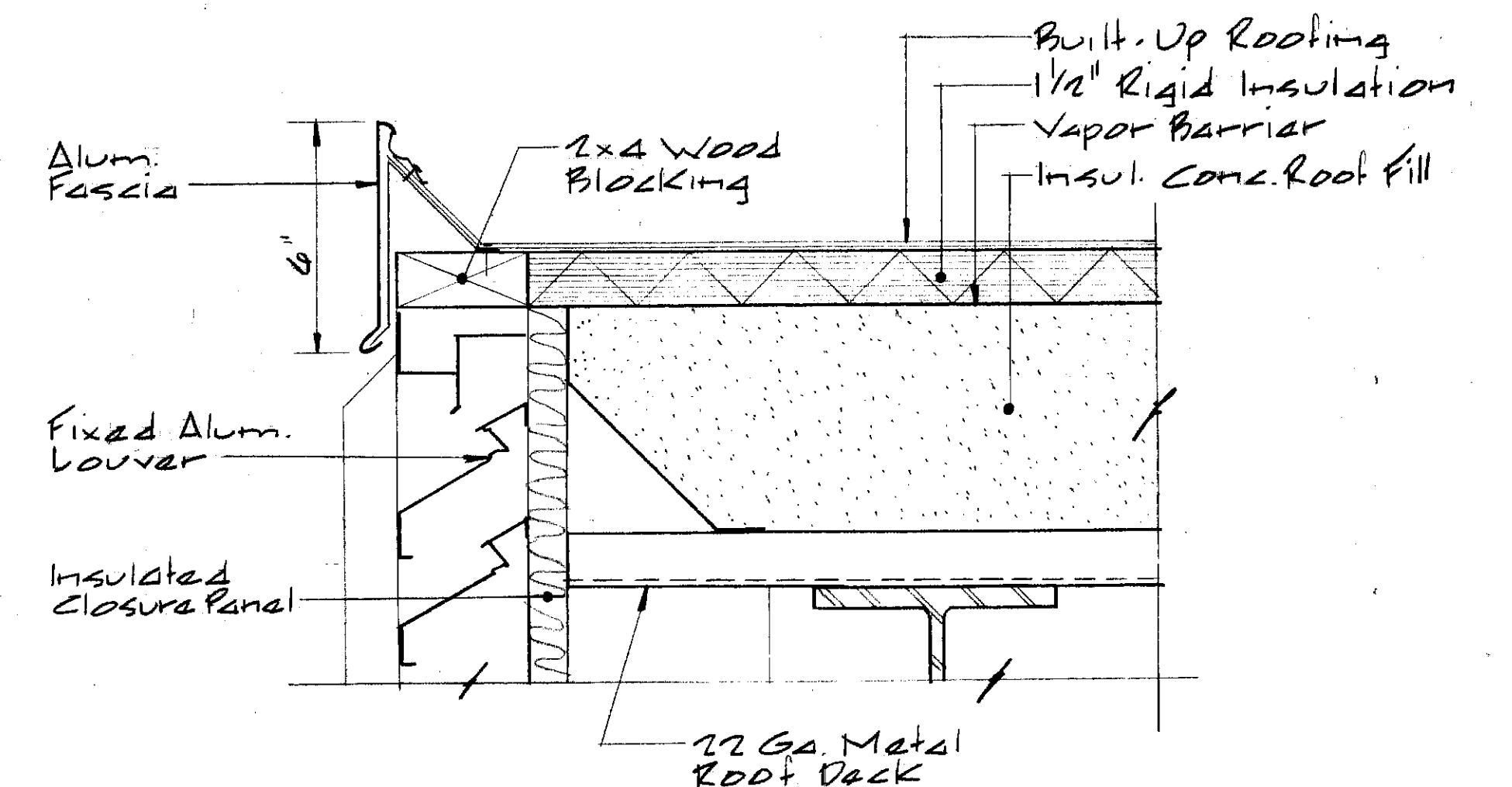
TYPICAL LOUVER DETAILS THROUGH FACE BRICK

Scale: 1/2" = 1'-0"



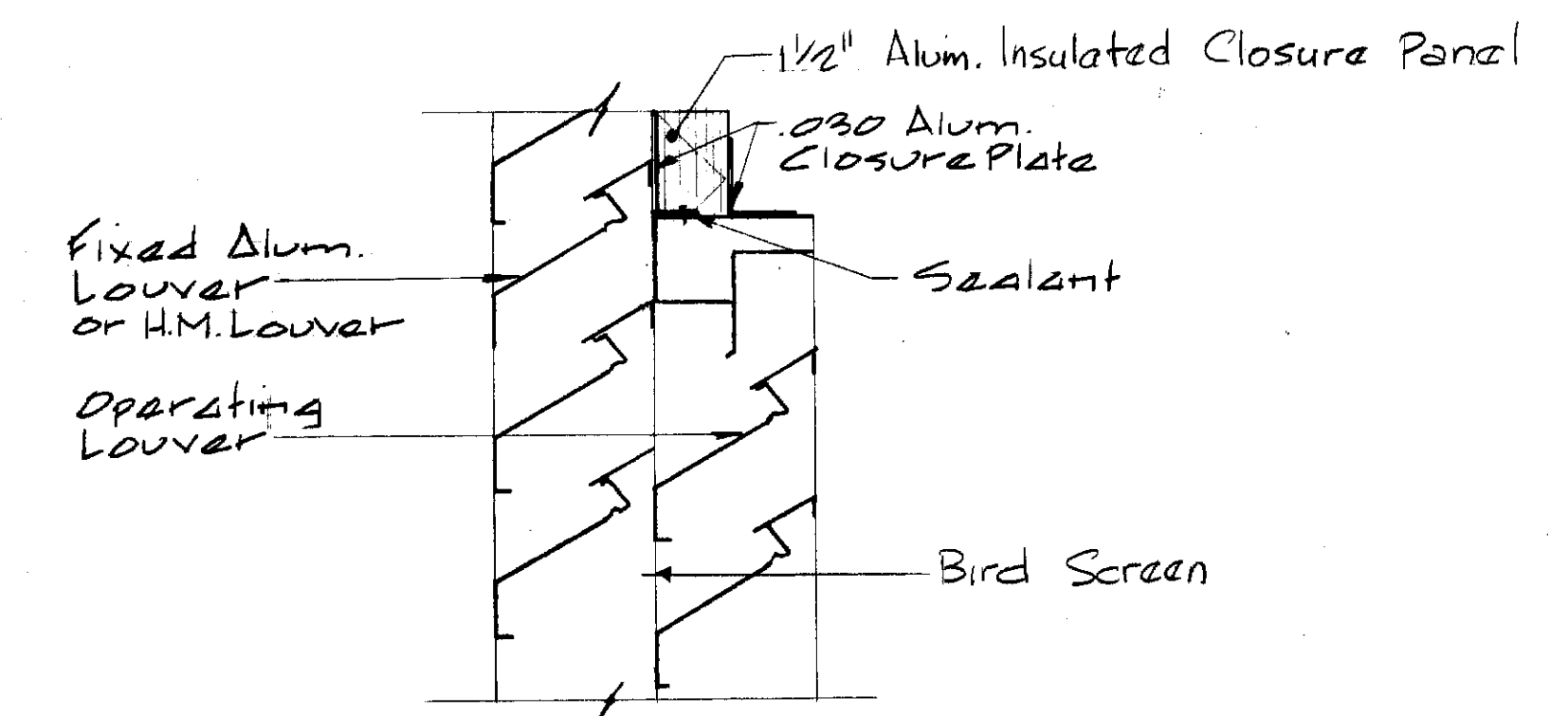
TYPICAL LOUVER DETAILS THROUGH INSUL. PRECAST CONC. PANEL

Scale: 1/2" = 1'-0"



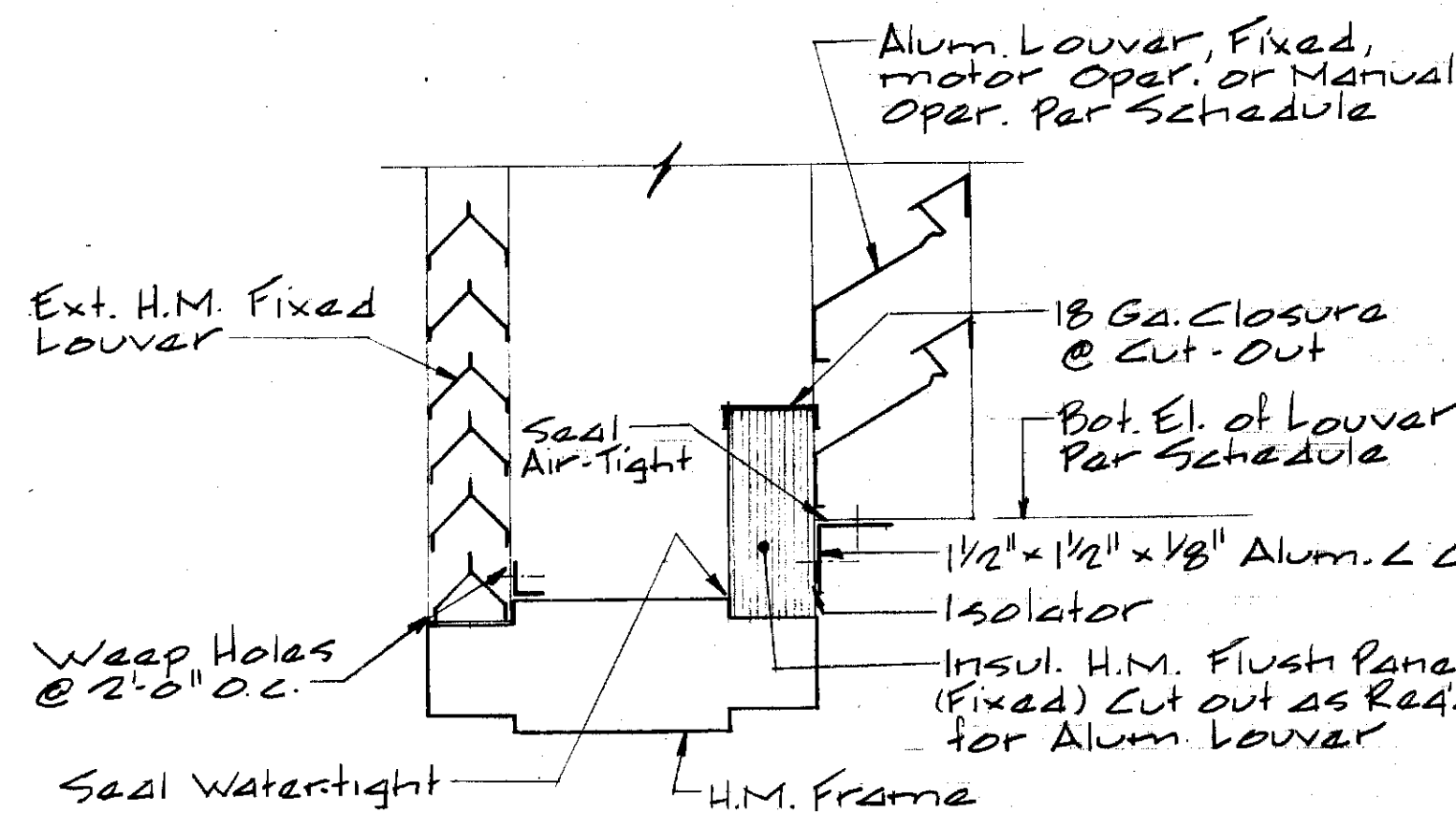
SECTION 2 A-11

Scale: 3/8" = 1'-0"



HEAD DETAIL (JAMB SIMILAR)

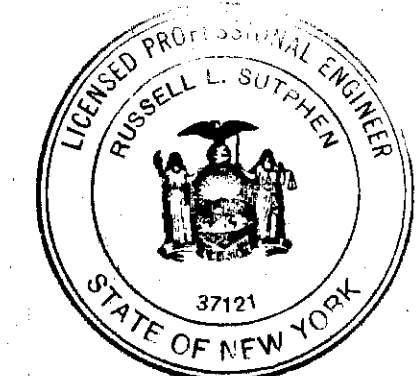
Interior operating louver @ blanked-off fixed ext. louver



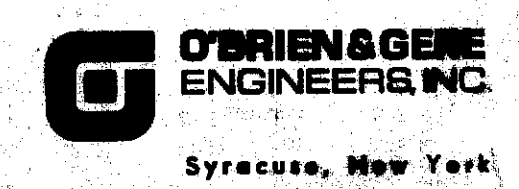
LOUVER SILL DETAIL @ H.M. DOOR FRAME & LOUVER

Scale: 3/8" = 1'-0"

Note: Head & Jamb Similar



In charge of <u>McNamara</u>	NO.	DATE	REVISION	INT.
Designed by <u>ADN</u> Checked by <u>ADN</u>	2	2/14/78	General Revisions	RSJ
Made by <u>EFB</u>	1	5/1/77	General Revisions	RSJ



CLAY SANITARY DISTRICT
OAK ORCHARD SERVICE AREA
OAK ORCHARD WATER POLLUTION CONTROL PLANT

ARCHITECTURAL
LOUVER SCHEDULE & DETAILS

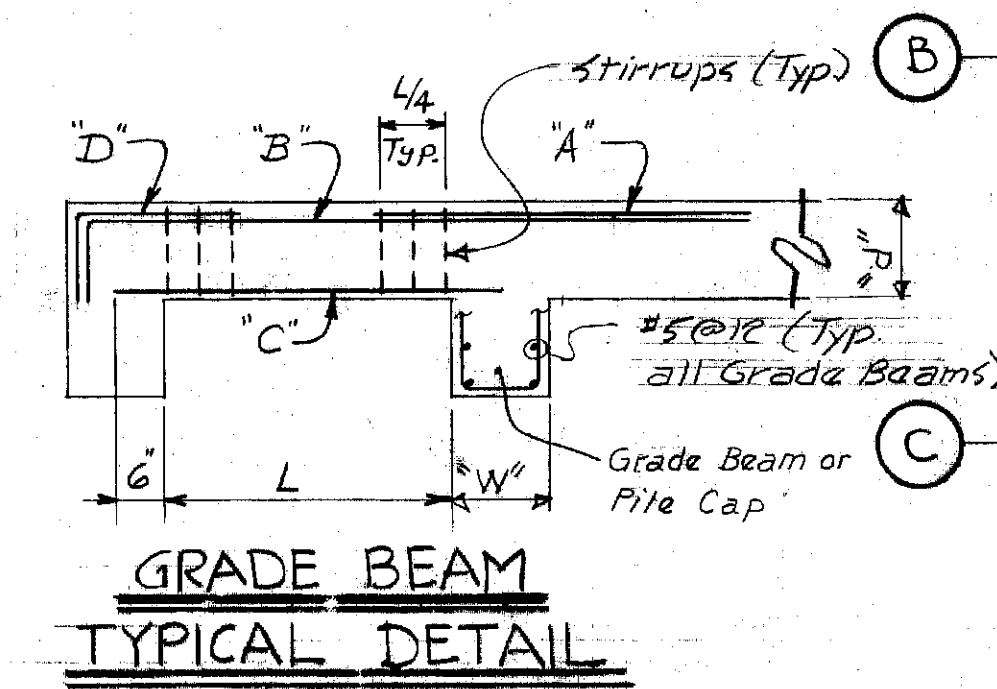
FILE NO. 115.219.094F
DATE JULY 1, 1975
A-34

RECORD DRAWING
To the best of our knowledge, information and belief, these records represent a true and correct copy of the original drawing as submitted to the State of New York.
DESIGNED BY: RSJ
CHECKED BY: RSJ
DATE: 7/1/75
DRAWN BY: RSJ
DATE: 7/1/75
SCALE: AS SHOWN
APPROVED BY: RSJ
DATE: 7/1/75

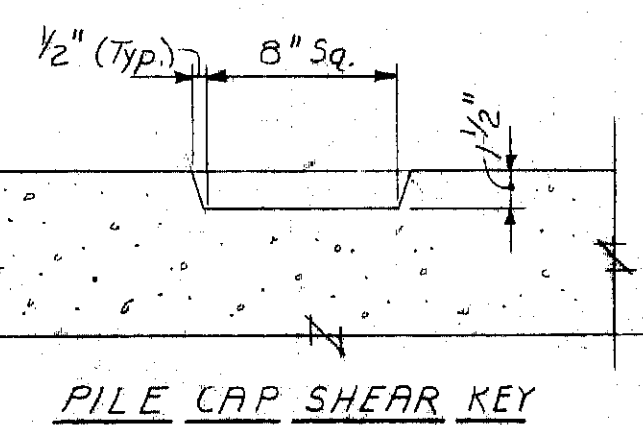
GRADE BEAM SCHEDULE									
BEAM	WIDTH W"	DEPTH d"	REINFORCING				STIRRUPS		REMARKS
			A	B	C	D	SIZE	Sp/E, END	
GB-1	20	44	2-#10	4-#9	5-#9	#5	5@14	5@14	See Sec. 3 on S-2
GB-2	20	44	2-#9	4-#9	5-#9	#5	"	"	" " " " "
GB-3	20	48	2-#9	4-#9	5-#9	#5	"	"	" " " " "
GB-4	20	48	2-#9	4-#9	5-#9	#5	"	"	" " " " "
GB-5	24	52	2-#9	4-#9	6-#9	#5	15	15	**
GB-6	24	66	2-#9	4-#9	6-#9	#5	15	15	See Sec. 2 on S-2
GB-7	20	36	2-#9	3-#9	3-#9	#5	9@6	9@6	" " " " "
GB-8	20	58	2-#9	3-#9	4-#9	#4	12	12	" " " " "
GB-9	18	44	2-#10	3-#9	4-#9	#4	6@12	6@12	See Sec. 1 on S-2
GB-10	20	60	2-#9	4-#9	4-#9	#4	"	"	" " " " "
GB-11	20	44	2-#8	2-#8		#4	6@9		" " " " "
GB-12	18	36	2-#10	2-#9	4-#9	#5	6@9	6@9	" " " " "
GB-13	18	24	2-#9	2-#9	3-#9	#5	4@12	4@12	" " " " "
GB-14	24	48	2-#9	2-#9	3-#8	#4			" " " " "
GB-15	18	24	3-#9	3-#9		#4			" " " " "
GB-16	30	36	2-#10	4-#10	6-#10	#5	9@6	9@6	" " " " "

NOTE:
All grade beams shall have a minimum of #9@18 stirrups unless otherwise shown or scheduled

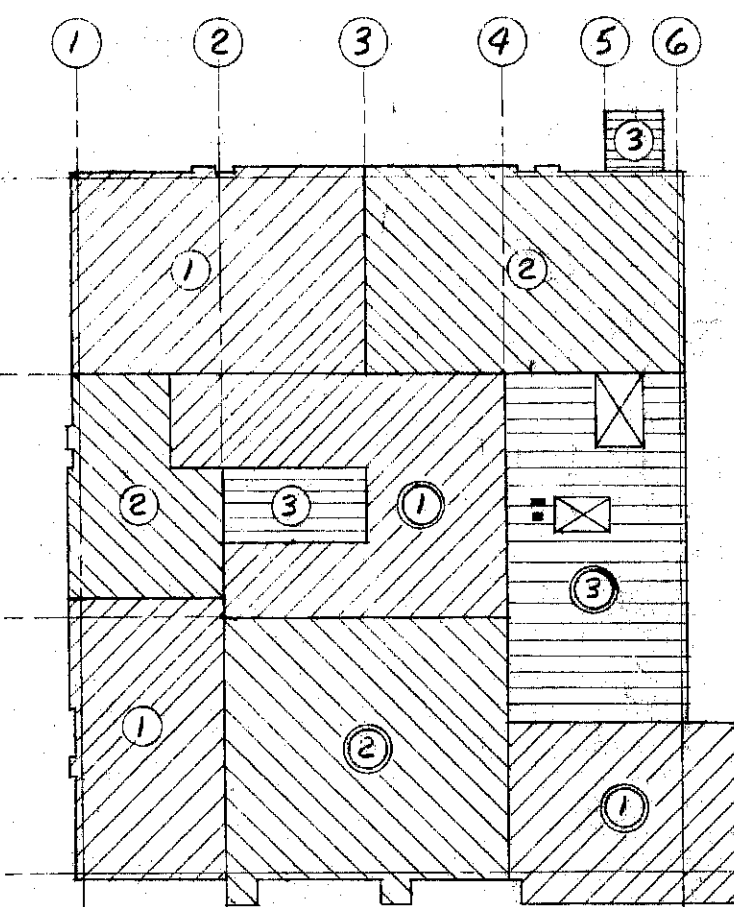
** 90" For 9'-6" North of Column Line 2



Not to Scale

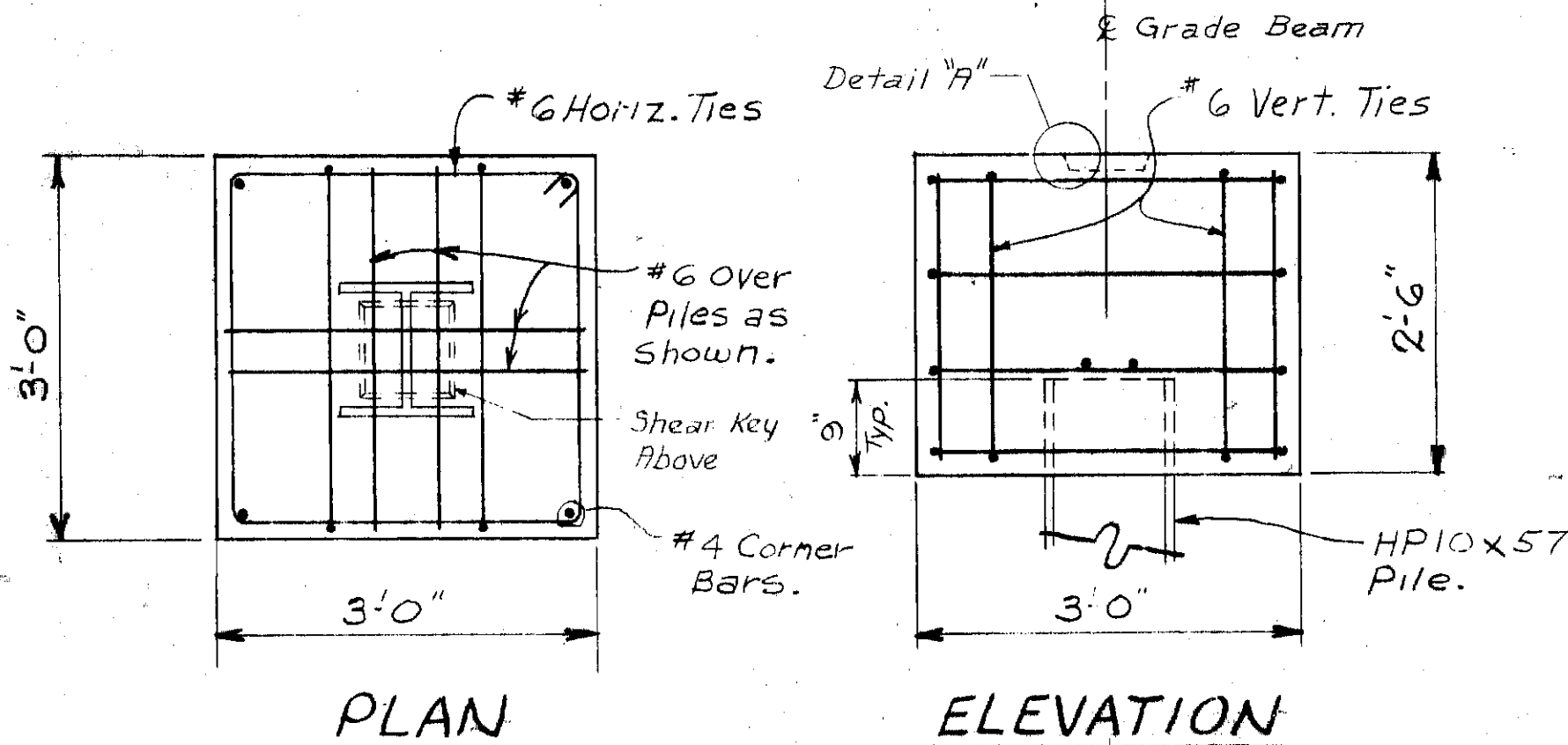


DETAIL "A"
N.T.S.

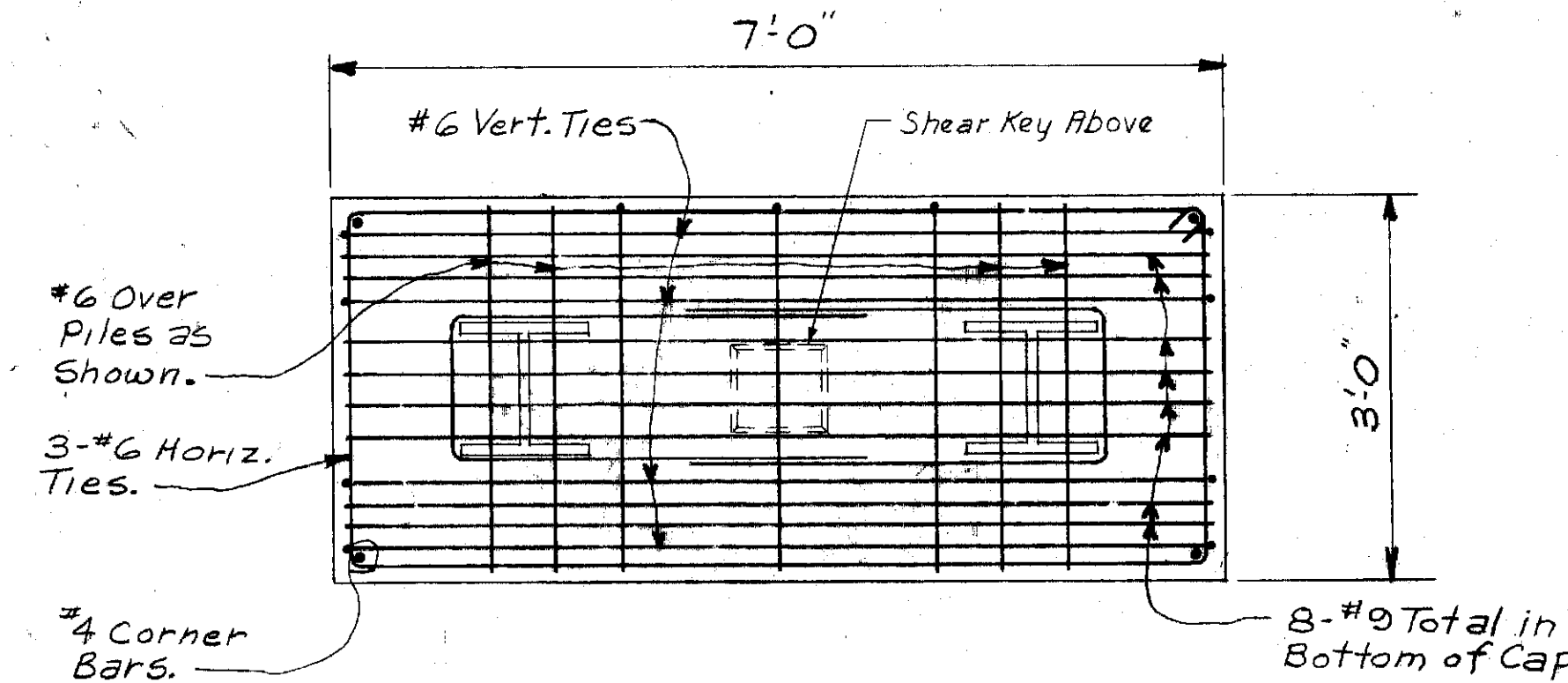


○ = Slab @ El. 394.50
○ = Slab @ El. 396.00

SLAB POURING PLAN
Not to Scale

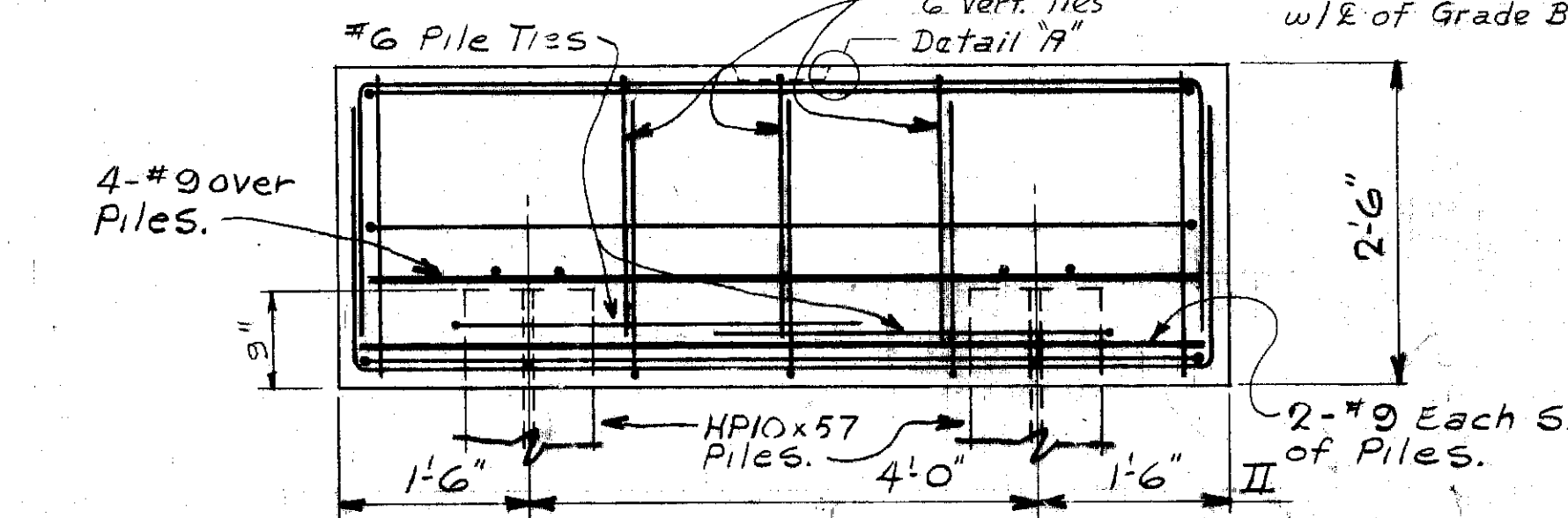


TYPE I PILE CAP
Scale: 3/4" = 1'-0"

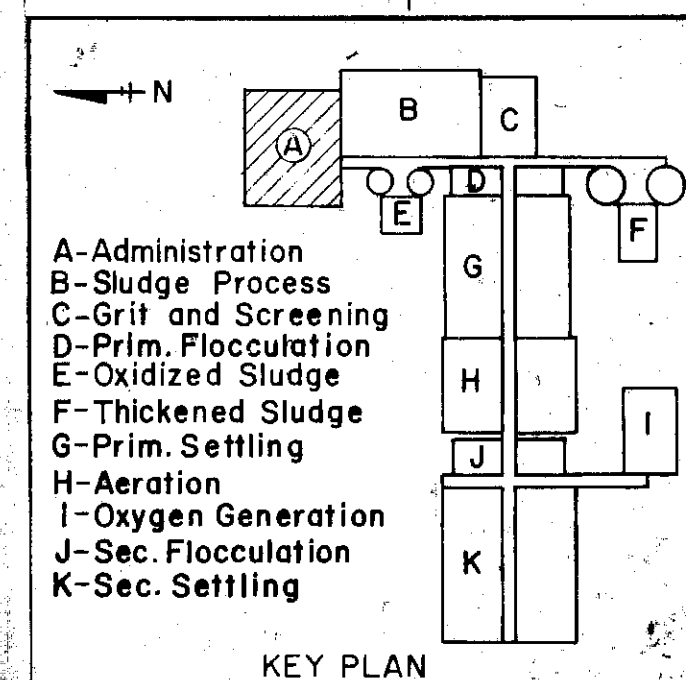


PLAN

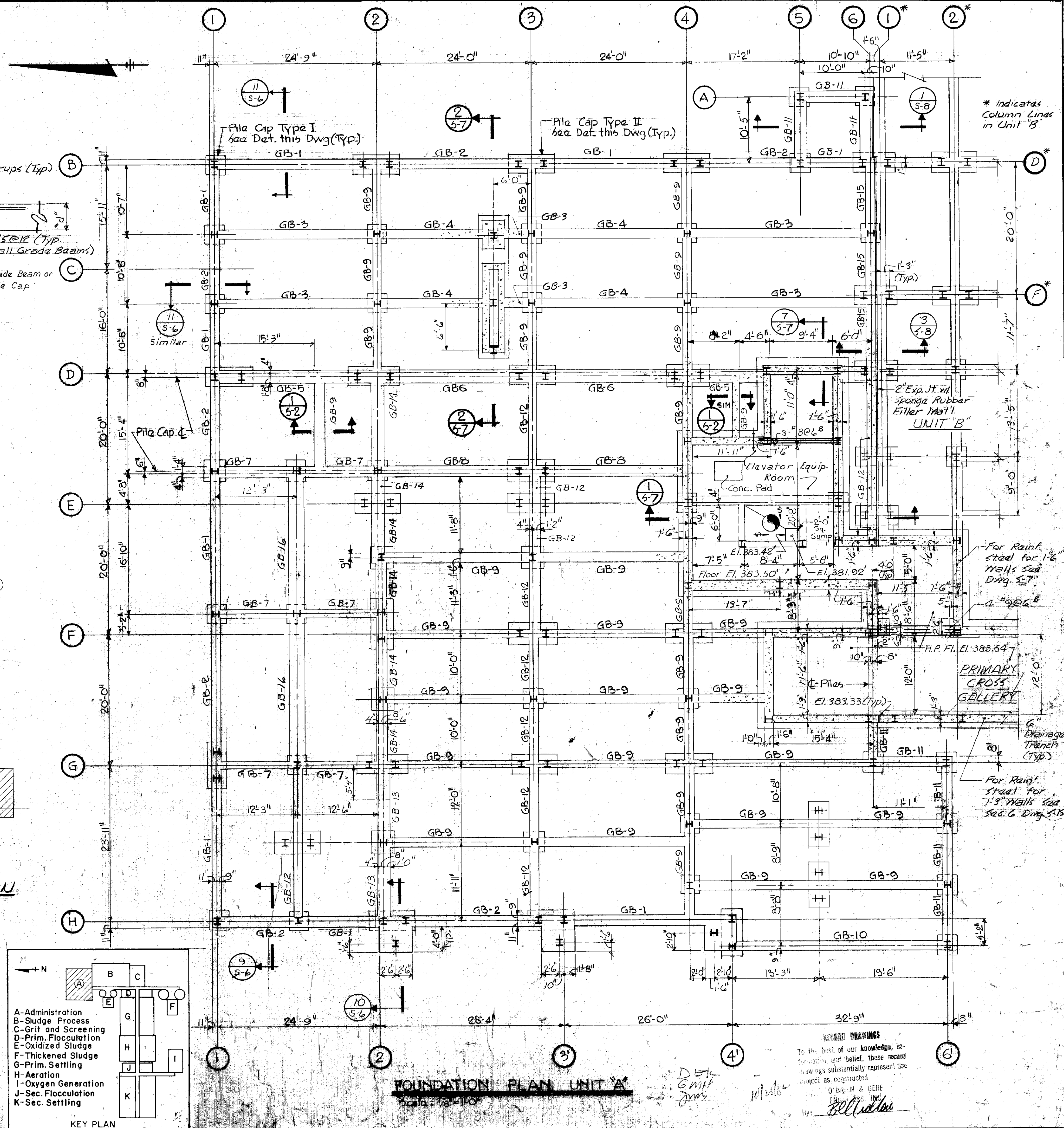
NOTE:
2 of Key to coincide w/ E of Grade Beam



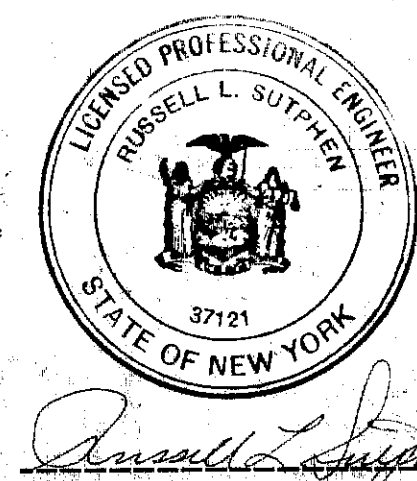
ELEVATION
TYPE II PILE CAP
Scale: 3/4" = 1'-0"



KEY PLAN



FOUNDATION PLAN UNIT 'A'
Scale: 1/8" = 1'-0"



In charge of: *M. Santalucia*
Designed by: *TMS* Checked by: *TMS*
Made by: *DRT/KS*

NO.	DATE	REVISION	INIT.

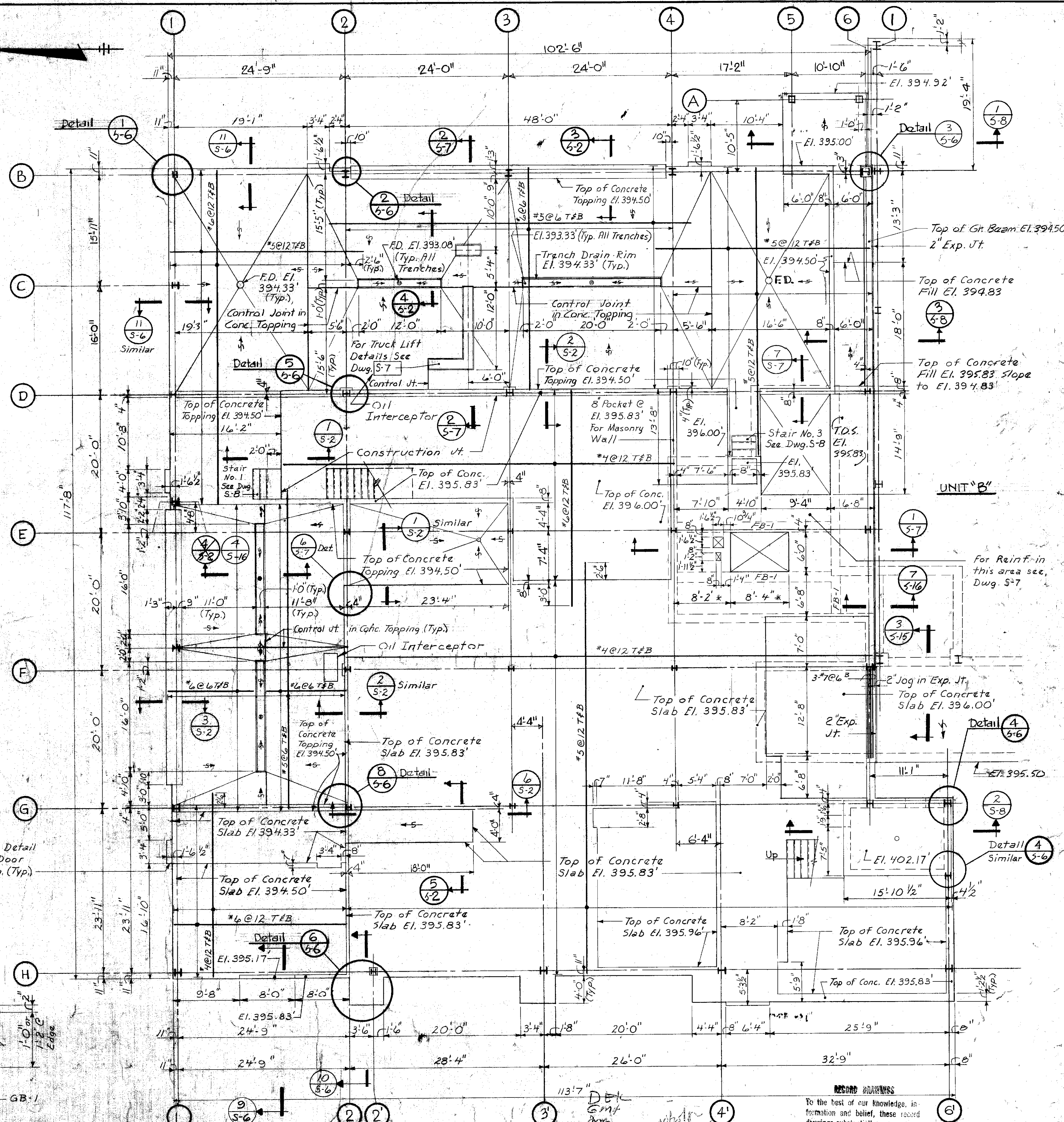
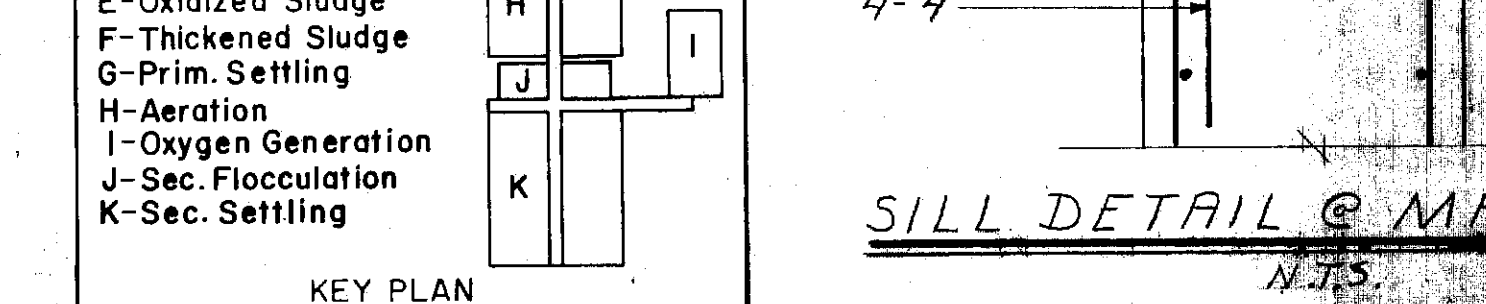
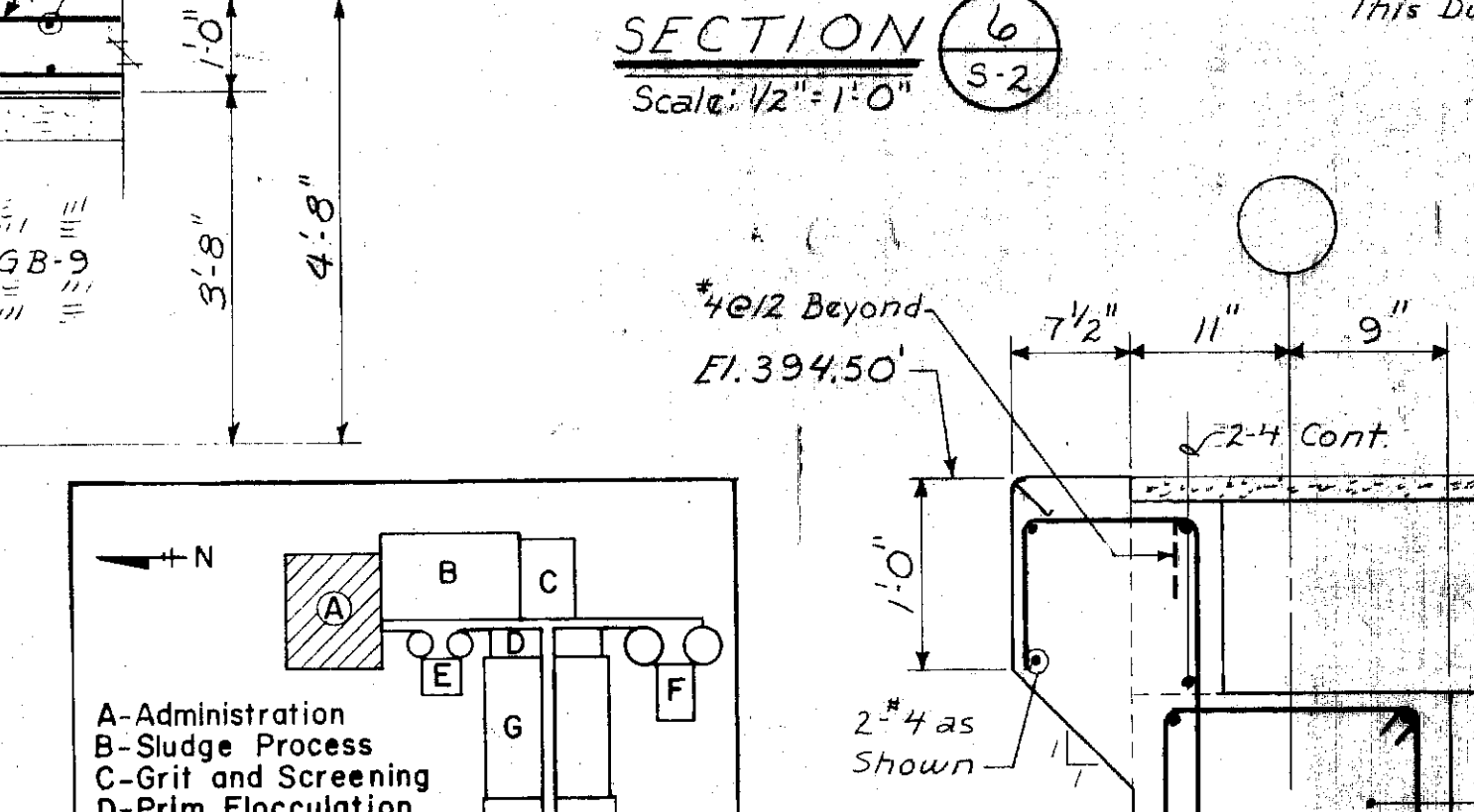
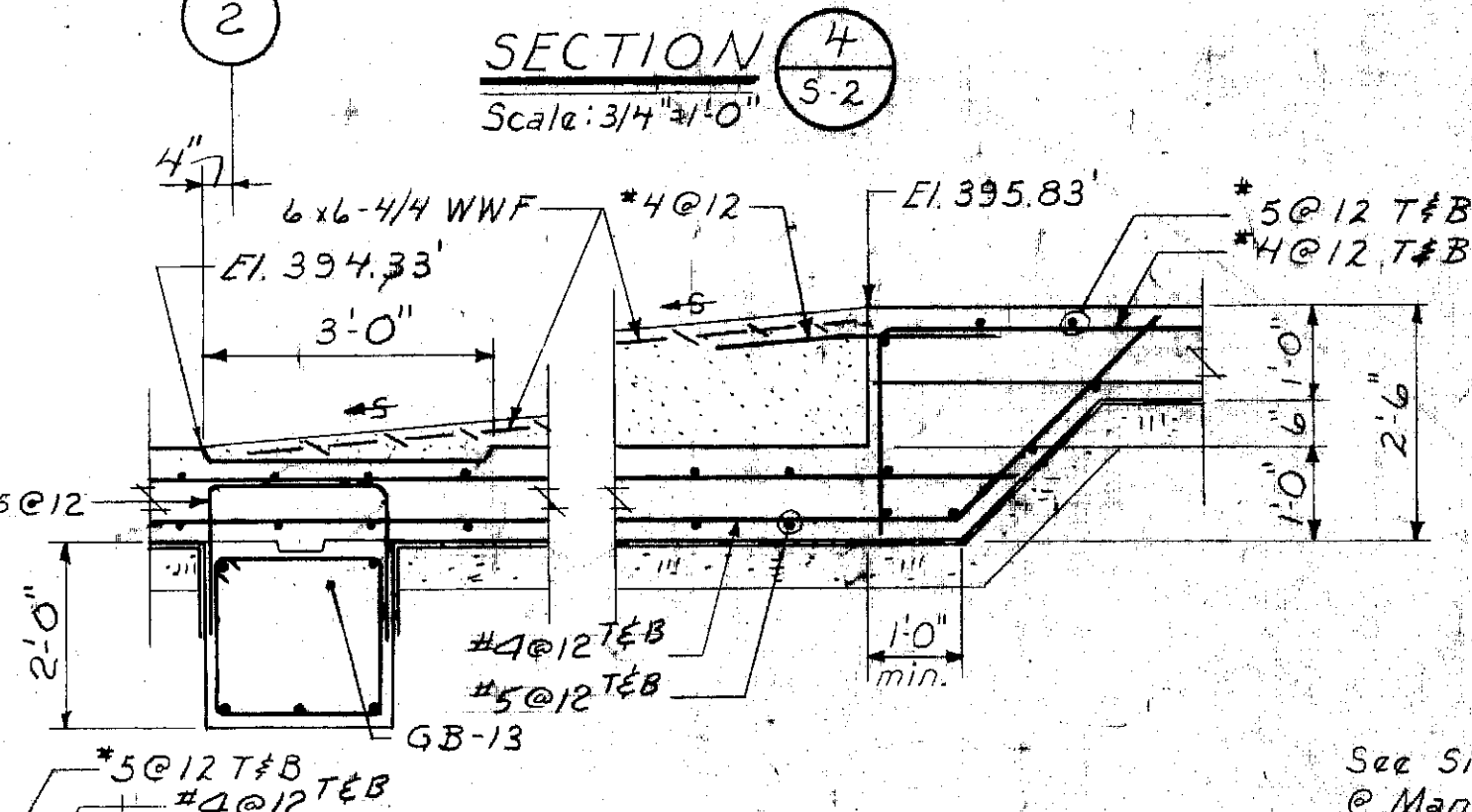
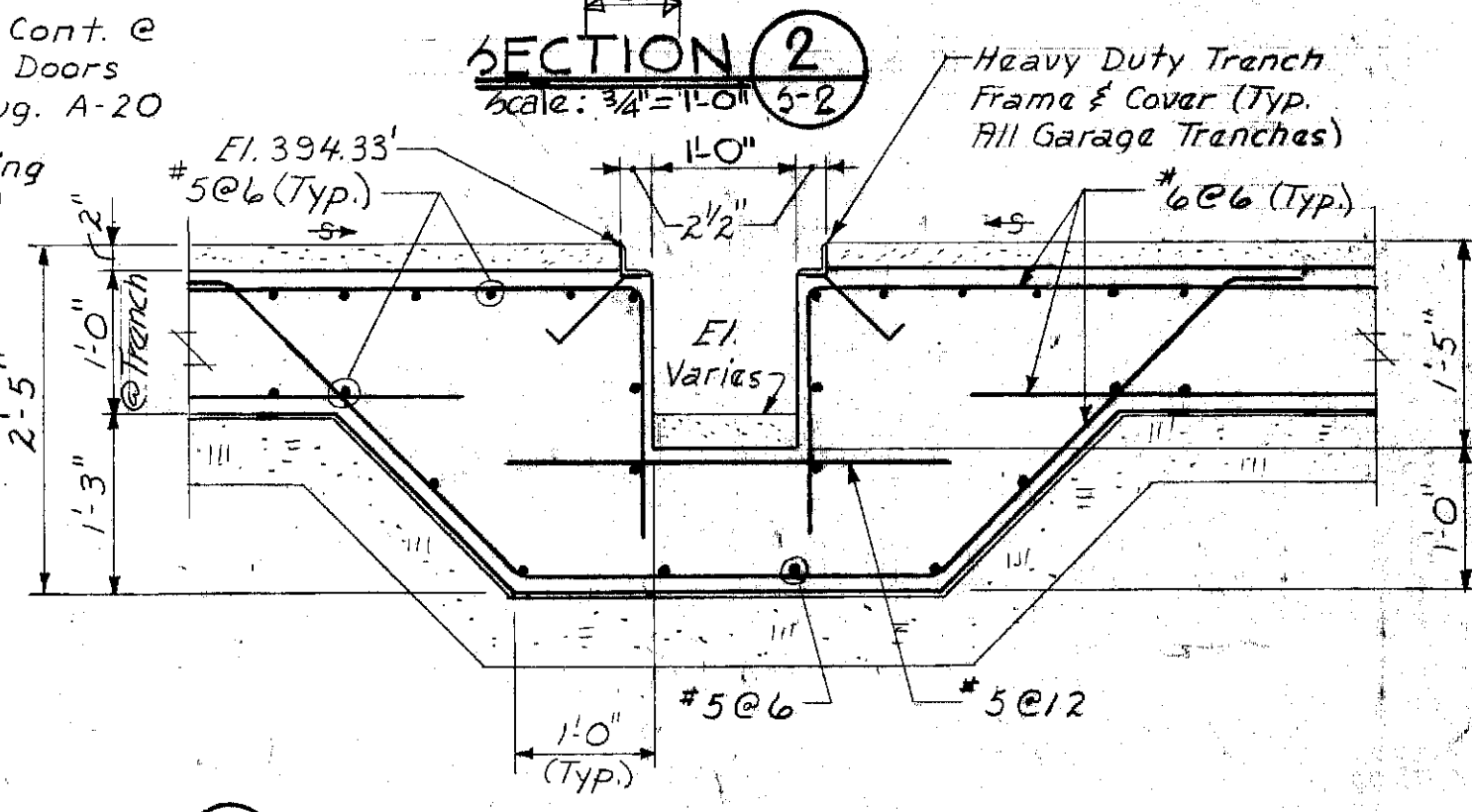
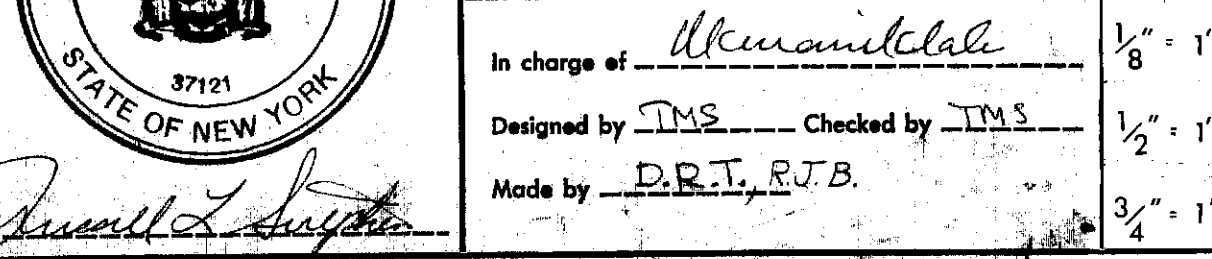
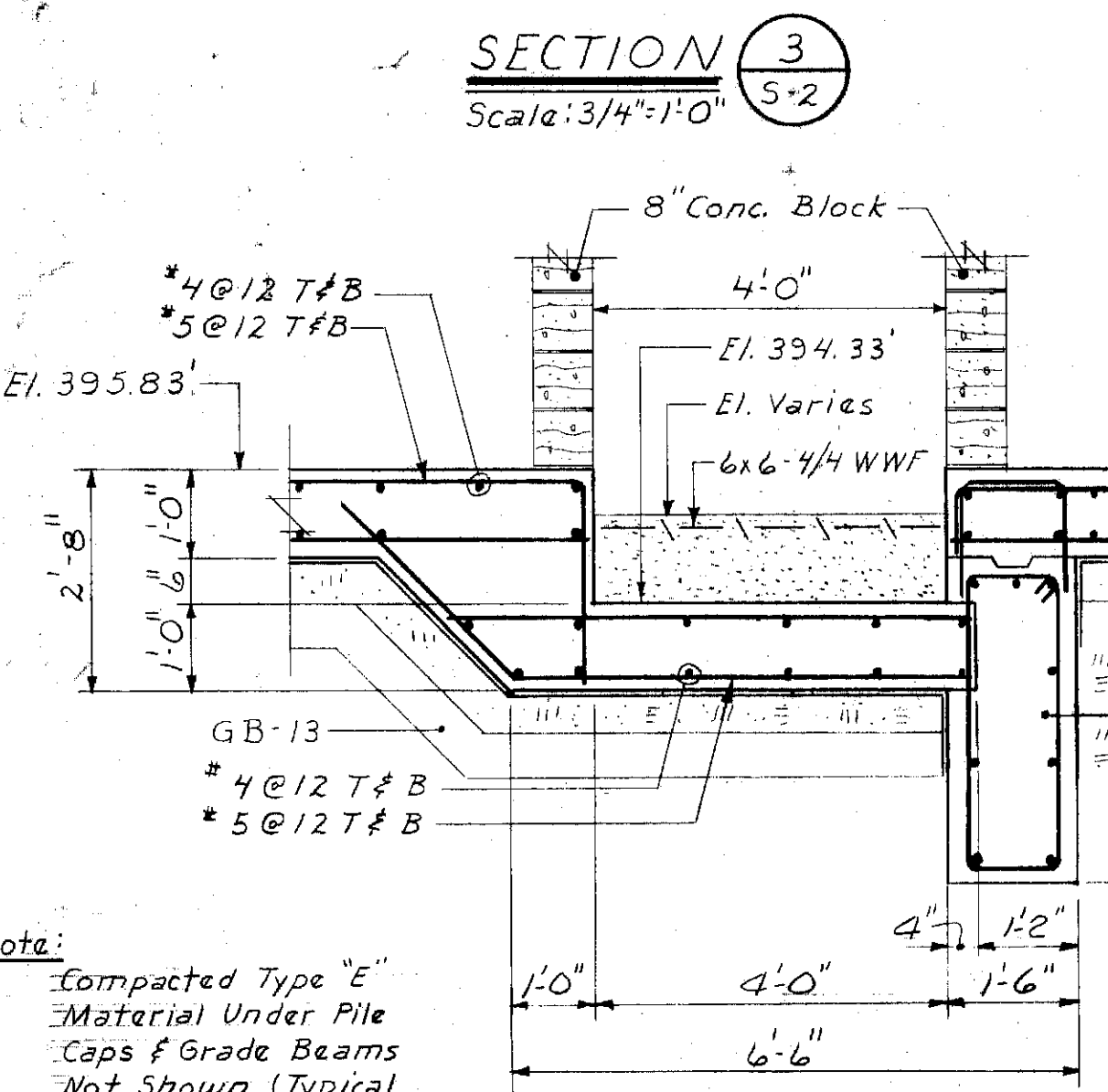
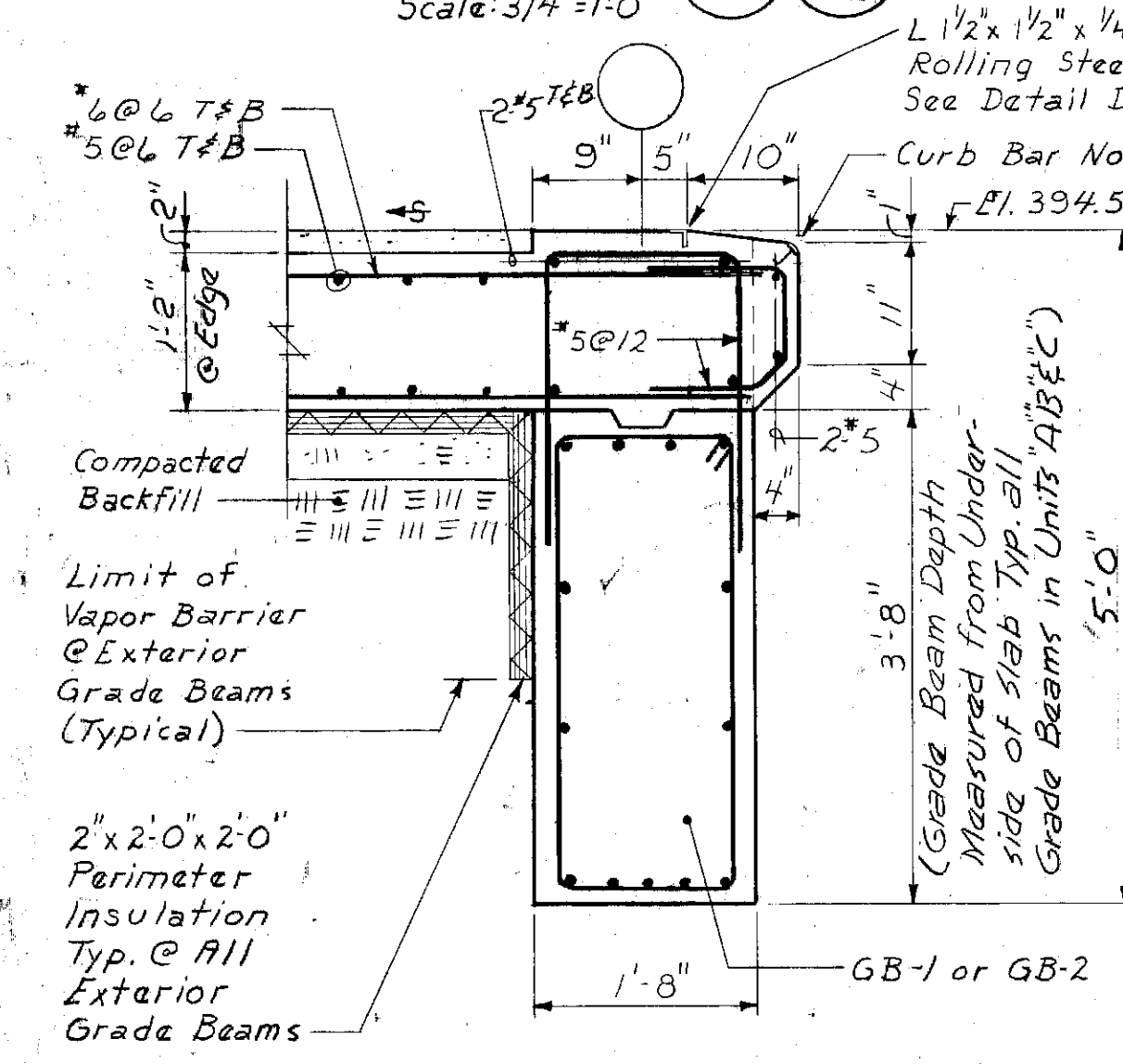
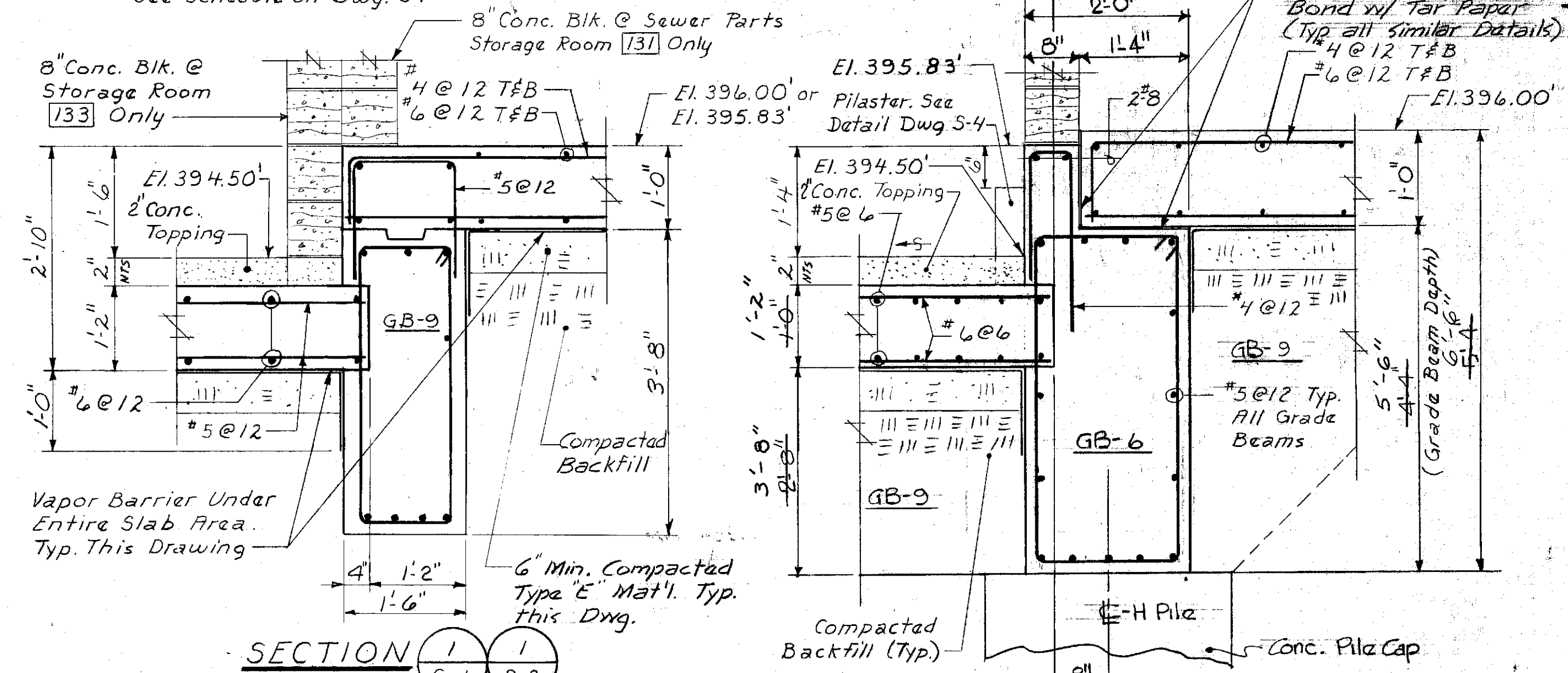
CLAY SANITARY DISTRICT
OAK ORCHARD SERVICE AREA
OAK ORCHARD WATER POLLUTION CONTROL PLANT

STRUCTURAL
UNIT A
PILE & FOUNDATION PLAN

FILE NO.
115.219.156F
DATE
JULY 1, 1975
S-1

RECORD DRAWINGS
To the best of our knowledge, information and belief, these record drawings substantially represent the project as constructed.
D. BRUN & GERE
ENGINEERS, INC.
By: *[Signature]*

Note: For Grade Beam Reinf See Schedule on Dwg. S-1



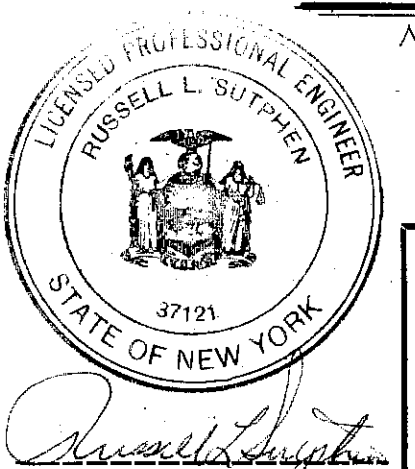
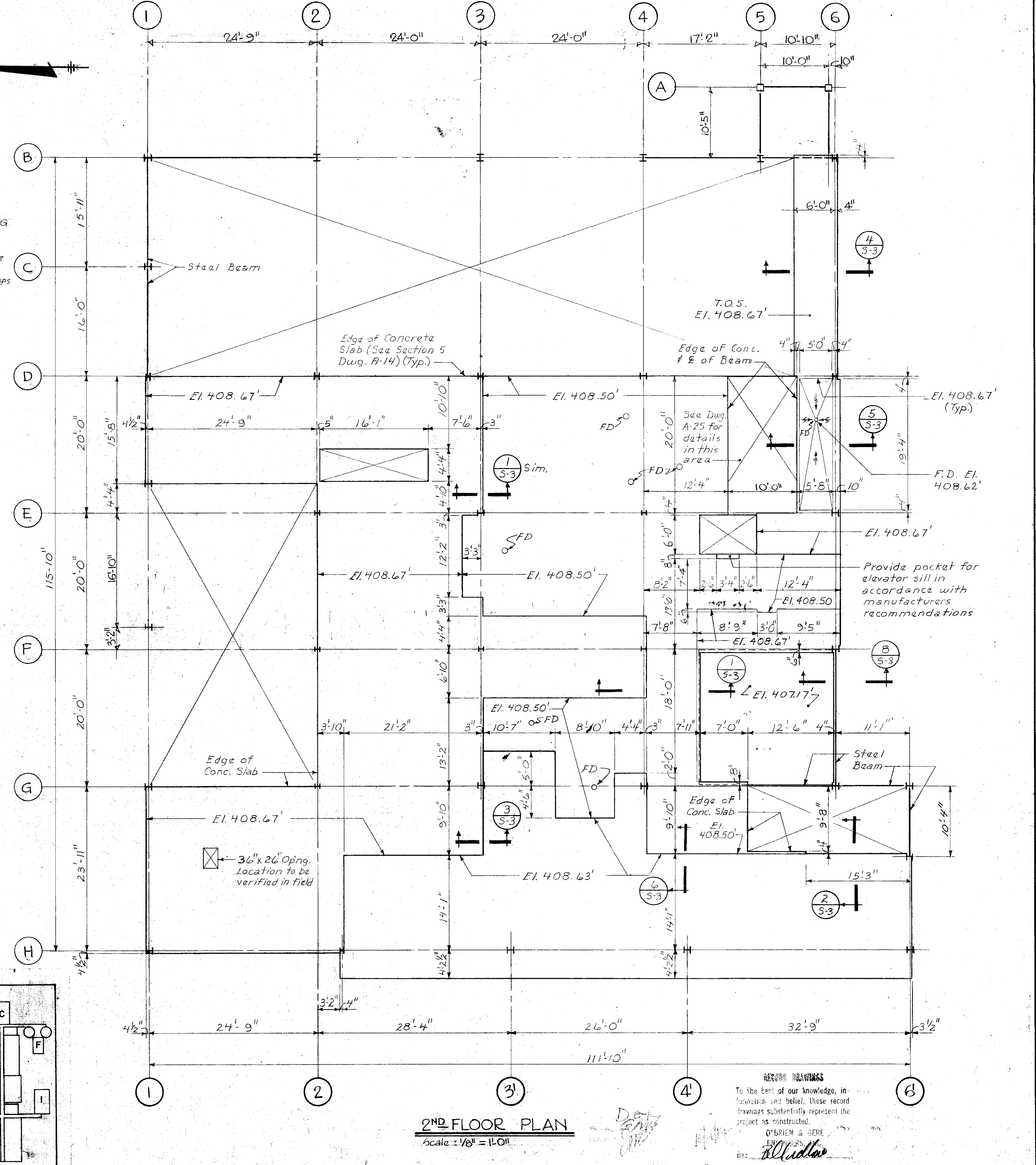
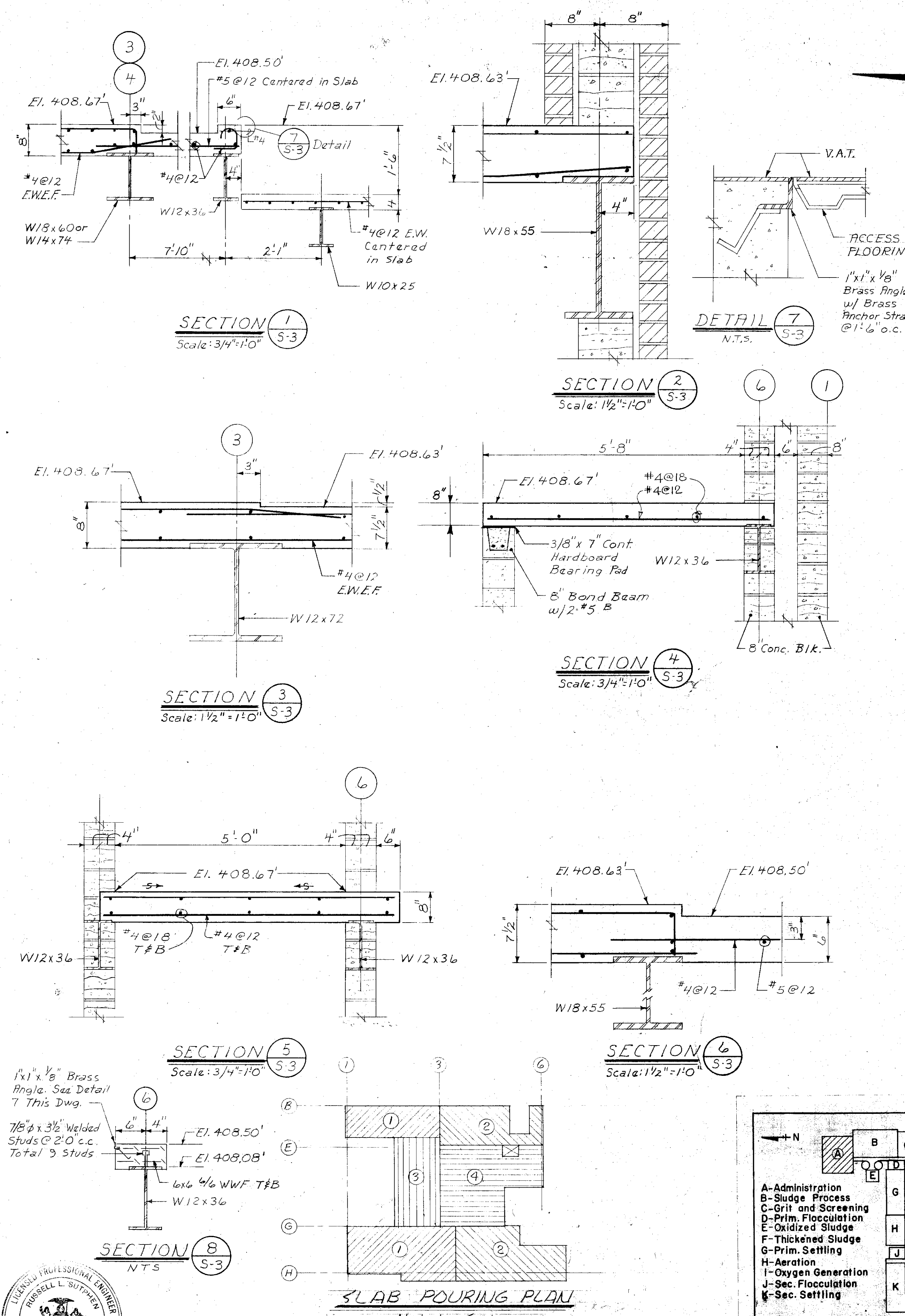
In charge of	DESIGNED	CHECKED	DATE	REVISION	INIT.
Hemant Lal	JMS	JMS	1/1/75		
Designed by	JMS	Checked by	JMS		
Made by	D.R.L., R.T.B.				

NO.	DATE	REVISION	INIT.
1	1/1/75	General Revisions	
2	1/1/75	General Revisions	

CLAY SANITARY DISTRICT
OAK ORCHARD SERVICE AREA
OAK ORCHARD WATER POLLUTION CONTROL PLANT

STRUCTURAL
FIRST FLOOR - UNIT A
PLAN & SECTIONS

FILE NO. 115.219.157F
DATE JULY 1, 1975
S-2



In charge of	<i>M. Mankata</i>	1/8" = 1'-0"	1/4" = 1'-0"	1/2" = 1'-0"	NO.	DATE	REVISION	INIT.
Designed by	<i>JMS</i>	1/8" = 1'-0"	1/4" = 1'-0"	1/2" = 1'-0"				
Checked by	<i>Sett</i>	1/8" = 1'-0"	1/4" = 1'-0"	1/2" = 1'-0"				
Made by	<i>R.V.B.</i>	1/8" = 1'-0"	1/4" = 1'-0"	1/2" = 1'-0"				

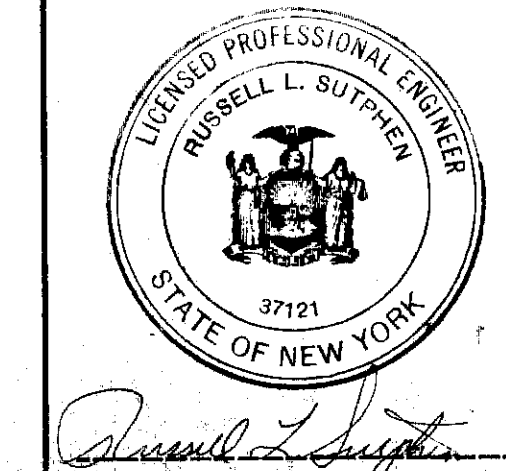
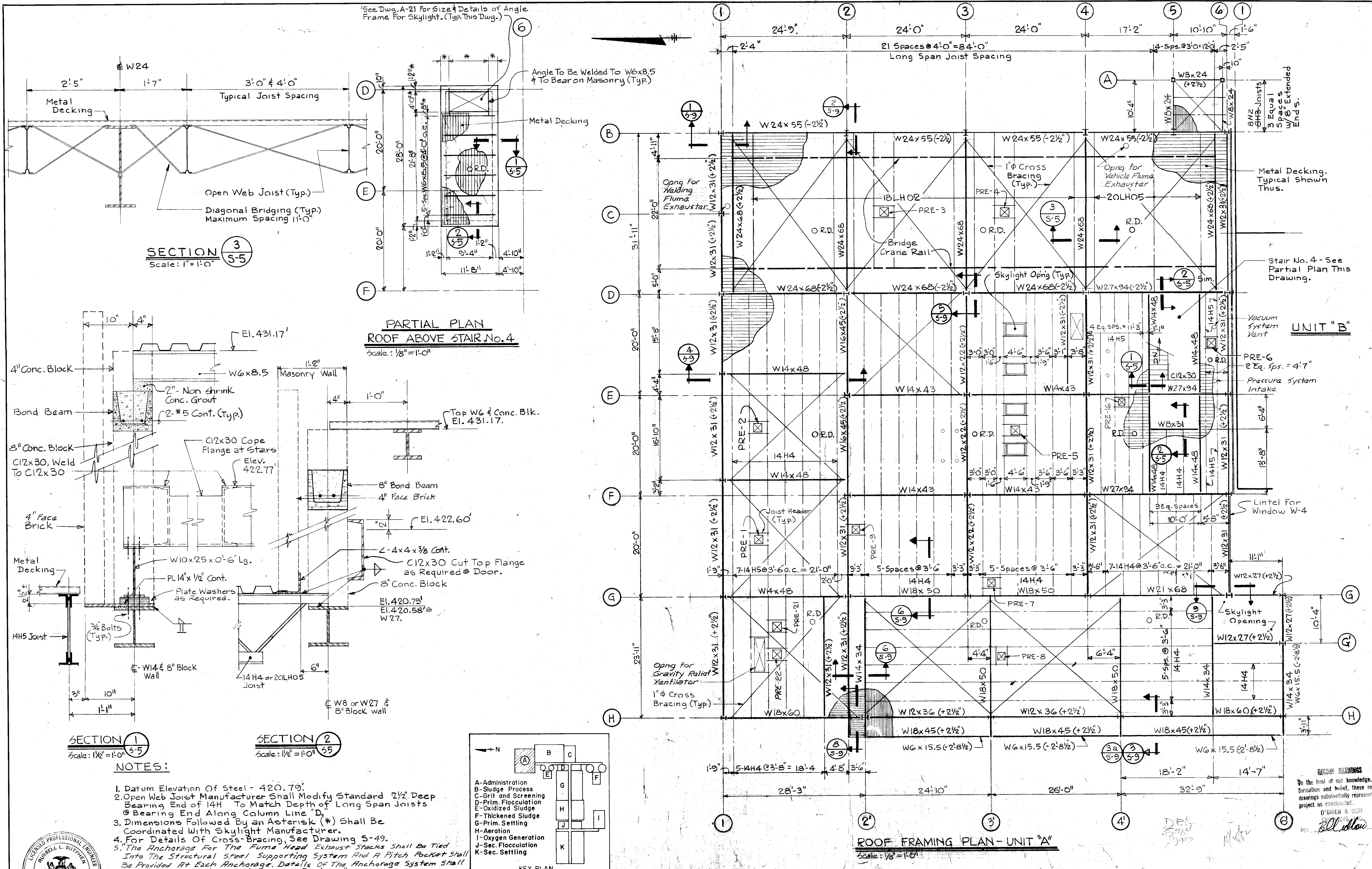
O'BRIEN & GERE ENGINEERS INC.
Syracuse, New York

CLAY SANITARY DISTRICT
OAK ORCHARD SERVICE AREA
OAK ORCHARD WATER POLLUTION CONTROL PLANT

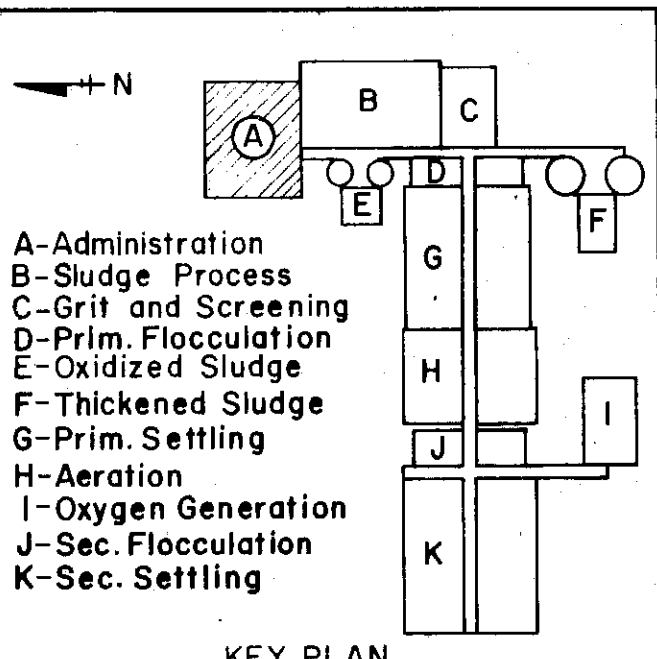
STRUCTURAL
SECOND FLOOR - UNIT A
FRAMING PLAN & SECTIONS

FILE NO. 115.219.158F
DATE JULY 1, 1975
S-3

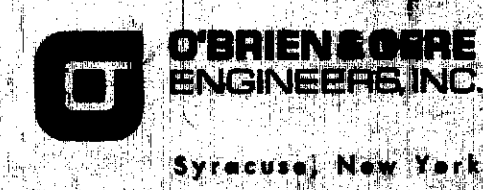
RECORD DRAWINGS
To the best of our knowledge, information and belief, these record drawings substantially represent the project as constructed.
O'BRIEN & GERE
ENGRS. ARCHTS. & INTERIORS
BY: *R. L. O'Connell*



- NOTES:**
- Datum Elevation Of Steel - 420.70'
 - Open Web Joist Manufacturer Shall Modify Standard 2 1/2" Deep Bearing End of 14H To Match Depth of Long Span Joists @ Bearing End Along Column Line "D"
 - Dimensions Followed By an Asterisk (*) Shall Be Coordinated With Skylight Manufacturer.
 - For Details Of Cross-Bracing, See Drawing S-49.
 - The Anchorages For The Furnace Head Exhaust Stacks Shall Be Tied Into The Structural Steel Supporting System And A Pitch Pocket Shall Be Provided At Each Anchorage. Details Of The Anchorage System Shall Be Submitted To The Engineer For Review.



In charge of	Checked by	NO.	DATE	REVISION	INIT.
Designed by	Checked by				
Made by					

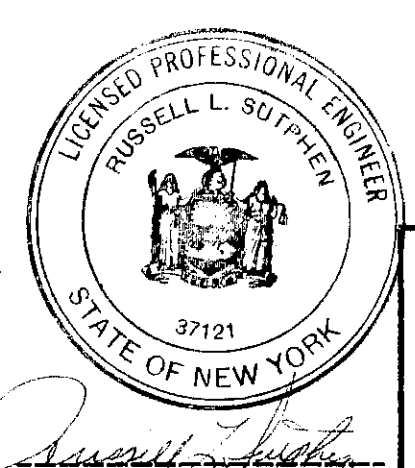
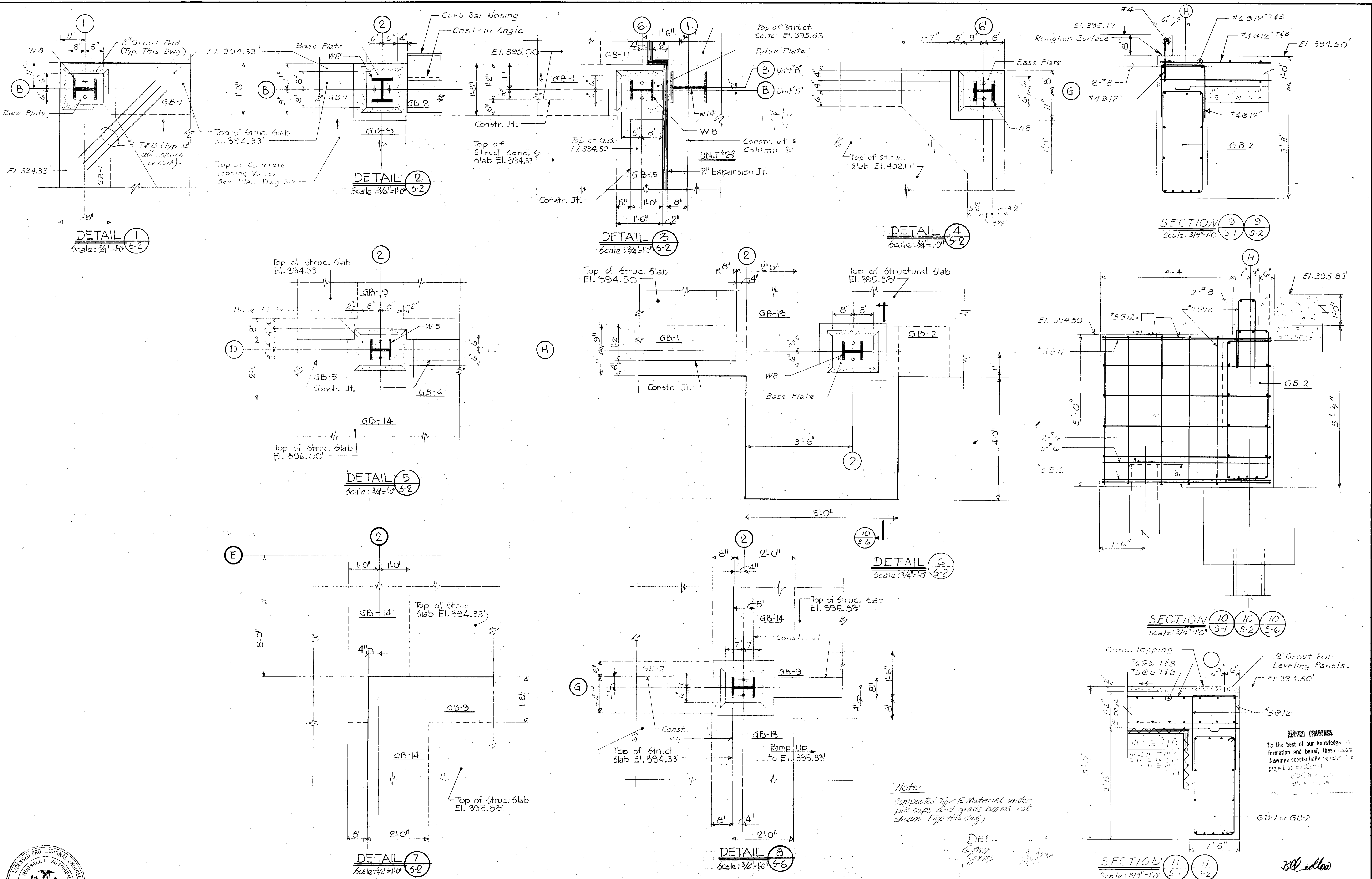


CLAY SANITARY DISTRICT
OAK ORCHARD SERVICE AREA
OAK ORCHARD WATER POLLUTION CONTROL PLANT

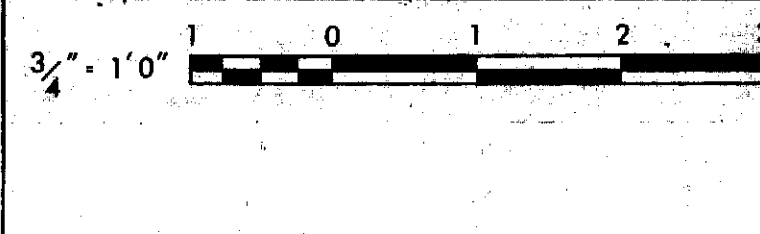
STRUCTURAL
UNIT A
ROOF FRAMING PLAN & SECTIONS

FILE NO.	115.219.160F
DATE	JULY 1, 1975
	S-5

RECORD DRAWINGS
To the best of our knowledge, information and belief, these record drawings substantially represent the project as constructed.
O'BRIEN & GERE ENGINEERS, INC.
SYRACUSE, NEW YORK



In charge of W. W. Winkler
 Designed by J.M.S. Checked by J.M.S.
 Made by D.R.T.



NO.	DATE	REVISION	INIT.
2/19/78		General Revisions	
3/4/77		General Revisions	

O'BRIEN & GERE
 ENGINEERS, INC.
 Syracuse, New York

CLAY SANITARY DISTRICT
 OAK ORCHARD SERVICE AREA
 OAK ORCHARD WATER POLLUTION CONTROL PLANT

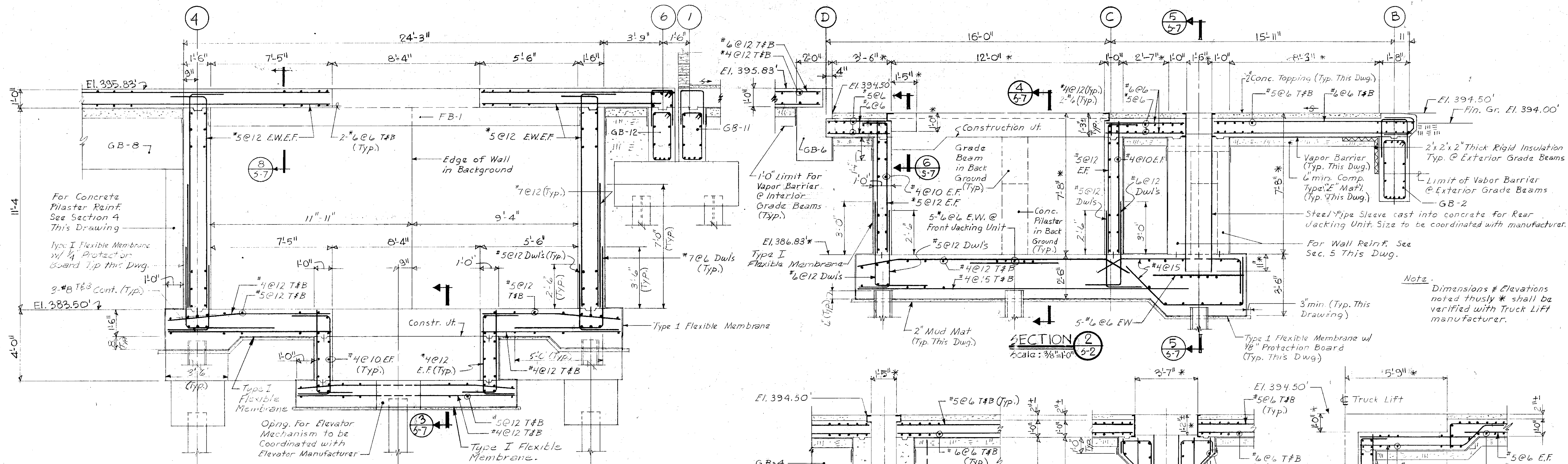
STRUCTURAL
 UNIT-A
 DETAILS

FILE NO.
 115.219.161F
 DATE
 JULY 1, 1975

S-6

DISCLAIMER
 To the best of our knowledge, information and belief, these records drawn substantially represent the project as constructed.

Bl. edlaw

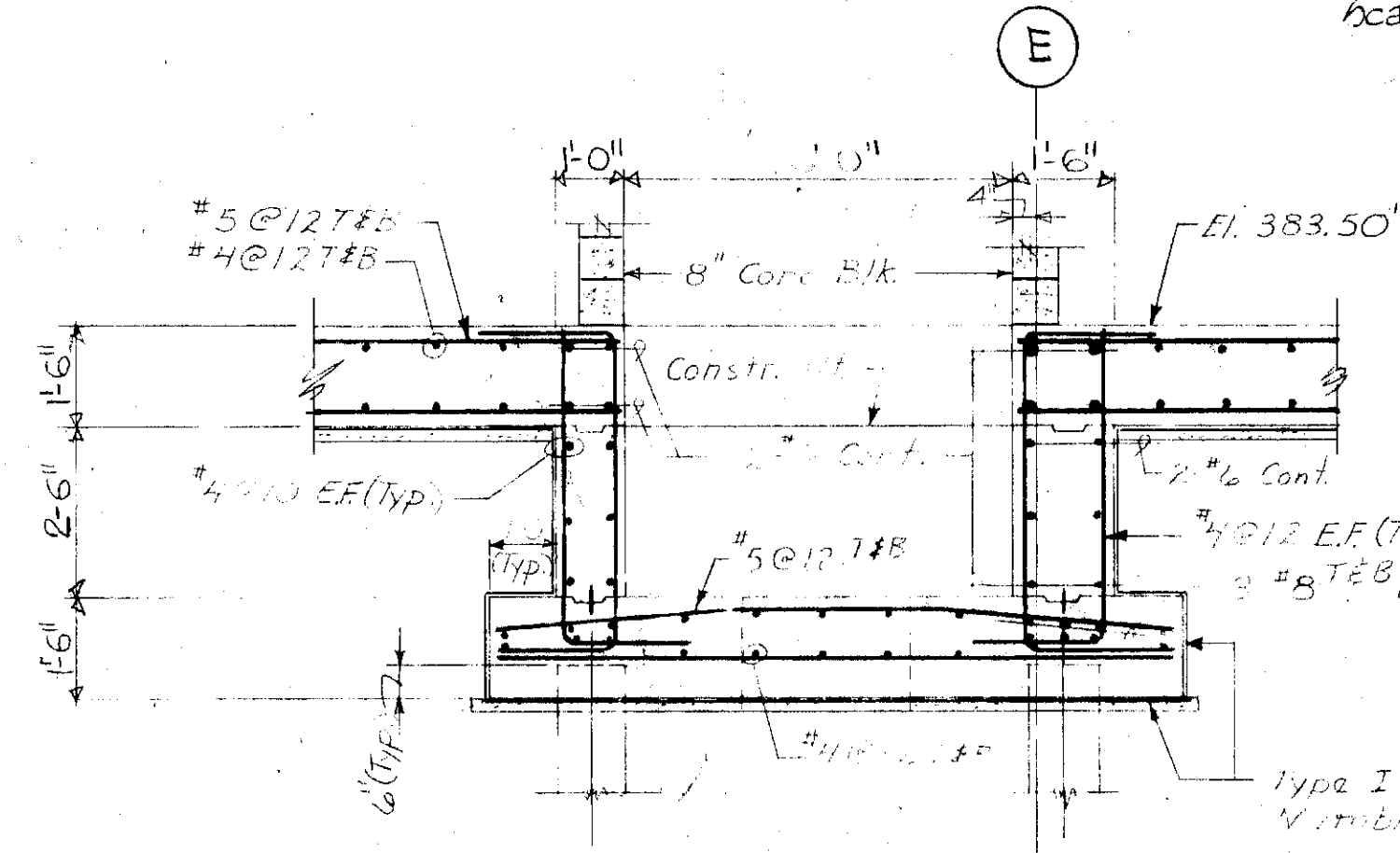


Note: Dimensions & Elevations noted thusly * shall be verified with Truck Lift manufacturer.

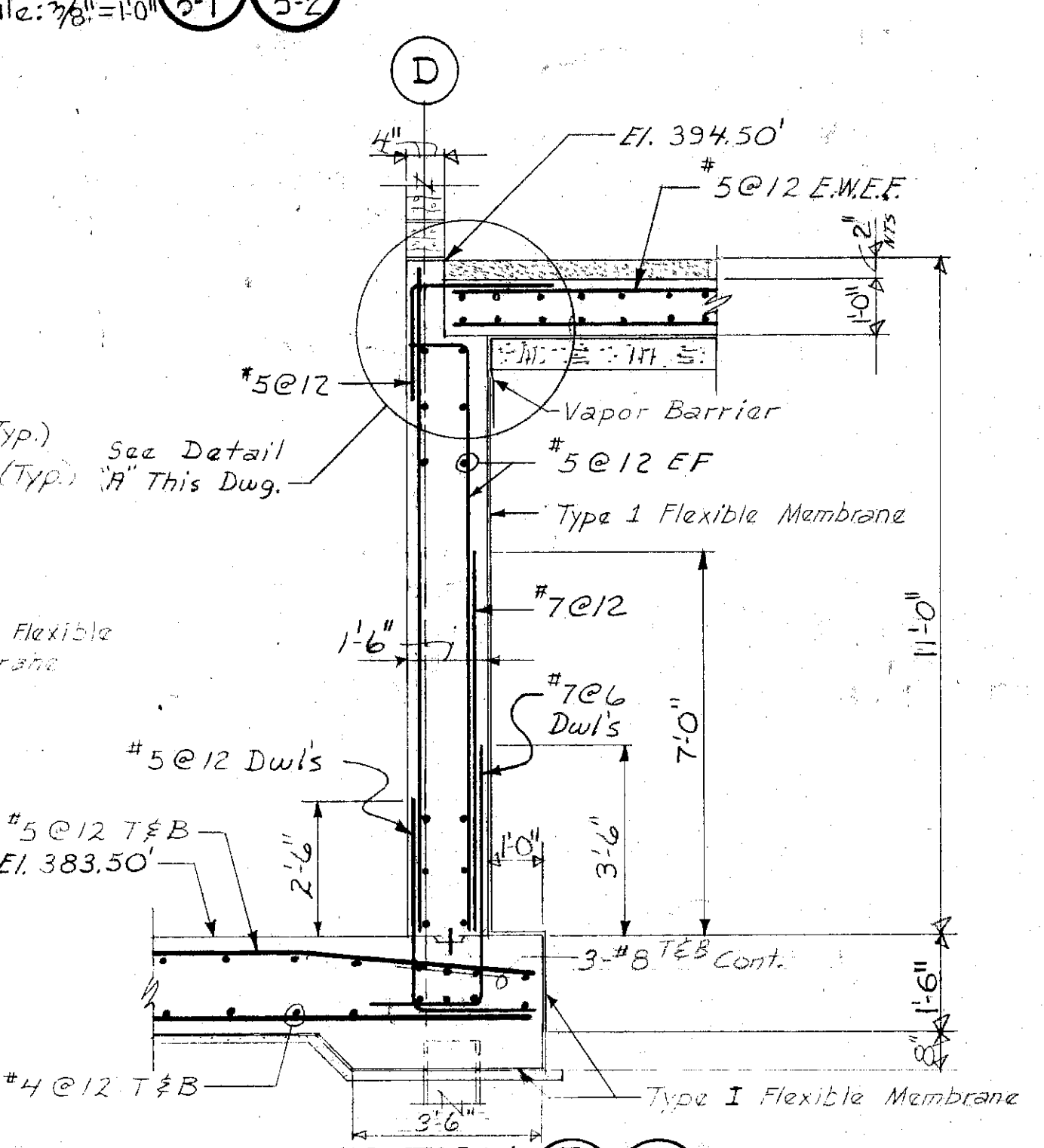
SECTION 1
Scale: 3/8" = 1'-0" 6-1 5-2

SECTION 2
Scale: 3/8" = 1'-0" 5-2

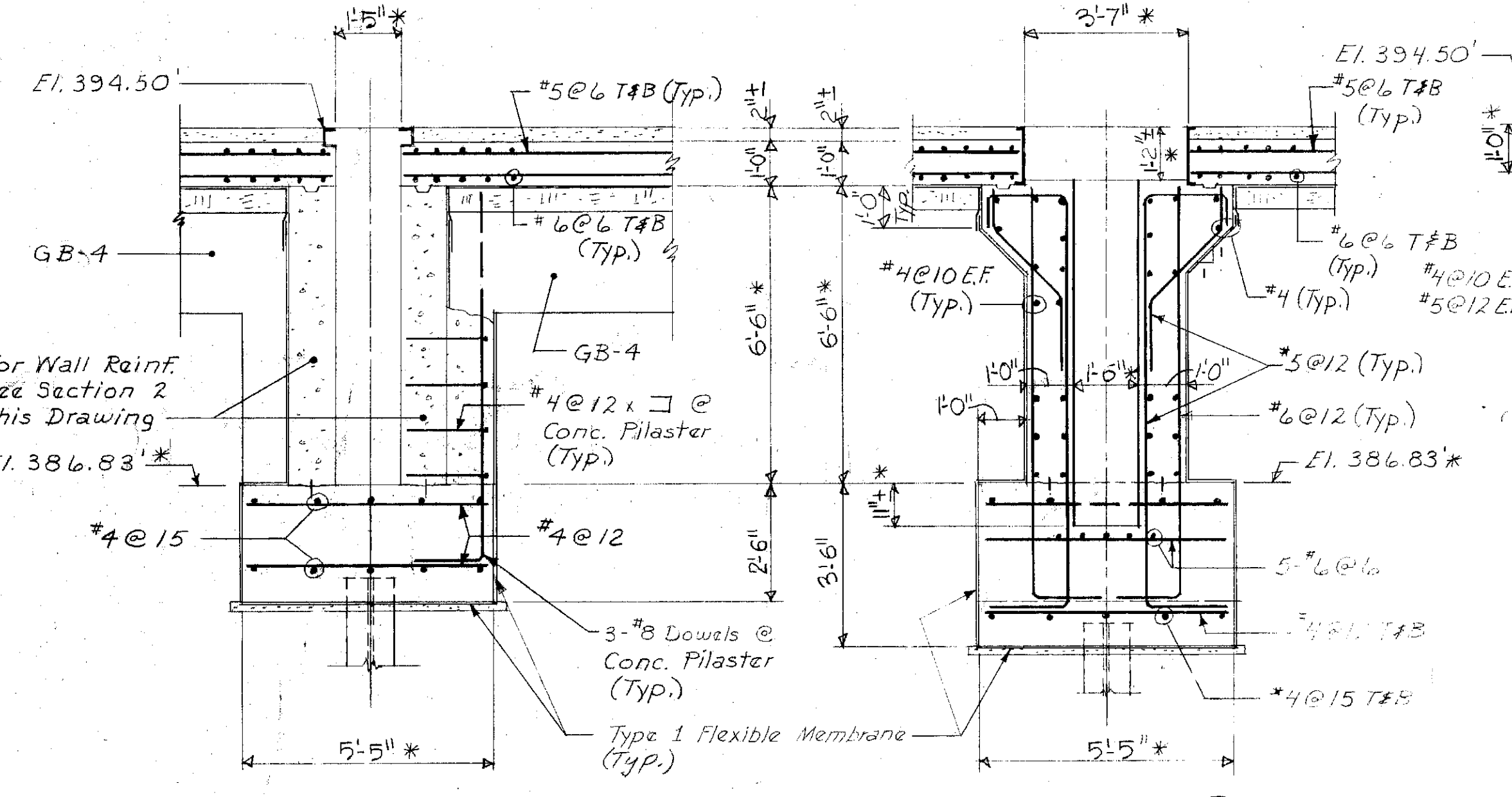
SECTION 6
Scale: 3/8" = 1'-0" 5-7



SECTION 3
Scale: 3/8" = 1'-0" 5-7

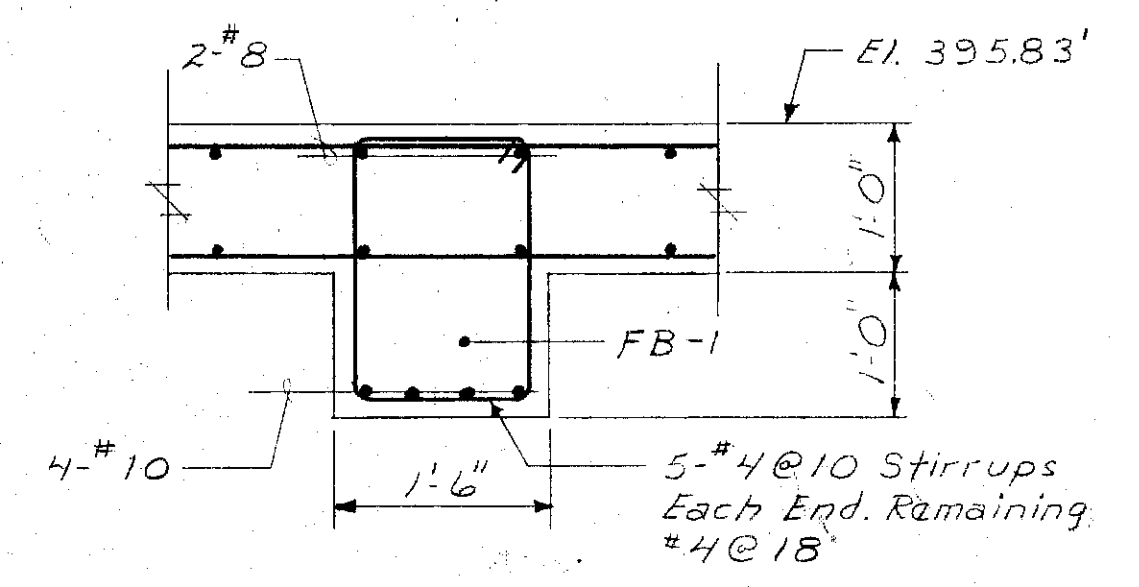


SECTION 7
Scale: 3/8" = 1'-0" 5-1 5-2



SECTION 4
Scale: 3/8" = 1'-0" 5-7

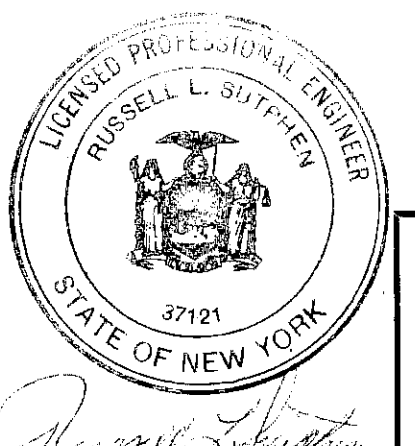
SECTION 5
Scale: 3/8" = 1'-0" 5-7



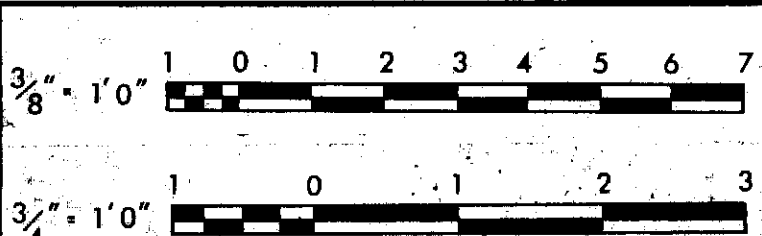
SECTION 8
Scale: 3/4" = 1'-0" 5-7

Note: Compact Type E Material under pile caps and grade beams not shown (Typ. This Dwg.)

DETAIL "A"
Scale: 3/4" = 1'-0"



In charge of *M. M. ...*
Designed by *JMS* Checked by *JMS*
Made by *D.R.T.*



NO.	DATE	REVISION	INIT.
1		General Revisions	
2		General Revisions	

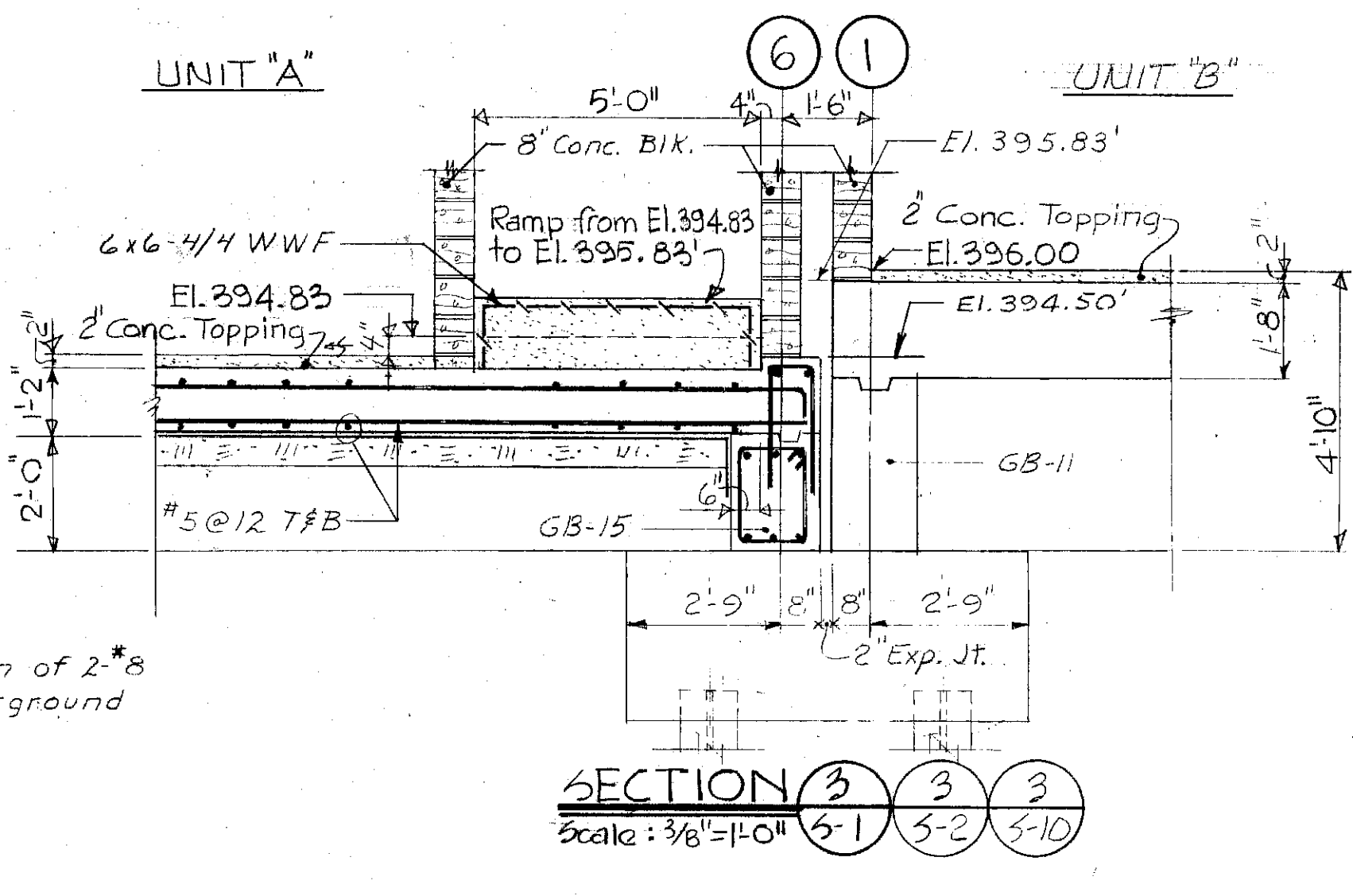
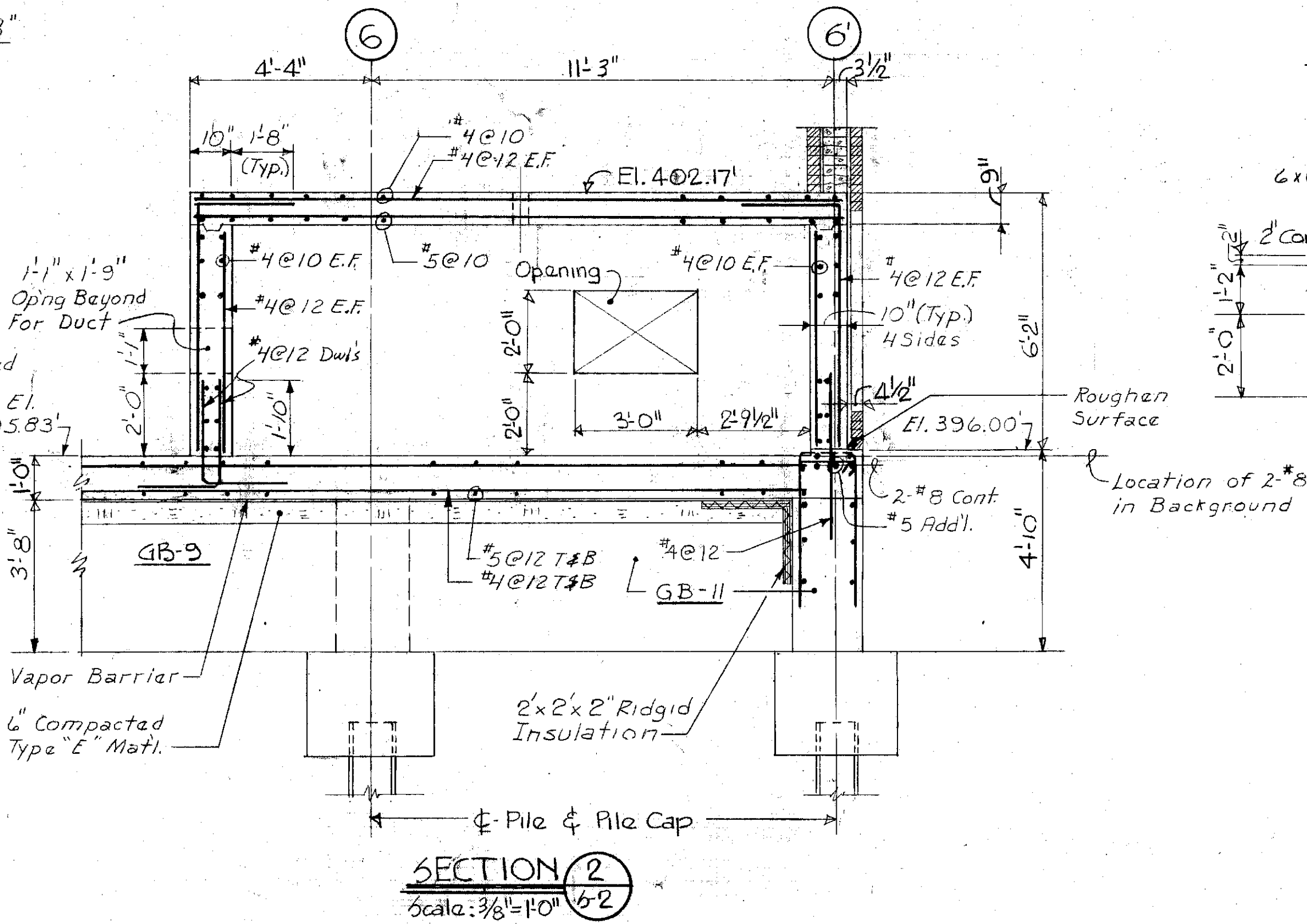
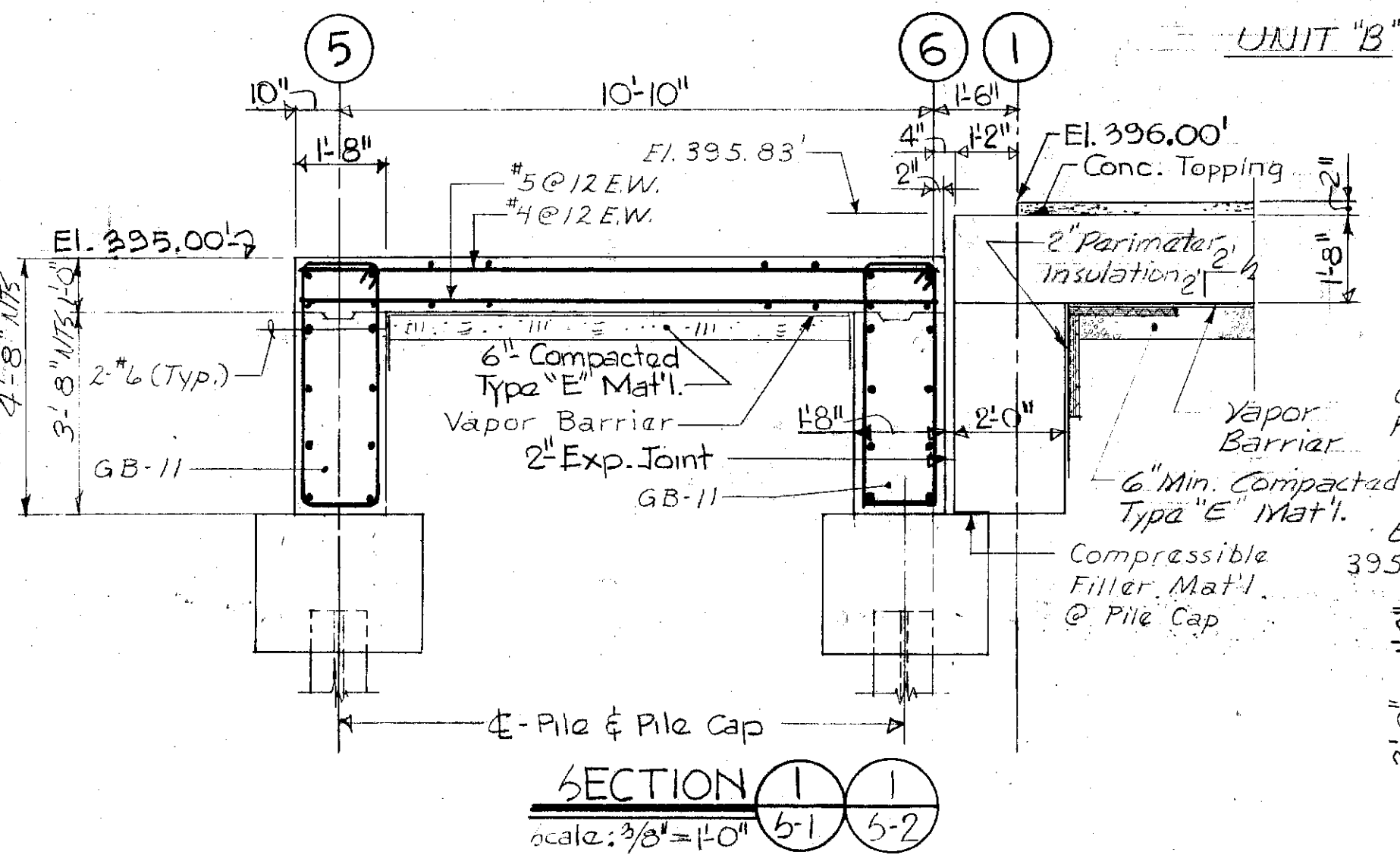
O'BRIEN & GERE
ENGINEERS, INC.
SYRACUSE, NEW YORK

CLAY SANITARY DISTRICT
OAK ORCHARD SERVICE AREA
OAK ORCHARD WATER POLLUTION CONTROL PLANT

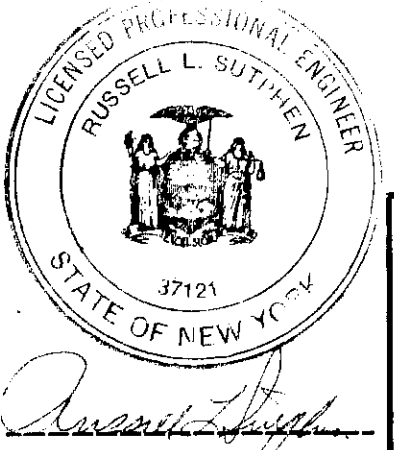
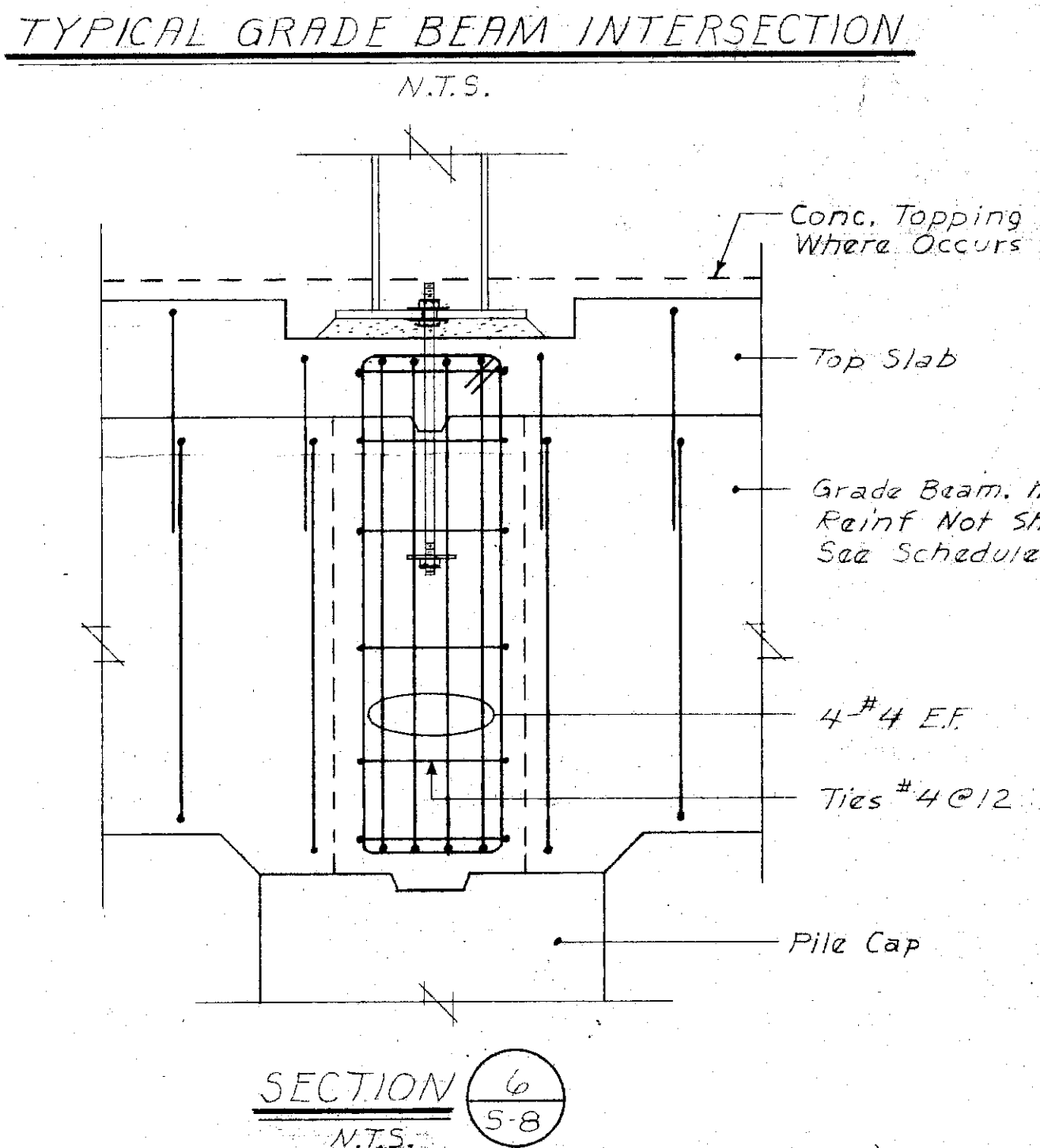
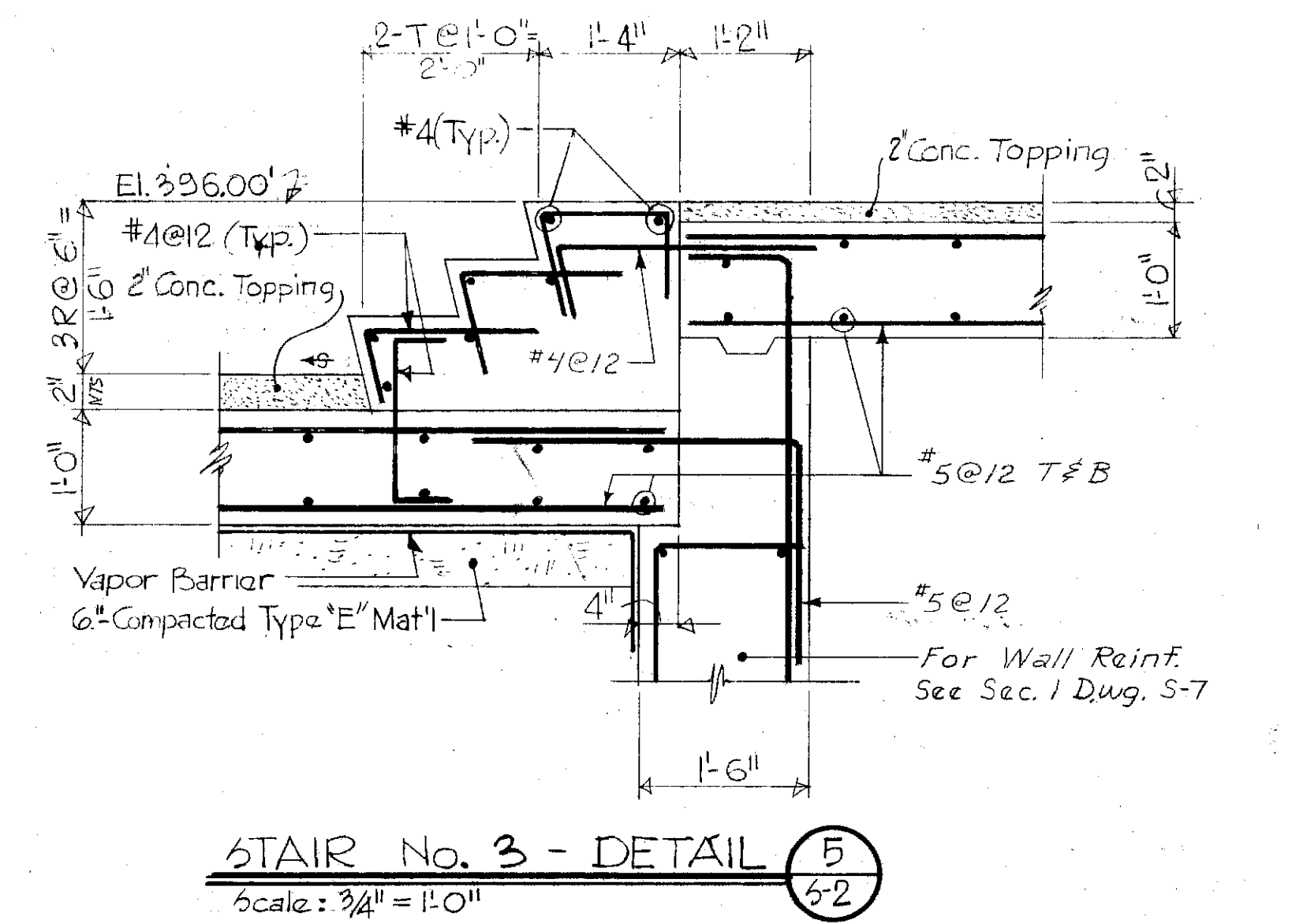
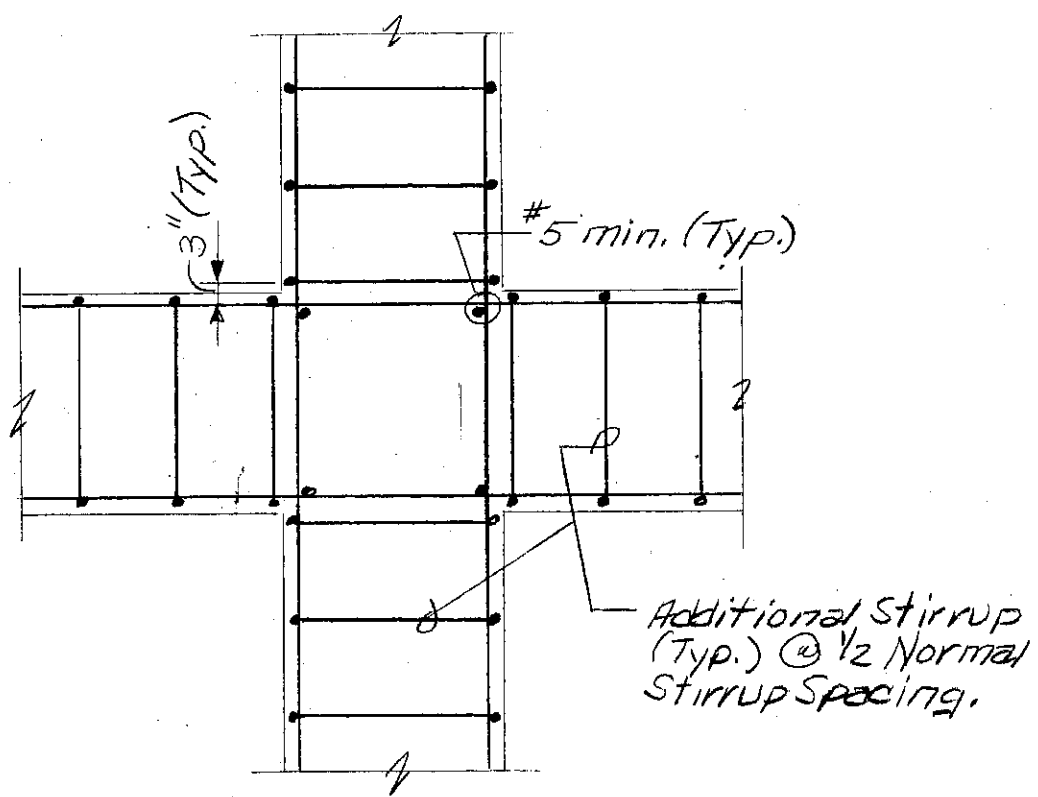
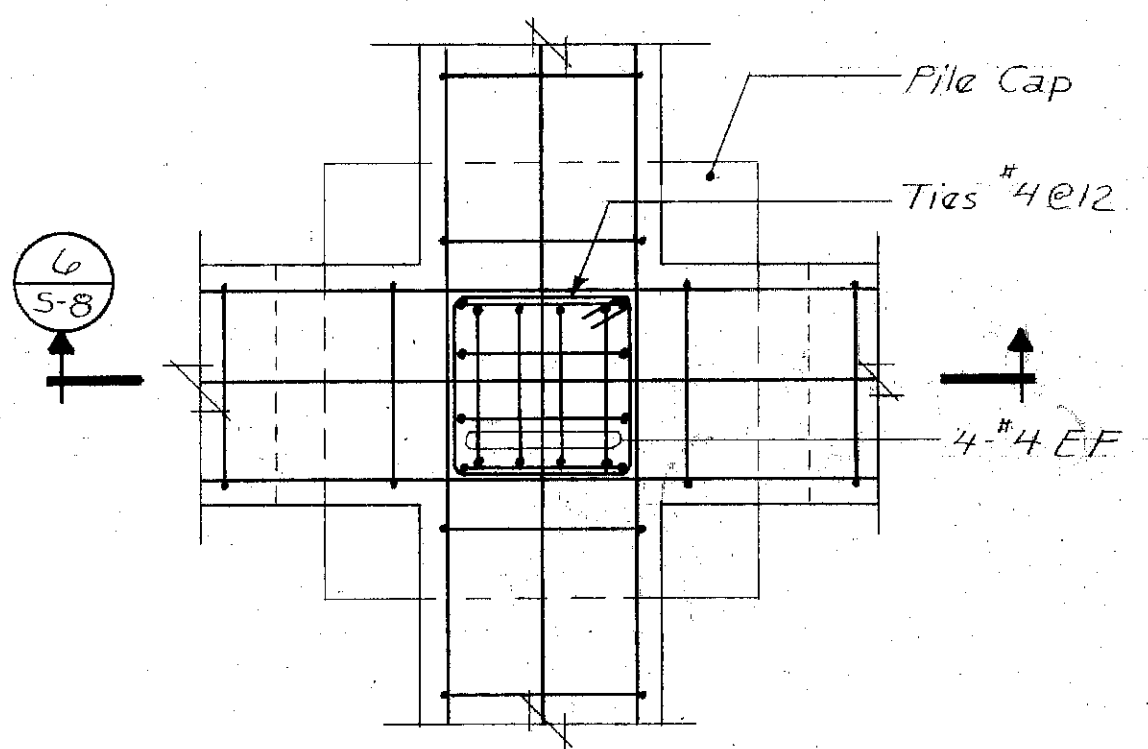
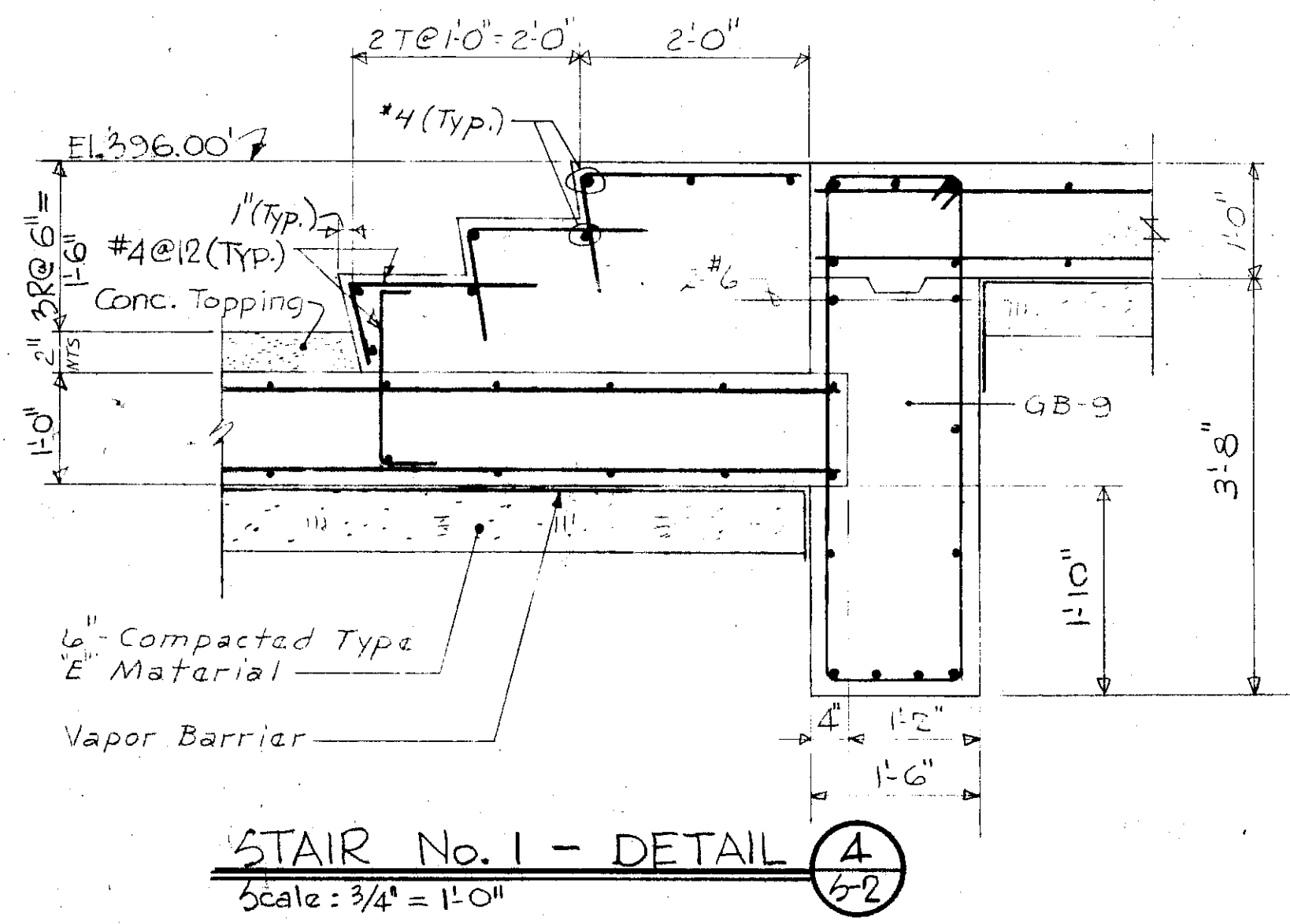
STRUCTURAL
UNIT-A
SECTIONS

FILE NO.
115.219.162F
DATE
JULY 1, 1975

S-7



Note:
Compacted Type E Material under
pile caps and grade beams not
shown (Typ this 'slug')



In charge of	1 0 1 2 3 4 5 6 7
Designed by	0 1 2 3
Checked by	
Made by	

NO.	DATE	REVISION	INIT.
1	3/19/78	General Revisions	
2	3/17/77	General Revisions	

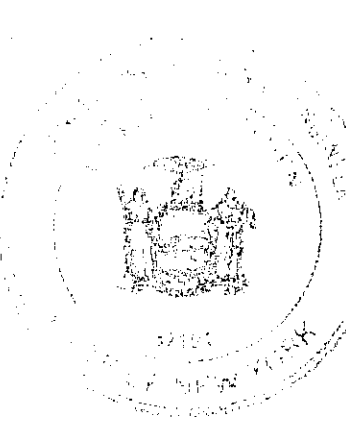
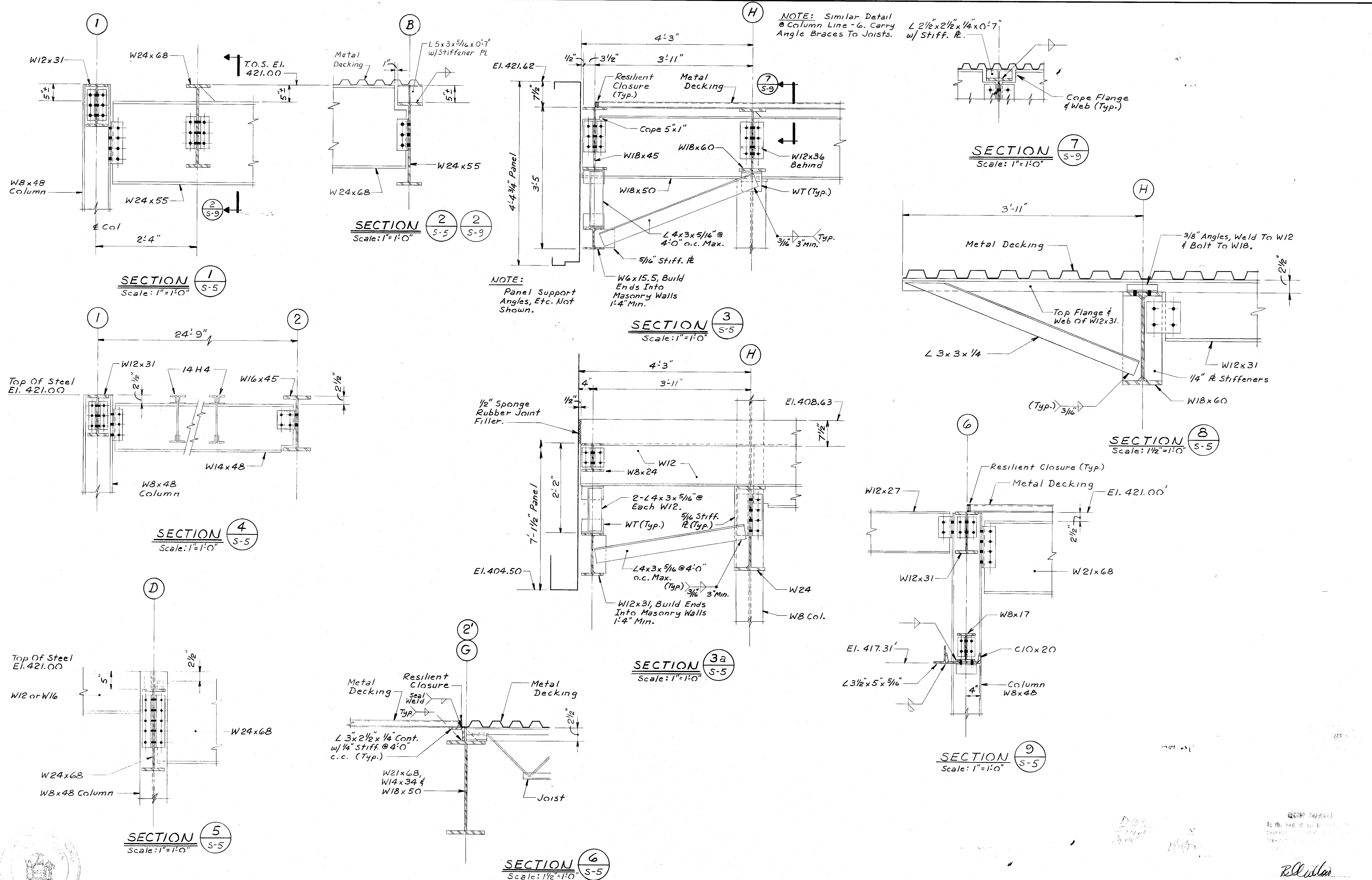


CLAY SANITARY DISTRICT
OAK ORCHARD SERVICE AREA
OAK ORCHARD WATER POLLUTION CONTROL PLANT

STRUCTURAL
UNIT A
SECTIONS

FILE NO.	115.219.163F
DATE	JULY 1, 1975
S-8	

GENERAL DRAWINGS
To the best of our knowledge, in-
formation and belief, these drawings
represent a true and correct
project as shown.
BOL yellow



In charge of <i>Umanikata</i>	NO.	DATE	REVISION	INIT.
Designed by <i>TMS</i> Checked by <i>SM</i>				
Made by <i>FCS</i>				

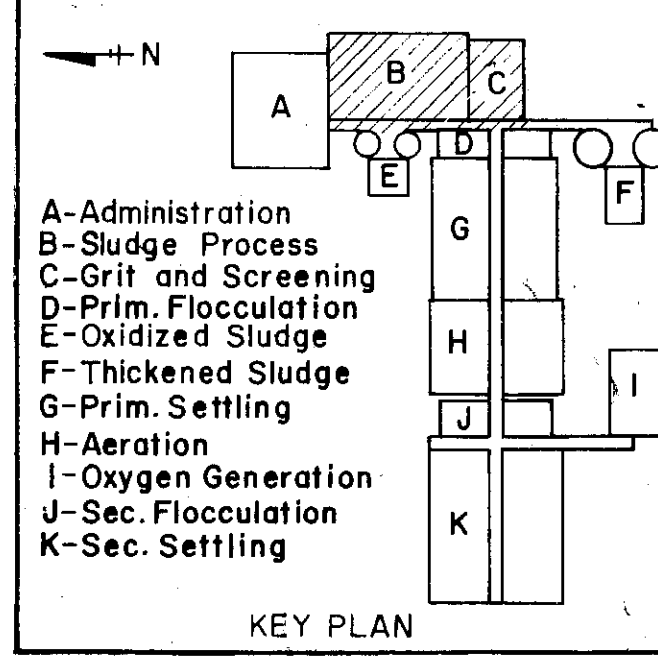
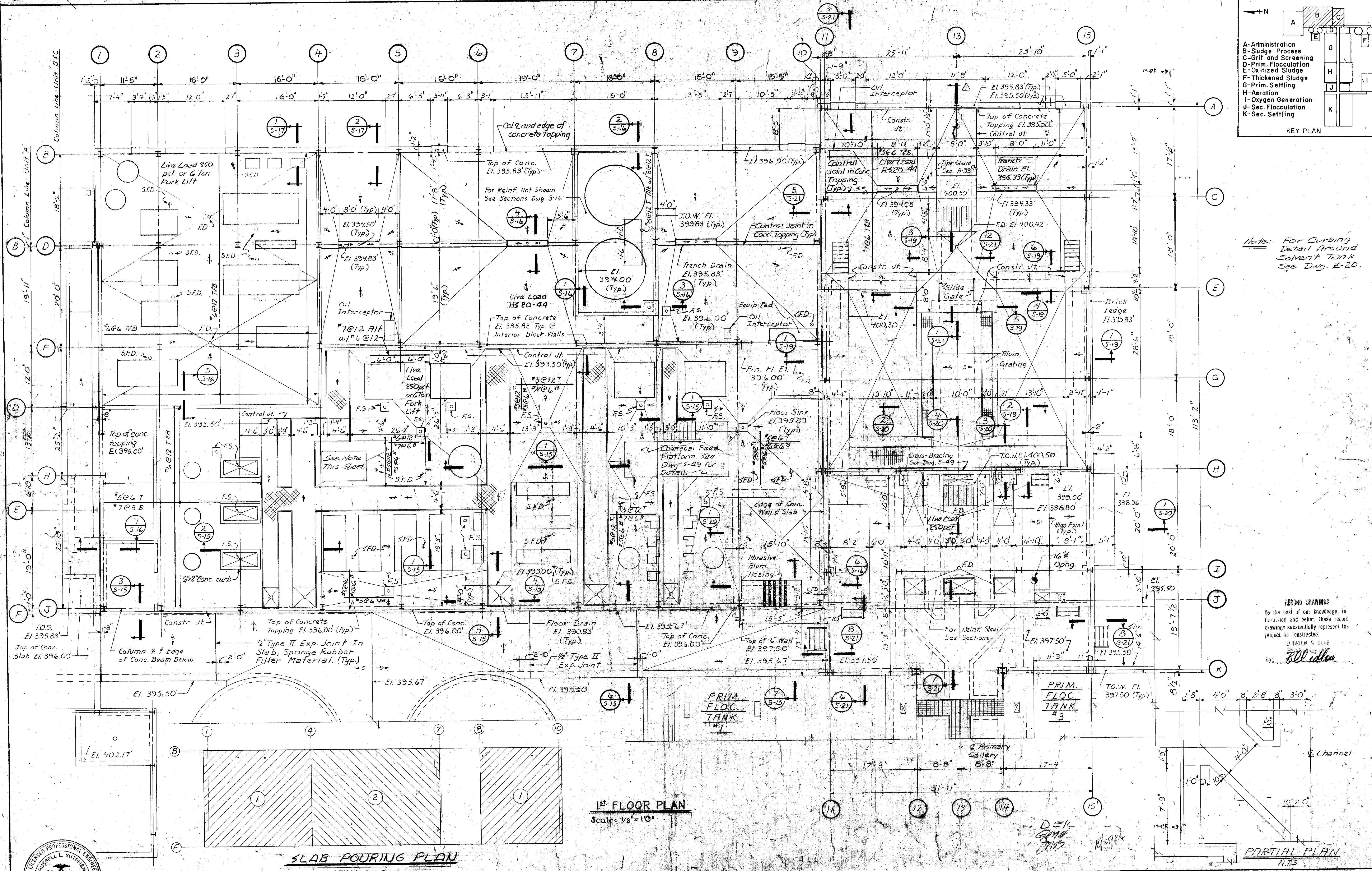
O'BRIEN & GERE
ENGINEERS, INC.
Syracuse, New York

CLAY SANITARY DISTRICT
OAK ORCHARD SERVICE AREA
OAK ORCHARD WATER POLLUTION CONTROL PLANT

STRUCTURAL
UNIT - A
DETAILS

FILE NO.
115.219-207F
DATE
JULY 1, 1975
S-9

AB



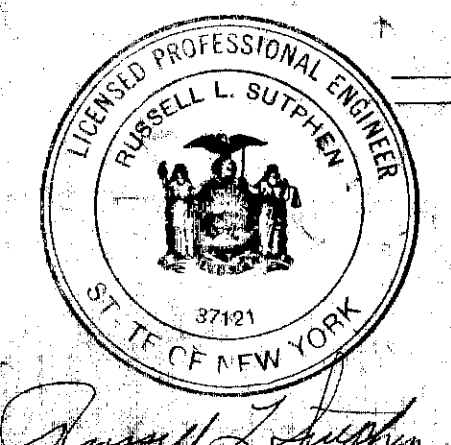
Note: For Curbing Detail Around Solvent Tank See Dwg. Z-20.

RECORD DRAWINGS
To the best of our knowledge, information and belief, these record drawings substantially represent the project as constructed.

1st FLOOR PLAN
Scale: 1/8" = 1'-0"

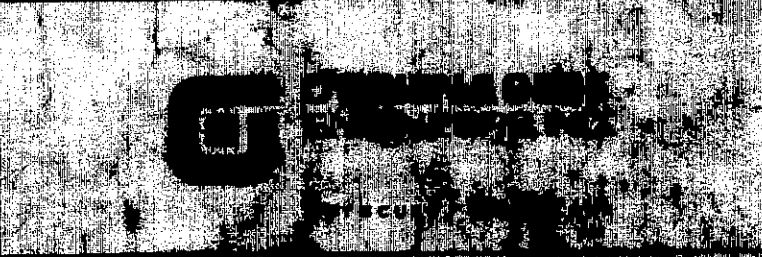
SLAB POURING PLAN
Not to scale

PARTIAL PLAN
N.T.S.



In charge of W. Manantale
Designed by JMS Checked by JMS
Made by D.R.T., RJB

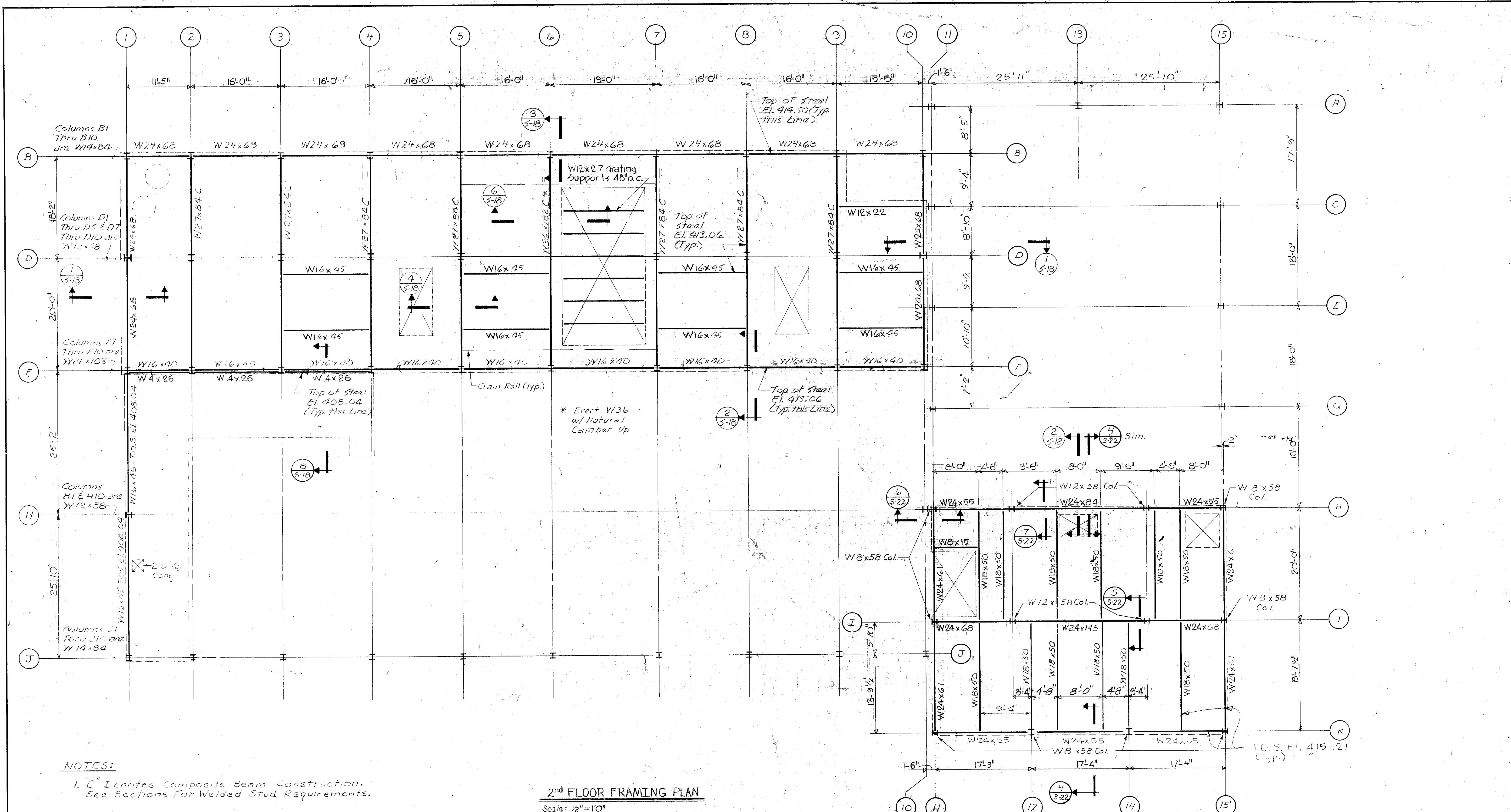
NO.	DATE	REVISION	INIT.
1		General Revisions	
2		General Revisions	
3		General Revisions	



CLAY SANITARY DISTRICT
OAK ORCHARD SERVICE AREA
OAK ORCHARD WATER POLLUTION CONTROL PLANT

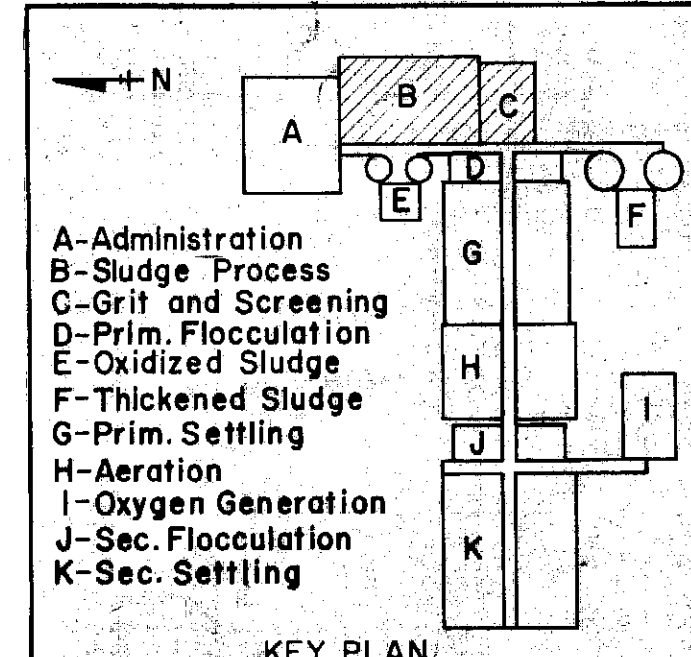
STRUCTURAL
UNIT B & C
FIRST FLOOR PLAN

FILE NO. 115.219.166F
DATE JULY 1, 1975
S-11

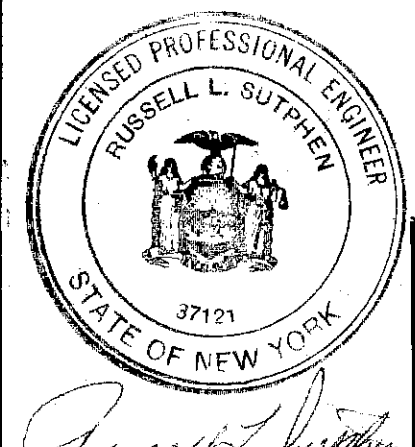


NOTES:
 1. C¹ Denotes Composite Beam Construction. See Sections For Welded Stud Requirements.

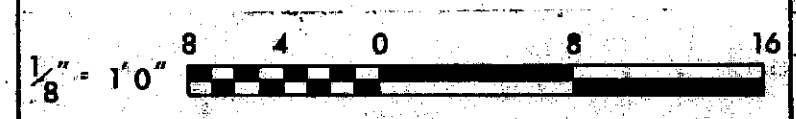
2nd FLOOR FRAMING PLAN
 Scale: 1/8" = 1'-0"



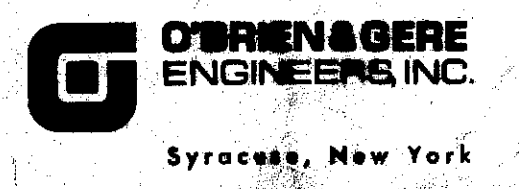
SECTION DRAWINGS
 To the best of our knowledge, information and belief, these record drawings substantially represent the project as constructed.
 O'BRIEN & REBE
 ENGINEERS, INC.
 By: *[Signature]*



In charge of *[Signature]*
 Designed by *[Signature]* Checked by *[Signature]*
 Made by *[Signature]*



NO.	DATE	REVISION	INIT.
2/1/78		General Revisions	[Signature]
3/1/77		General Revisions	[Signature]

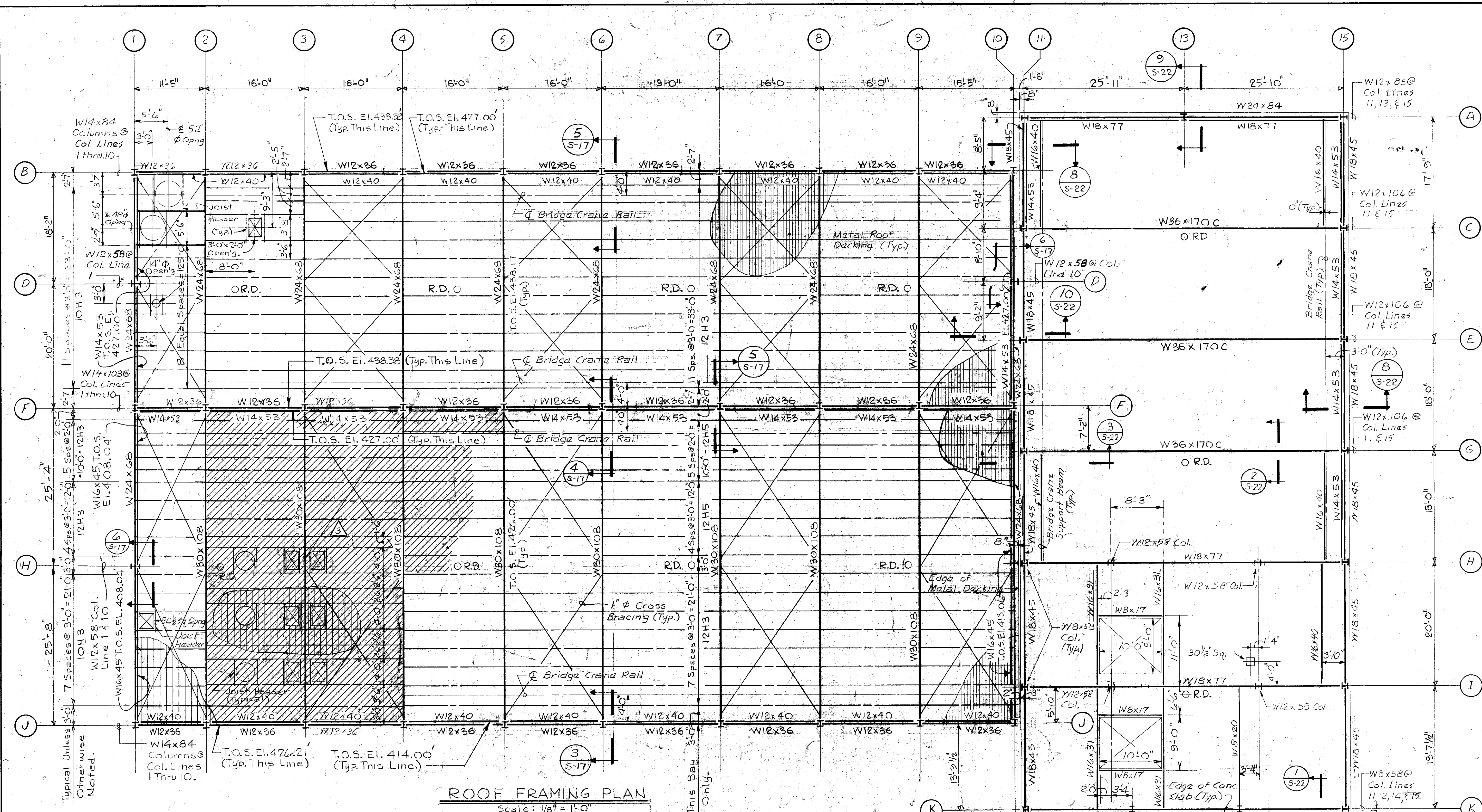


CLAY SANITARY DISTRICT
 OAK ORCHARD SERVICE AREA
 OAK ORCHARD WATER POLLUTION CONTROL PLANT

STRUCTURAL
 SECOND FLOOR UNIT B & C
 FRAMING PLAN

FILE NO. 115.219.168F
 DATE JULY 1, 1975
 S-13

AB



ROOF FRAMING PLAN
Scale: 1/8" = 1'-0"

- NOTES FOR UNITS "B" & "C":**
1. Provide Extended Ends Of Open Web Joists At Column Lines 1 & 10 As Required By The Architectural Details.
 2. All Dimensions For The Roof Framing Is To The ϵ Of Columns. See The Sections And Details For Beam Offsets As Required.
 3. See Drawing S-49 For Cross-bracing Details.

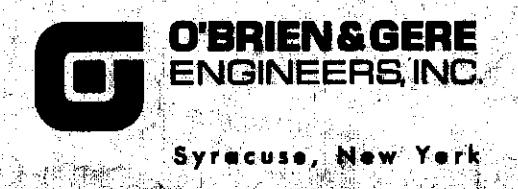
AS-BUILT NOTES:
 // For Roof Framing
 // Changes In This Area See Dwg. Z-18

- NOTES FOR UNIT-C:**
1. Concrete Roof Slab Shall be 10" Thick @ Edges & High Points & Slope to 8" @ Roof Drains. See Dwg. A-21 For High Point Locations.
 2. "C" Denotes Composite Beam Construction. See Sections For Welded Stud Requirements.
 3. See Sections For Top Of Steel Elevations.



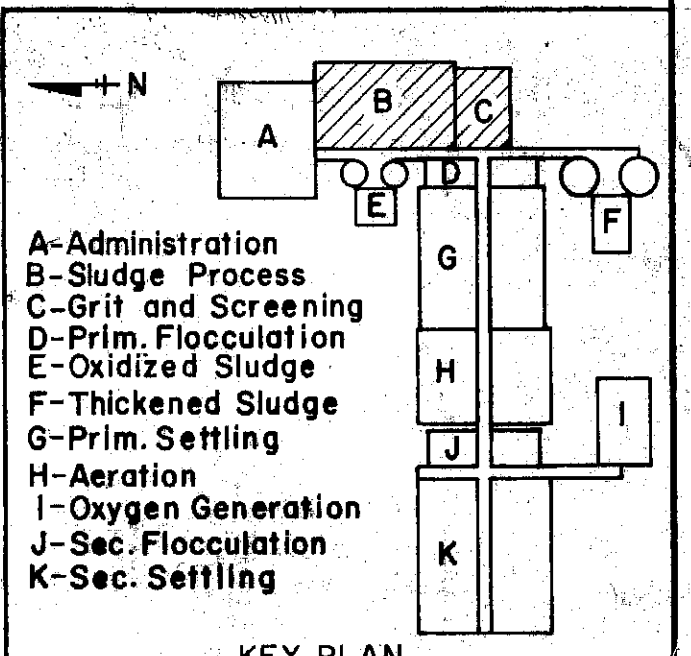
In charge of M. M. M. M.
 Designed by JMS Checked by G.M.
 Made by D.R.T., GPK

NO.	DATE	REVISION	INIT.
1	2/14/78	General Revisions	
2	2/24/77	General Revisions	



CLAY SANITARY DISTRICT
 OAK ORCHARD SERVICE AREA
 OAK ORCHARD WATER POLLUTION CONTROL PLANT

STRUCTURAL
 UNIT B & C
ROOF FRAMING PLAN



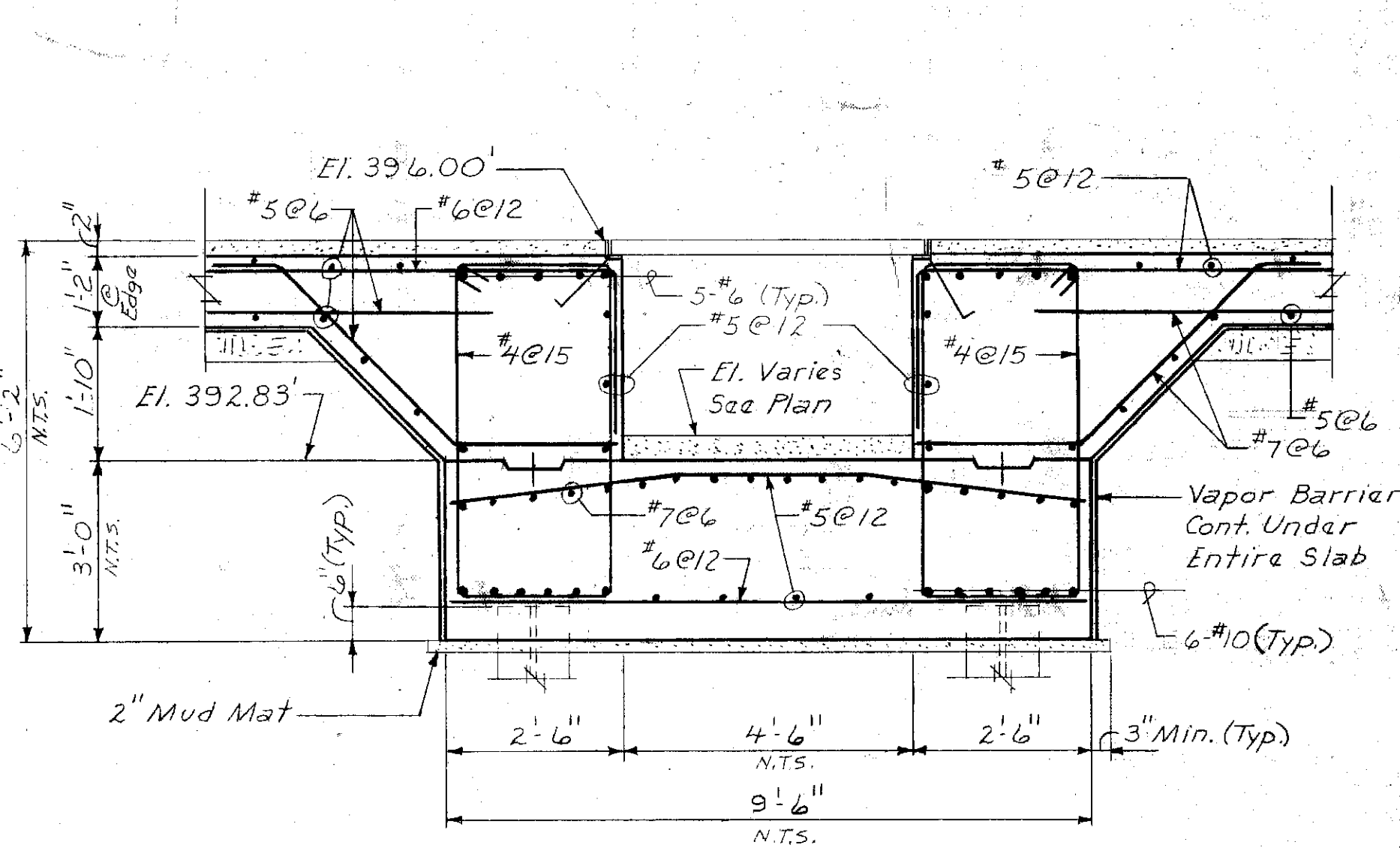
KEY PLAN

A-Administration
 B-Sludge Processing
 C-Grit and Screening
 D-Prim. Flocculation
 E-Oxidized Sludge
 F-Thickened Sludge
 G-Prim. Settling
 H-Aeration
 I-Oxygen Generation
 J-Sec. Flocculation
 K-Sec. Settling

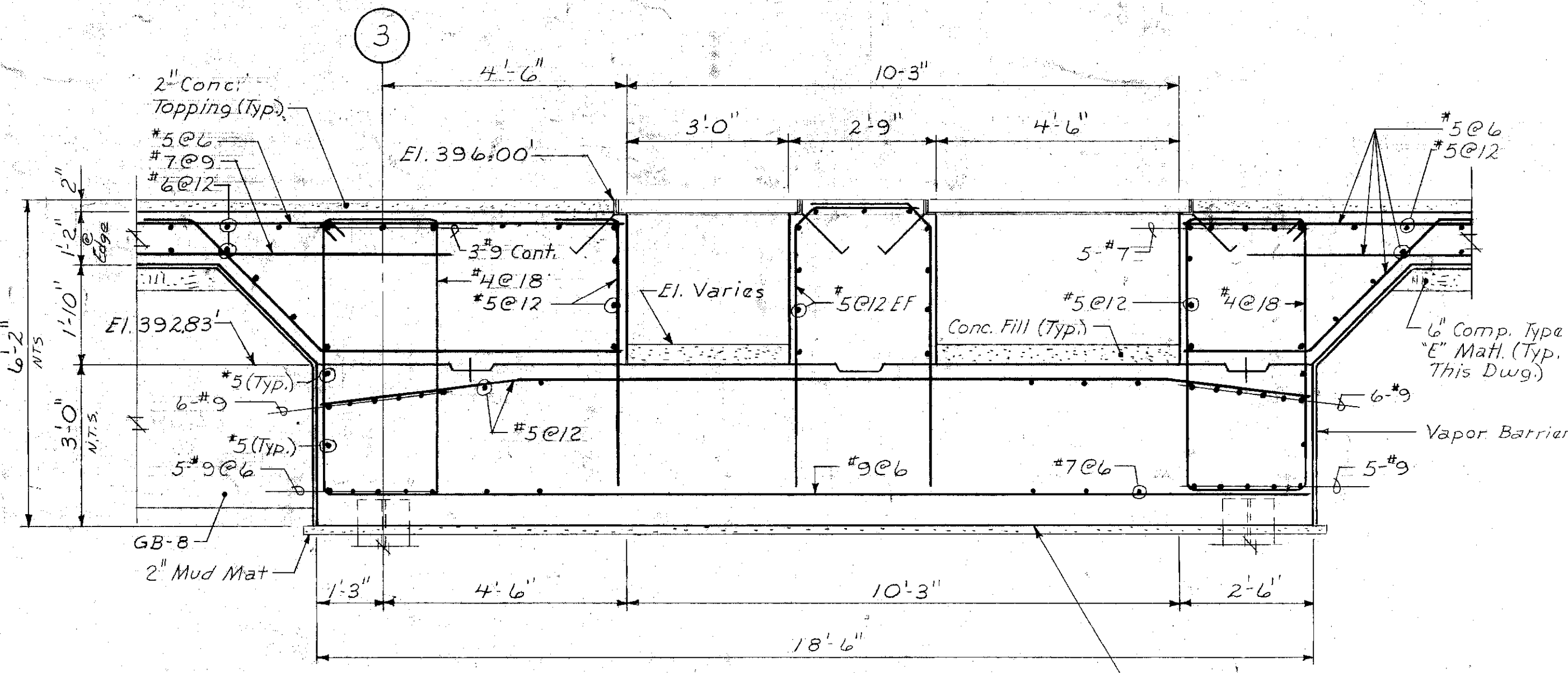
FILE NO. 115.219.169F
 DATE JULY 1, 1975
 S-14

For Additional Information See Sheets Z-18, RD-13

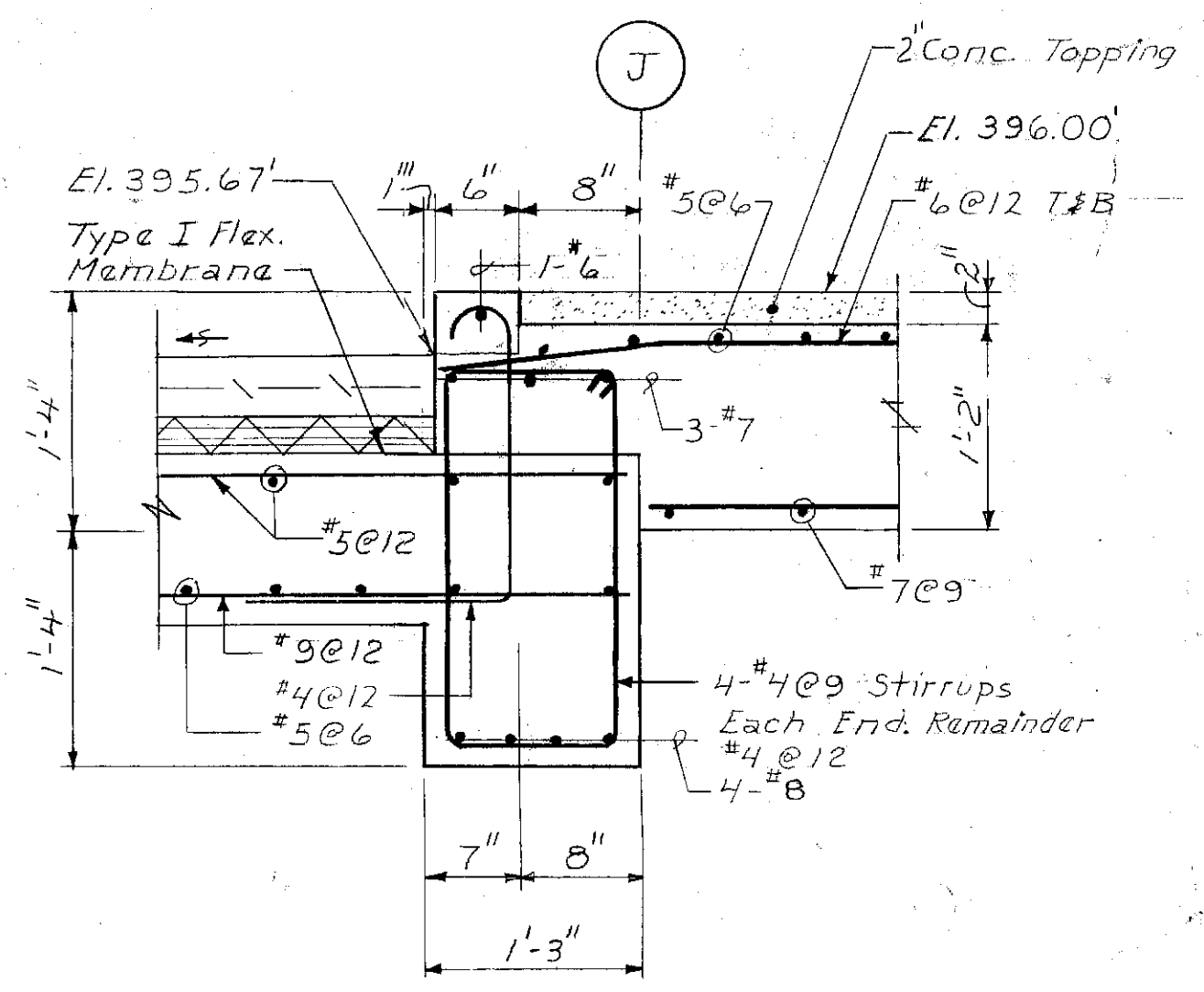
RECORD DRAWING
 To the best of our knowledge, in-
 complete and belief, these record
 drawings substantially represent the
 project as constructed.
 J. J. O'Brien
 J. L. Gere



SECTION 1
Scale: 1/2" = 1'-0"

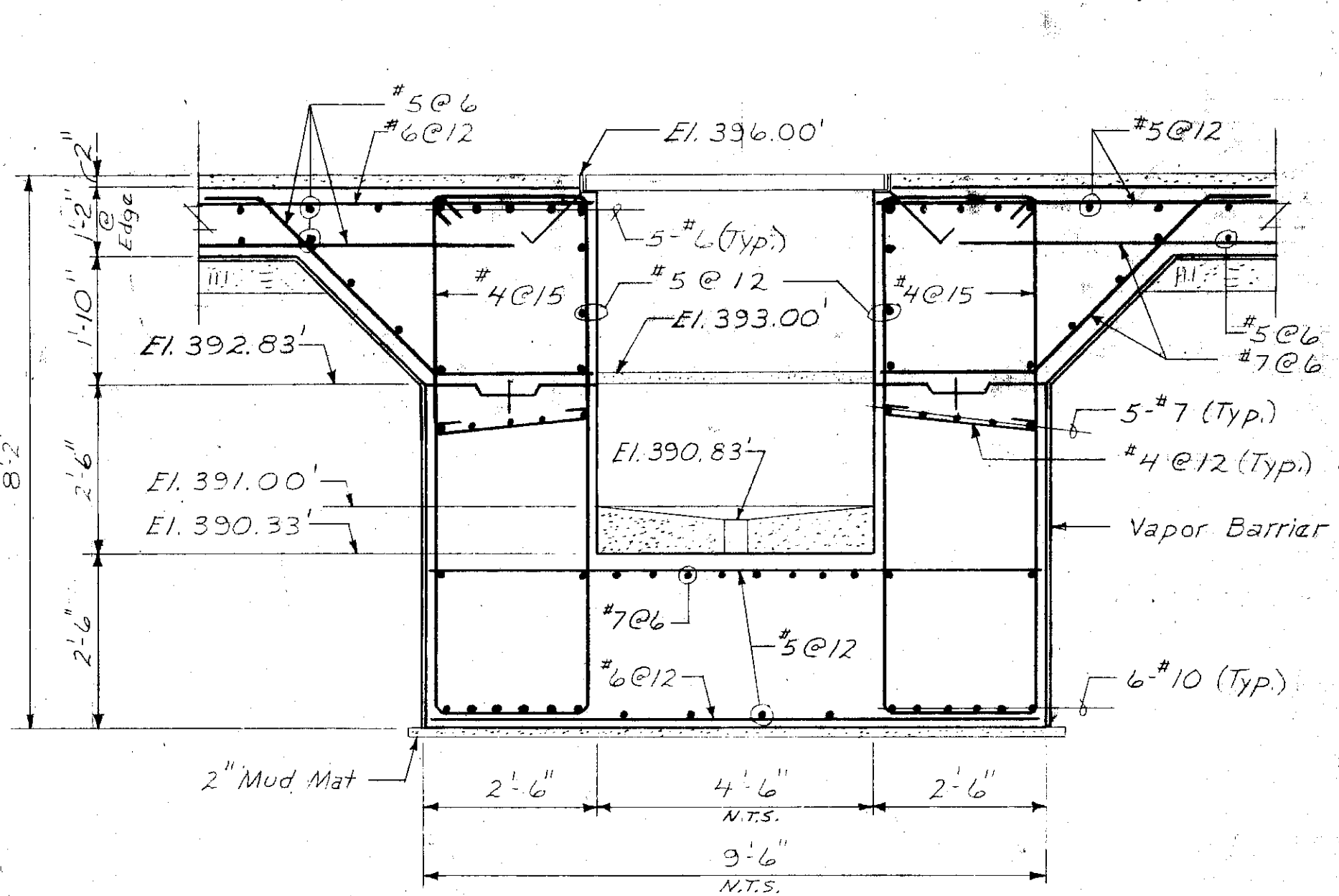


SECTION 2
Scale: 1/2" = 1'-0"

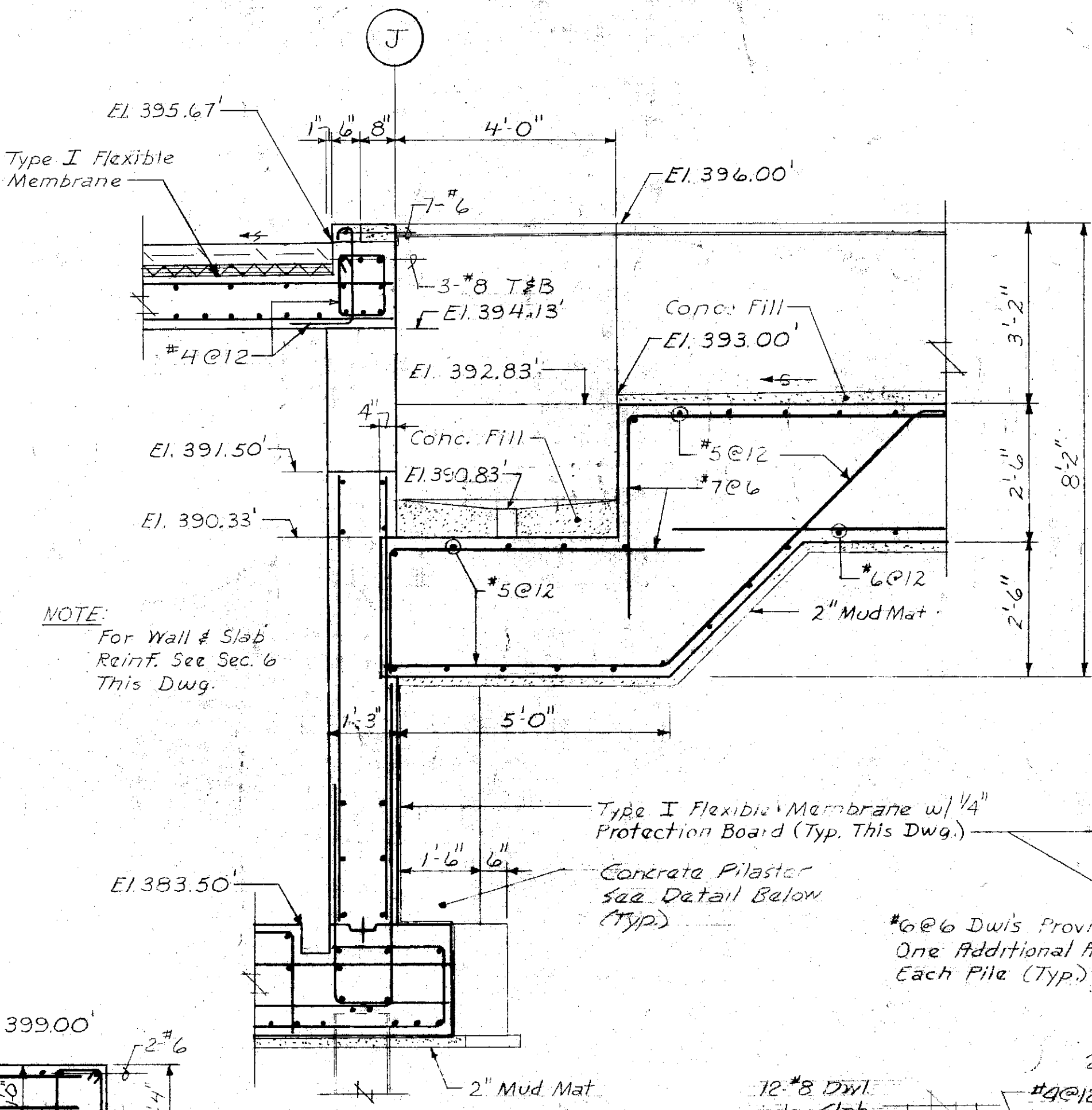


SECTION 3
Scale: 1" = 1'-0"

NOTE:
Compacted type 'E' material under slabs not shown (Typ. this Dwg.)

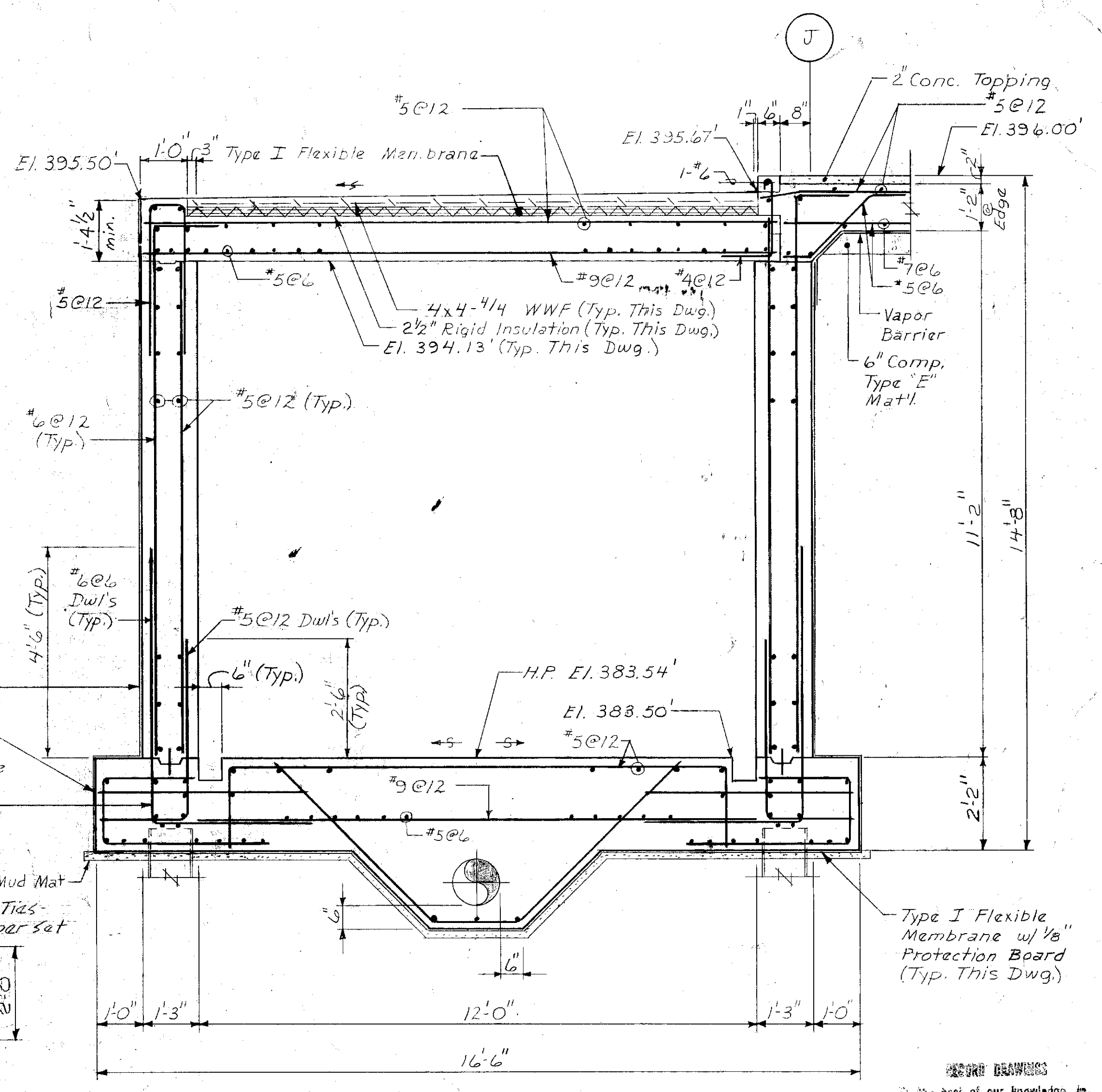


SECTION 4
Scale: 1/2" = 1'-0"

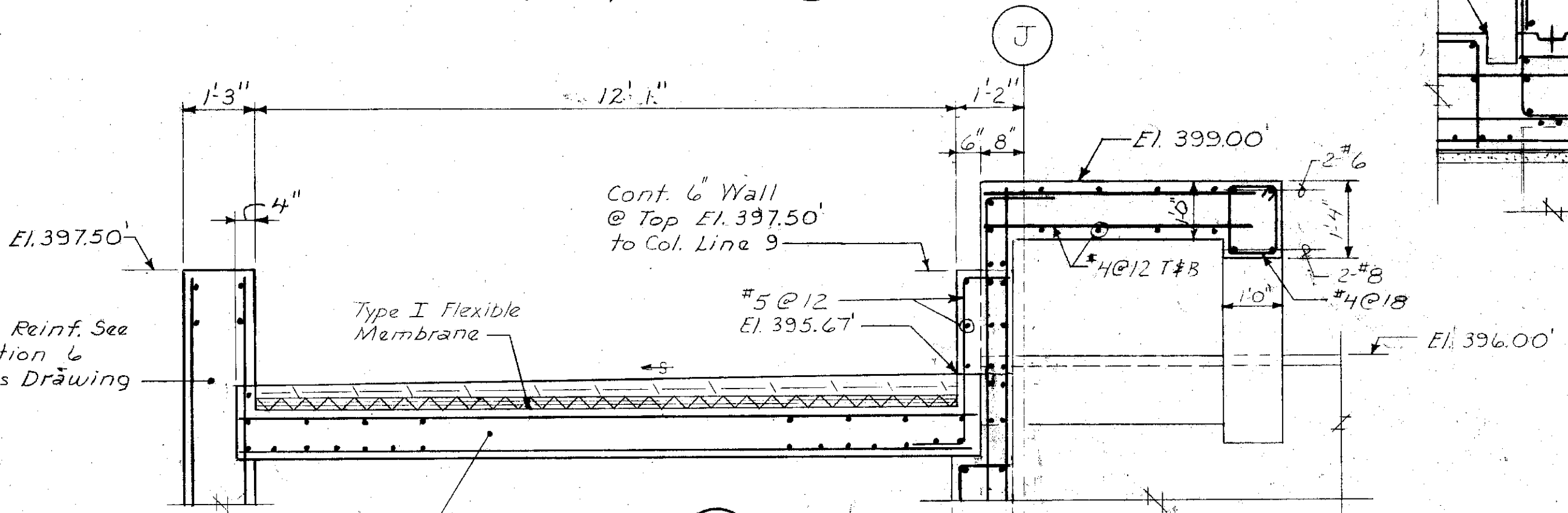


SECTION 5
Scale: 1/2" = 1'-0"

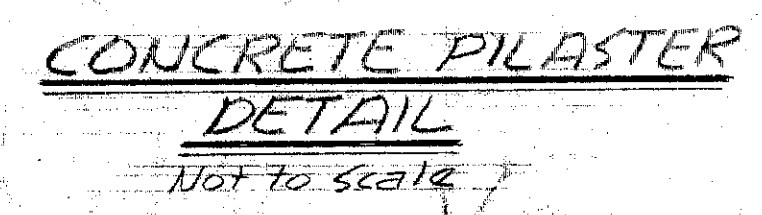
NOTE:
For Wall & Slab Reinf. See Sec. 6 This Dwg.



SECTION 6
Scale: 1/2" = 1'-0"



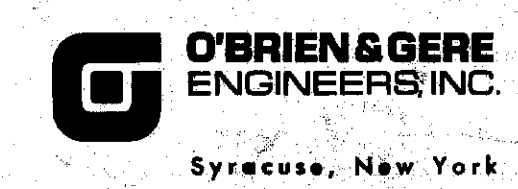
SECTION 7
Scale: 1/2" = 1'-0"



CONCRETE PILASTER DETAIL
Not to Scale



In charge of <u>M. Wanktala</u>	NO.	DATE	REVISION	INIT.
Designed by <u>TMS</u> Checked by <u>TMS</u>				
Made by <u>RJB</u>				

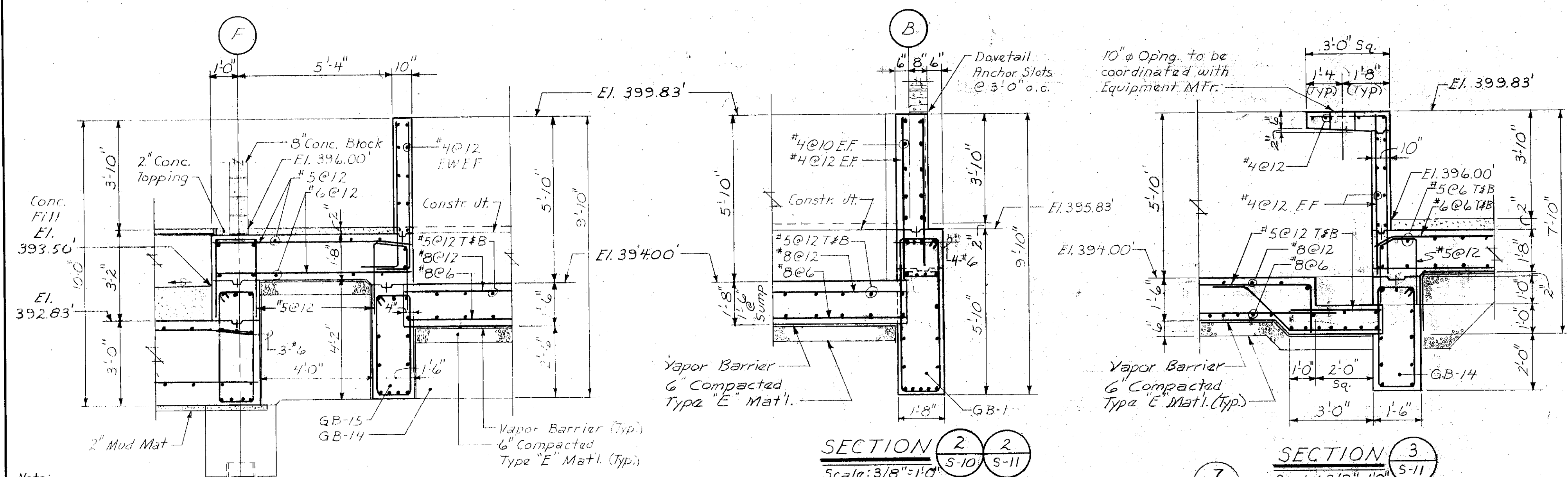


CLAY SANITARY DISTRICT
OAK ORCHARD SERVICE AREA
OAK ORCHARD WATER POLLUTION CONTROL PLANT

STRUCTURAL
UNIT-B
SECTIONS

FILE NO. 115.219.170F	S-15
DATE JULY 1, 1975	

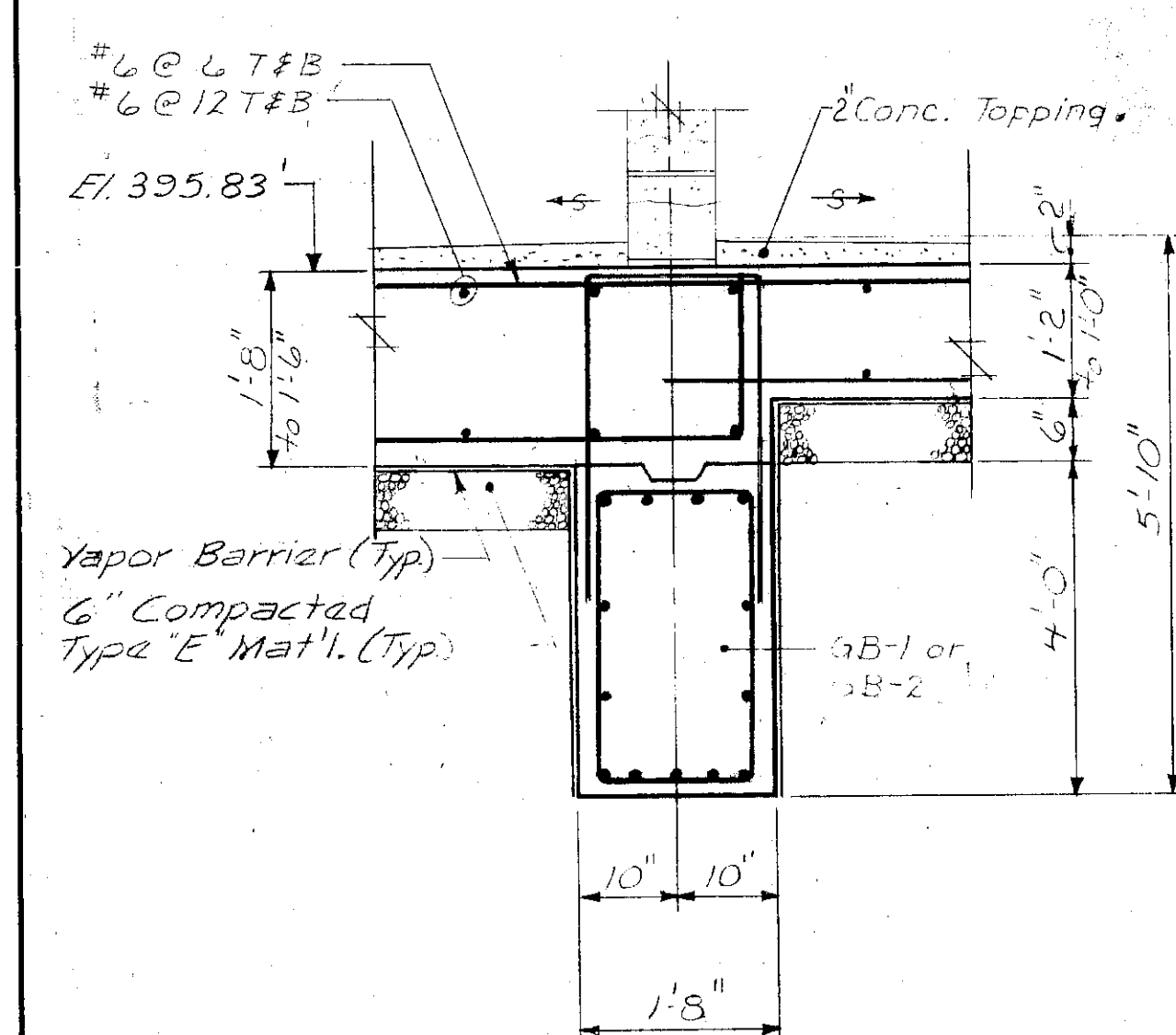
DR. BRANNERS
To the best of our knowledge, information and belief, these record drawings substantially represent the project as constructed.
O'BRIEN & GERE
ENR. 100
Bill Walker



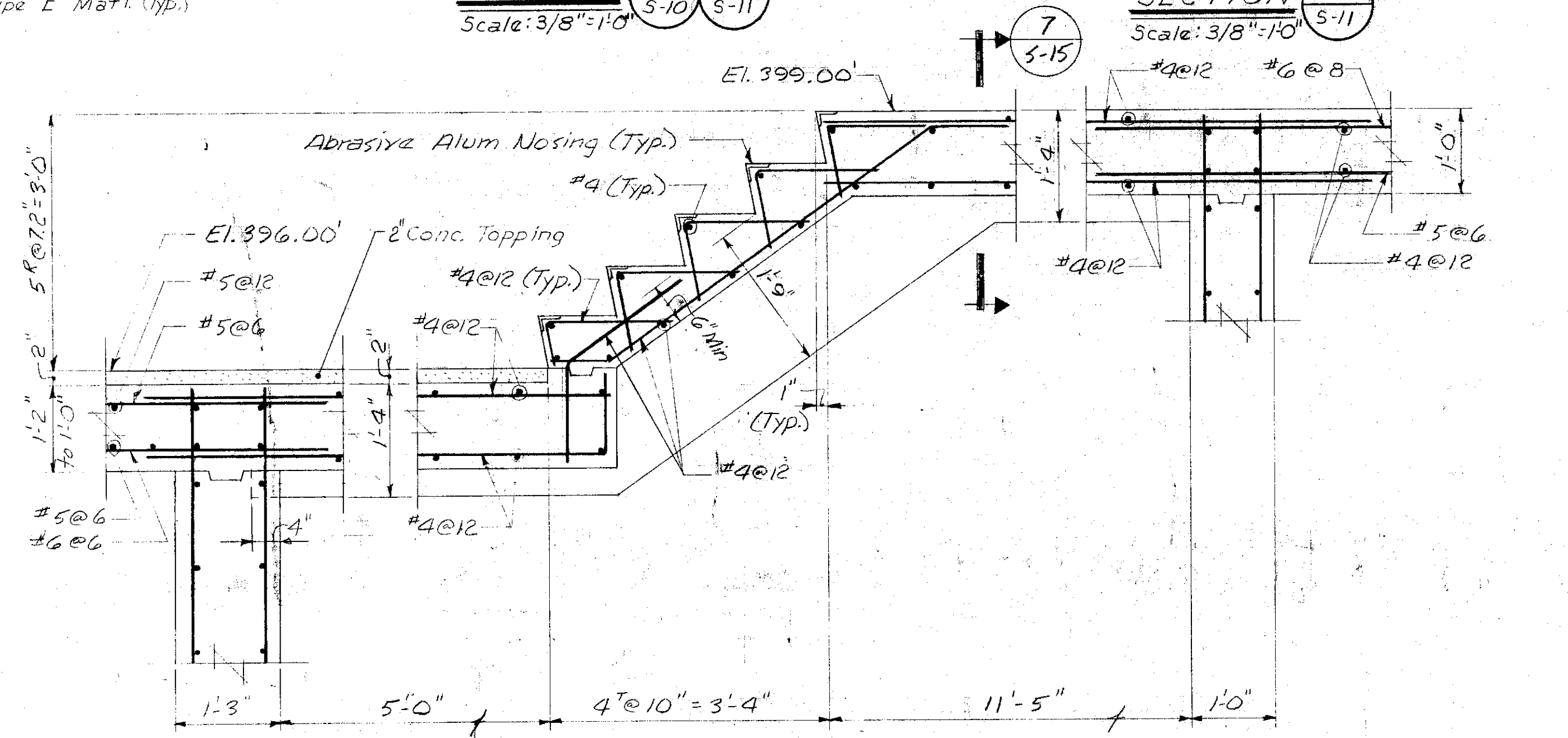
Note:
Compacted Type "E"
Material Under Pile
Caps & Grade Beams
Not Shown (Typ This
Drawing)

SECTION 1
Scale: 3/8"=1'-0"
S-10 S-11

SECTION 2
Scale: 3/8"=1'-0"
S-10 S-11



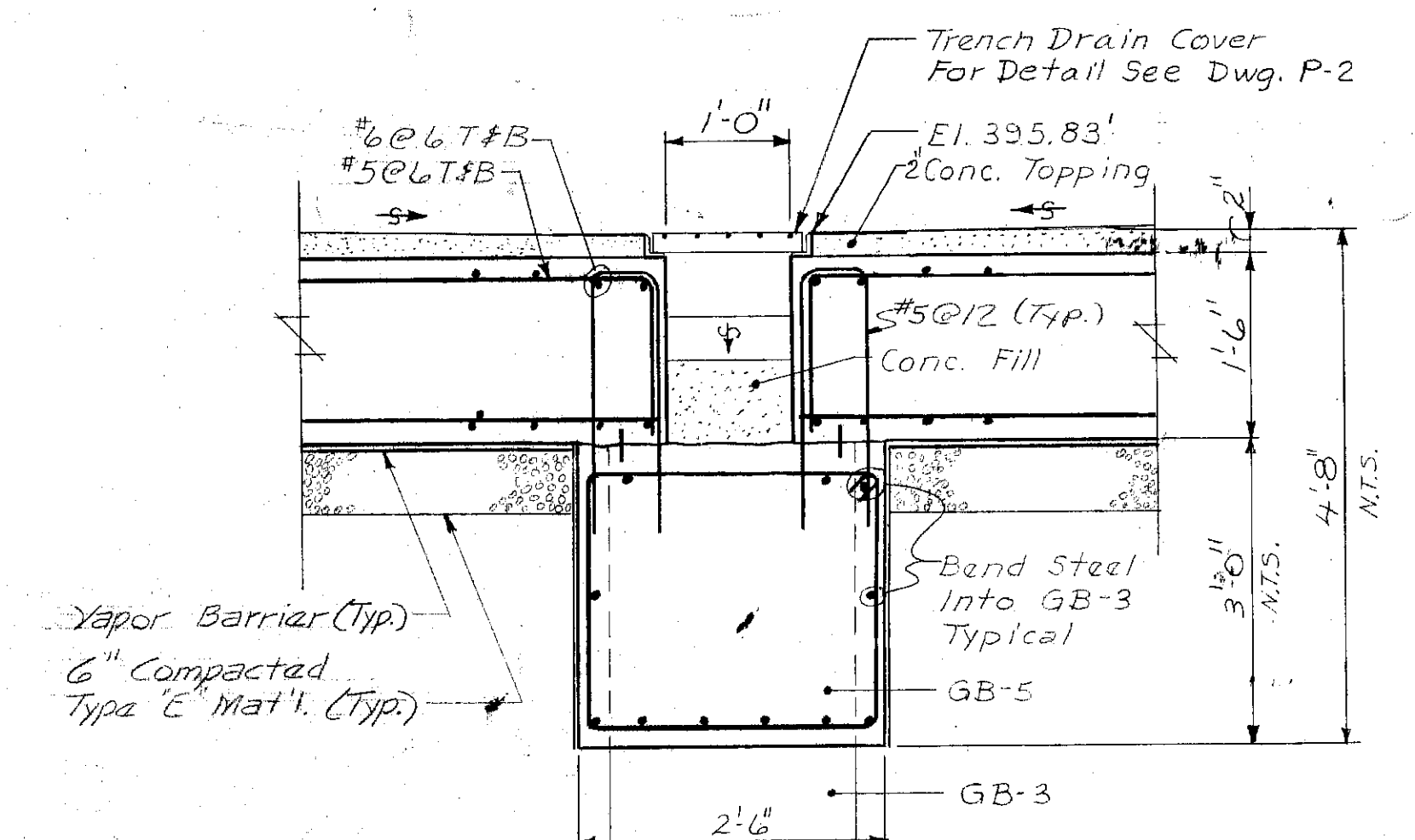
SECTION 5
N.T.S.
S-10 S-11



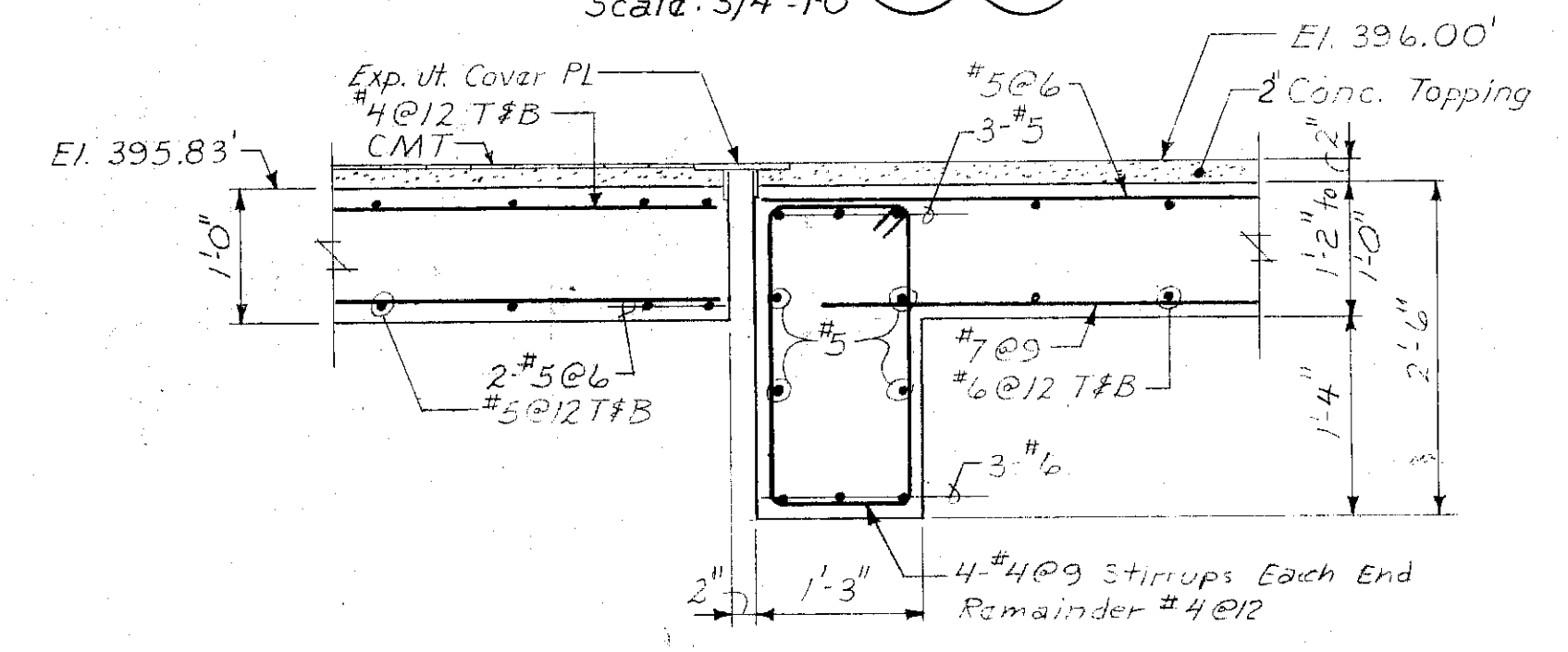
SECTION 6
Scale: 3/4"=1'-0"
S-11

SECTION 3
Scale: 3/8"=1'-0"
S-11

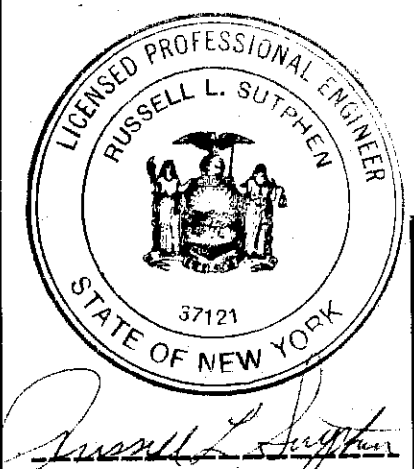
SECTION 7
S-15



SECTION 4
Scale: 3/4"=1'-0"
S-10 S-11

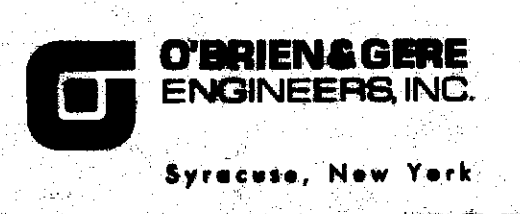


SECTION 7
Scale: 3/4"=1'-0"
S-2 S-11



In charge of *Russell L. Sutphen*
Designed by *TMS* Checked by *TMS*
Made by *RJB*

NO.	DATE	REVISION	INIT.
1	2/14/78	General Revisions	<i>[Signature]</i>
2	2/21/77	General Revisions	<i>[Signature]</i>



CLAY SANITARY DISTRICT
OAK ORCHARD SERVICE AREA
OAK ORCHARD WATER POLLUTION CONTROL PLANT

STRUCTURAL
UNIT-B
SECTIONS

FILE NO. 115.219.171F	S-16
DATE JULY 1, 1975	

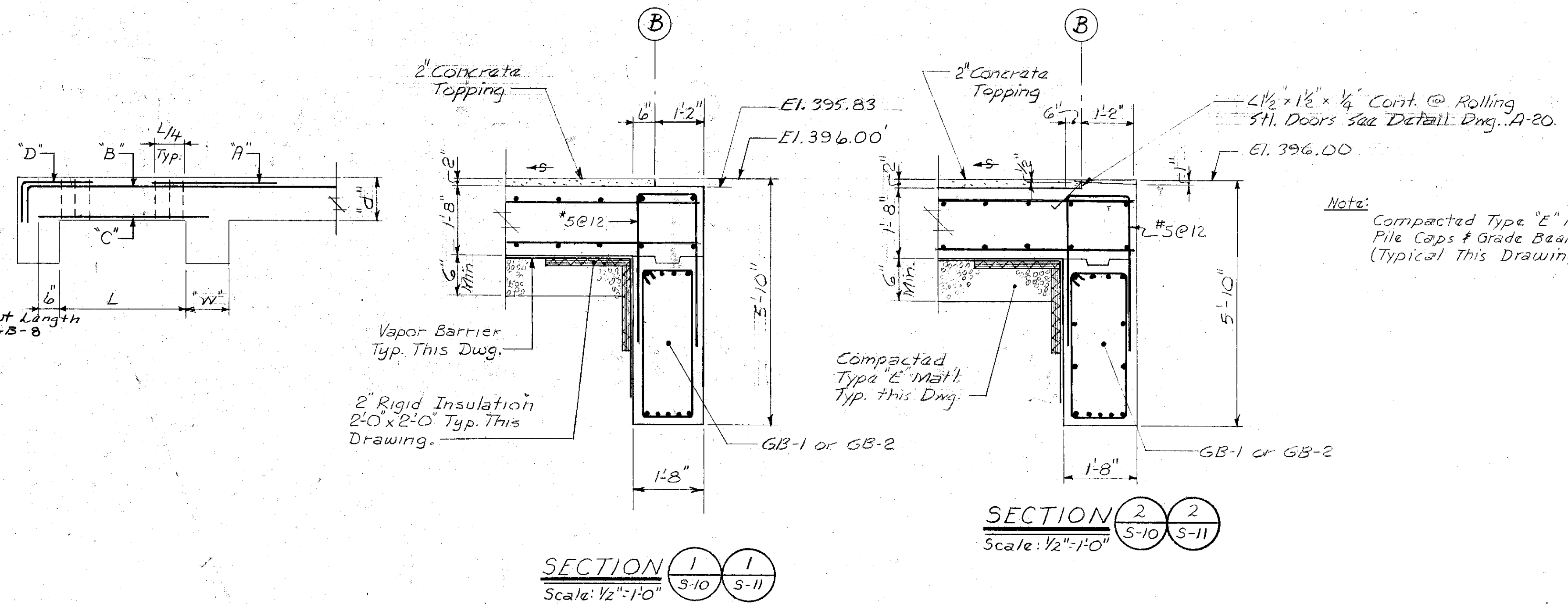
RECORD DRAWINGS
To the best of our knowledge, information and belief, these record drawings substantially represent the project as constructed.

[Signature]

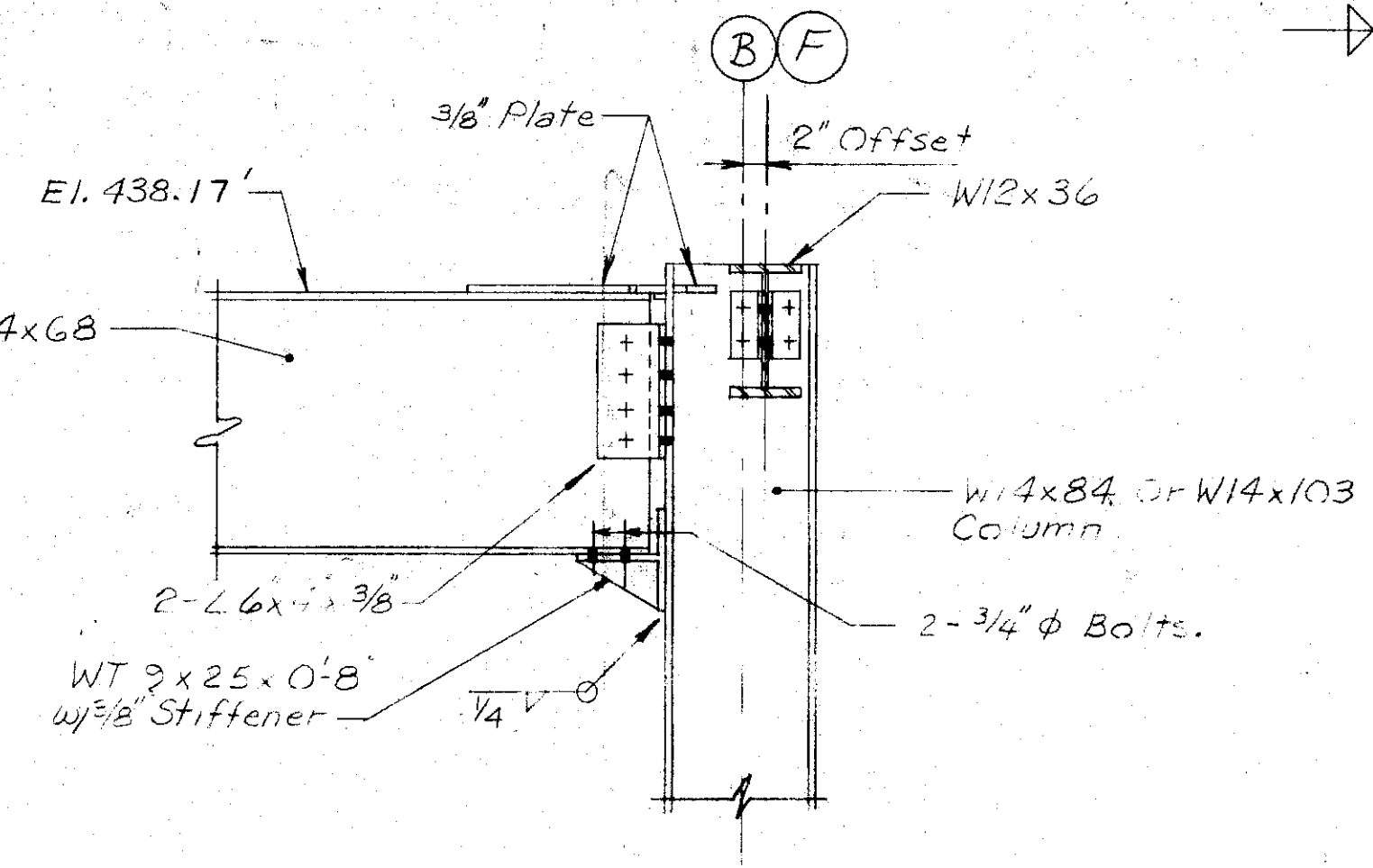
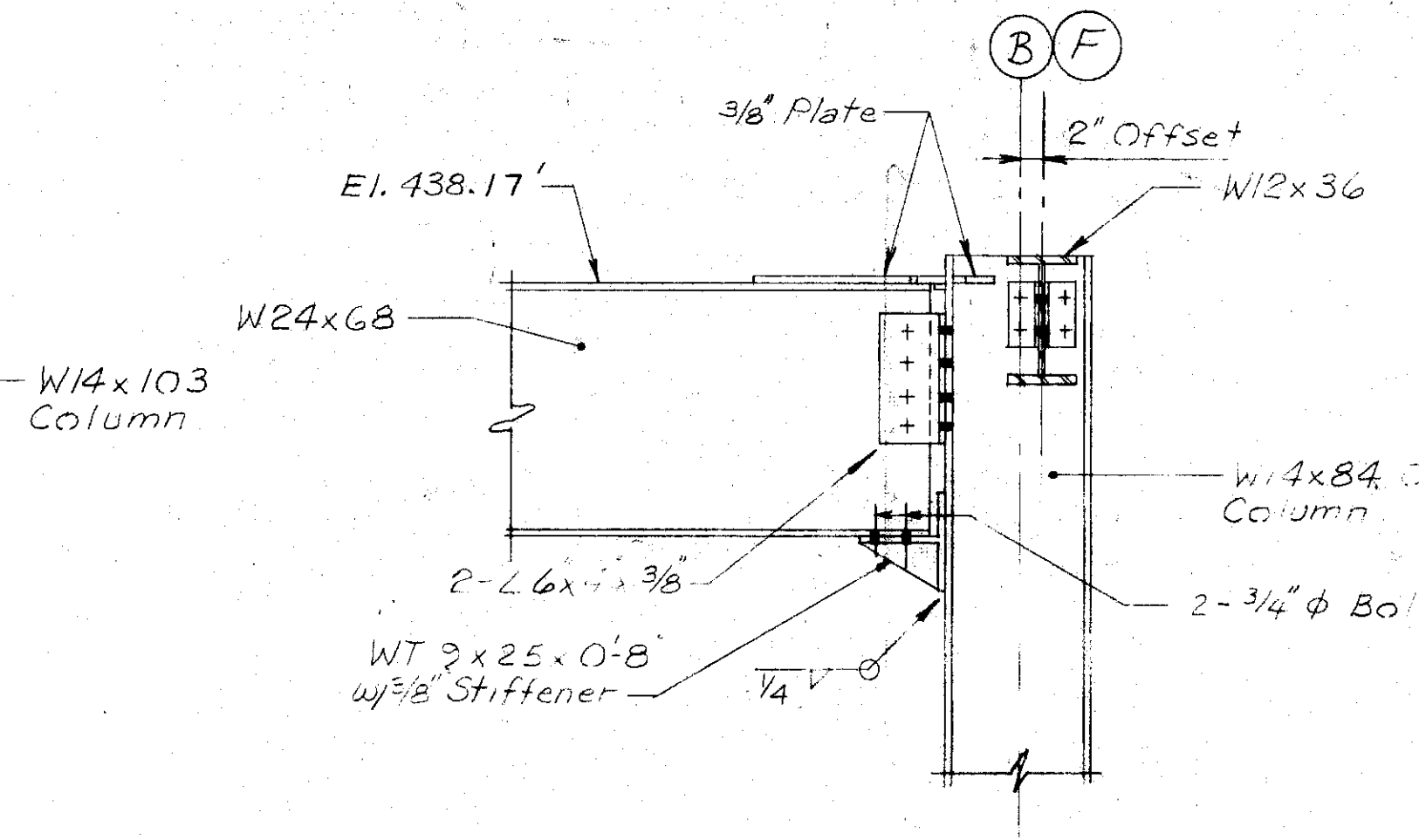
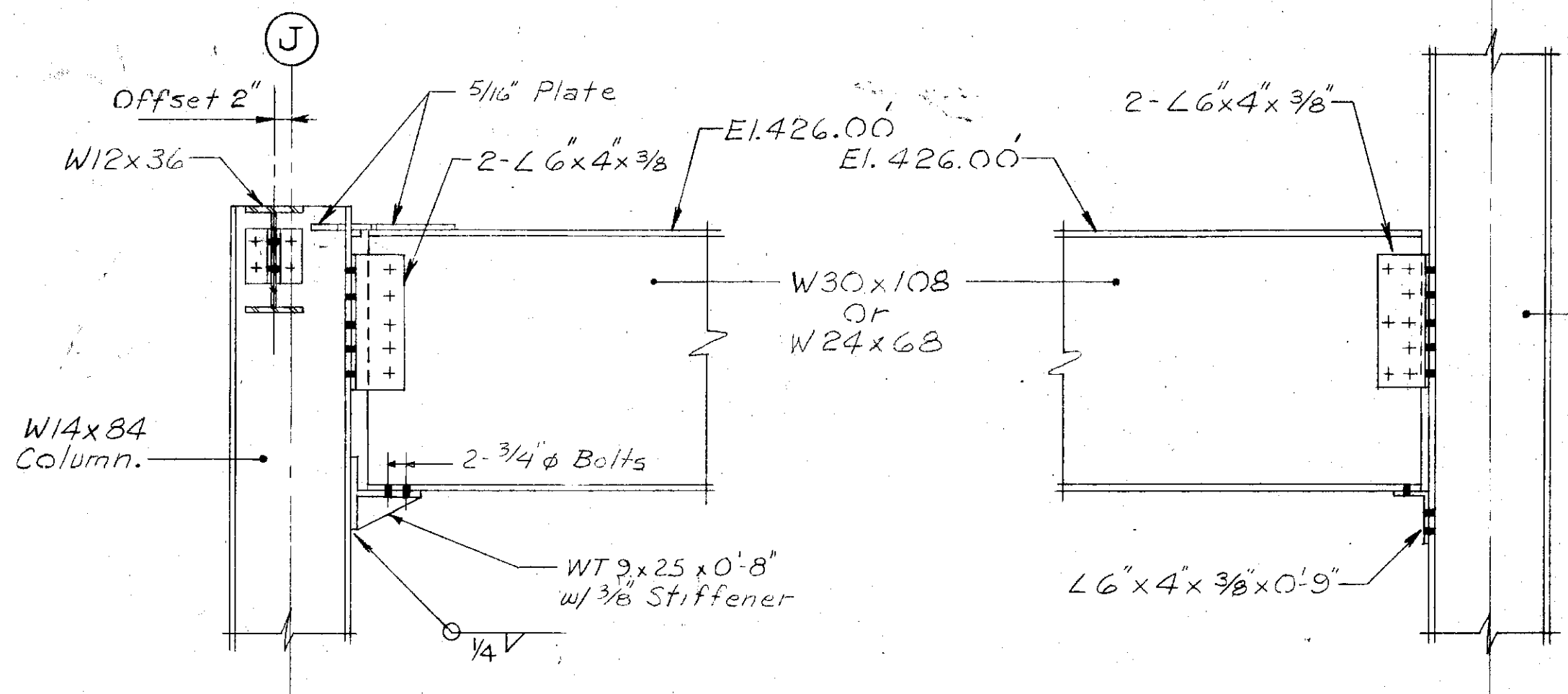
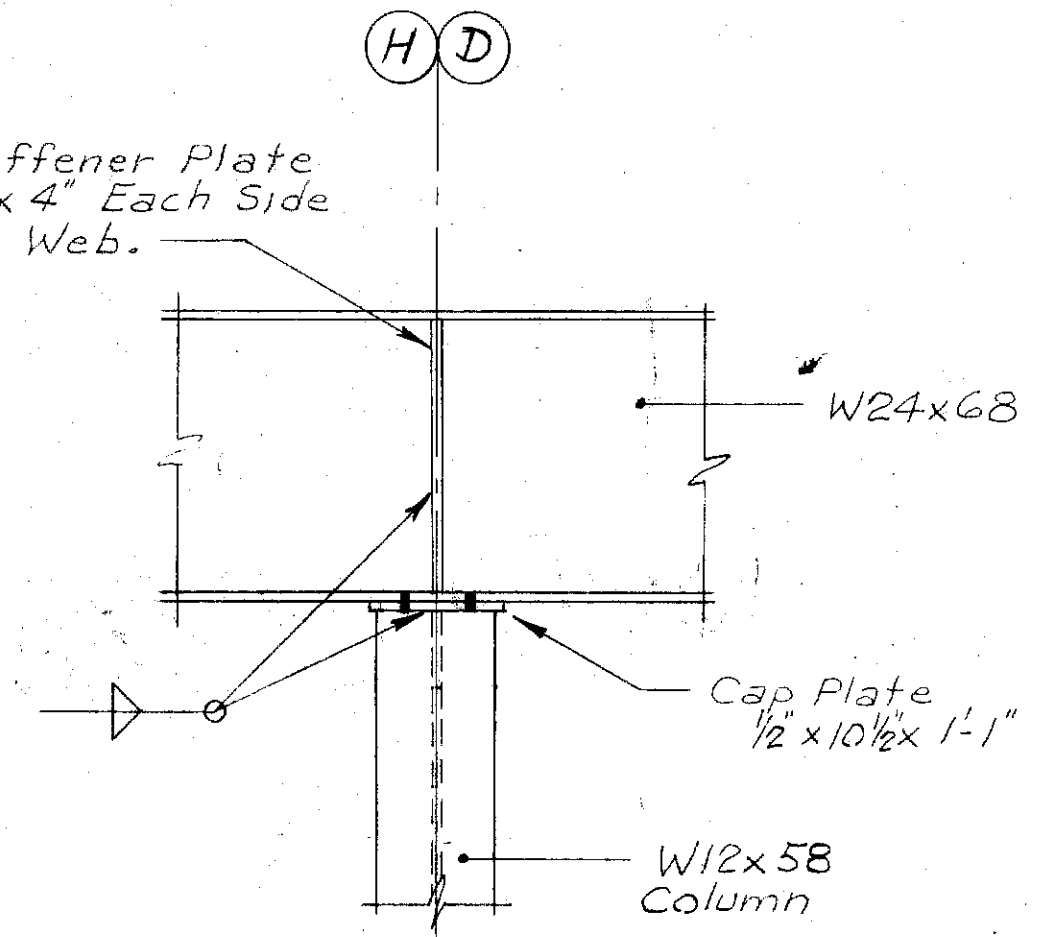
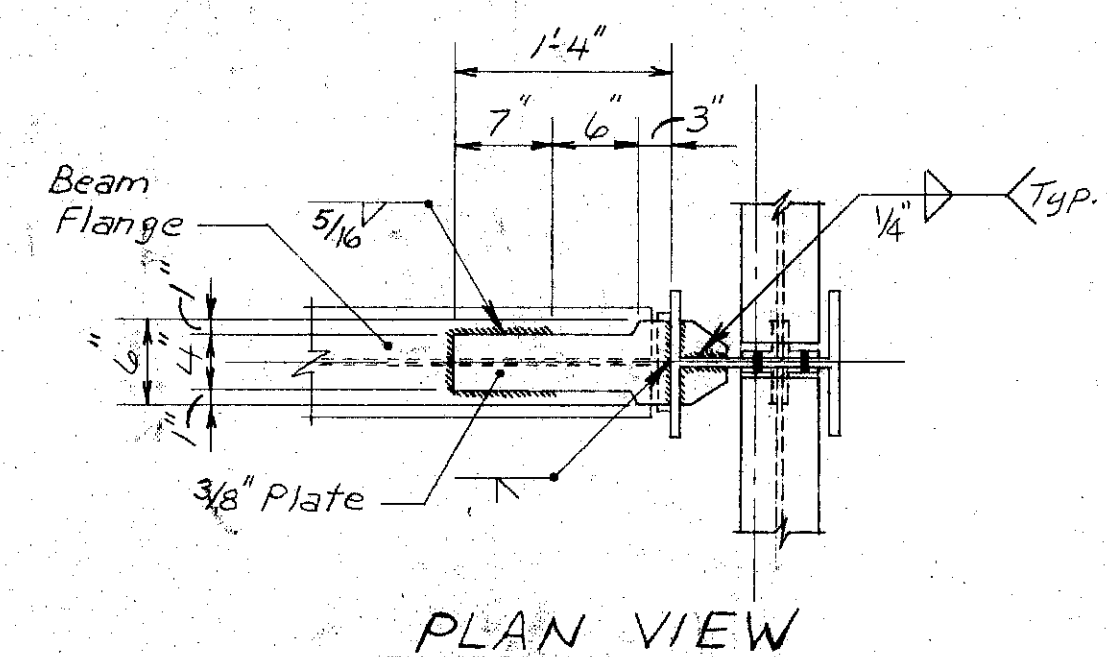
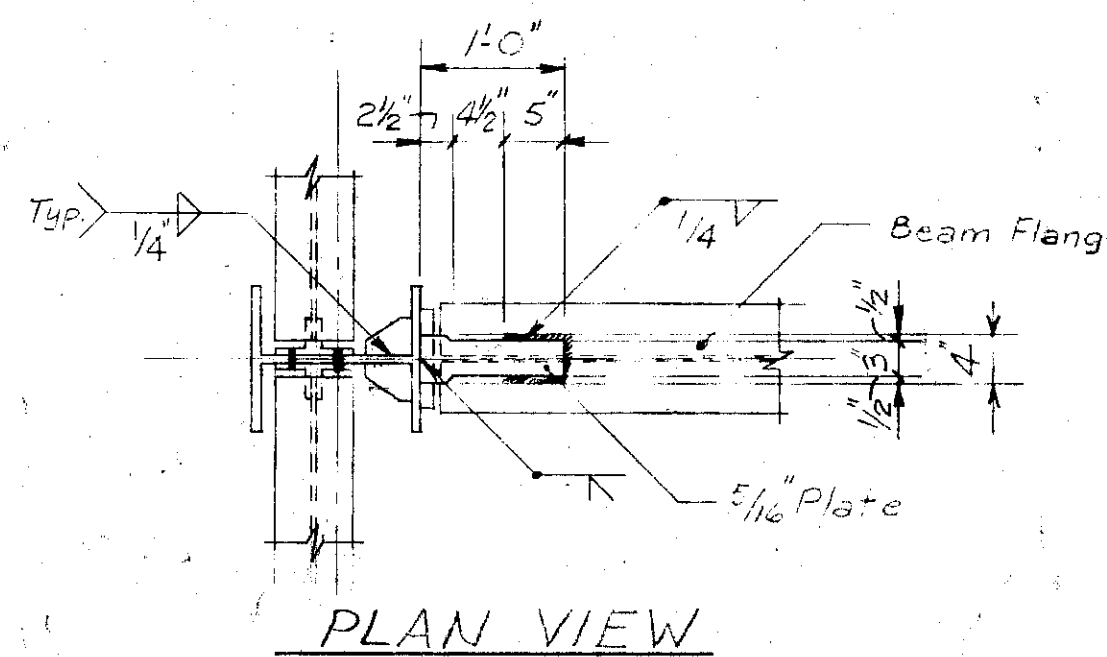
AB

GRADE BEAM SCHEDULE											
BEAM	WIDTH "W"	DEPTH "D"	REINFORCING				STIRRUPS		REMARKS		
			A	B	C	D	SIZE	S or E END		N or W END	
GB-1	20	48		4#9	5#9			#5	5@14	5@14	
GB-2	20	48	2#10	4#9	5#9			#5	5@14	5@14	
GB-3	24	48		4#9	5#9			#5	5@14	5@14	
GB-4	24	48	2#9	4#9	5#9			#5	5@14	5@14	
GB-5	30	36	2#10	4#10	6#10			#5	6@12	6@12	See Section
GB-6	24	52	2#9	3#9	4#9			#4			
GB-7	24	52		3#9	4#9			#4			
GB-8	18	48		4#9	4#9			#4			*4 Stirrup @ 8" Throughout Length of GB-8
GB-9	18	48		3#9	5#9	3#9		#4	4@12	4@12	Extend "B" Stl. into Trench
GB-10	18	48	2#9	3#9	5#9	3#9		#5	6@6	6@6	
GB-11	18	36		2#9	4#8			#4			
GB-12	18	36	2#9	2#9	4#8			#4	3@15	3@15	
GB-13	24	48		3#9	6#10	3#9		#4	7@8	7@8	
GB-14	18	48	2#10	3#9	5#9	3#9		#5	9@10	9@10	
GB-15	18	48		3#9	5#9	3#9		#5	5@12	5@12	
GB-16	18	58		2#9	4#10	2#9		#4	4@14	4@14	
GB-17	18	58	2#10	3#9	4#9			#4	5@8	5@8	
GB-18	20	44		4#9	5#9			#4	5@12	5@12	
GB-19	20	44		4#9	5#9			#4	5@12	5@12	
GB-20	20	36		4#9	5#9			#4	5@12	5@12	

Note: All grade beams shall have a minimum of #4@18 Stirrups unless otherwise shown or scheduled.



Note: Compacted Type "E" Material Under Pile Caps & Grade Beams Not Shown (Typical This Drawing)



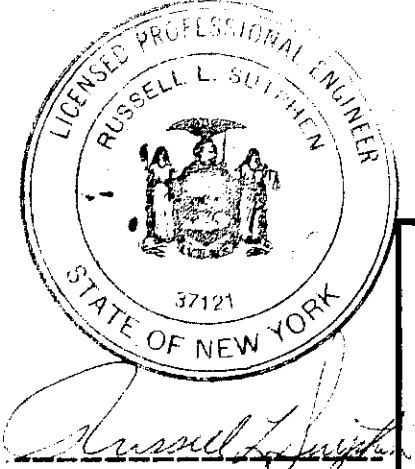
SECTION 3 Scale: 3/4" = 1'-0"

SECTION 4 Scale: 3/4" = 1'-0"

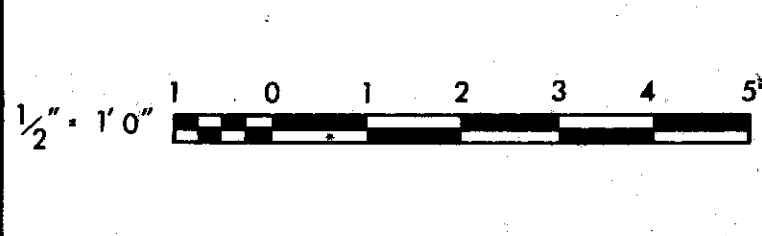
SECTION 5 Scale: 3/4" = 1'-0"

NOTES:

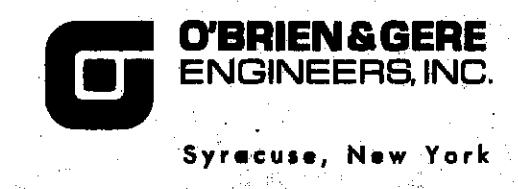
- All Bolts Are A325 High Strength Bolts. Size Shall Be 3/4" φ Unless Noted Otherwise.



In charge of Murawski
 Designed by JMS Checked by SAH
 Made by BVB/FCS



NO.	DATE	REVISION	INIT.
2/14/78		General Revisions	
3/14/77		General Revisions	



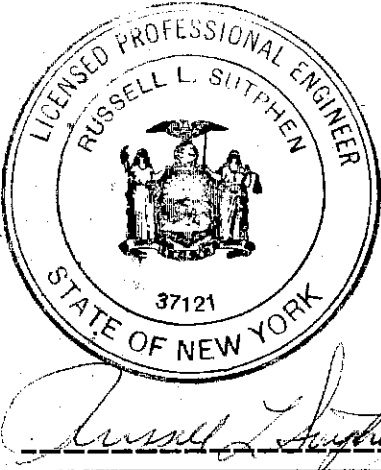
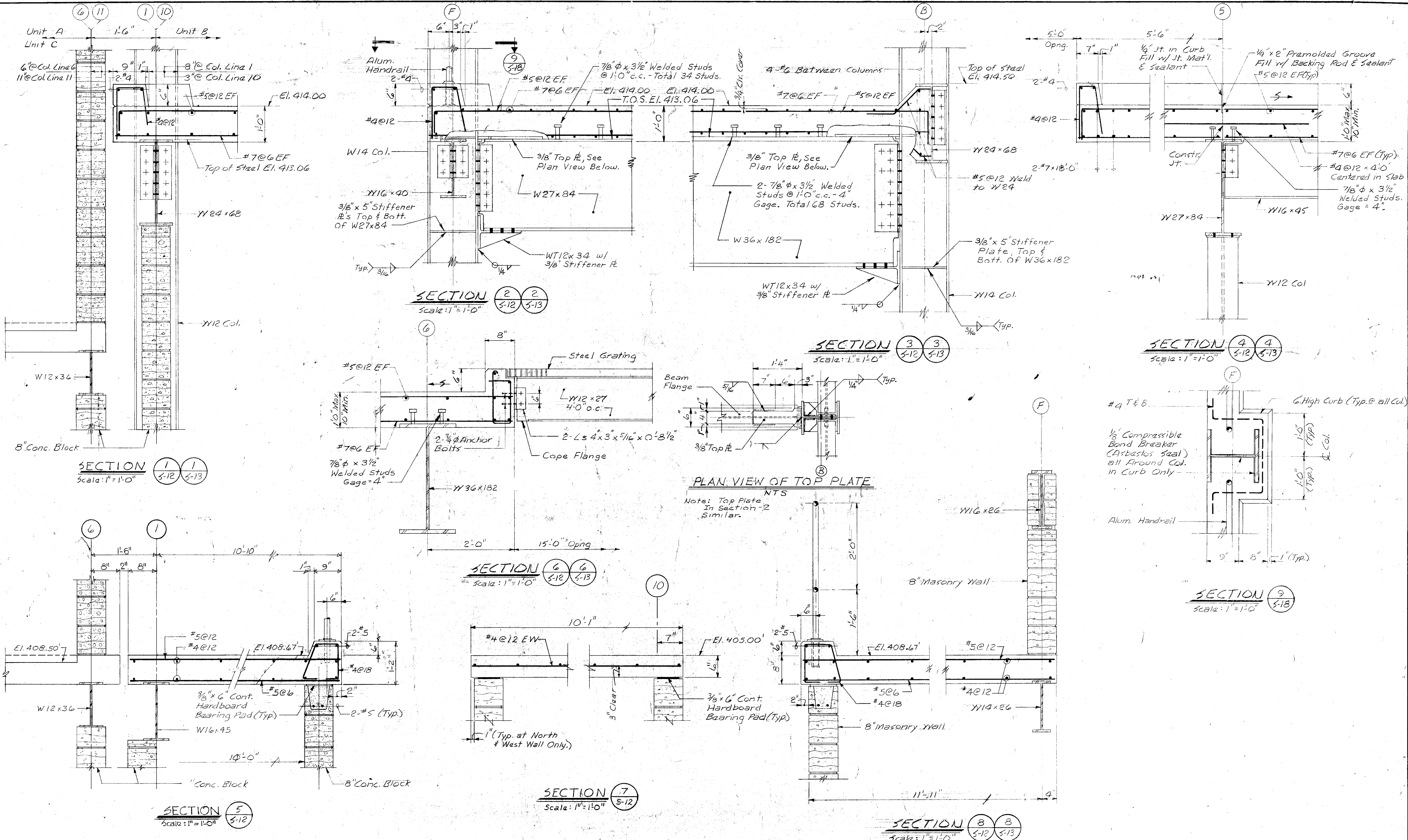
CLAY SANITARY DISTRICT
 OAK ORCHARD SERVICE AREA
 OAK ORCHARD WATER POLLUTION CONTROL PLANT

STRUCTURAL
 UNIT B
 SECTIONS

FILE NO.
 115.219.172F
 DATE
 JULY 1, 1975

S-17

RECORD DRAWINGS
 To the best of our knowledge, information and belief, these record drawings substantially represent the project as constructed.
 O'Brien & Gere
 Russell L. Sullivan
 Professional Engineer



In charge of *M. M. Sullivan*
Designed by *TMS* Checked by *GAT*
Made by *DRI, RJB*

NO.	DATE	REVISION	INIT.
1	2/19/73	General Revisions	
2	1/24/77	General Revisions	

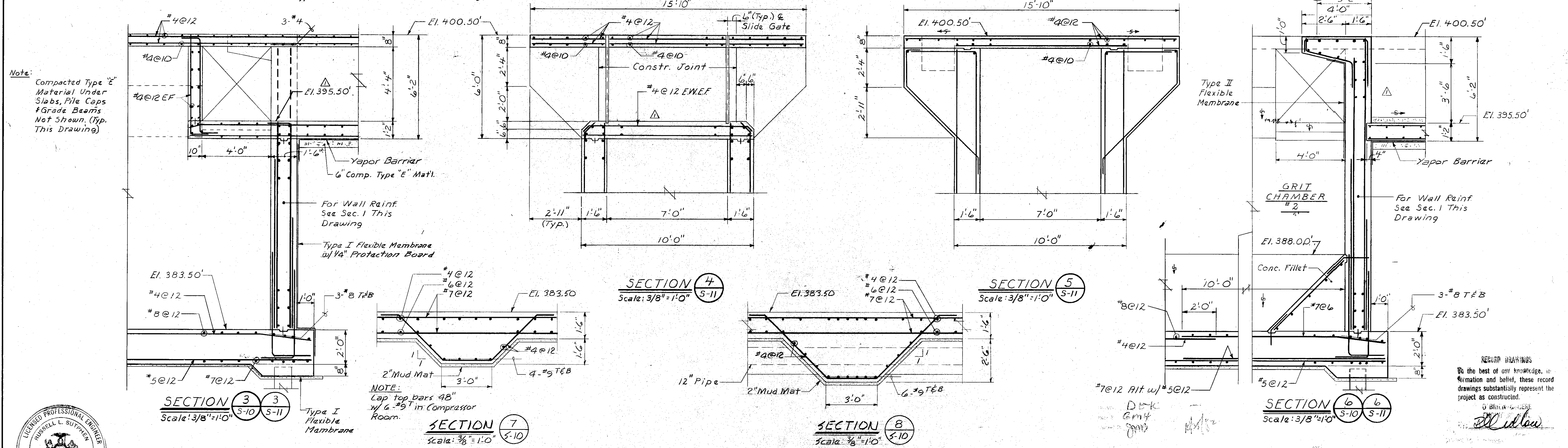
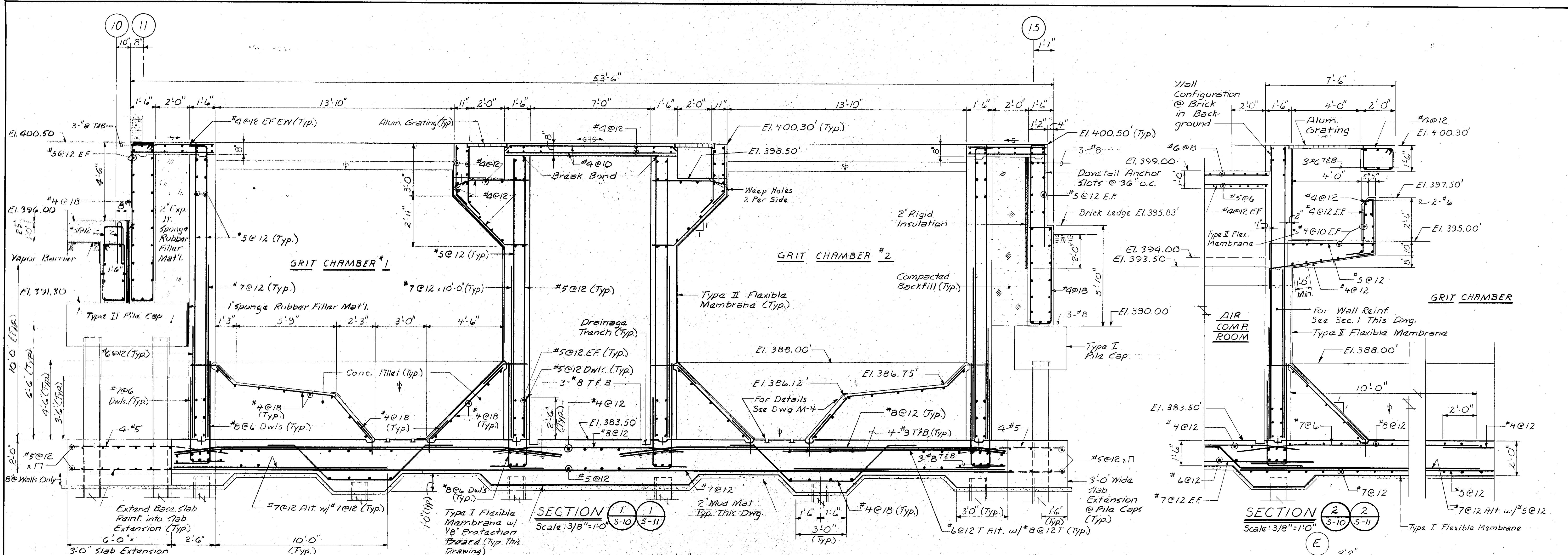
O'BRIEN & GERE
ENGINEERS, INC.
Syracuse, New York

CLAY SANITARY DISTRICT
OAK ORCHARD SERVICE AREA
OAK ORCHARD WATER POLLUTION CONTROL PLANT

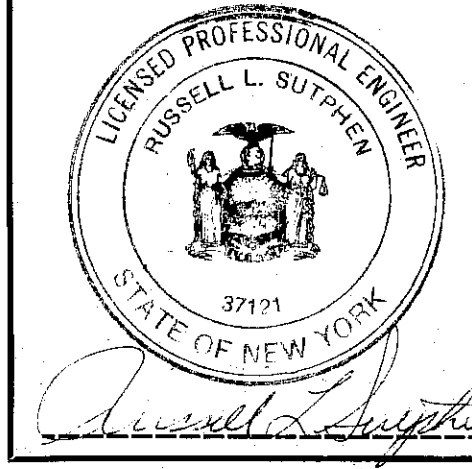
STRUCTURAL
UNIT B
SECTIONS

FILE NO. 115.219.173F	S-18
DATE JULY 1, 1975	

RECORD DRAWINGS
To the best of our knowledge, information and belief, these record drawings substantially represent the project as constructed.
O'BRIEN & GERE
ENGINEERS, INC.
Syracuse, New York
Bill Sullivan

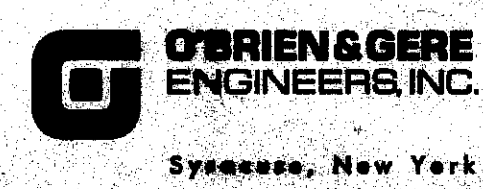


Note:
Compacted Type 'E' Material Under Slabs, Pile Caps & Grade Beams Not Shown. (Typ. This Drawing)



In charge of	M. K. K. K.
Designed by	JMS
Checked by	JMS
Made by	RJB

NO.	DATE	REVISION	INIT.
1	2/14/78	General Revisions	RJK
2	2/17/78	General Revisions	RJK
3	4/15/78	CHANGED SECTIONS 3, 4, & 6	RJK



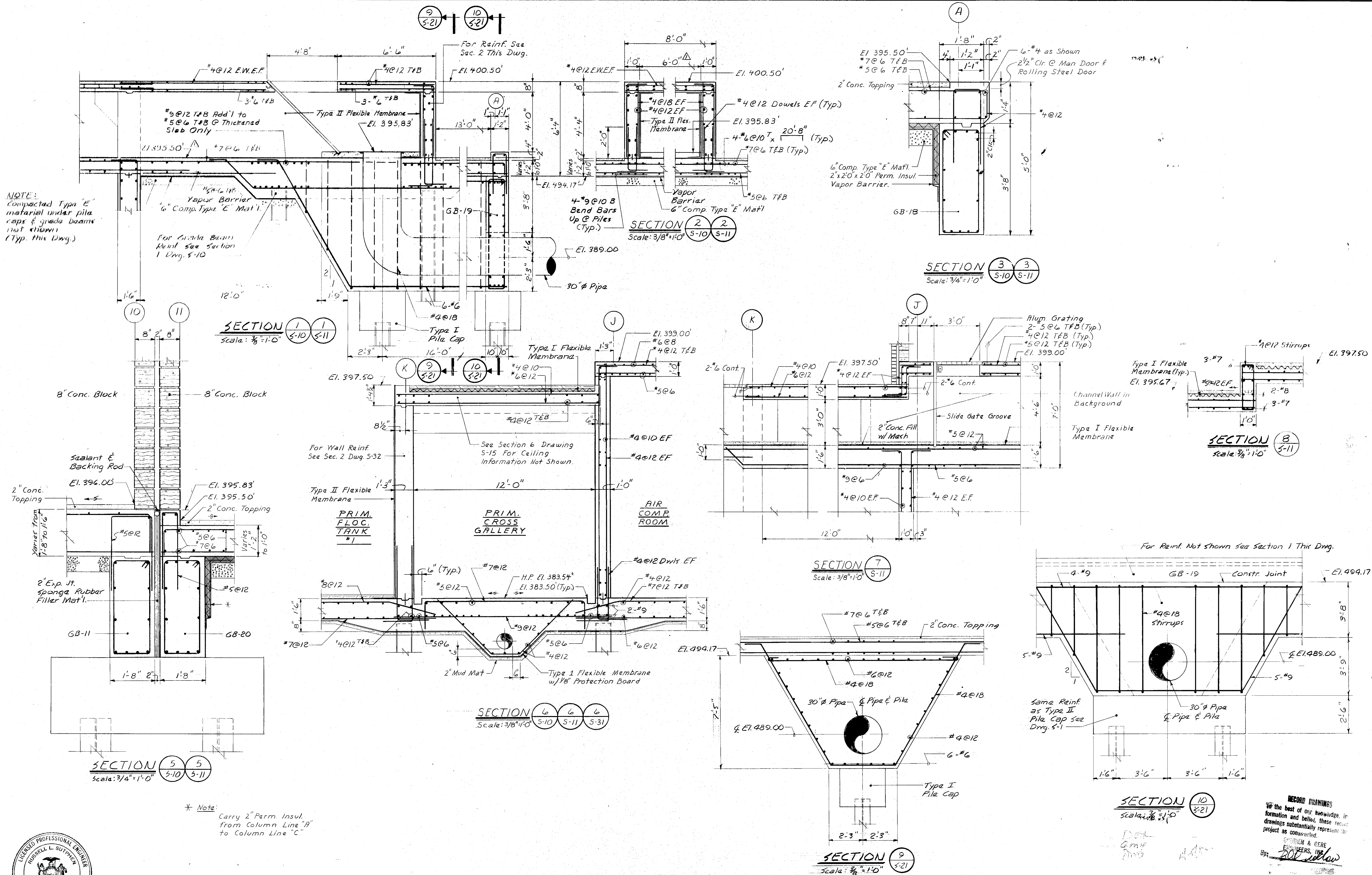
CLAY SANITARY DISTRICT
OAK ORCHARD SERVICE AREA
OAK ORCHARD WATER POLLUTION CONTROL PLANT

STRUCTURAL
UNIT C
SECTIONS

FILE NO.	115.219.174F
DATE	JULY 1, 1975
	S-19

RECORD DRAWINGS
To the best of our knowledge, information and belief, these record drawings substantially represent the project as constructed.
D. B. B. B. B.
J. L. L. L. L.

NOTE:
Compacted Type "E" material under pile caps & grade beams not shown (Typ. this Dwg.)



* Note:
Carry 2\" Perm. Insul. from Column Line "A" to Column Line "C"



In charge of	<i>M. V. ...</i>
Designed by	TMS
Checked by	TMS
Made by	R.Z.B.

NO.	DATE	REVISION	INIT.
2/14/78		General Revisions	
5/4/77		General Revisions	
4/1/76		CHANGED SECTIONS 1 & 2	

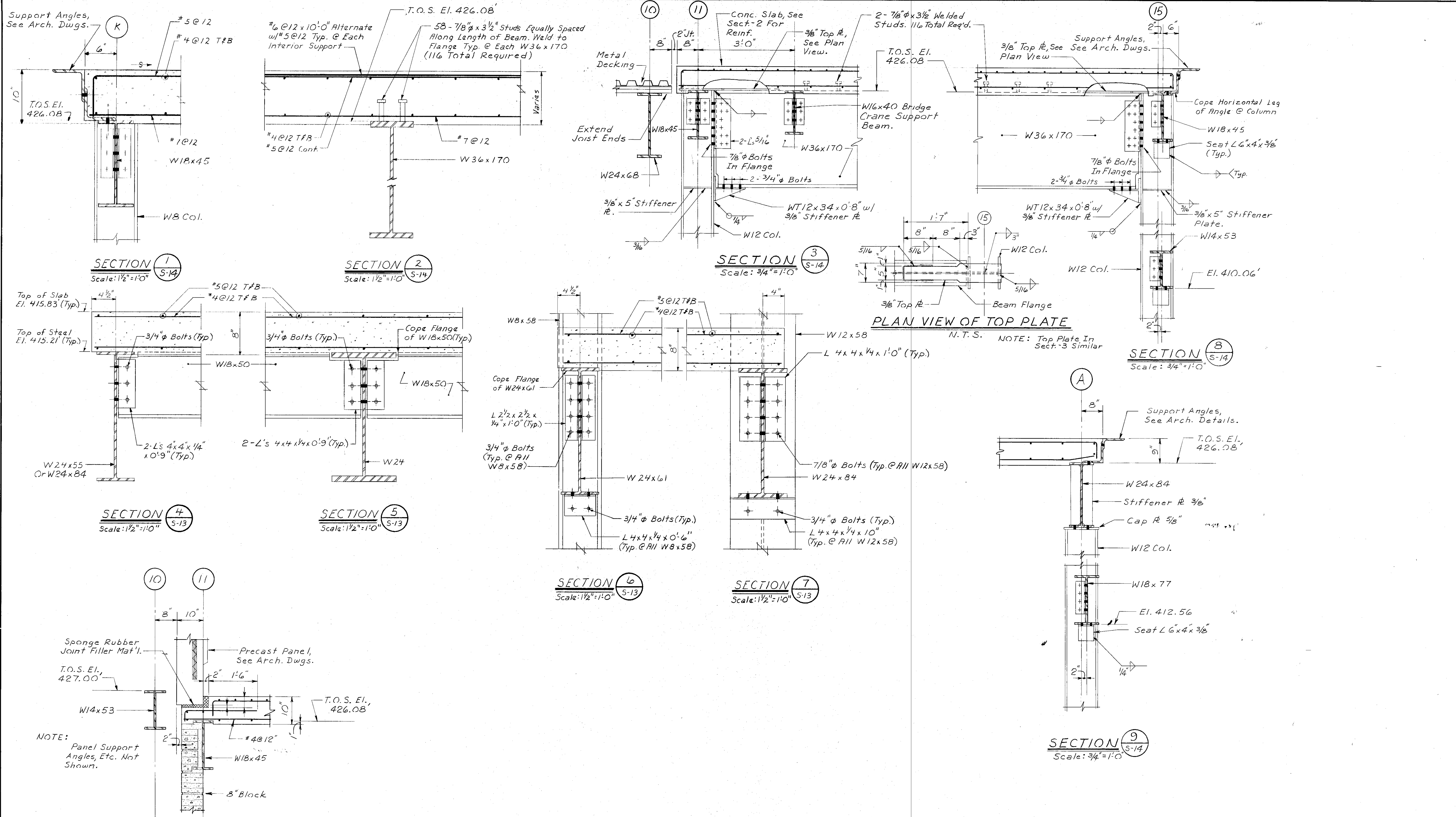


CLAY SANITARY DISTRICT
OAK ORCHARD SERVICE AREA
OAK ORCHARD WATER POLLUTION CONTROL PLANT

STRUCTURAL
UNIT C
SECTIONS

FILE NO.	115.219.176F
DATE	JULY 1, 1975
	S-21

AB



In charge of *[Signature]*
 Designed by *TMS* Checked by *SAD*
 Made by *RFB*

NO.	DATE	REVISION	INIT.
2/14/78		General Revisions	<i>[Signature]</i>
8/14/77		General Revisions	<i>[Signature]</i>

O'BRIEN & GERE
 ENGINEERS, INC.
 Syracuse, New York

CLAY SANITARY DISTRICT
 OAK ORCHARD SERVICE AREA
 OAK ORCHARD WATER POLLUTION CONTROL PLANT

STRUCTURAL
 UNIT C
 SECTIONS

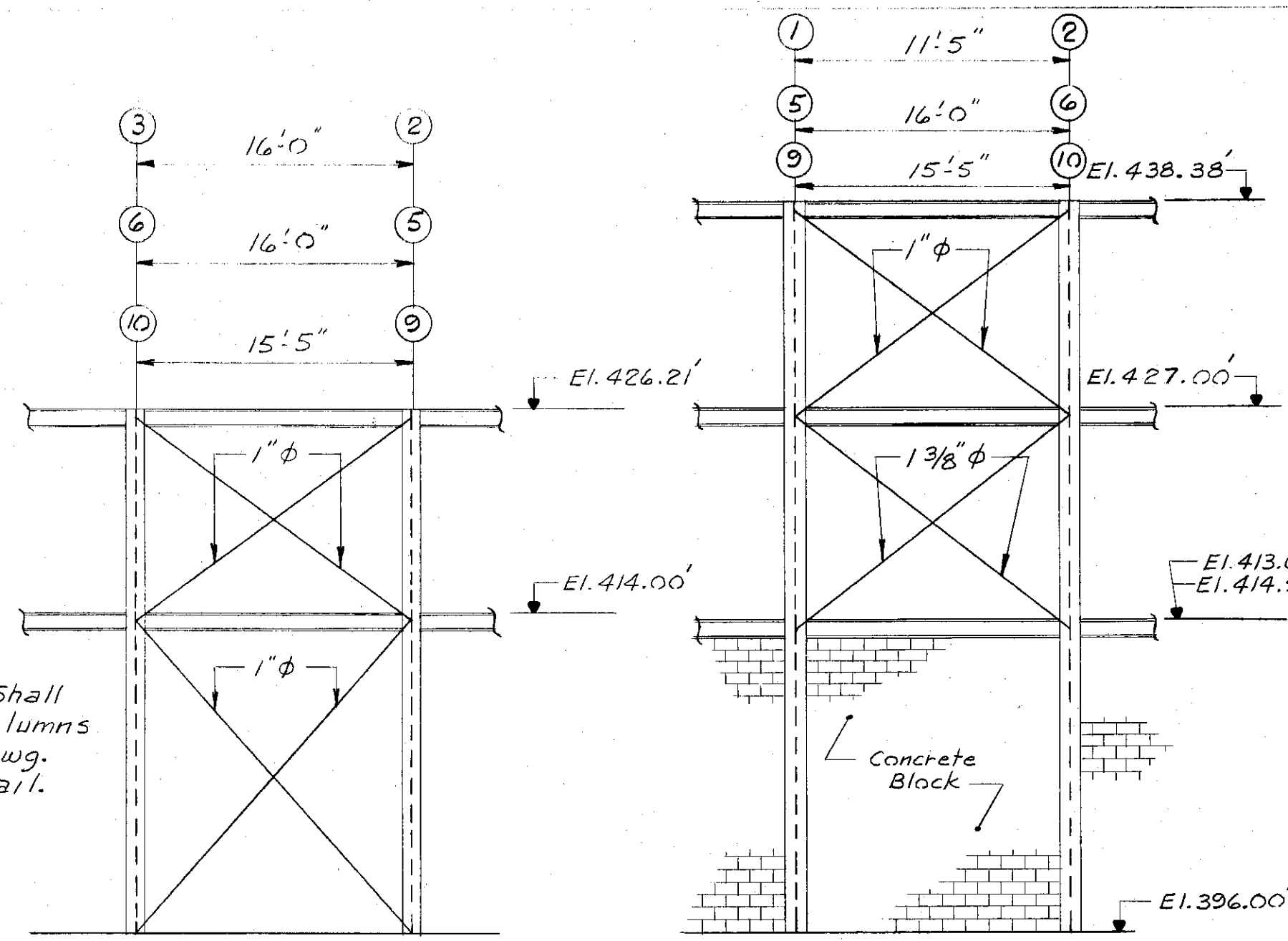
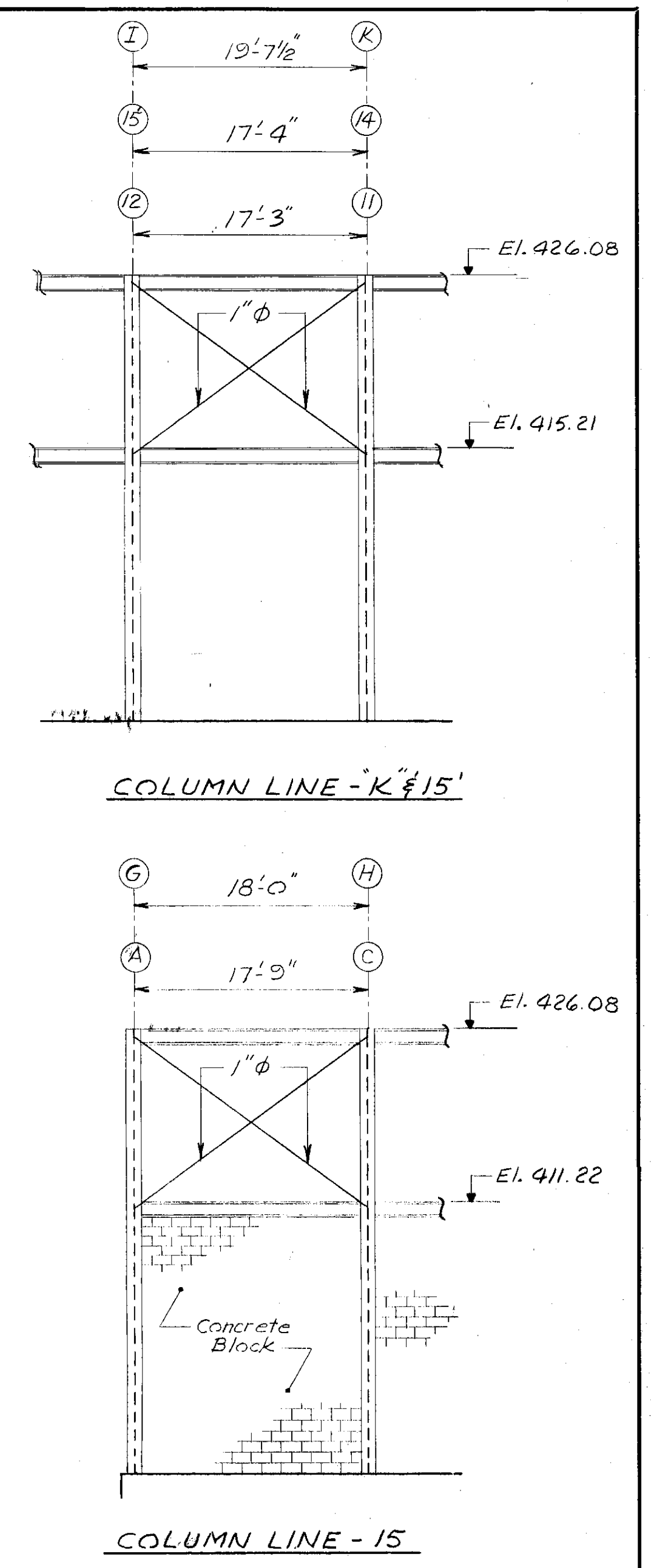
FILE NO.
 115-219.177F
 DATE
 JULY 1, 1975
S-22

RECORD DRAWINGS
 To the best of our knowledge, information and belief, these record drawings substantially represent the project as constructed.
 O'BRIEN & GERE
 ENGINEERS
 P.V. *[Signature]*

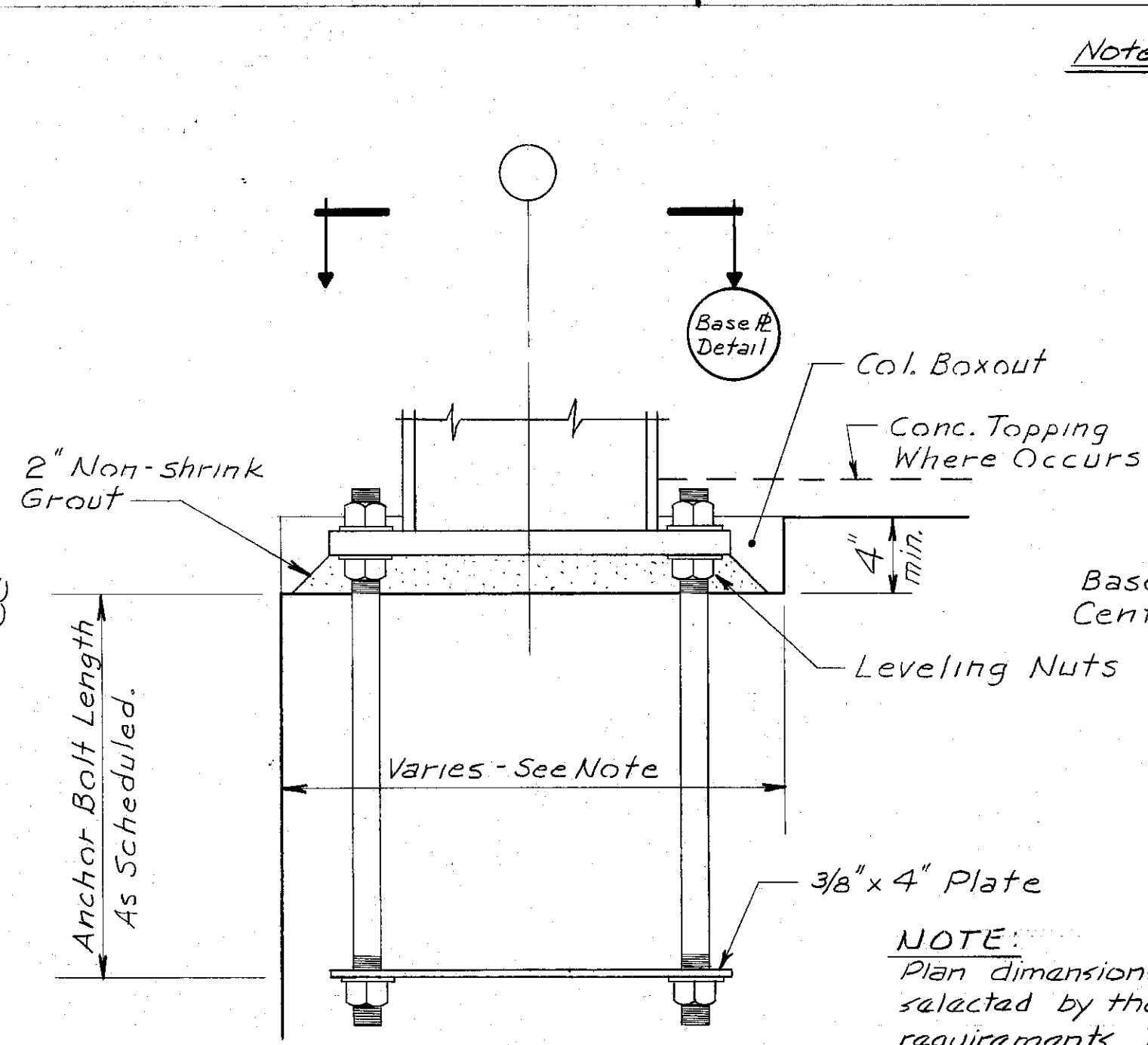
AB

STEEL COLUMN SCHEDULE

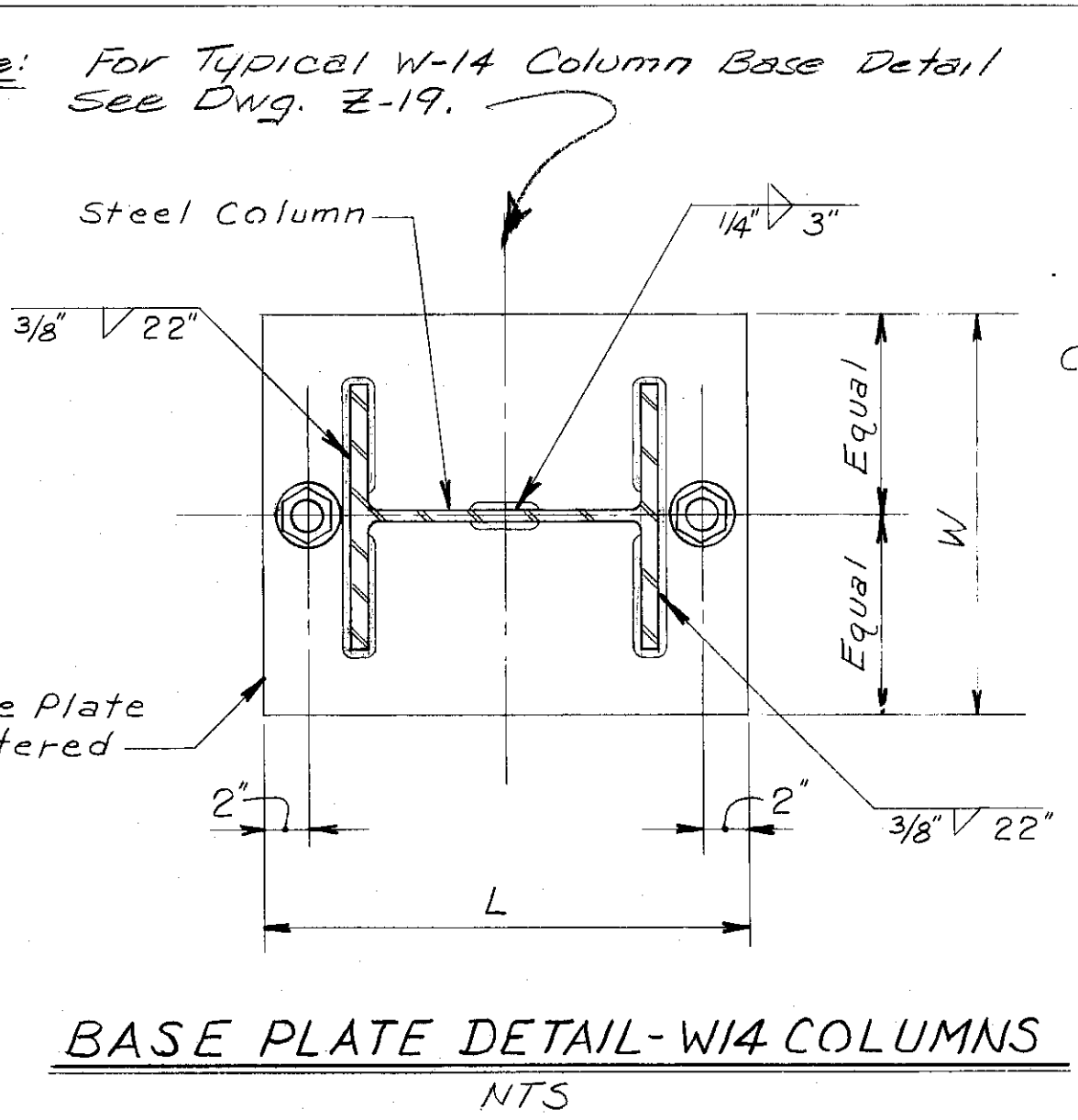
	1B 2B 3B 4B	1D	1H	2F 3F 4F	1F 10F	2D 3D 4D	1J 2J 3J 4J	7D 8D		11A	11C	11E 15E	11H	11K	12K	12H	12I	11I
	5B 6B 7B 8B	10D	10H	5F 6F 7F		5D 9D	5J 6J 7J 8J			13A	15C	11G 15G	15H	14K 15K	14H	14I	15I	
	9B 10B			8F 9F			9J 10J			15A								
Top of steel El. 438.38																		
Top of Finish Floor El. 396.00																		
W	16"	12"	12"	18"	16"	12"	16"	12"	14"	14"	14"	9"	9"	12"	12"	9"		
L	22"	13"	13"	22"	22"	13"	22"	13"	14"	14"	14"	10"	10"	18"	18"	10"		
T	1 1/2"	1 1/4"	1 1/4"	1 1/2"	1 1/2"	1 1/4"	1 1/2"	1 1/4"	1 1/4"	1 1/4"	1 1/4"	1"	1"	1 1/4"	1 1/4"	1 1/4"		
ANCHOR BOLTS	1 1/4" φ x 3'-0"	1" φ x 1'-2"	1" φ x 1'-2"	1 1/4" φ x 3'-0"	1 1/4" φ x 3'-0"	1" φ x 1'-2"	1 1/4" φ x 3'-0"	1" φ x 1'-2"	1" φ x 2'-0"	1 1/4" φ x 2'-0"	1 1/4" φ x 2'-0"	1" φ x 1'-0"	1" φ x 1'-0"	1 1/4" φ x 2'-0"	1 1/4" φ x 2'-0"	1" φ x 1'-0"		



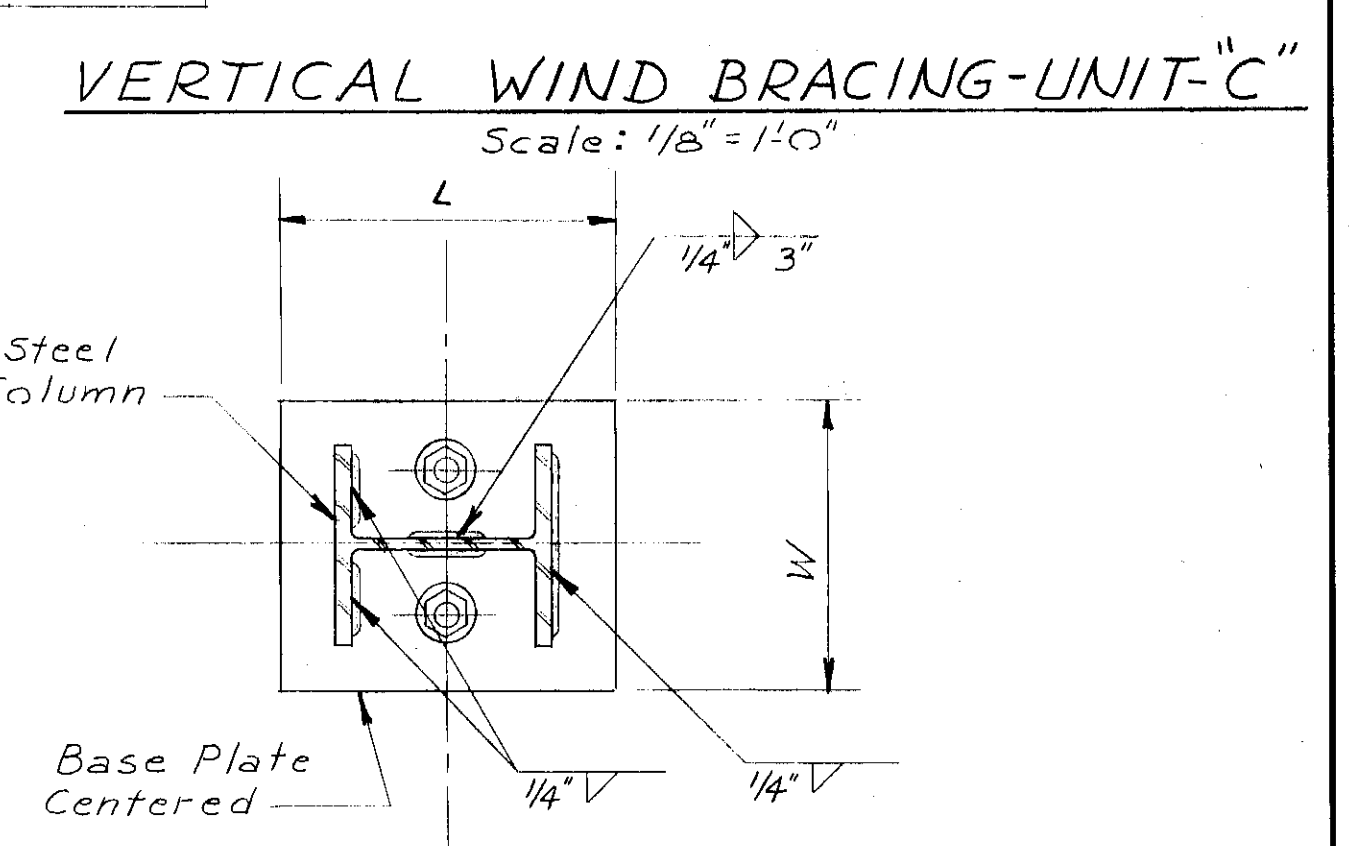
VERTICAL WIND BRACING-UNIT-B
Scale: 1/8" = 1'-0"



TYPICAL COLUMN BASE
NTS



BASE PLATE DETAIL-W14 COLUMNS
NTS

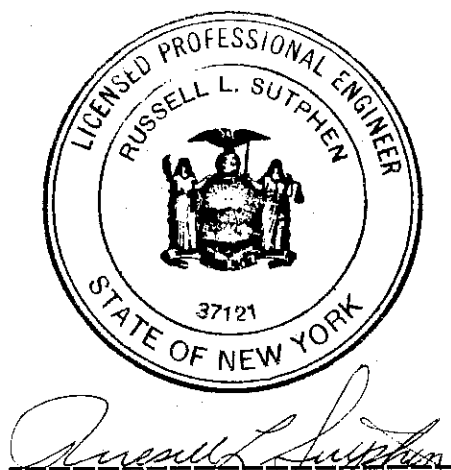


BASE PLATE DETAIL
W12 & W8 COLUMNS
NTS

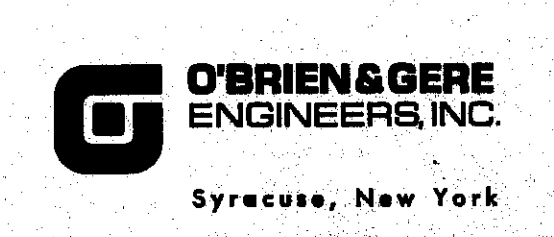
NOTE:
Cross-bracing Rods Shall Be Attached To The Columns Through The Web. See Dwg. S-49 For Typical Detail.

Note: For Typical W-14 Column Base Detail See Dwg. Z-19.

NOTE:
Plan dimensions of column boxout shall be selected by the contractor to suit his construction requirements. The plan dimensions selected shall be constant thruout the structure.



In charge of	M. M. M. M.	NO.	DATE	REVISION	INIT.
Designed by	IMS				
Checked by	SAA				
Made by	GPK/FCS				
		2/19/78		General Revisions	
		5/14/77		General Revisions	

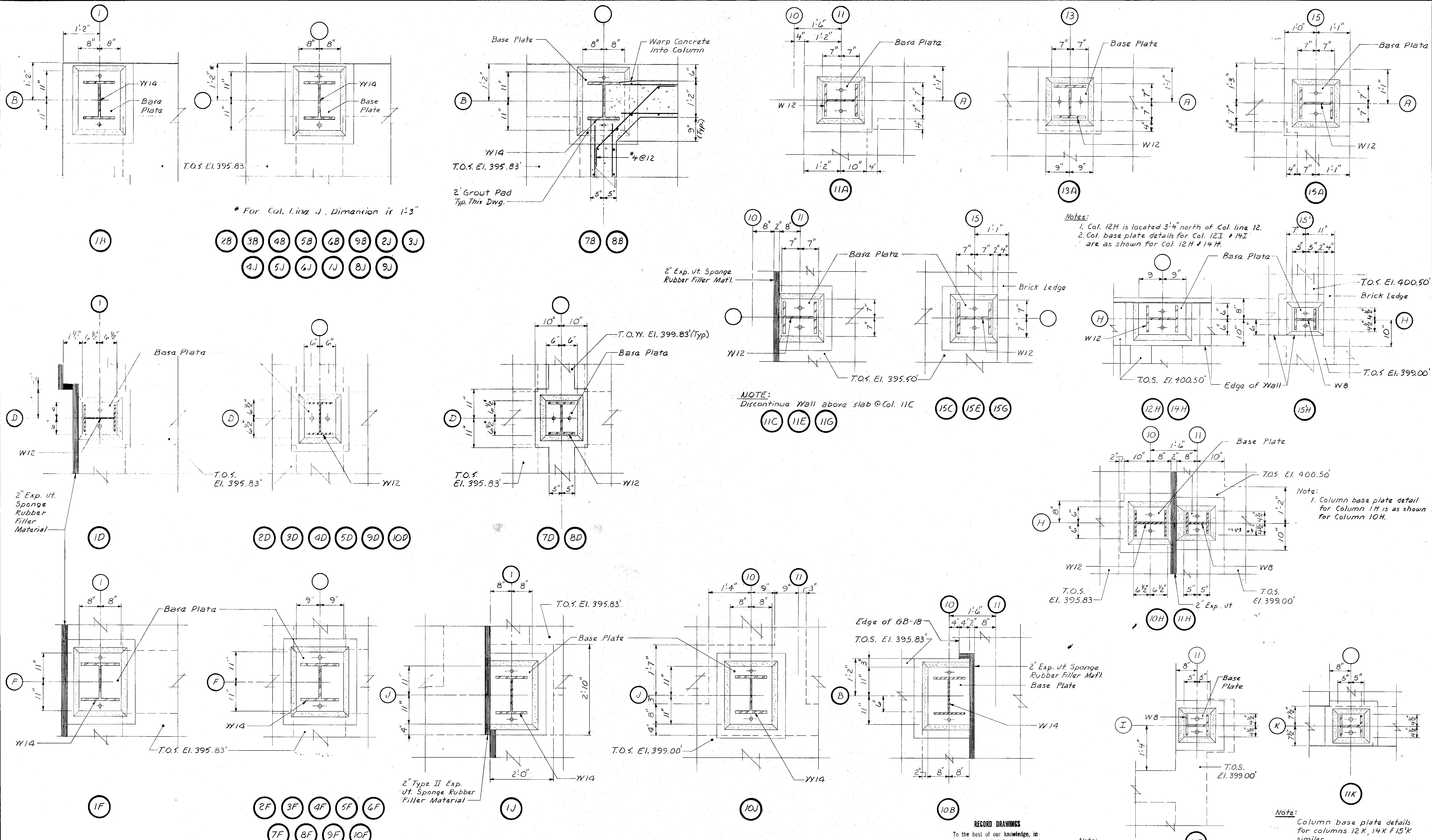


CLAY SANITARY DISTRICT
OAK ORCHARD SERVICE AREA
OAK ORCHARD WATER POLLUTION CONTROL PLANT

STRUCTURAL
UNIT B&C
COLUMN SCHEDULE

FILE NO.	115.219.178F
DATE	JULY 1, 1975
	S-23

AB



* For Col. Line J, Dimension is 1'-3"

Notes:
 1. Col. 12H is located 3'-4" north of Col. line 12.
 2. Col. base plate details for Col. 12I & 14I are as shown for Col. 12H & 14H.

NOTE:
 Discontinua Wall above slab @ Col. 11C

Note:
 1. Column base plate detail for Column 1H is as shown for Column 10H.

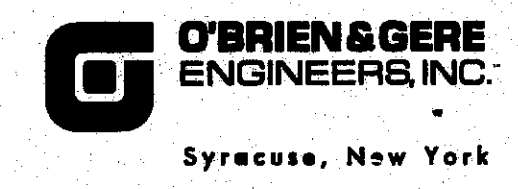
Note:
 Column base plate details for columns 12K, 14K & 15K similar.

COLUMN BASE PLATE DETAILS UNITS B & C
 Scale: 3/4" = 1'-0"

RECORD DRAWINGS
 To the best of our knowledge, information and belief, these record drawings substantially represent the project as constructed.
 O'BRIEN & GERE
 ENGINEERS, INC.
 By: *[Signature]*



In charge of <i>M. K. ...</i>	NO.	DATE	REVISION	INIT.
Designed by <i>JMS</i> Checked by <i>SCA</i>				
Made by <i>GPK, RJB</i>	2/1/78		General Revisions	<i>[Signature]</i>
	5/1/77		General Revisions	<i>[Signature]</i>



CLAY SANITARY DISTRICT
 OAK ORCHARD SERVICE AREA
 OAK ORCHARD WATER POLLUTION CONTROL PLANT

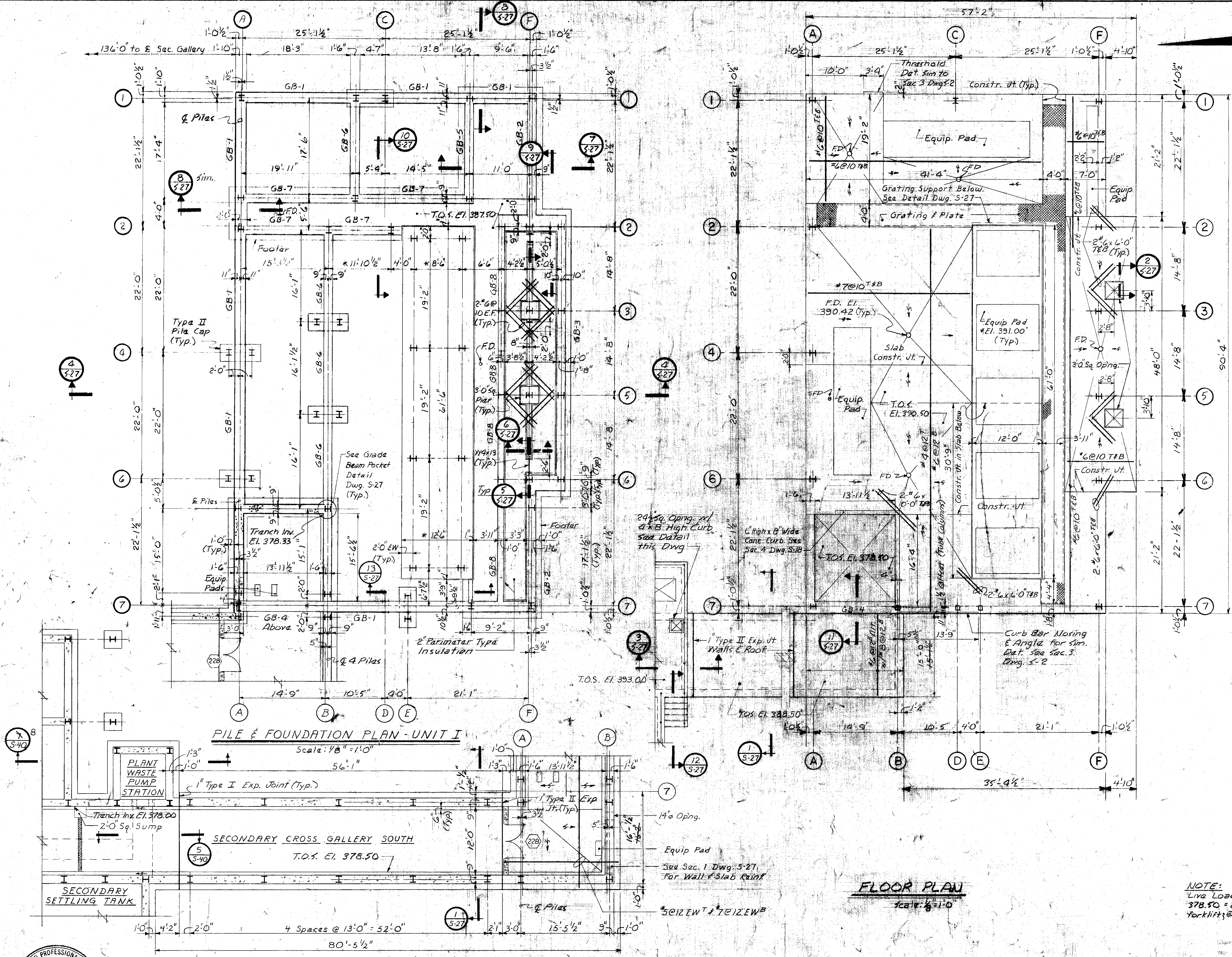
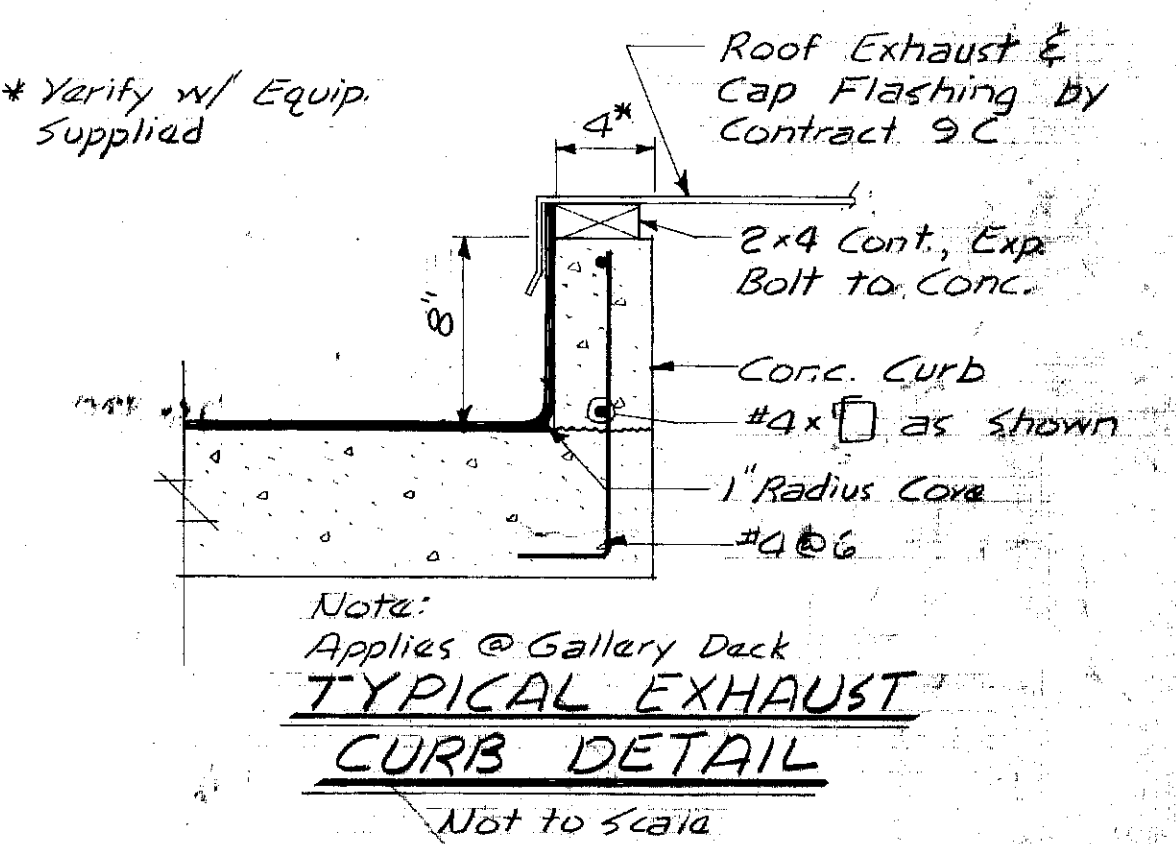
STRUCTURAL
 UNIT B & C
COLUMN BASE PLATE DETAILS

FILE NO. 115.219.179F	S-24
DATE JULY 1, 1975	

AB

GRADE BEAM SCHEDULE						
NO.	DEPTH	WIDTH	TOP BARS	BOT. BARS	STIRRUPS	REMARKS
GB-1	36"	22"	4-#10	4-#10	#4@18	2'-0" Wide @ Col. 2 A
GB-2	36"	18"	4-#10	4-#10	#4@8	Hook Top Bars
GB-3	48"	20"	4-#10	4-#10	#4@18	2'-10" Add. as shown
GB-4	39"	22"	4-#10	4-#10	#4@6	
GB-5	48"	18"	4-#10	4-#9	#4@18	2'-10" Add. as shown
GB-6	48"	18"	4-#10	4-#10	#4@18	2'-10" Add. as shown
GB-7	48"	18"	4-#10	4-#8	#4@12	2'-10" Add. as shown
GB-8	48"	12"	3-#9	3-#9		Stirrups - See Sec.

NOTES:
 1) Max. stirrup spacing to be 18".
 2) See Dwg. 5-27 for grade beam configurations.
 3) Rainf. to be lapped or continuous at corners and intersections.



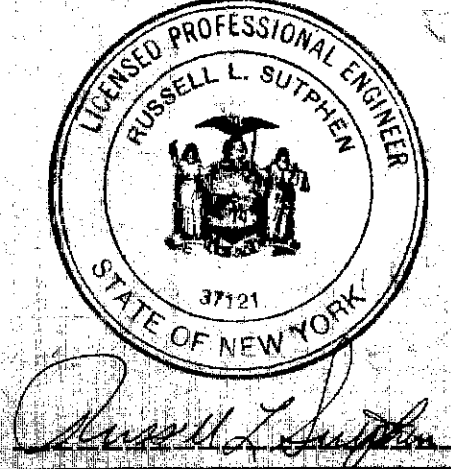
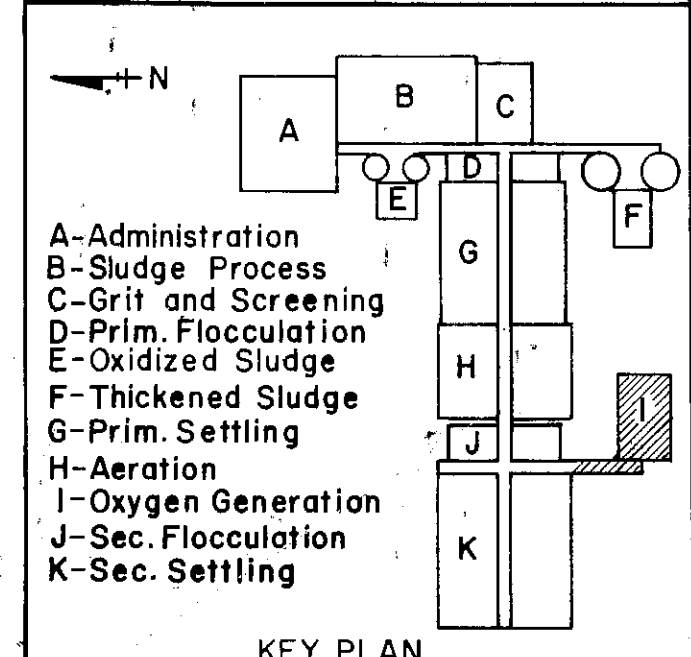
FLOOR PLAN
Scale: 1/8" = 1'-0"

PILE & FOUNDATION PLAN - UNIT I
Scale: 1/8" = 1'-0"

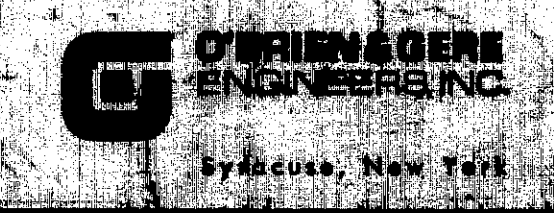
SECONDARY CROSS GALLERY SOUTH
T.O.S. El. 378.50

PILE & FOUNDATION PLAN - SECONDARY CROSS GALLERY SOUTH
Scale: 1/8" = 1'-0"

NOTE:
 Live Load @ El. 390.50 & 378.50 = 250psf or 6 ton
 for lifts @ 387.50 = 150psf.



In charge of	W. Santal	1/8" = 1'-0"	NO.	DATE	REVISION	INT.
Designed by	J.D.					
Checked by	G.A.					
Made by	F.E.S., G.P.X., R.U.B.					

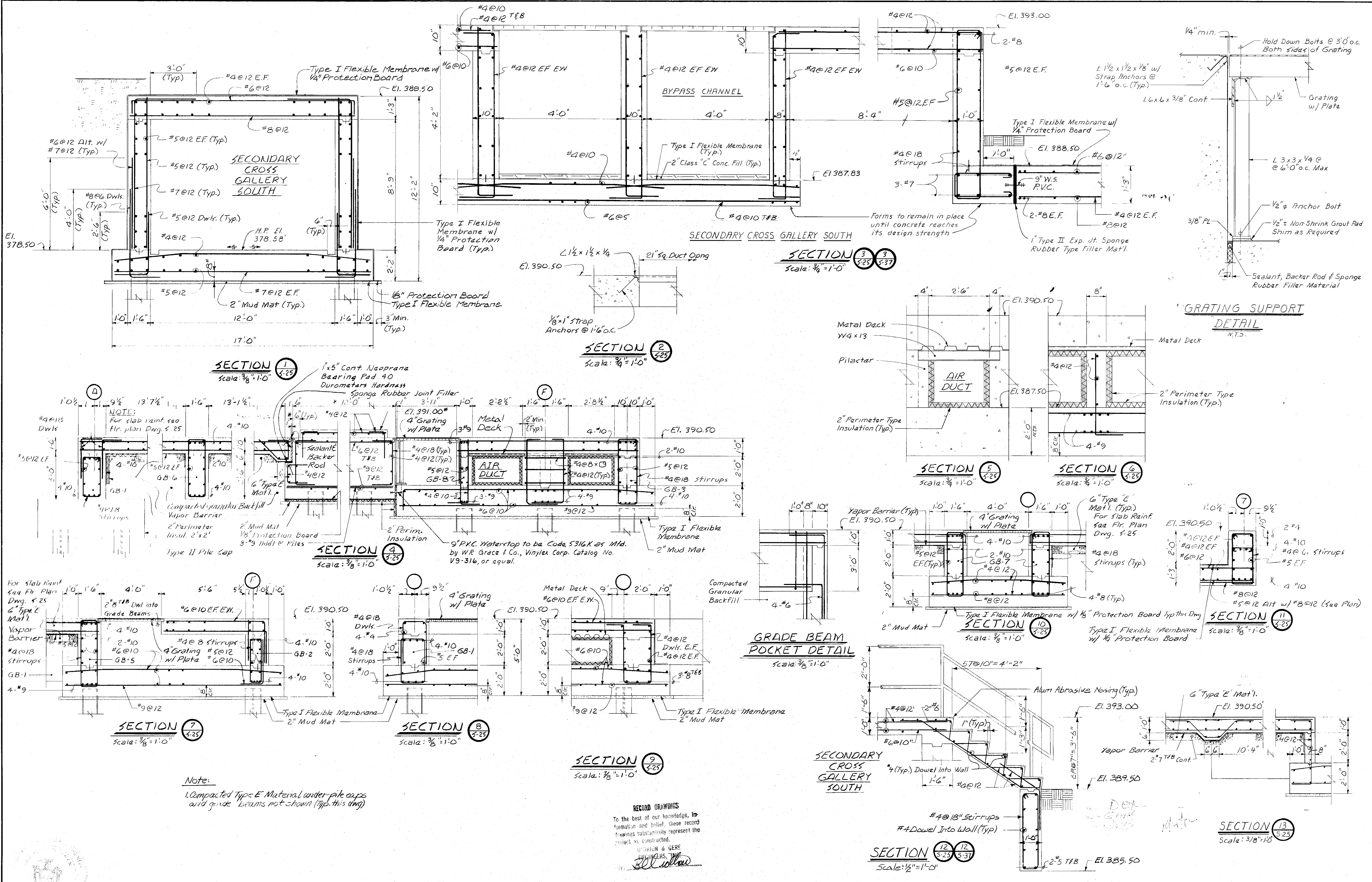


CLAY SANITARY DISTRICT
 OAK ORCHARD SERVICE AREA
 OAK ORCHARD WATER POLLUTION CONTROL PLANT

STRUCTURAL
 OXYGEN GENERATION BUILDING
 PLANS

FILE NO. 115-219.180F
 DATE JULY 1, 1975
 S-25

AB



Note:
1. Compacted Type E Material under pile caps and grade beams not shown (Typ. this dwg)

RECORD DRAWINGS
To the best of our knowledge, information and belief, these record drawings substantially represent the project as constructed.
O'BRIEN & GERE ENGINEERS, INC.
Syracuse, New York

In charge of <i>M. J. ...</i>	3/8" = 1'-0"	1 0 1 2 3 4 5 6 7	NO. DATE	REVISION	INIT.
Designed by <i>JKD</i> Checked by <i>JMS</i>	3/4" = 1'-0"	0 1 2 3			
Made by <i>GPK</i>			2/19/78	General Revisions	

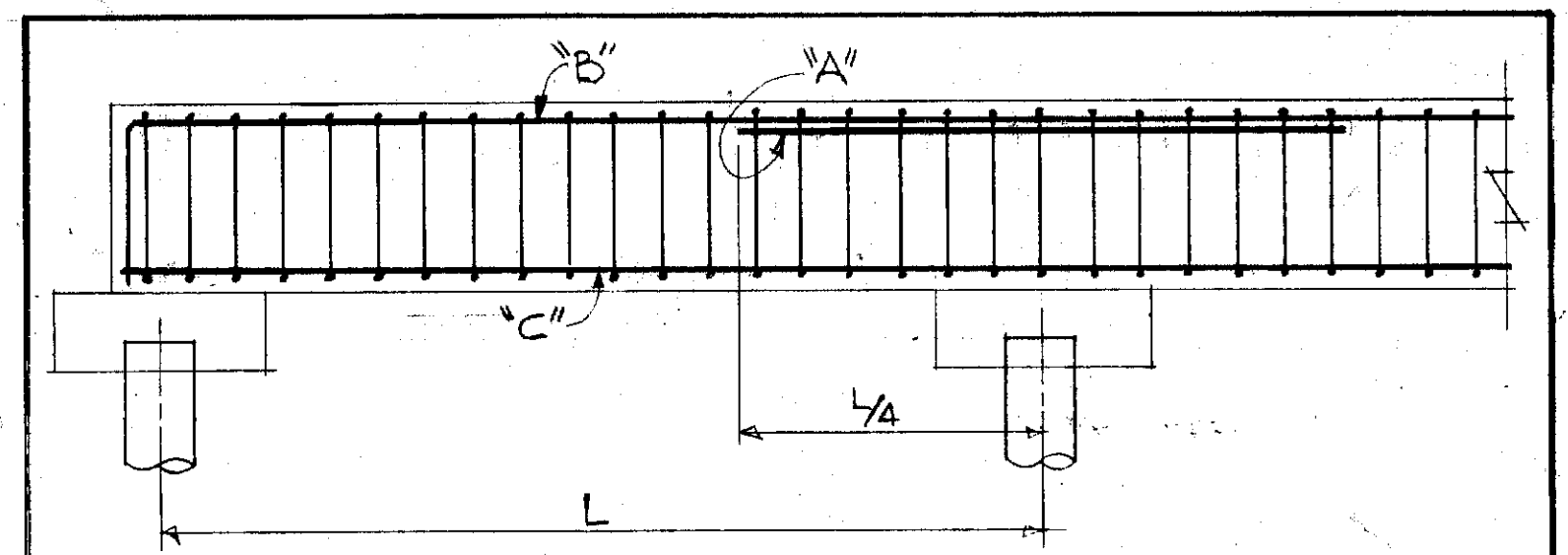
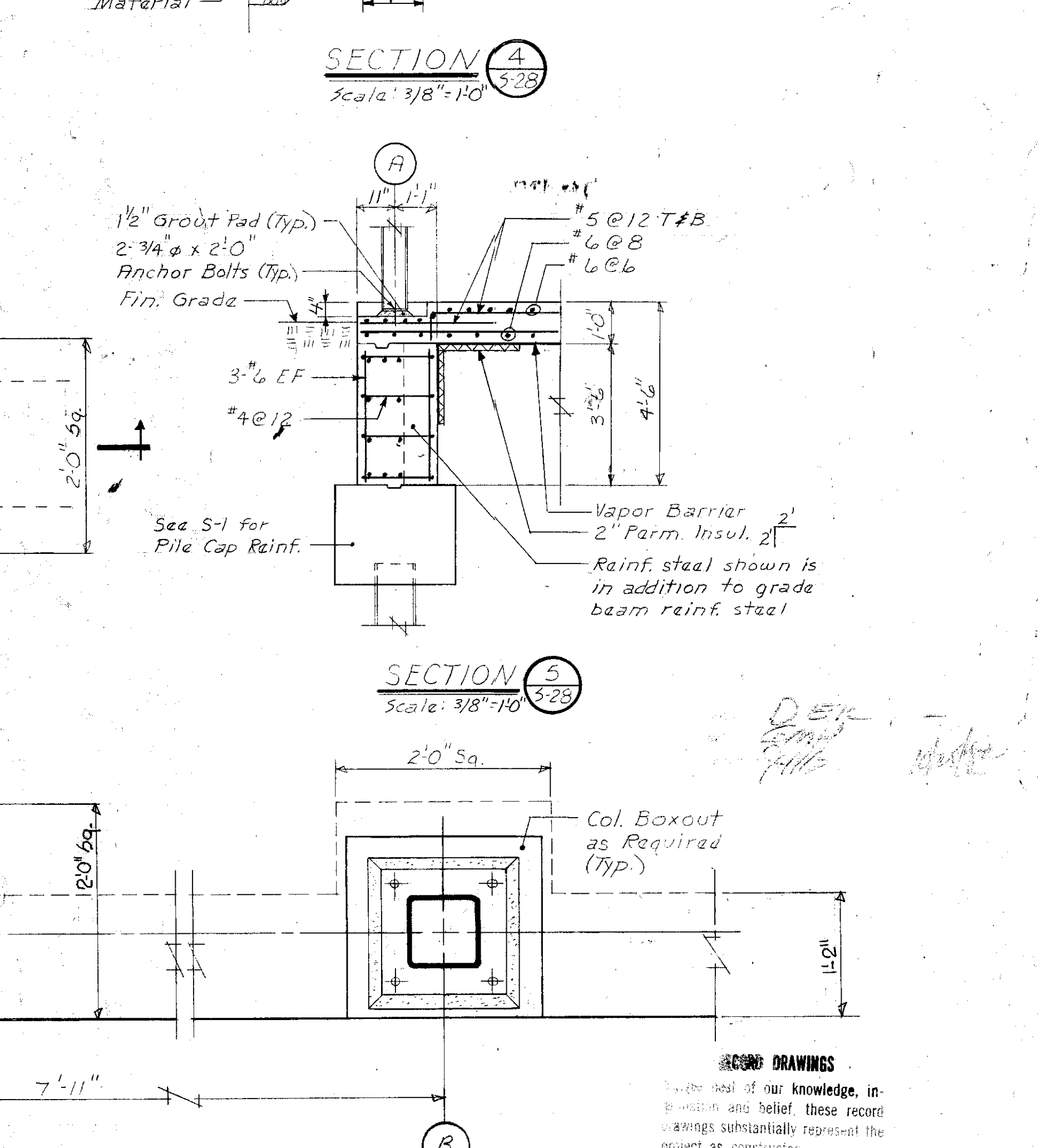
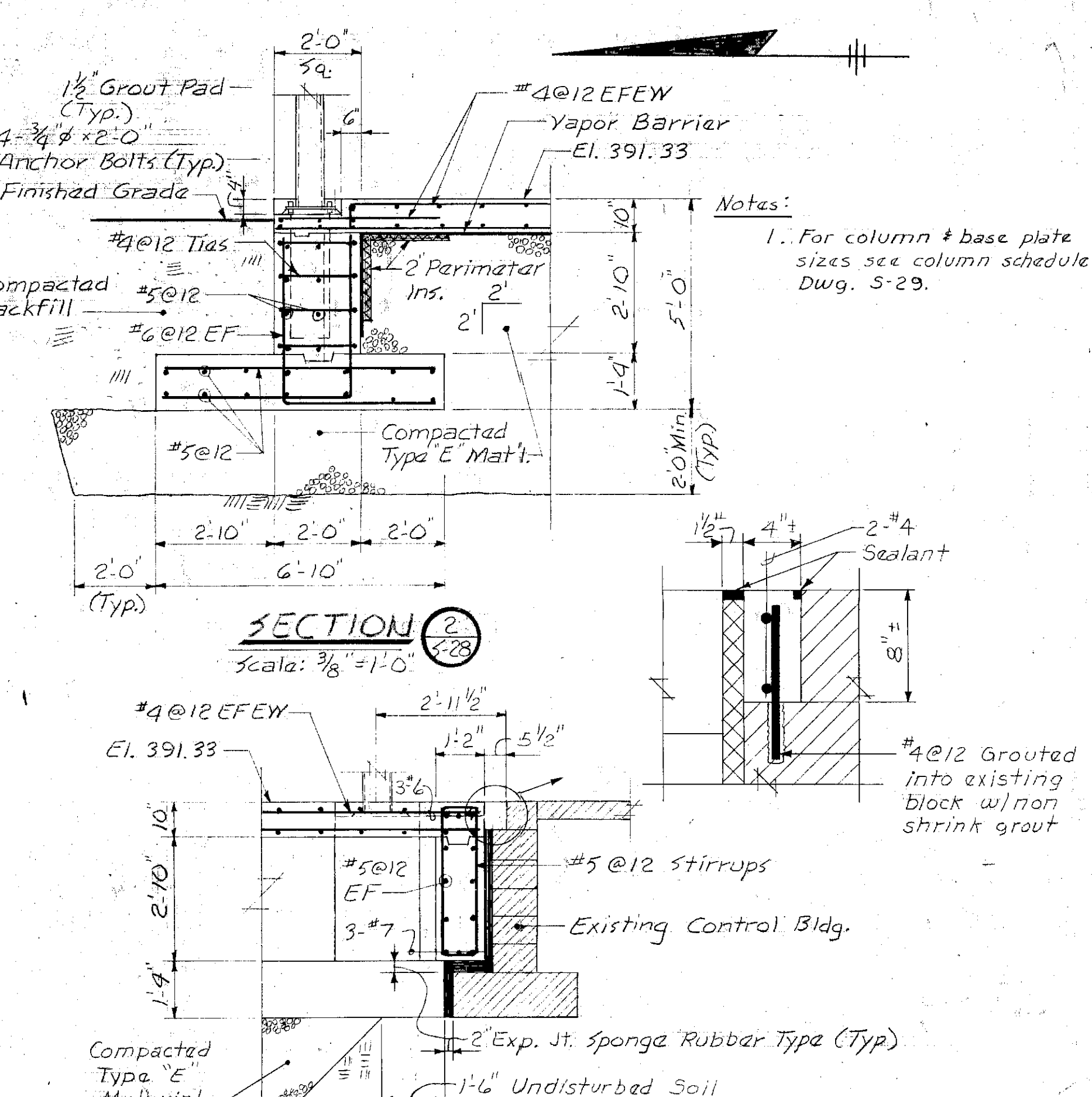
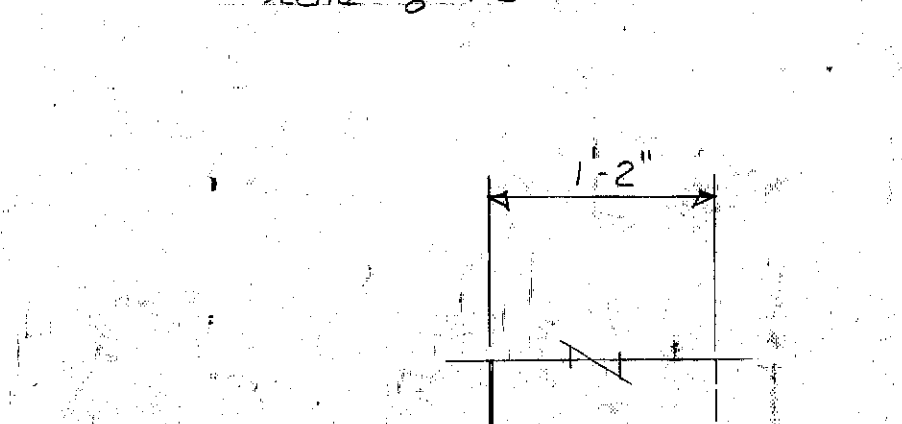
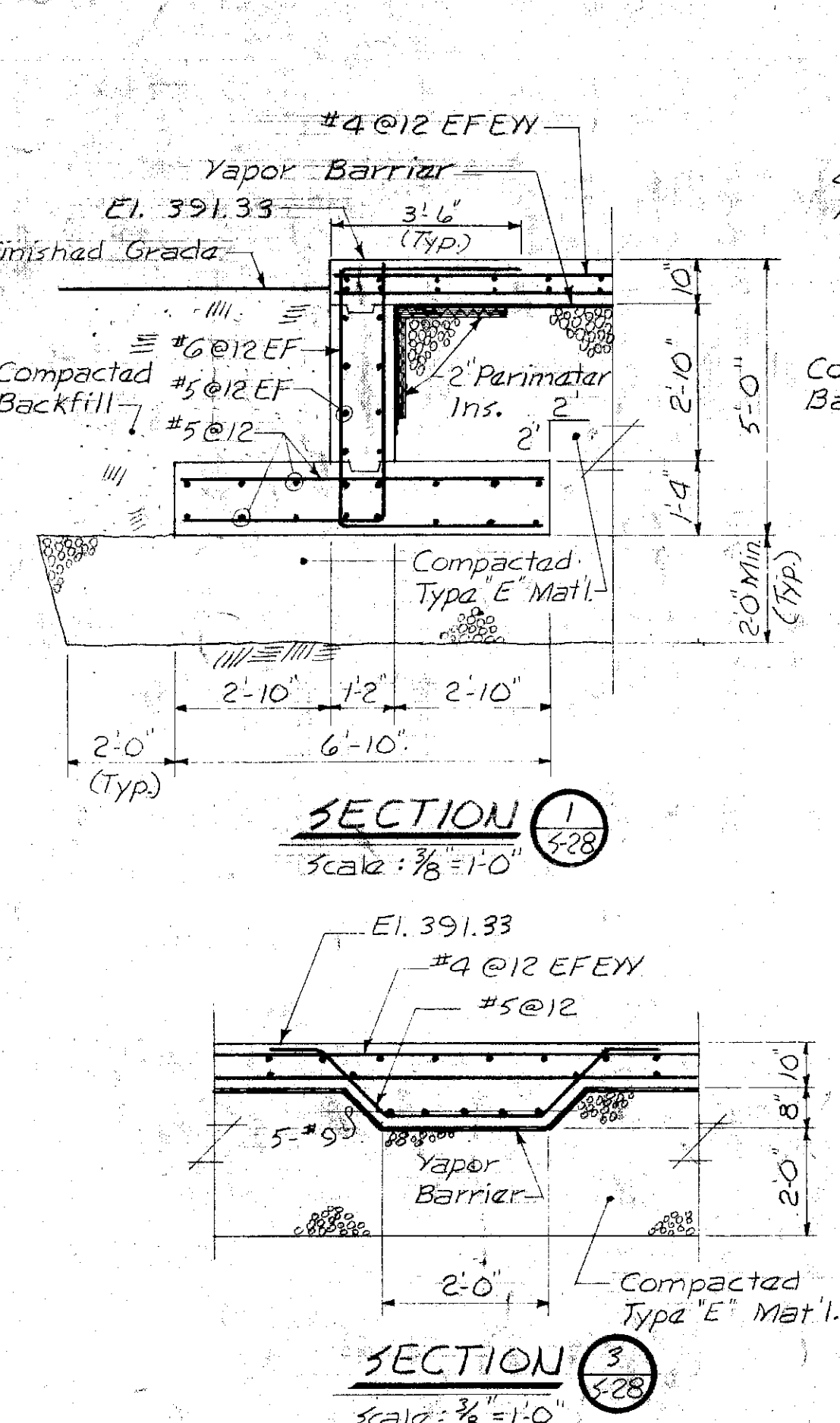
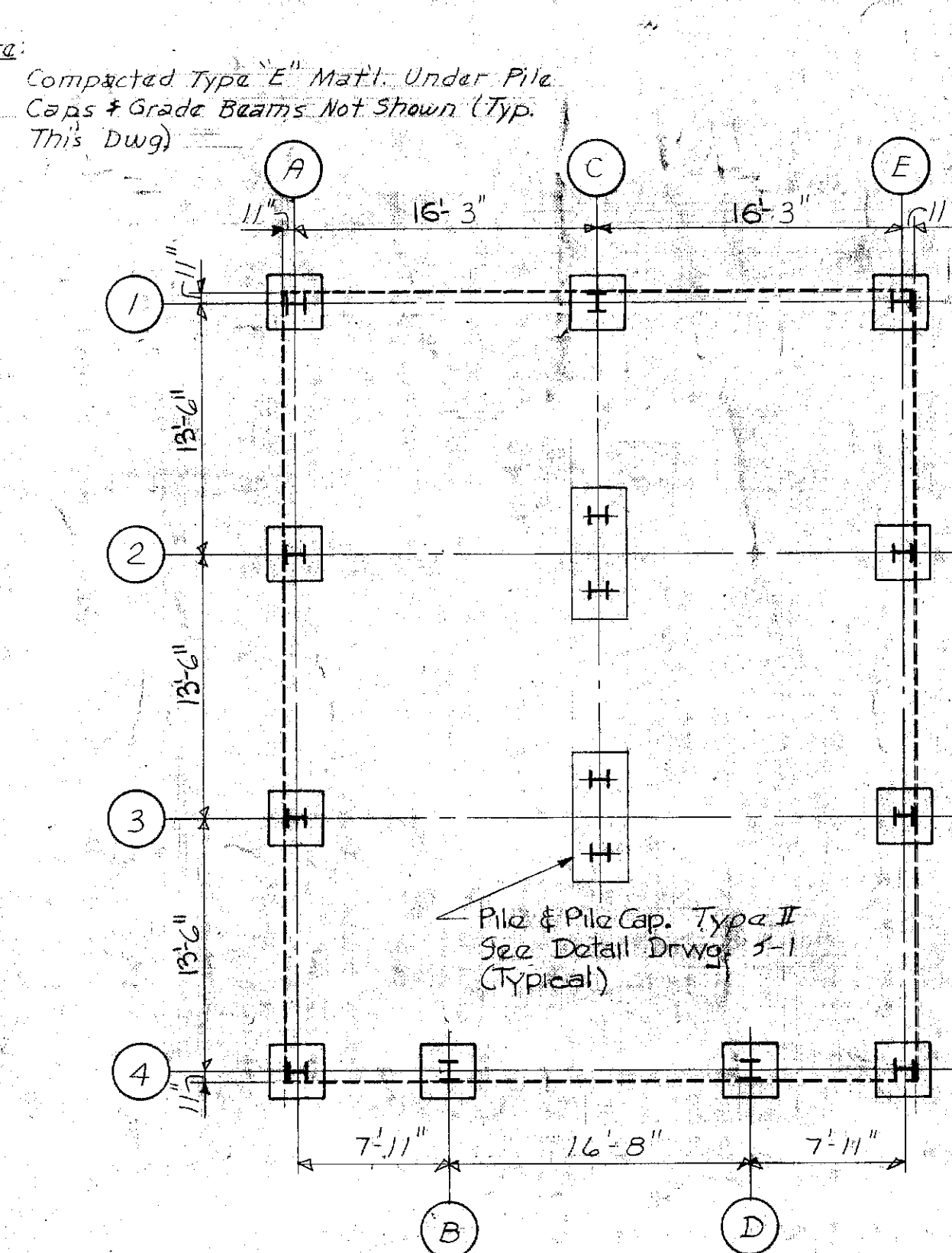
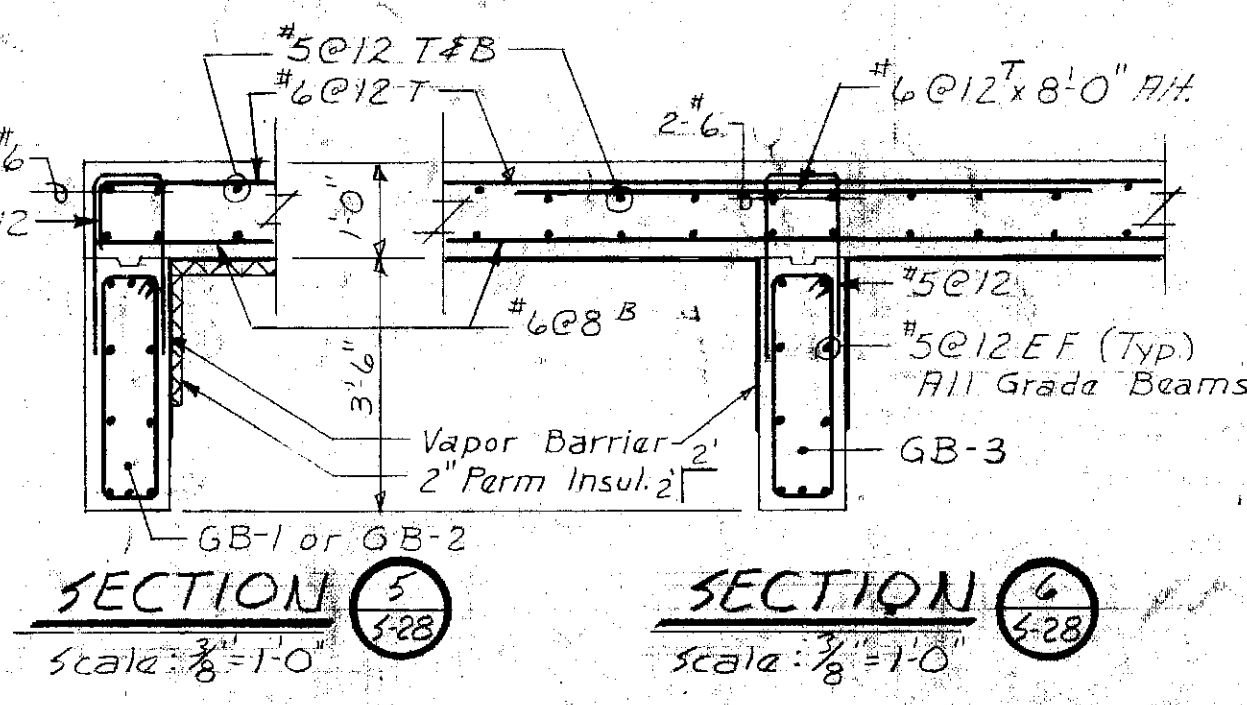
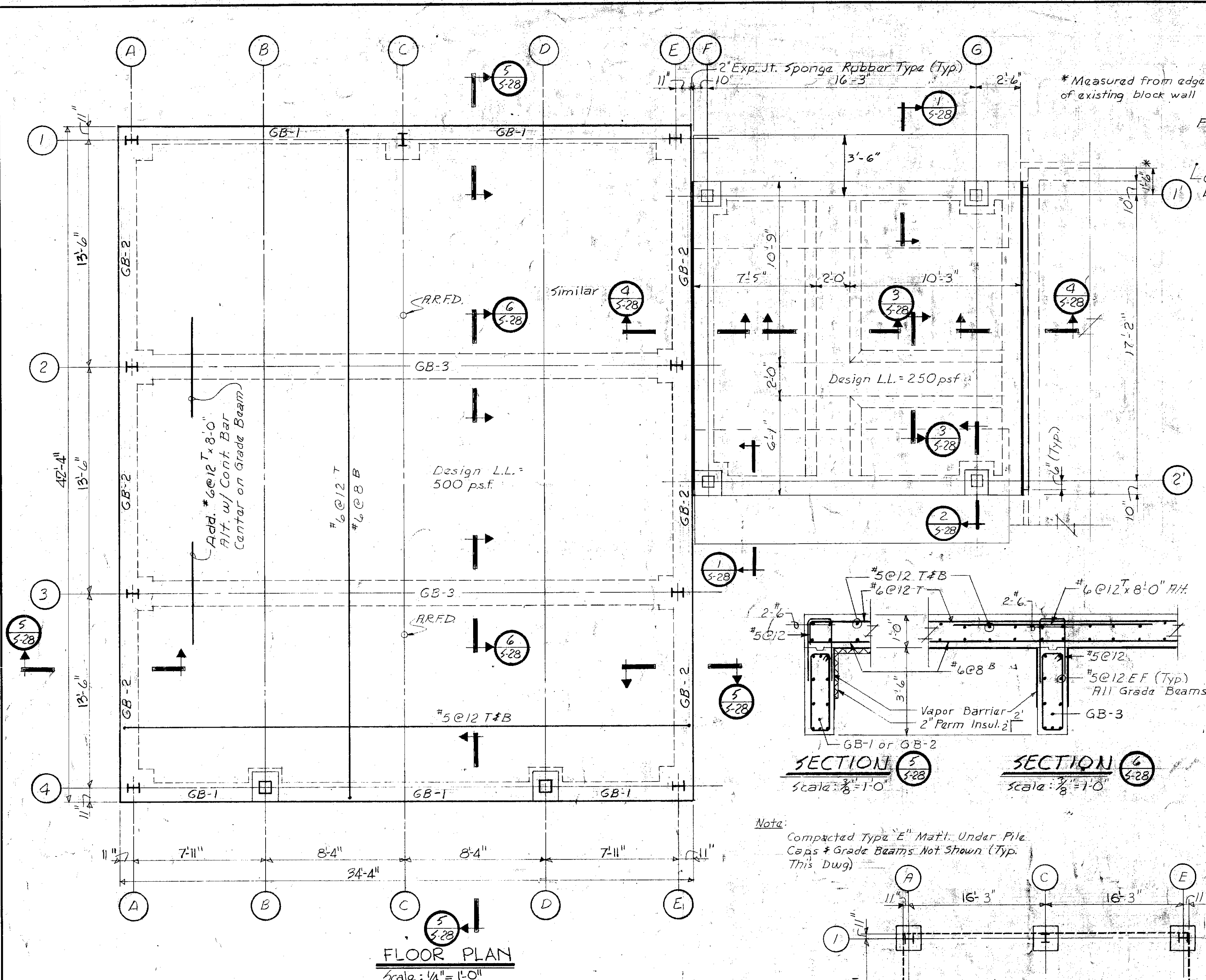
O'BRIEN & GERE ENGINEERS, INC.
Syracuse, New York

CLAY SANITARY DISTRICT
OAK ORCHARD SERVICE AREA
OAK ORCHARD WATER POLLUTION CONTROL PLANT

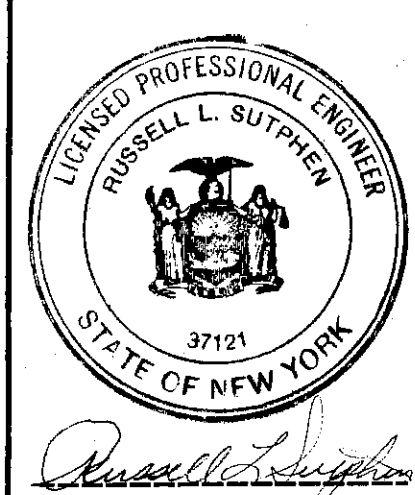
STRUCTURAL
OXYGEN GENERATION BUILDING
SECTIONS

FILE NO. 115.219.221 F	S-27
DATE JULY 1, 1975	

AB

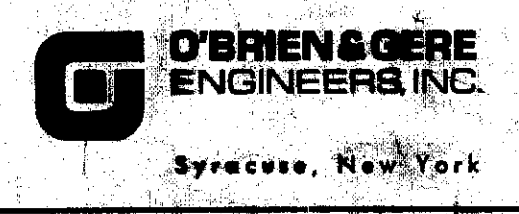


GRADE BEAM SCHEDULE							
GRADE BEAM	WIDTH	DEPTH	REINFORCING			STIRRUPS	REMARKS
			A	B	C		
GB-1	14	42	1-#3	3-#8	3-#9	#5@12	
GB-2	14	42	-	3-#6	3-#6	#5@12	
GB-3	14	42	2-#9	2-#9	3-#9	#5@12	



In charge of *M. K. Kato*
Designed by *TWS* Checked by *GAA*
Made by *D.R.T., GPK*

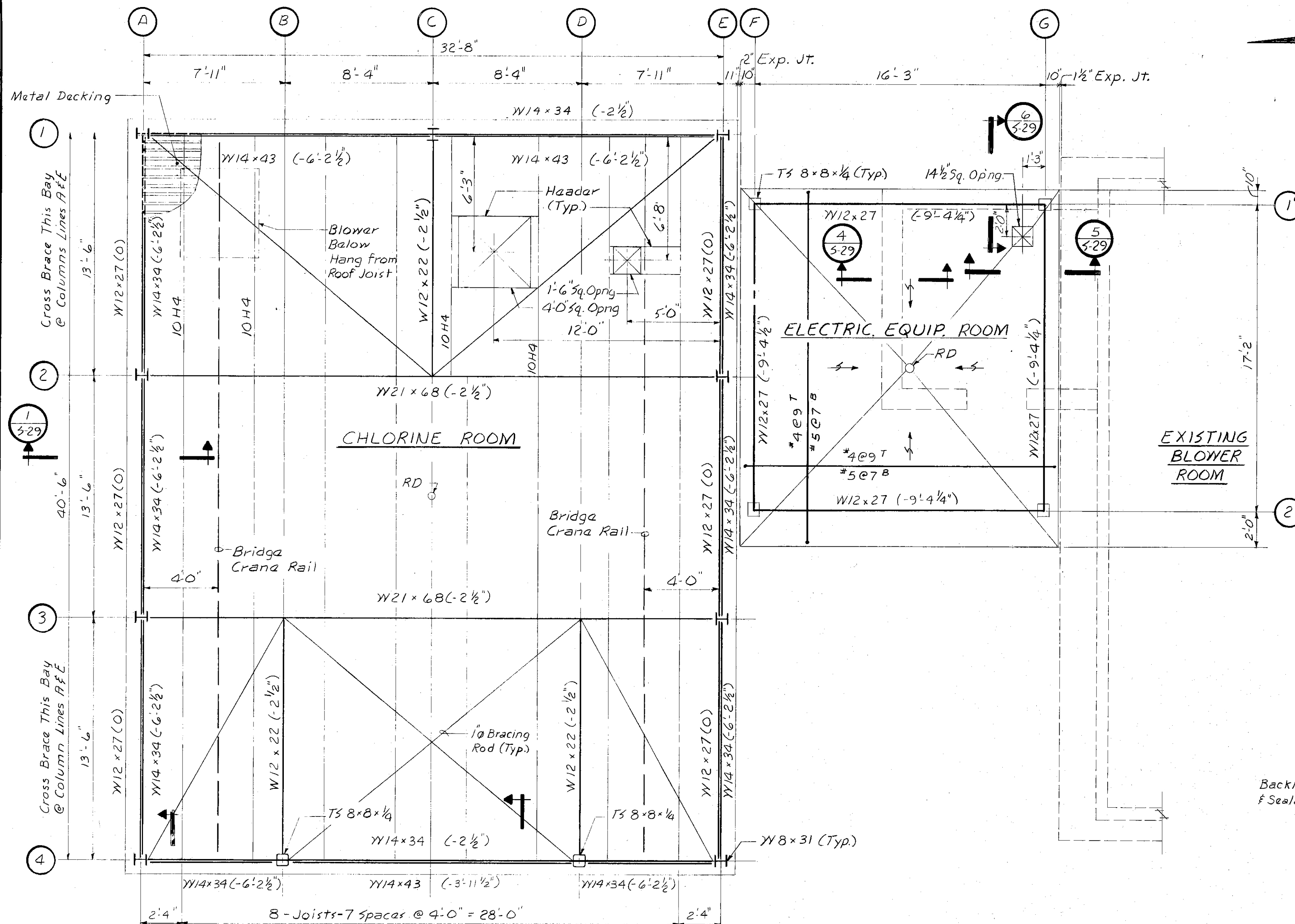
NO.	DATE	REVISION	INIT.
1	2/14/78	General Revisions	
2	5/4/77	General Revisions	



CLAY SANITARY DISTRICT
OAK ORCHARD SERVICE AREA
OAK ORCHARD WATER POLLUTION CONTROL PLANT

STRUCTURAL
CHLORINATION BUILDING
PLANS & DETAILS

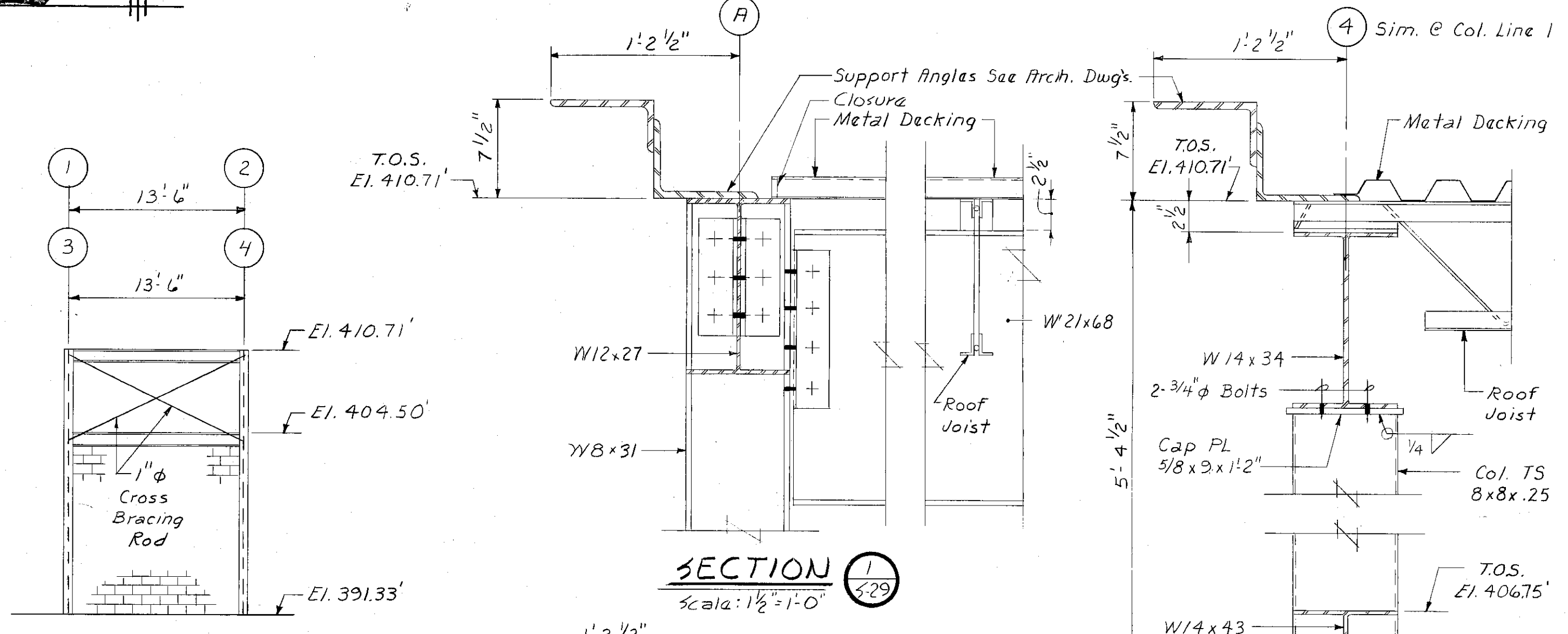
FILE NO. 115.219.183F
DATE JULY 1, 1975
S-28



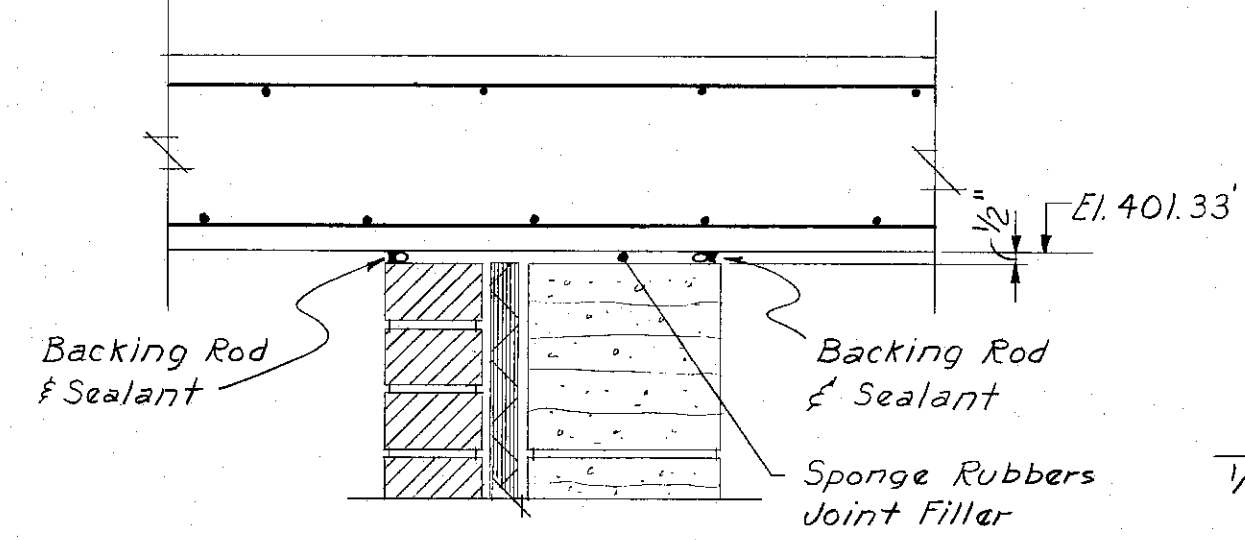
ROOF PLAN
Scale: 1/4" = 1'-0"

STEEL COLUMN SCHEDULE		1A	1C	1E	2A	2E	4B	4D	1F	1G	
		3A	3E	4A	4E			2F	2G		
Top of steel	El. 410.71										
Top of steel	El. 401.36										
Top of slab	El. 391.33										
BASE PLATE	N	9"	14"	14"	14"	14"	14"	14"	14"	14"	
	L	9"	14"	14"	14"	14"	14"	14"	14"	14"	
	T	1"	1"	1"	1"	1"	1"	1"	1"	1"	
ANCHOR BOLTS		2-3/4" φ x 2'-0"	4-3/4" φ x 2'-0"	4-3/4" φ x 2'-0"	4-3/4" φ x 2'-0"	4-3/4" φ x 2'-0"	4-3/4" φ x 2'-0"	4-3/4" φ x 2'-0"	4-3/4" φ x 2'-0"	4-3/4" φ x 2'-0"	

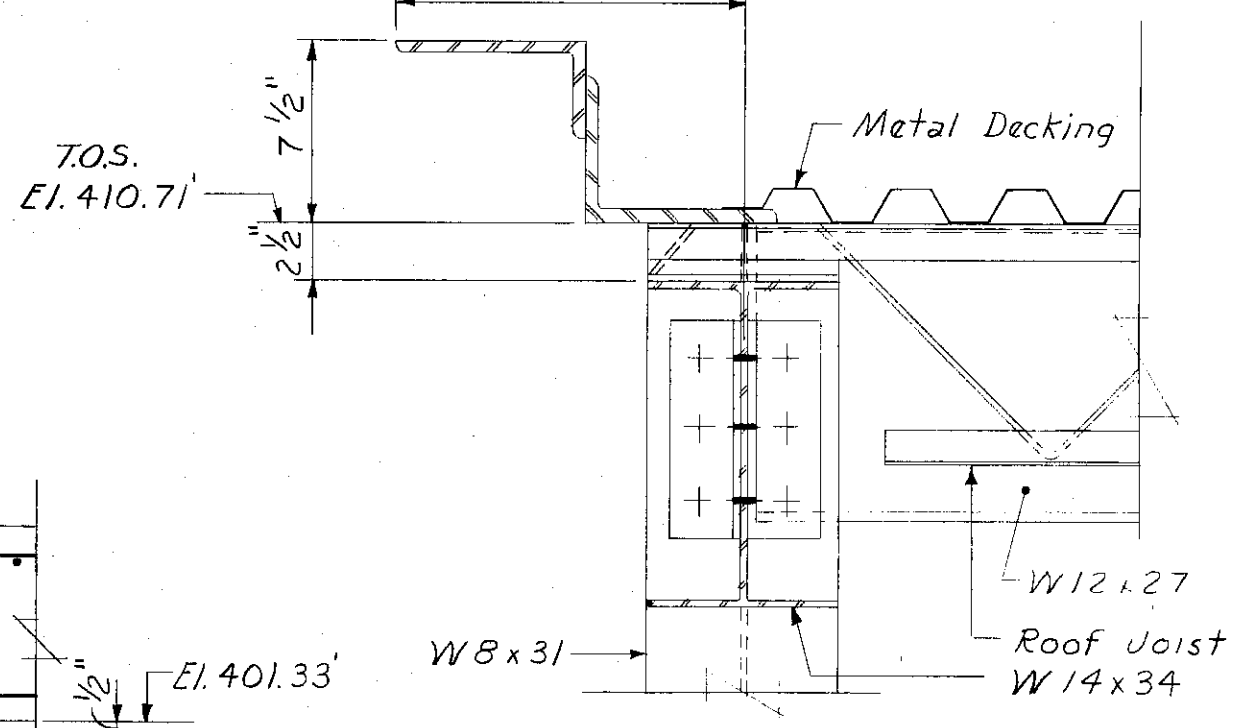
- NOTES:**
- — Denotes centerline of column.
 - Top of steel is @ elevation 410.71 unless noted (+ or -) therefrom.
 - Elevations noted for the roof system of the Electric Equipment Room shall be verified in the field such that the bottom of the roof deck elevation matches the bottom of existing roof deck of the Blower Room.
 - Lintels @ doors, louvers, etc. are not shown on the roof framing plan. See Arch. Dwg's for specific requirements.
 - Roof joists shall be 10H3 except as noted otherwise.
 - Refer to Dwg. S-49 for X-bracing details.



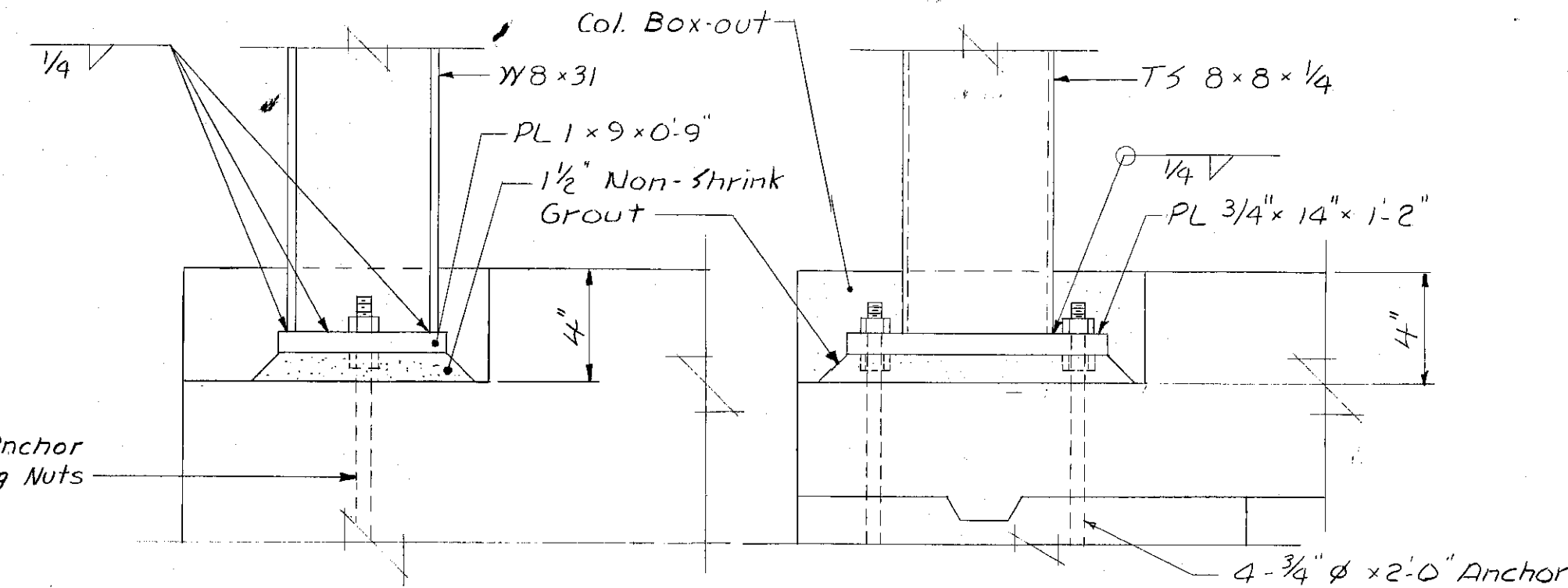
VERTICAL WIND BRACING
Scale: 1/8" = 1'-0"



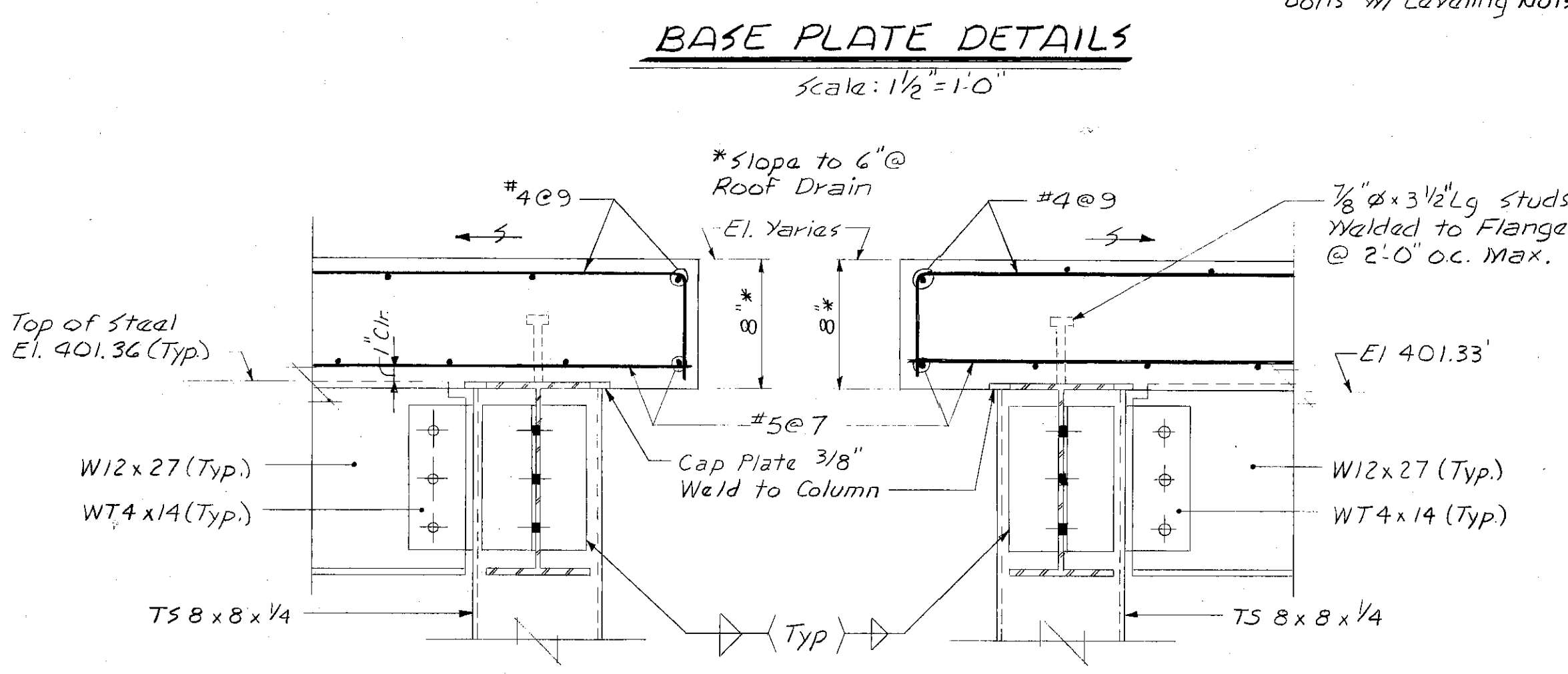
SECTION 4
Scale: 1/2" = 1'-0"



SECTION 1
Scale: 1/2" = 1'-0"

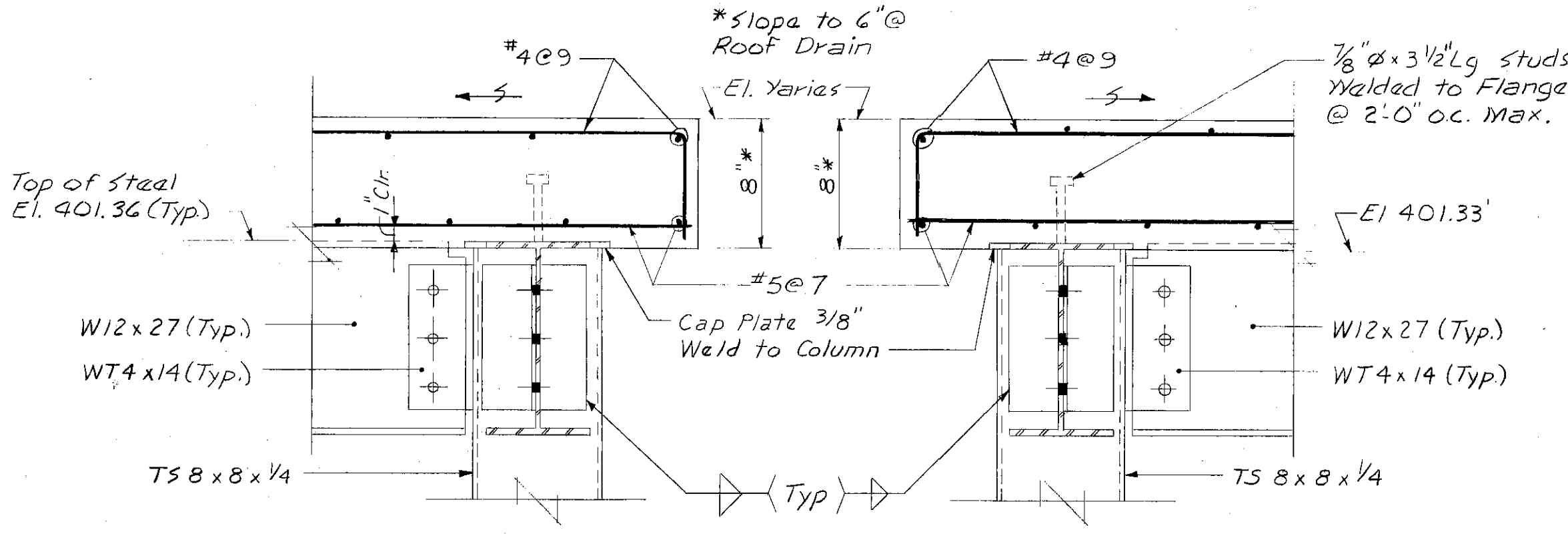


SECTION 2
Scale: 1/2" = 1'-0"



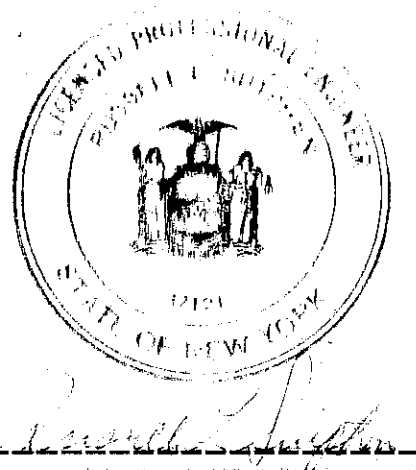
SECTION 3
Scale: 1/2" = 1'-0"

BASE PLATE DETAILS
Scale: 1/2" = 1'-0"



SECTION 5
Scale: 1/2" = 1'-0"

SECTION 6
Scale: 1/2" = 1'-0"



RECORD DRAWINGS
To the best of our knowledge, information and belief, these record drawings substantially represent the project as constructed.
O'BRIEN & GERE
ENGINEERS, INC.
By: *[Signature]*

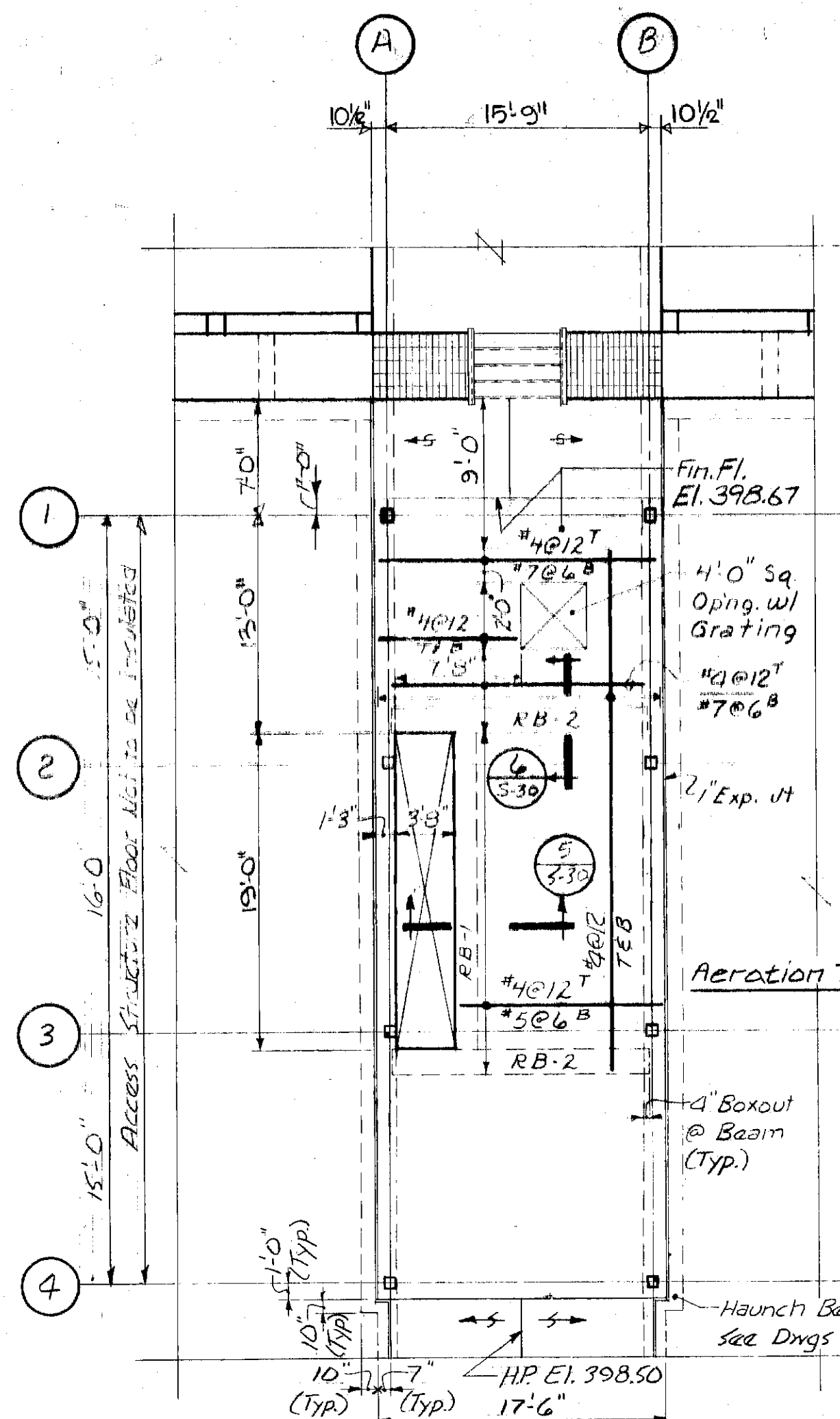
In charge of <i>[Signature]</i>	NO. DATE	REVISION	INIT.
Designed by <i>IWS</i> Checked by <i>GAB</i>	1 2/19/78	General Revisions	<i>[Signature]</i>
Made by <i>GPX</i>	2 5/21/77	General Revisions	<i>[Signature]</i>

O'BRIEN & GERE ENGINEERS, INC.
Syracuse, New York

**CLAY SANITARY DISTRICT
OAK ORCHARD SERVICE AREA
OAK ORCHARD WATER POLLUTION CONTROL PLANT**

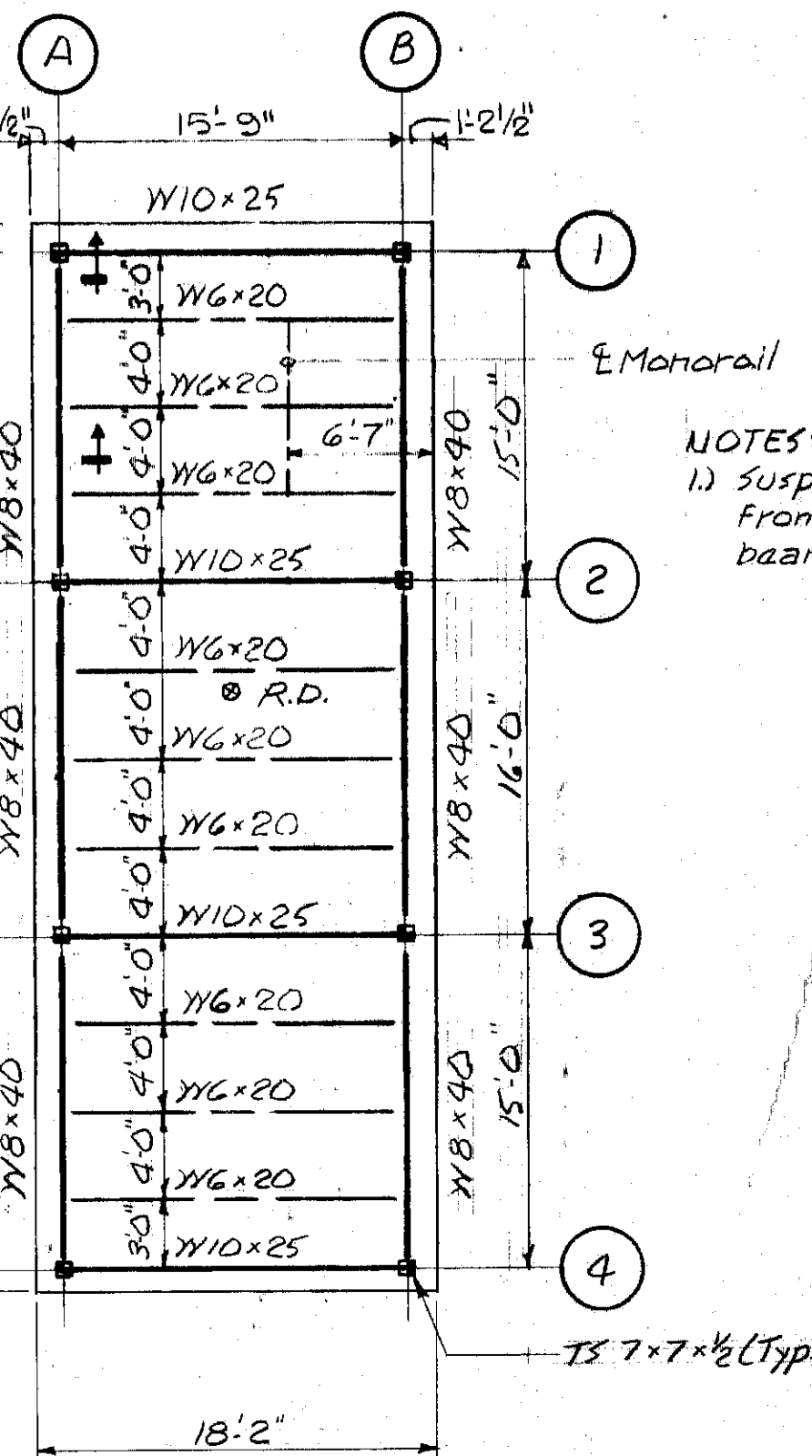
**STRUCTURAL
CHLORINATION BUILDING
ROOF PLAN & DETAILS**

FILE NO. 115.219.184F
DATE JULY 1, 1975
S-29

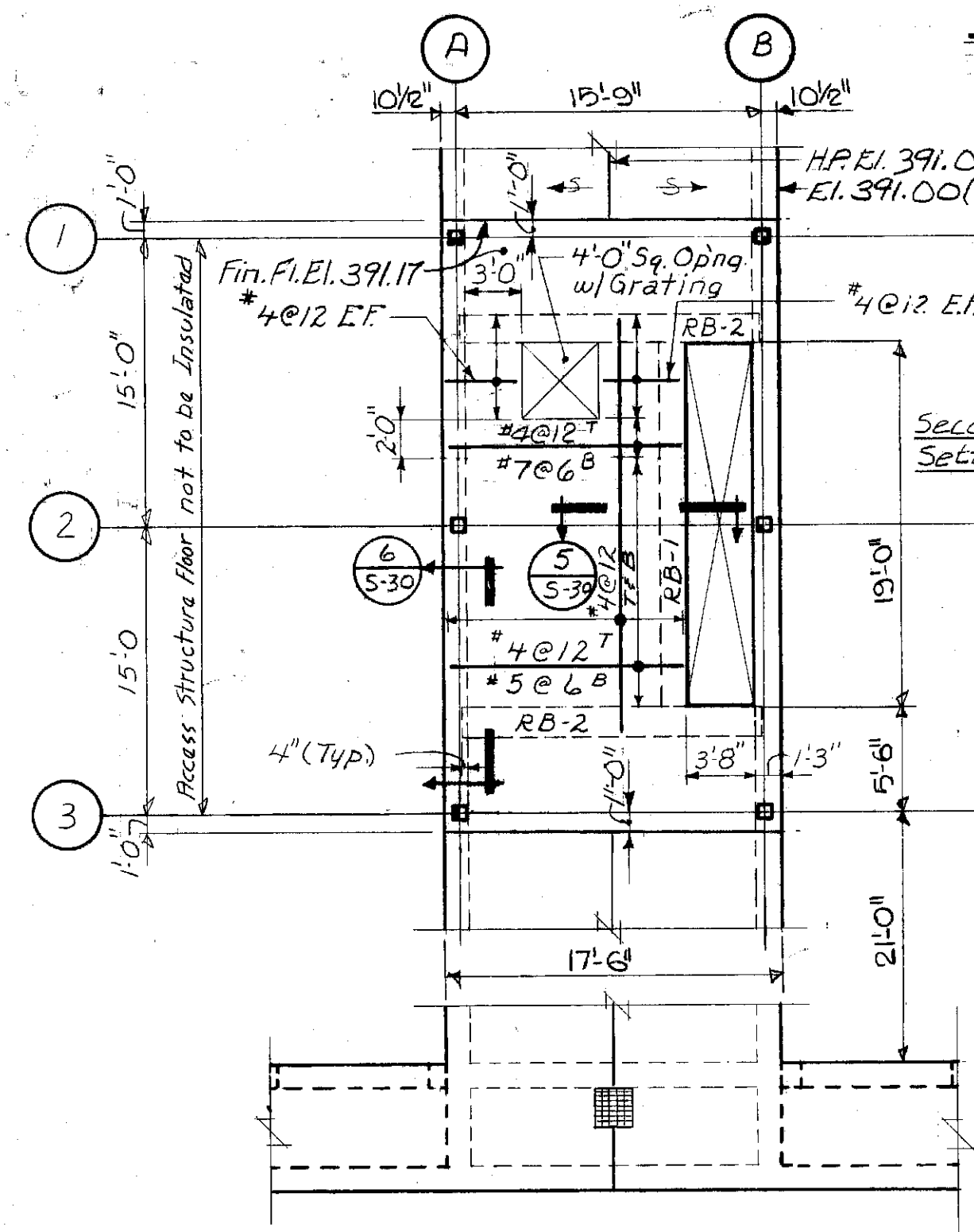


FLOOR PLAN

ACCESS BUILDING UNIT F
Scale: 1/8" = 1'-0"

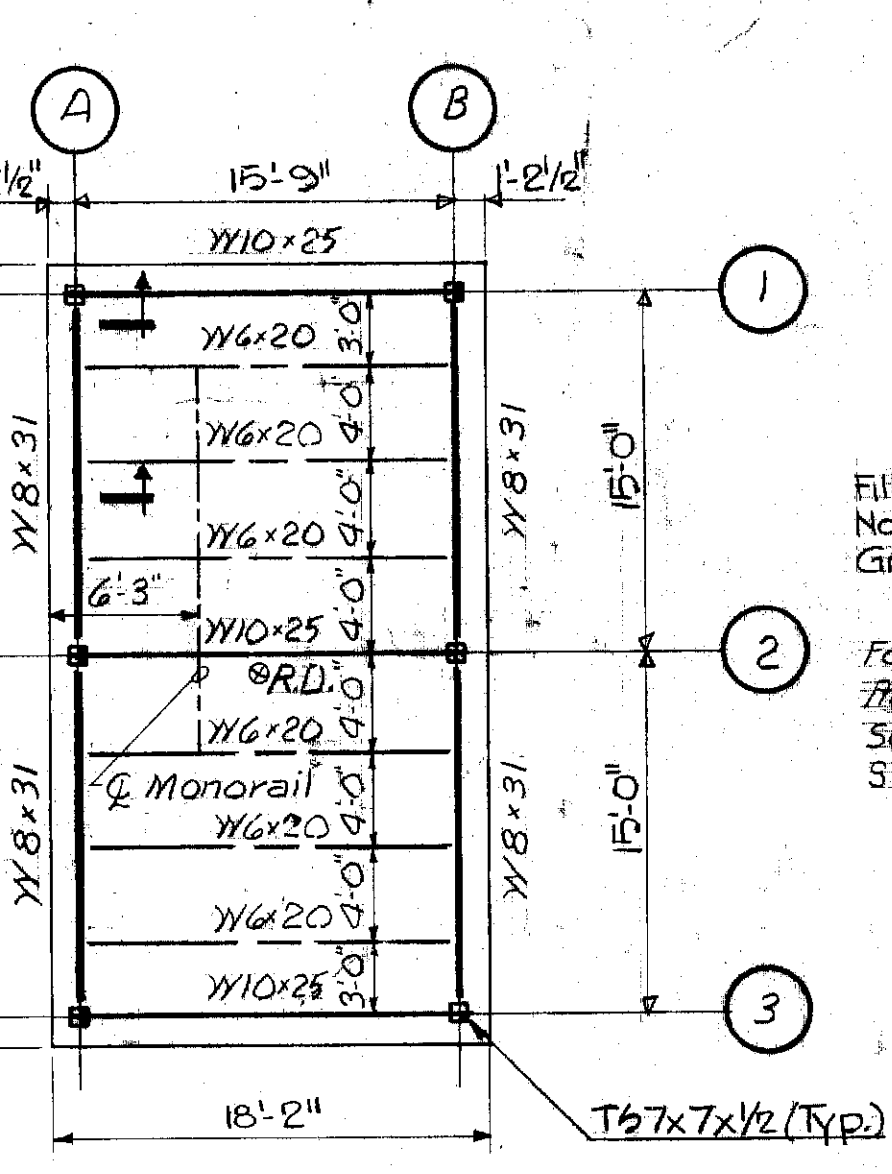


ROOF PLAN



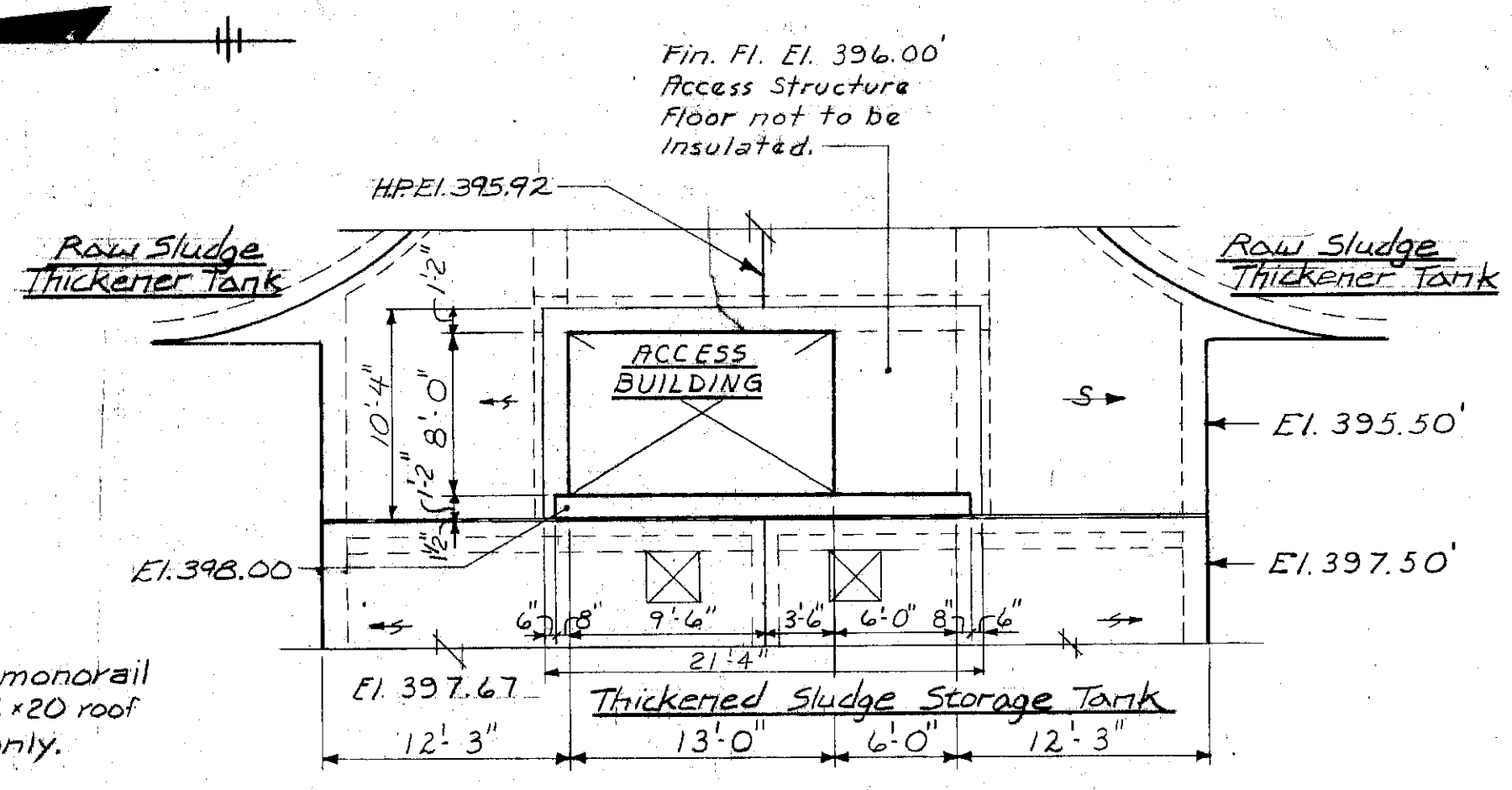
FLOOR PLAN

ACCESS BUILDING UNIT K
Scale: 1/8" = 1'-0"



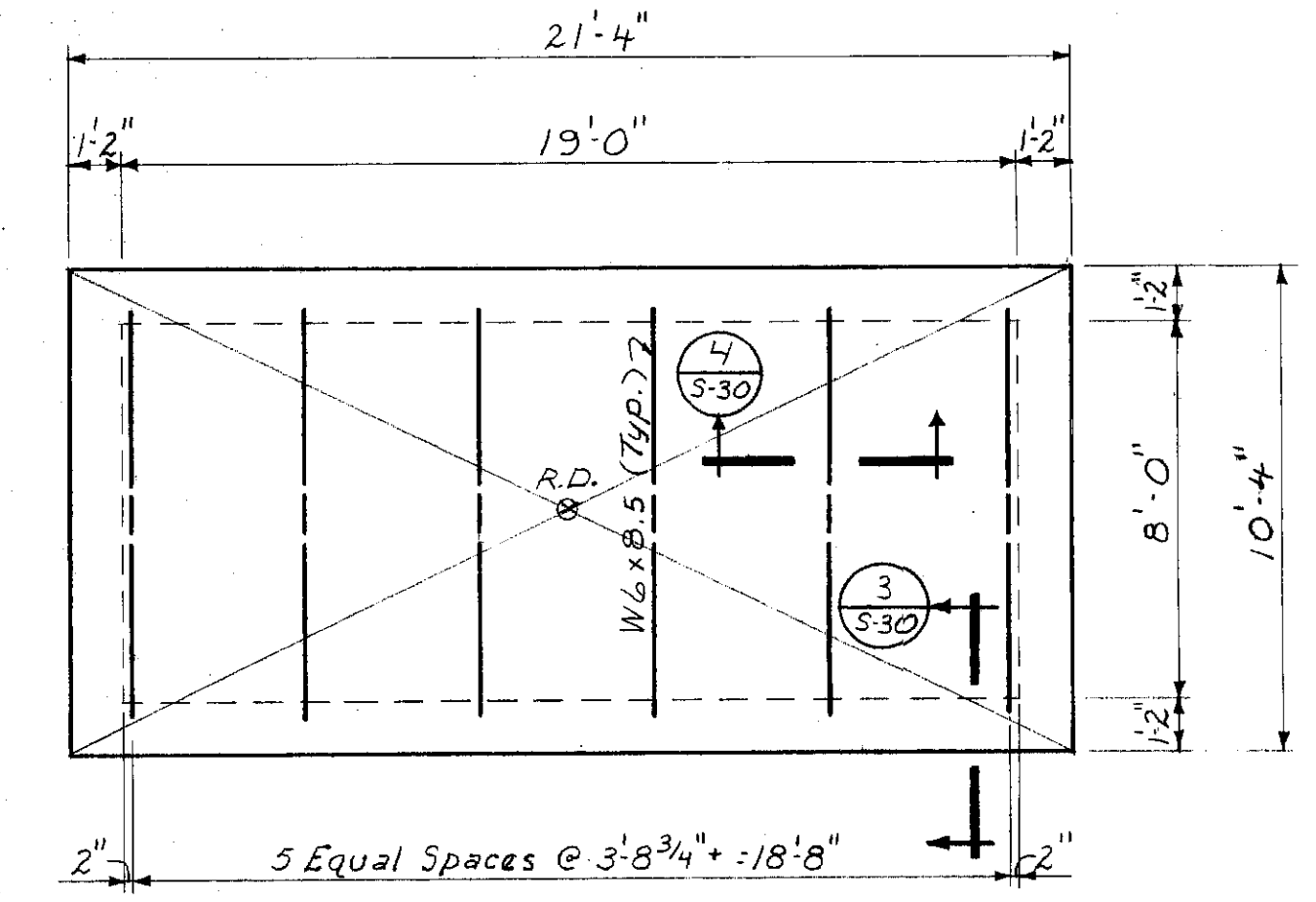
ROOF PLAN

NOTE:
1) Suspend monorail from W6x20 roof beams only.
2) Roof L.L. = 40psf
Floor L.L. = 250psf

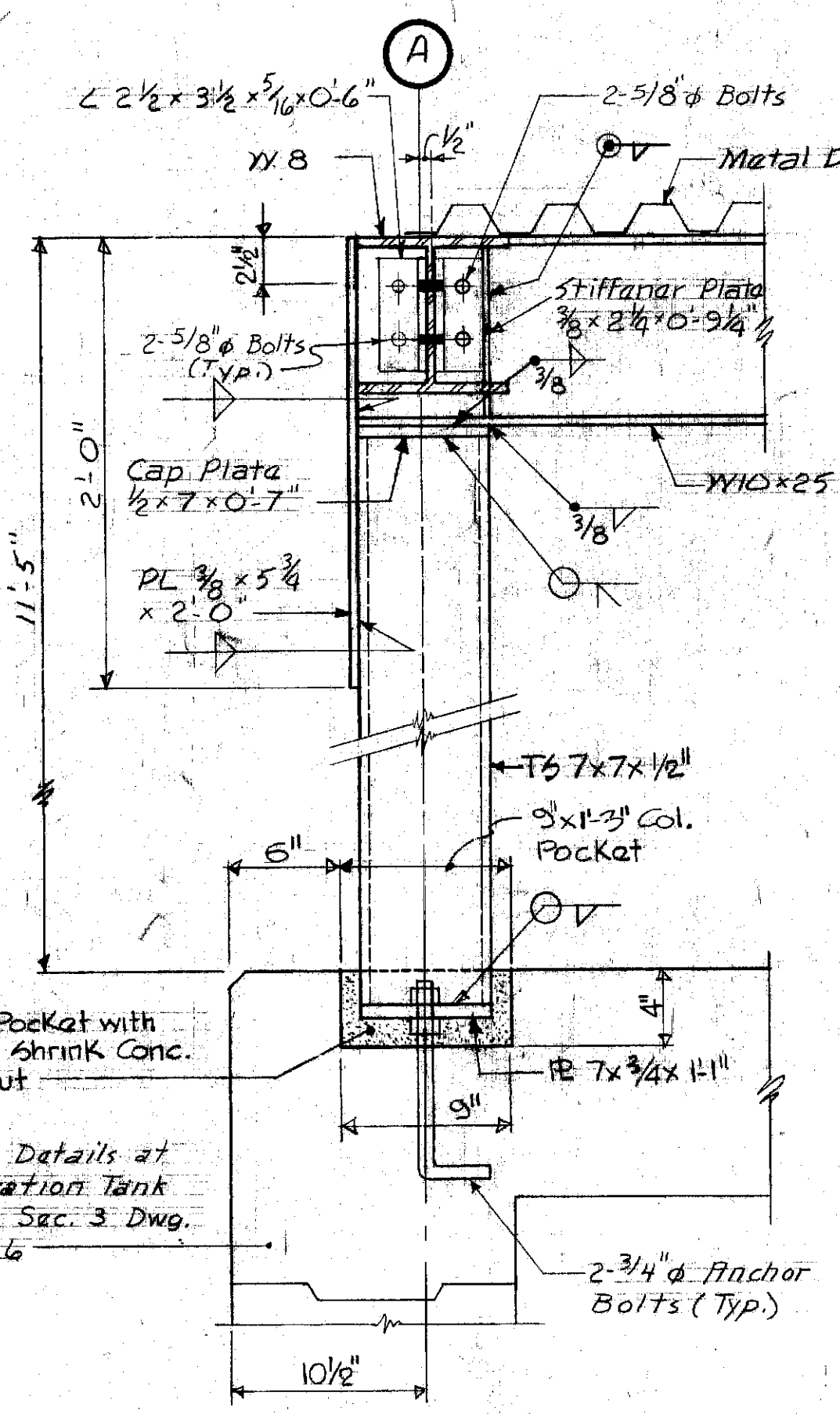


FLOOR PLAN
Scale: 1/8" = 1'-0"

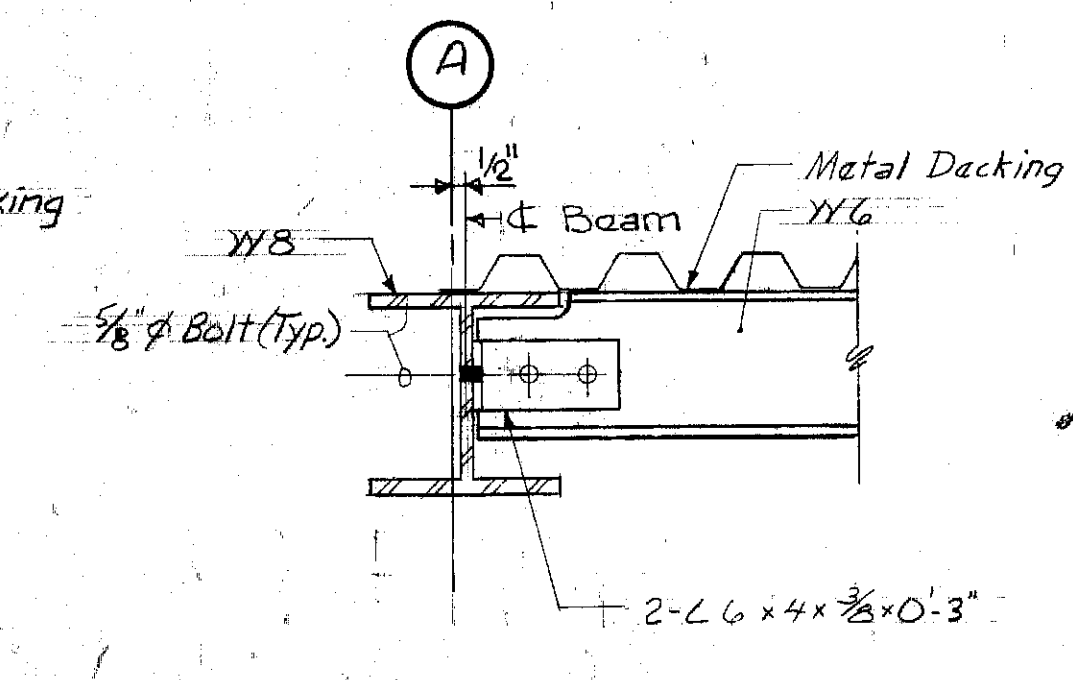
ACCESS BUILDING UNIT "F"



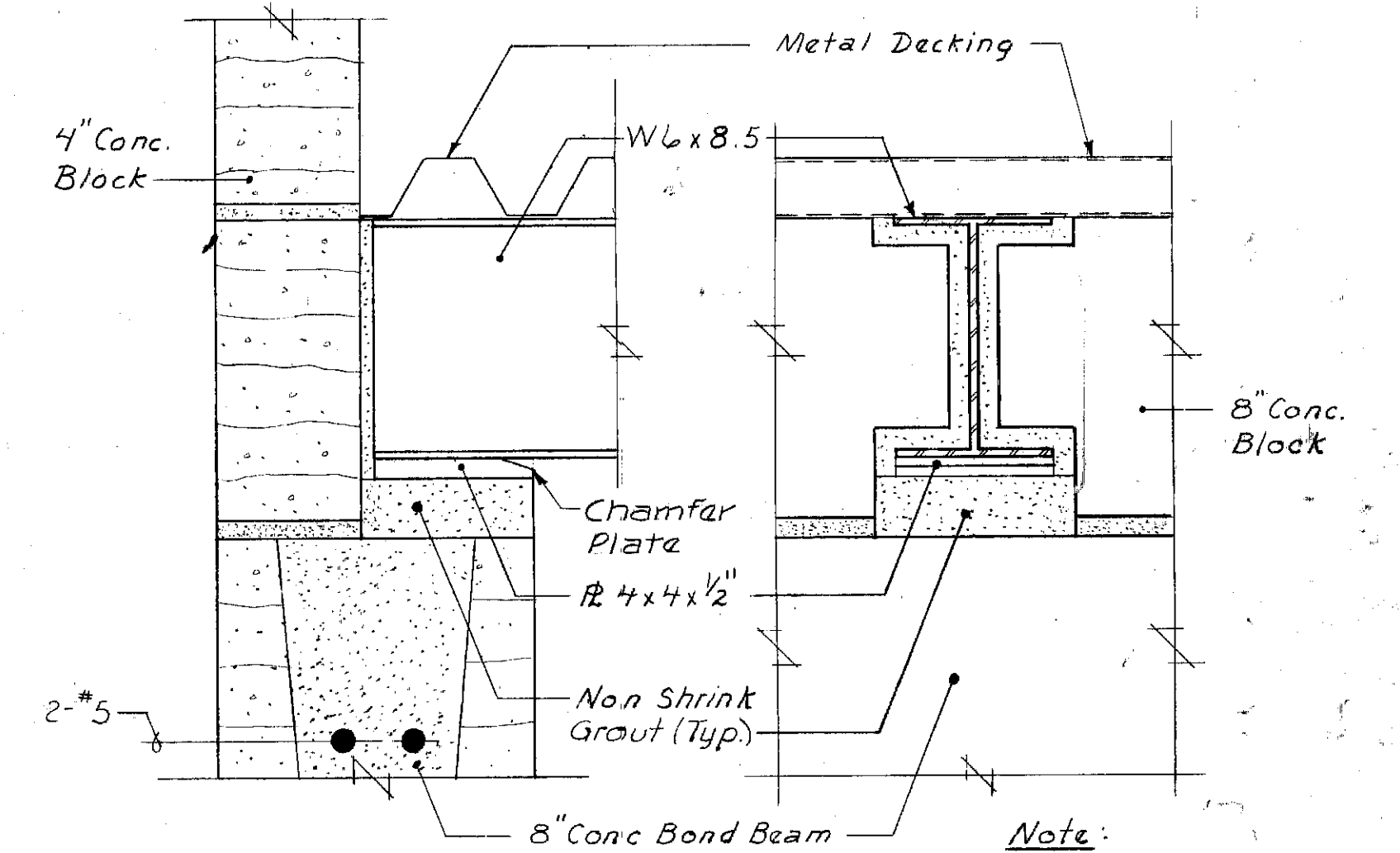
ROOF PLAN
Scale: 1/4" = 1'-0"



SECTION 1
Scale: 1 1/2" = 1'-0"

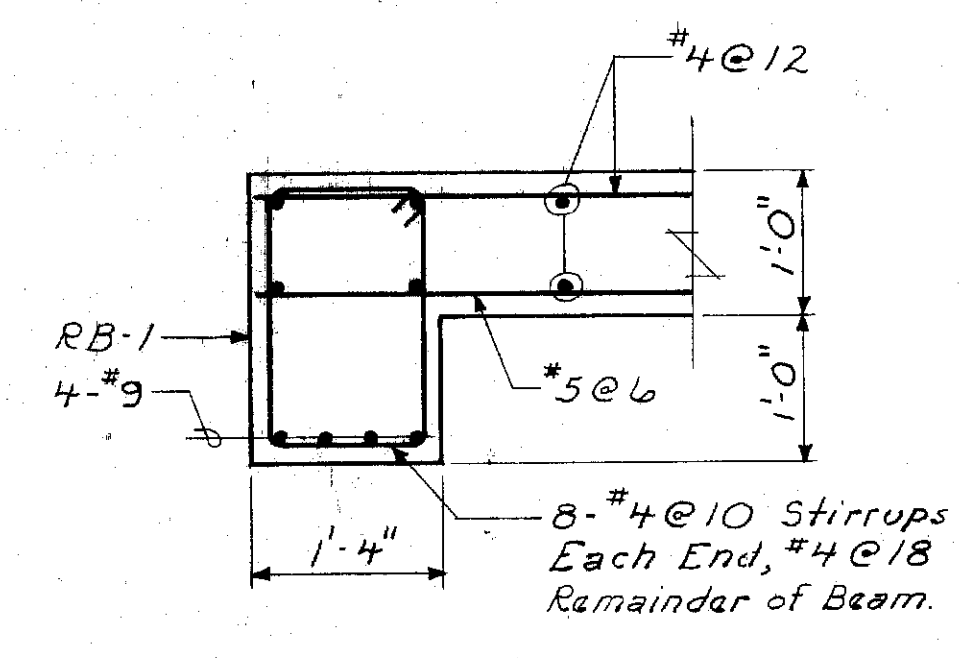


SECTION 2
Scale: 1 1/2" = 1'-0"

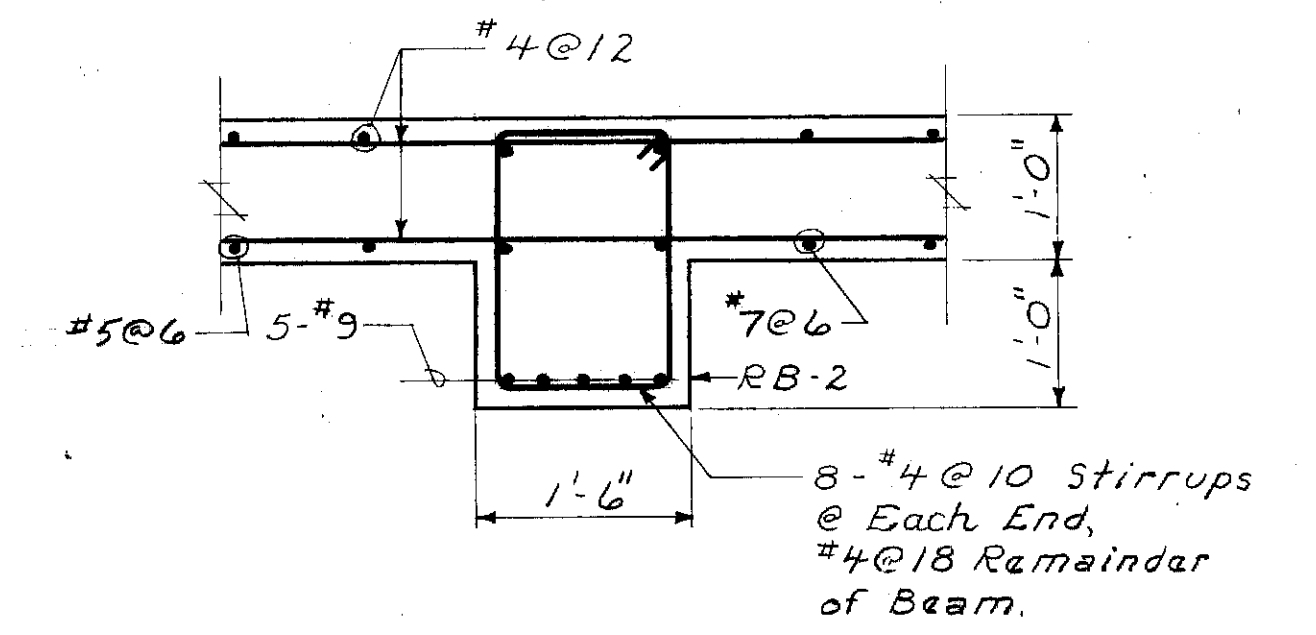


SECTION 3
N.T.S.

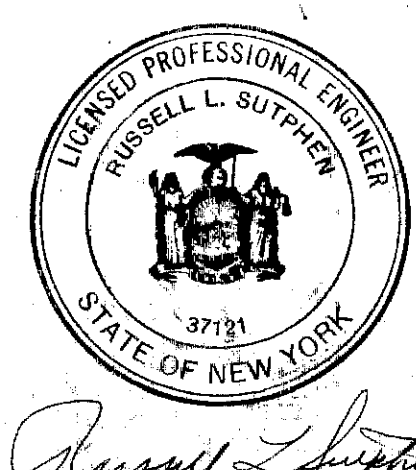
SECTION 4
N.T.S.



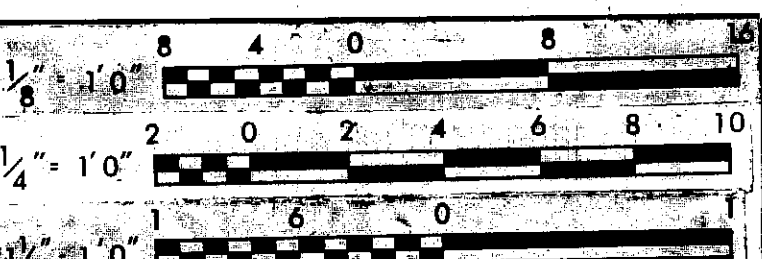
SECTION 5
N.T.S.



SECTION 6
N.T.S.



In charge of M. Kantala
Designed by J.K.P. Checked by T.M.S.
Made by P.B.D.R.T.



NO.	DATE	REVISION	INIT.
1	2/19/78	General Revisions	
2	3/17/78	General Revisions	

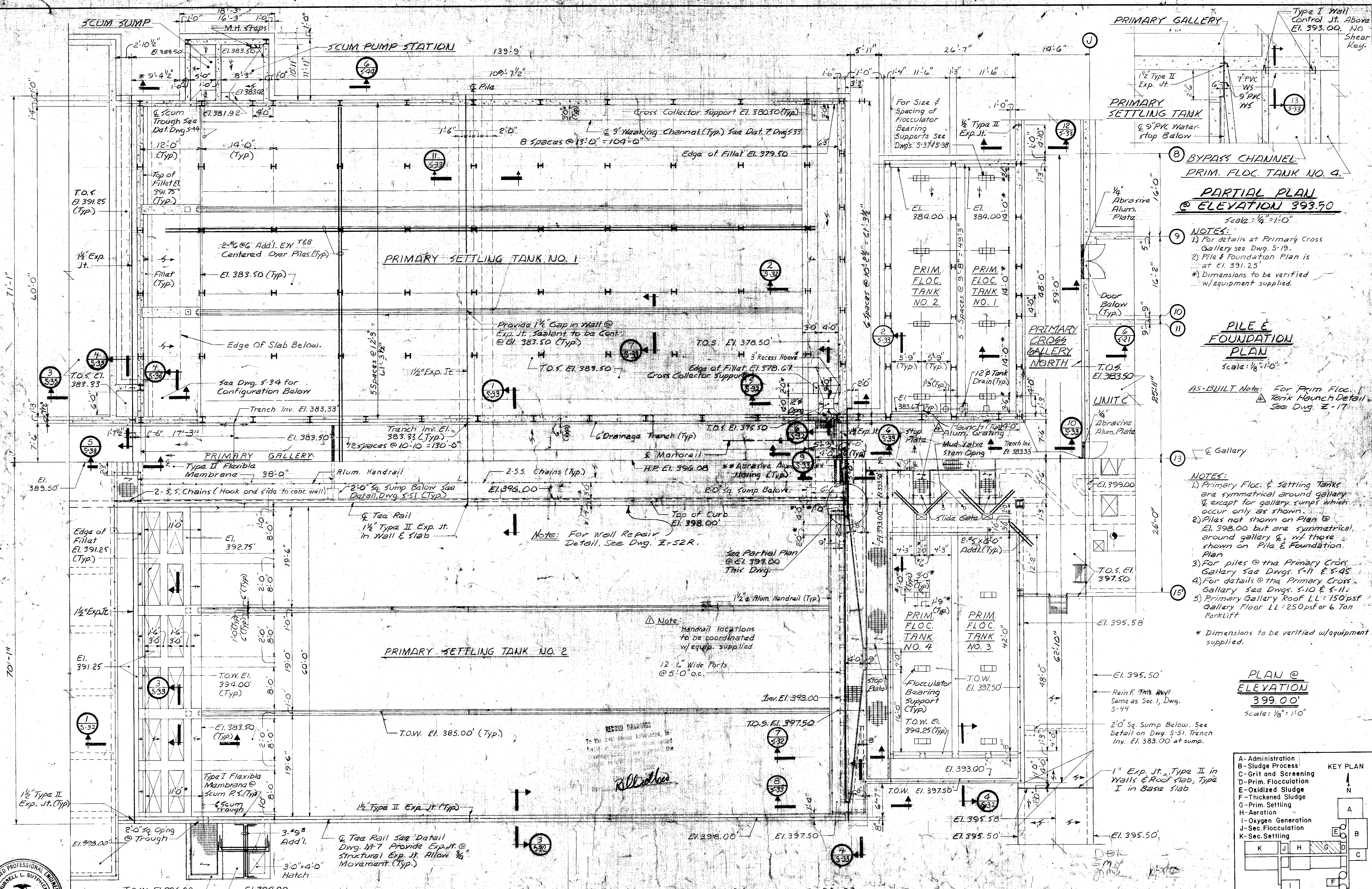


CLAY SANITARY DISTRICT
OAK ORCHARD SERVICE AREA
OAK ORCHARD WATER POLLUTION CONTROL PLANT

STRUCTURAL
ACCESS BUILDINGS
PLANS & SECTIONS

FILE NO. 115,219,185F	S-30
DATE JULY, 1, 1975	

By: B.C. [Signature]



PARTIAL PLAN @ ELEVATION 393.50
Scale: 1/4" = 1'-0"

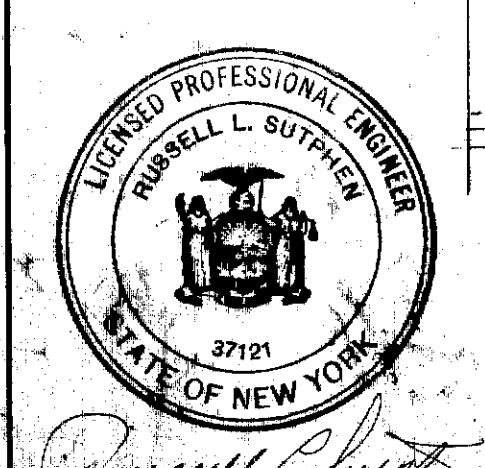
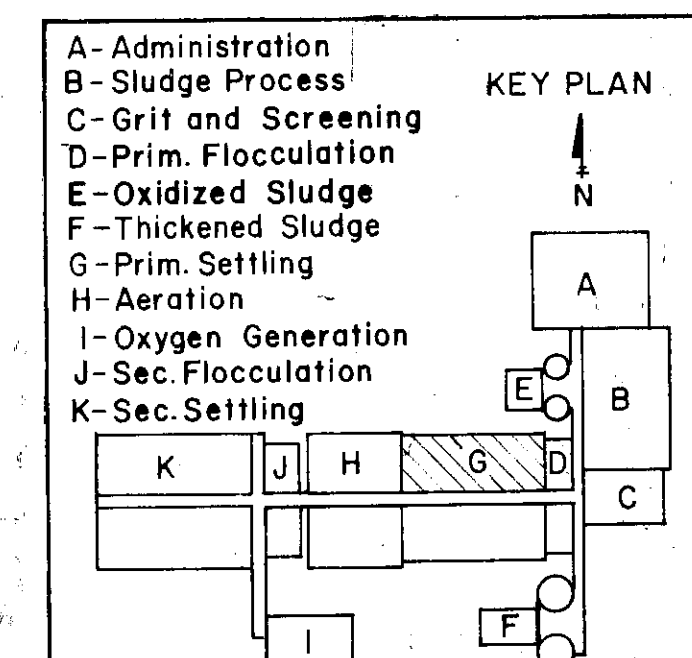
- NOTES:**
- 1) For details at Primary Cross Gallery see Dwg. S-19.
 - 2) Pile & Foundation Plan is at El. 391.25'
 - * Dimensions to be verified w/equipment supplied.

PILE & FOUNDATION PLAN
Scale: 1/8" = 1'-0"

AS-BUILT Note: For Prim. Floc. Tank Hunch Detail See Dwg. Z-17

- NOTES:**
- 1) Primary Floc. & Settling Tanks are symmetrical around gallery & except for gallery sumps which occur only as shown.
 - 2) Piles not shown on Plan @ El. 398.00 but are symmetrical around gallery & w/ those shown on Pile & Foundation Plan.
 - 3) For piles @ the Primary Cross Gallery see Dvgs. S-11 & S-45.
 - 4) For details @ the Primary Cross Gallery see Dvgs. S-10 & S-11.
 - 5) Primary Gallery Roof LL = 150psf Gallery Floor LL = 250psf or 6 Ton Forklift
- * Dimensions to be verified w/equipment supplied.

PLAN @ ELEVATION 399.00'
Scale: 1/8" = 1'-0"



In charge of *[Signature]*

Designed by *[Signature]* Checked by *[Signature]*

Made by *[Signature]*

NO.	DATE	REVISION	INIT.
1	2/1/75	General Revisions	[Signature]
2	2/1/75	General Revisions	[Signature]
3	2/1/75	Handrail Revisions	[Signature]

CLAY SANITARY DISTRICT
OAK ORCHARD SERVICE AREA

OAK ORCHARD WATER POLLUTION CONTROL PLANT

STRUCTURAL
PRIMARY FLOW UNITS
PLANS

FILE NO. 115.219.186F
DATE: JULY 1, 1975
S-31

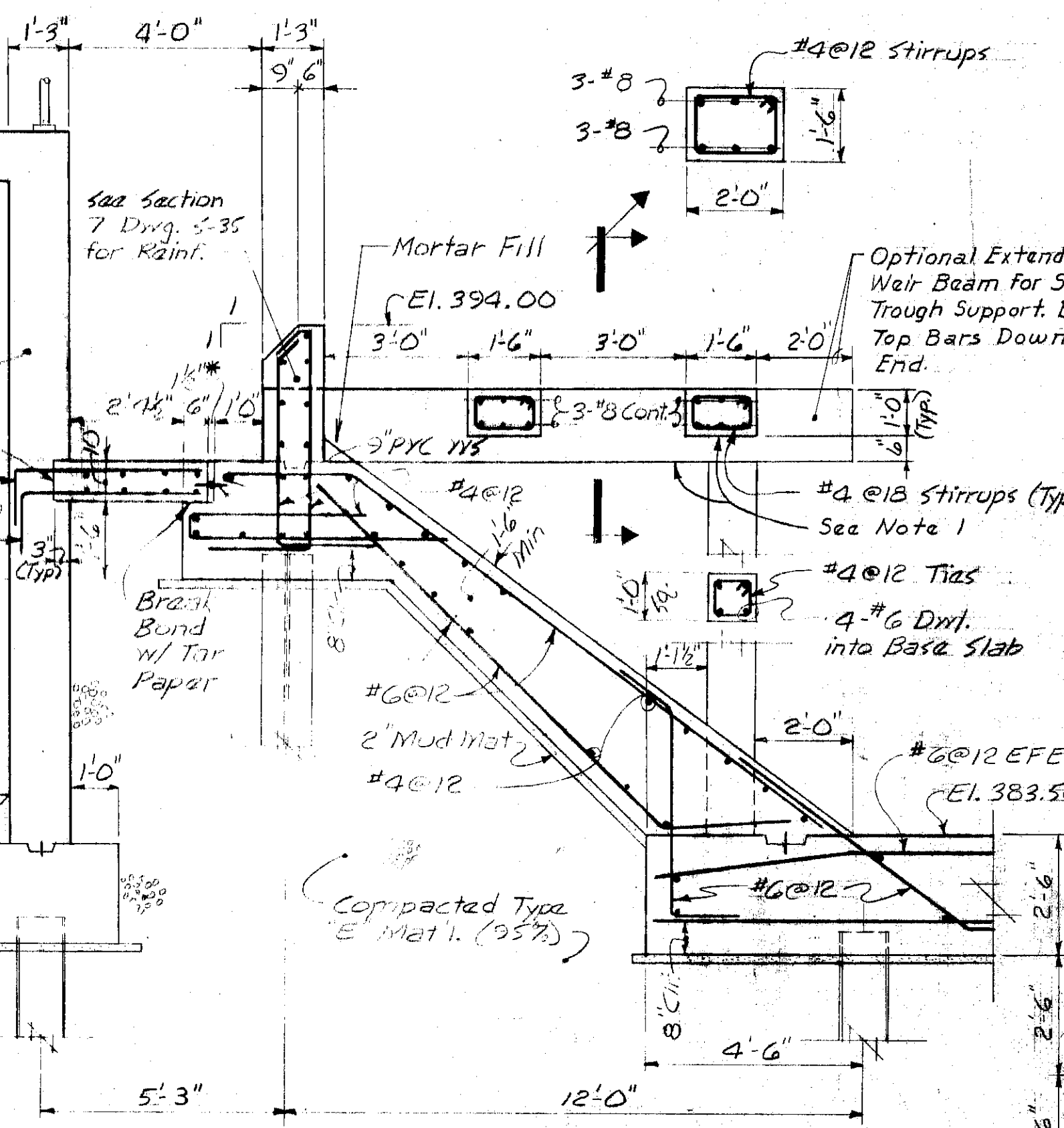
*Exp. Jt. Filler Mat'l
Sponga Rubber Type
w/ Backer Rod &
Sealant

For Reinforcing
See Section 7
Sheet S-35
Apply Bonding
Agent (Typ.)
El. 391.25

**AERATION
TANK**

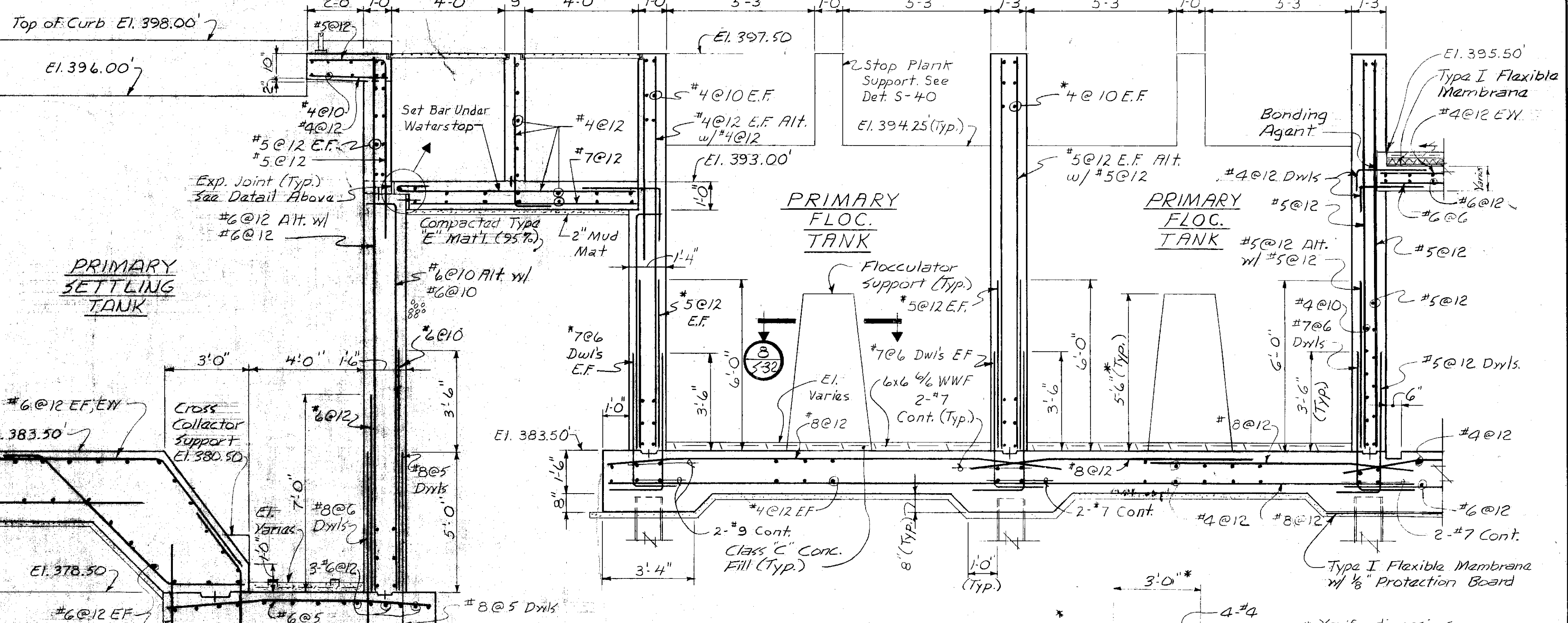
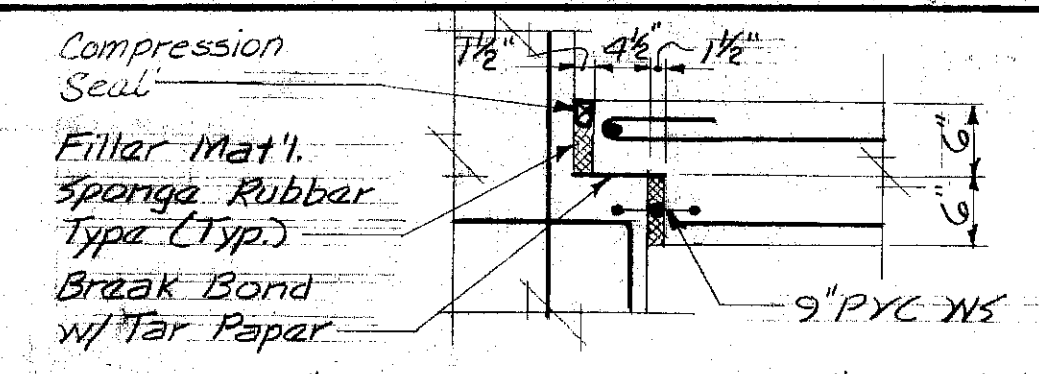
El. 388.00

El. 383.33



SECTION 1
Scale: 3/8"=1'-0"

Note: For Weir Support
Modification, See
Dwg. E-21R.



**PRIMARY
SETTLING
TANK**

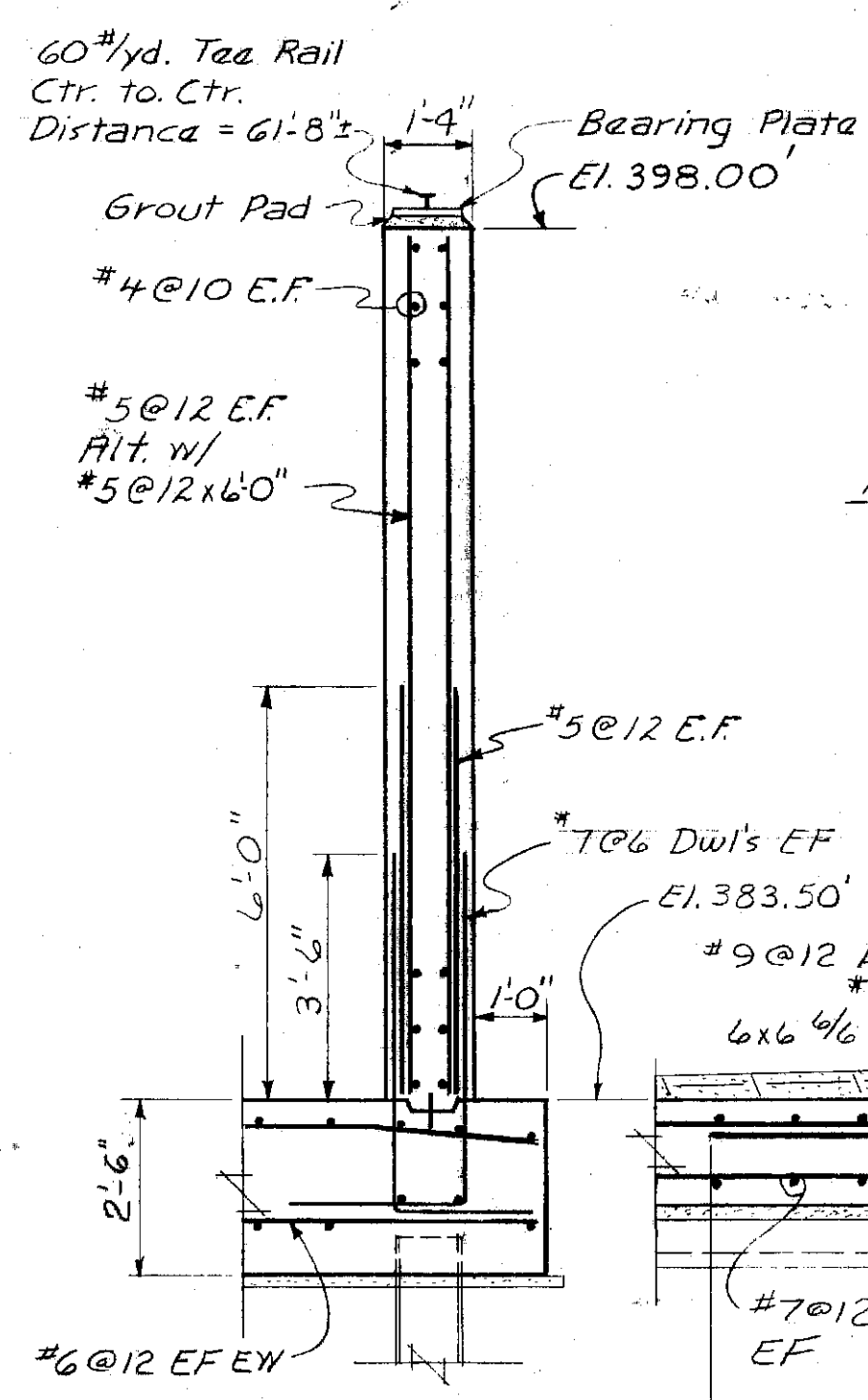
**PRIMARY
FLOC.
TANK**

**PRIMARY
FLOC.
TANK**

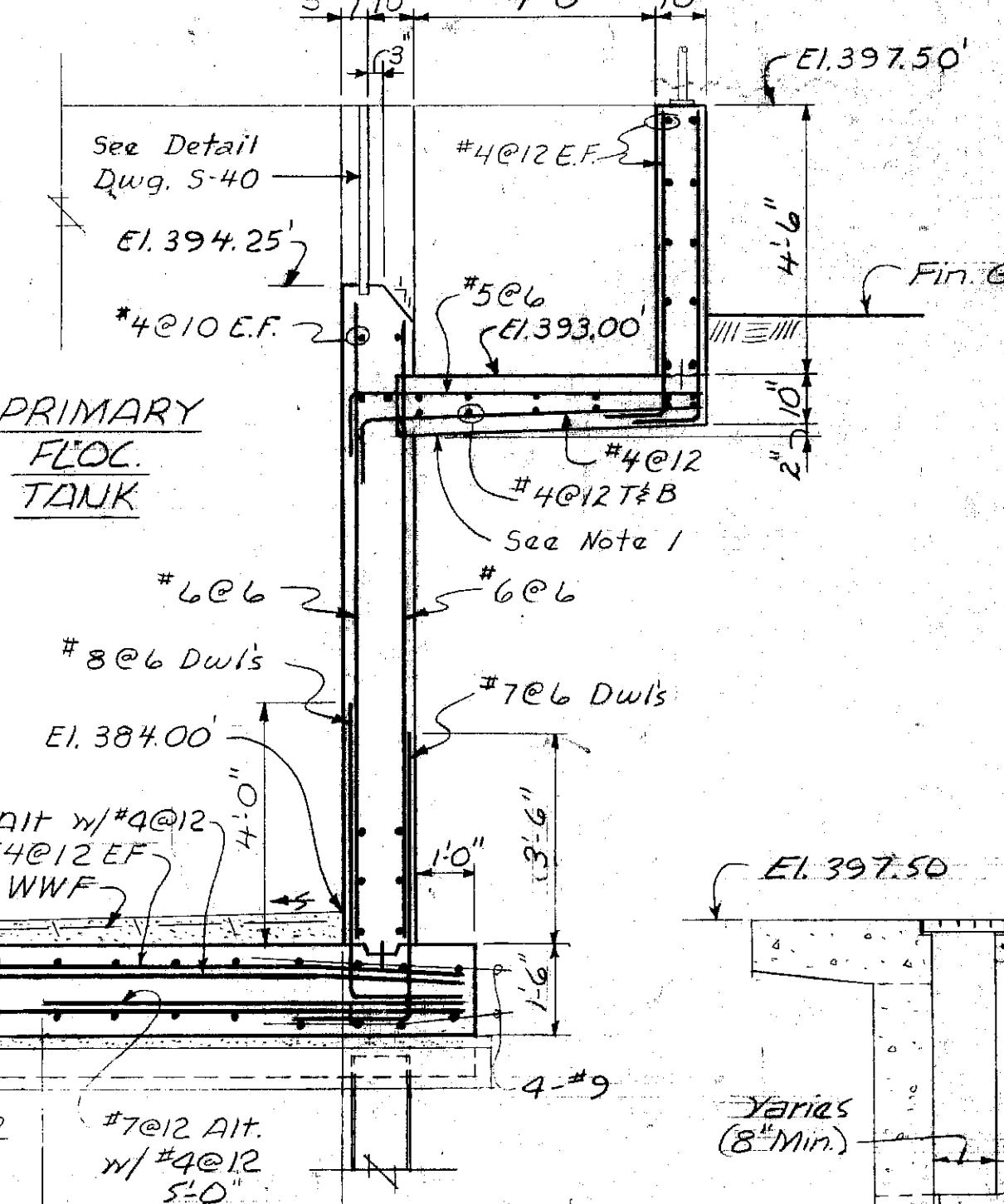
SECTION 2
Scale: 3/8"=1'-0"

SECTION 3
Scale: 3/8"=1'-0"

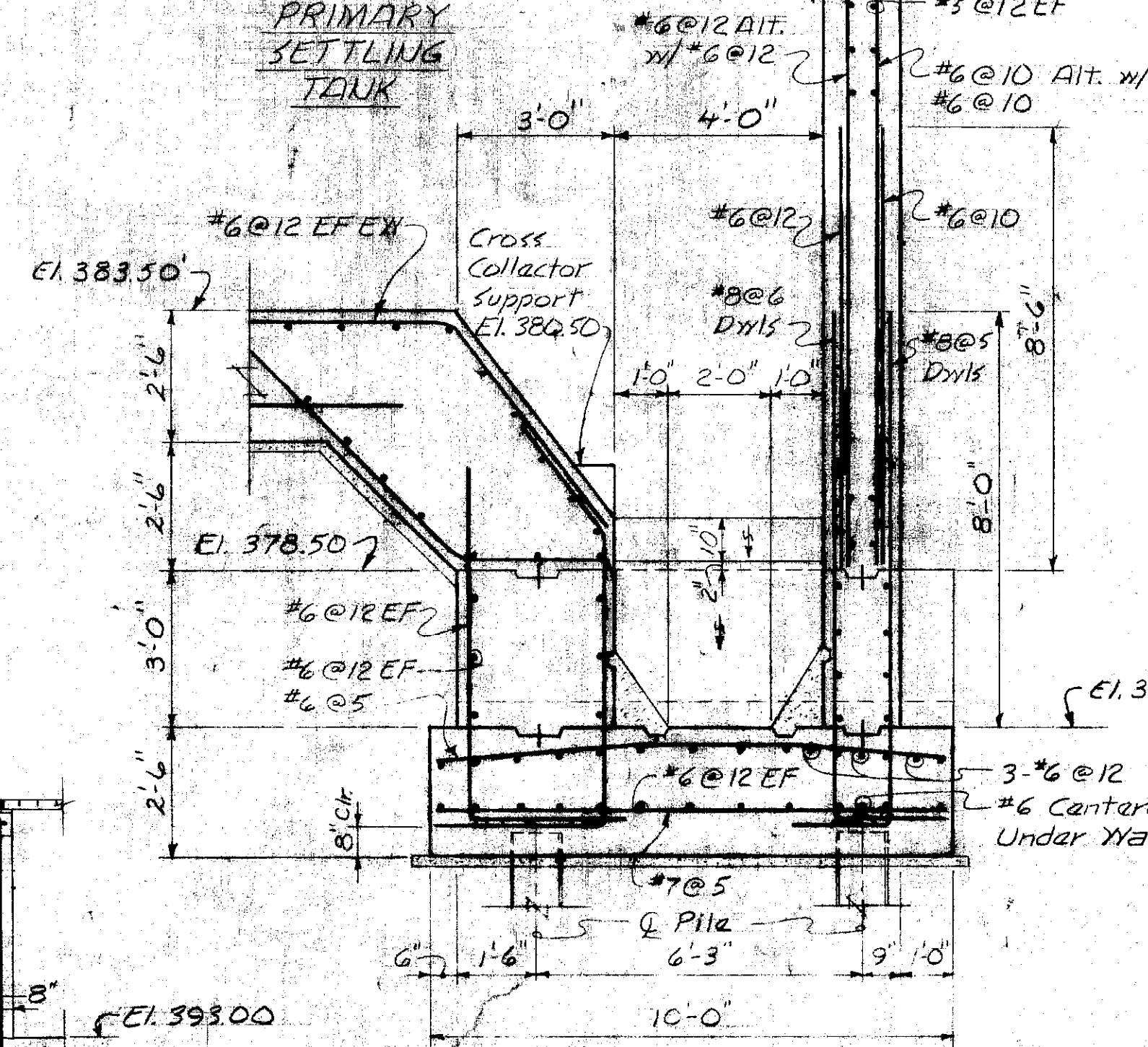
*Verify dimensions
& elevations of
flocculator supports
w/ equip. mfr.



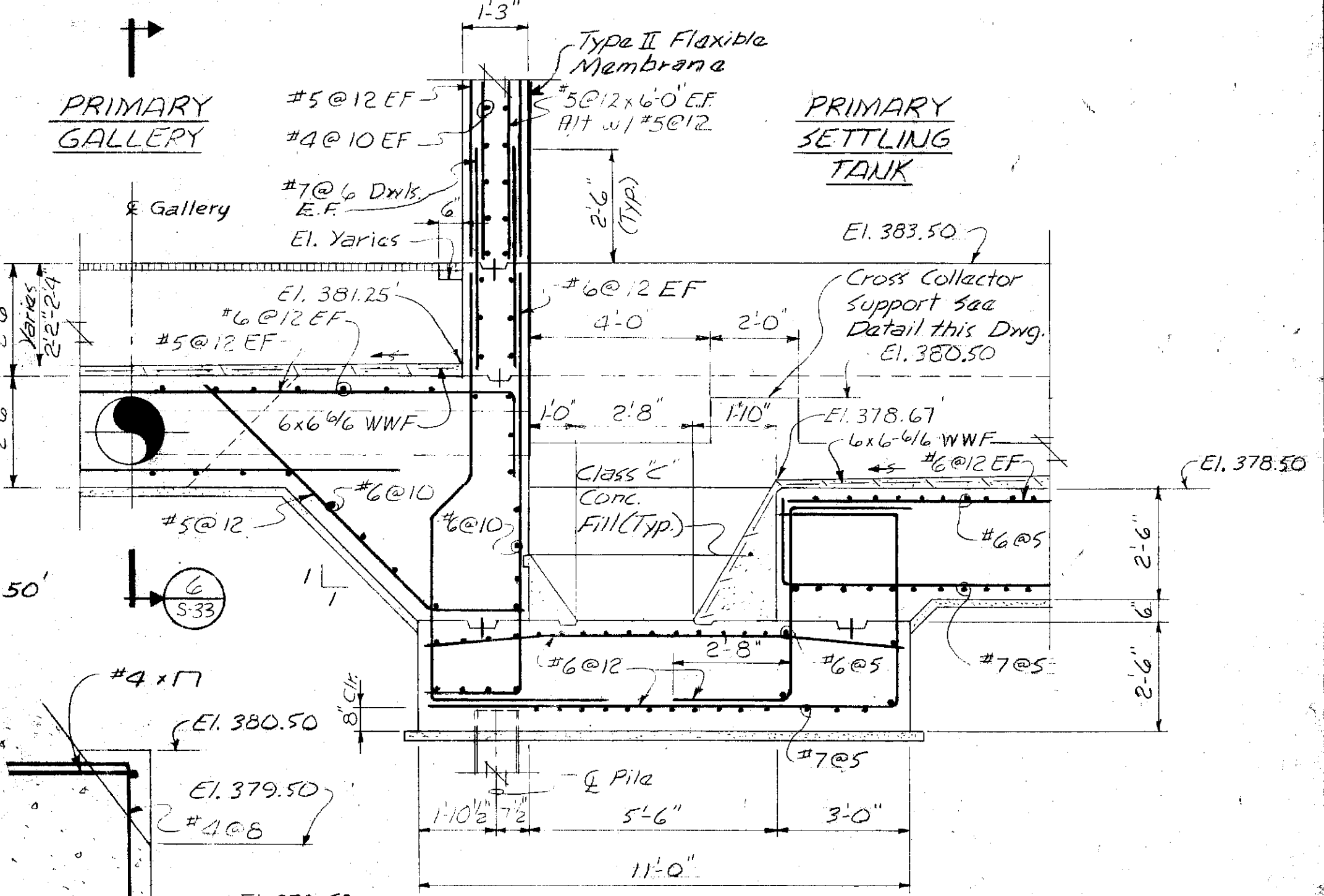
SECTION 3
Scale: 3/8"=1'-0"



SECTION 4
Scale: 3/8"=1'-0"

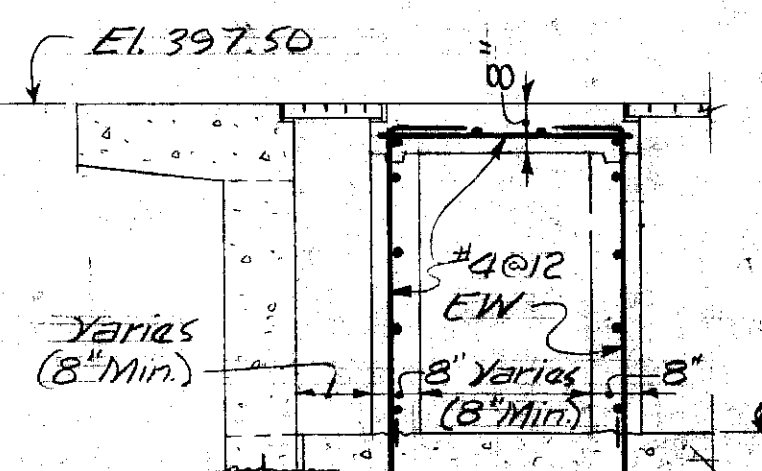


SECTION 5
Scale: 3/8"=1'-0"



SECTION 6
Scale: 3/8"=1'-0"

Note:
1. Forms to remain in place
till concrete reaches
design strength as noted.



SECTION 7
Scale: 3/8"=1'-0"

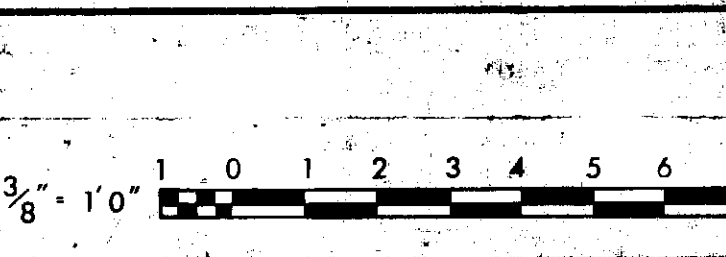
NOTE:
For Reinf. not shown
see Section 2 this Dwg.

**CROSS COLLECTOR
SUPPORT DETAIL**
Not to scale

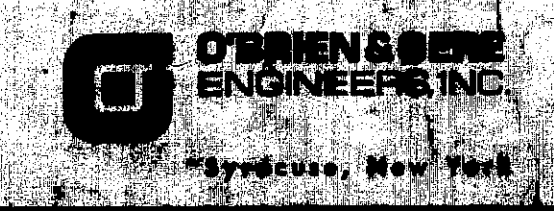
RECORD DRAWINGS
To the best of our knowledge, in-
formation and belief, these record
drawings substantially represent the
project as constructed.
O'BRIEN & GERR
ENGINEERS
By: [Signature]



In charge of Murankale
Designed by Murankale Checked by TMS
Made by RJB, GPK



NO.	DATE	REVISION	INIT.
2/14/78		General Revisions	
5/14/77		General Revisions	

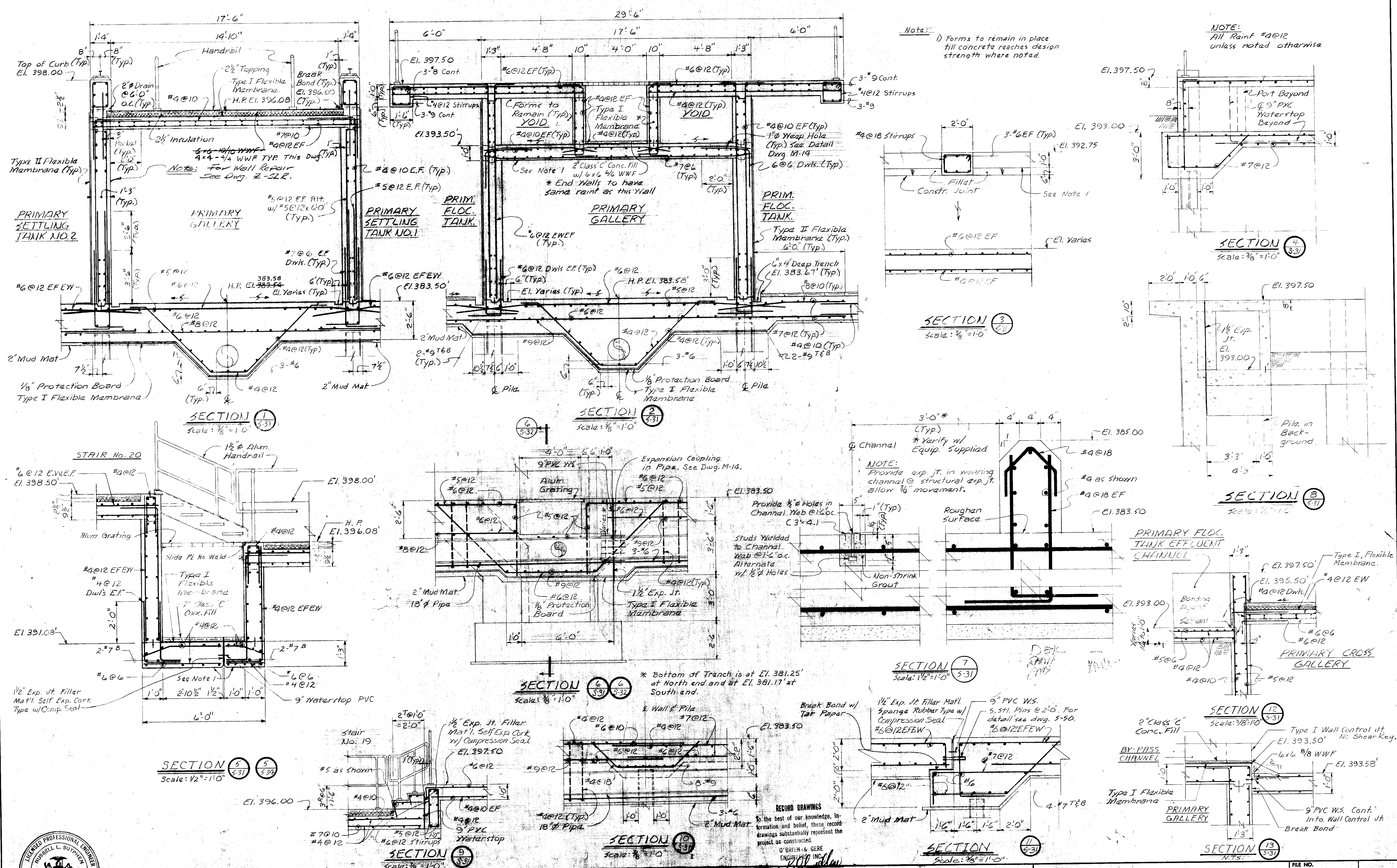


CLAY SANITARY DISTRICT
OAK ORCHARD SERVICE AREA
OAK ORCHARD WATER POLLUTION CONTROL PLANT

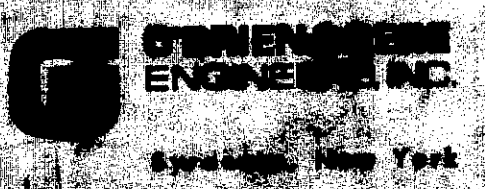
STRUCTURAL
PRIMARY FLOW UNITS
SECTIONS

FILE NO.
115.219.187F
DATE
JULY 1, 1975
S-32

AB



In charge of <i>Umanitaba</i>	NO.	DATE	REVISION	INT.
Designed by <i>J.M.S.K.D.</i> Checked by <i>J.M.S.</i>	1	2/14/78	General Revisions	
Made by <i>R.B. GPX</i>	2	3/4/78	General Revisions	

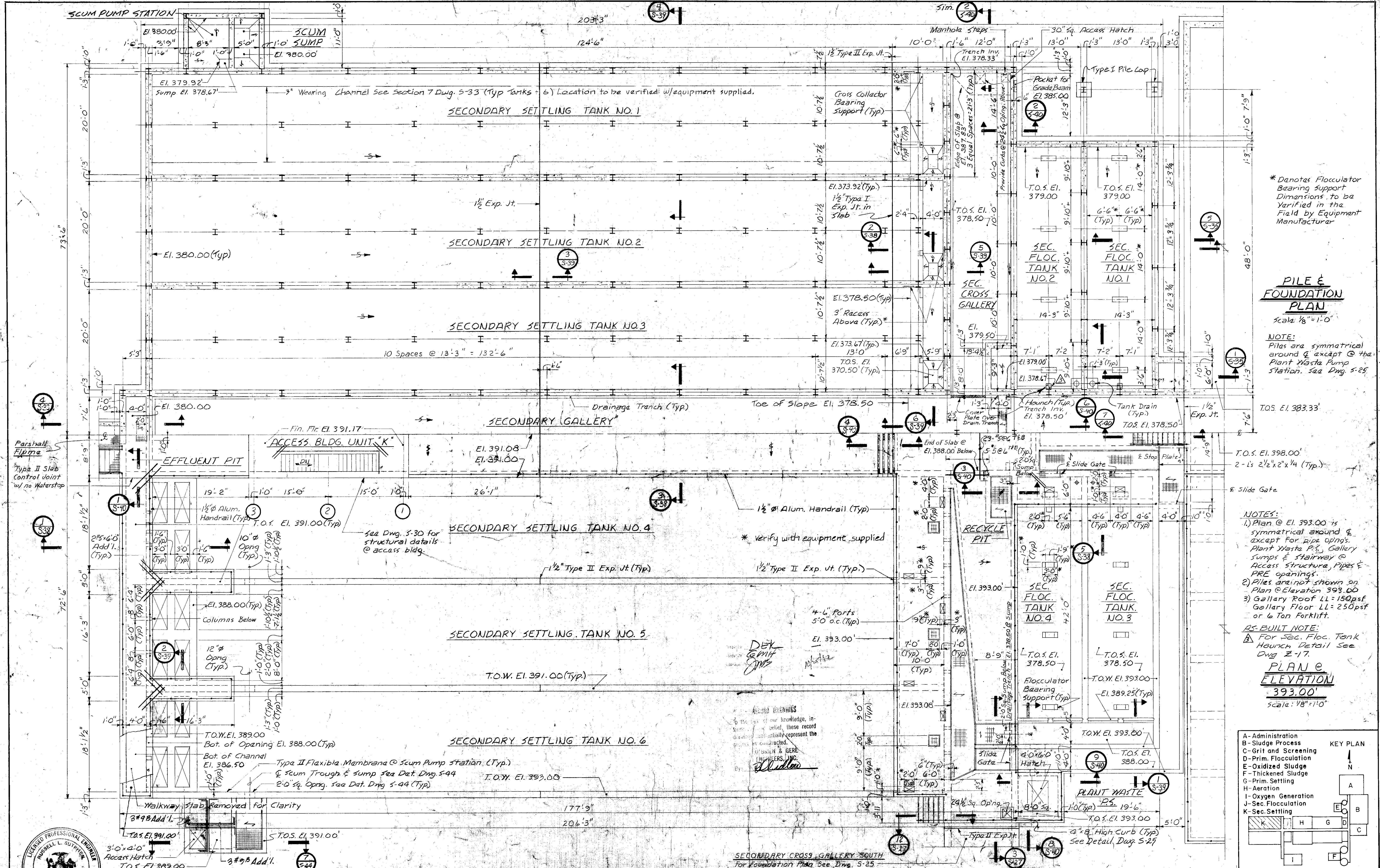


CLAY SANITARY DISTRICT
 OAK ORCHARD SERVICE AREA
 OAK ORCHARD WATER POLLUTION CONTROL PLANT

STRUCTURAL
 PRIMARY FLOW UNITS
 SECTIONS

FILE NO.	115.219.188F
DATE	JULY 1, 1975
	S-33

AR



* Denotes Flocculator Bearing support Dimensions to be Verified in the Field by Equipment Manufacturer

PILE & FOUNDATION PLAN

Scale 1/8" = 1'-0"

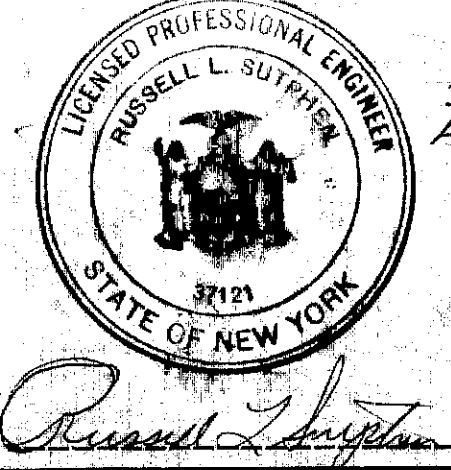
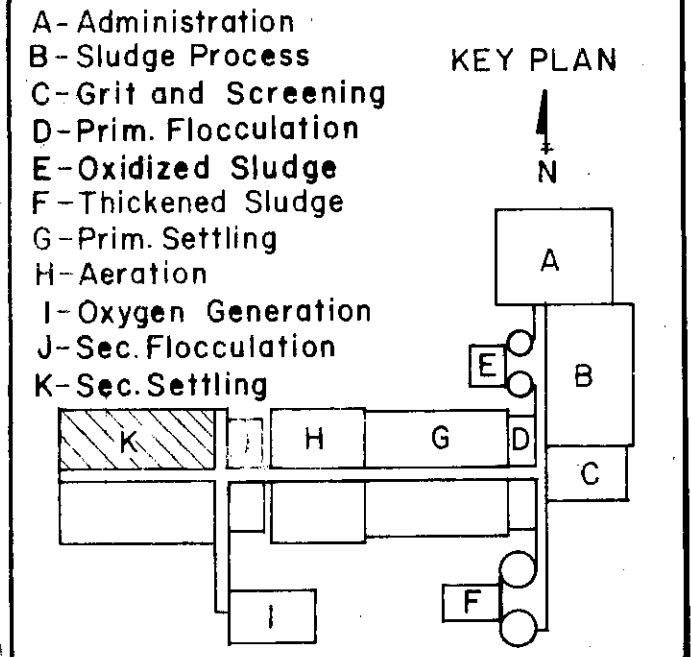
NOTE: Piles are symmetrical around Q except @ the Plant Waste Pump Station. See Dwg. S-25

- NOTES:
- 1) Plan @ El. 393.00 is symmetrical around Q except for pipe openings. Plant Waste P.S., Gallery Sumps & Stairway @ Access Structure, Pipes & PRE openings.
 - 2) Piles are not shown on Plan @ Elevation 393.00
 - 3) Gallery Roof LL = 150psf Gallery Floor LL = 250psf or 6 Ton Forklift.

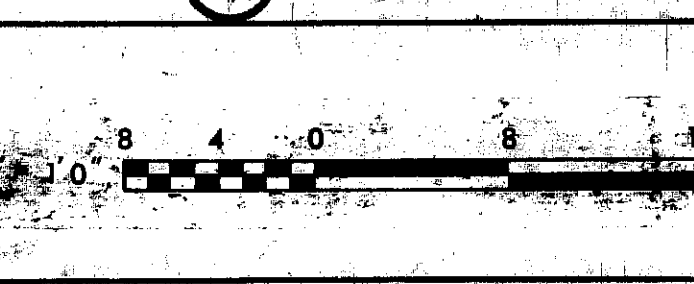
AS-BUILT NOTE:
 ▲ For Sec. Flocc. Tank Haunch Detail see Dwg Z-17.

PLAN @ ELEVATION 393.00'

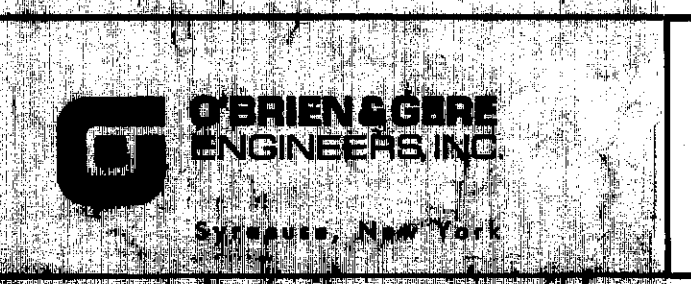
Scale: 1/8" = 1'-0"



In charge of M. K. K. K.
 Designed by J. J. J. J. Checked by J. J. J. J.
 Made by J. J. J. J.



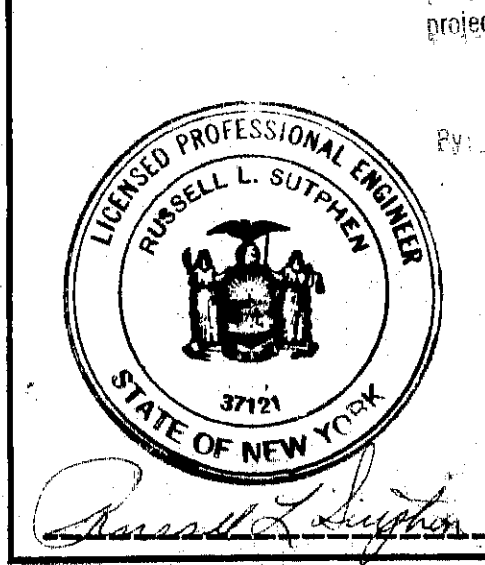
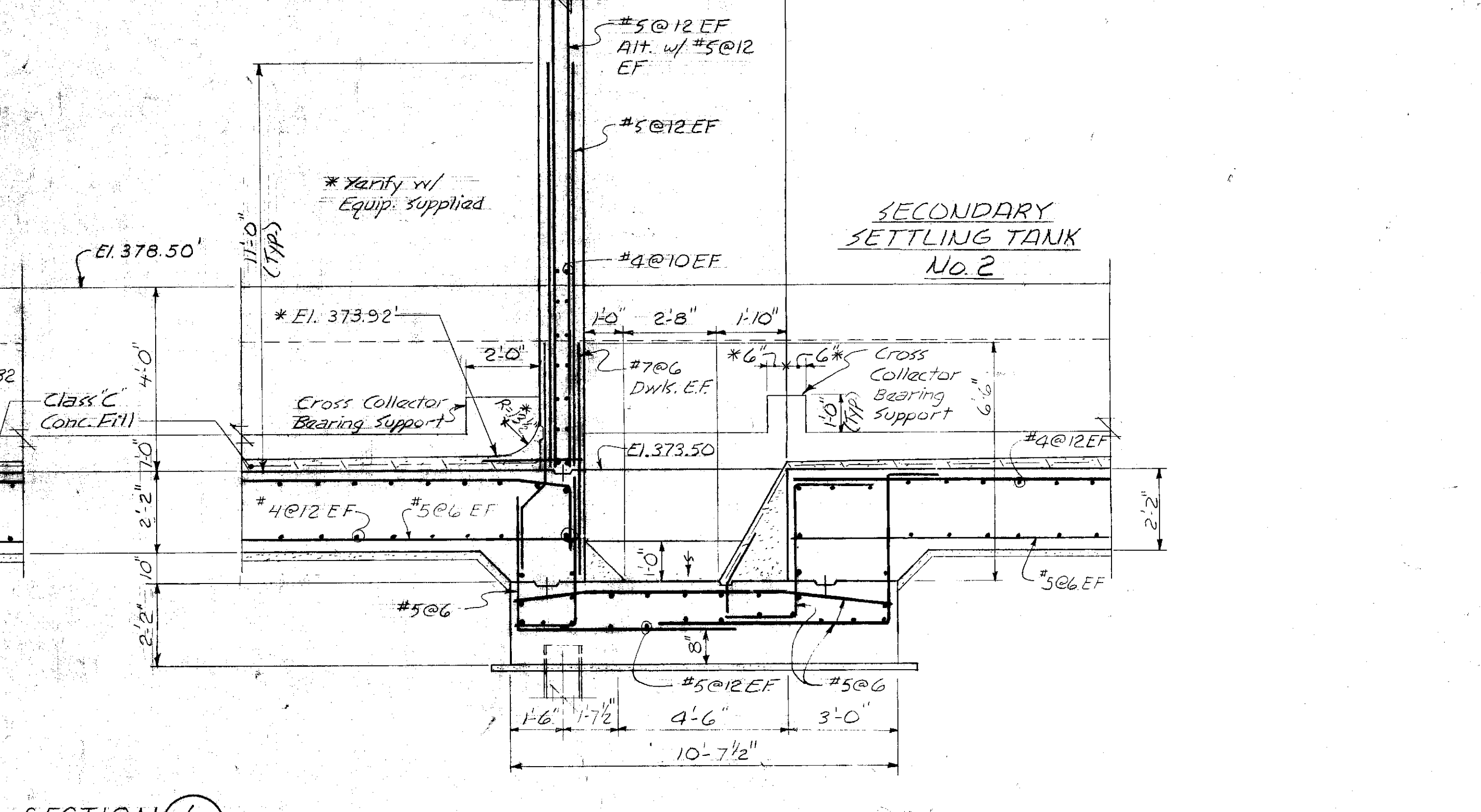
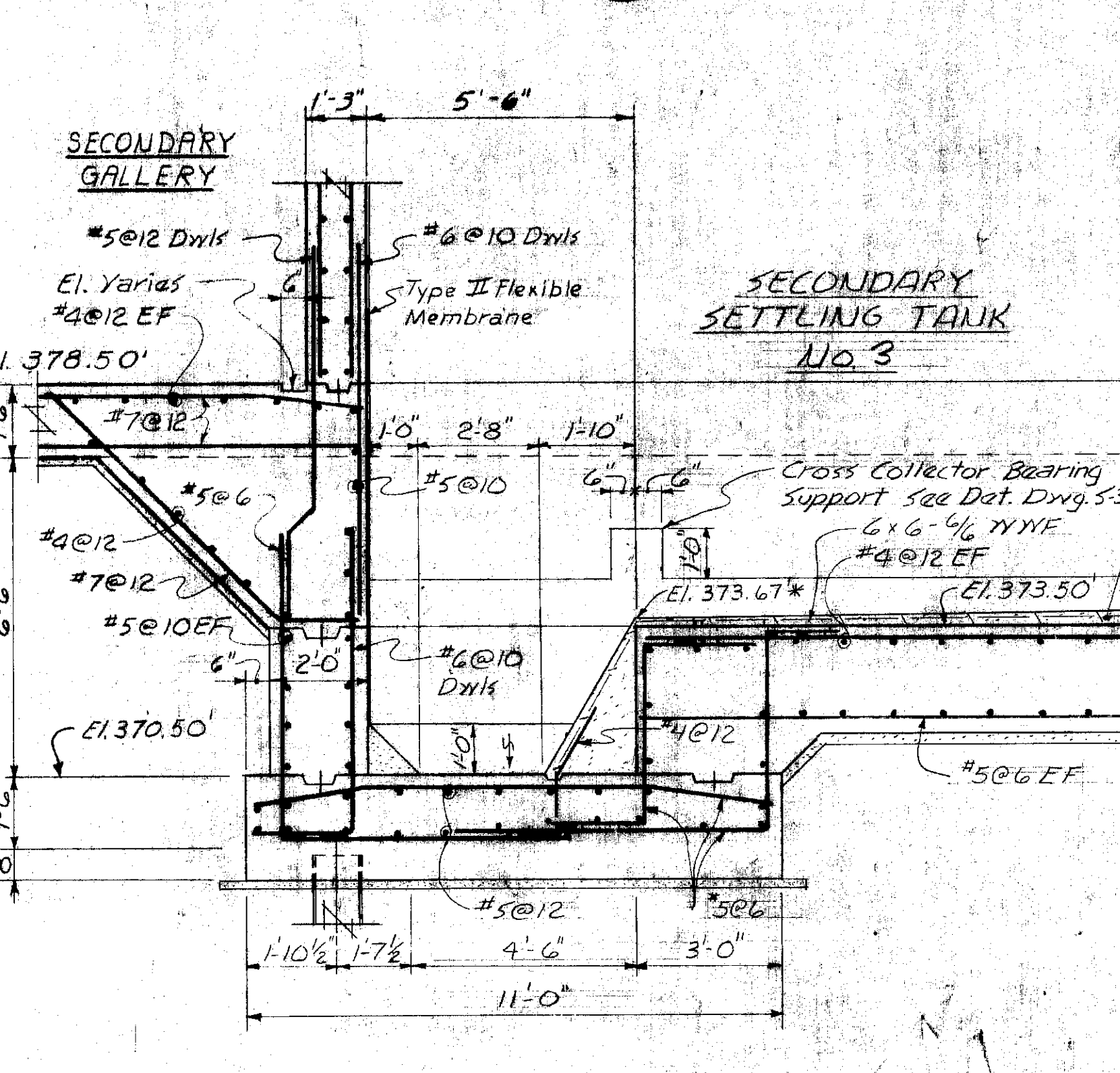
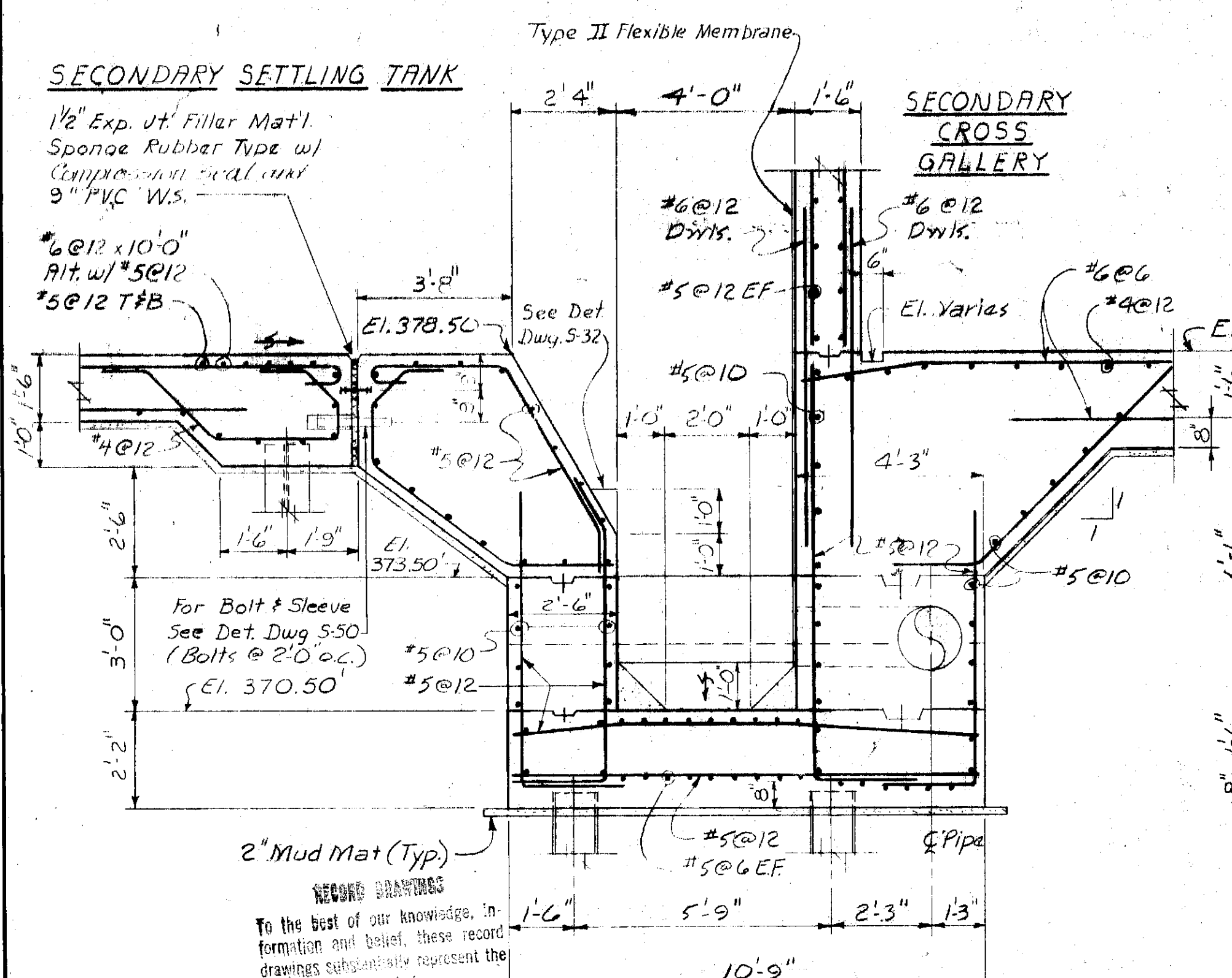
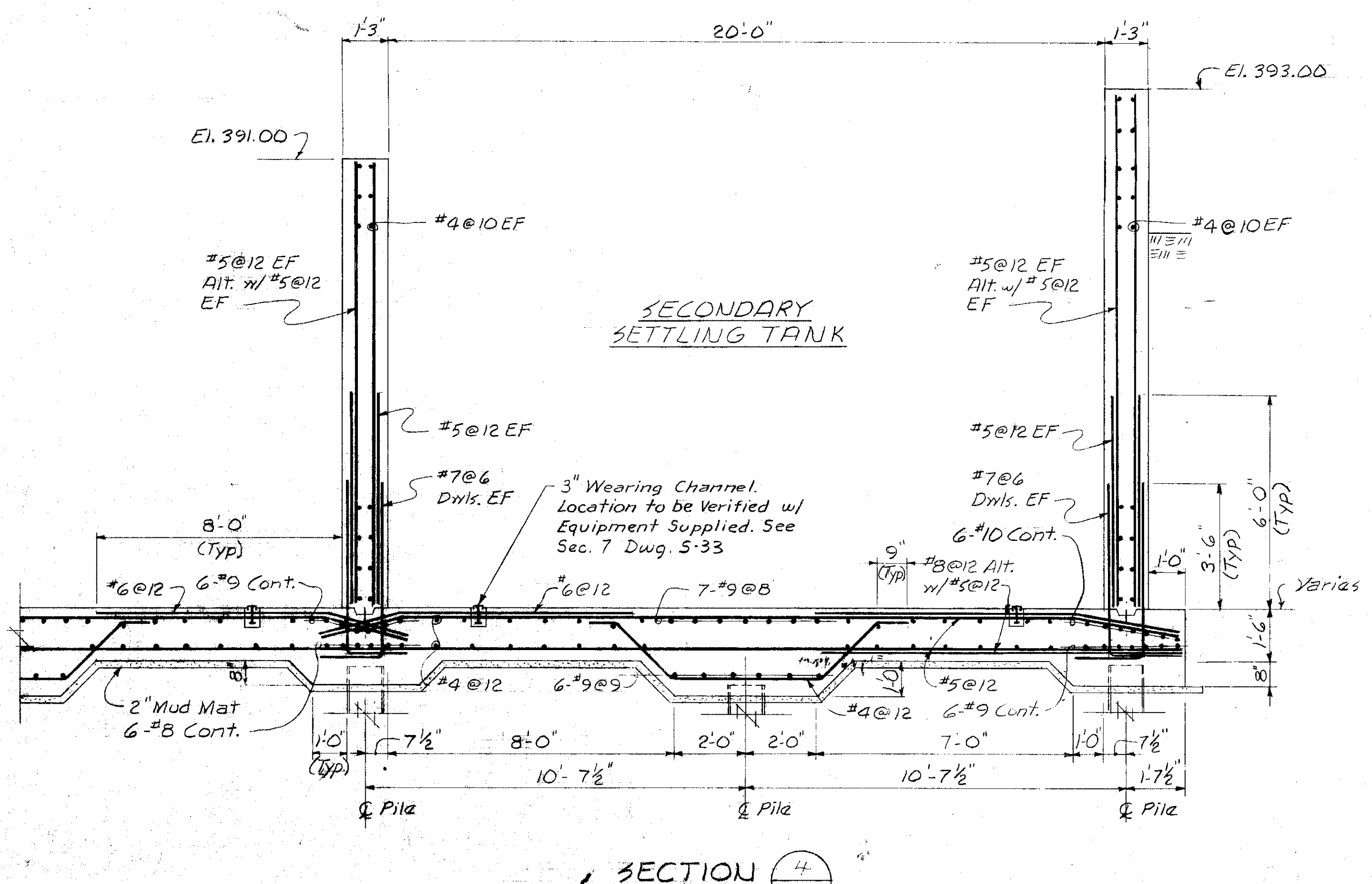
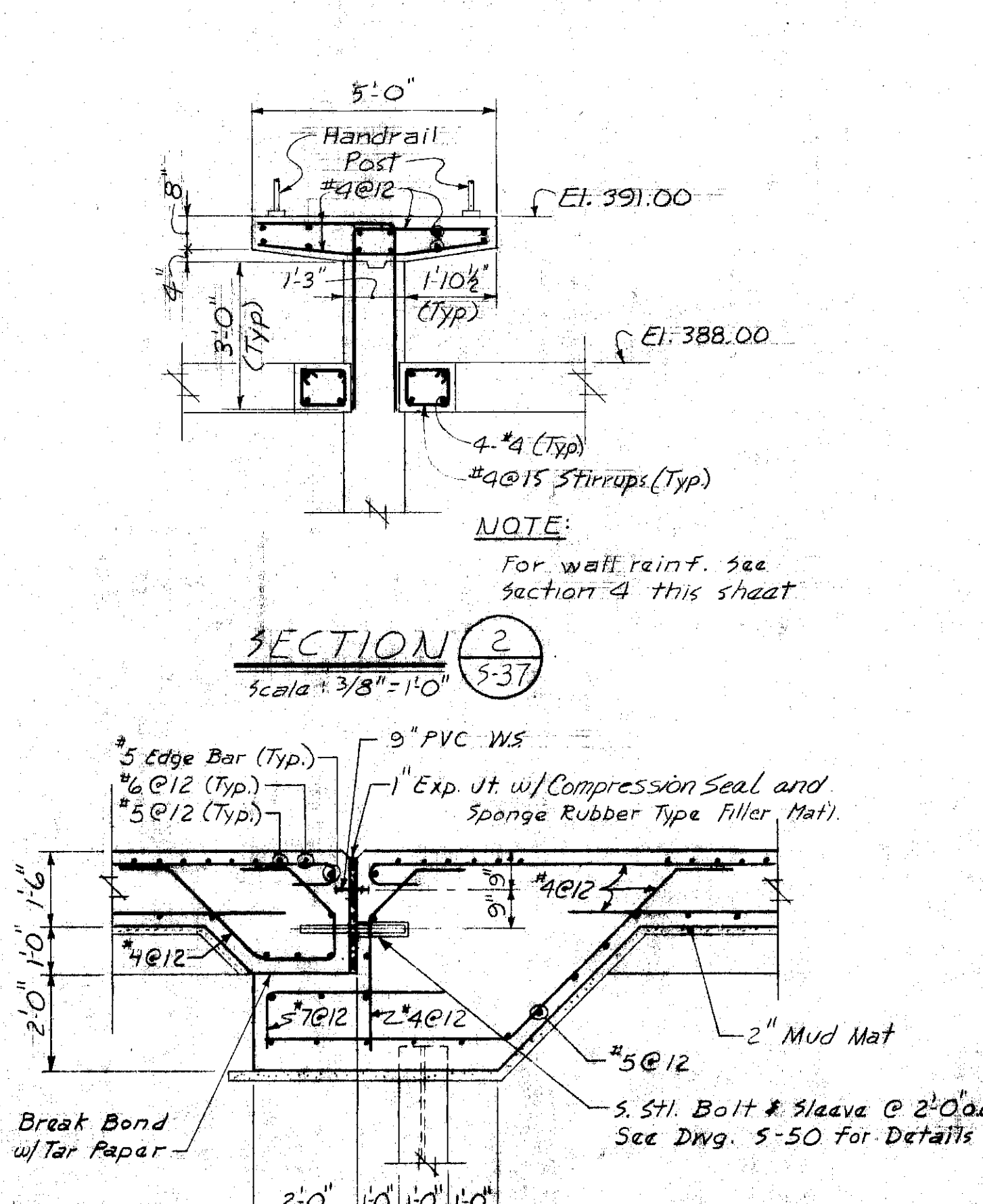
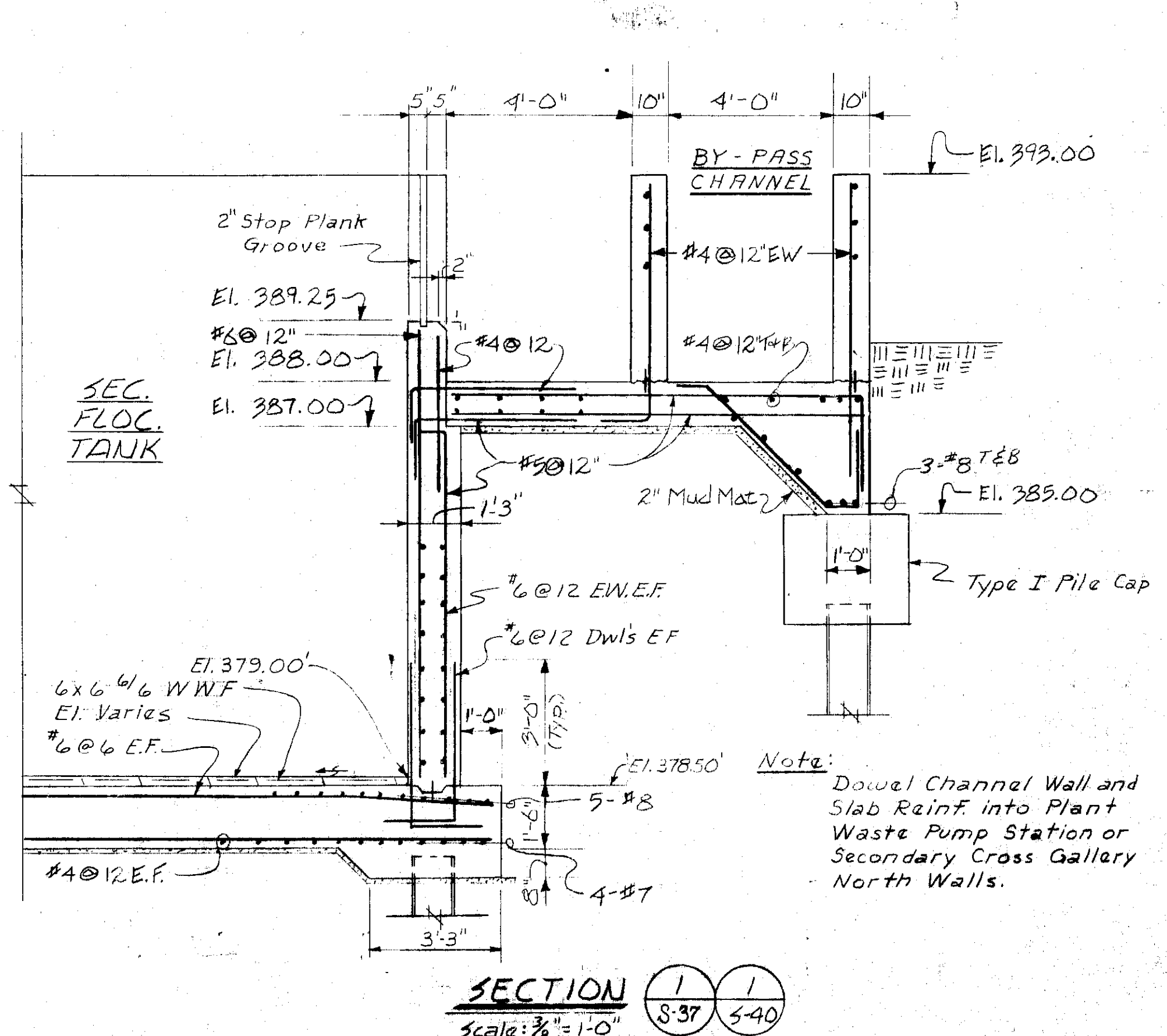
NO.	DATE	REVISION	INT.
1	2/19/78	General Revisions	
2	2/24/78	General Revisions	



CLAY SANITARY DISTRICT
 OAK ORCHARD SERVICE AREA
 OAK ORCHARD WATER POLLUTION CONTROL PLANT

STRUCTURAL
 SECONDARY FLOW UNITS
PLANS

FILE NO.
 115.219.192F
 DATE
 JULY 1, 1975
S-37



In charge of Mananikata
Designed by AMJ Checked by TMS
Made by RUE, GPX

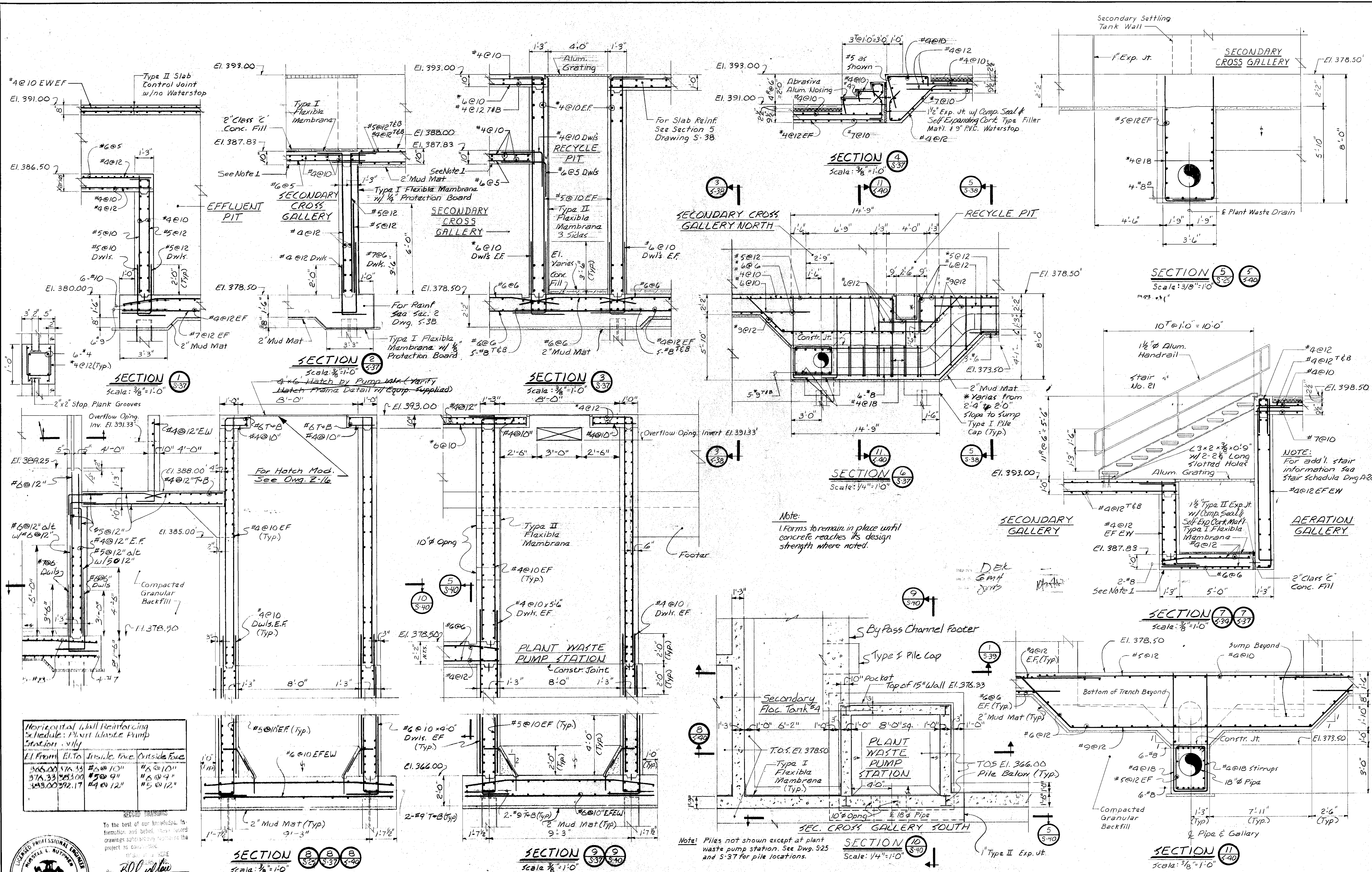
NO.	DATE	REVISION	INIT.
1			
2			
3			
4			
5			
6			
7			

O'BRIEN & GERE
ENGINEERS, INC.
Syracuse, New York

CLAY SANITARY DISTRICT
OAK ORCHARD SERVICE AREA
OAK ORCHARD WATER POLLUTION CONTROL PLANT

STRUCTURAL
SECONDARY FLOW UNITS
SECTIONS

FILE NO. 115.219.194F
DATE JULY 1, 1975
S-39



Horizontal Wall Reinforcing Schedule: Plant Waste Pump Station	El. From	El. To	Inside Face	Outside Face
	366.00	376.33	#5 @ 10"	#4 @ 10"
	376.33	383.00	#5 @ 9"	#5 @ 9"
	383.00	392.17	#4 @ 12"	#5 @ 12"

To the best of our knowledge, information and belief, these drawings represent only the project as constructed.

By: *[Signature]*

Made by: *[Signature]*



NO.	DATE	REVISION	INIT.
21478		General Revisions	
21477		General Revisions	

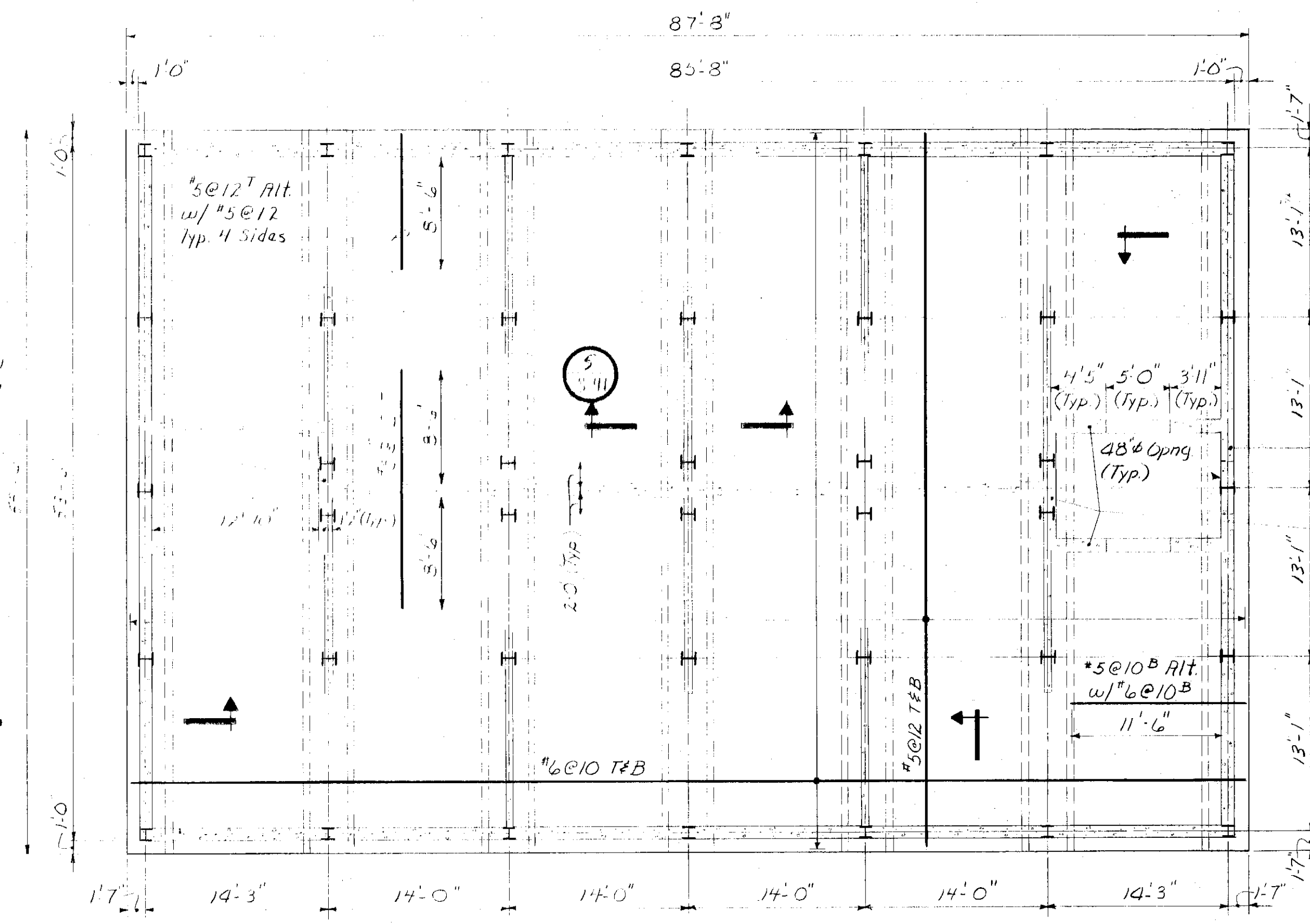
O'BRIEN & GERE ENGINEERS, INC.
Syracuse, New York

CLAY SANITARY DISTRICT
OAK ORCHARD SERVICE AREA
OAK ORCHARD WATER POLLUTION CONTROL PLANT

STRUCTURAL
SECONDARY FLOW UNITS
SECTIONS

FILE NO. 115.219.195F
DATE JULY 1, 1975
S-40

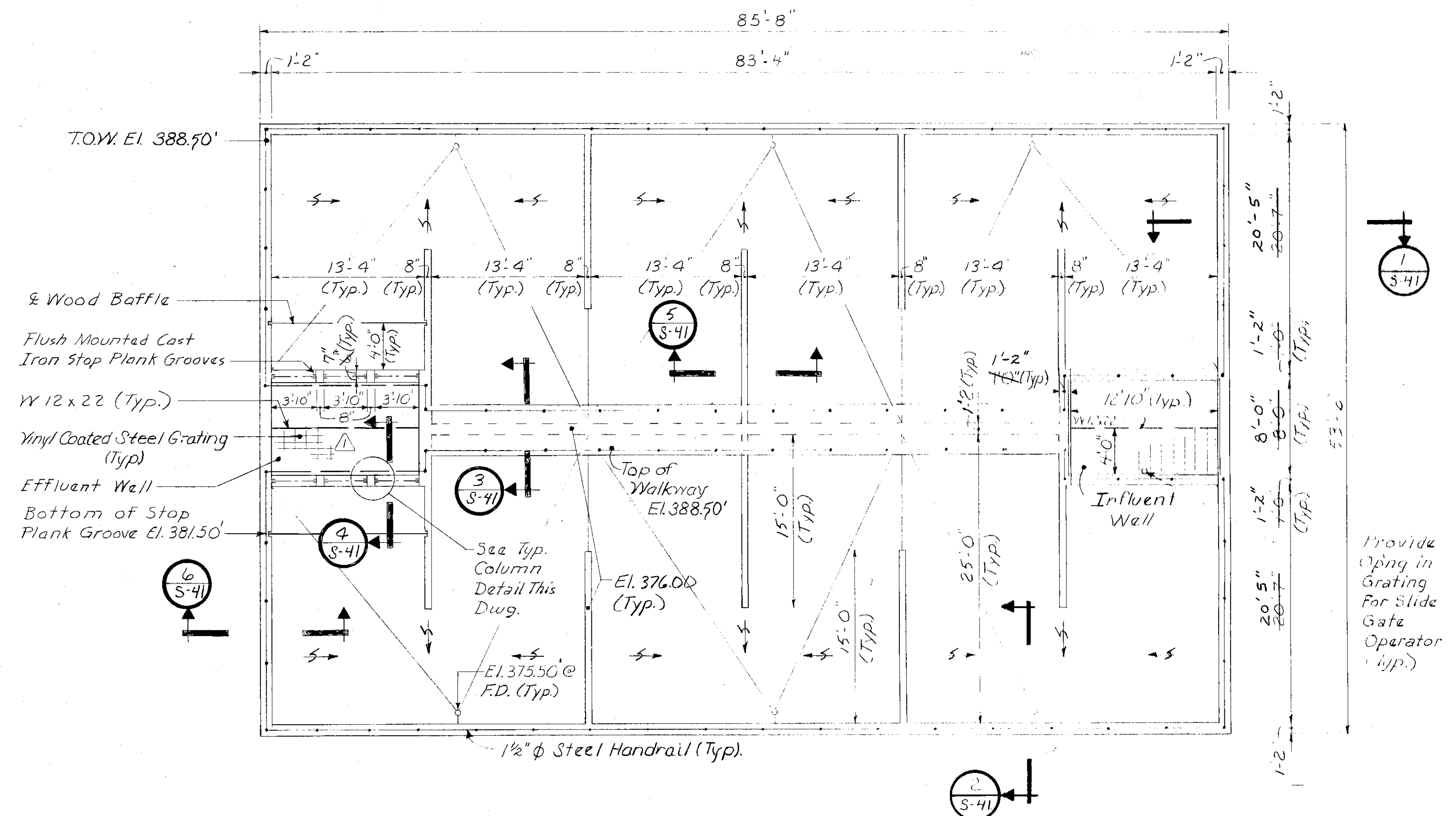
See Section 4 This Dwg For Wall Reinforcing



FOUNDATION PLAN (S-41)

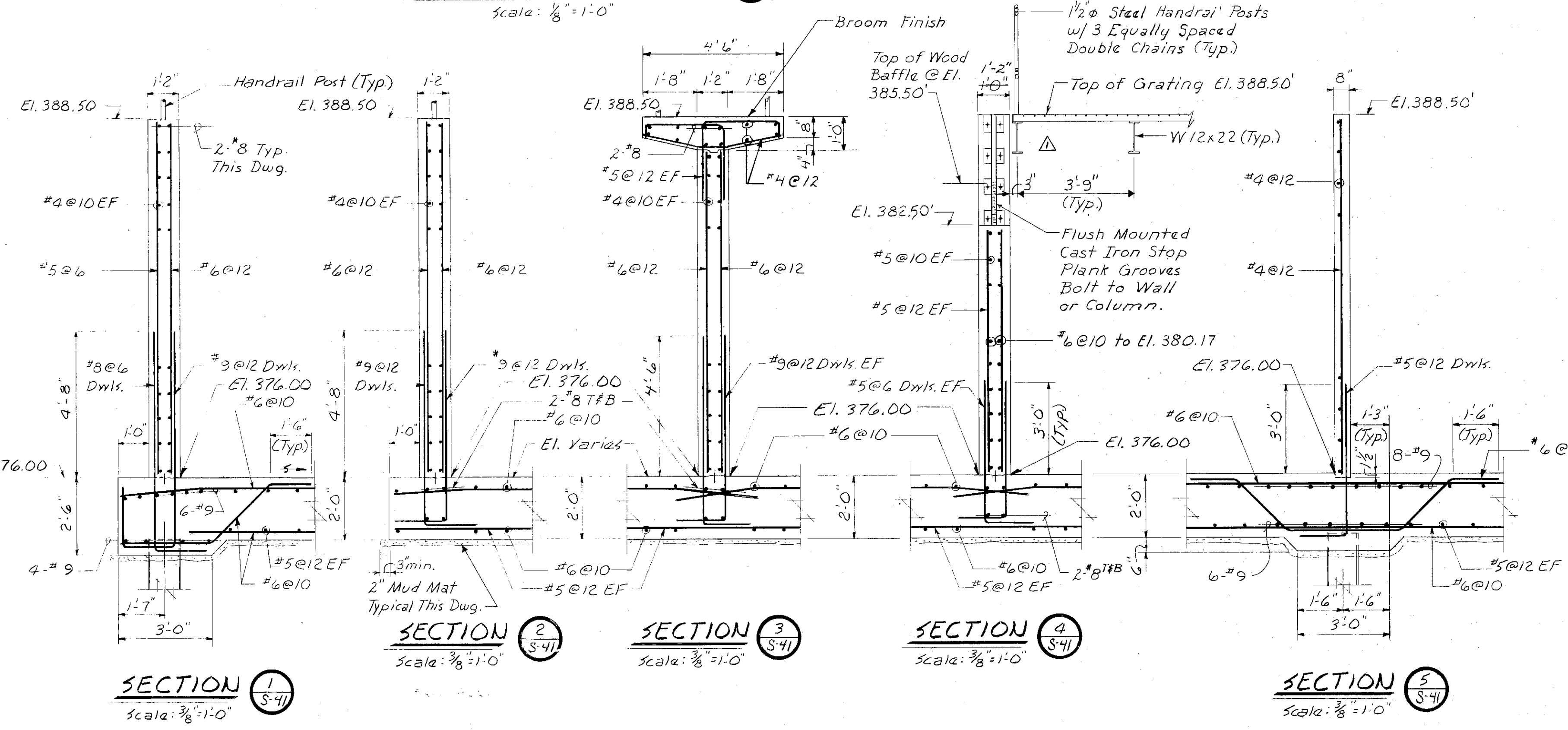
Scale: 1/8" = 1'-0"

For Horizontal Reinforcing In Wall @ Influent & Effluent Walls See Sec. 4 This Dwg. For Wall Reinforcing.

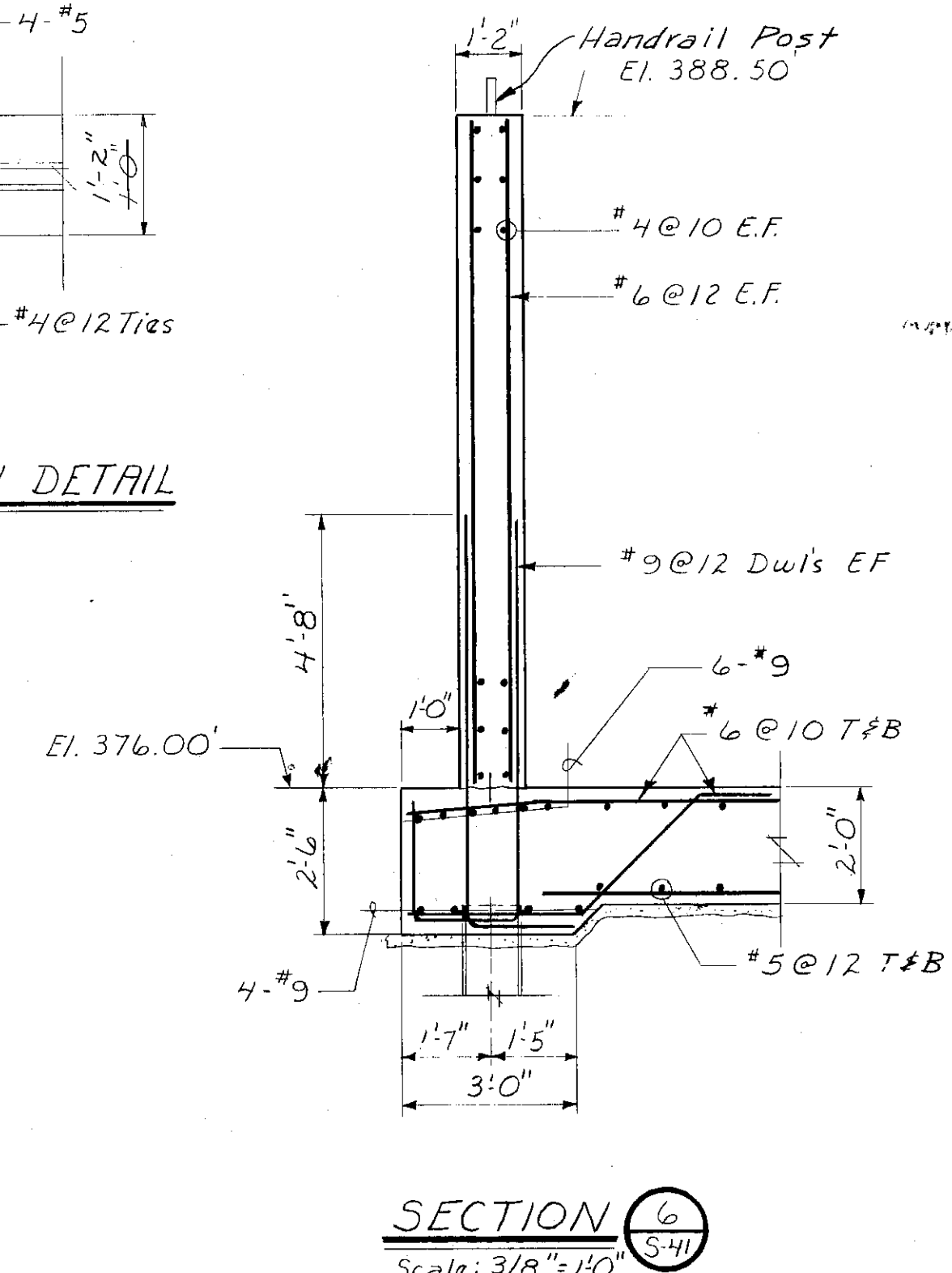


PLAN @ ELEVATION 388.50

Scale: 1/8" = 1'-0"

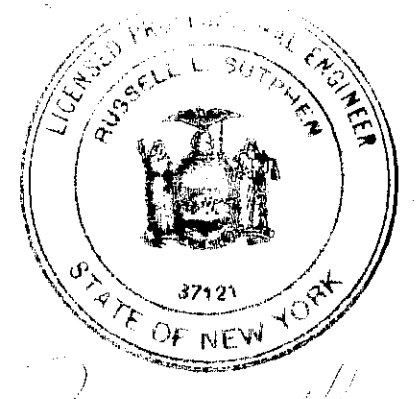


TYP. COLUMN DETAIL
N.T.S.

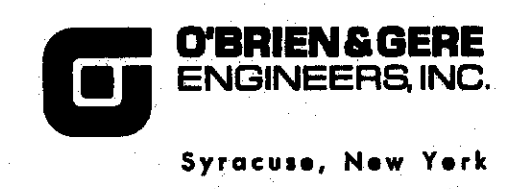


SECTION 6
Scale: 3/8" = 1'-0"

Note: For Additional Slab Reinf. @ Walls See Foundation Plan Above.



In charge of <i>[Signature]</i>	NO.	DATE	REVISION	INIT.
Designed by <i>IMS</i> Checked by <i>IMS</i>	1	2/14/78	General Revisions	<i>[Signature]</i>
Made by <i>GPK</i>	2	5/14/77	General Revisions	<i>[Signature]</i>
	3	4/13/78	ADDED BAFFLES & DETAILS	<i>[Signature]</i>

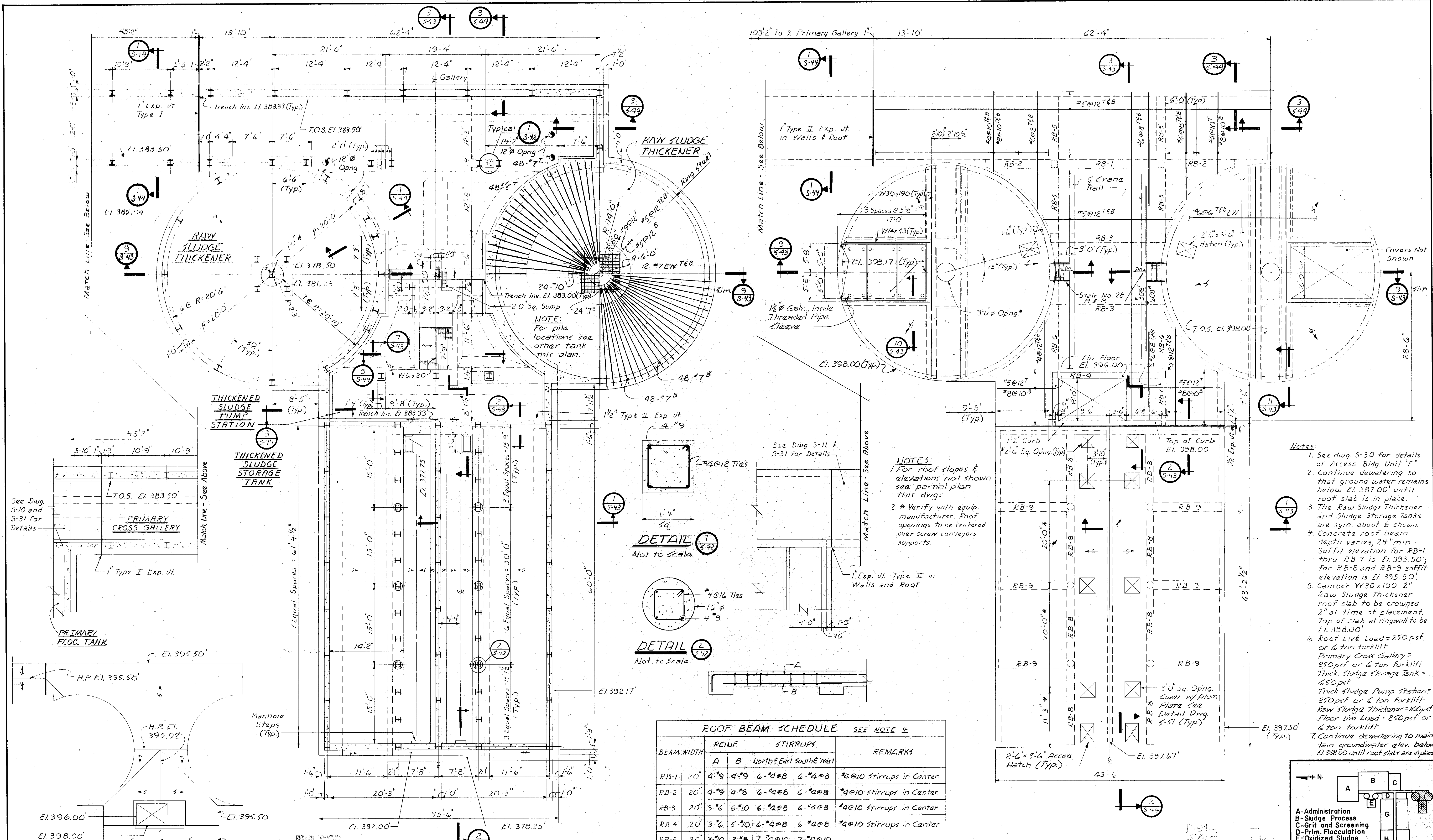


CLAY SANITARY DISTRICT
OAK ORCHARD SERVICE AREA
OAK ORCHARD WATER POLLUTION CONTROL PLANT

STRUCTURAL
CHLORINE CONTACT TANK
PLANS & SECTIONS

FILE NO. 115.219.196F	S-41
DATE JULY 1, 1975	

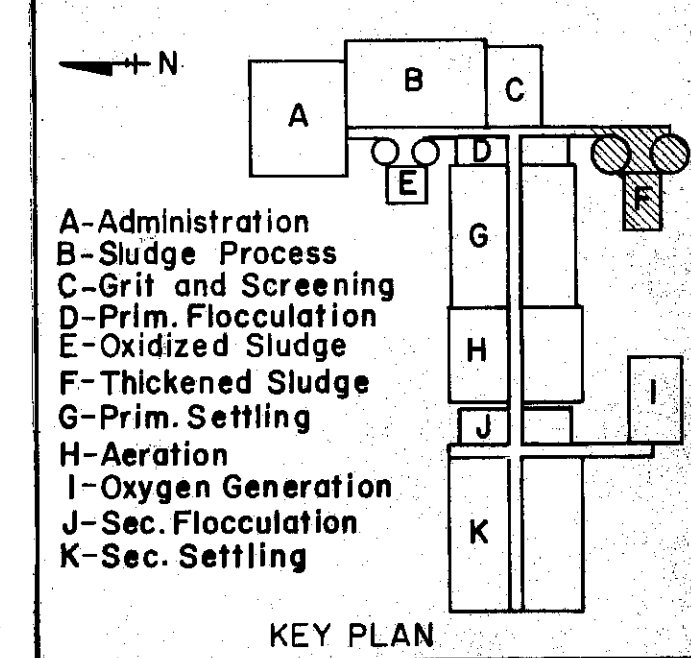
300 *[Signature]*



- Notes:**
- See dwg. S-30 for details of Access Bldg. Unit 'F'
 - Continue dewatering so that ground water remains below El. 387.00' until roof slab is in place.
 - The Raw Sludge Thickener and Sludge Storage Tanks are sym. about E shown.
 - Concrete roof beam depth varies, 24" min. Soffit elevation for RB-1 thru RB-7 is El. 393.50'; for RB-8 and RB-9 soffit elevation is El. 395.50'.
 - Camber W30x190 2". Raw Sludge Thickener roof slab to be crowned 2" at time of placement. Top of slab at ringwall to be El. 398.00'
 - Roof Live Load = 250psf or 6 ton forklift
Primary Cross Gallery = 250psf or 6 ton forklift
Thick. Sludge Storage Tank = 650psf
Thick Sludge Pump Station = 250psf or 6 ton forklift
Raw Sludge Thickener = 100psf
Floor live Load = 250psf or 6 ton forklift
 - Continue dewatering to maintain groundwater elev. below El. 388.00' until roof slabs are in place.

ROOF BEAM SCHEDULE SEE NOTE #4

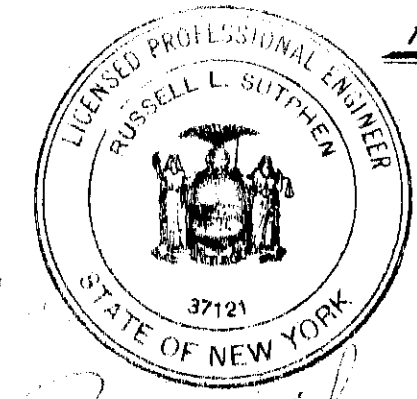
BEAM WIDTH	REINF.		STIRRUPS		REMARKS
	A	B	North & East	South & West	
RB-1	20"	4*9 4*9	6*4e8	6*4e8	*4e10 stirrups in Center
RB-2	20"	4*9 4*8	6*4e8	6*4e8	*4e10 stirrups in Center
RB-3	20"	3*6 6*10	6*4e8	6*4e8	*4e10 stirrups in Center
RB-4	20"	3*6 5*10	6*4e8	6*4e8	*4e10 stirrups in Center
RB-5	20"	3*10 3*8	7*4e10	7*4e10	
RB-6	20"	3*9 3*9	*4e10	*4e10	
RB-7	20"	3*9 3*8	*4e10	*4e10	
RB-8	18"	4*10 4*10	6*4e6	6*4e6	*4e12 stirrups in Center
RB-9	20"	5*10 5*10	6*4e6	6*4e6	*4e12 stirrups in Center



**PLAN C
ELEVATION
397.50'**
Scale: 1/8" = 1'-0"

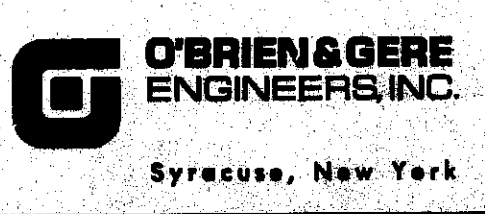
**PARTIAL PLAN OF
ROOF SLOPES**
Not to Scale

**PILE &
FOUNDATION
PLAN**
Scale: 1/8" = 1'-0"



In charge of *[Signature]*
Designed by *[Signature]* Checked by *[Signature]*
Made by *[Signature]*

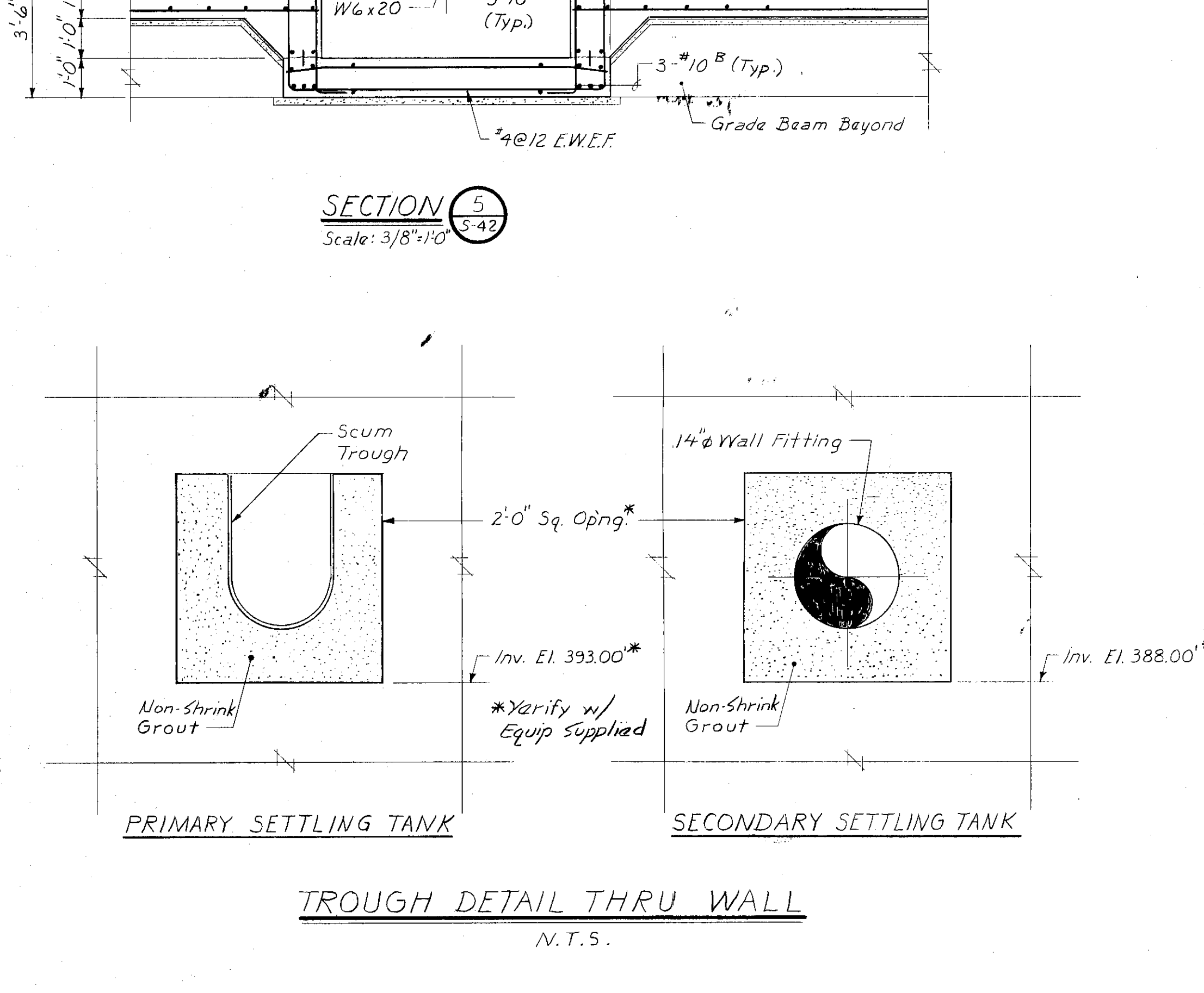
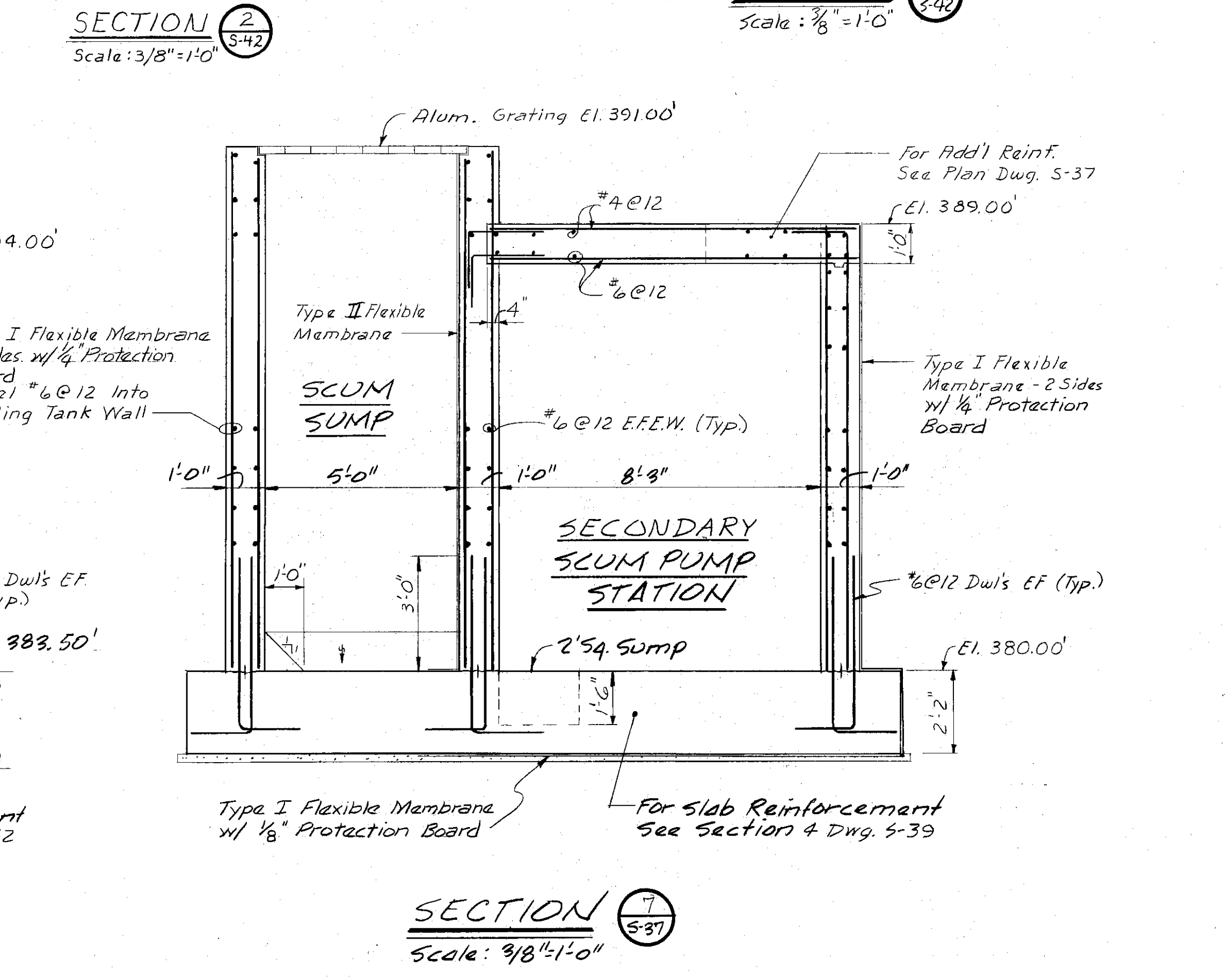
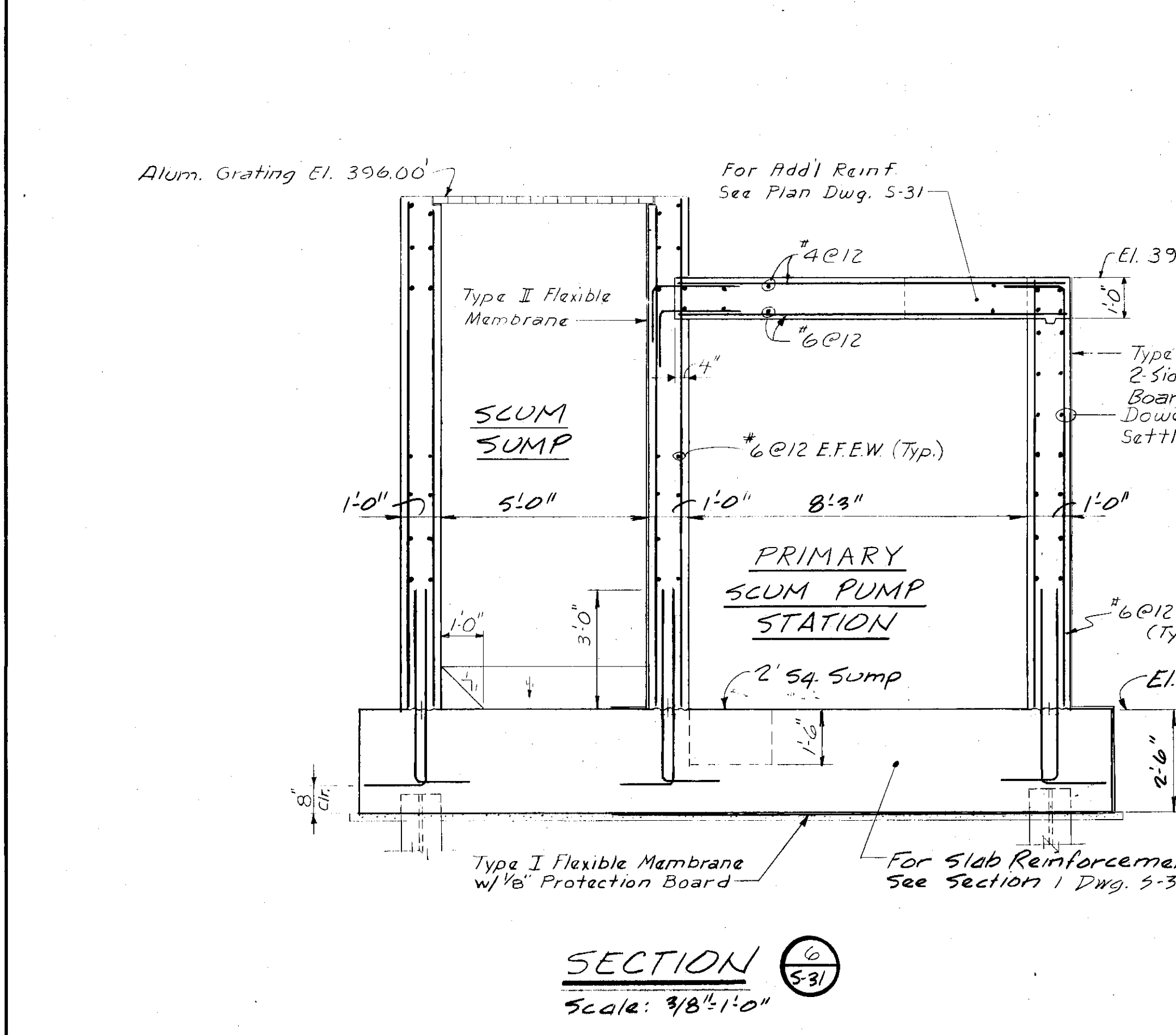
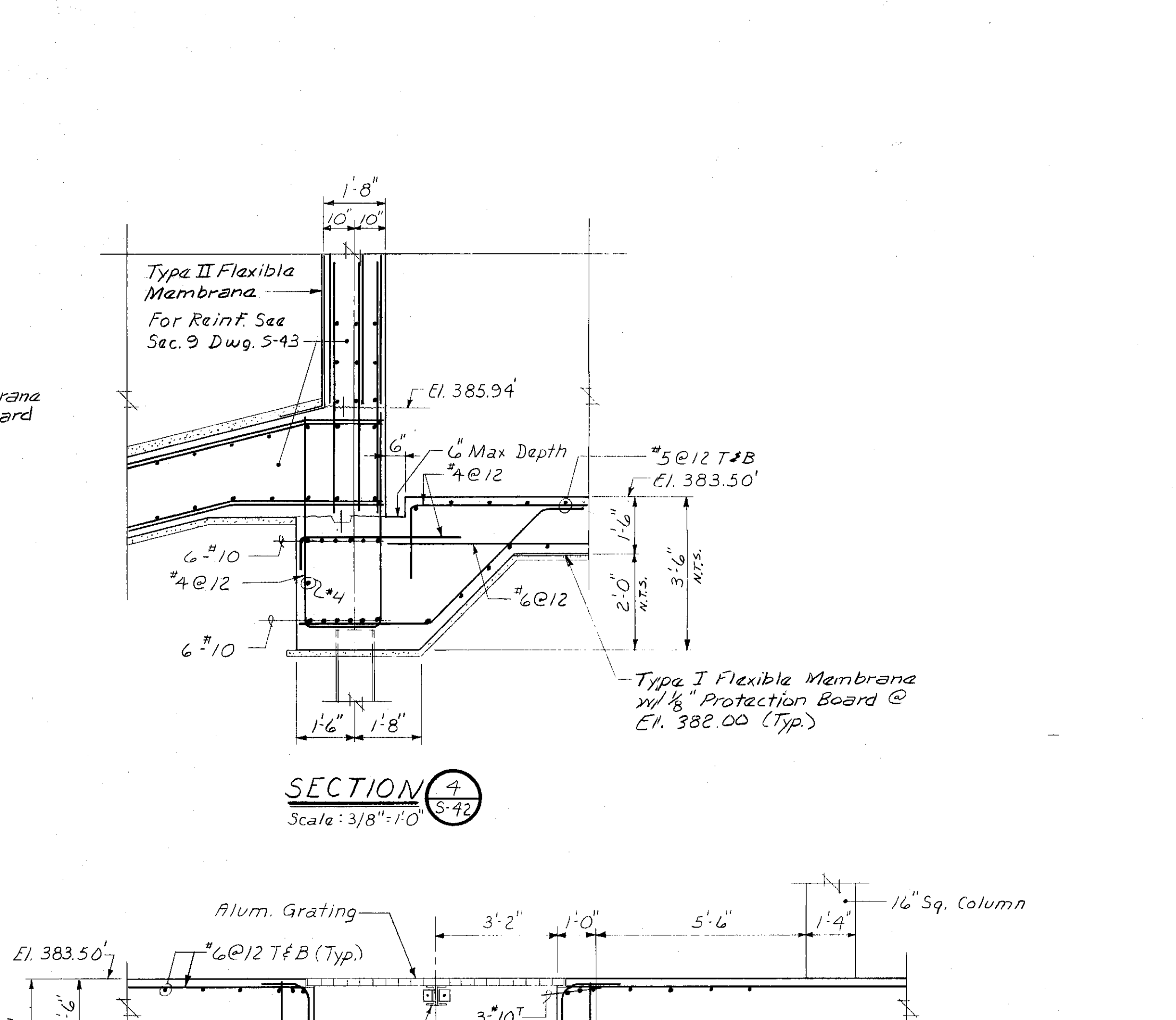
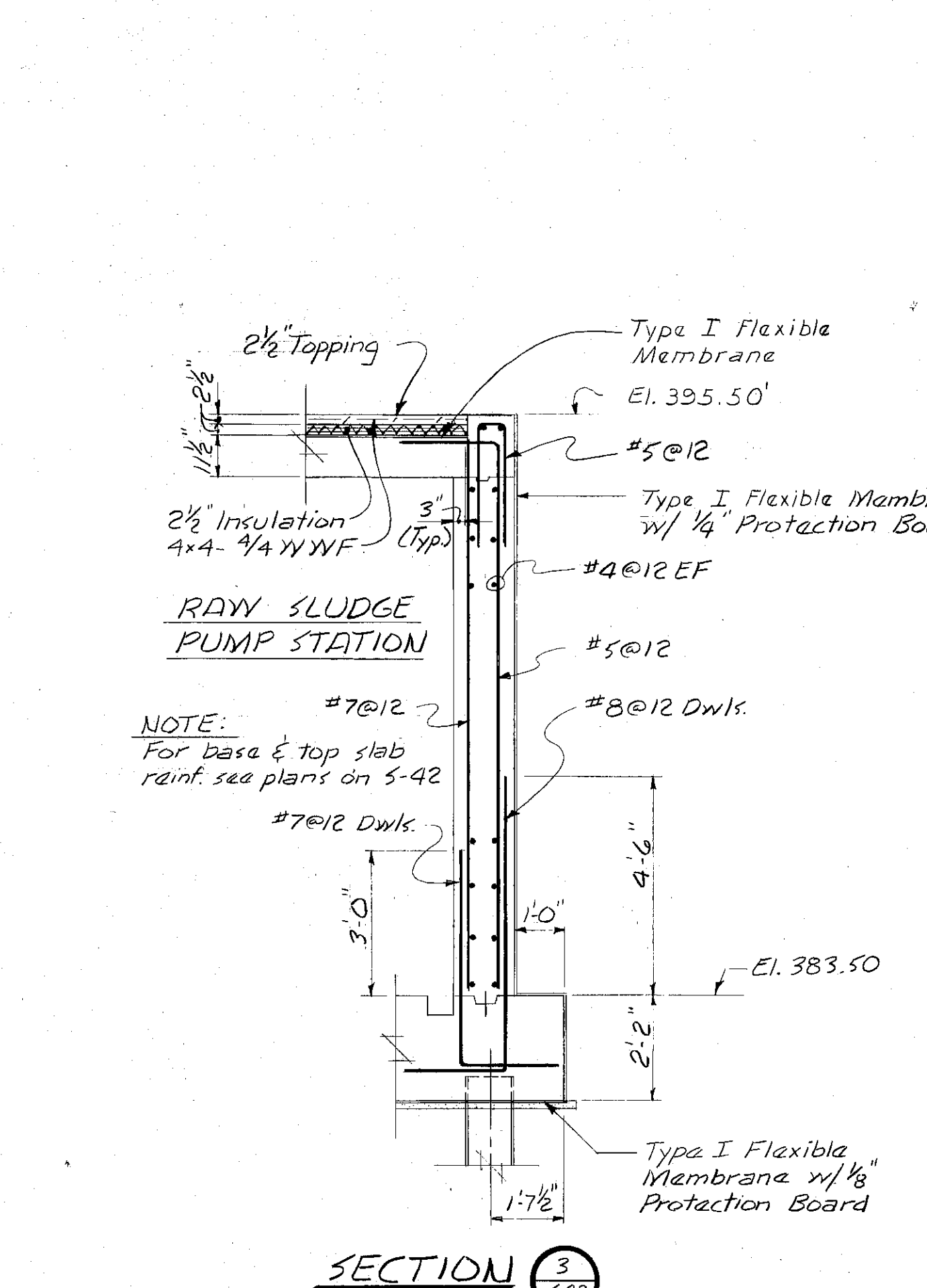
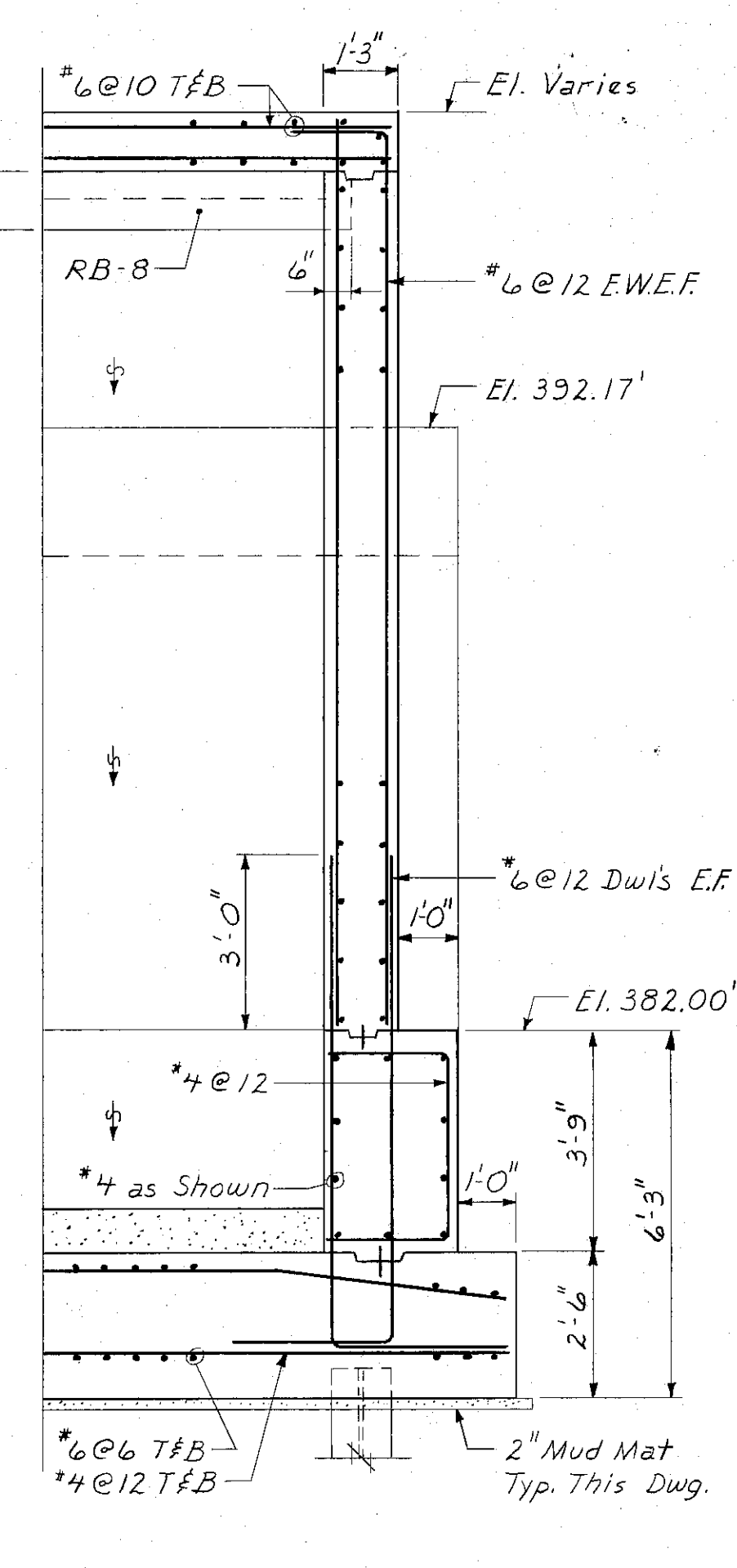
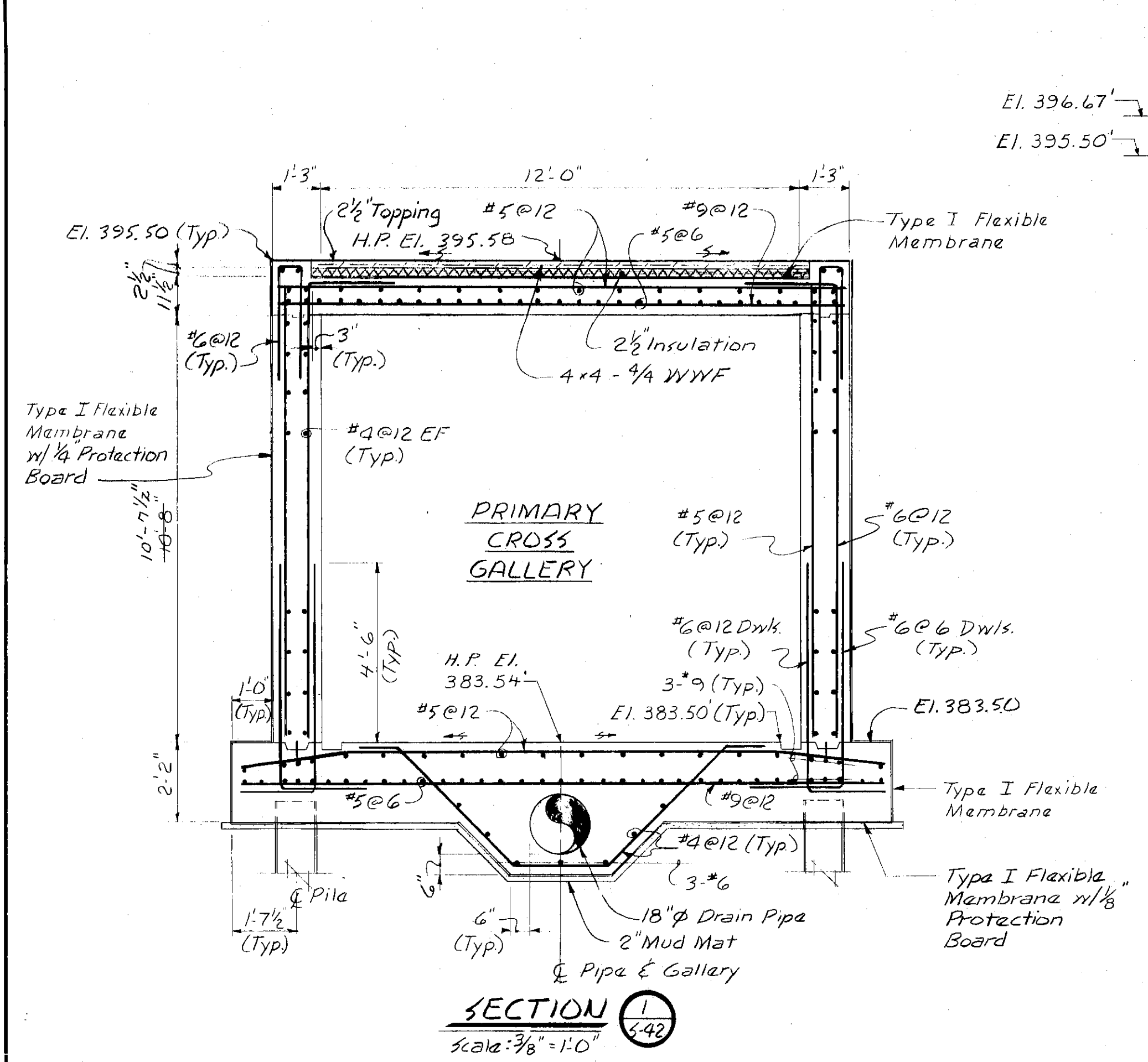
NO.	DATE	REVISION	INIT.
21478		General Revisions	
54477		General Revisions	



**CLAY SANITARY DISTRICT
OAK ORCHARD SERVICE AREA
OAK ORCHARD WATER POLLUTION CONTROL PLANT**

STRUCTURAL
**RAW SLUDGE THICKENER & HOLDING TANKS
PLANS**

FILE NO.
115.219.497F
DATE
JULY 1, 1975
S-42



RECORD DRAWINGS
To the best of our knowledge, information and belief, no errors or omissions have been made in these drawings and they are true and correct copies of the original drawings as prepared by the engineer.

By: *Bludlow*

In charge of *Bludlow*
Designed by *Bludlow*
Checked by *Bludlow*
Made by *Bludlow*

NO.	DATE	REVISION	INIT.
1	2/14/77	General Revisions	Bludlow
2	3/17/77	General Revisions	Bludlow

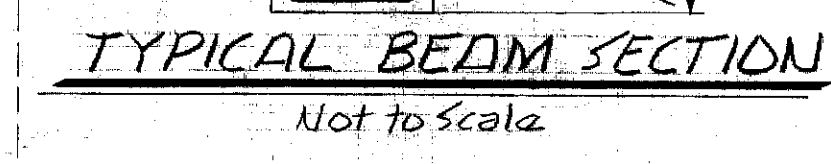
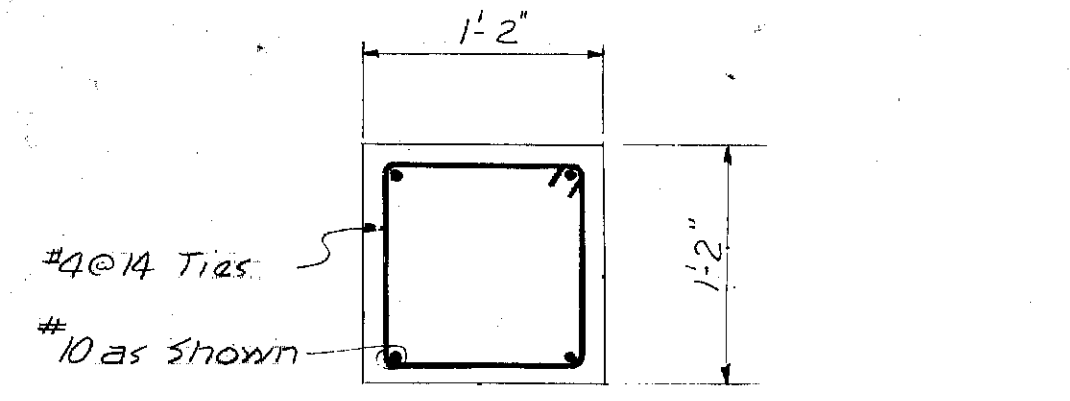
O'BRIEN & GERE ENGINEERS, INC.
Syracuse, New York

CLAY SANITARY DISTRICT
OAK ORCHARD SERVICE AREA
OAK ORCHARD WATER POLLUTION CONTROL PLANT

STRUCTURAL
RAW SLUDGE THICKENER & HOLDING TANKS
SECTIONS

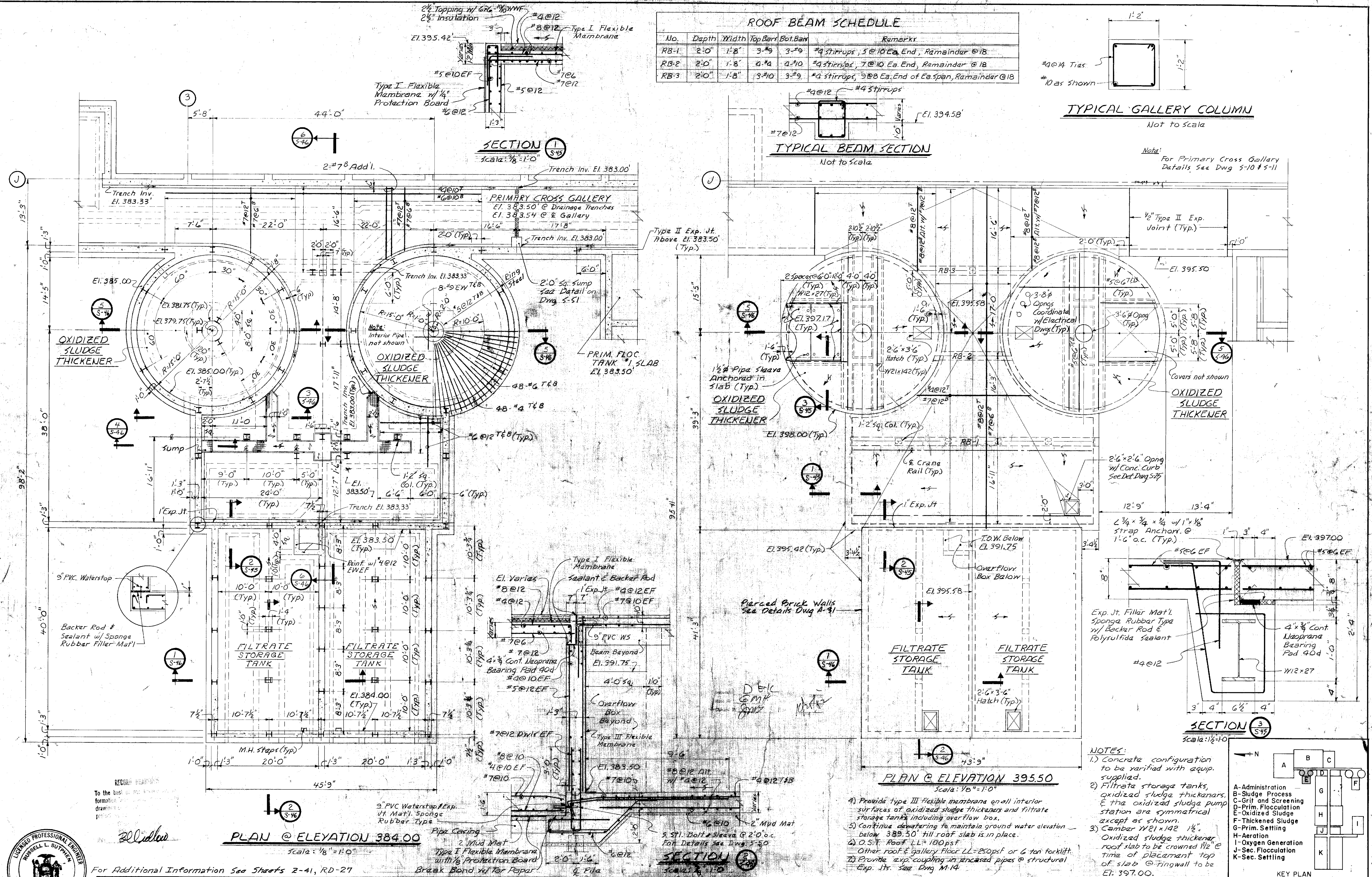
FILE NO. 115.219.198F
DATE JULY 1, 1975
S-44

ROOF BEAM SCHEDULE					
No.	Depth	Width	Top Bars	Bot. Bars	Remarks
RB-1	2'-0"	1'-8"	3-#9	3-#9	#4 stirrups, 5 @ 10 Ea. End, Remainder @ 18
RB-2	2'-0"	1'-8"	4-#9	4-#9	#4 stirrups, 7 @ 10 Ea. End, Remainder @ 18
RB-3	2'-0"	1'-8"	3-#10	3-#9	#4 stirrups, 9 @ 8 Ea. End of Ea. Span, Remainder @ 18



TYPICAL GALLERY COLUMN
Not to scale

Notes:
For Primary Cross Gallery
Details see Dwg 5-10 & 5-11



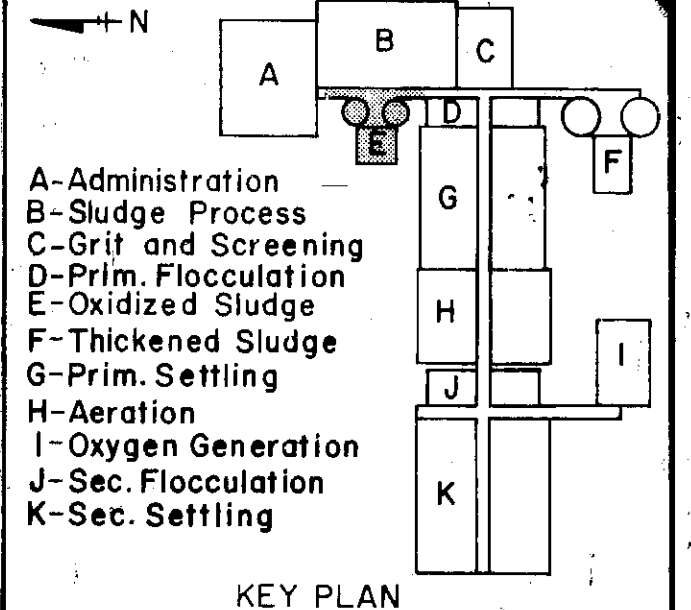
SECTION 1
Scale: 1/8" = 1'-0"

SECTION 3
Scale: 1/2" = 1'-0"

PLAN @ ELEVATION 384.00
Scale: 1/8" = 1'-0"

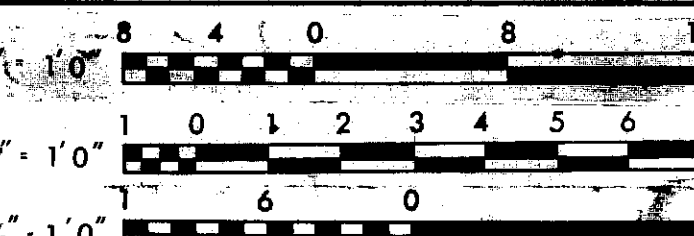
PLAN @ ELEVATION 395.50
Scale: 1/8" = 1'-0"

- NOTES:
- 1) Concrete configuration to be verified with equip. supplied.
 - 2) Filtrate storage tanks, oxidized sludge thickeners, & the oxidized sludge pump station are symmetrical except as shown.
 - 3) Camber W21 x 142 1/2" Oxidized sludge thickener roof slab to be crowned 1/2" @ time of placement top of slab @ ringwall to be El. 397.00.



For Additional Information See Sheets 2-41, RD-27

In charge of *Uranikthal*
Designed by *JKD* Checked by *JMS*
Made by *RJB GPK*

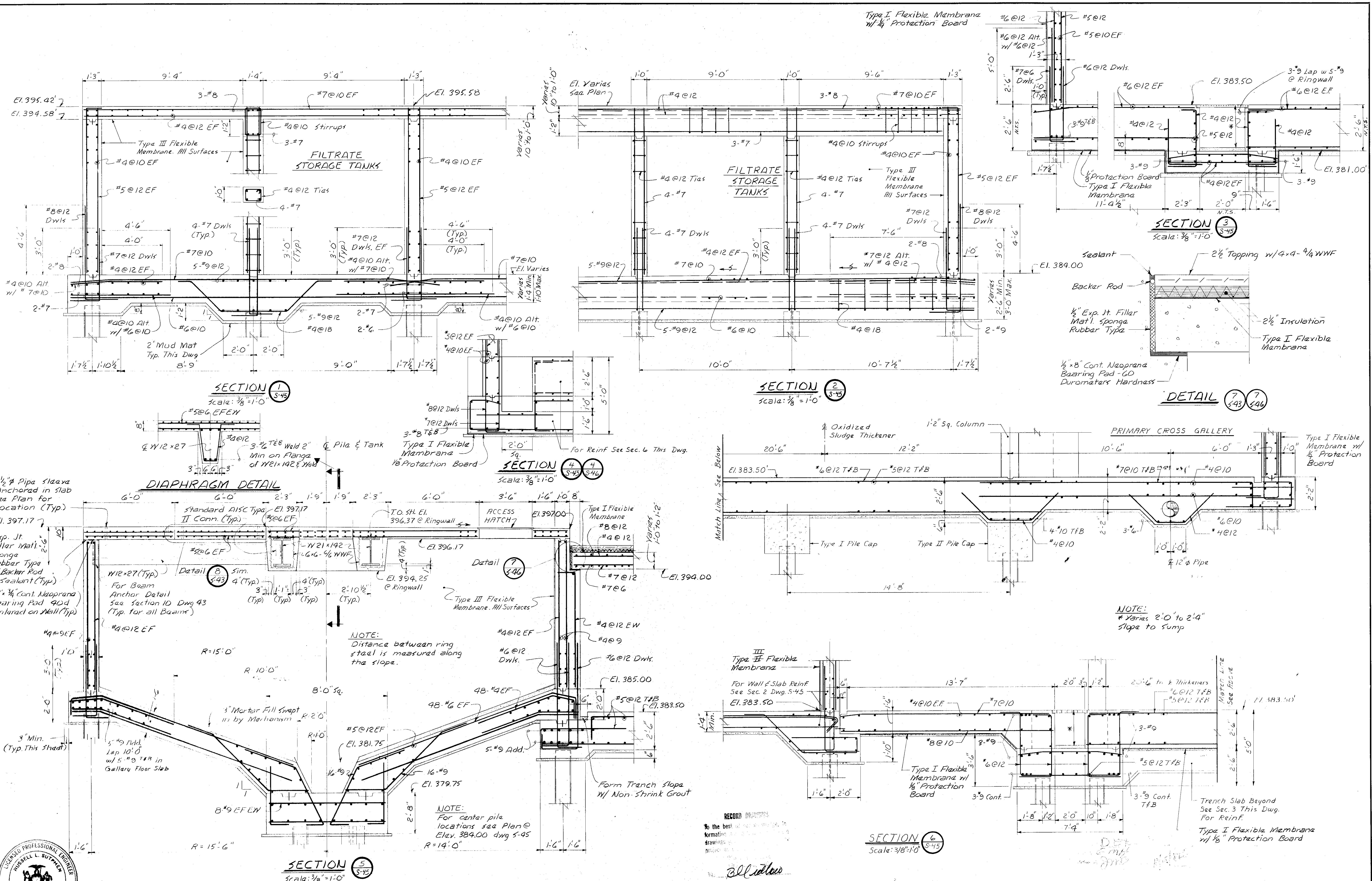


NO.	DATE	REVISION
1		General Revisions
2		General Revisions

CLAY SANITARY DISTRICT
OAK ORCHARD SERVICE AREA
OAK ORCHARD WATER POLLUTION CONTROL PLANT

STRUCTURAL
OXIDIZED SLUDGE THICKENERS
FILTRATE STORAGE TANKS
PLAN

FILE NO. 115.219.200F
DATE JULY 1, 1975
S-45



In charge of *W. Suttner*
 Designed by *J.K.D.* Checked by *J.M.S.*
 Made by *G.P.K. R.J.B.*

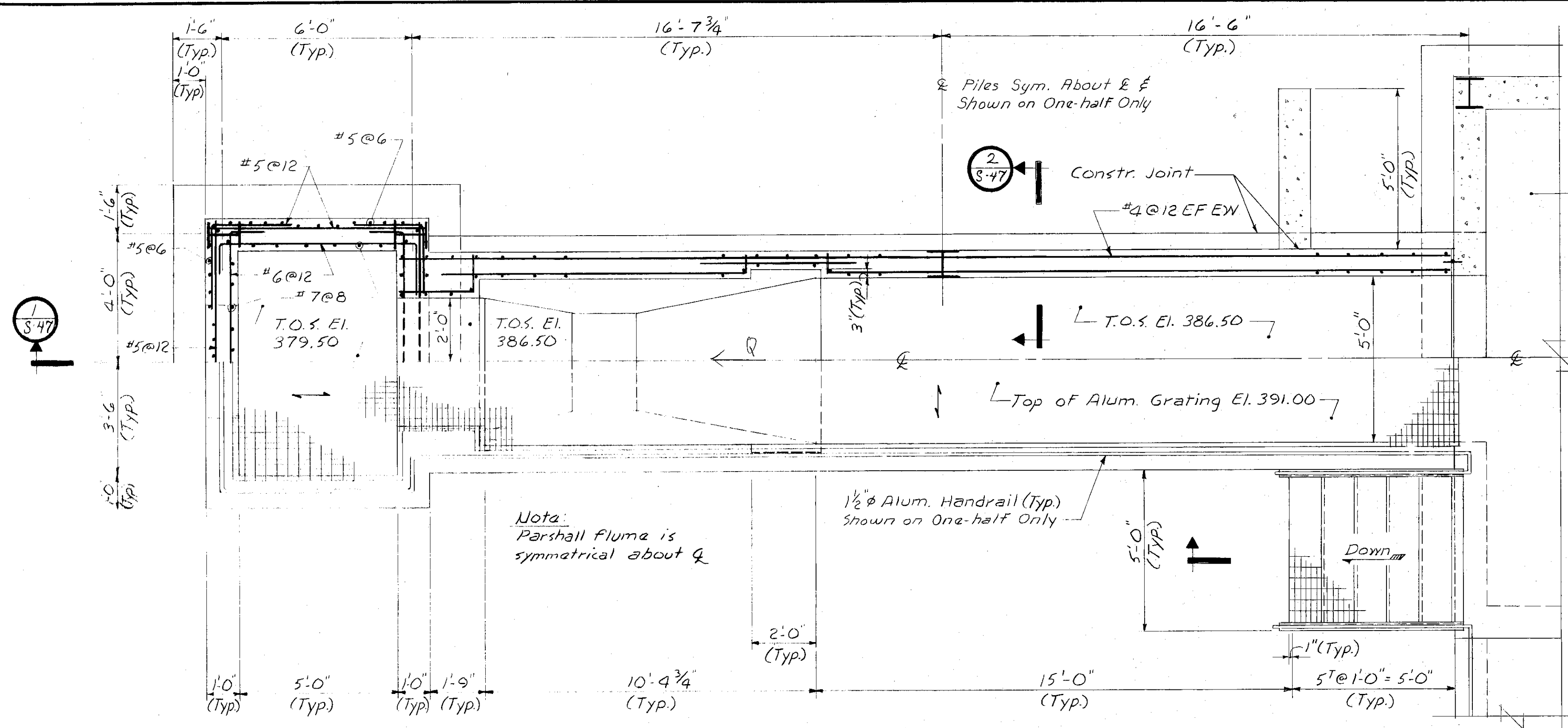
NO.	DATE	REVISION	INIT.
2/14/78		General Revisions	
5/4/77		General Revisions	

O'BRIEN & GERE
 ENGINEERS, INC.
 Syracuse, New York

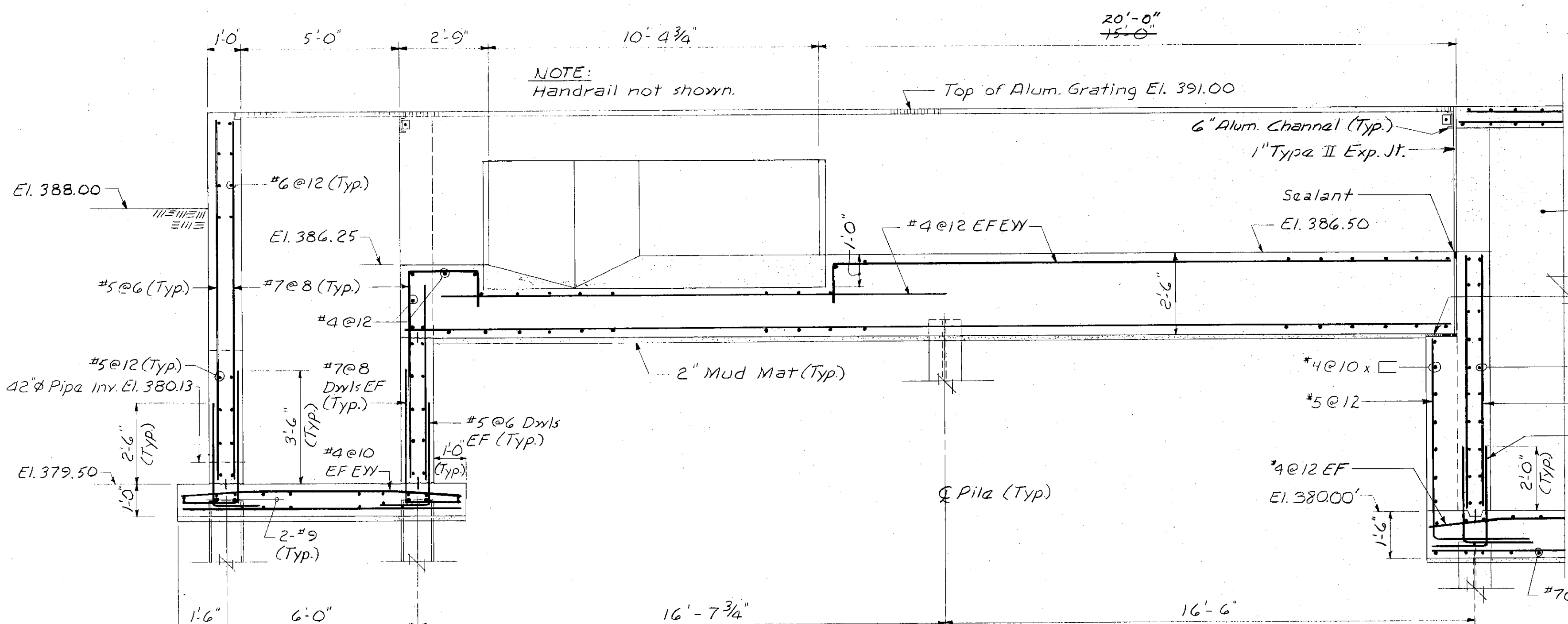
CLAY SANITARY DISTRICT
 OAK ORCHARD SERVICE AREA
 OAK ORCHARD WATER POLLUTION CONTROL PLANT

STRUCTURAL
 OXIDIZED SLUDGE THICKENERS
 FILTRATE STORAGE TANKS
SECTIONS

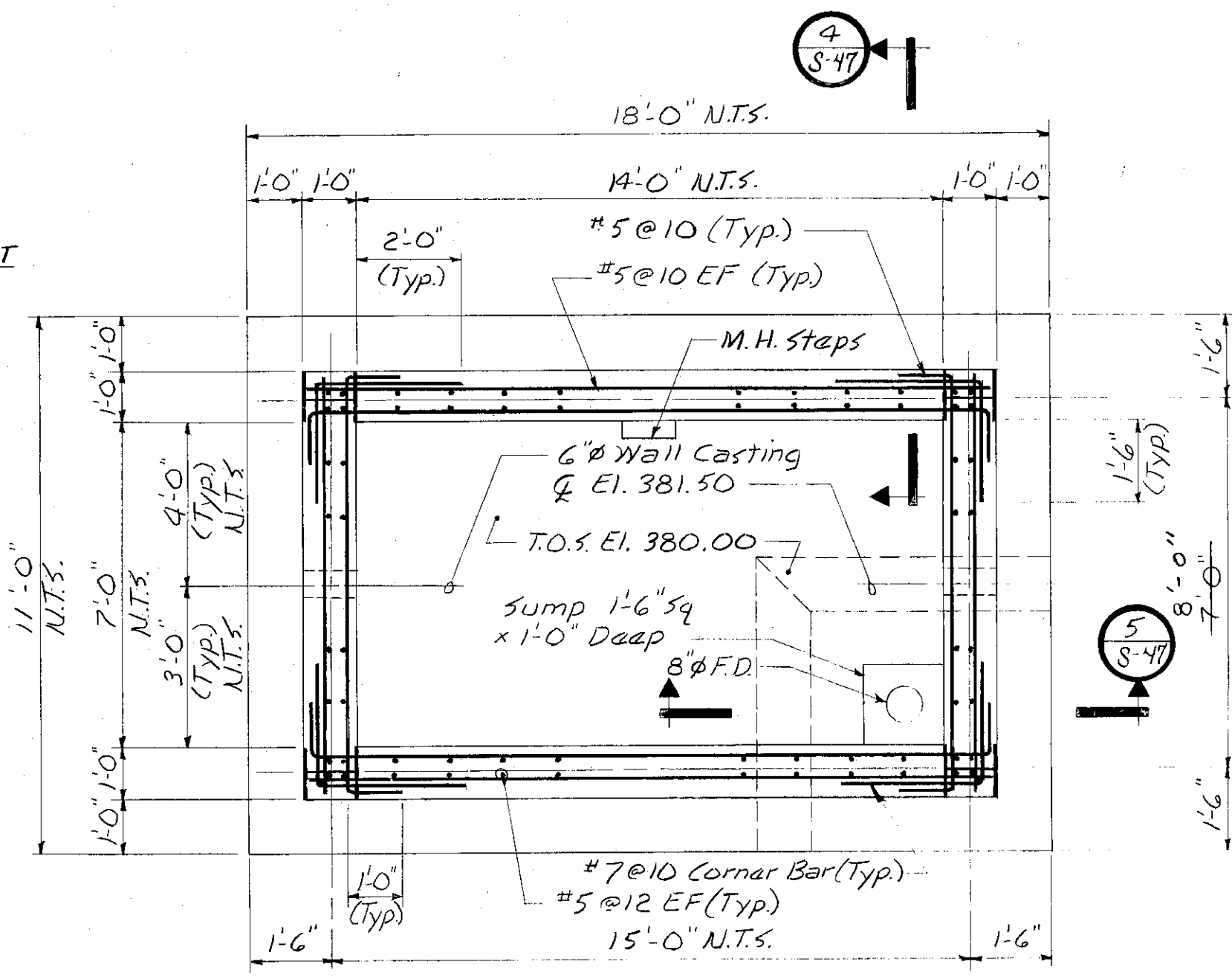
FILE NO.
 115.219.201F
 DATE
 JULY 1, 1975
S-46



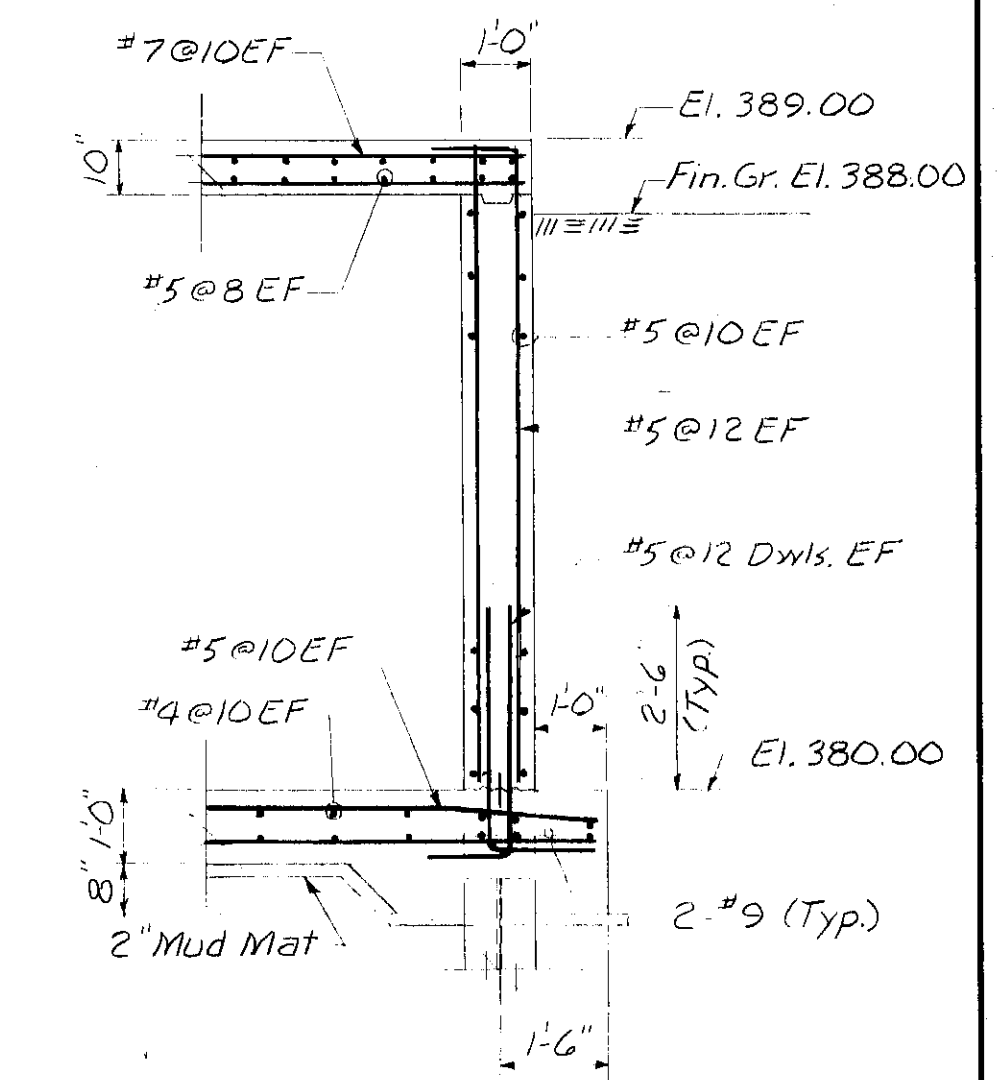
PLAN-PARSHALL FLUME STRUCTURE
Scale: 3/8" = 1'-0"



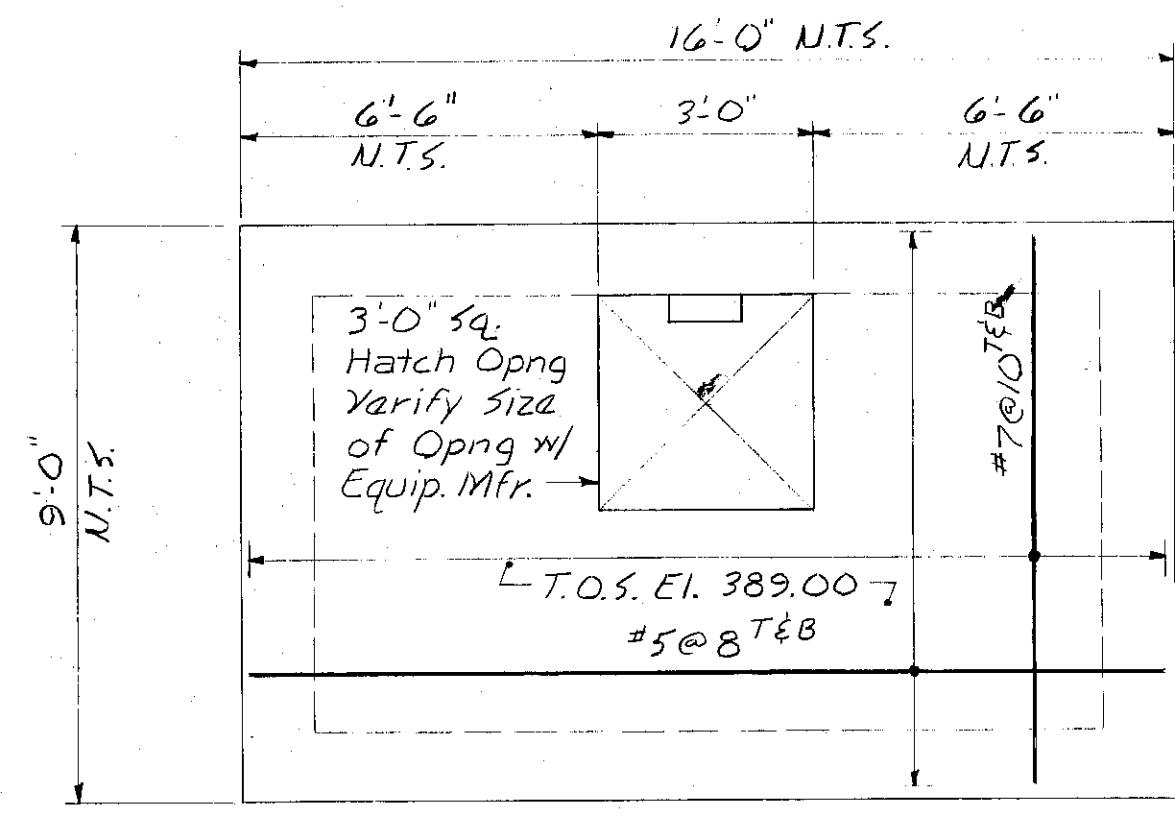
SECTION 1
Scale: 3/8" = 1'-0"



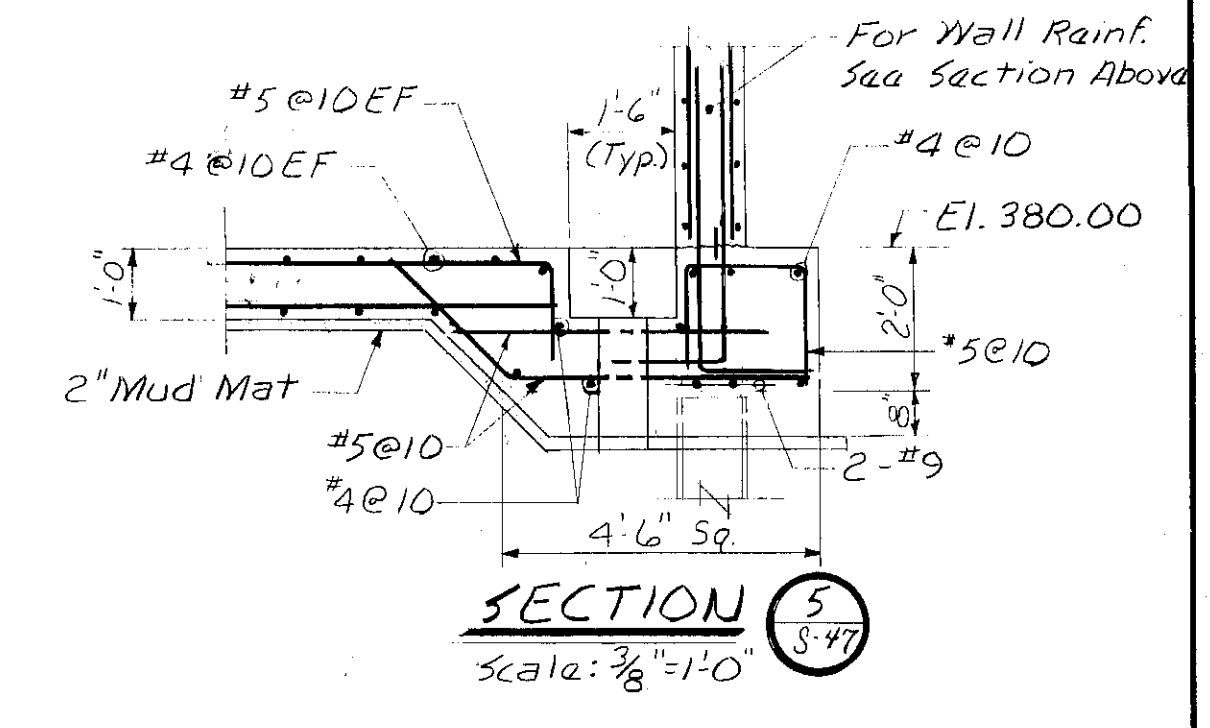
BACKFLOW PREVENTOR PIT PLAN @ ELEVATION 383.00
Scale: 3/8" = 1'-0"



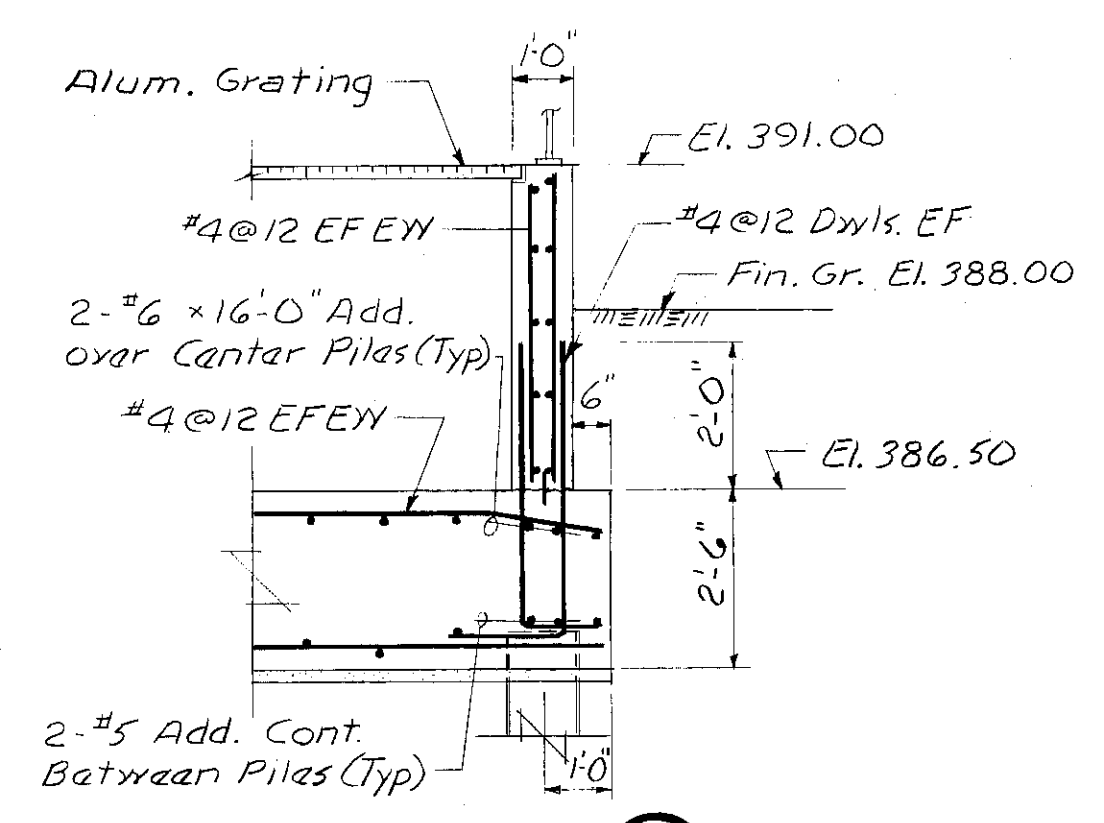
SECTION 4
Scale: 3/8" = 1'-0"



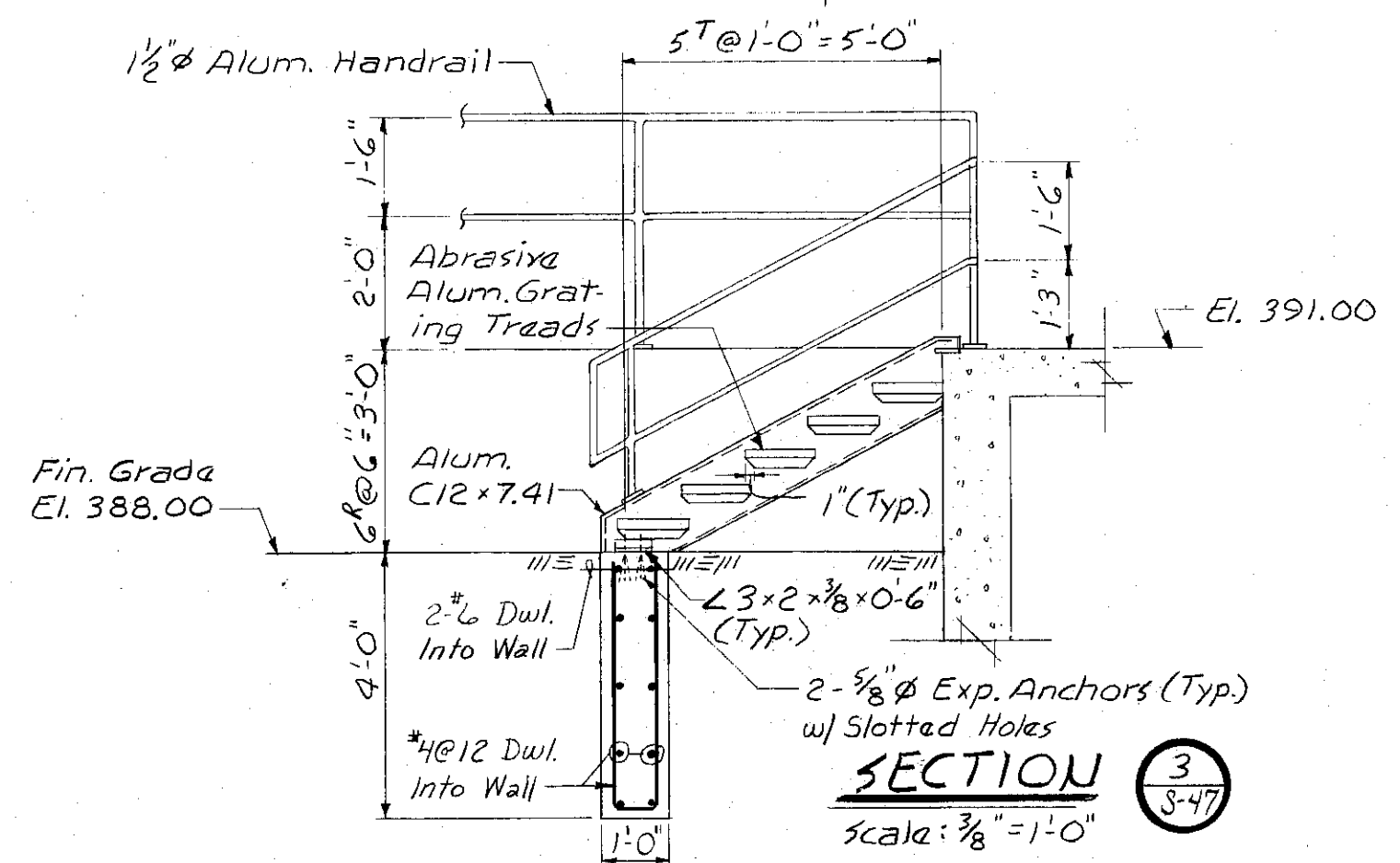
BACKFLOW PREVENTOR PIT PLAN @ ELEVATION 389.00
Scale: 3/8" = 1'-0"



SECTION 5
Scale: 3/8" = 1'-0"

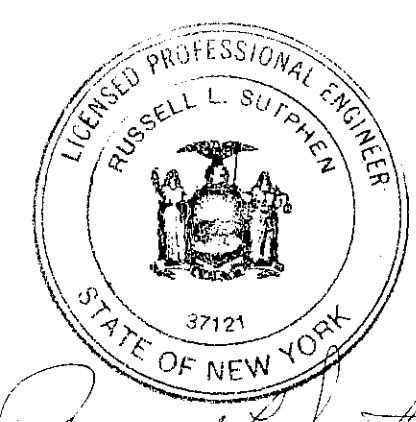


SECTION 2
Scale: 3/8" = 1'-0"

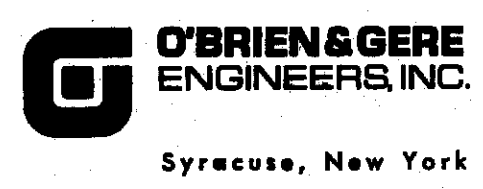


SECTION 3
Scale: 3/8" = 1'-0"

REC'D
To the best of my knowledge and belief, the drawings and specifications herein conform to the project as shown.



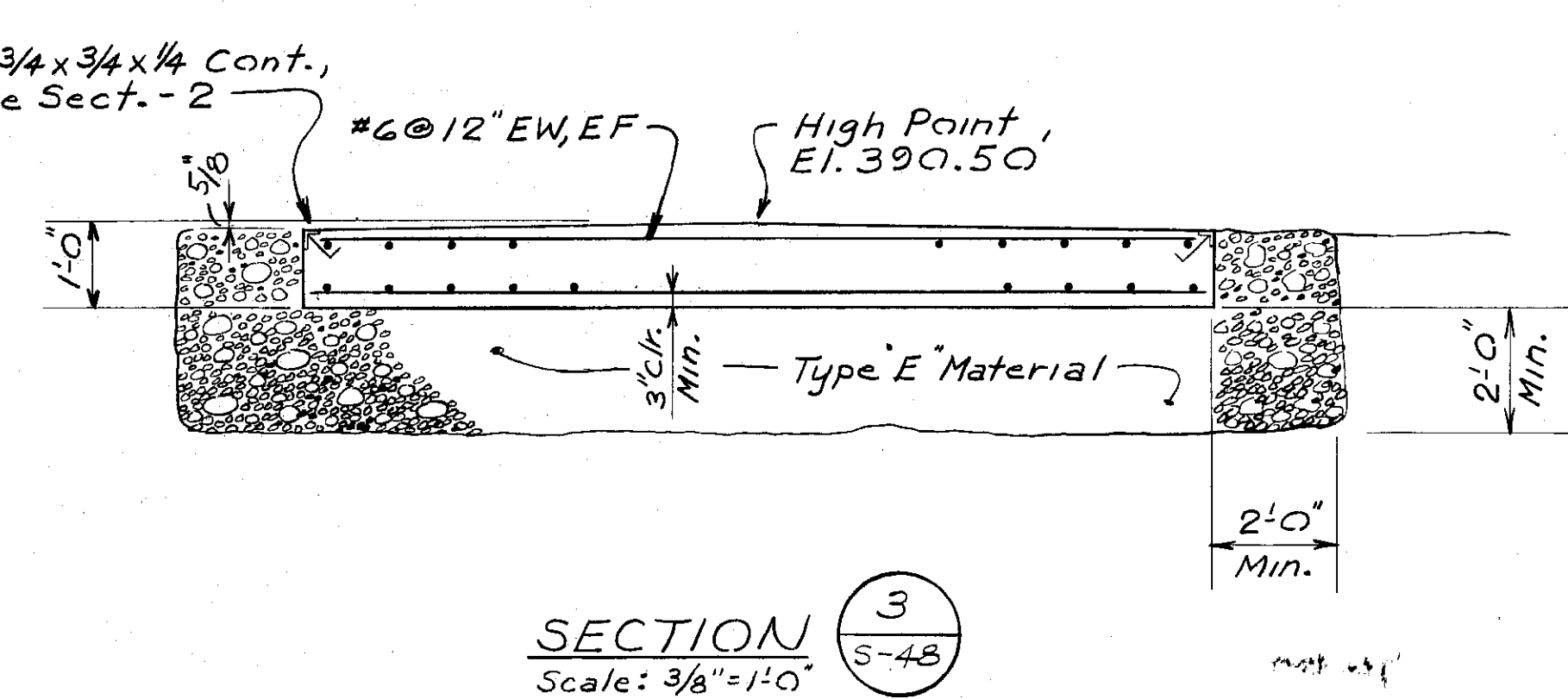
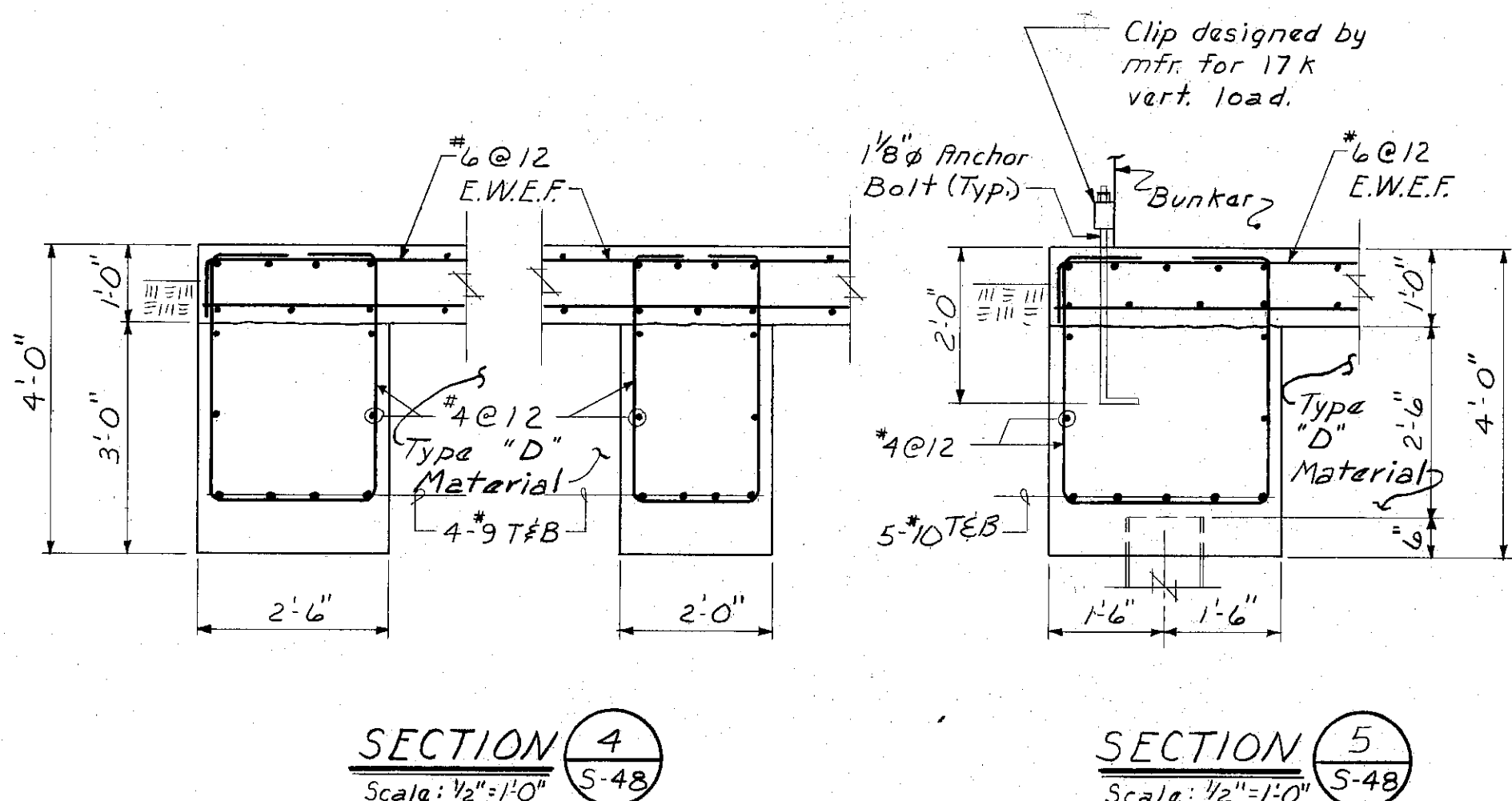
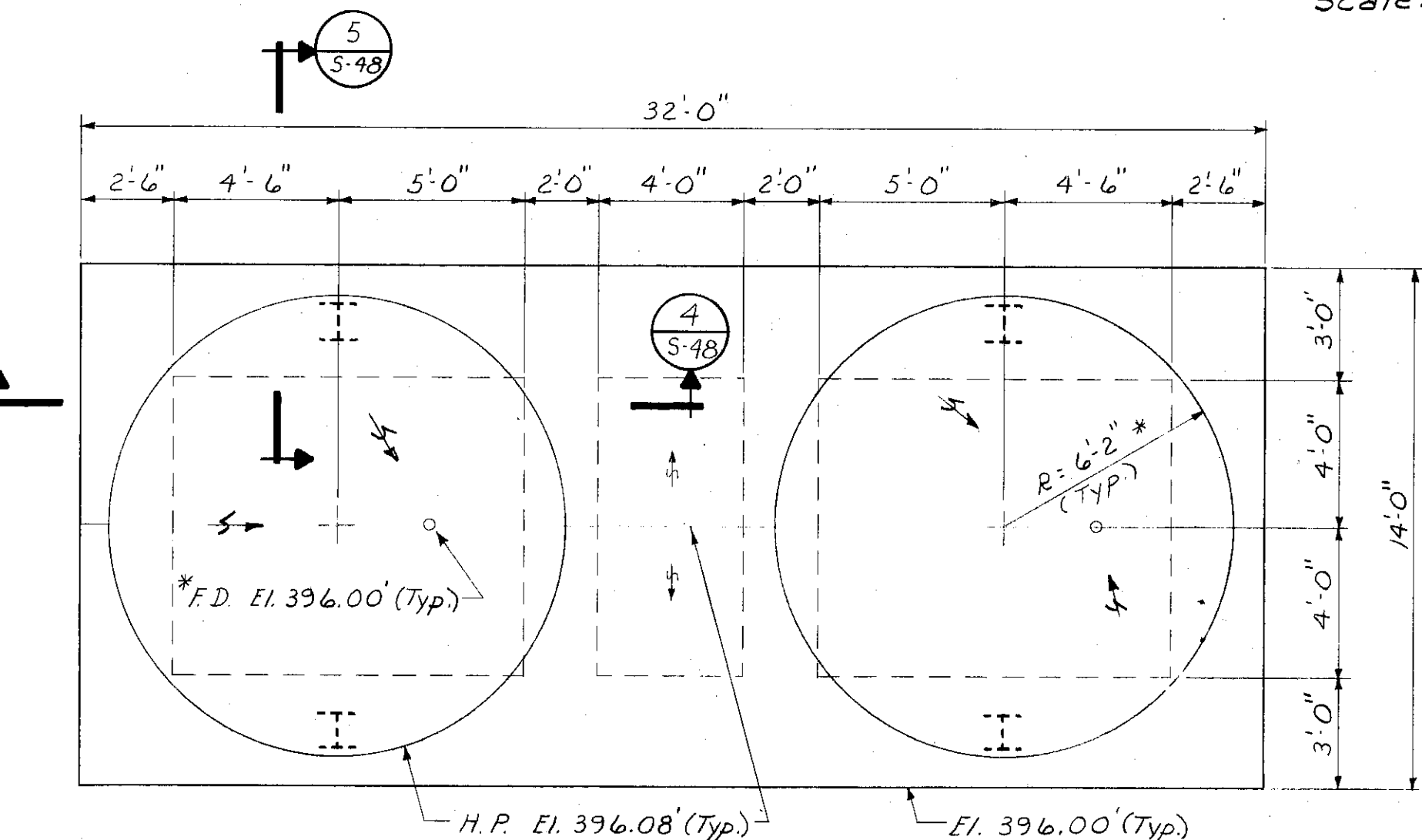
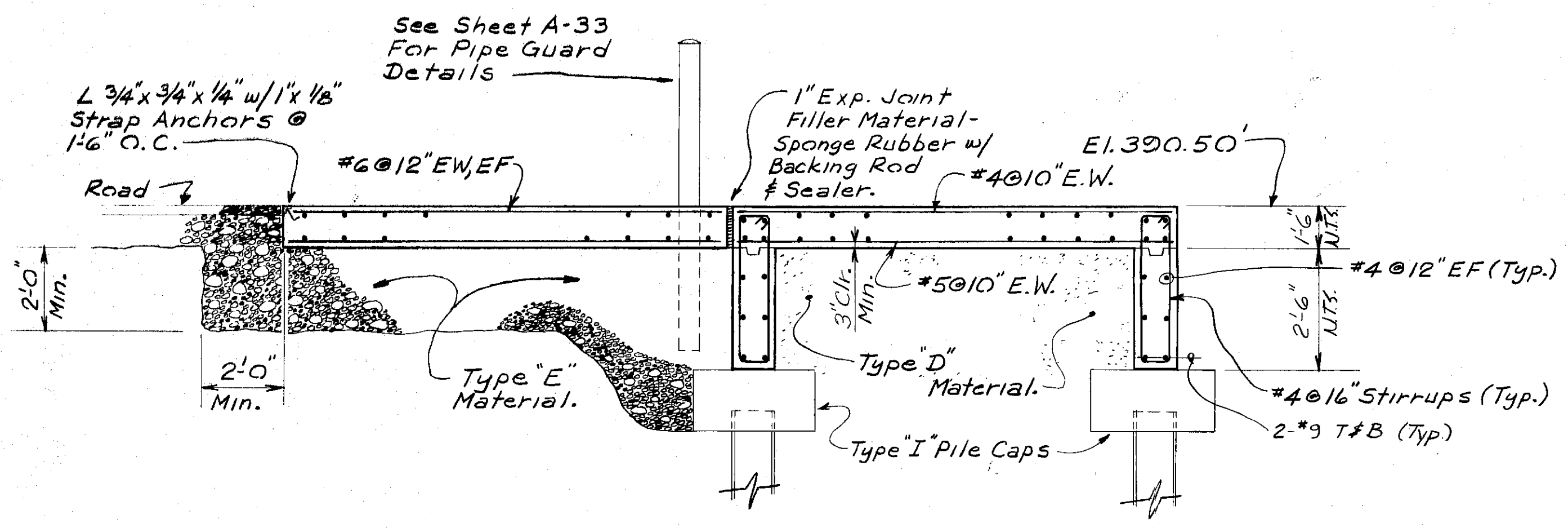
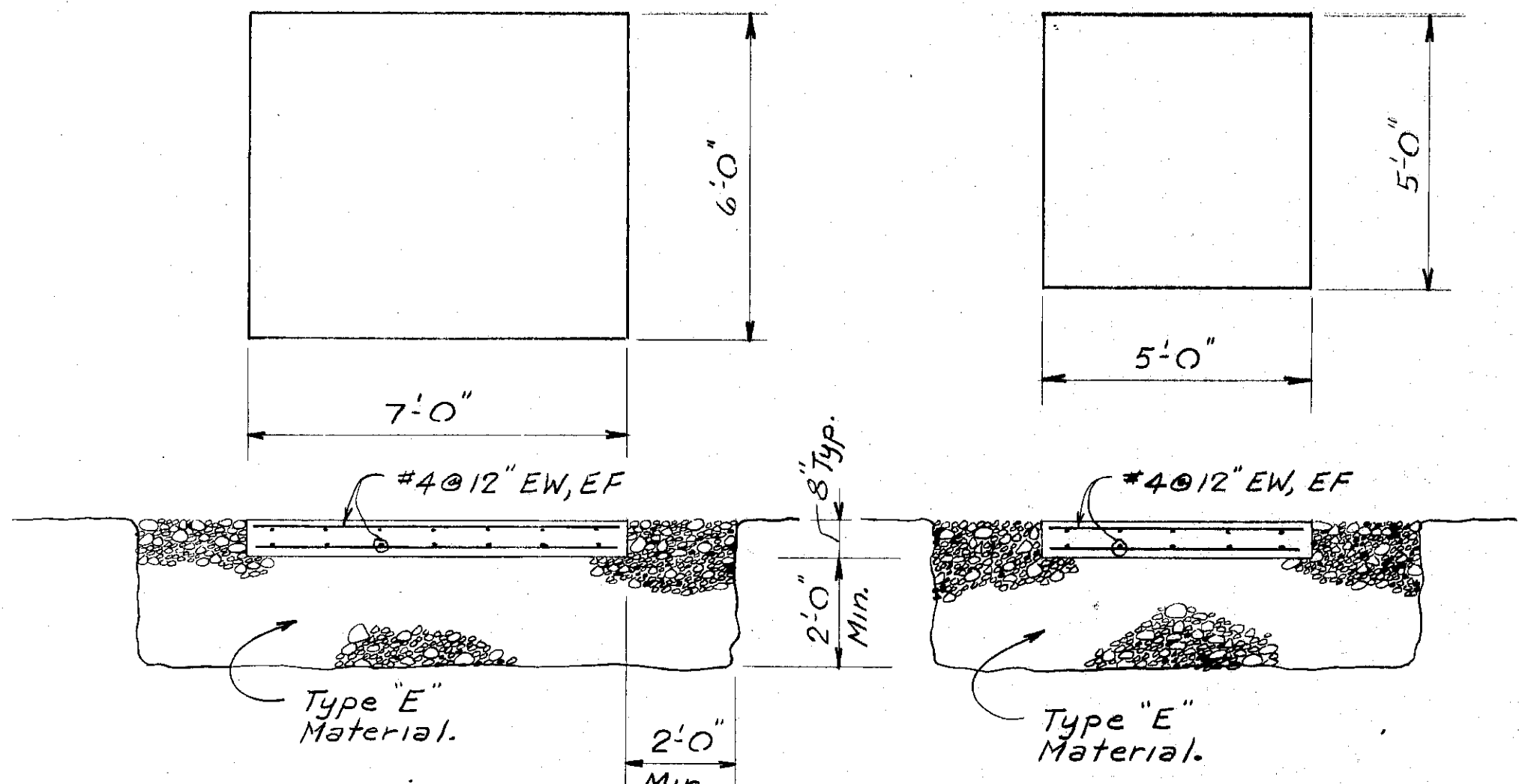
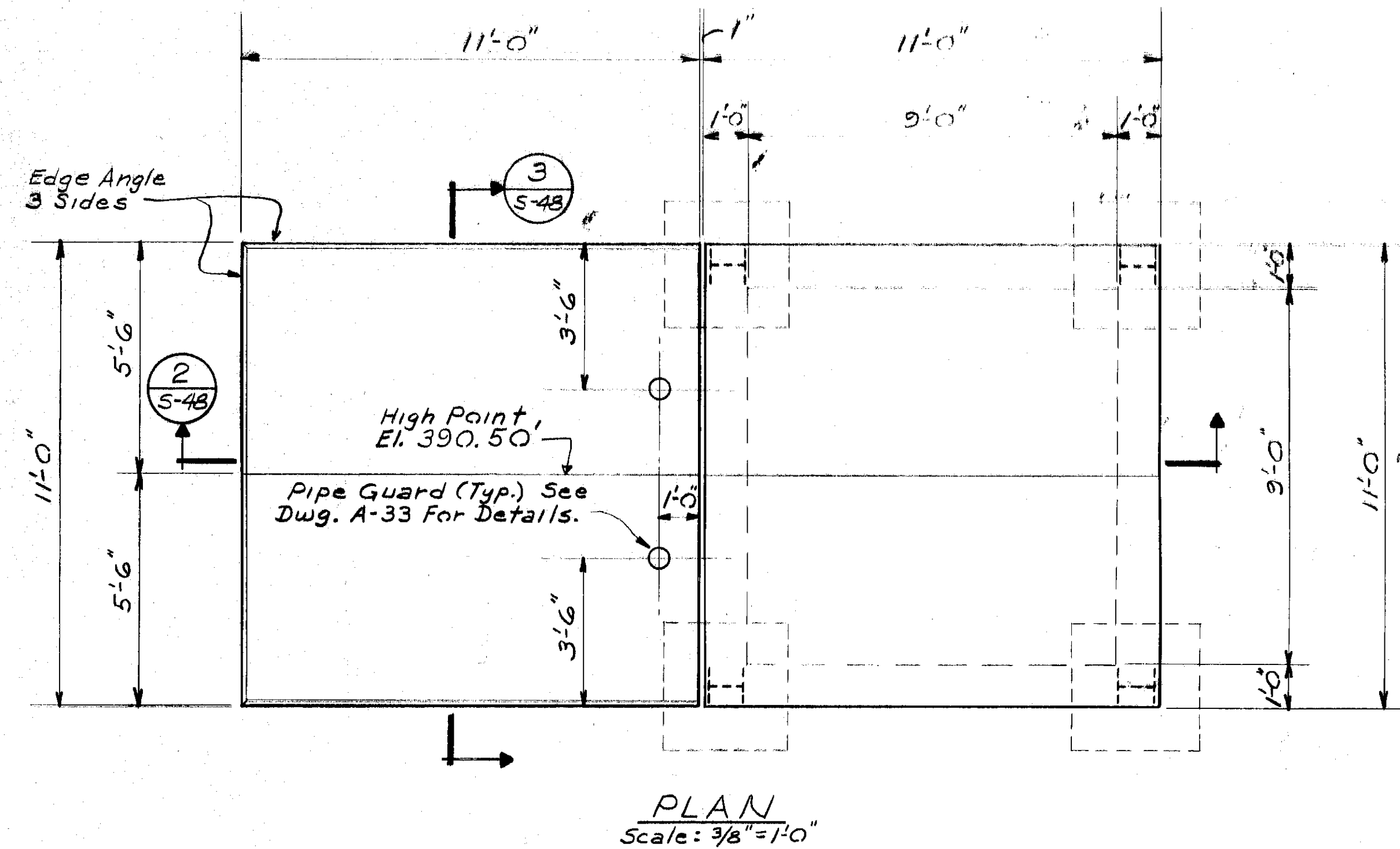
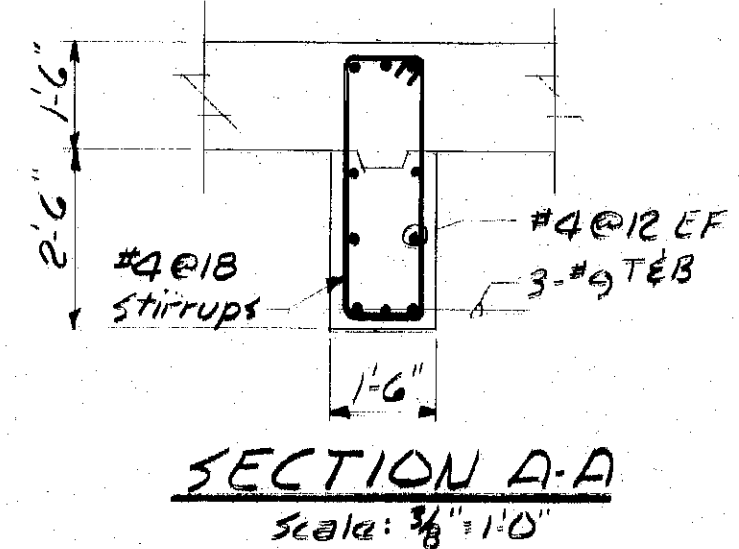
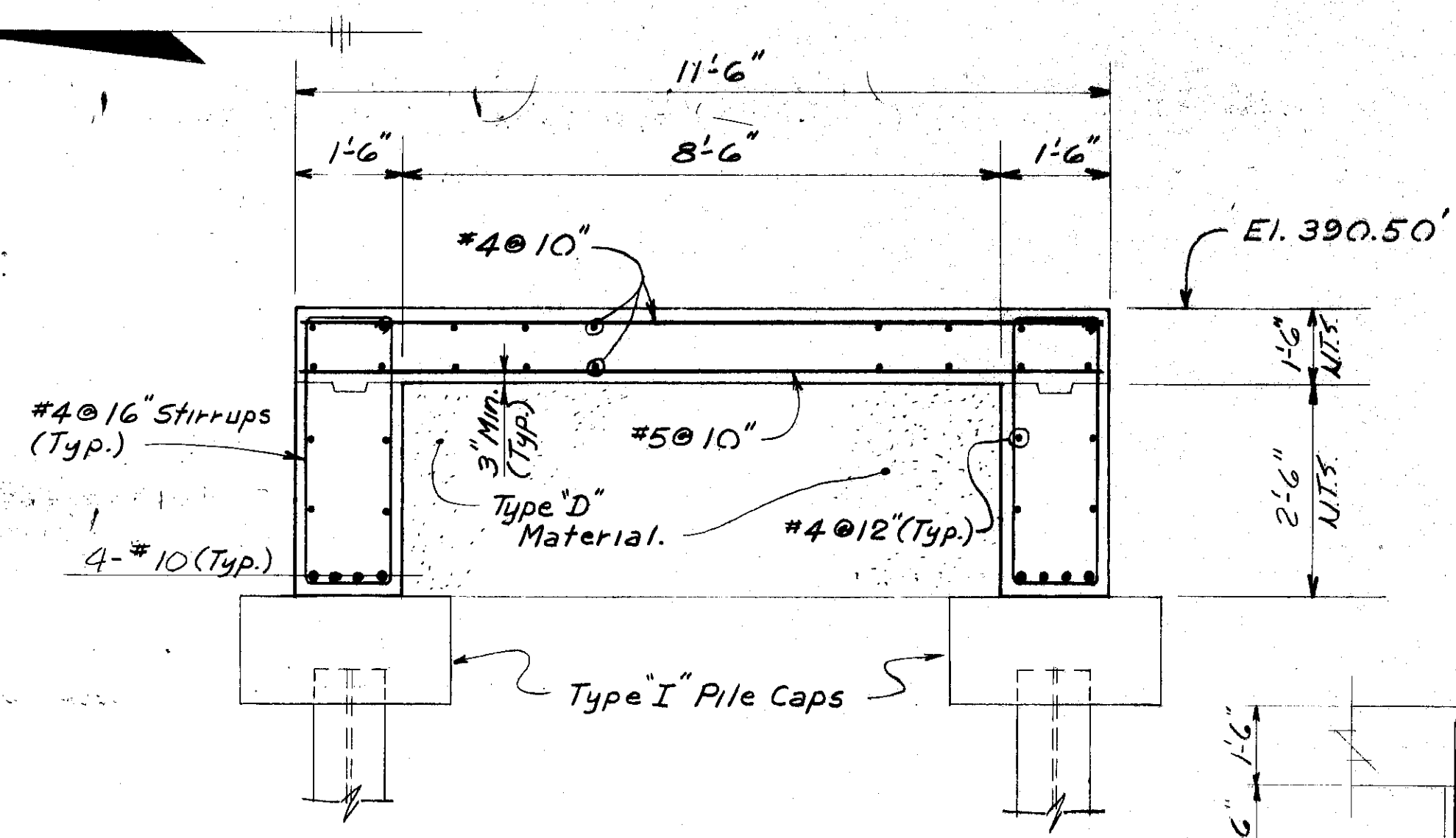
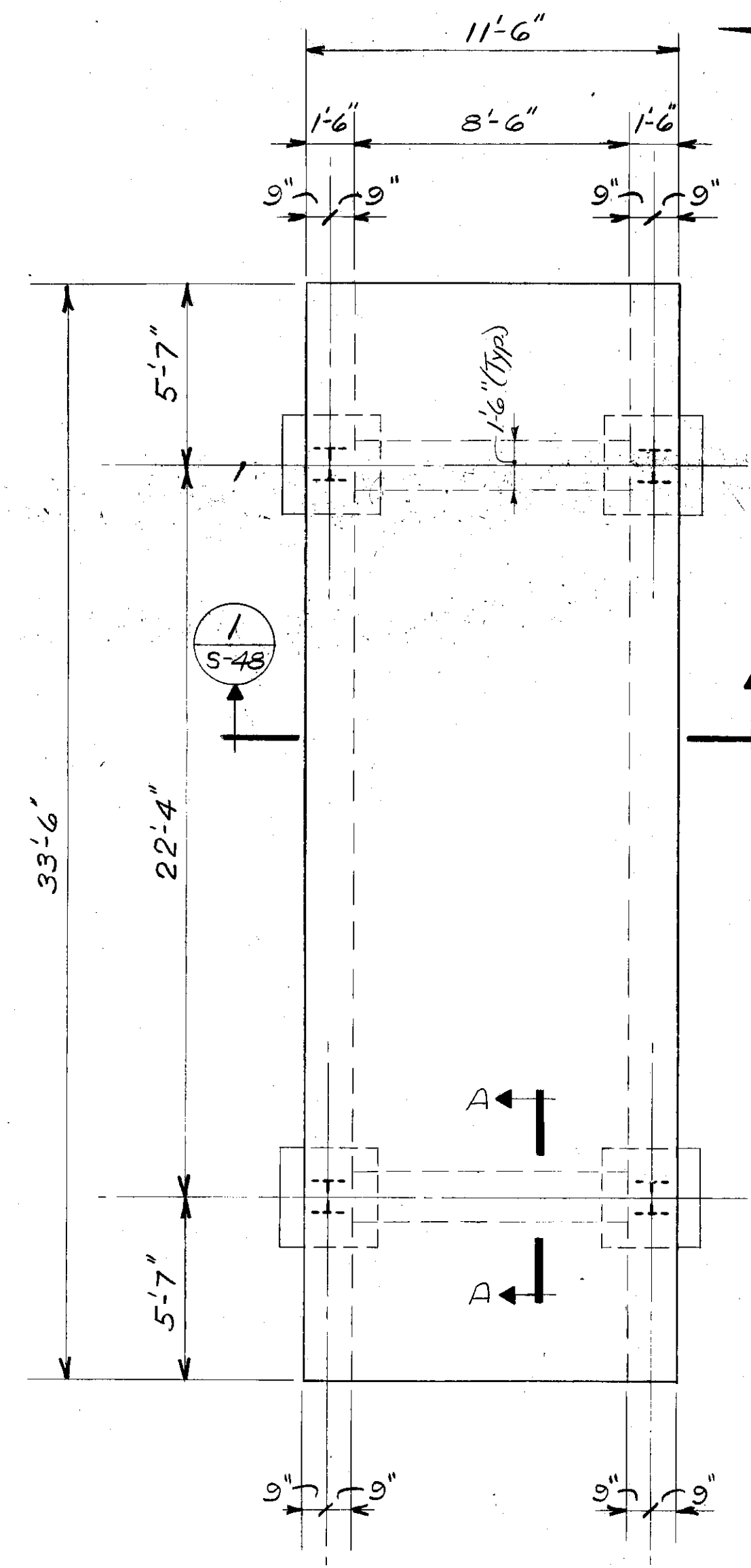
In charge of <u>Russell L. Sutphen</u>	NO.	DATE	REVISION	INT.
Designed by <u>TMS/GPK</u> Checked by <u>TMS</u>				
Made by <u>GPK</u>				



CLAY SANITARY DISTRICT
OAK ORCHARD SERVICE AREA
OAK ORCHARD WATER POLLUTION CONTROL PLANT

STRUCTURAL
MISCELLANEOUS STRUCTURES

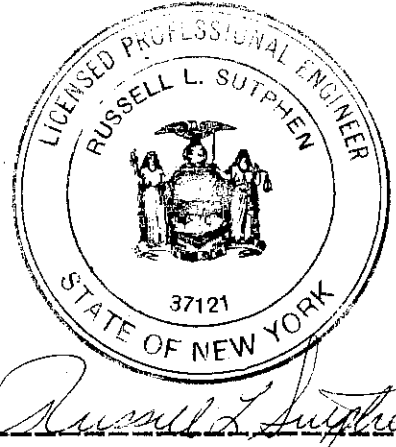
FILE NO.
115.219.202F
DATE
JULY, 1975
S-47



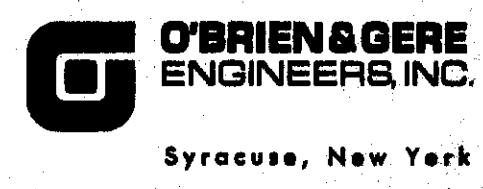
PLANS & SECTIONS
LIQUID OXYGEN STORAGE PAD

- Notes:
- Each lime bunker shall be anchored with 32-1/8" anchor bolts equally spaced. See detail this drawing.
 - * Verify dimensions with equipment supplied.

- NOTES
- Horizontal Reinforcing In Grade Beams Shall Be Lapped Or Continuous At Corners.
 - For Pad Locations See Drawings M-1 & M-25
 - Type "D" & "E" Material Shall Be Compacted To 95% By Modified Proctor Compaction Test.
 - P.S.A. Vessel & Diox Vessel anchorage system shall be designed by the mfr. to withstand zone 2 earthquake loading as defined by the Uniform Building Code. The anchorage system shall be reviewed & approved by the engineer before any concrete is placed.



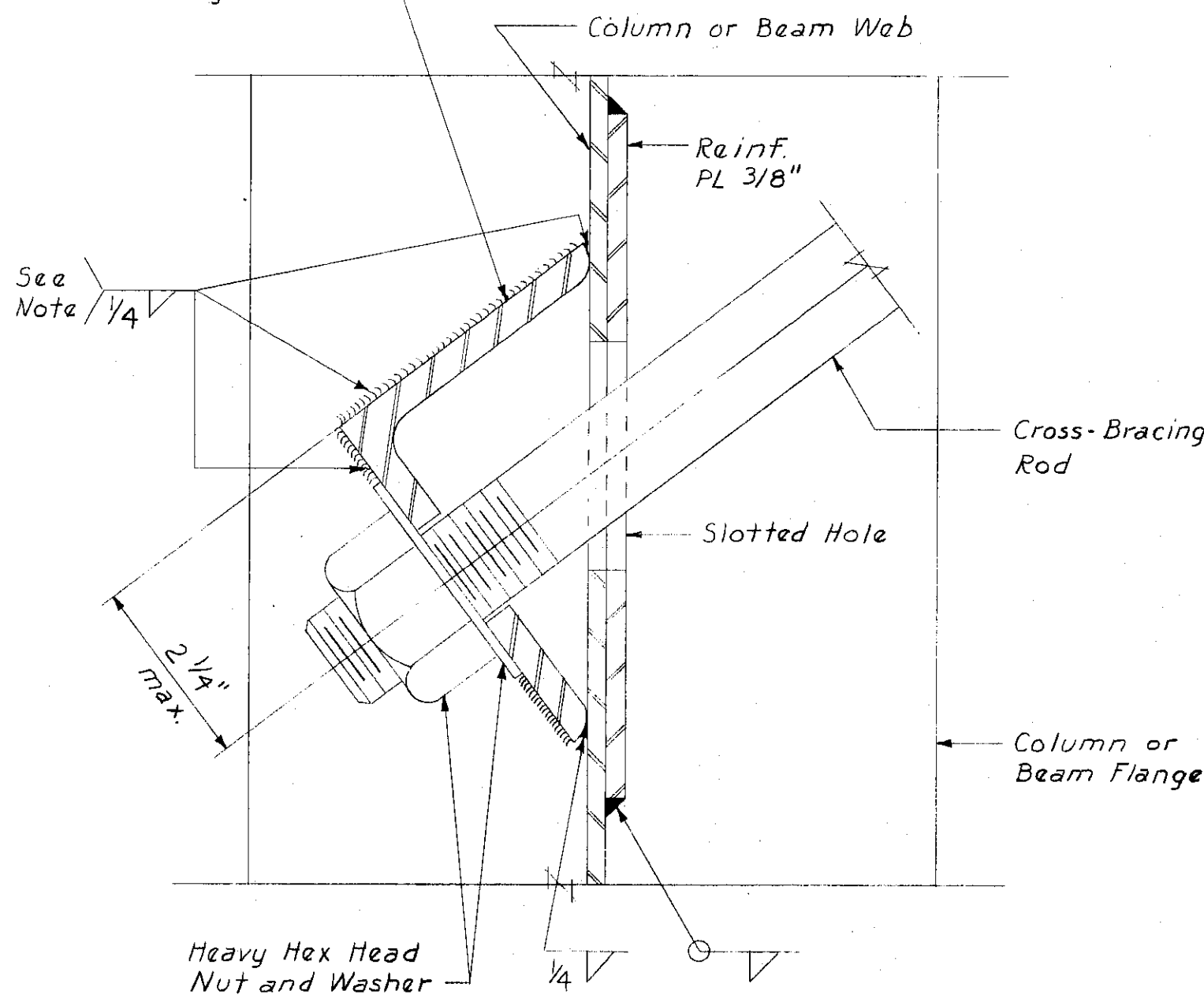
In charge of	Abuamrta	1/4" = 1'-0"	0	2	4	6	8	10	NO.	DATE	REVISION	INIT.
Designed by	JKD	3/8" = 1'-0"	0	1	2	3	4	5	6	7		
Checked by	TMS	1/2" = 1'-0"	1	0	1	2	3	4	5			
Made by												



CLAY SANITARY DISTRICT
OAK ORCHARD SERVICE AREA
OAK ORCHARD WATER POLLUTION CONTROL PLANT

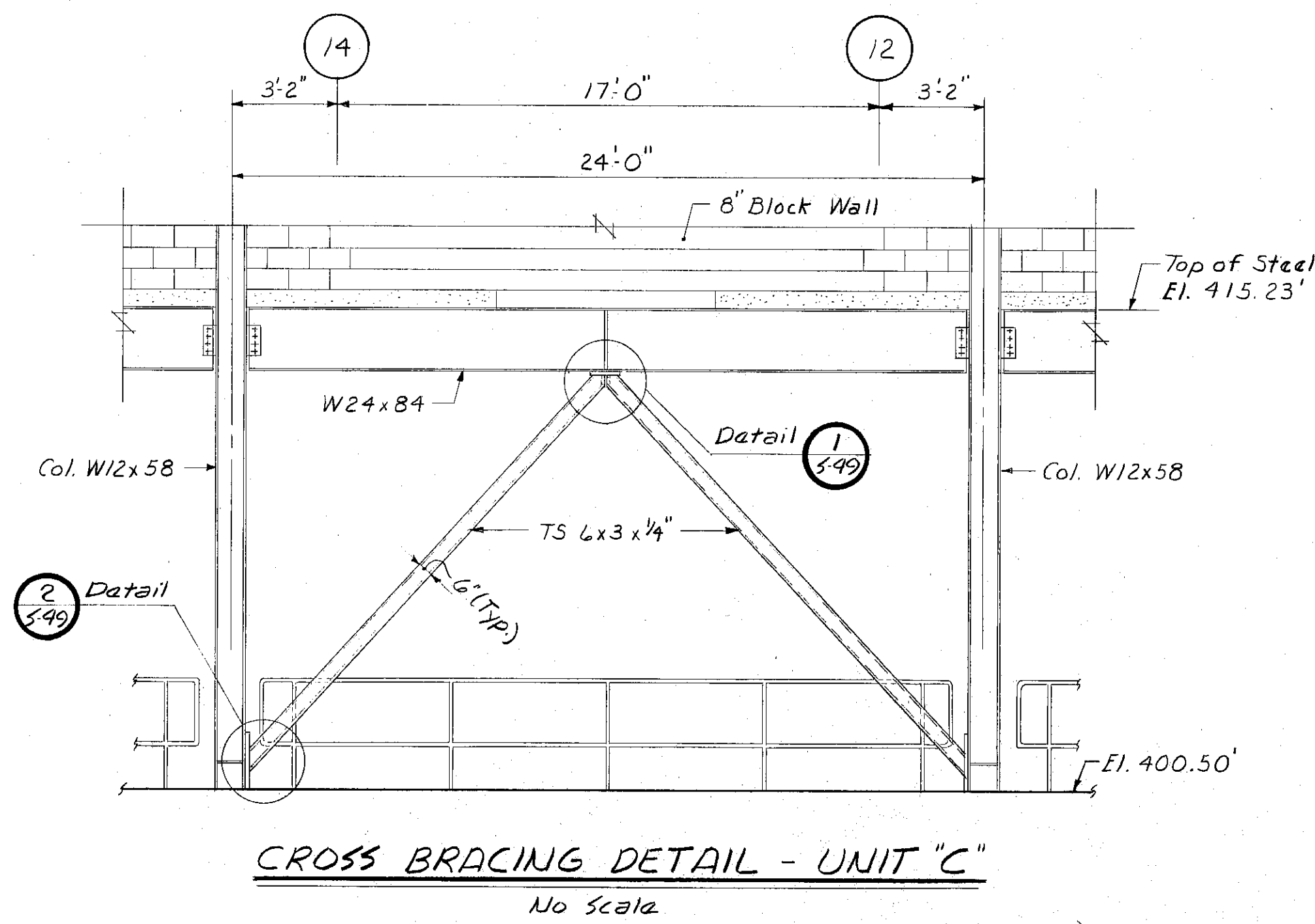
STRUCTURAL
MISCELLANEOUS STRUCTURES
FILE NO. 115.218203F
DATE JULY 1, 1975
9-48

1" ϕ Rods - L 3/8"
 > 1" ϕ Rods - L 1/2"
 Cut to Fit Tight to Web

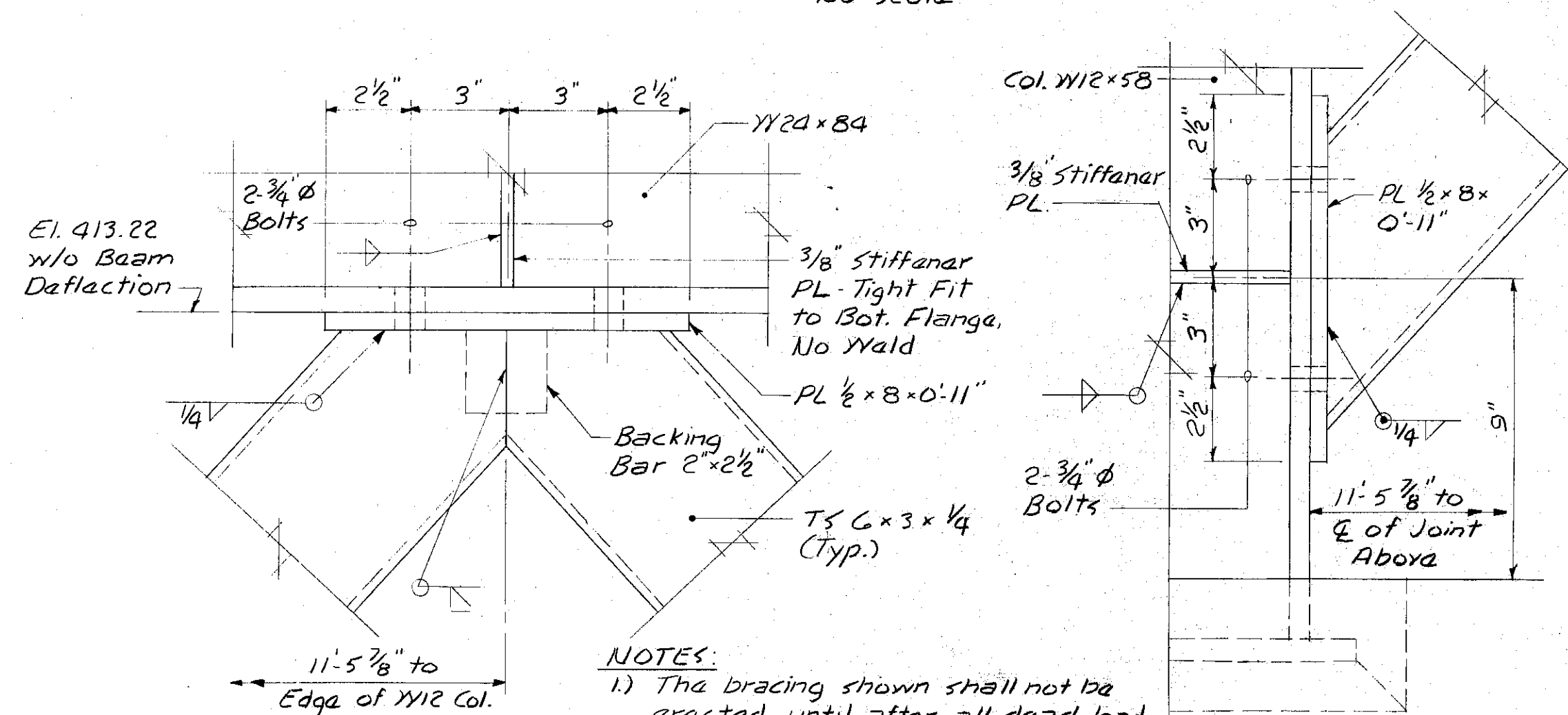


- Notes:
1. Similar detail shall be used for cross-bracing penetrating column flanges.
 2. Do not weld angle to tension flange of beams. Weld angle to web only in this case.

TYPICAL CROSS BRACE DETAIL
 No Scale



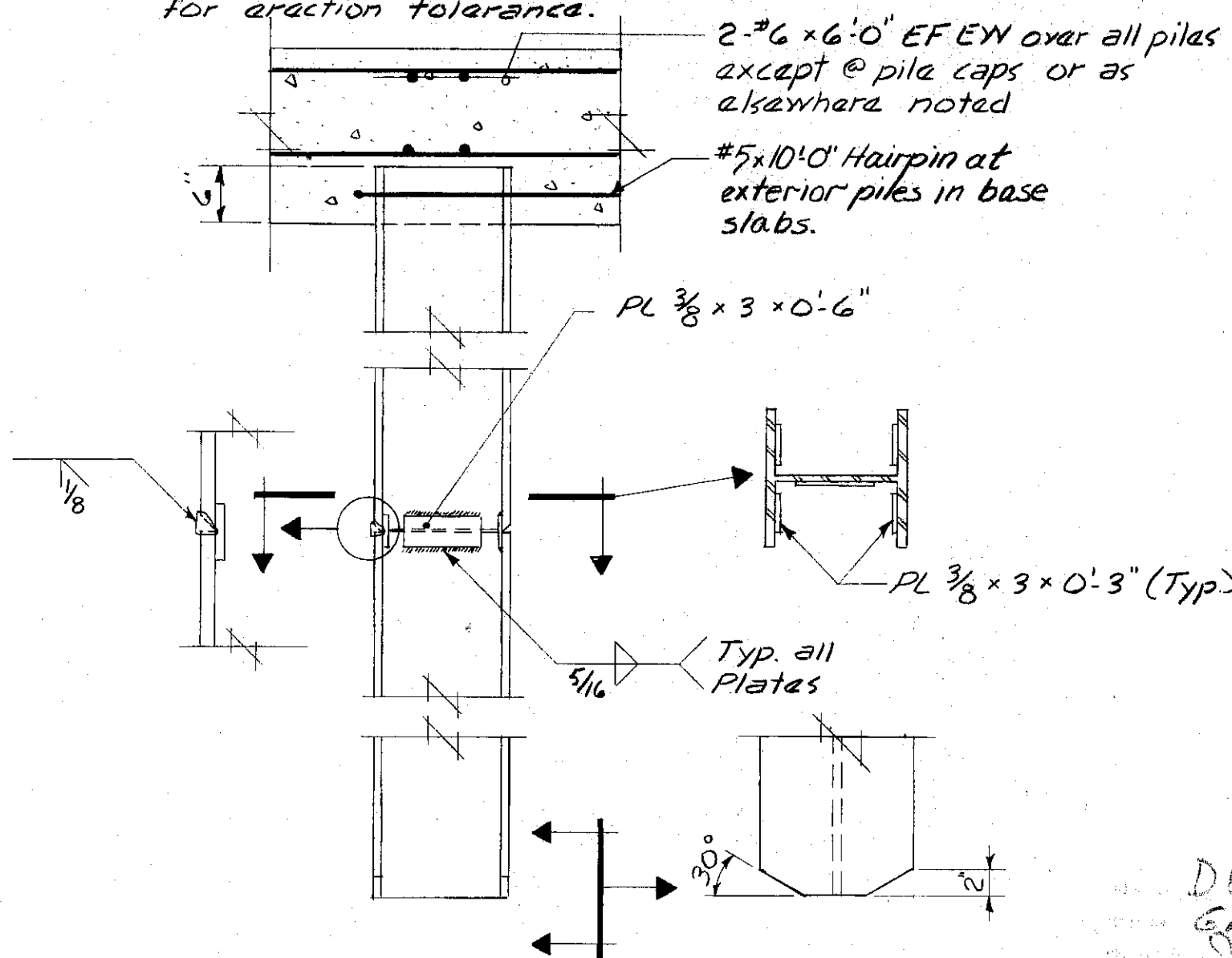
CROSS BRACING DETAIL - UNIT "C"
 No Scale



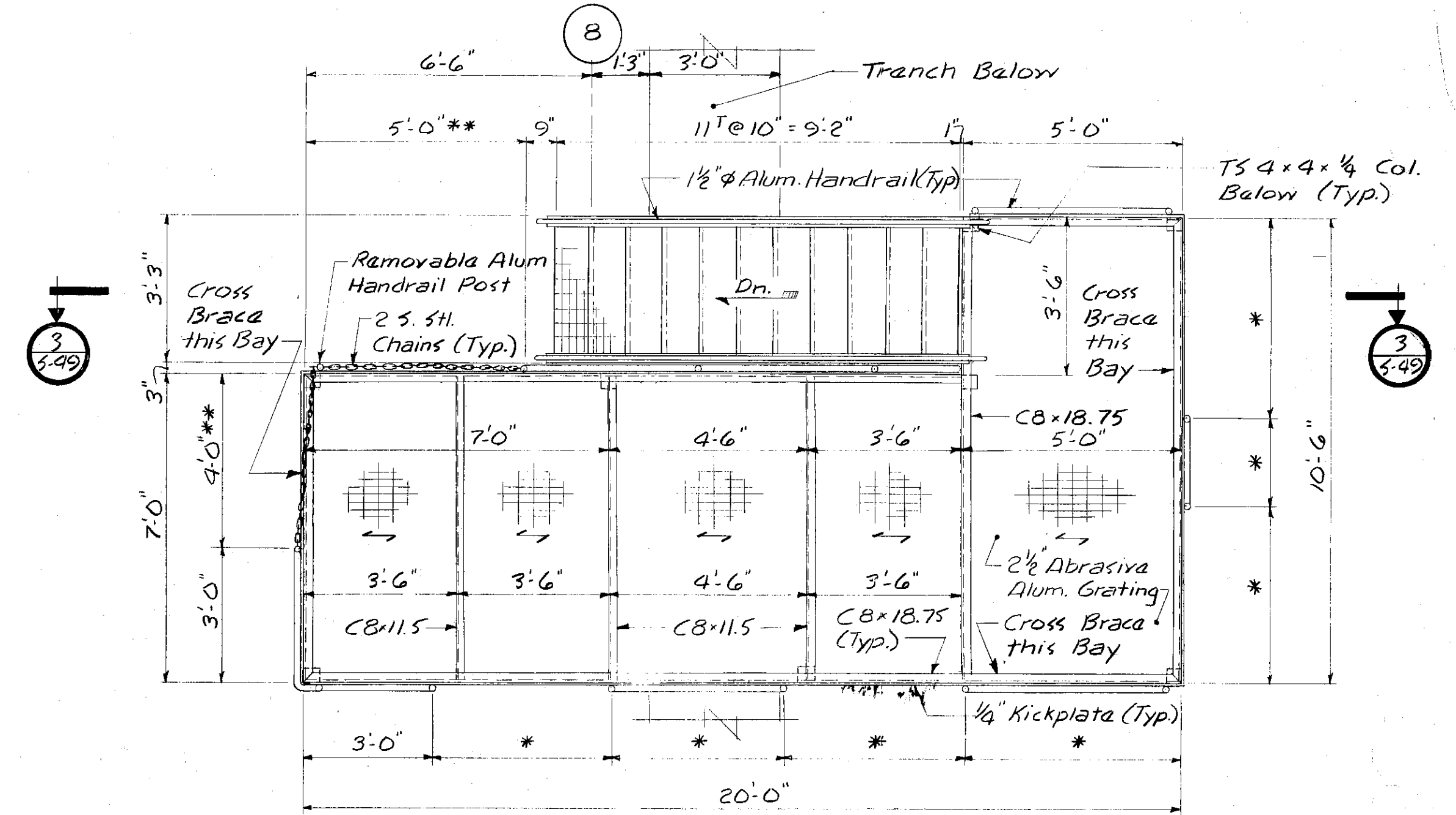
DETAIL 1
 No Scale

DETAIL 2
 No Scale

- NOTES:
- 1) The bracing shown shall not be erected until after all dead load on the W24 beam is in place.
 - 2) The contractor shall verify all dimensions in the field prior to fabrication.
 - 3) Field welds shown are optional with the contractor. The contractor shall provide appropriate means to allow for erection tolerance.

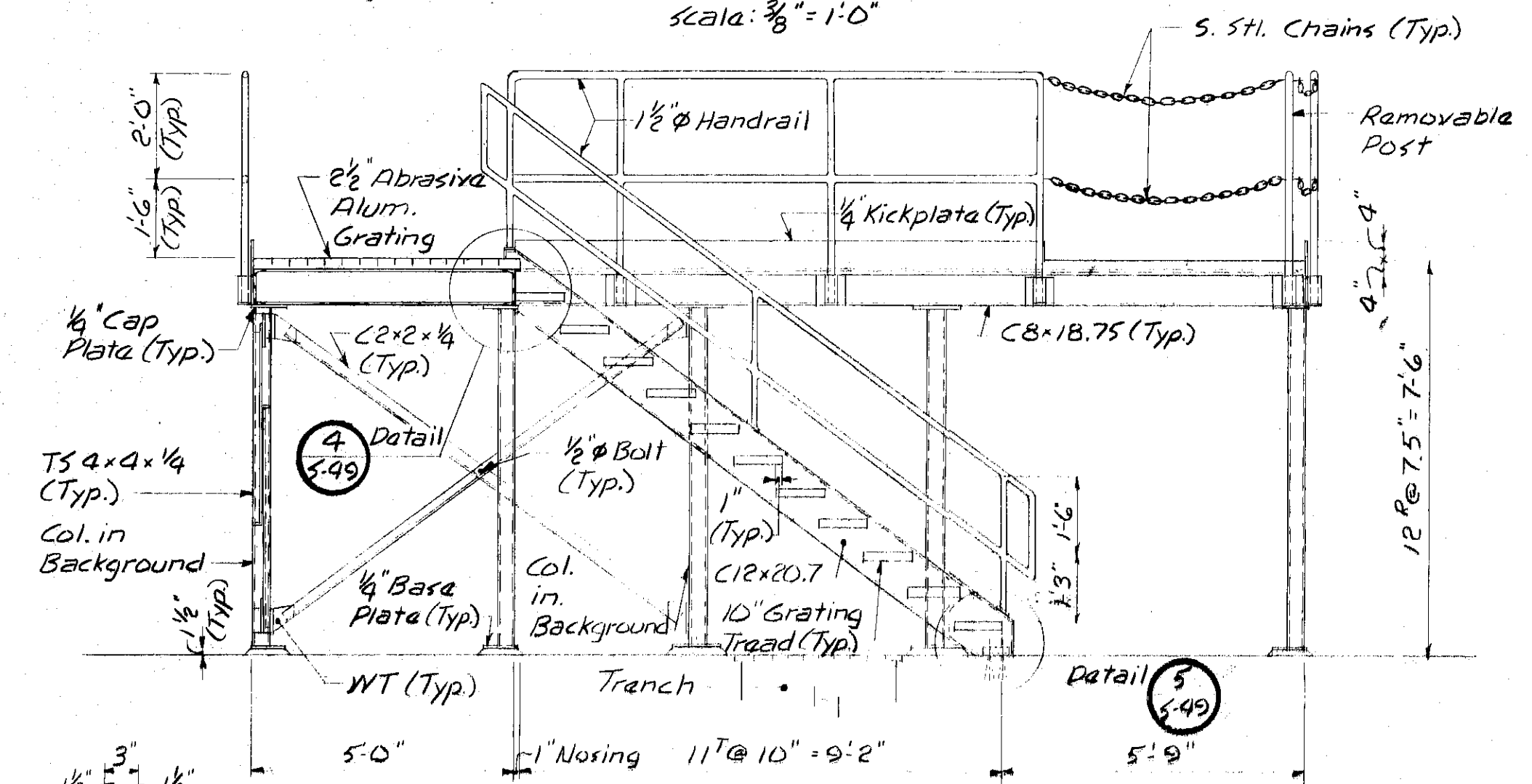


PILE DETAIL
 No Scale



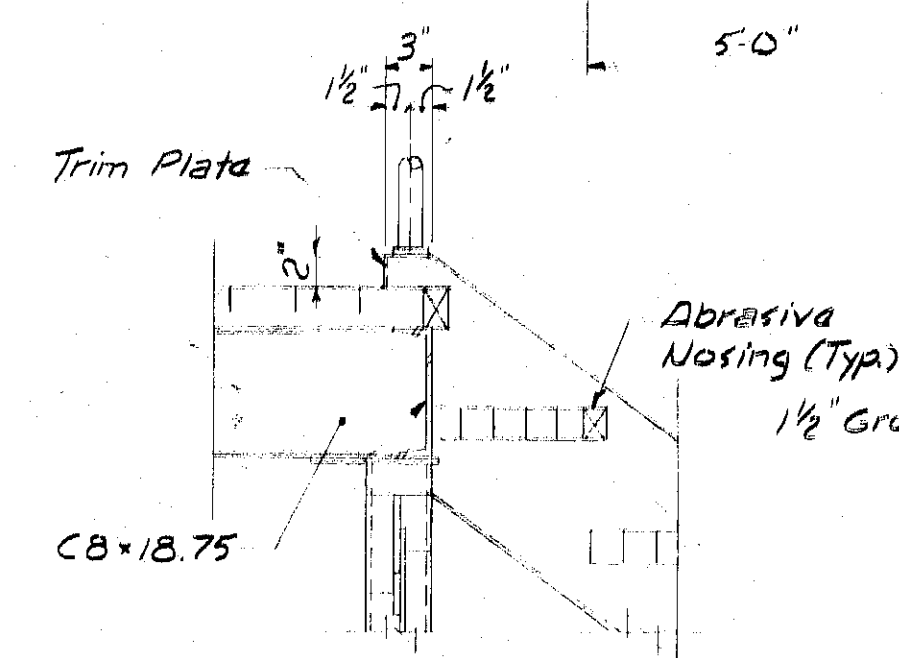
- Notes:
1. All connections to be welded unless noted otherwise.
 2. Exterior channel corners to be mitered & welded.
 3. All steel to have an epoxy coating.
- * Verify dimensions w/ equipment manufacturer.
 ** Cut kickplate flush w/ top of grating.

PLAN - CHEMICAL FEED PLATFORM
 Scale: 3/8" = 1'-0"

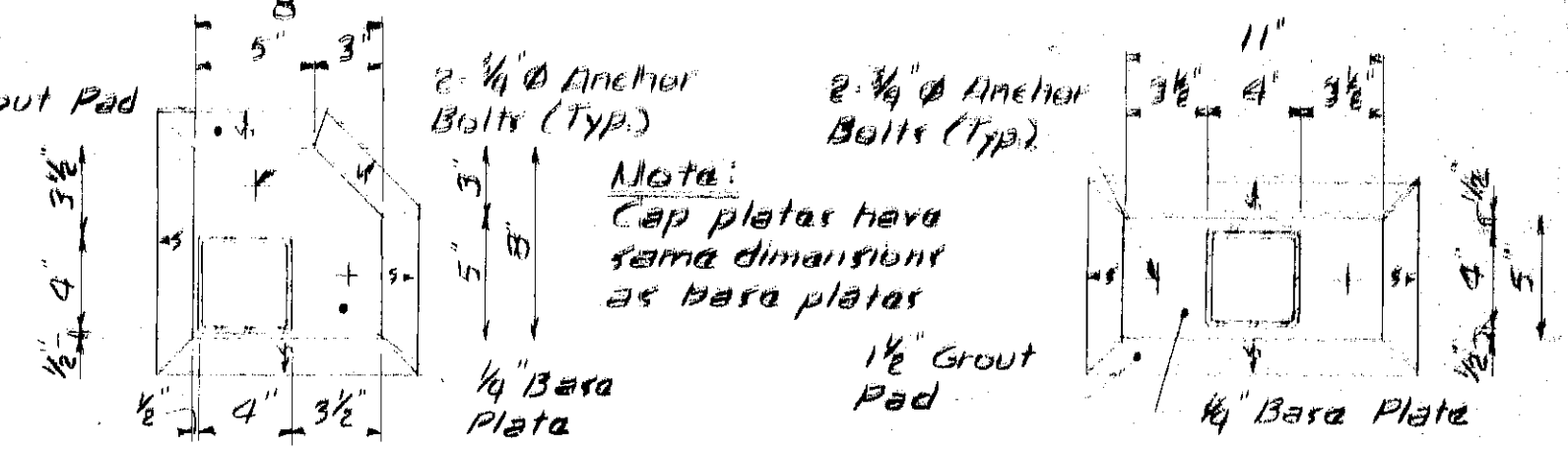


- Note:
 Handrail in background removed for clarity.

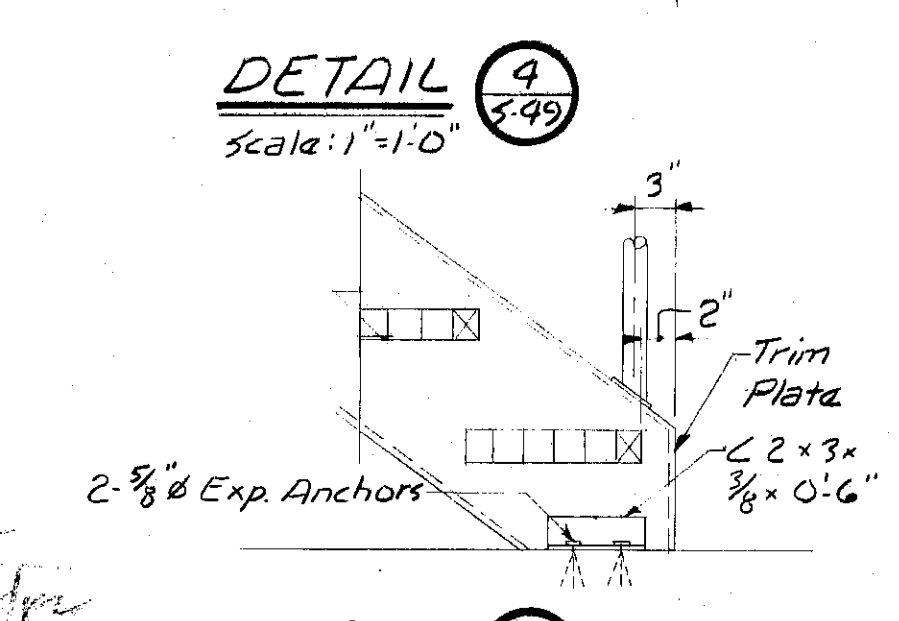
SECTION 3
 Scale: 1/4" = 1'-0"



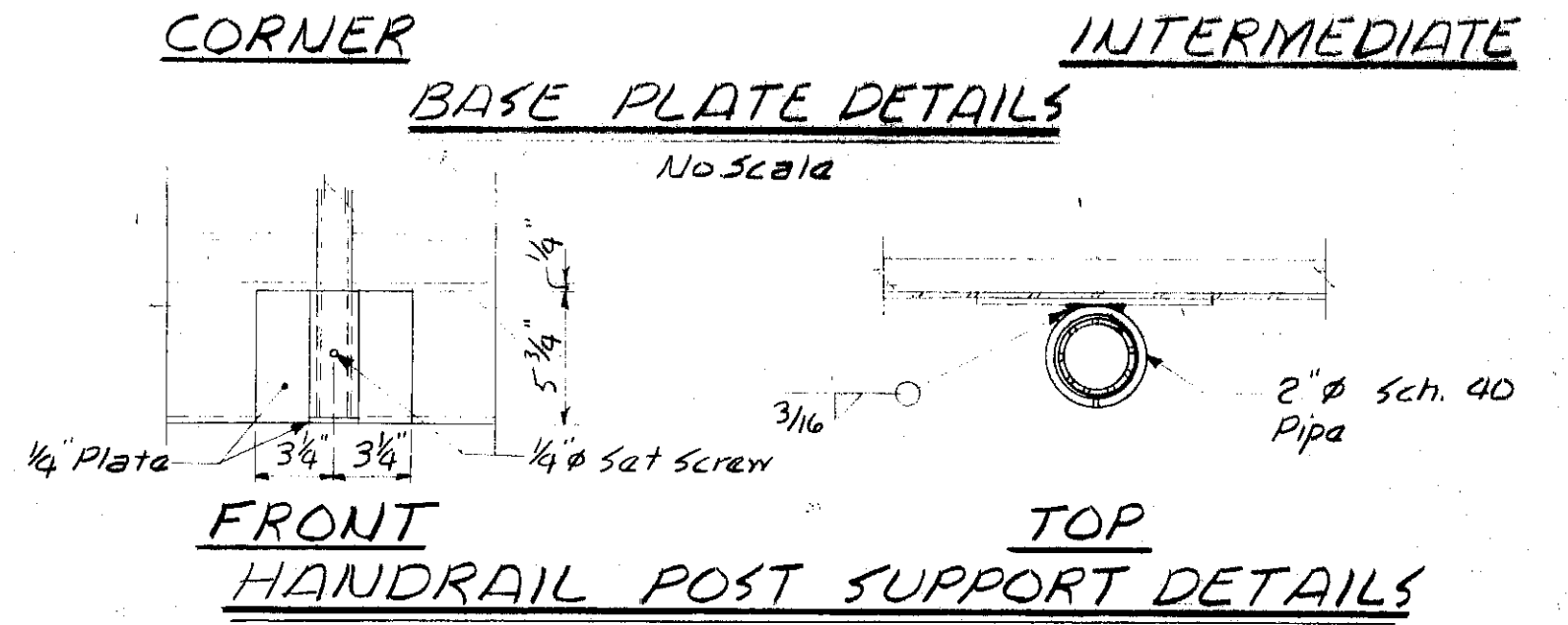
DETAIL 4
 Scale: 1" = 1'-0"



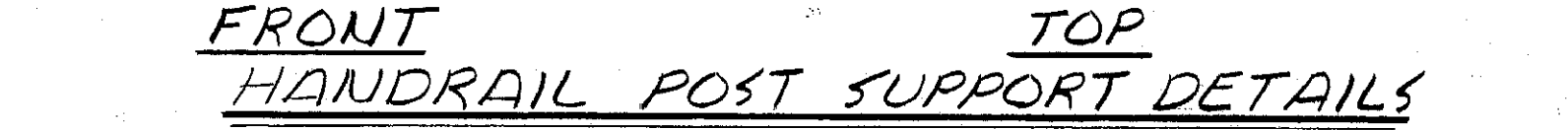
CORNER BASE PLATE DETAILS
 No Scale



DETAIL 5
 Scale: 1" = 1'-0"



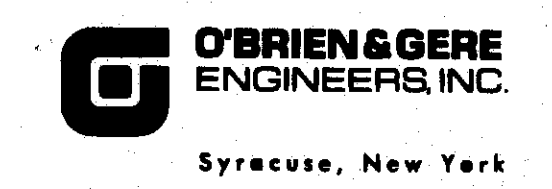
INTERMEDIATE BASE PLATE DETAILS
 No Scale



FRONT HANDRAIL POST SUPPORT DETAILS
 No Scale

DESIGNED BY: *[Signature]*
 To the best of our knowledge and belief, we have prepared these drawings and specifications in accordance with the requirements of the project as shown on the drawings.

In charge of: <i>[Signature]</i>	NO. DATE	REVISION	INIT.
Designed by: <i>[Signature]</i> Checked by: <i>[Signature]</i>	1 0 1 2 3 4 5 6 7		
Made by: <i>[Signature]</i>	1 6 0 1 2		
	2/19/78	General Revisions	<i>[Signature]</i>

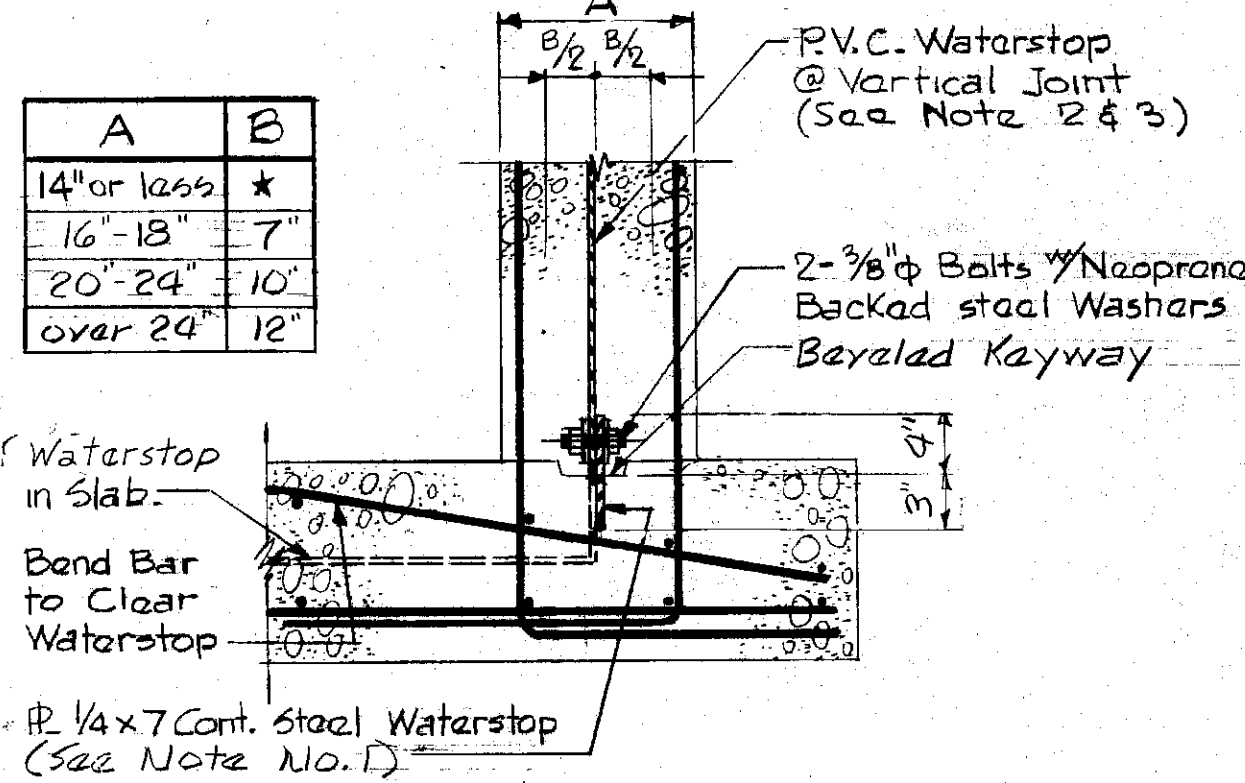


CLAY SANITARY DISTRICT
 OAK ORCHARD SERVICE AREA
 OAK ORCHARD WATER POLLUTION CONTROL PLANT

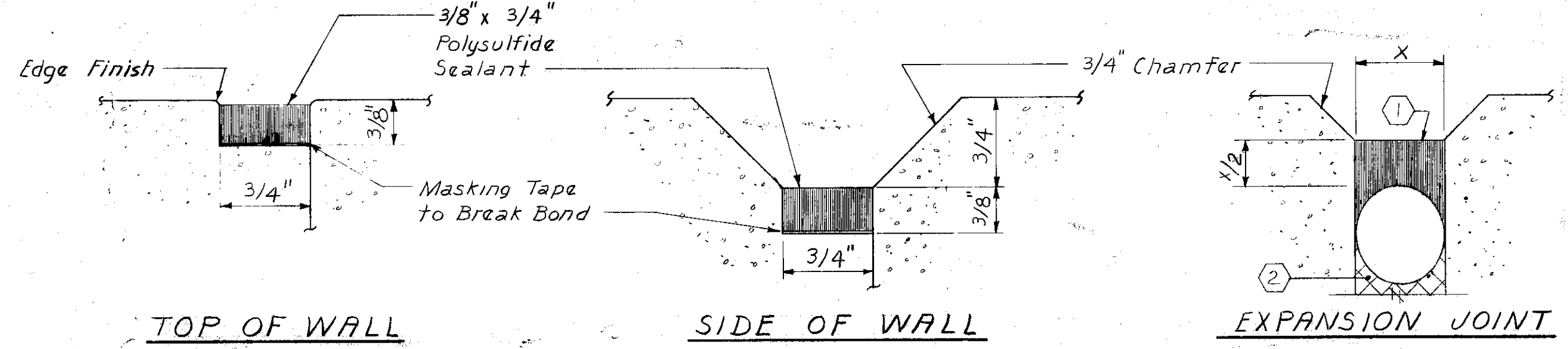
STRUCTURAL
 MISCELLANEOUS DETAILS

FILE NO. 115.219.213F
 DATE JULY 1, 1975
 S-49

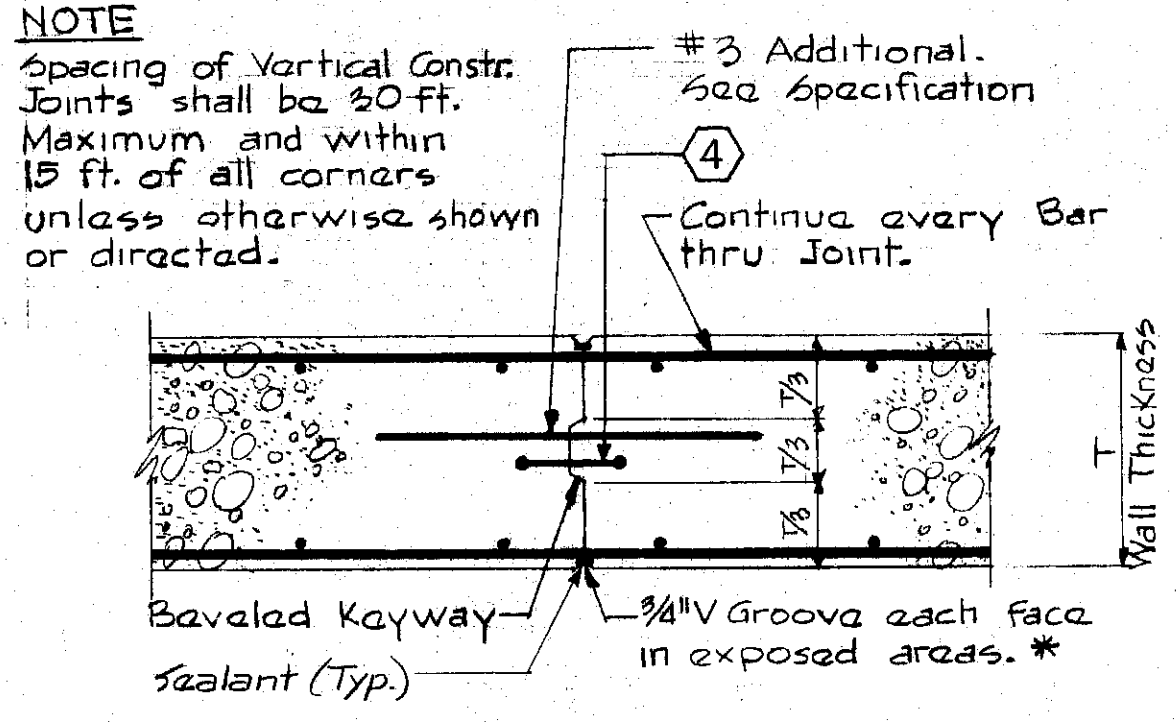
- Notes:**
1. Clean all rust, scale & foreign matter from steel waterstop.
 2. Finish the slab flush. After conc. has stiffened sufficiently such that it's no longer plastic remove $\frac{3}{4}$ " of conc. to form key as shown.
 3. Melt down all fins & bulbs to provide a uniform surface for bonding the P.V.C. to steel waterstop.
 4. Attach P.V.C. waterstop with an approved adhesive such as B. F. G. Construction adhesive 104 or 106 as manufactured by B. F. GOODRICH Co. or NERVA KOTE adhesive as manufactured by RUBBER & PLASTICS COMPOUND Co. or an approved equal.
 5. Construction joint shall be roughened and cleaned of all laitance, loose mortar and foreign matter.
- * No keyway is required for walls 14" or less in thickness where a steel plate waterstop is required.



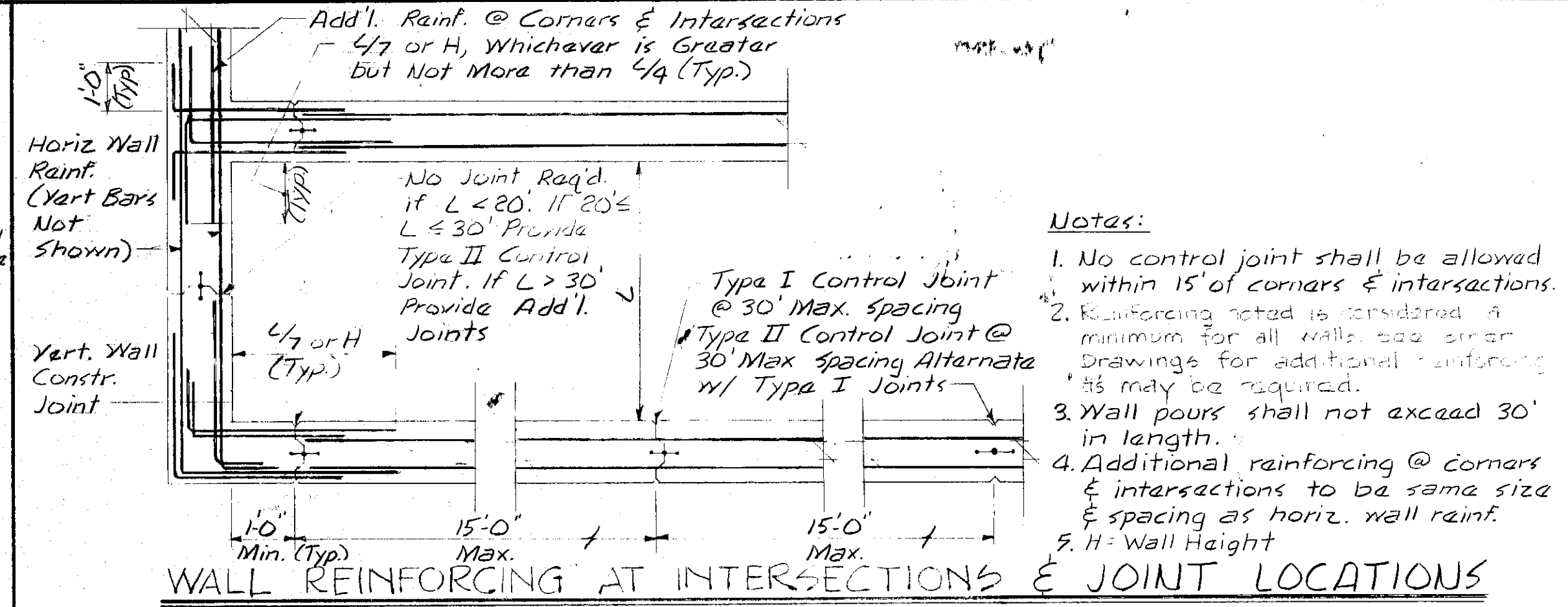
TYPICAL HORIZONTAL JOINT



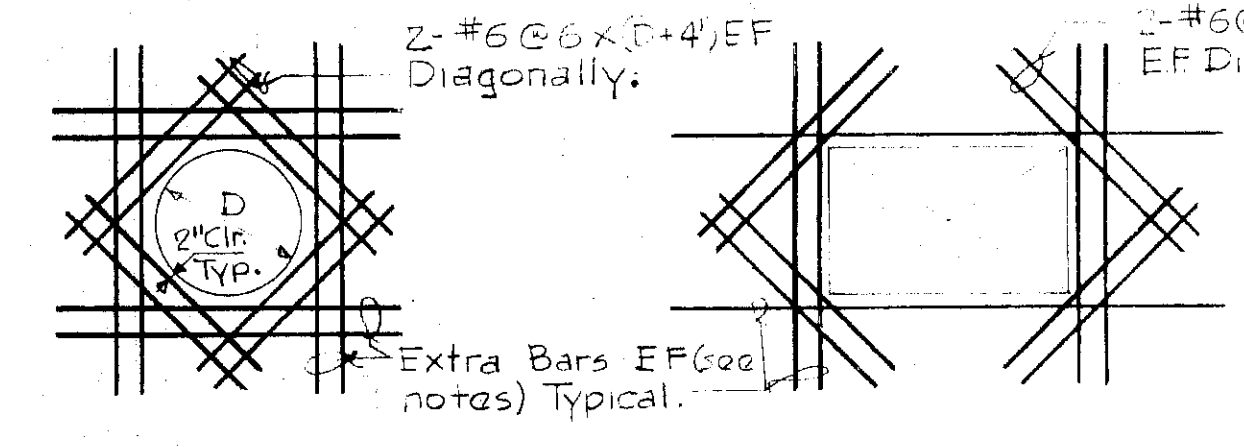
TYPICAL SEALANT DETAILS



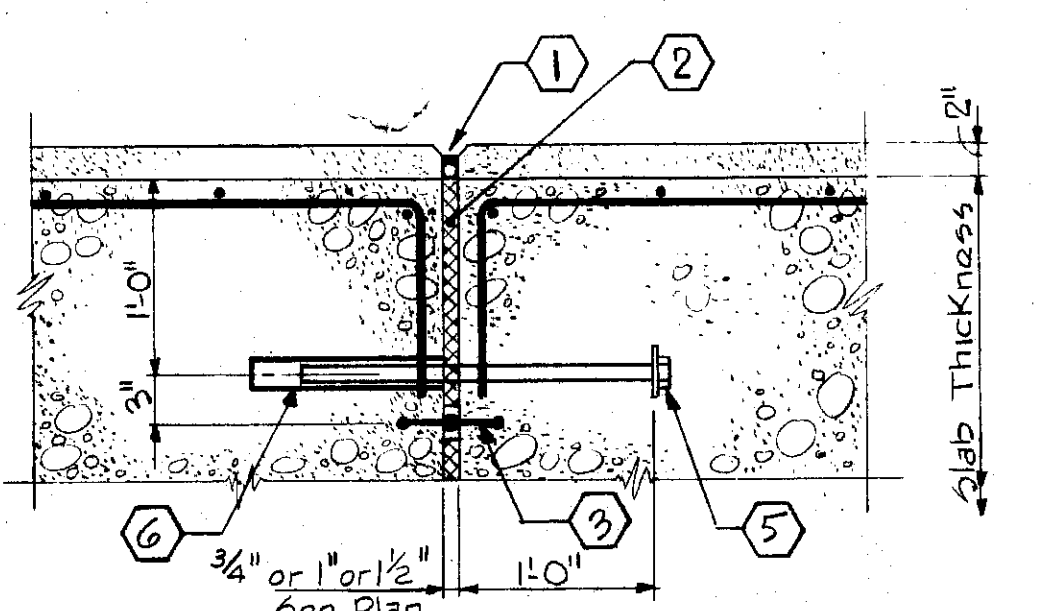
VERTICAL CONSTRUCTION JOINT



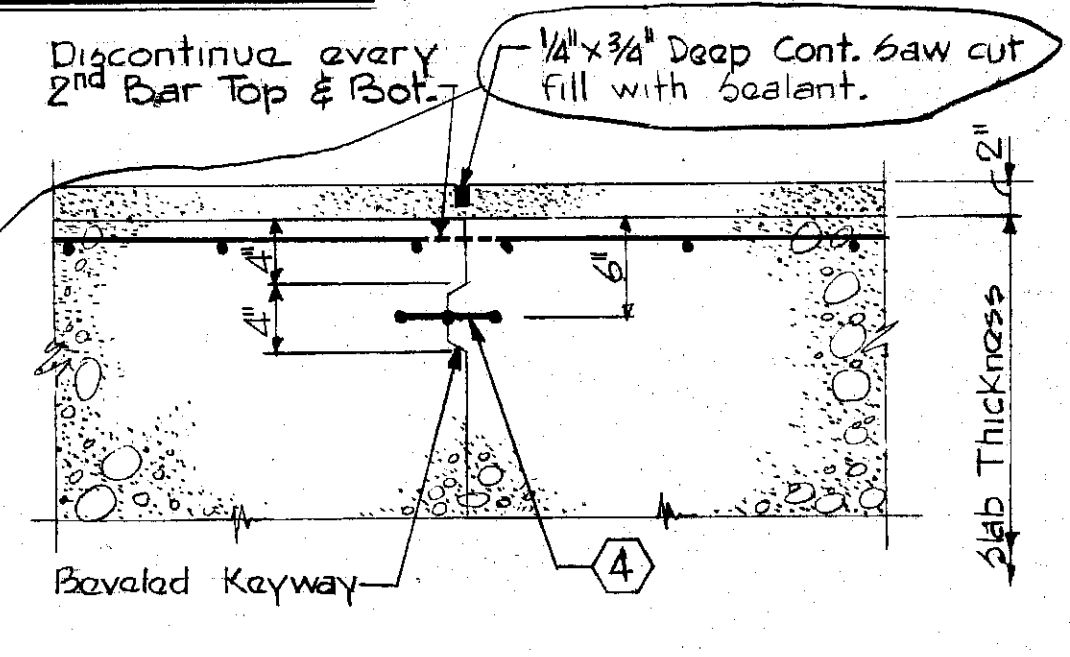
WALL REINFORCING AT INTERSECTIONS & JOINT LOCATIONS



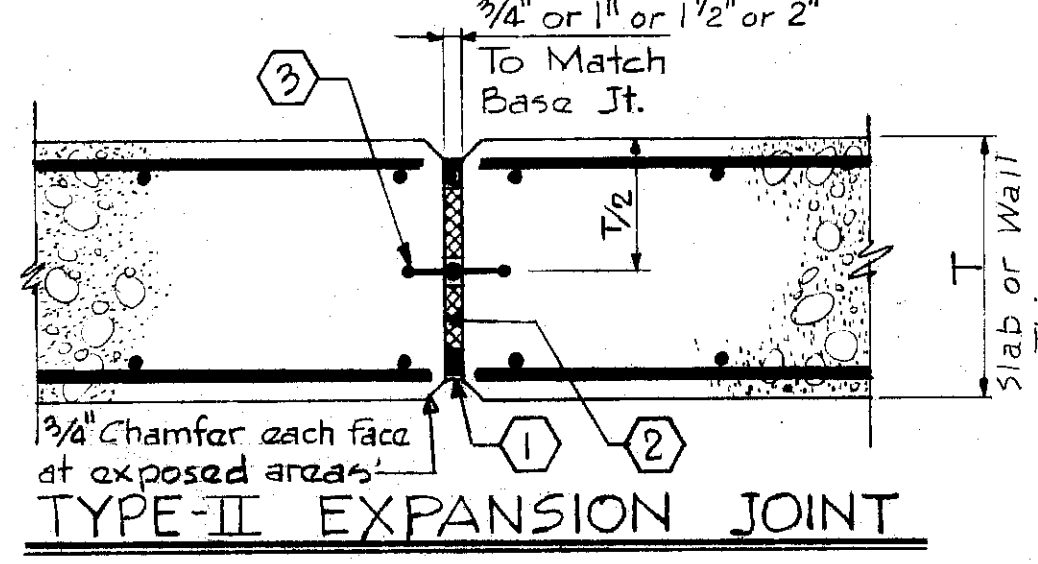
ADDITIONAL REINFORCING AT WALL AND SLAB OPENINGS



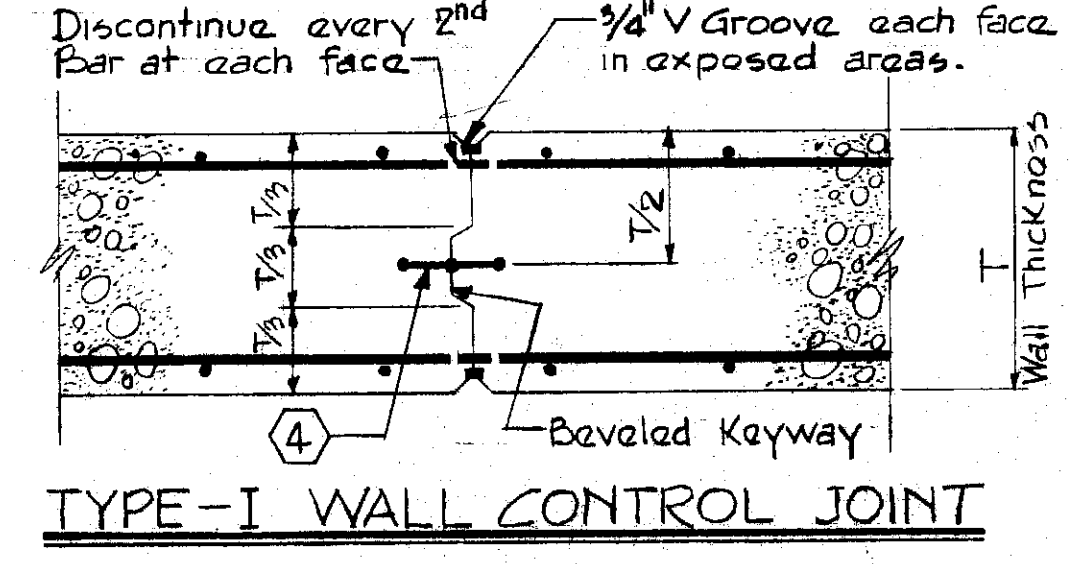
TYPE-I EXPANSION JOINT



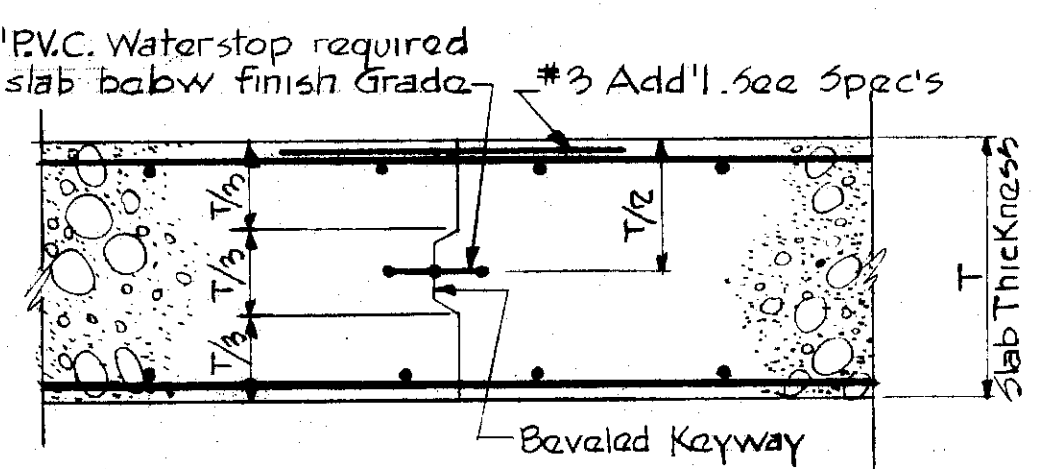
TYPE-II SLAB CONTROL JOINT



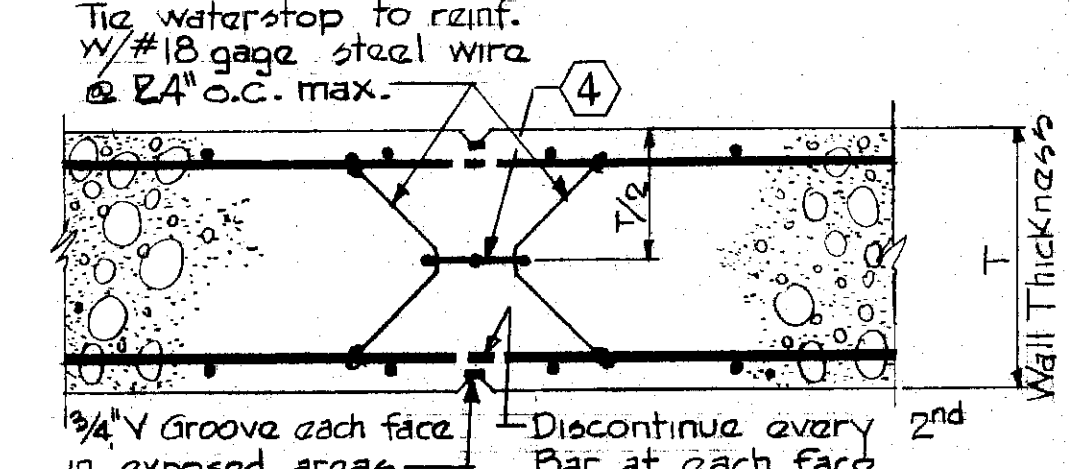
TYPE-II EXPANSION JOINT



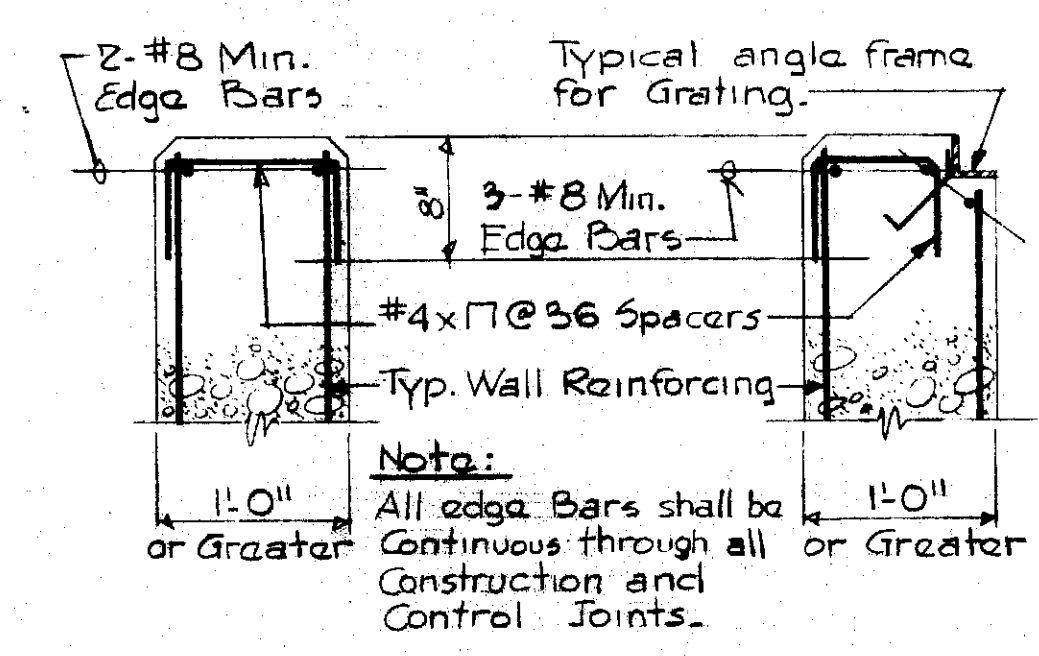
TYPE-I WALL CONTROL JOINT



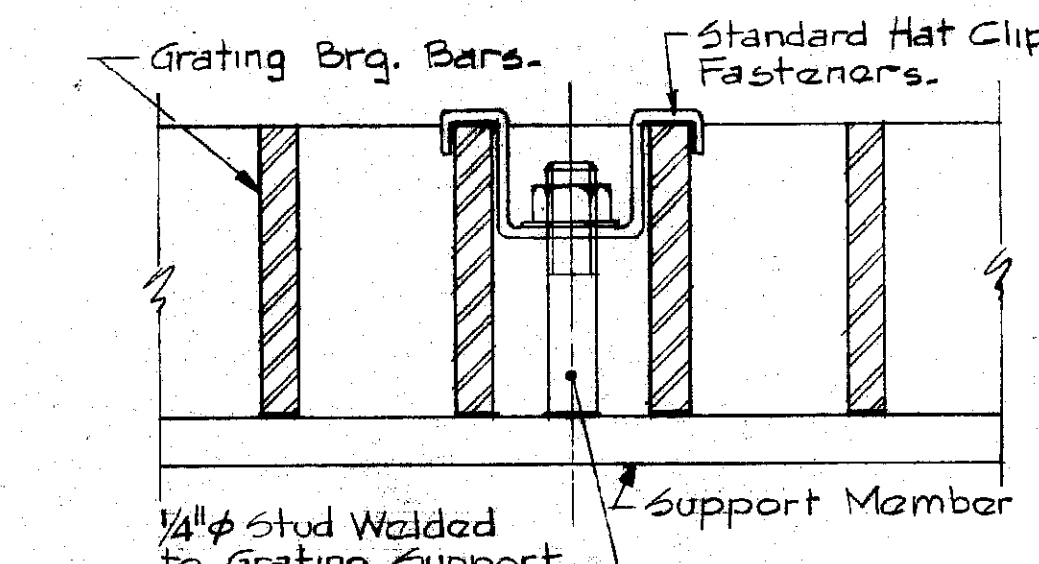
SLAB CONSTRUCTION JOINT



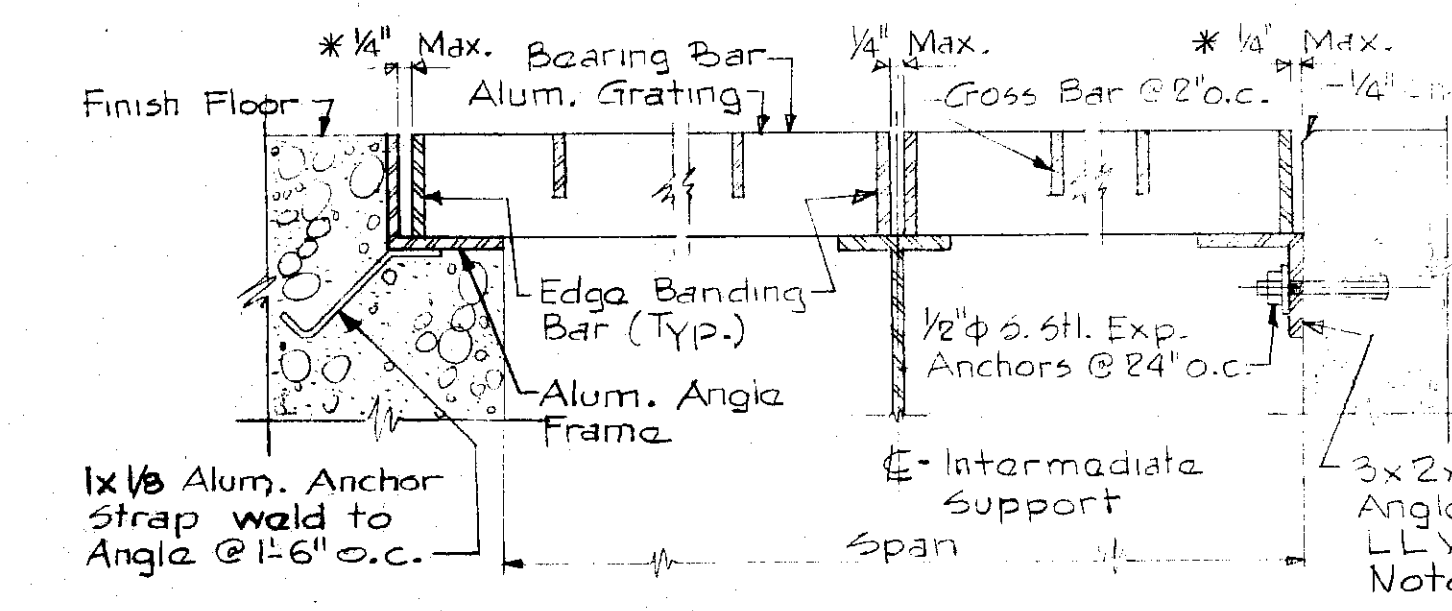
TYPE-II WALL CONTROL JOINT



TOP OF WALL DETAILS



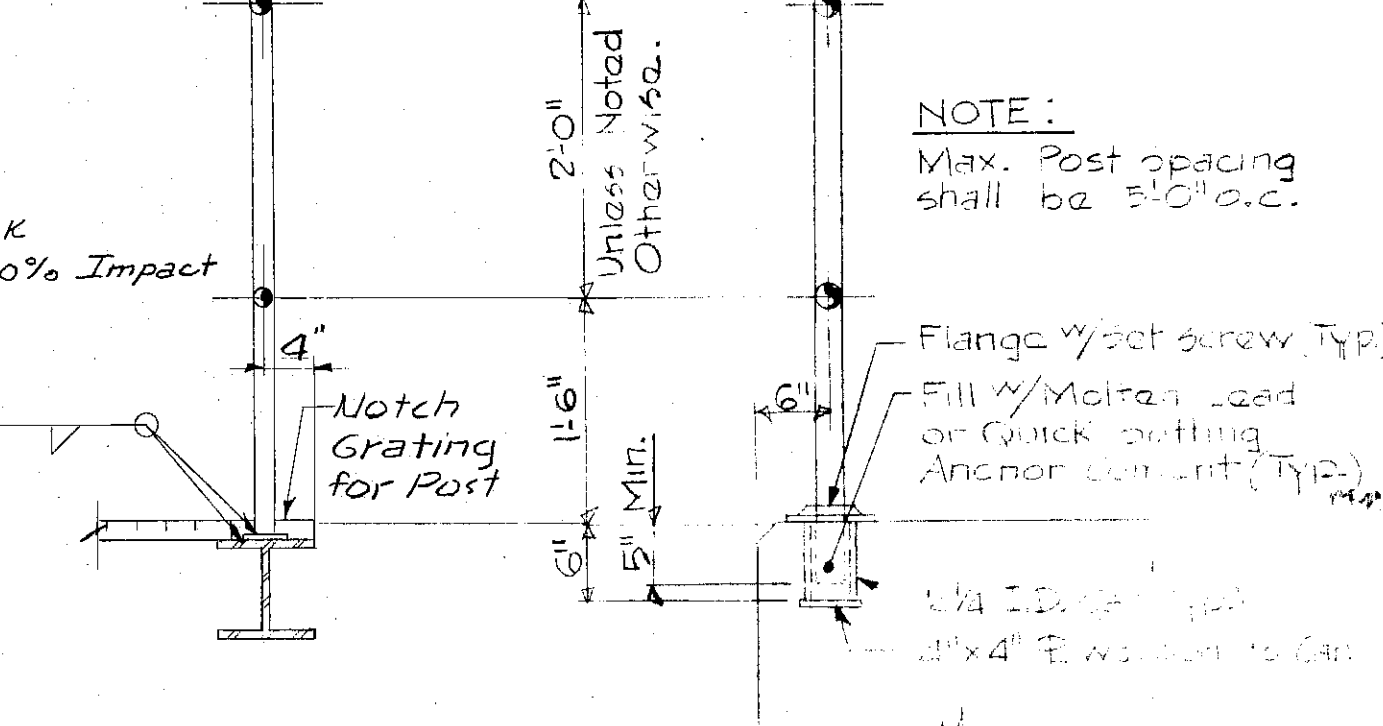
TYPICAL GRATING HOLD DOWN DETAIL



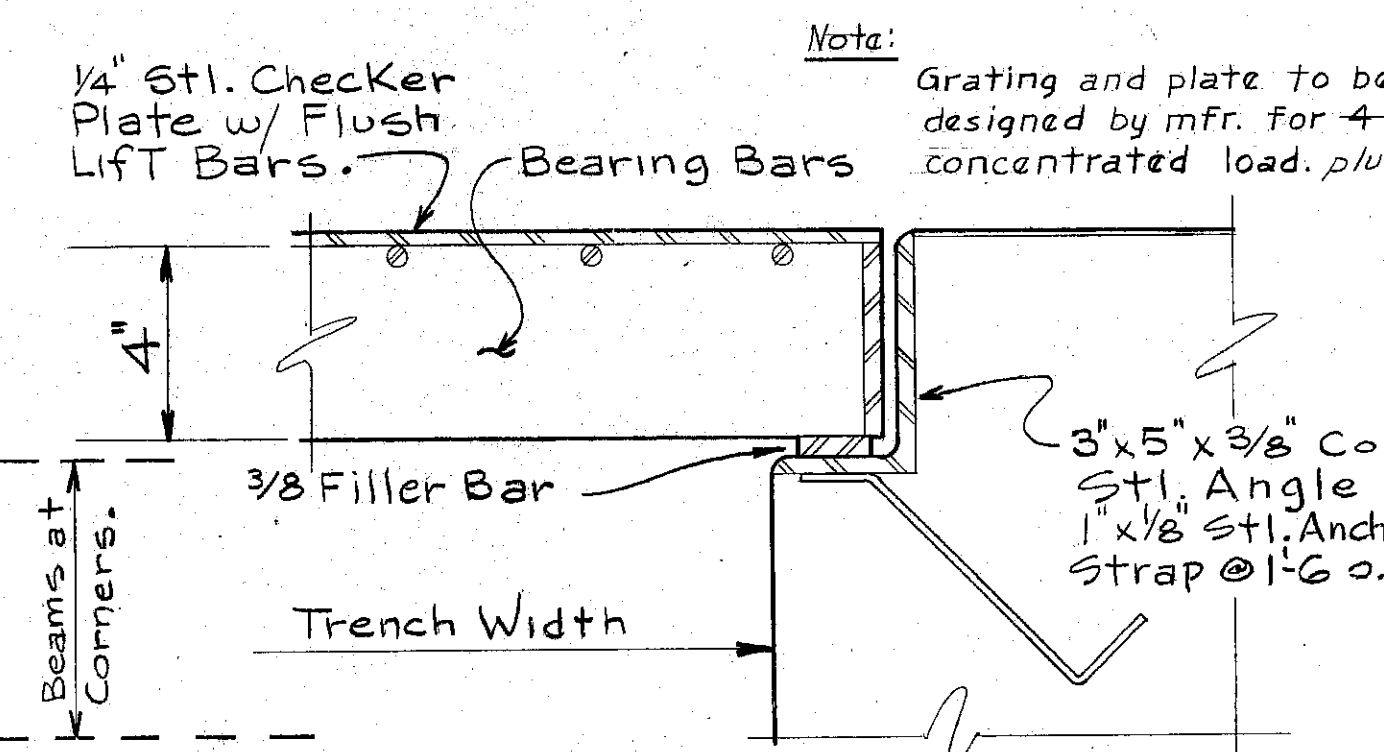
ALUMINUM GRATING DETAIL

On Sheet S-50, Trench Cover Detail, Handrail Details, Add The Following Notes:

"The 2 1/4" I.D. Can And 4" x 4" PL Welded To Can Shall Be Galvanized"
 "Handrail Posts On A 6" High Curb Shall Have A Galvanized Pipe Sleeve And Plate Assembly And The Total Depth Shall Be 8."



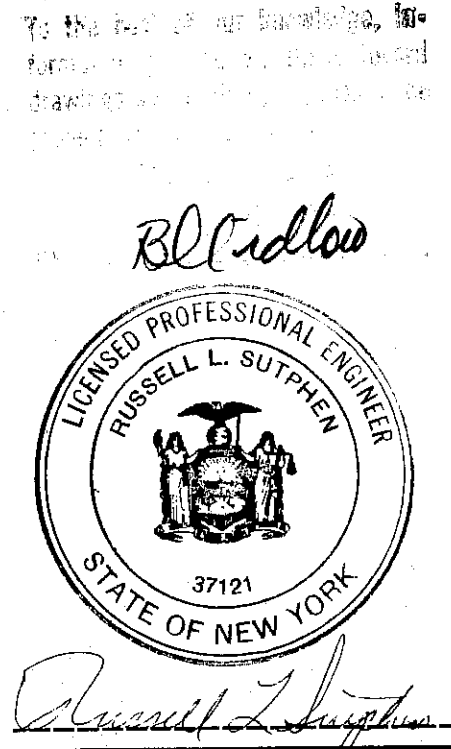
HANDRAIL DETAILS



TRENCH COVER DETAIL

Scale: 3" = 1'-0"

- LEGEND:**
- 1 Sealant w/ Backing Rod *
 - 2 Expansion Joint Filler Material Sponge Rubber Type **
 - 3 P.V.C. Waterstop
 - 4 P.V.C. Waterstop
 - 5 1/2" Bolt with 4" x 4" PL @ 2'-0" o.c.
 - 6 1" x 0'-9" Galvanized Pipe with Plugged End.
- * At 1/2" Expansion Joints Provide Compression Seal Instead of Backer Rod & Sealant. Compression Seals shall be sized for joint width varying from 1/4" to 3/4". Groove Configuration, Adhesives and Installation Procedure shall conform to Manufacturers Recommendations.
- ** At Expansion Joints in Gallery Slabs & Walls, use Self-Expanding Cork Filler Material.



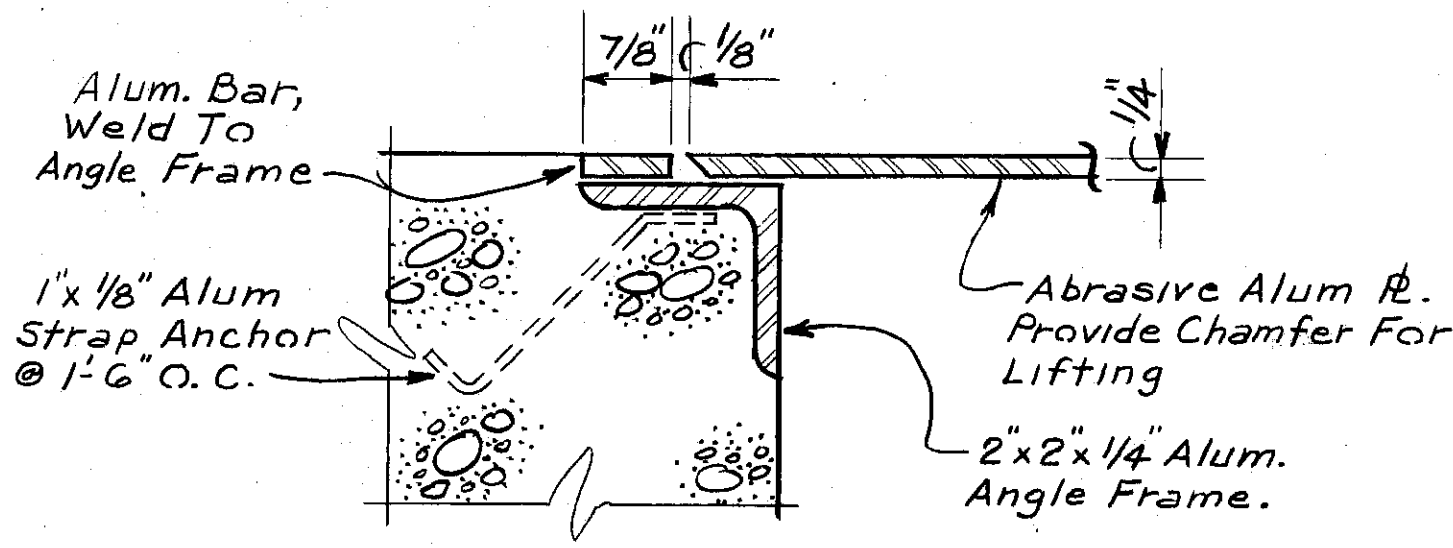
NO.	DATE	REVISION	INT.
1	2/14/78	General Revisions	RS
2	3/14/77	General Revisions	RS

O'BRIEN & GERE ENGINEERS, INC.
 Syracuse, New York

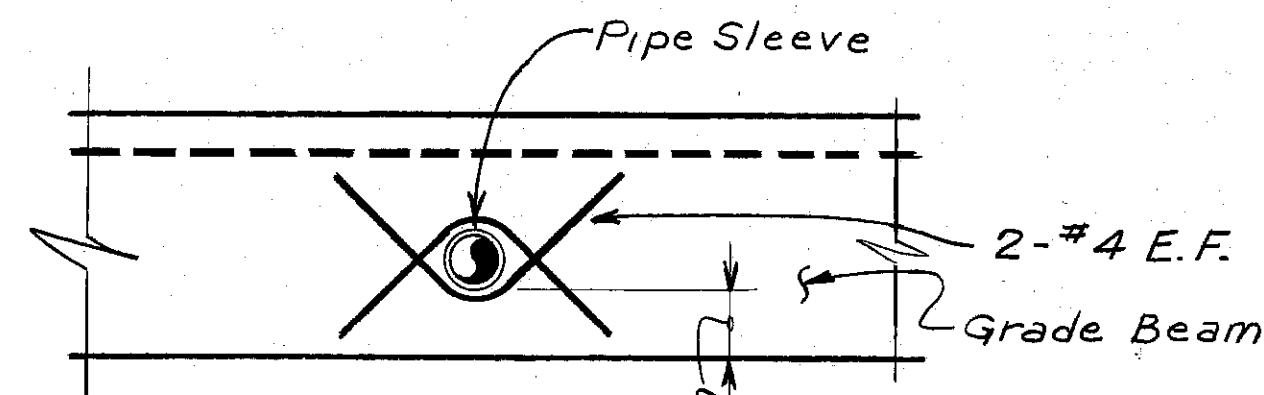
CLAY SANITARY DISTRICT
OAK ORCHARD SERVICE AREA
OAK ORCHARD WATER POLLUTION CONTROL PLANT

MISCELLANEOUS DETAILS

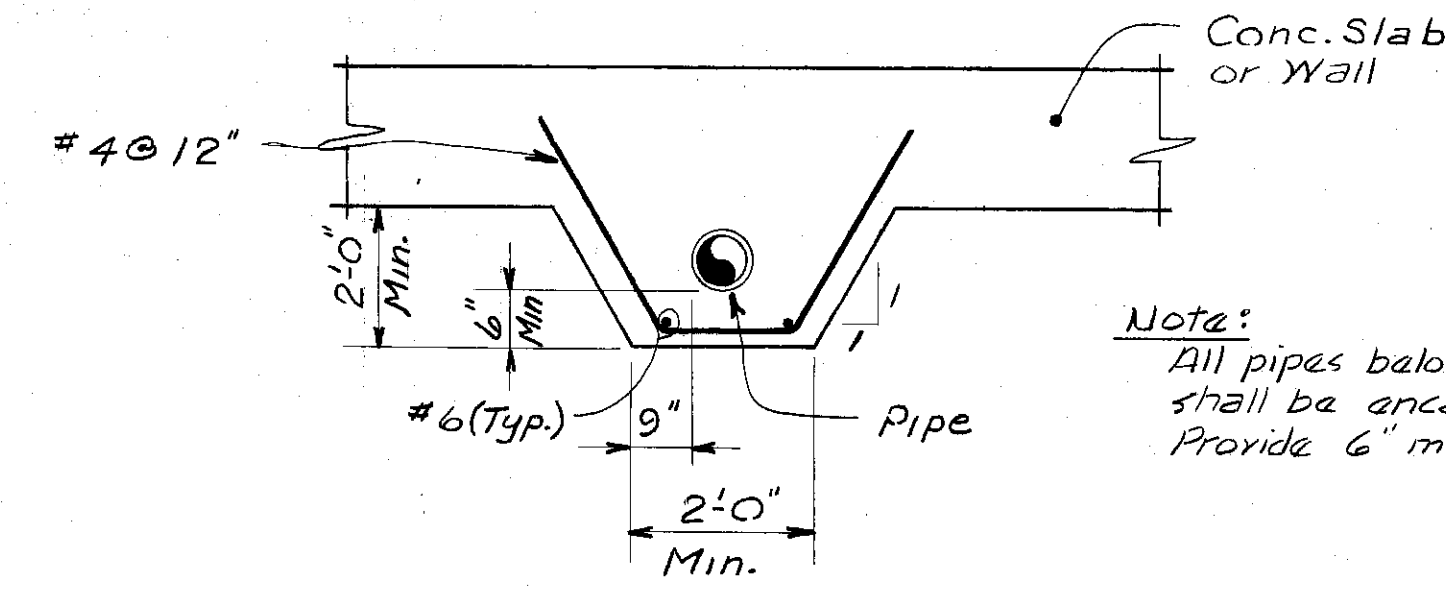
115.219.205F
 JULY 1, 1975
 S-50



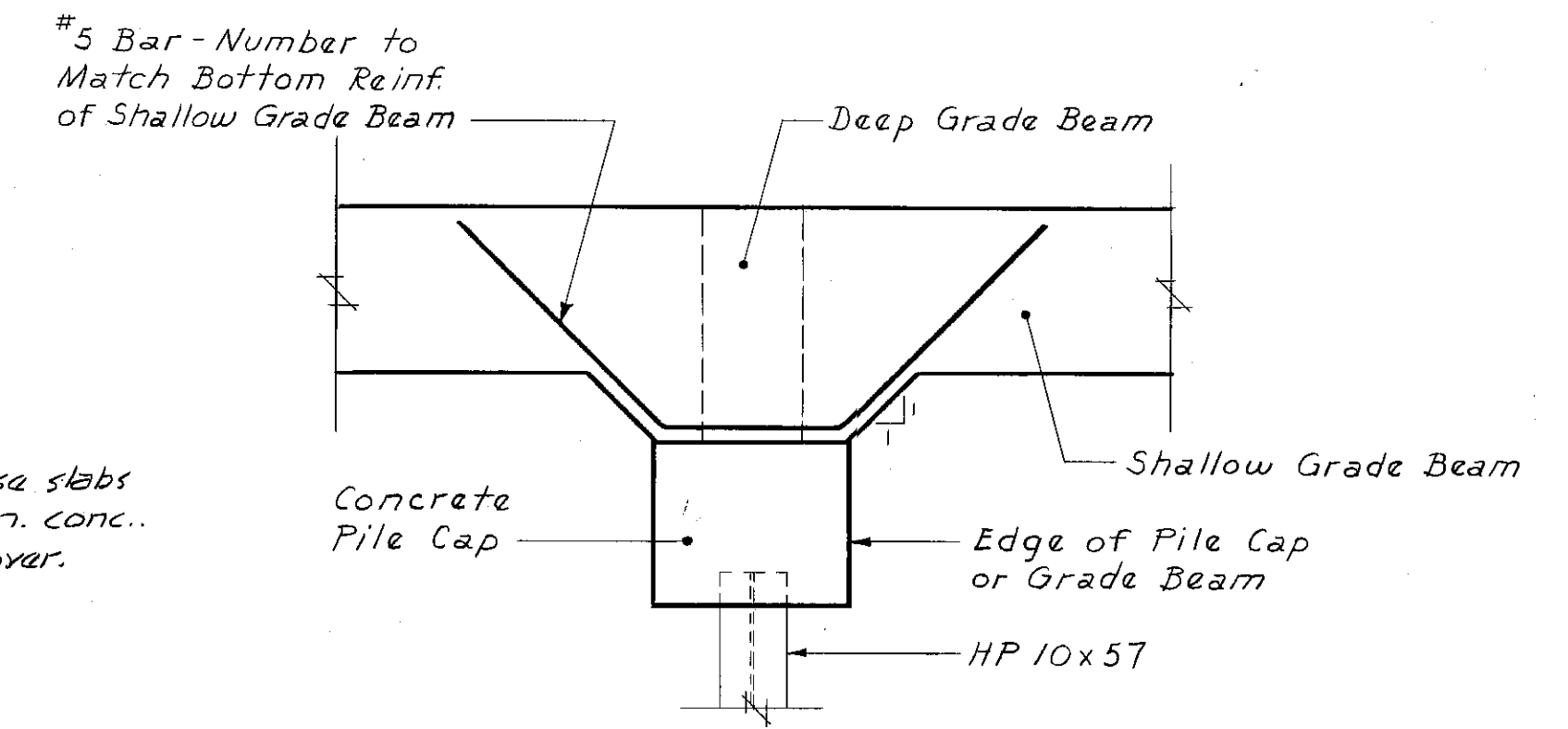
TYPICAL ALUMINUM PLATE DETAIL
No Scale



PIPE THRU GRADE BEAM
No Scale

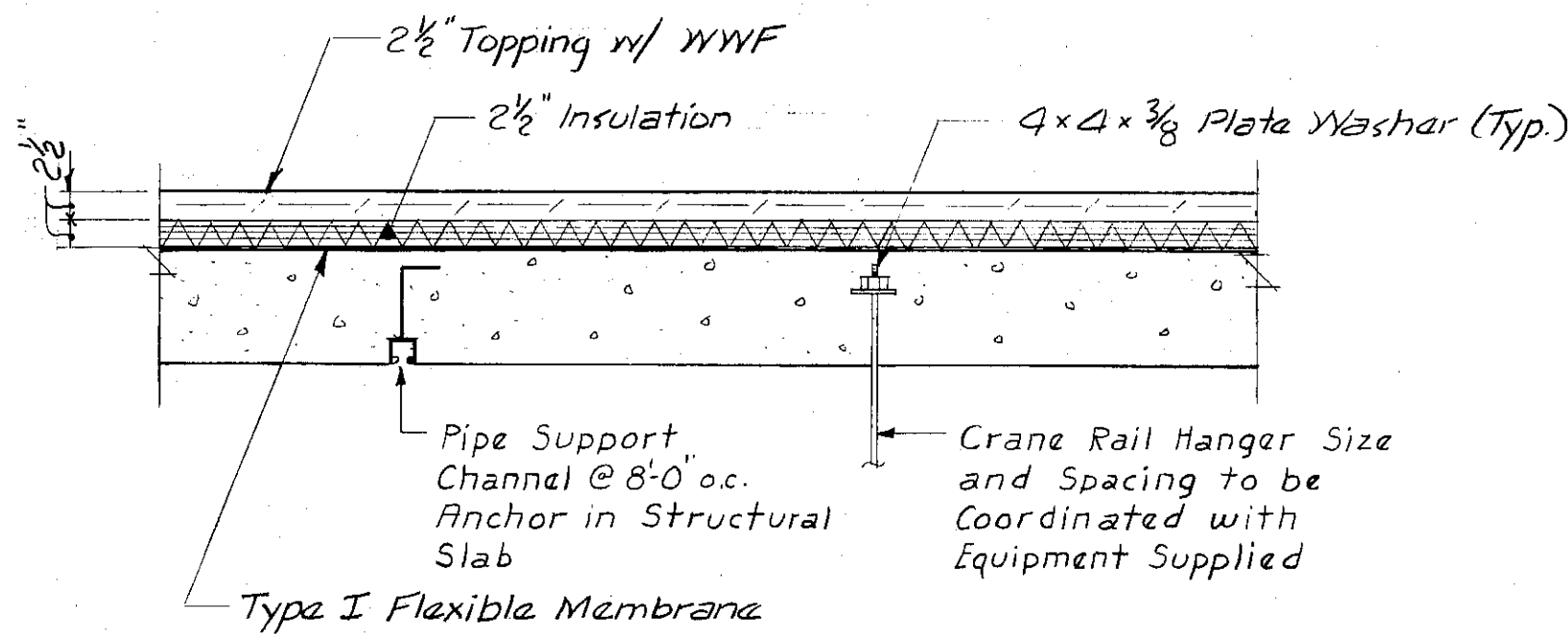


PIPE ENCASEMENT
No Scale

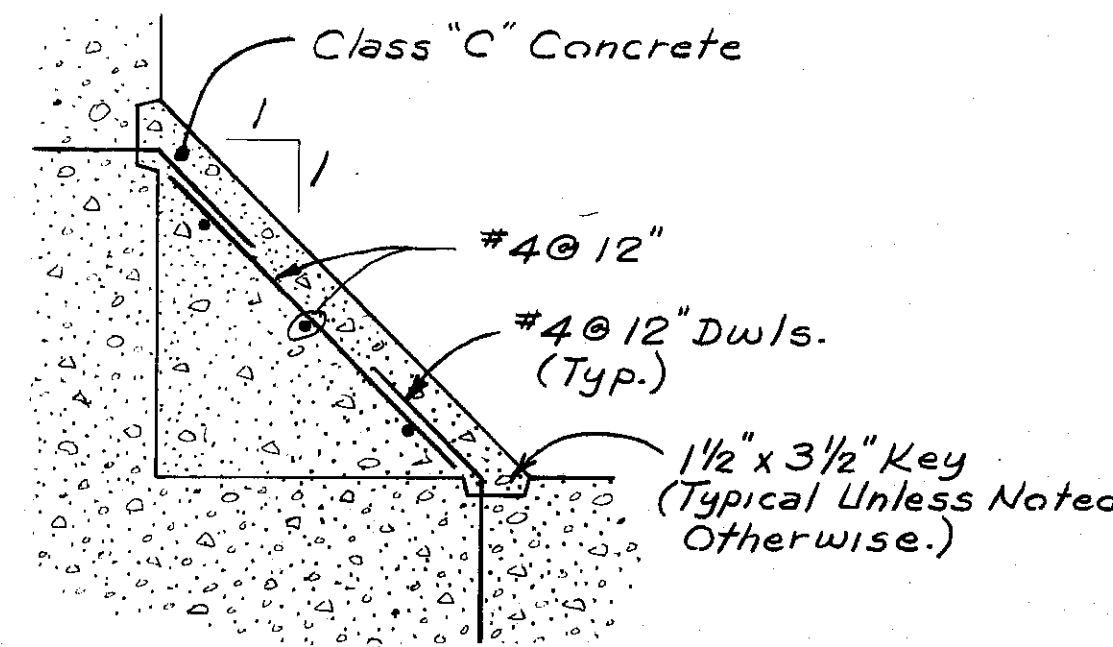


TYPICAL INTERSECTION DETAIL OF DEEP & SHALLOW GRADE BEAMS AT PILE CAP
N.T.S.

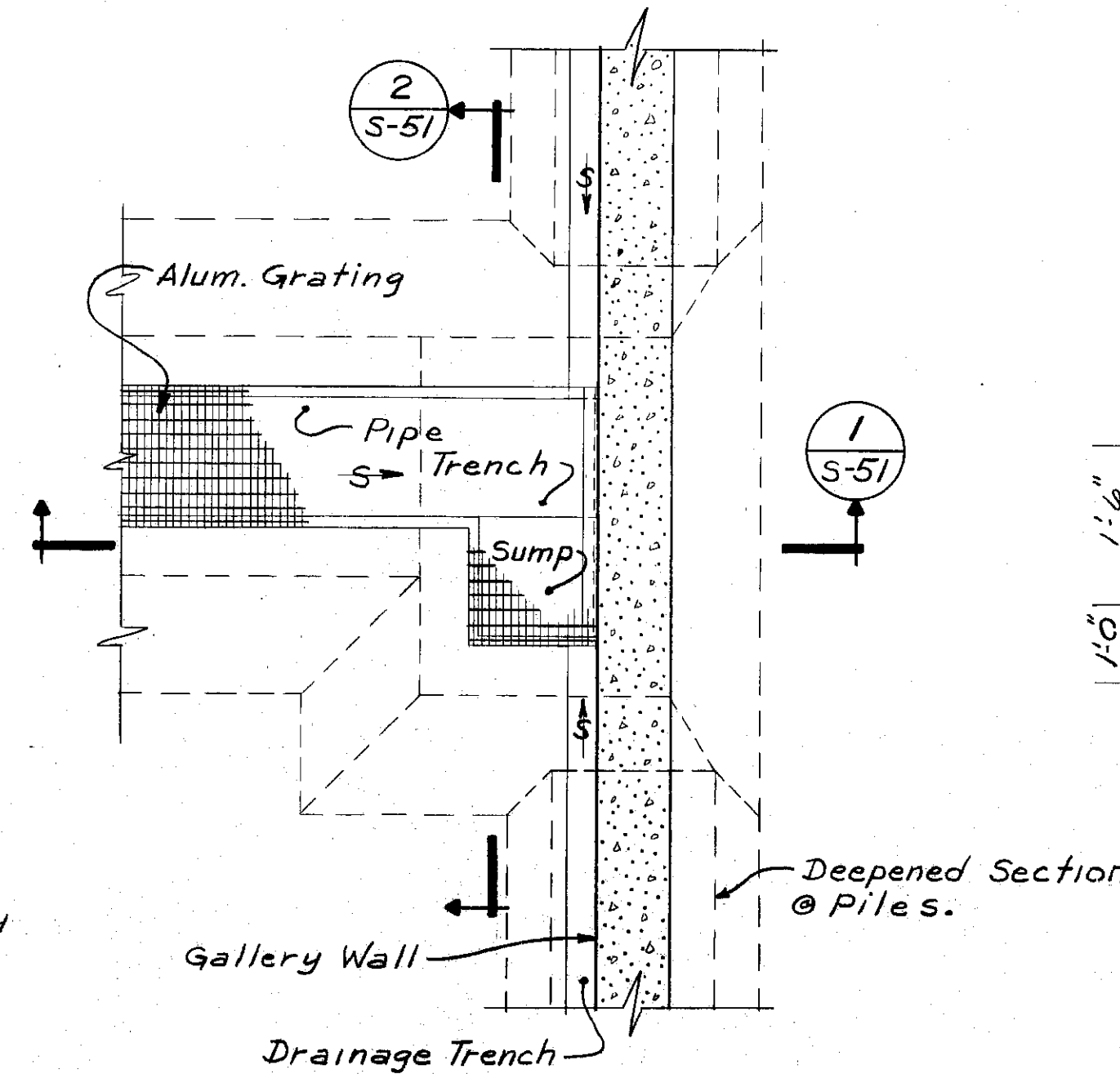
Note: Grade beam intersections not at pile caps shall be similarly handled.



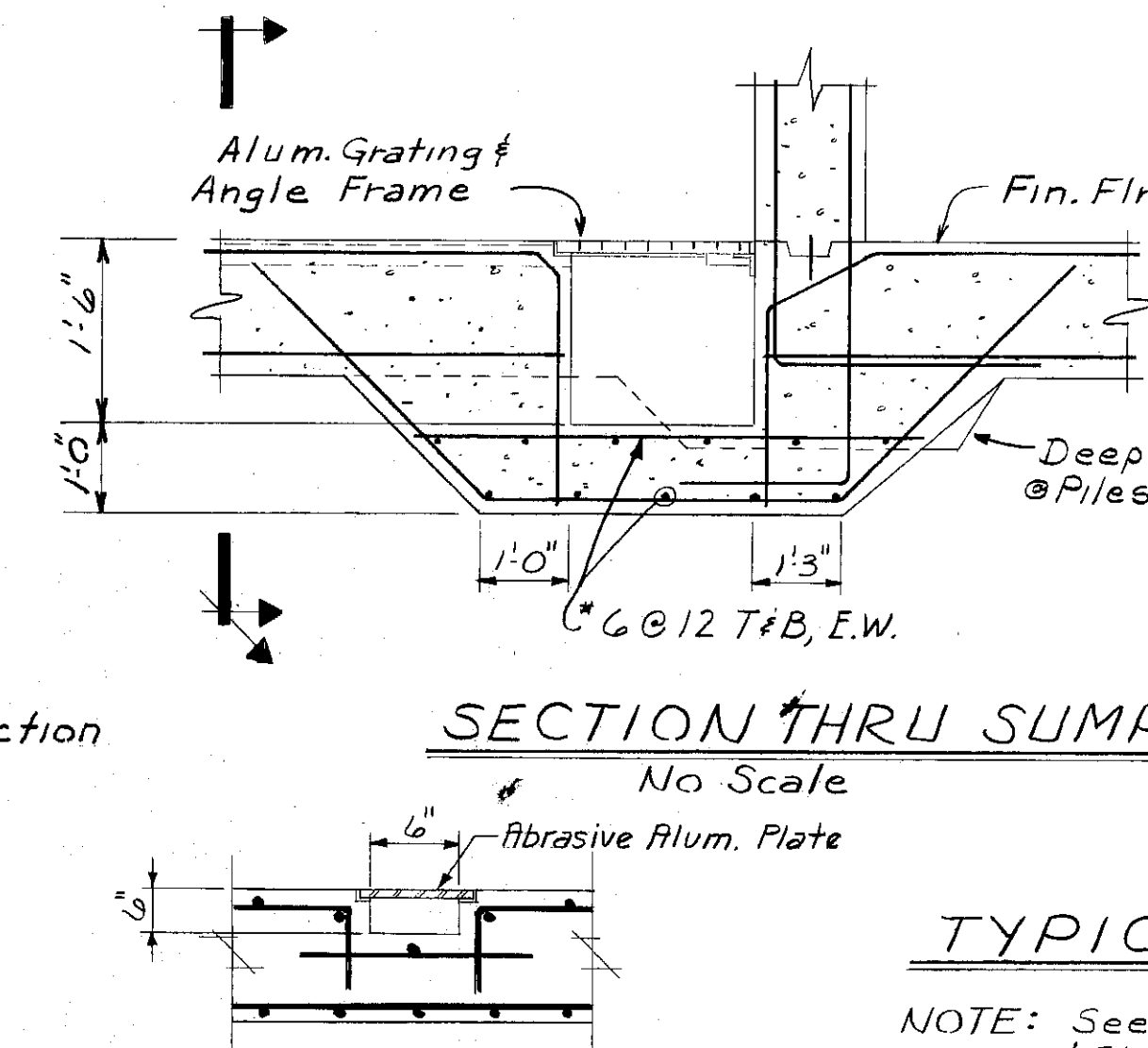
GALLERY HANGER DETAIL
No Scale



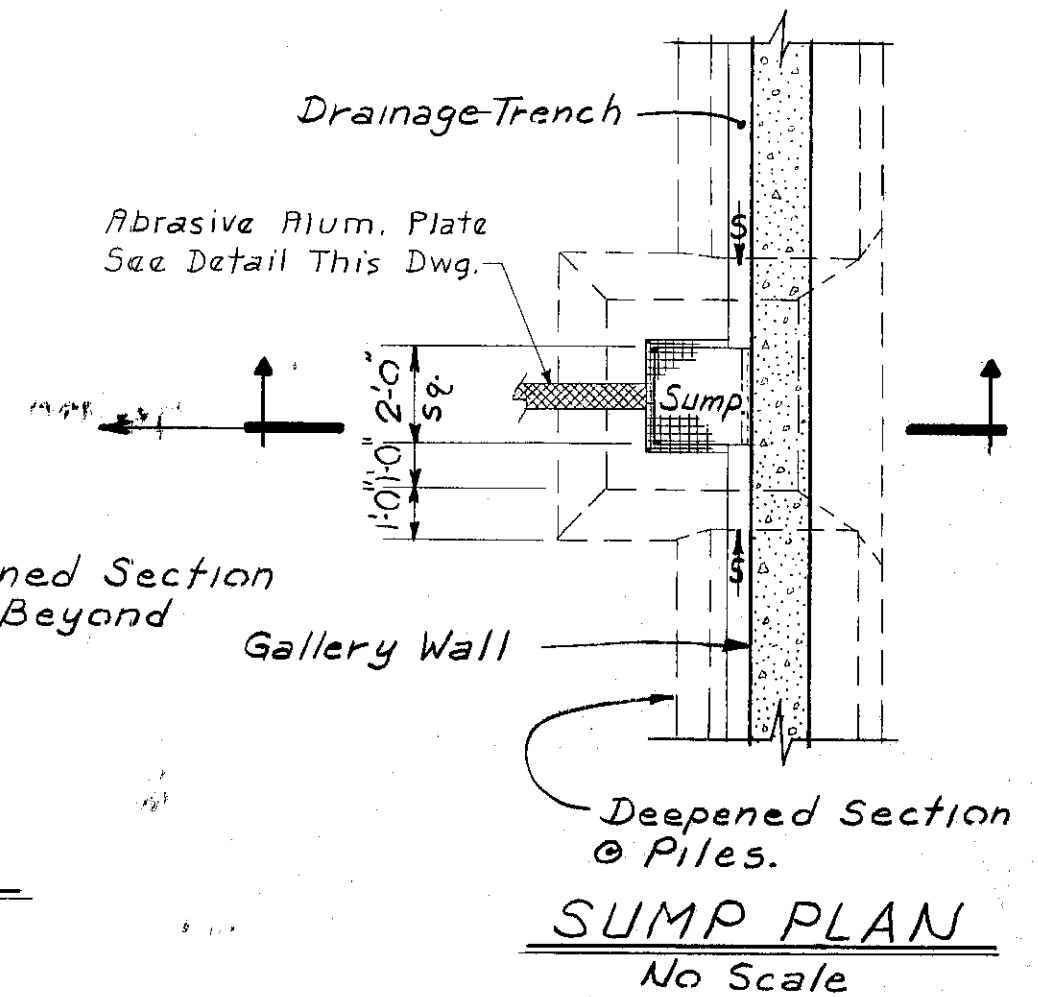
FILLET DETAIL
No Scale



SUMP & PIPE TRENCH PLAN



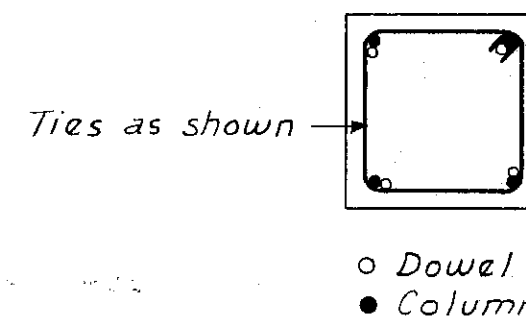
SECTION THRU SUMP
No Scale



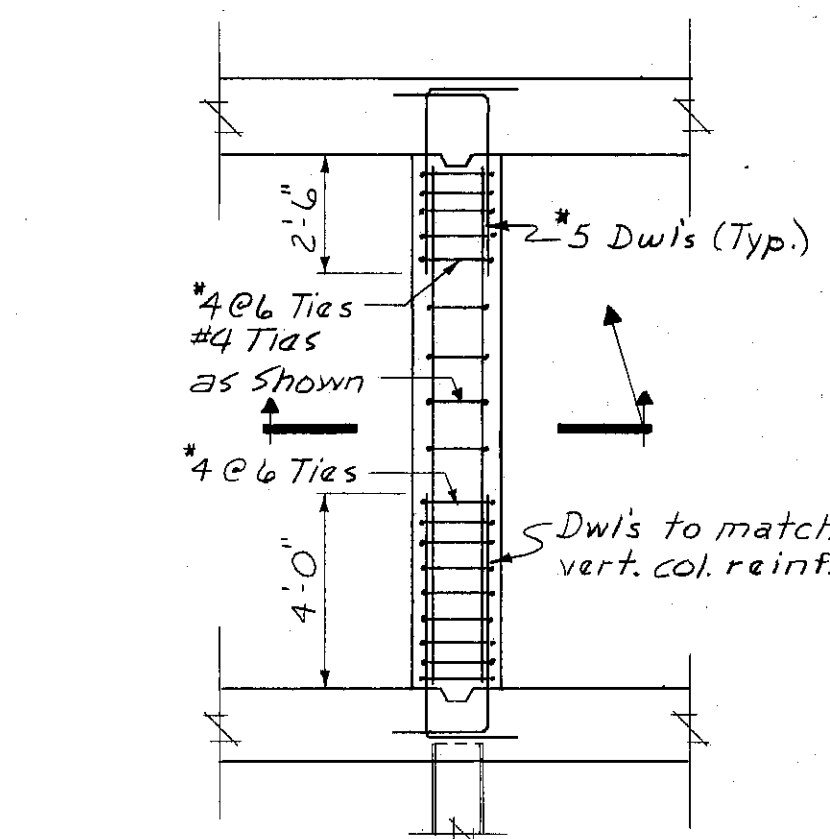
SUMP PLAN
No Scale

TYPICAL SUMP DETAILS

NOTE: See Structural Drawings For Locations & Elevations Of Sumps And For Size And Spacing Of Wall And Slab Reinforcing.

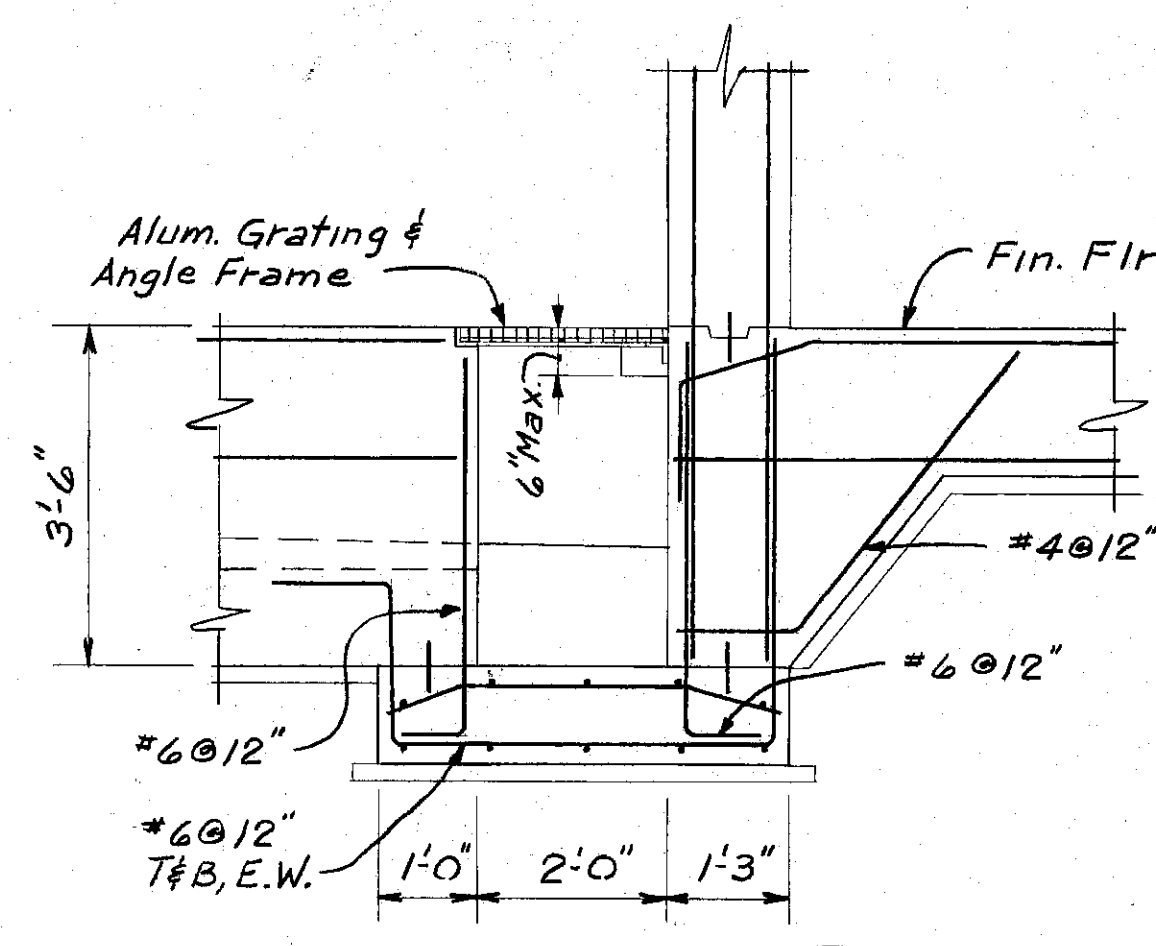


TYPICAL CURB DETAIL
N.T.S.

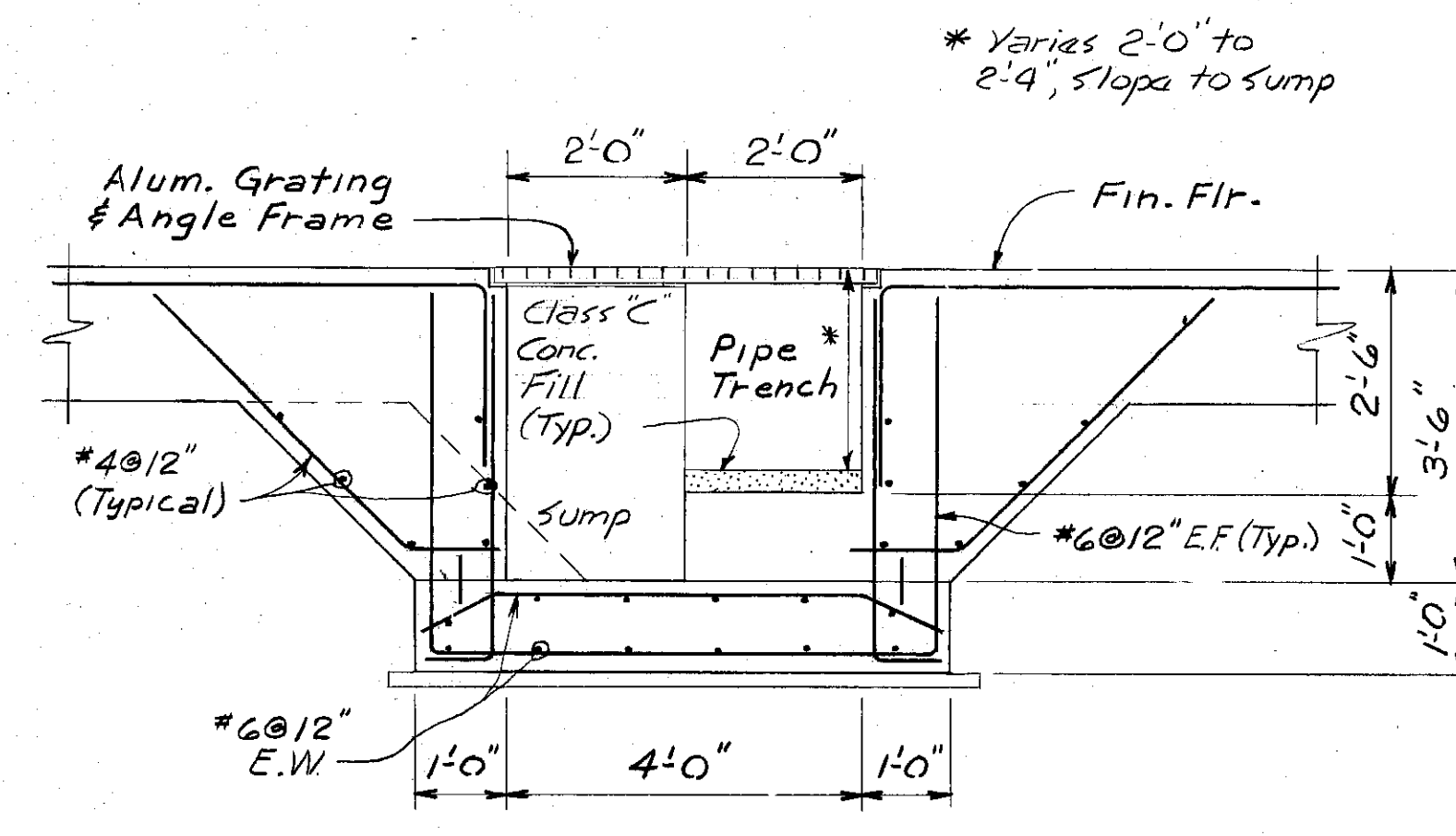


TYPICAL COLUMN DETAILS
No Scale

Note: Typical at Units E, F and H



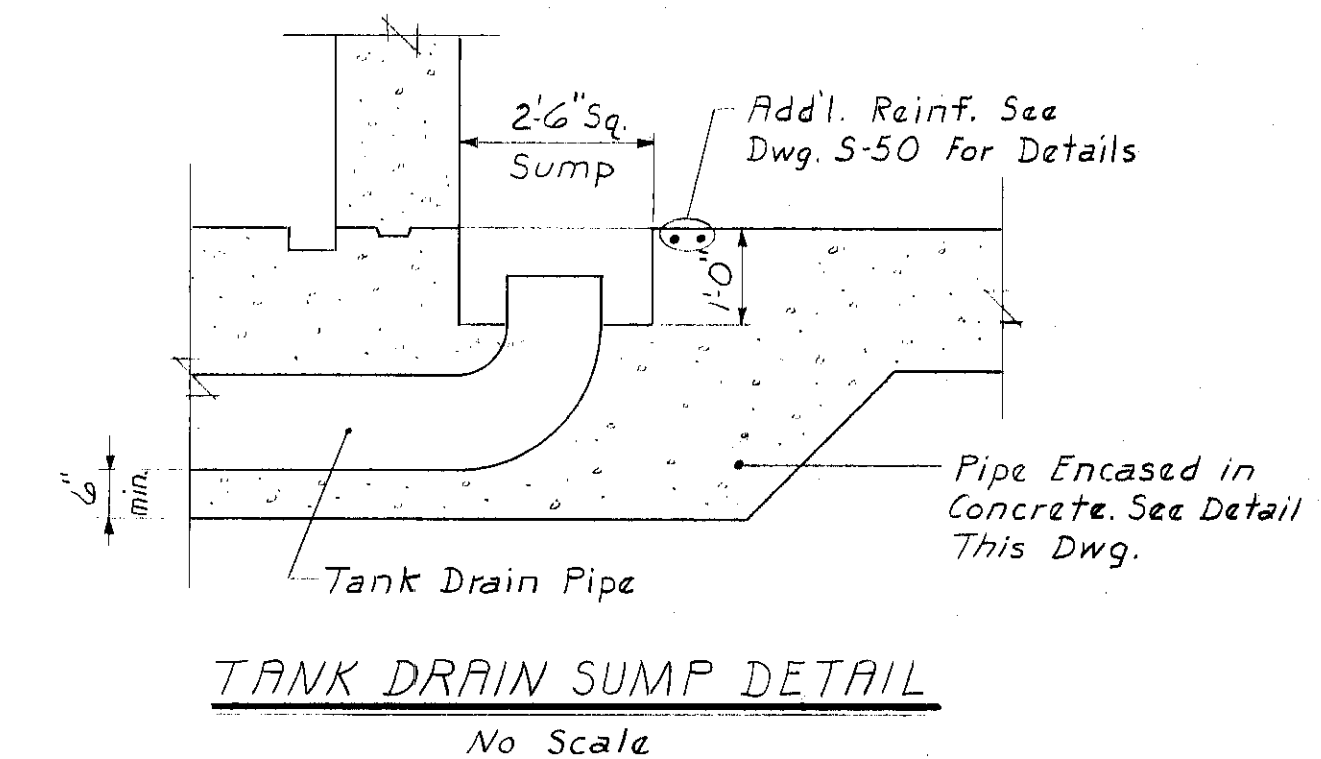
SECTION 1 S-51
No Scale



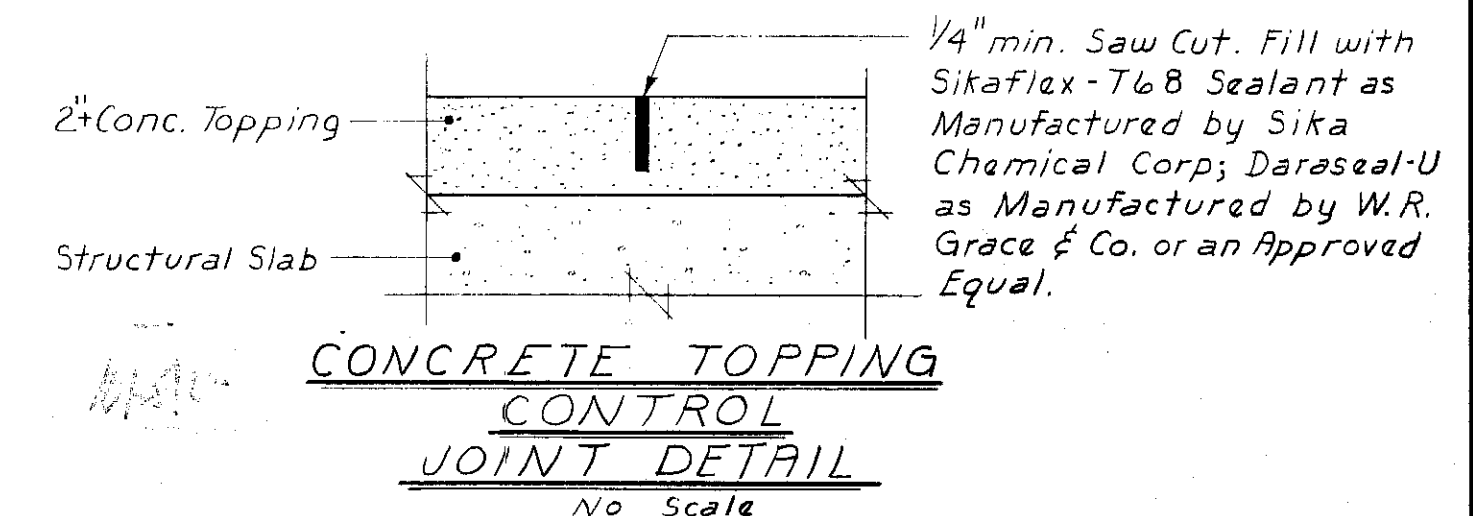
SECTION 2 S-51
No Scale

TYPICAL SUMP DETAILS @ PIPE TRENCH

NOTE: See Structural Drawings For Locations & Elevations Of Sumps And For Size And Spacing Of Wall And Slab Reinforcing



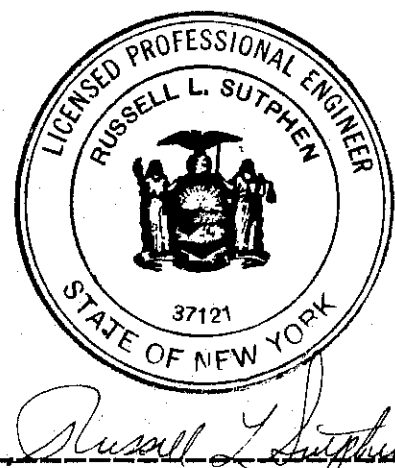
TANK DRAIN SUMP DETAIL
No Scale



CONCRETE TOPPING CONTROL JOINT DETAIL
No Scale

RECORD DRAWINGS
To the best of our knowledge, information and belief, these record drawings show a true and correct copy of the project as executed.

RSB



In charge of Memorandum
Designed by JMS Checked by JMS
Made by F.C.S., G.P.K. & R.J.B.

No Scale

NO.	DATE	REVISION	INIT.
2/19/78		General Revisions	
5/14/77		General Revisions	

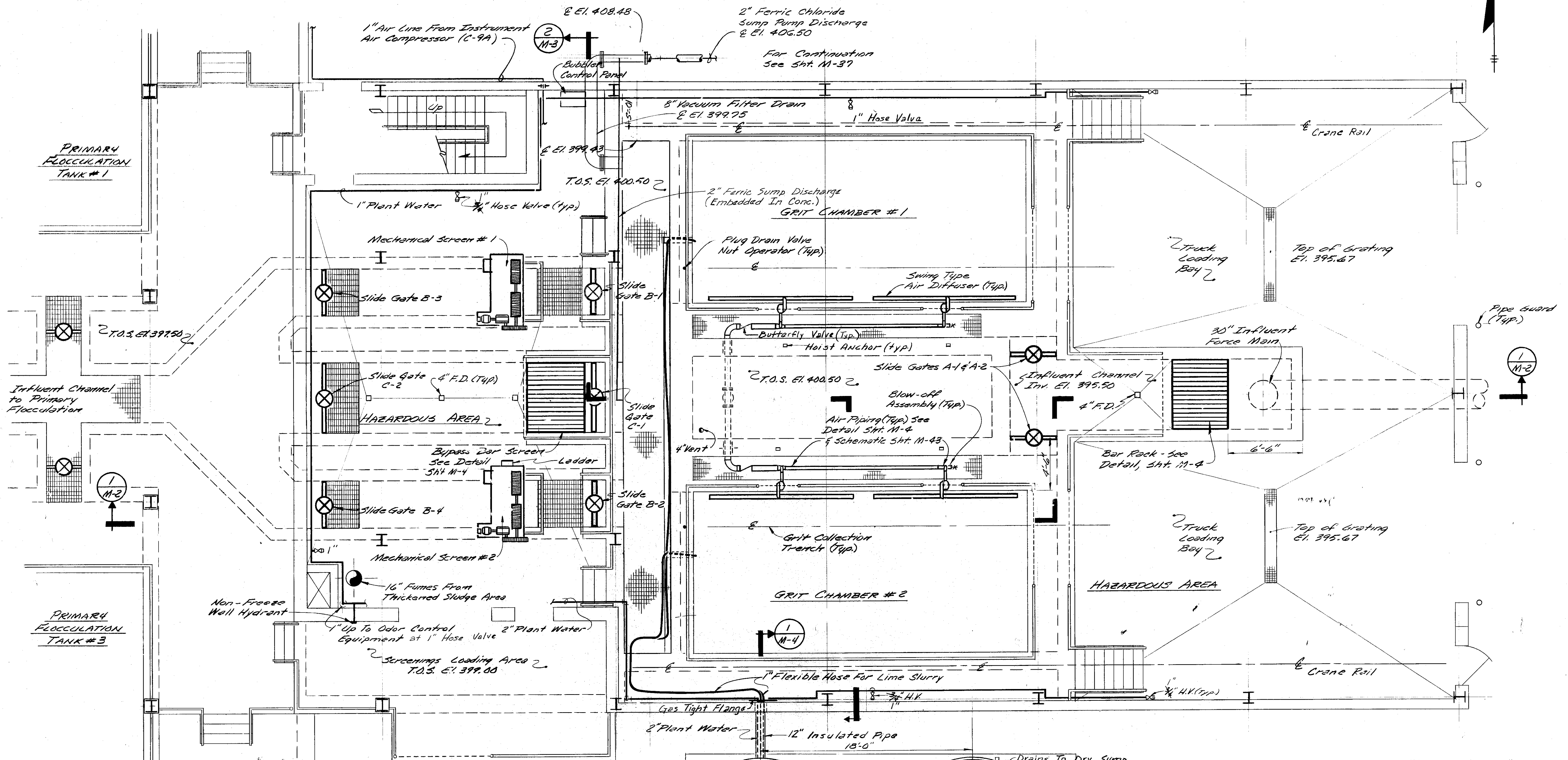
O'BRIEN & GERE
ENGINEERS, INC.
Syracuse, New York

CLAY SANITARY DISTRICT
OAK ORCHARD SERVICE AREA
OAK ORCHARD WATER POLLUTION CONTROL PLANT

STRUCTURAL
MISCELLANEOUS DETAILS

FILE NO.
115.219.206F
DATE
JULY 1, 1975
S-51

AB



ISSUE DRAWINGS
To the best of our knowledge and belief, the drawings herein conform to the project as shown.

By: *[Signature]*



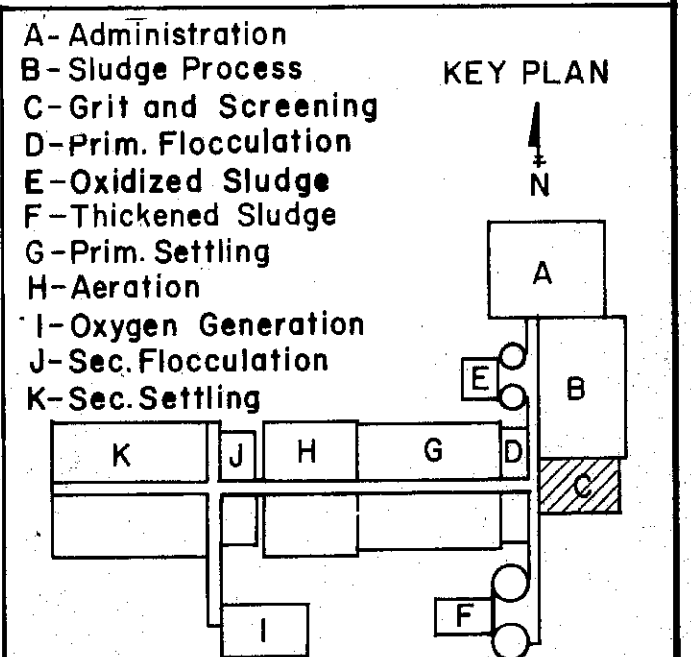
In charge of	WSP	NO.	DATE	REVISION	INIT.
Designed by	GRM	1	1-9-78	General Revisions	GRM
Checked by	WSP	2	1-9-78	General Revisions	WSP
Made by	MDP	3	1-10-78	ENLARGED INFLUENT CHANNEL	MDP

OHRENGER ENGINEERS, INC.
Syracuse, New York

CLAY SANITARY DISTRICT
OAK ORCHARD SERVICE AREA
OAK ORCHARD WATER POLLUTION CONTROL PLANT

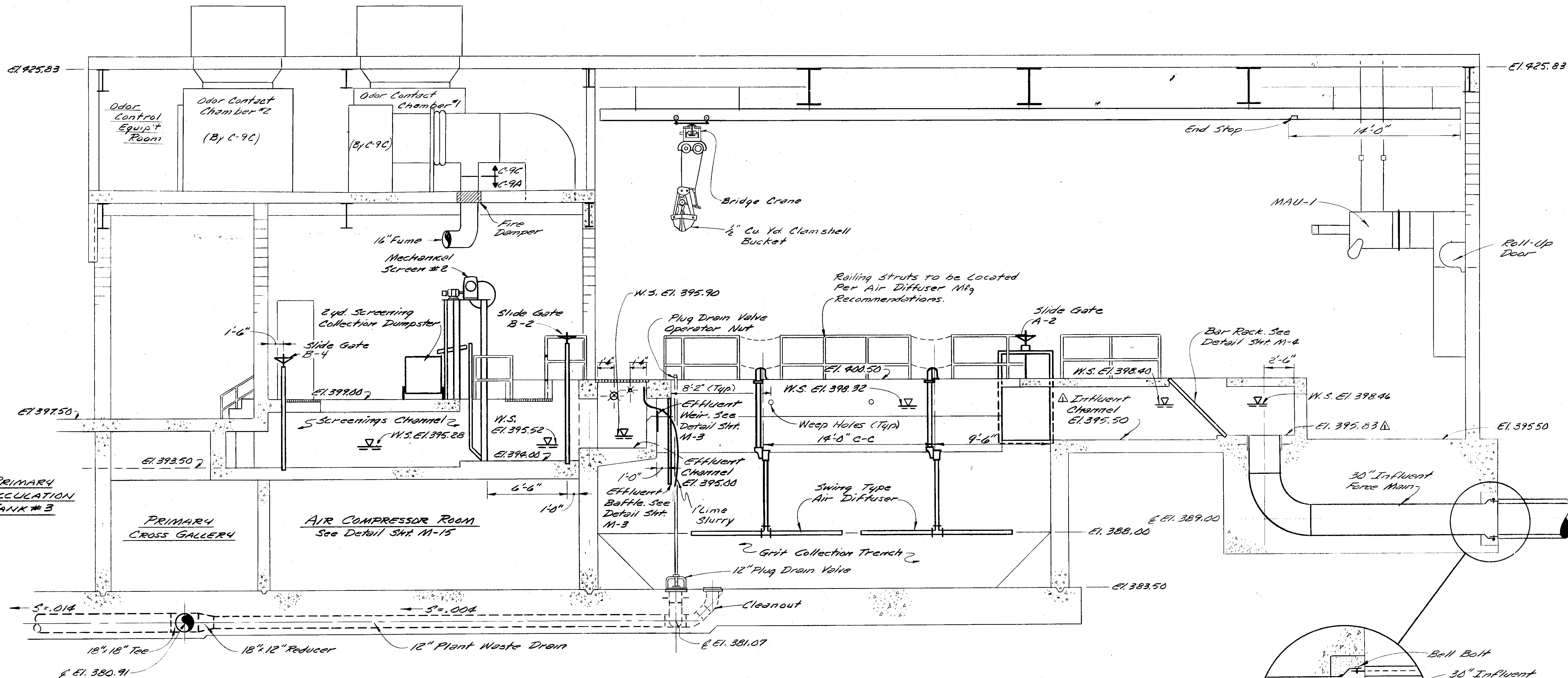
MECHANICAL
GRIT AND SCREENINGS BUILDING
PLAN

FILE NO.	115.219-014F	M-1
DATE	JULY 1, 1975	



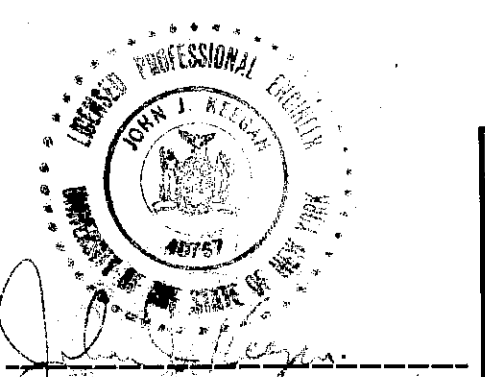
GRIT & SCREENINGS PLAN
Scale: 1/4" = 1'-0"

AB



SECTION 1/M-1
Scale: 1/4" = 1'-0"

DESIGNED BY
CHECKED BY
MADE BY



NO.	DATE	REVISION	INIT.
1/1/76		General Revisions	JML
5/1/77		General Revisions	JML
8/7/76		CHANGED FLOUT WASTE DRAIN	JML
1/1/76		CHANGED INFLUENT CHANNEL	JML

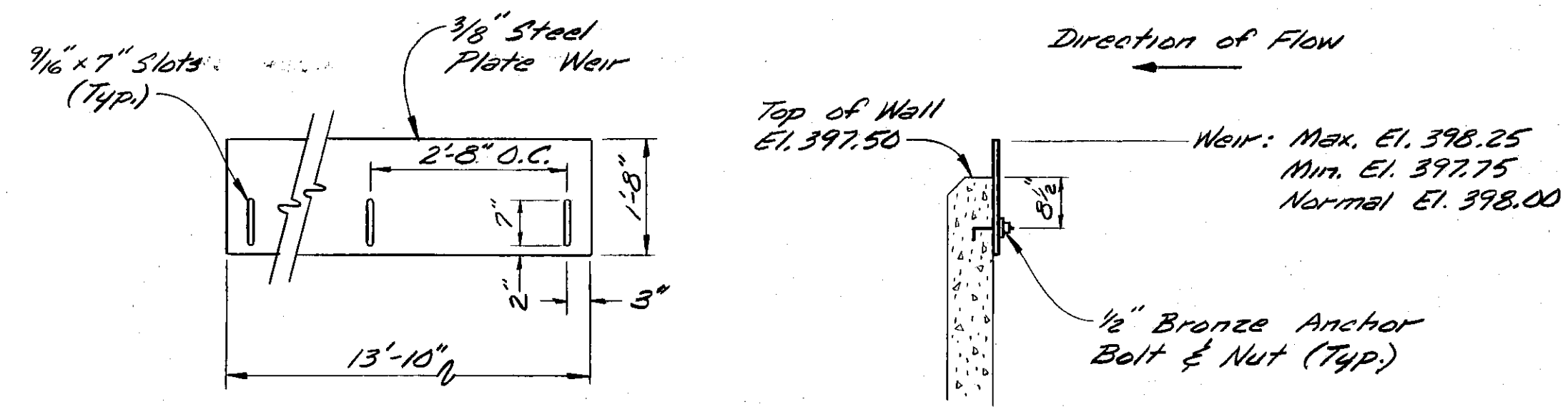
O'BRIEN & GERE
ENGINEERS, INC.
Syracuse, New York

CLAY SANITARY DISTRICT
OAK ORCHARD SERVICE AREA
OAK ORCHARD WATER POLLUTION CONTROL PLANT

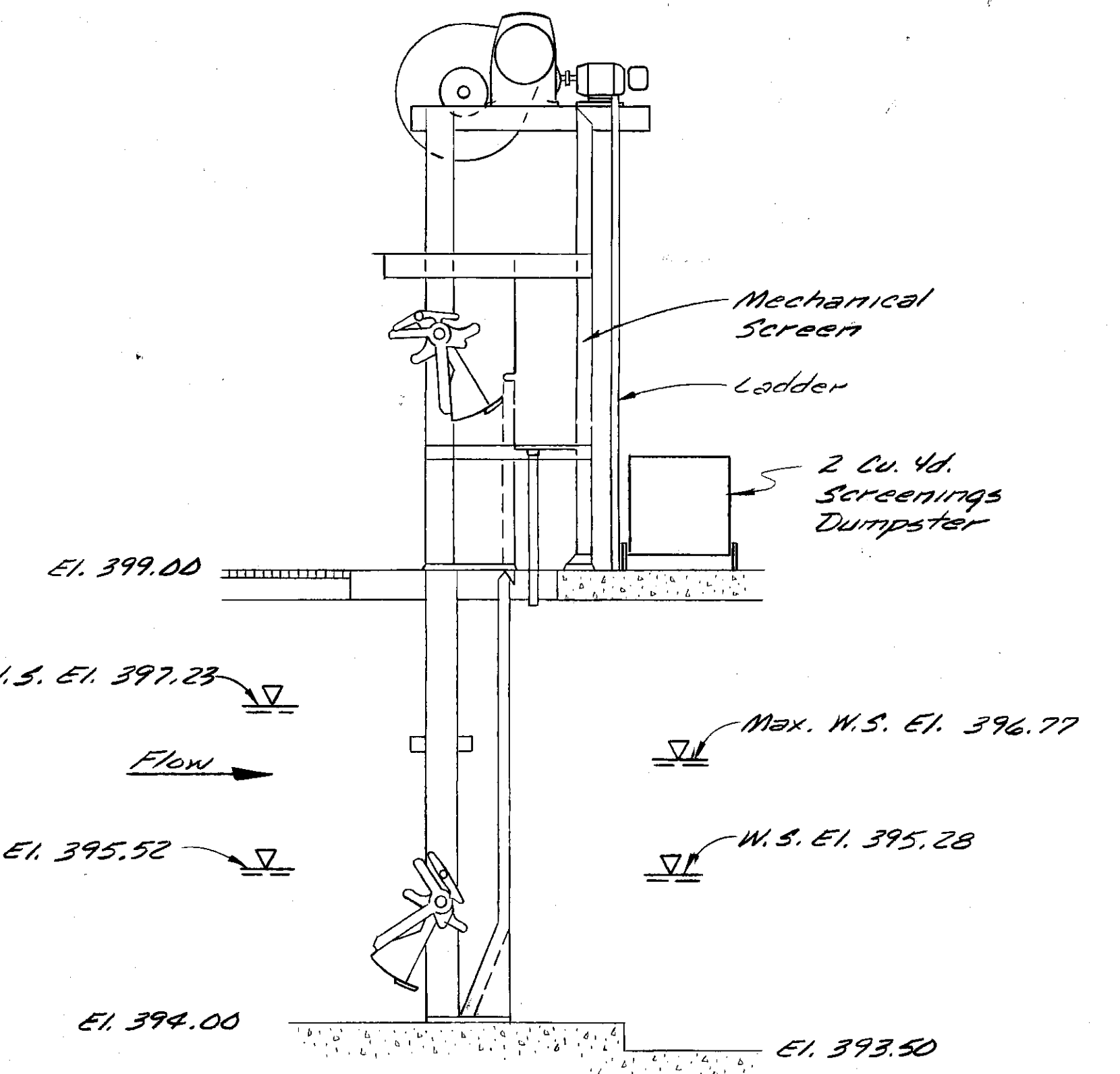
MECHANICAL
GRIT AND SCREENINGS BUILDING
SECTION

FILE NO.
115.219-015F
DATE
JULY 1, 1975
M-2

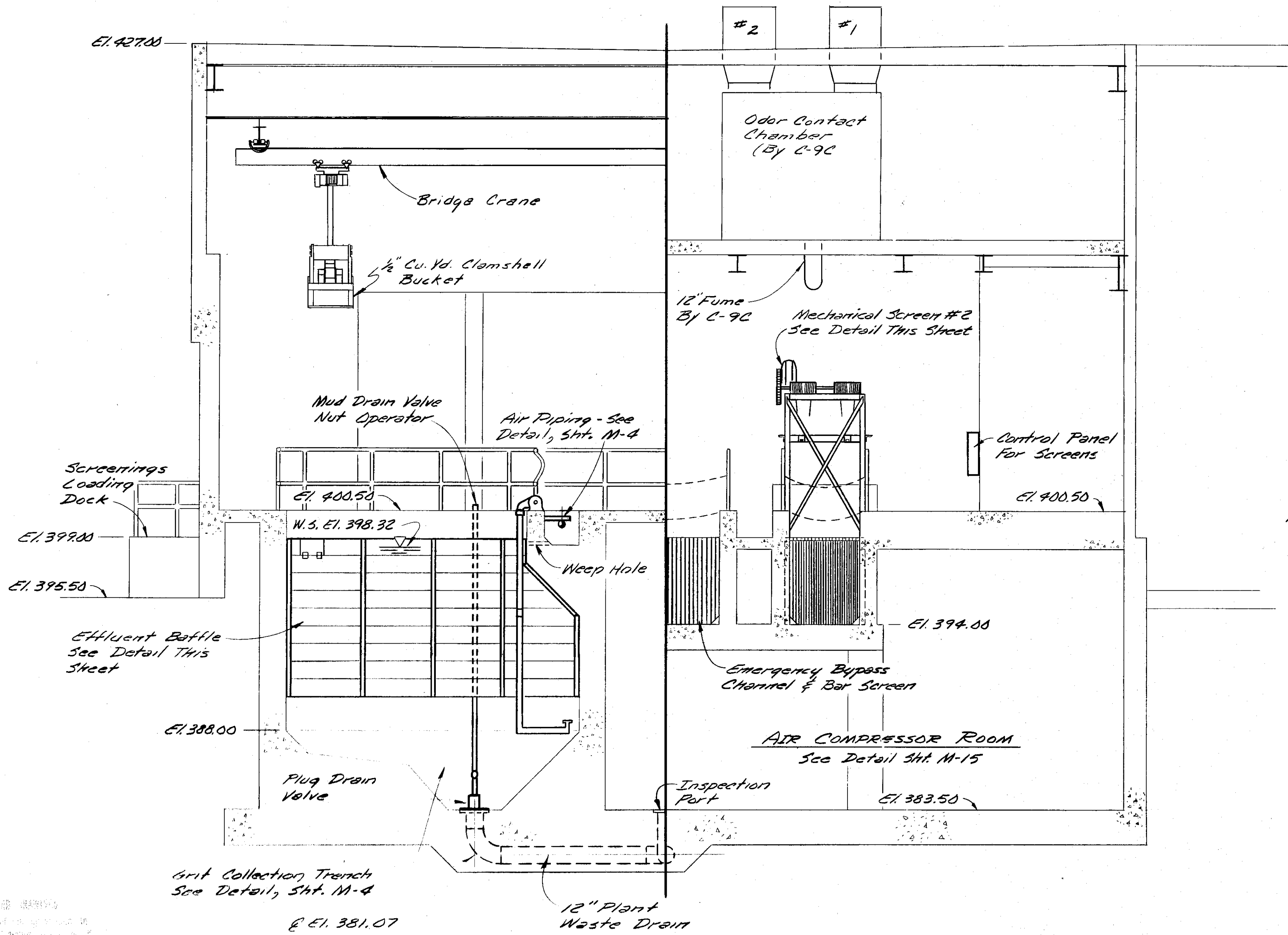
AB



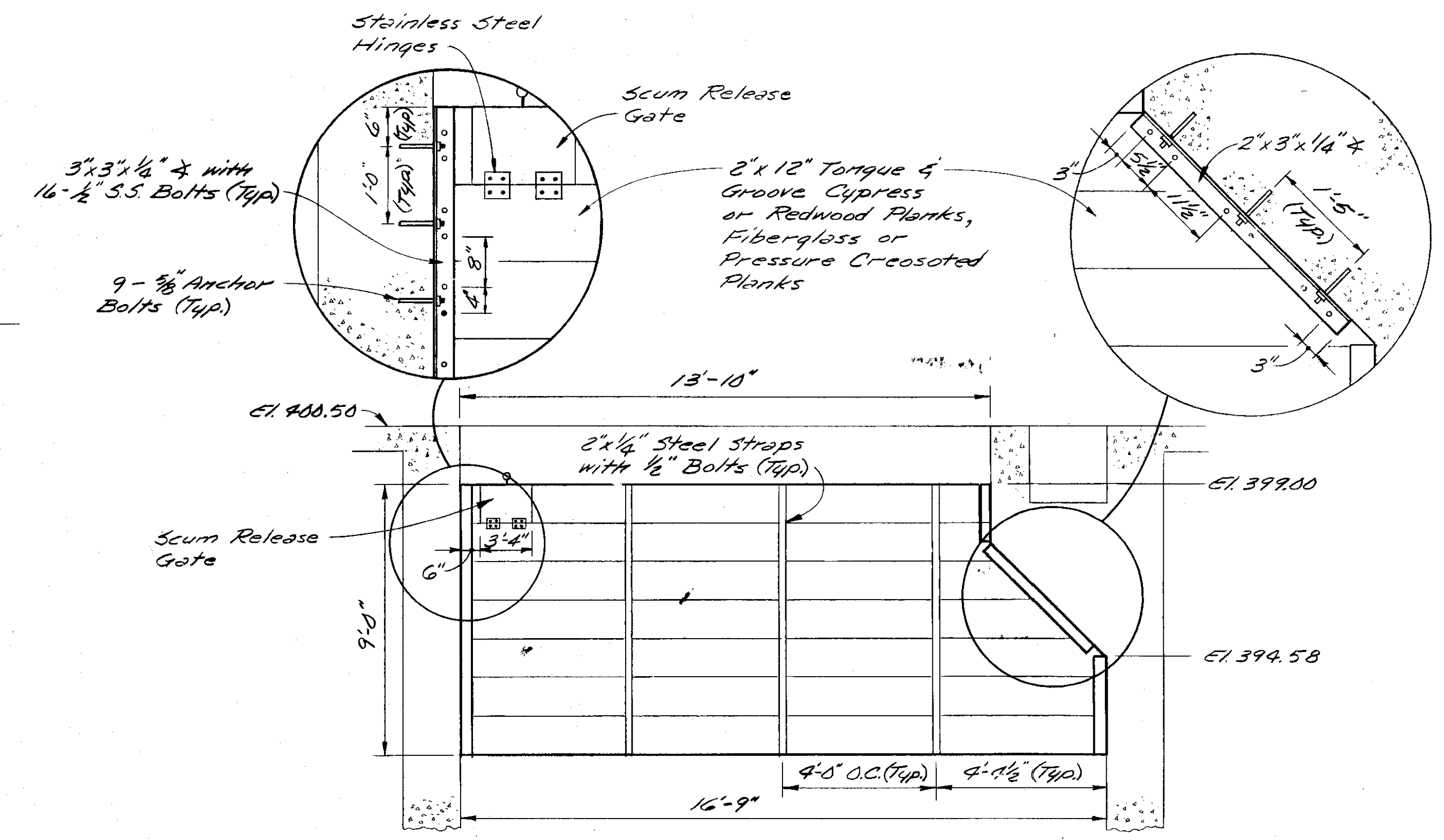
ADJUSTABLE GRIT CHAMBER WEIR DETAIL
No Scale



MECHANICAL SCREEN DETAIL
No Scale

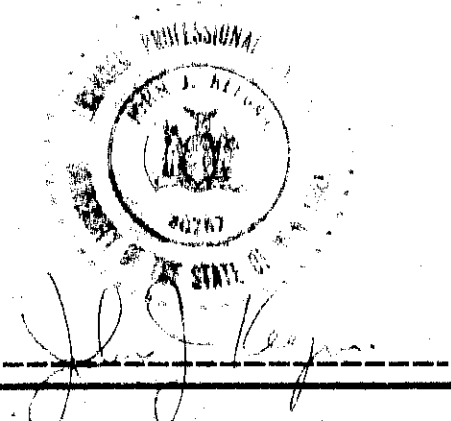


SECTION 2/M-1
Scale: 1/4" = 1'-0"



GRIT CHAMBER EFFLUENT BAFFLE DETAIL
No Scale

DESIGNED BY
CHECKED BY
MADE BY



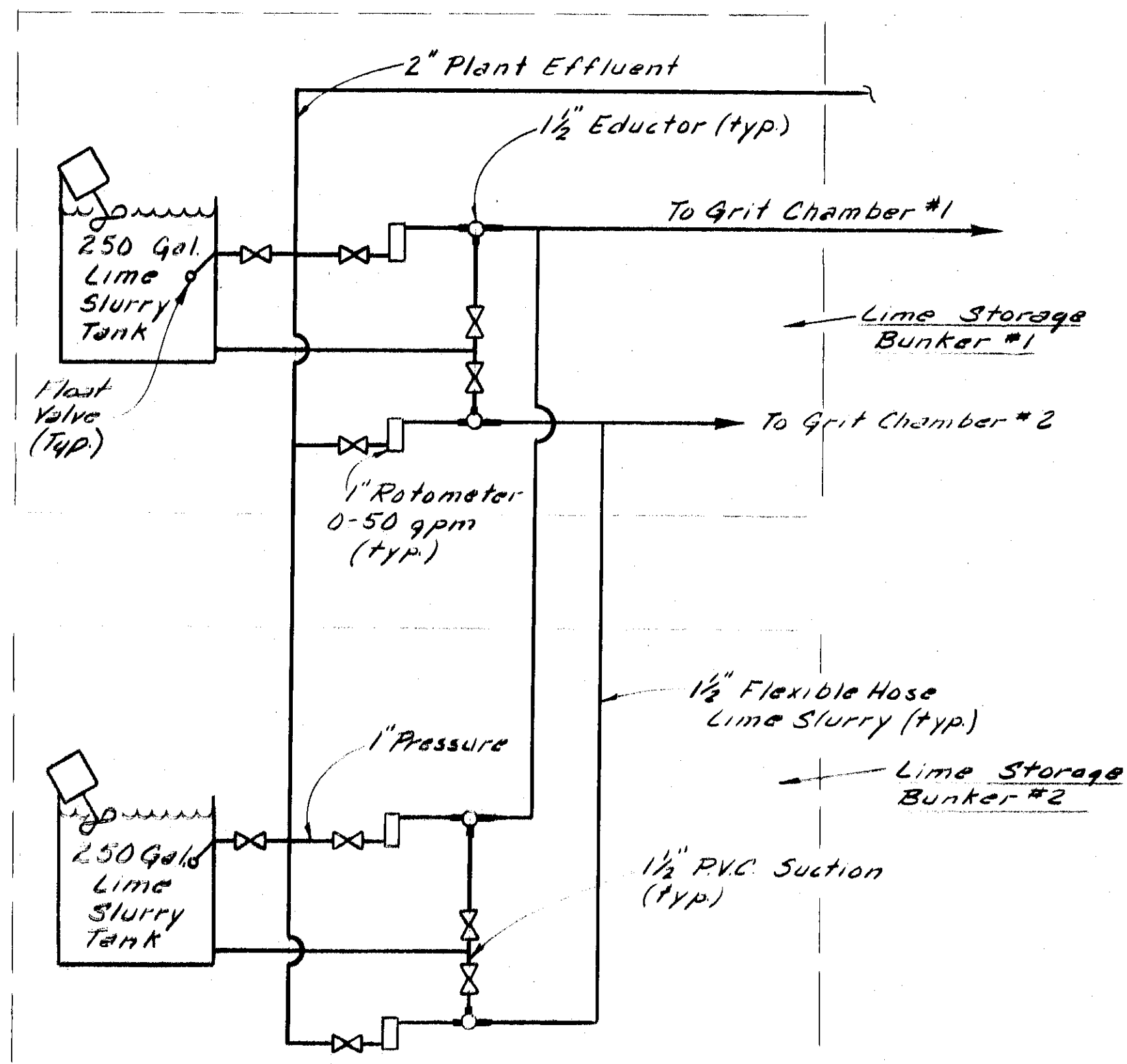
In charge of	DESIGNED BY	NO.	DATE	REVISION	INIT.
Designed by	CHECKED BY	21172	General Revisions		
Made by		5/17/77	General Revision		
		6-76	CHANGED TRANK DRAIN		

O'BRIEN & GERE ENGINEERS, INC.
Syracuse, New York

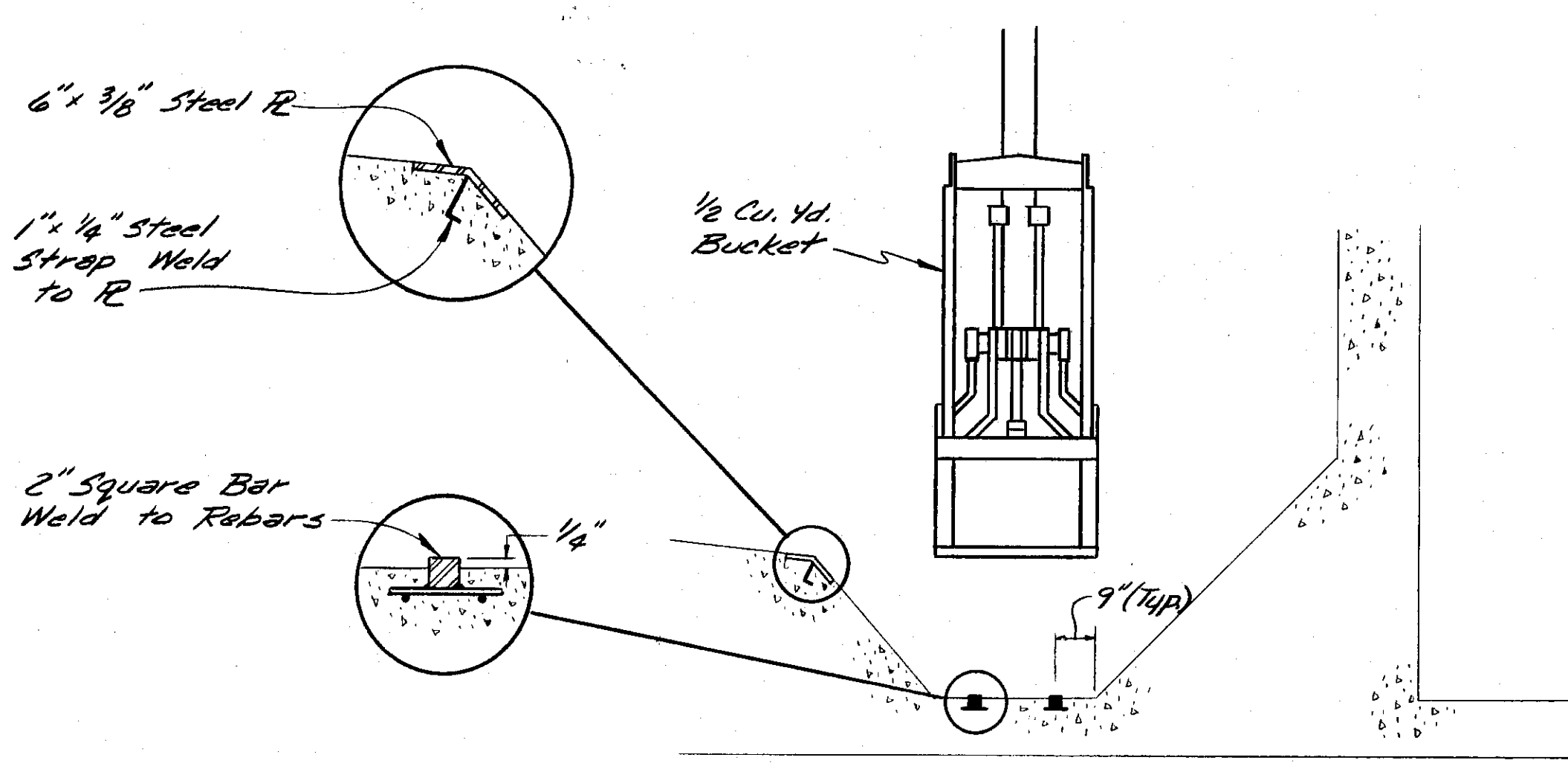
CLAY SANITARY DISTRICT
OAK ORCHARD SERVICE AREA
OAK ORCHARD WATER POLLUTION CONTROL PLANT

MECHANICAL
GRIT AND SCREENINGS BUILDING
SECTION AND DETAILS

FILE NO. 115.219-016F
DATE JULY 1, 1975
M-3

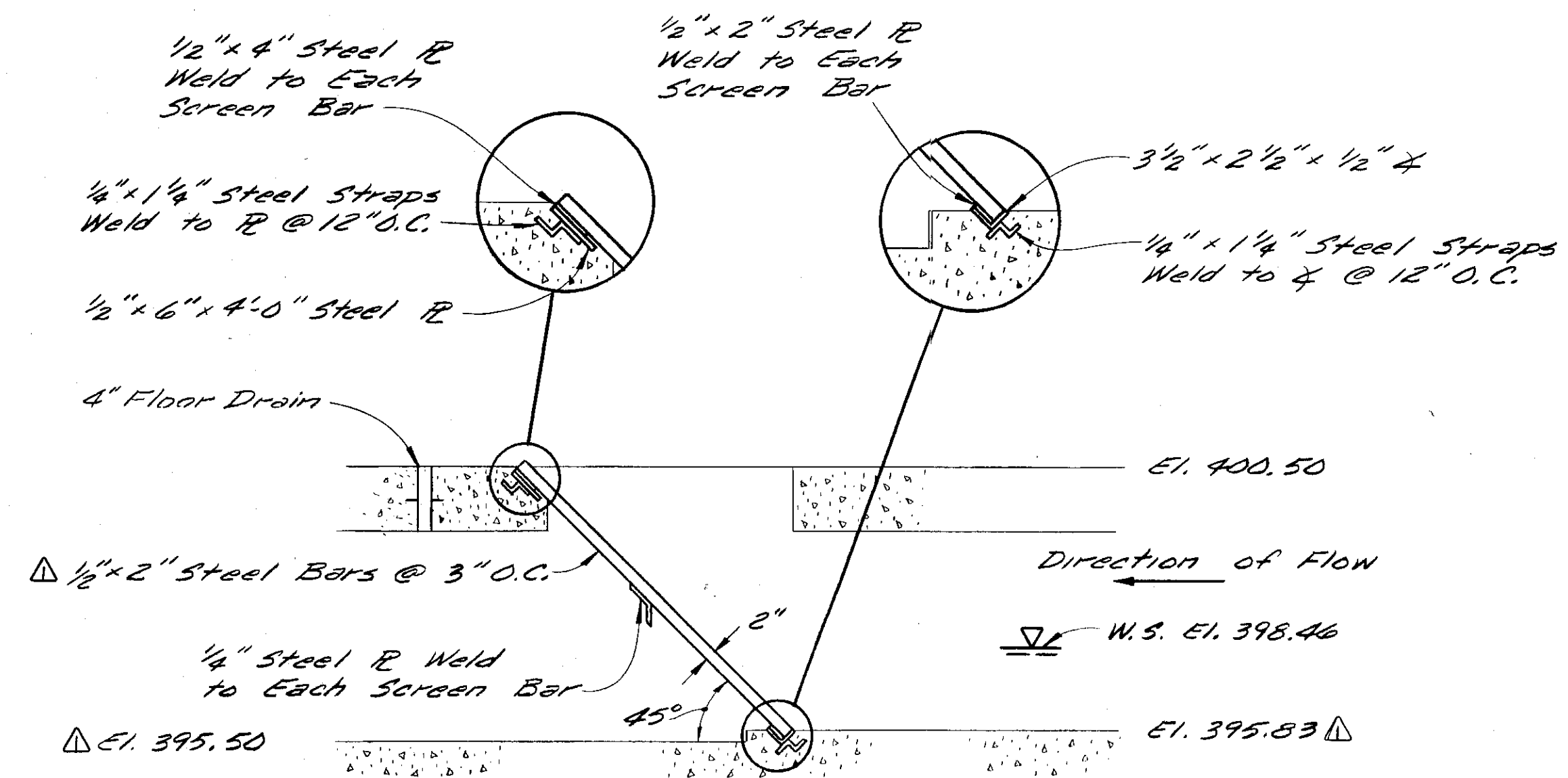


LIME FEED SYSTEM SCHEMATIC



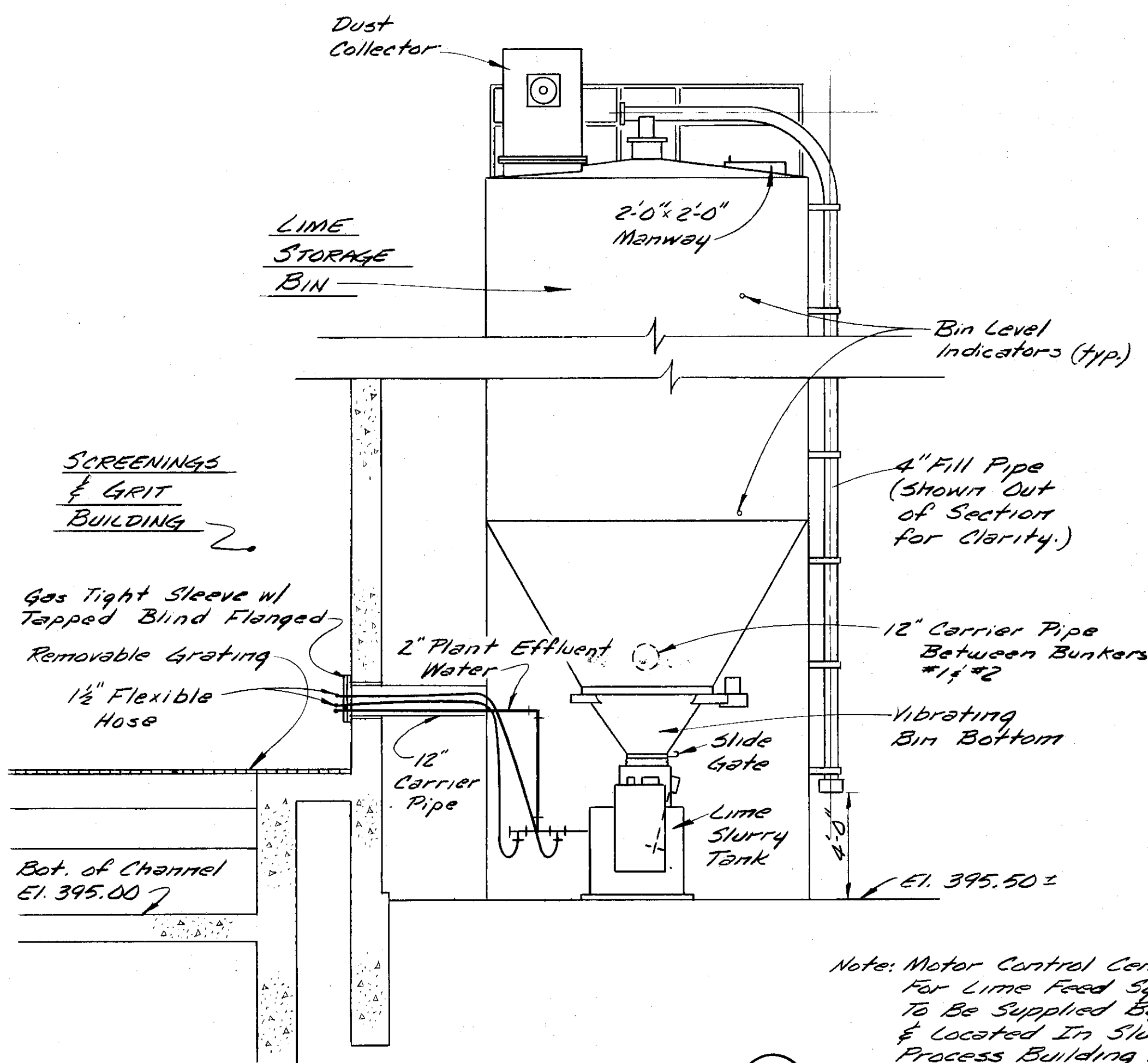
BUCKET & TRENCH DETAILS

No Scale



BAR RACK DETAIL

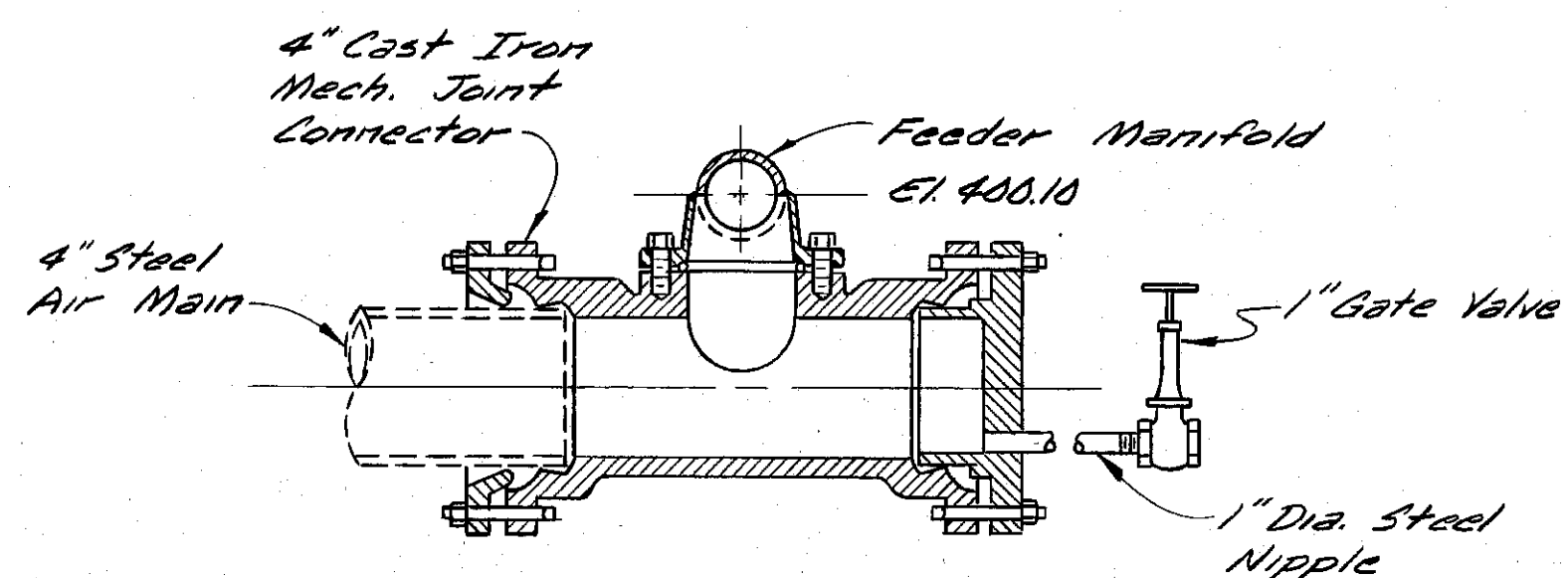
No Scale



SECTION 1-M-1

No Scale

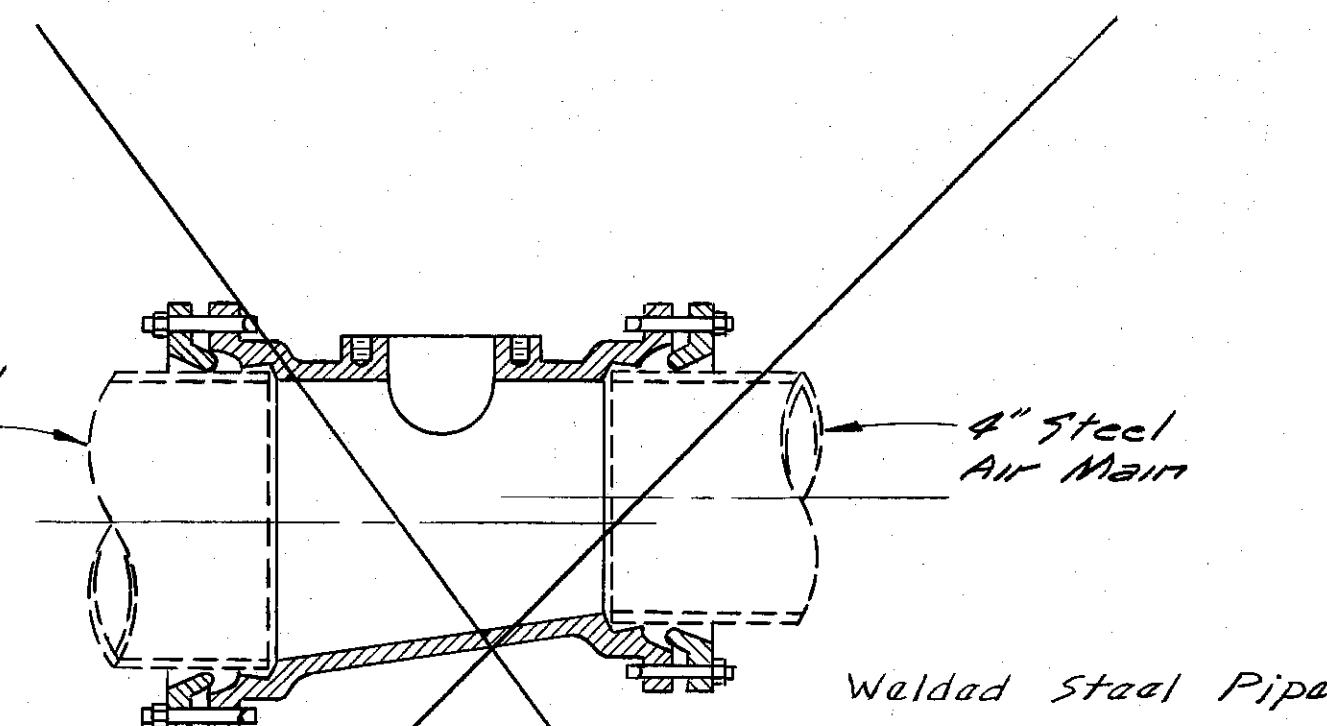
Note: Motor Control Center for Lime Feed System to be supplied by C-9A & located in Sludge Process Building as shown on sheet E-18.



BLOW-OFF ASSEMBLY DETAIL

No Scale

One Located at Each End of Air Main

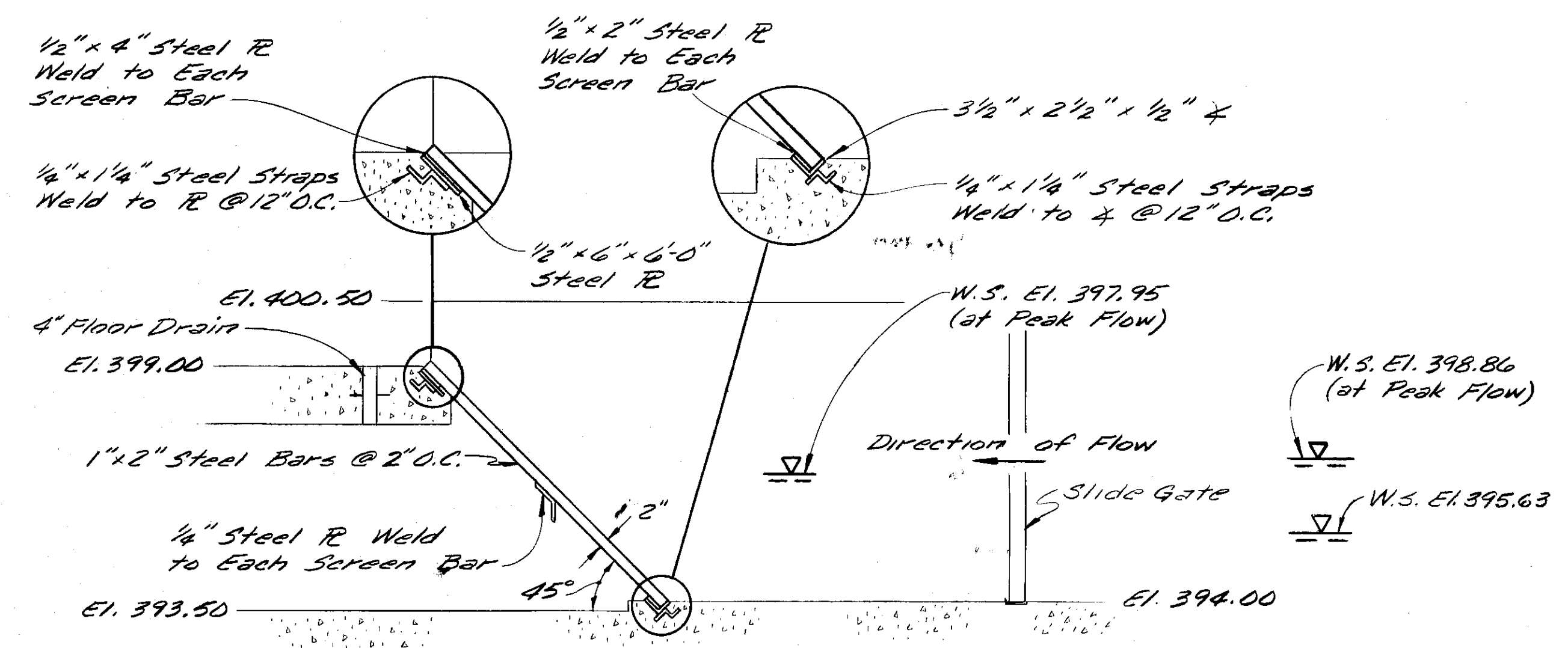


C.I. MECHANICAL JOINT ECCENTRIC REDUCER

No Scale

One Req'd. at Change in Header Size

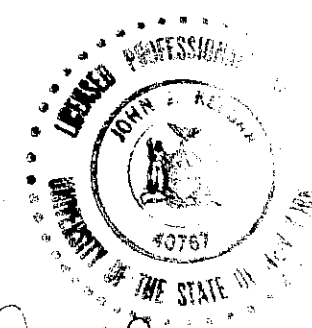
AIR PIPING DETAILS



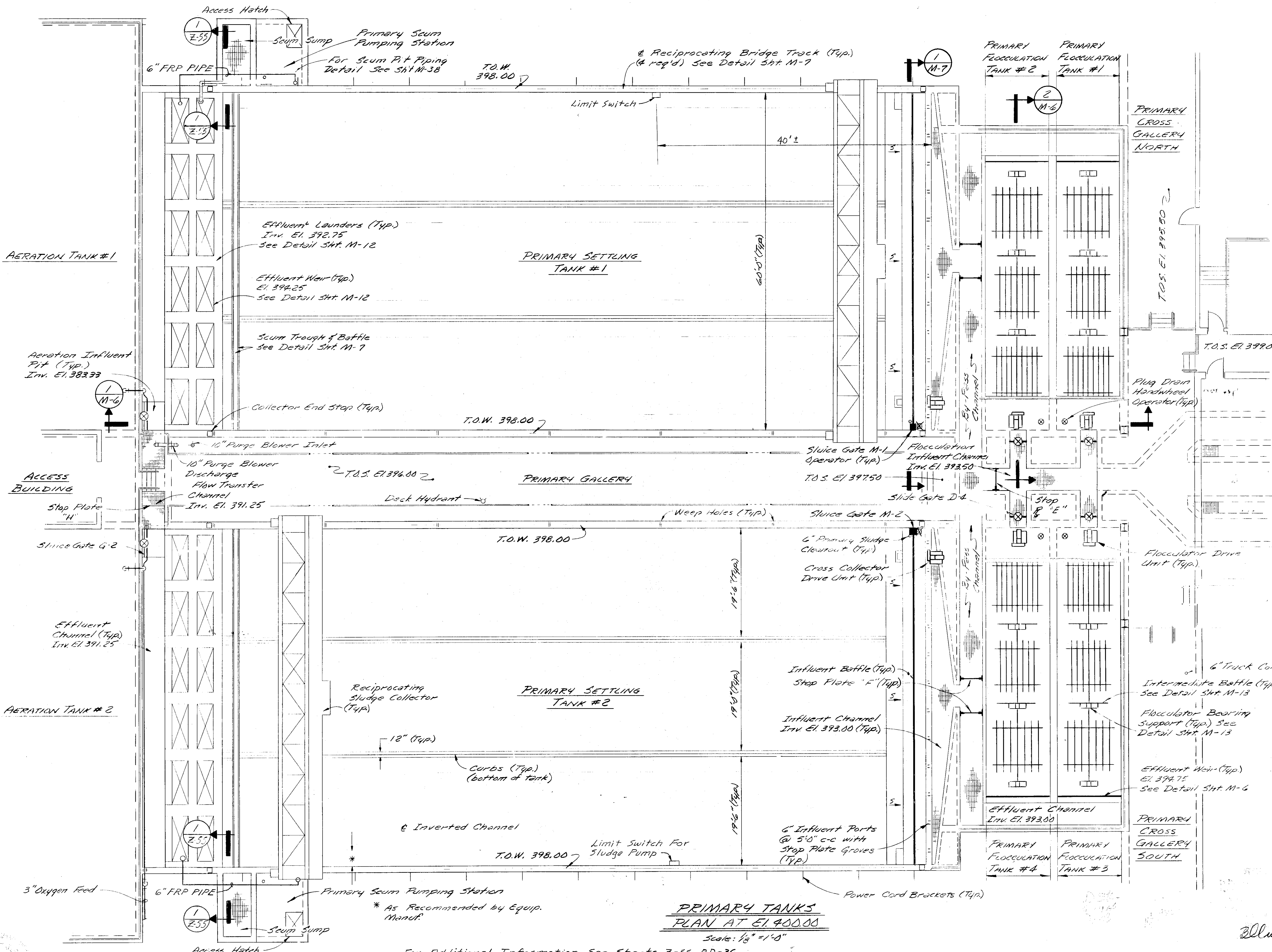
BY-PASS BAR SCREEN DETAIL

No Scale

RECORD DRAWINGS
To the best of our knowledge, in accordance and belief, these record drawings substantially represent the project as constructed.
O'BRIEN & GERE
ENGINEERS, INC.
By: B.L. Yellow

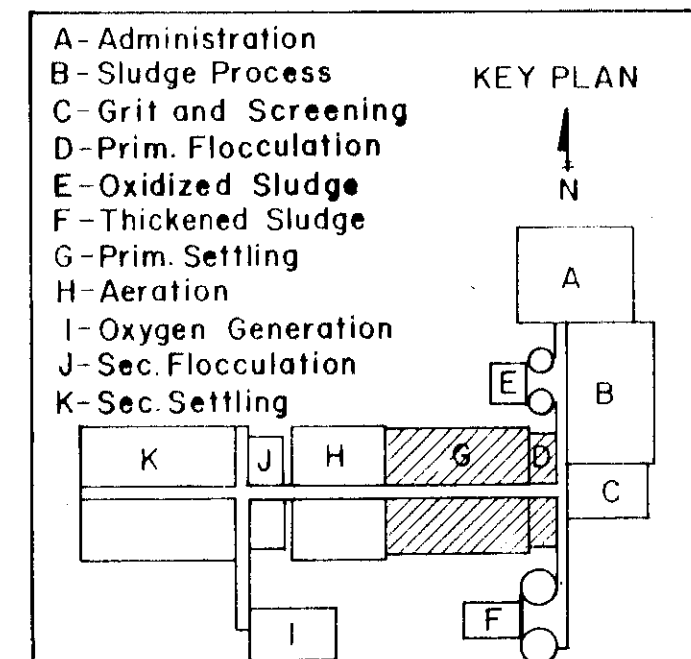


In charge of <u>WSP</u> Designed by <u>GRM</u> Checked by <u>WSP</u> Made by <u>GBC</u>	NO SCALE	NO. DATE REVISION INIT.	O'BRIEN & GERE ENGINEERS, INC. Syracuse, New York	CLAY SANITARY DISTRICT OAK ORCHARD SERVICE AREA OAK ORCHARD WATER POLLUTION CONTROL PLANT	MECHANICAL GRIT AND SCREENINGS BUILDING DETAILS	FILE NO. 115.219-017F					
		<table border="1"> <tr> <td>1/1/76</td> <td>General Revisions</td> <td>JML</td> </tr> <tr> <td>5/1/77</td> <td>General Revisions</td> <td>JML</td> </tr> <tr> <td>4/15/78</td> <td>CHANGED BAR RACK DETAIL</td> <td>JML</td> </tr> </table>				1/1/76	General Revisions	JML	5/1/77	General Revisions	JML
1/1/76	General Revisions	JML									
5/1/77	General Revisions	JML									
4/15/78	CHANGED BAR RACK DETAIL	JML									

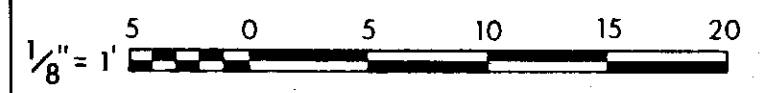


PRIMARY TANKS
PLAN AT EL. 400.00
 Scale: 1/8" = 1'-0"

For Additional Information, See Sheets Z-55, RD-36



In charge of _____
 Designed by GRM Checked by _____
 Made by MLE



NO.	DATE	REVISION	INIT.
1		General Revisions	
2		General Revisions	

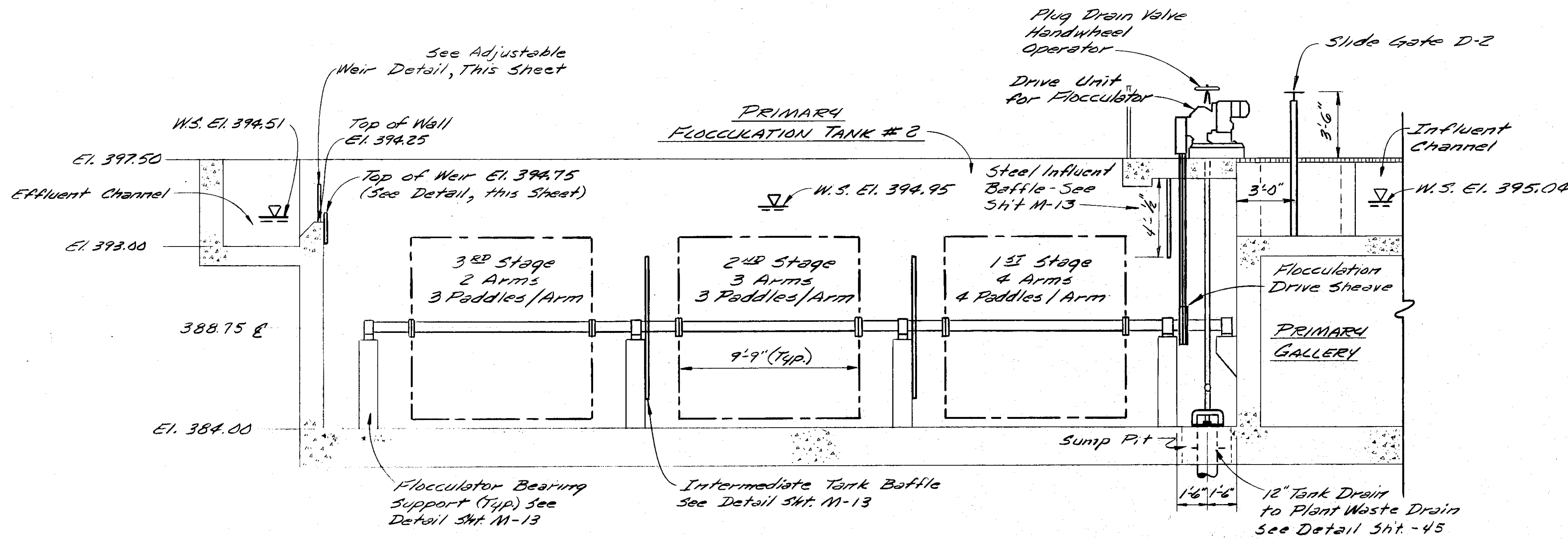
O'BRIEN & GERE
 ENGINEERS, INC.
 Syracuse, New York

CLAY SANITARY DISTRICT
 OAK ORCHARD SERVICE AREA
 OAK ORCHARD WATER POLLUTION CONTROL PLANT

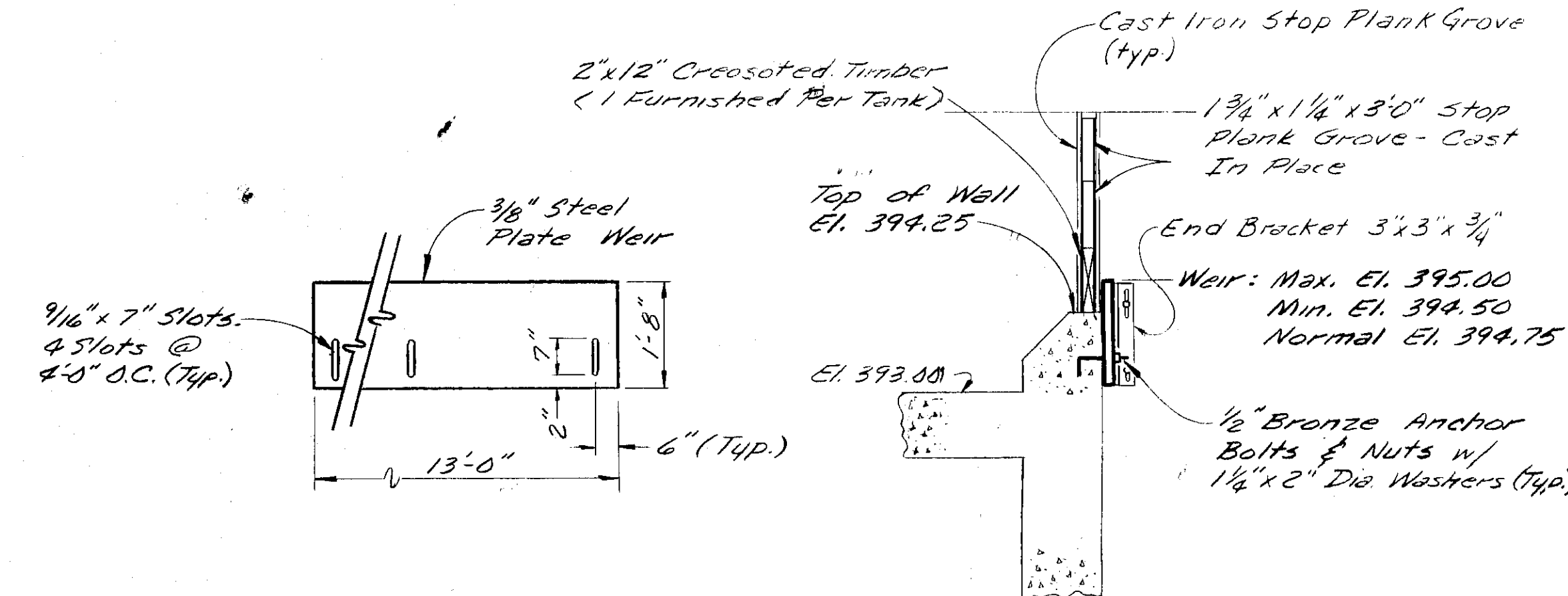
MECHANICAL
 PRIMARY FLOW UNITS
 PLAN

FILE NO.
 115.219-018F
 DATE
 JULY 1, 1975

M-5

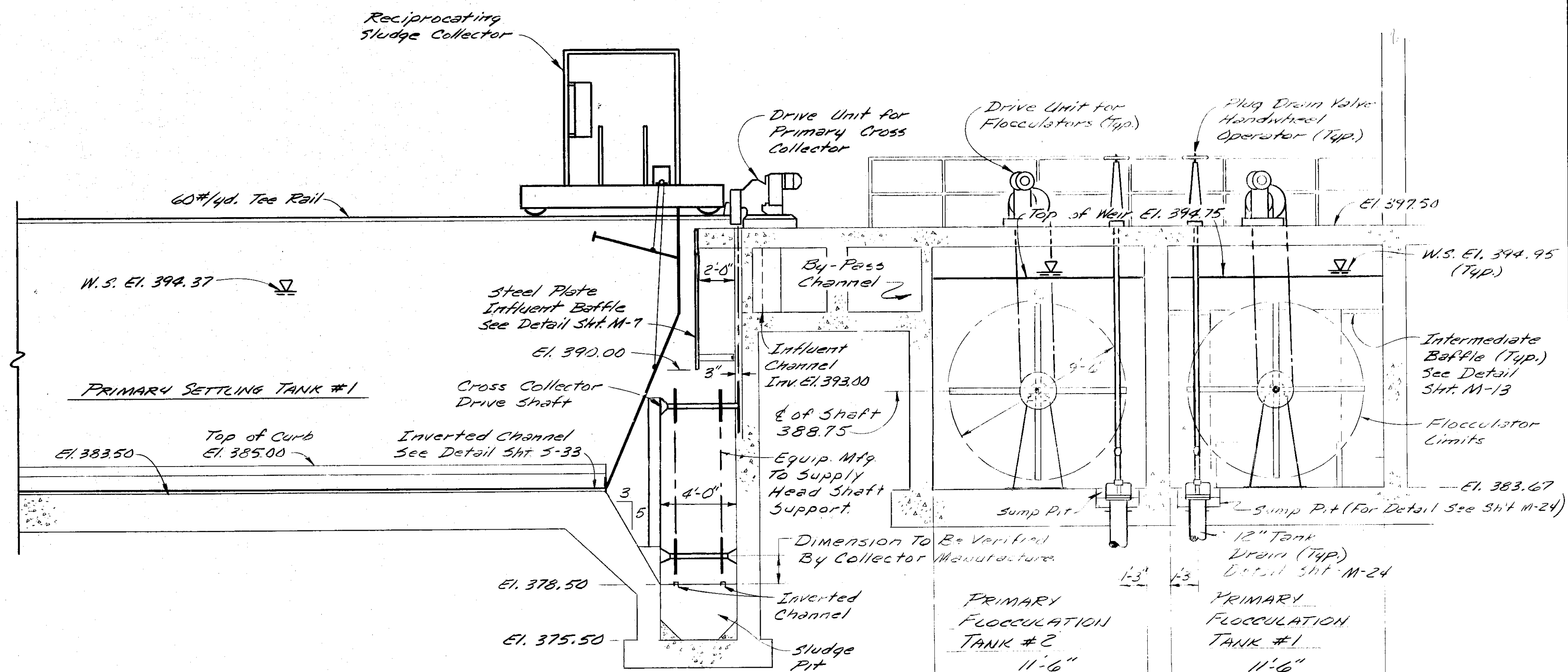
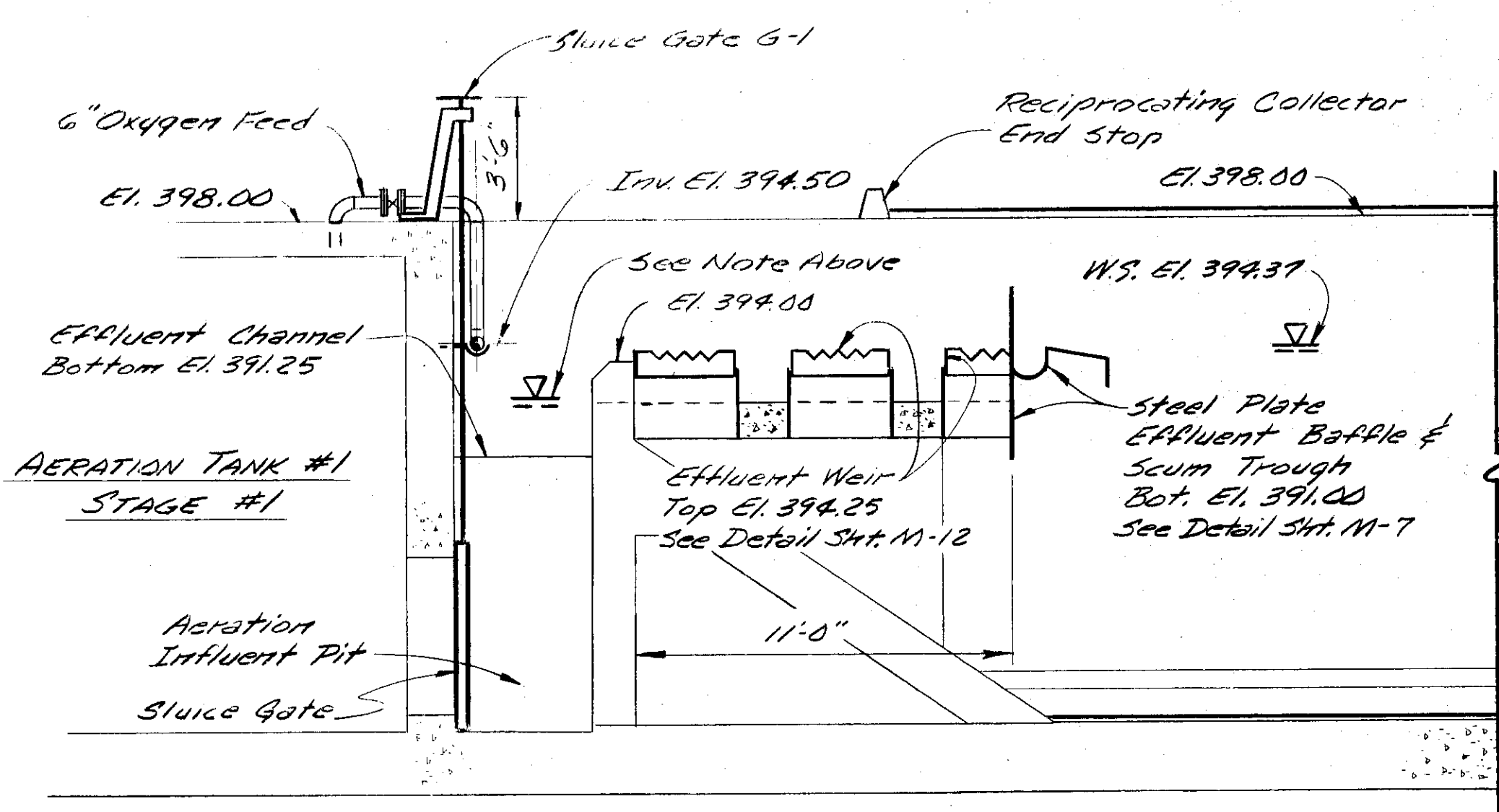


SECTION 2
M-5
Scale: 1/4" = 1'-0"



ADJUSTABLE WEIR DETAIL
FOR PRIMARY FLOCCULATION
No Scale

Note:
W.S. El. 393.10 @ Aeration Tank (6" Press. Gage)
W.S. El. 392.60 @ Aeration Tank (Atmospheric)



SECTION 1
M-5
Scale: 1/4" = 1'-0"

DESIGNED BY: *[Signature]*
CHECKED BY: *[Signature]*
MADE BY: *[Signature]*

In charge of	DESIGNED BY	CHECKED BY	MADE BY
	<i>[Signature]</i>	<i>[Signature]</i>	<i>[Signature]</i>

NO.	DATE	REVISION	INIT.
11/1/75		General Revision	<i>[Signature]</i>
3/4/77		General Revisions	<i>[Signature]</i>
2-10-76		By-Pass Channel	<i>[Signature]</i>

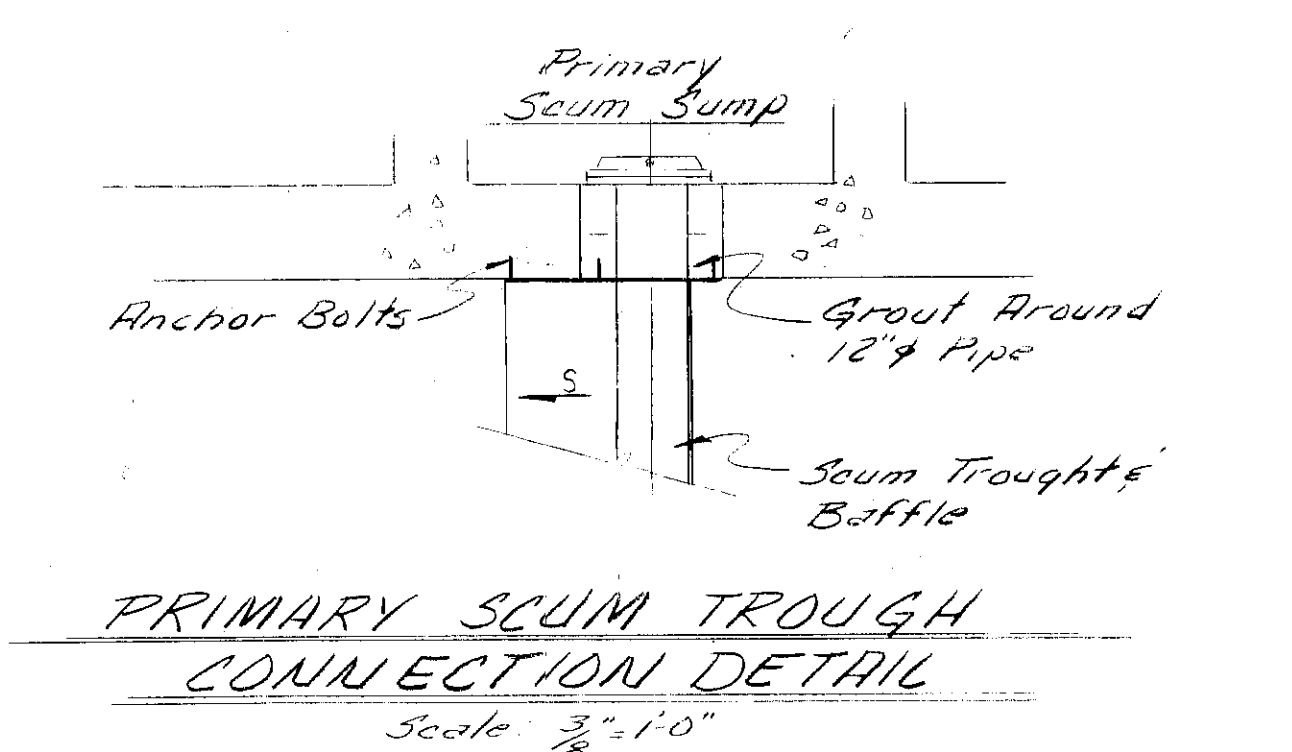
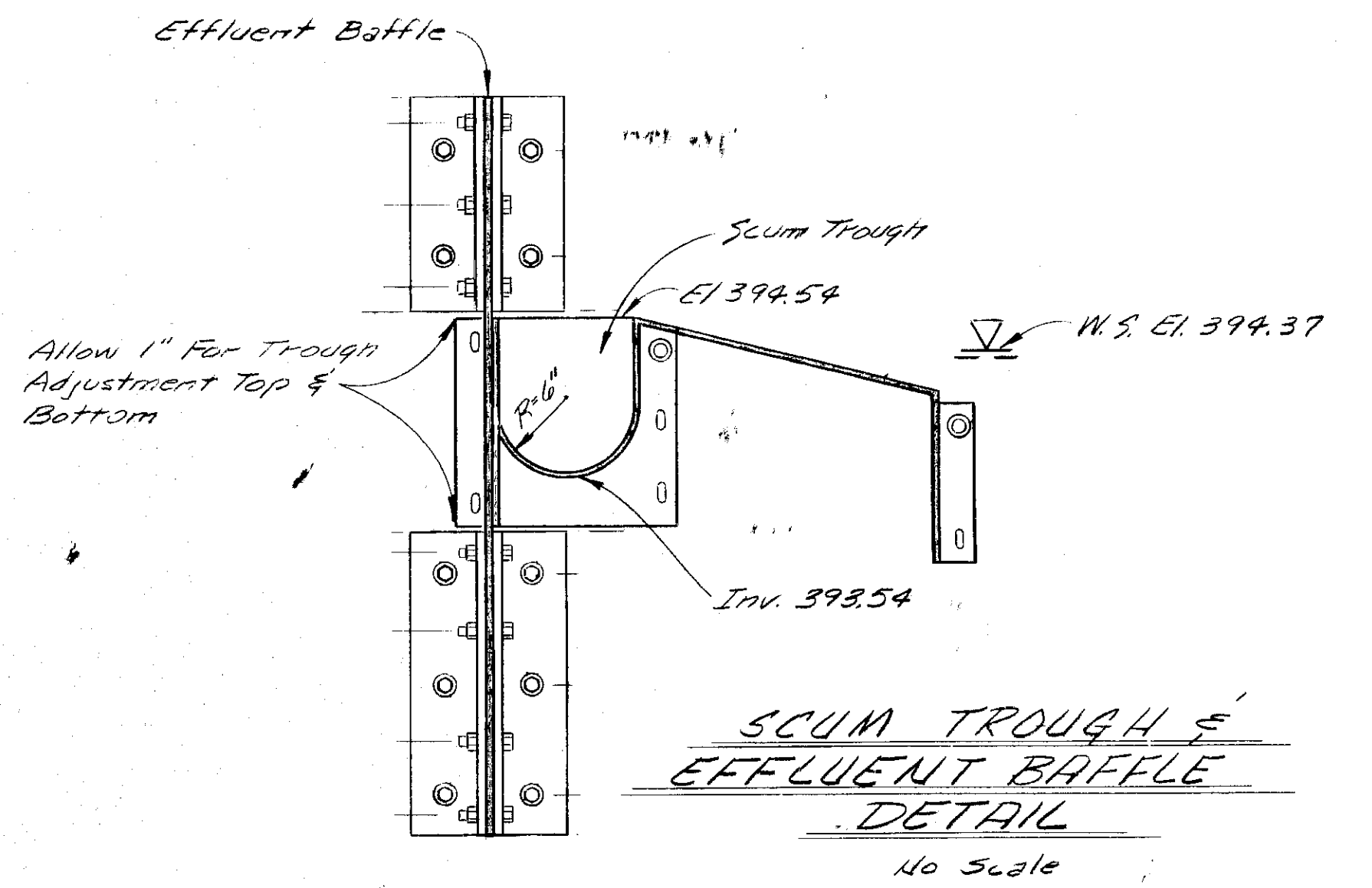
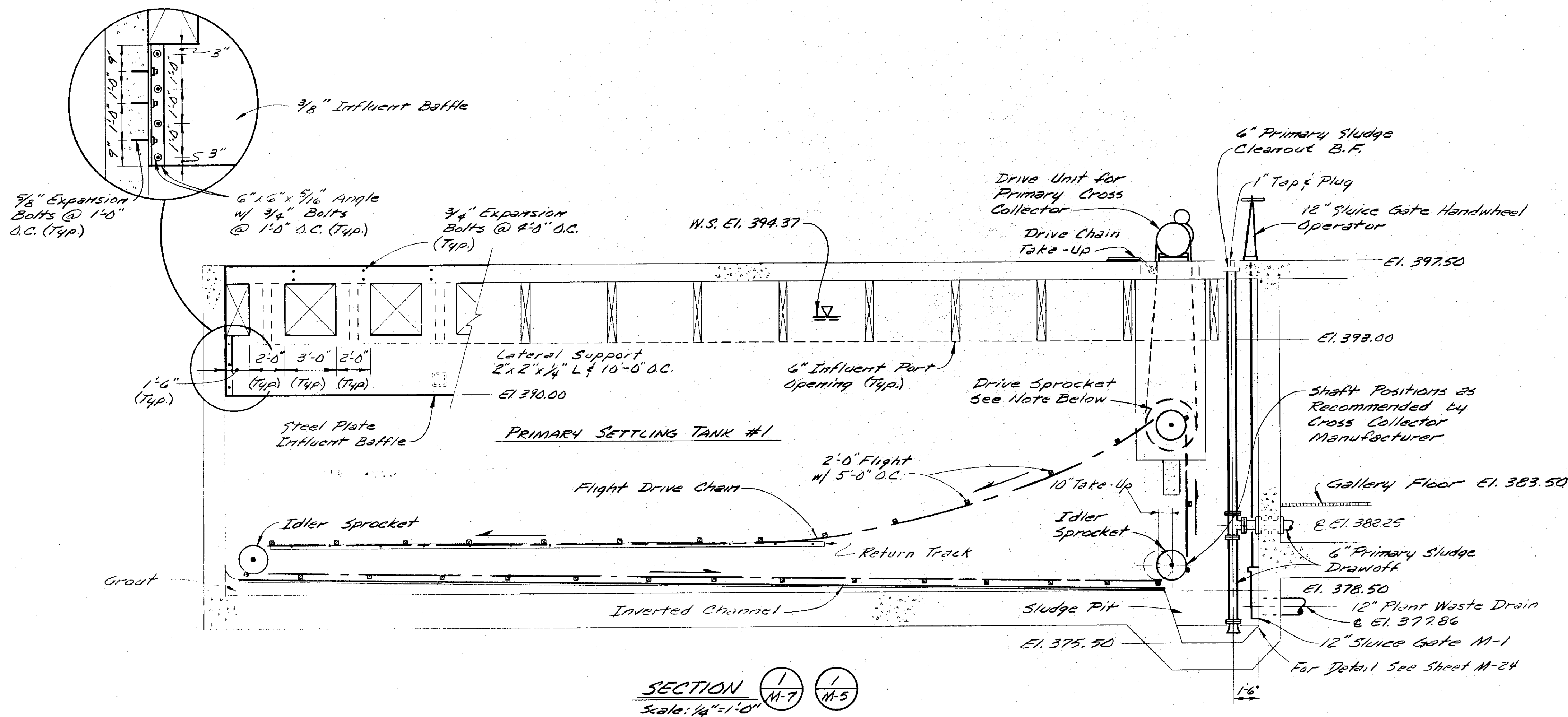
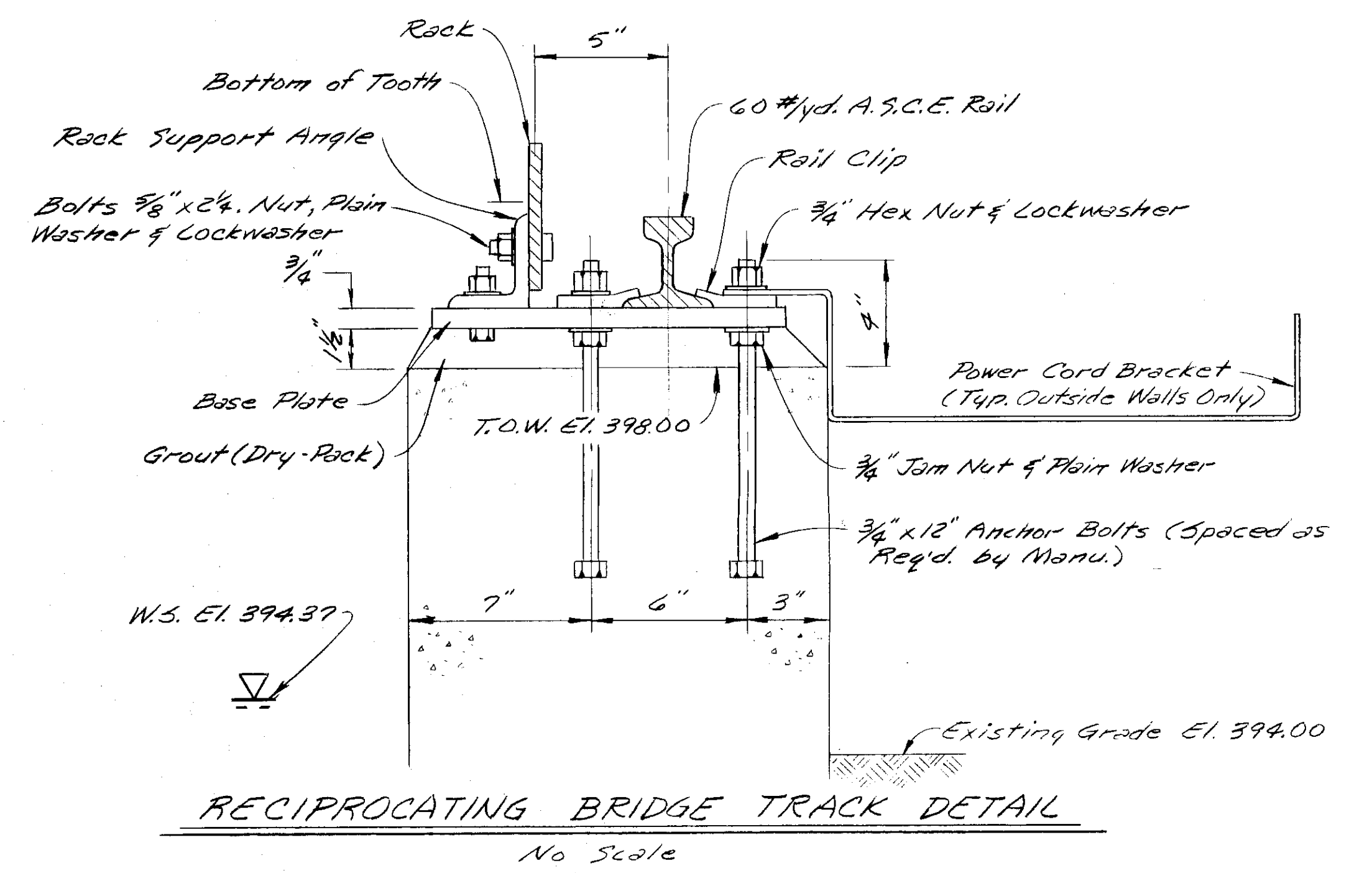
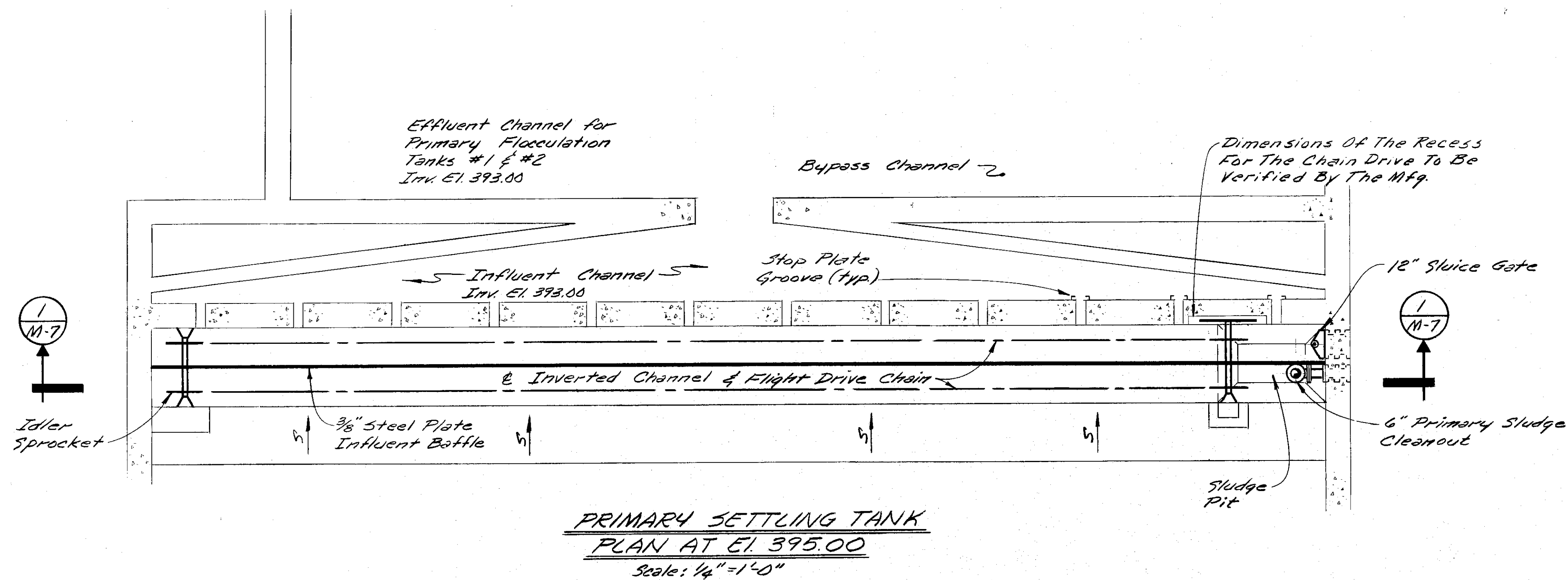
O'BRIEN & GERE
ENGINEERS, INC.
Syracuse, New York

CLAY SANITARY DISTRICT
OAK ORCHARD SERVICE AREA
OAK ORCHARD WATER POLLUTION CONTROL PLANT

MECHANICAL
PRIMARY FLOW UNITS
SECTION AND DETAILS

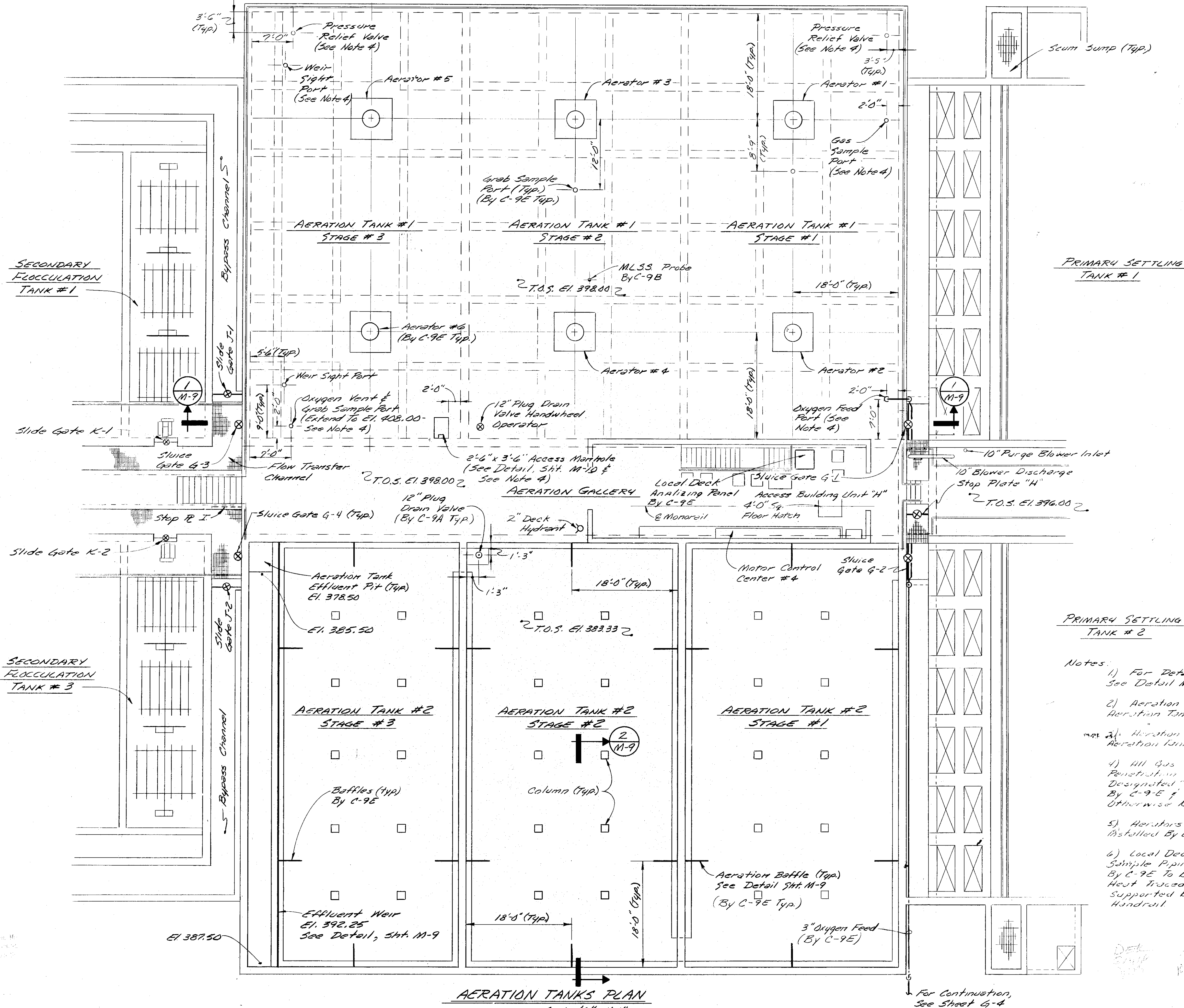
FILE NO.
115.219-019F
DATE
JULY 1, 1975

M-6

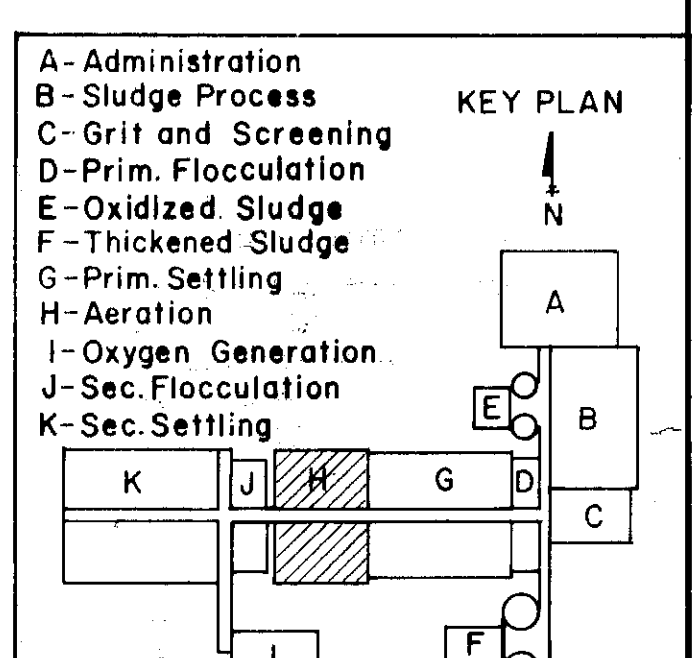


Note: Contractor shall install cross collector support & reciprocating bridge collector arms such that a minimum 3" clear dimension is maintained.

In charge of	DESIGNED BY	NO.	DATE	REVISION	INIT.	<p>O'BRIEN & GERE ENGINEERS, INC. Syracuse, New York</p>	<p>CLAY SANITARY DISTRICT OAK ORCHARD SERVICE AREA OAK ORCHARD WATER POLLUTION CONTROL PLANT</p>	<p>MECHANICAL PRIMARY FLOW UNITS SECTION AND DETAILS</p>	FILE NO.	M-7
Designed by	Checked by	2/11/78	General Revisions		115.219-020F					
Made by		3/17/77	General Revisions		DATE	JULY 1, 1975				



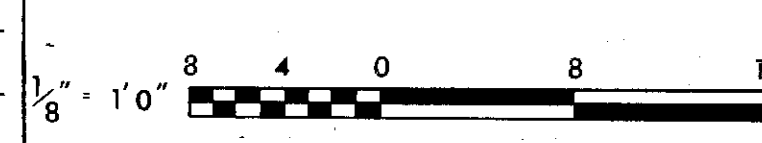
- Notes:
- 1) For Details Of Root Penetrations See Detail M-10.
 - 2) Aeration Tank #1 Opposite Hand Of Aeration Tank #2
 - 3) Aeration Tank #1 Shown @ Elev. 400.00 Aeration Tank #2 Shown @ Elev. 385.00
 - 4) All Gas Tight Aeration Tank Deck Penetration Items Embarked In Concrete Designated "By C-95" Shall Be Furnished By C-95 & Installed By C-9A Unless Otherwise Noted.
 - 5) Aerators & Baffles Shall Be Supplied & Installed By C-95
 - 6) Local Deck Sample Piping By C-95 To Be Heat Traced & Supported By Handrail.



AERATION TANKS PLAN
Scale: 1/8" = 1'-0"

Bel adlow

In charge of WSP
Designed by GRM Checked by WSP
Made by MJD



NO.	DATE	REVISION	INIT.
1/1/78		General Revisions	WSP
5/1/77		General Revisions	MJD

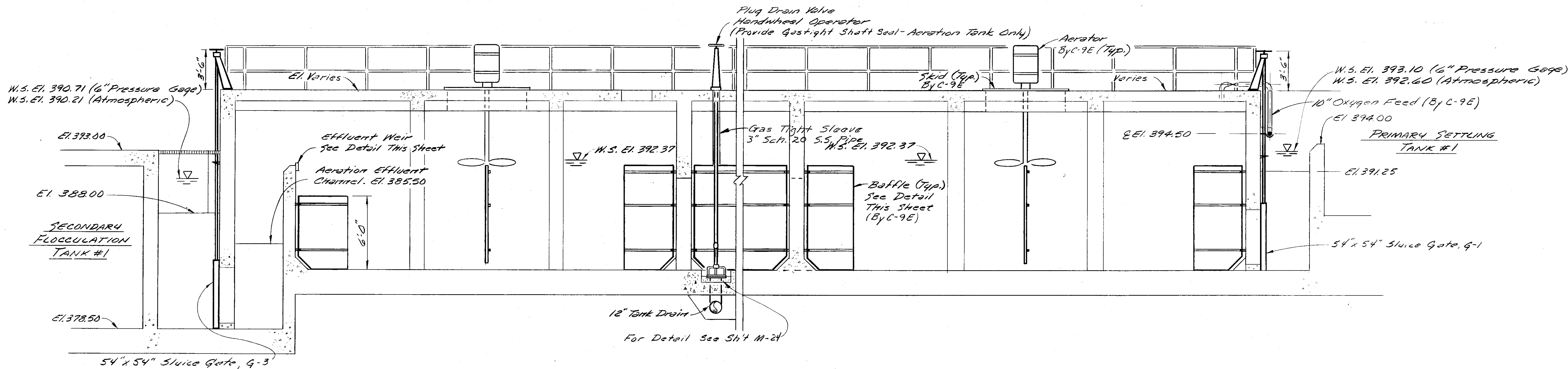
O'BRIEN & GERE
ENGINEERS, INC.
Syracuse, New York

CLAY SANITARY DISTRICT
OAK ORCHARD SERVICE AREA
OAK ORCHARD WATER POLLUTION CONTROL PLANT

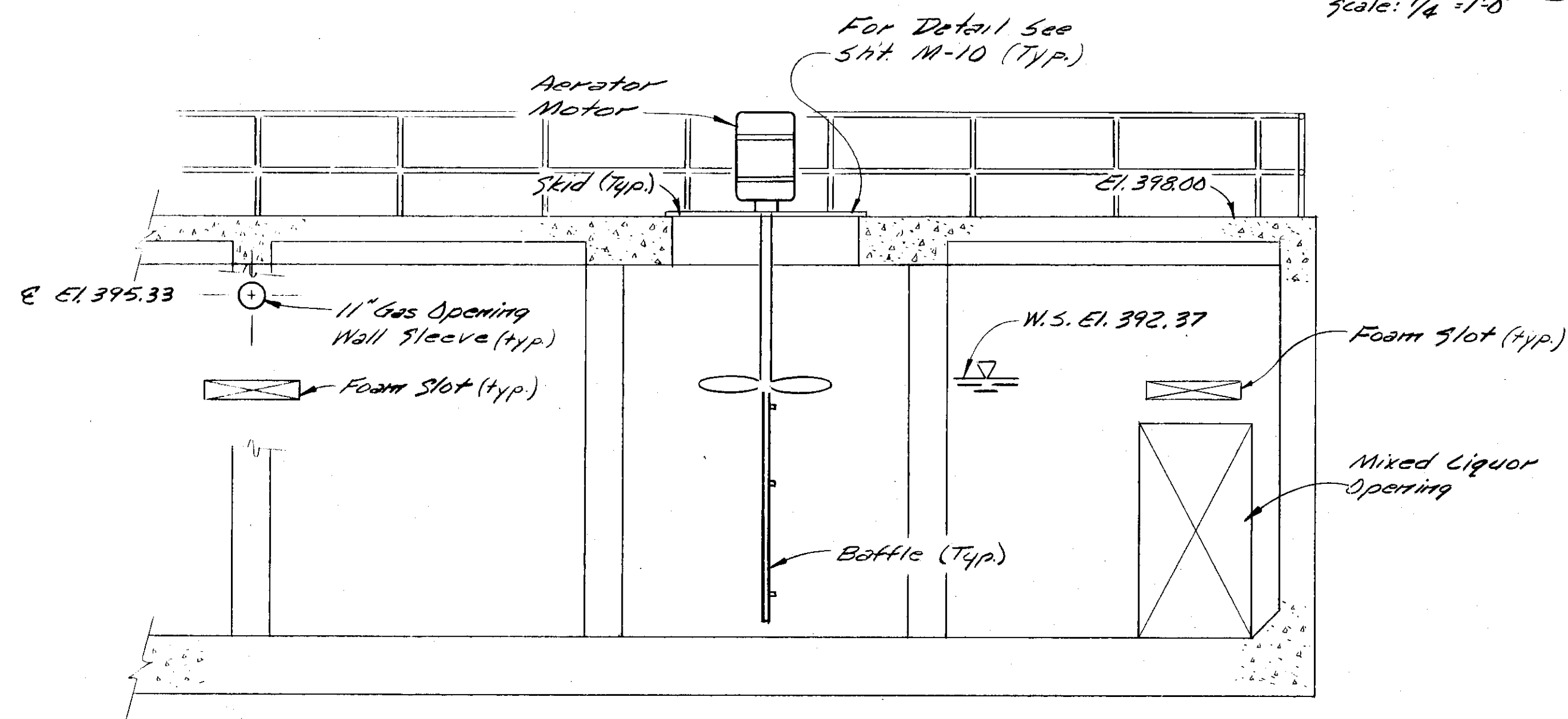
MECHANICAL
AERATION TANK
PLAN

FILE NO.
115.219-021F
DATE
JULY 1, 1975

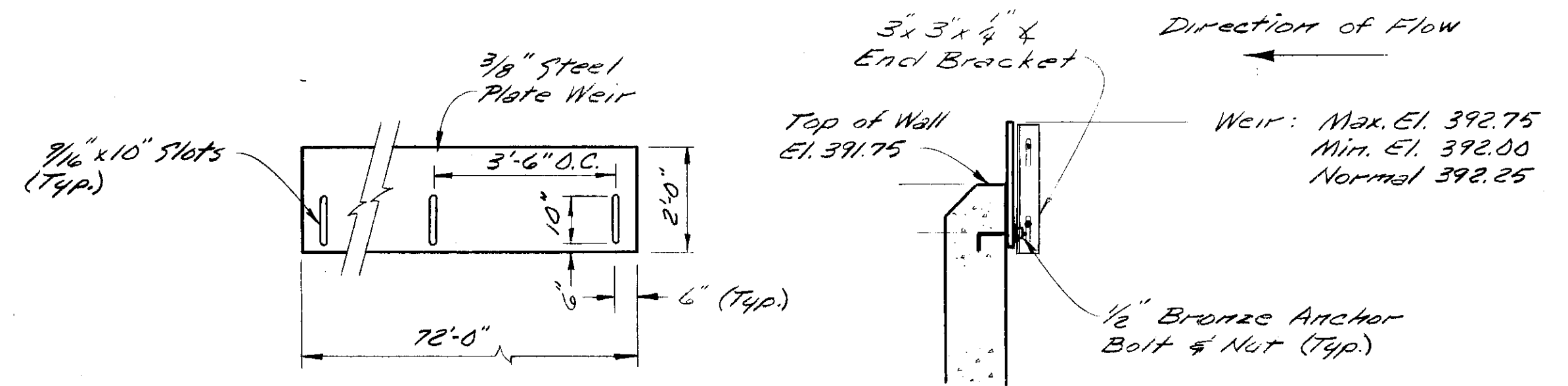
M-8



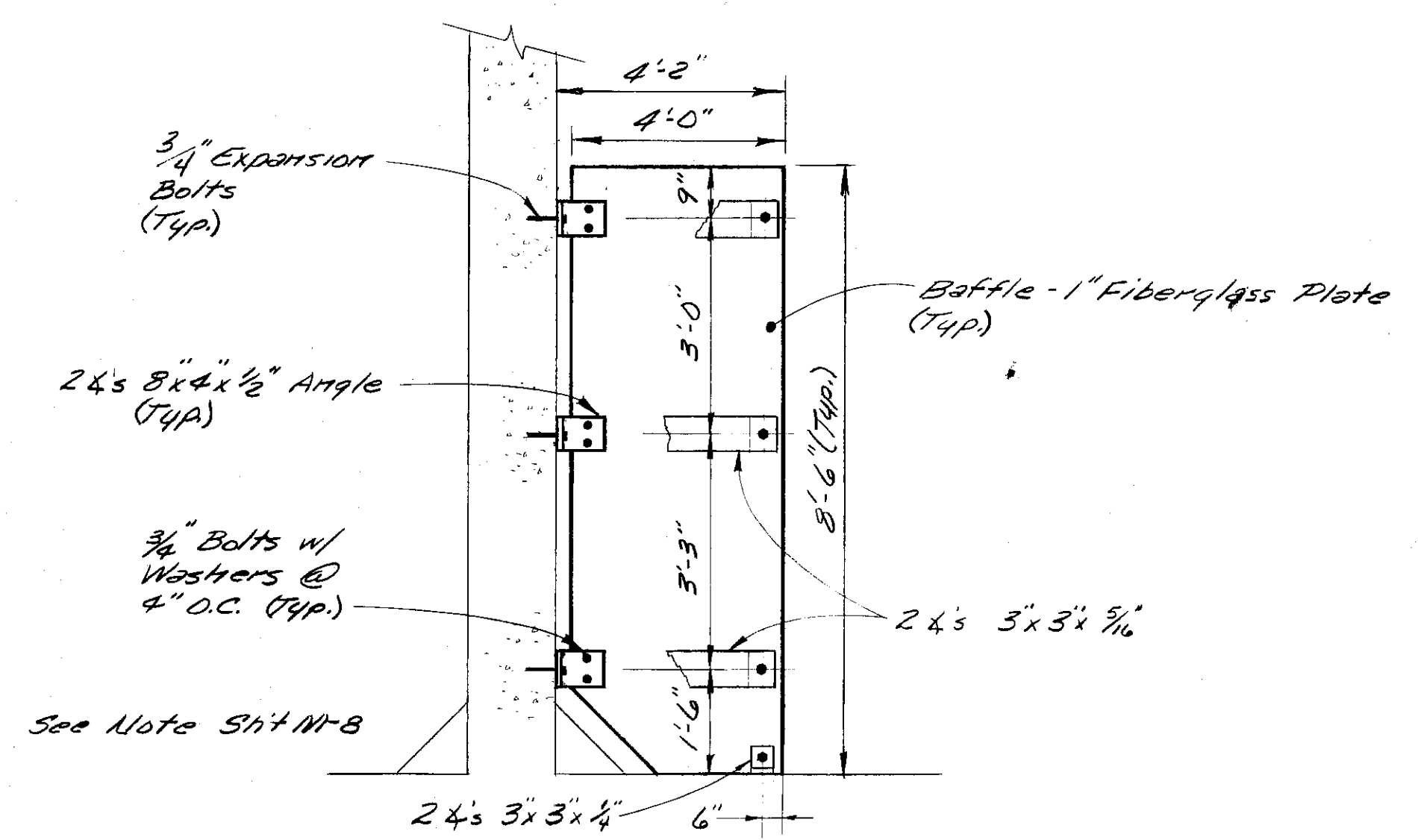
SECTION 1
M-8
Scale: 1/4" = 1'-0"



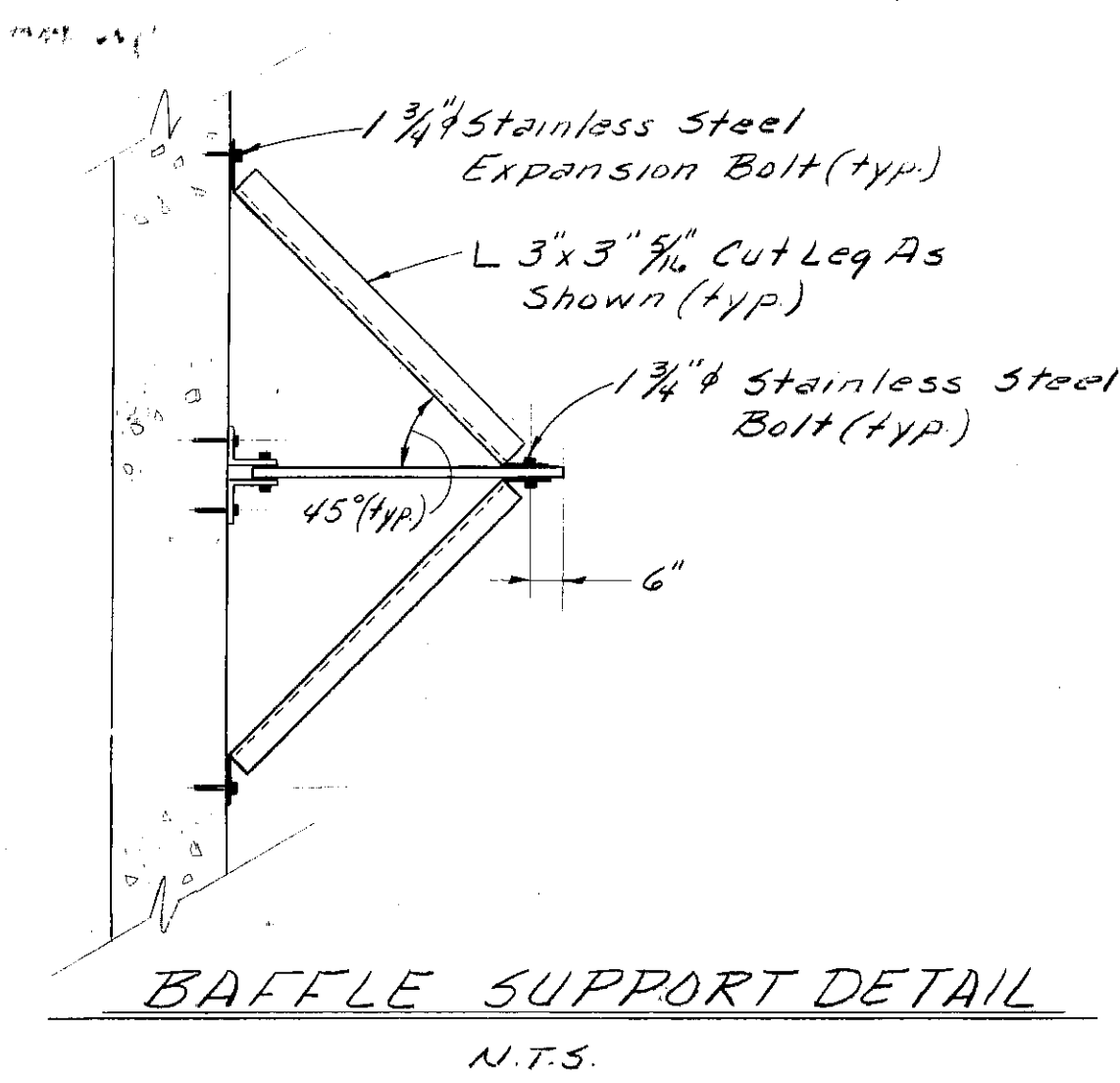
SECTION 2
M-8
Scale: 1/4" = 1'-0"



ADJUSTABLE WEIR DETAIL
No Scale



BAFFLE DETAIL
No Scale

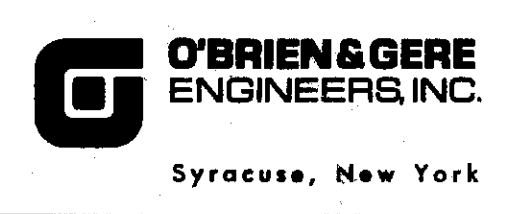


BAFFLE SUPPORT DETAIL
N.T.S.

Bluelaw



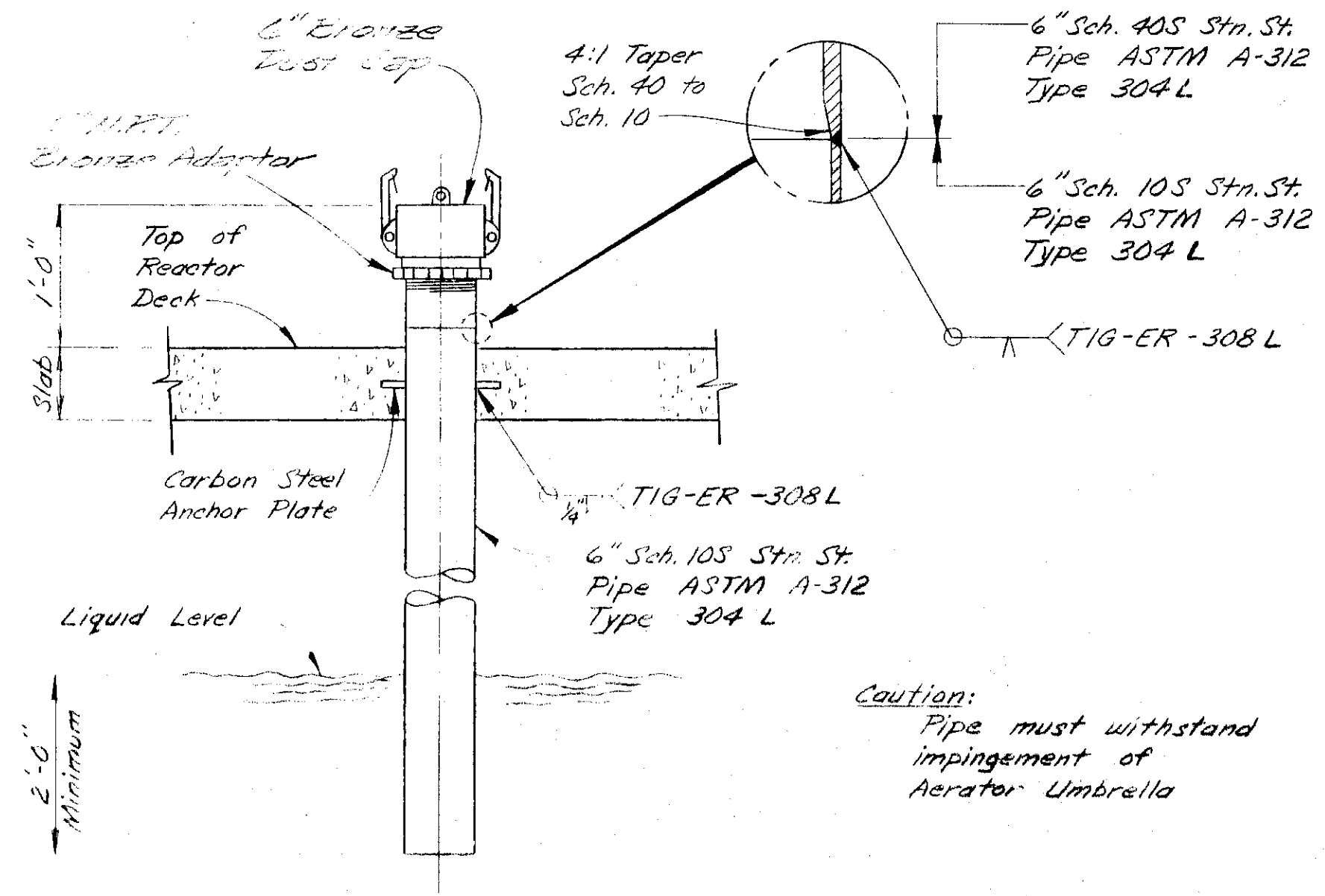
In charge of <u>WJP</u>	NO.	DATE	REVISION	INIT.
Designed by <u>GRM</u> Checked by <u>WJP</u>				
Made by <u>MJD</u>				
	11/17/78	General Revised		JM
	5/4/77	General Revisions		JM



CLAY SANITARY DISTRICT
OAK ORCHARD SERVICE AREA
OAK ORCHARD WATER POLLUTION CONTROL PLANT

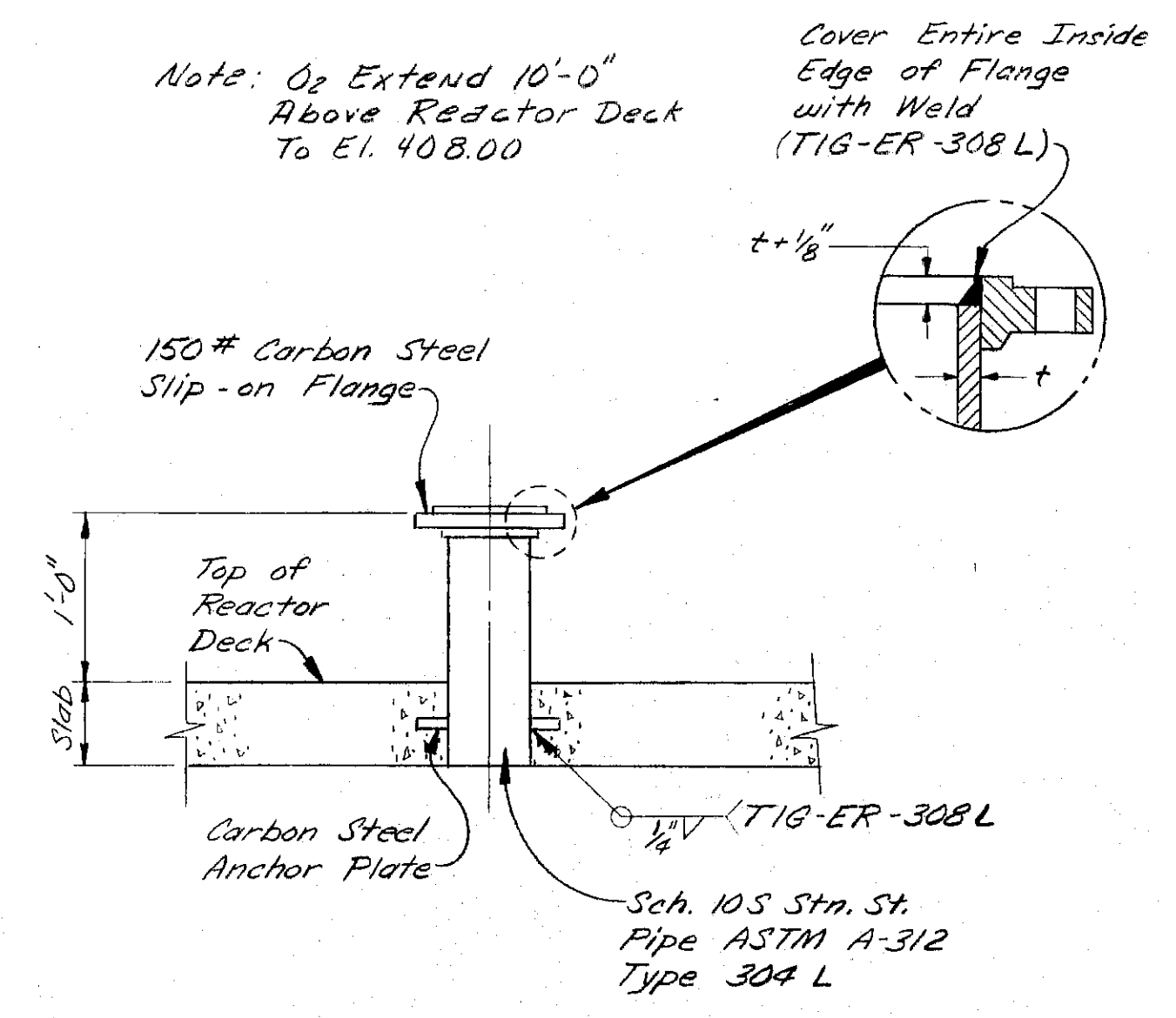
MECHANICAL
AERATION TANK
SECTIONS & DETAILS

FILE NO. 115.219-022F	M-9
DATE JULY 1, 1975	

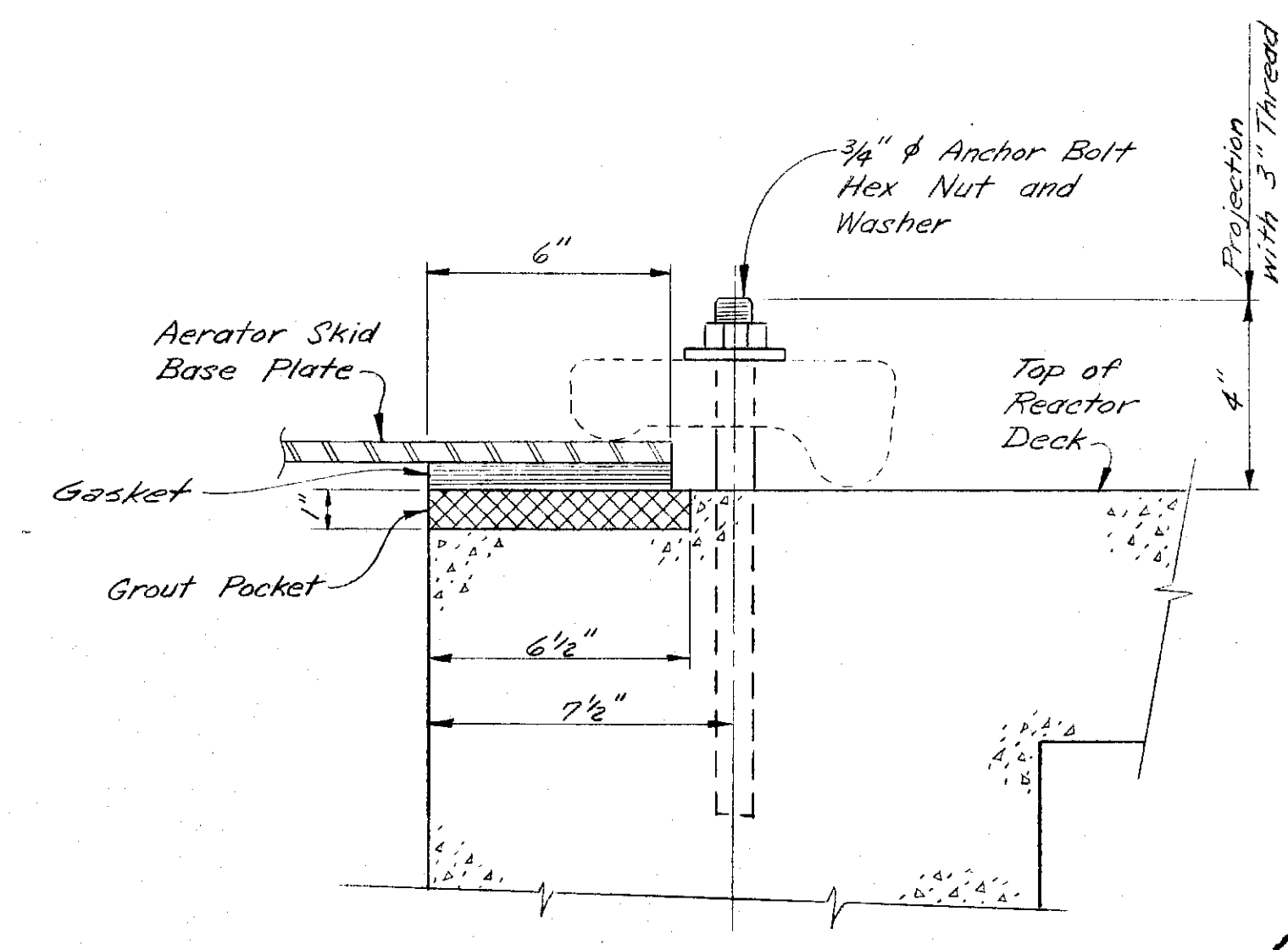


TYPICAL GRAB PORT DETAIL
N.T.S.

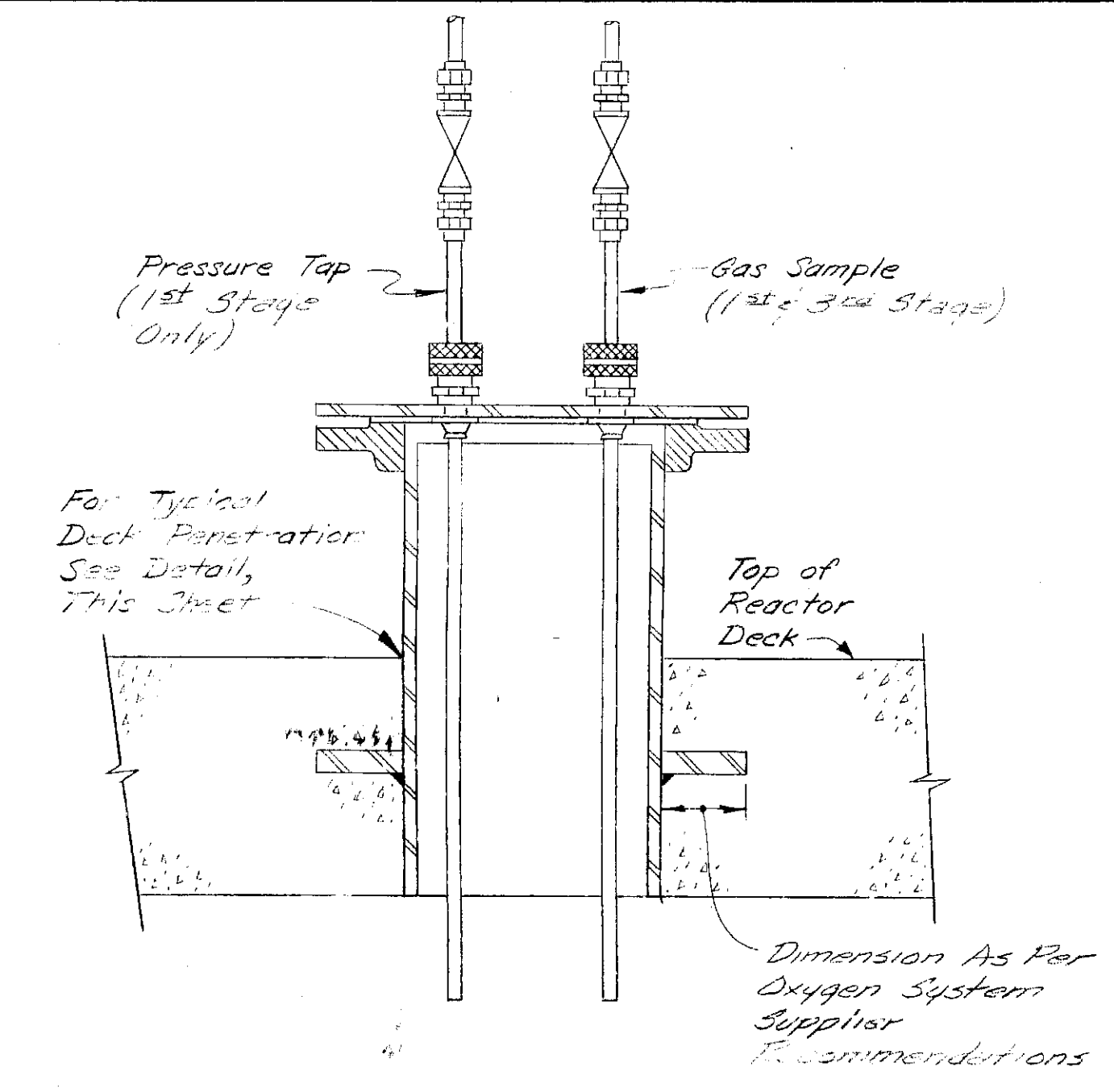
Caution:
Pipe must withstand
impingement of
Aerator Umbrella



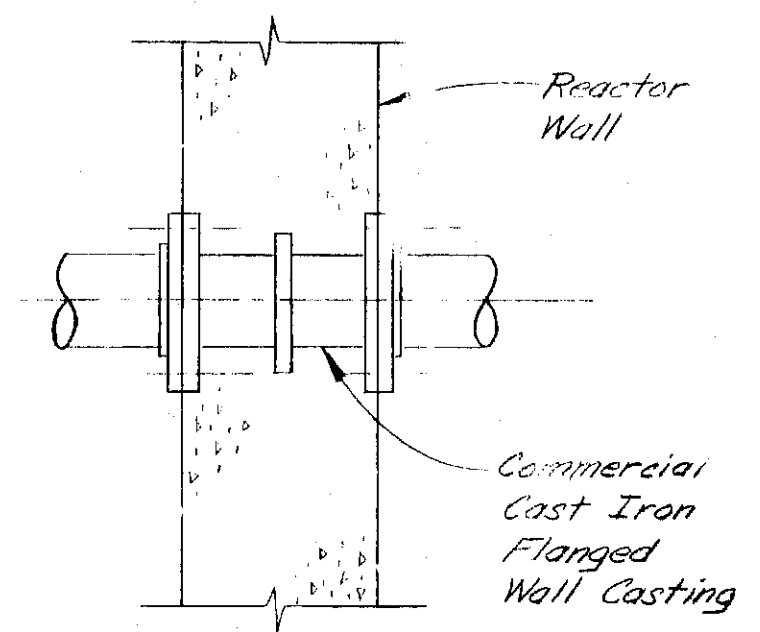
TYPICAL DECK PENETRATION DETAIL
(O₂ SUPPLY, O₂ VENT, RELIEF VALVE, GAS SAMPLE)
N.T.S.



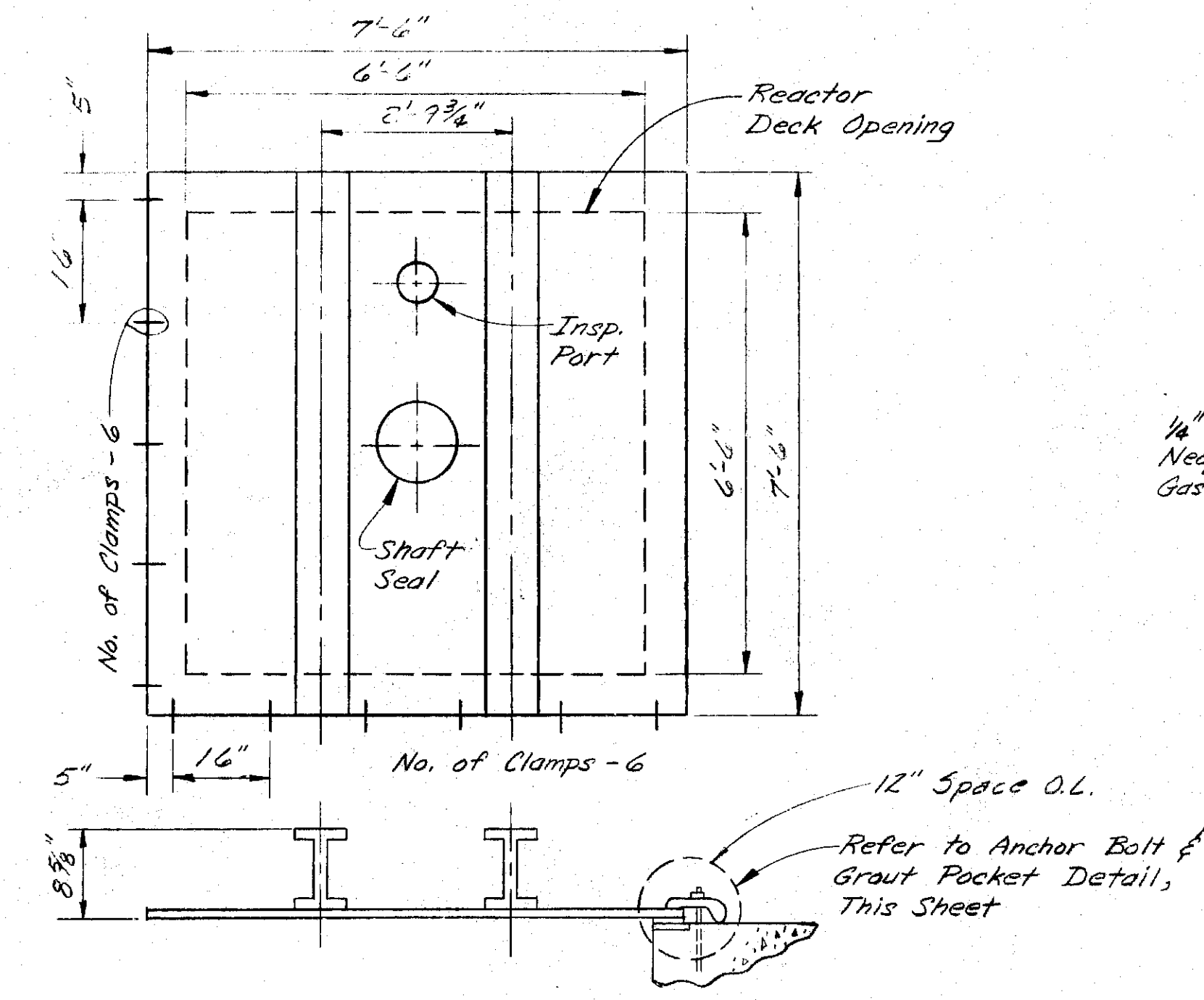
TYPICAL ANCHOR BOLT & GROUT POCKET DETAIL
(AERATOR SKID)
N.T.S.



TYPICAL GAS SAMPLE PORT INSTALLATION DETAIL
(VALVES SUPPLIED BY OX4GEN GENERATION MANUFACTURER)
N.T.S.

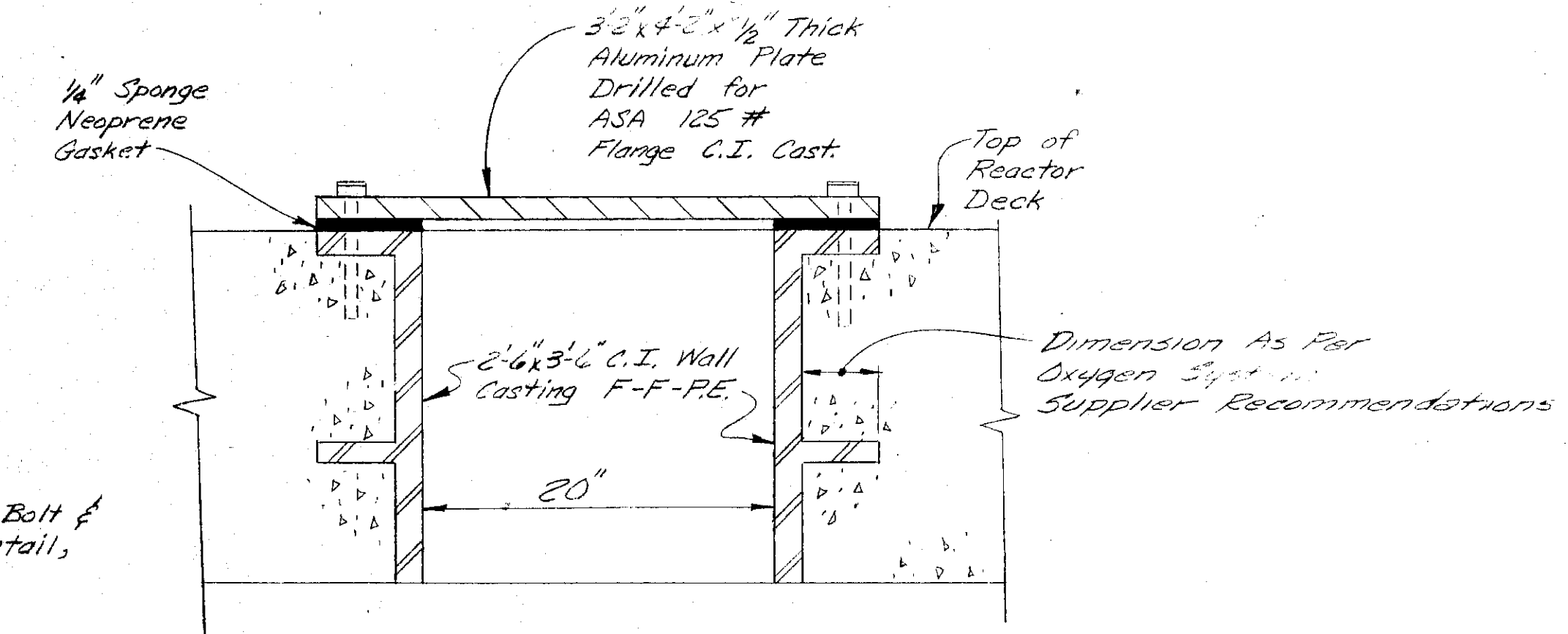


TYPICAL SIDE-WALL PENETRATION DETAIL
(SLUDGE FILTER & WASTE ACTIVATED)
N.T.S.



TYPICAL AERATOR SKID-ANCHOR BOLTING DETAIL
(SKID, CLAMPS & GASKET SUPPLIED BY C-9E)

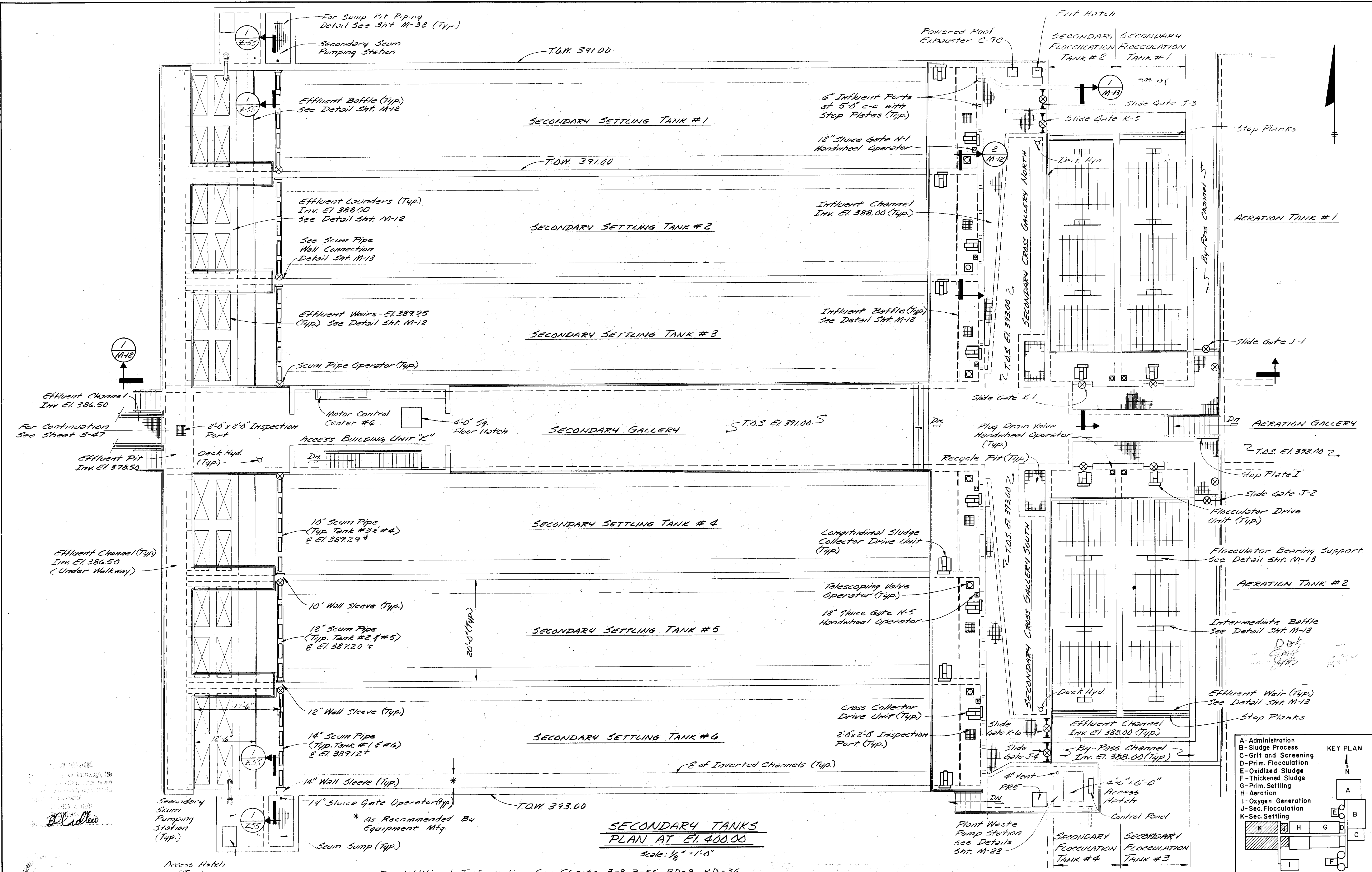
Aerator & Support To Be Supplied & Installed By C-9E.



SEALED ACCESS DETAIL
N.T.S.

301 dlow

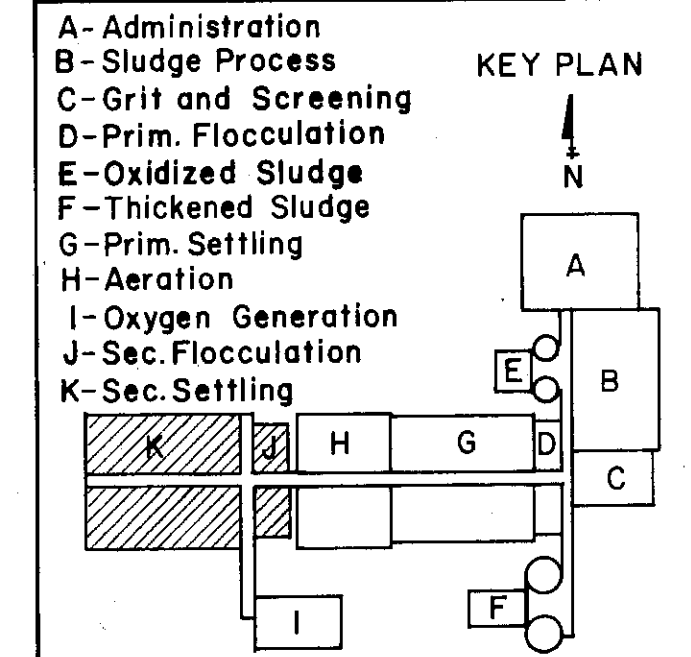
In charge of <u>CSB</u> Designed by <u>CSB</u> Checked by <u>CSB</u> Made by <u>CSB</u>	NO SCALE	NO.	DATE	REVISION	INIT.	 O'BRIEN & GERE ENGINEERS, INC. SYRACUSE, NEW YORK	CLAY SANITARY DISTRICT OAK ORCHARD SERVICE AREA OAK ORCHARD WATER POLLUTION CONTROL PLANT	MECHANICAL AERATION TANK DETAILS	FILE NO. 115.219-023F	M-10
		DATE JULY 1, 1975								



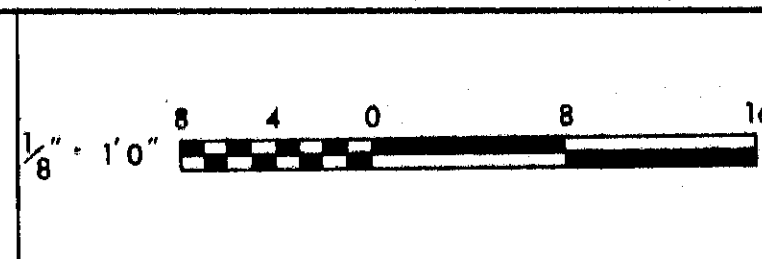
**SECONDARY TANKS
PLAN AT EL. 400.00**

Scale: 1/8" = 1'-0"

For Additional Information See Sheets Z-9, Z-55, RD-8, RD-36



In charge of _____
 Designed by _____ Checked by _____
 Made by _____



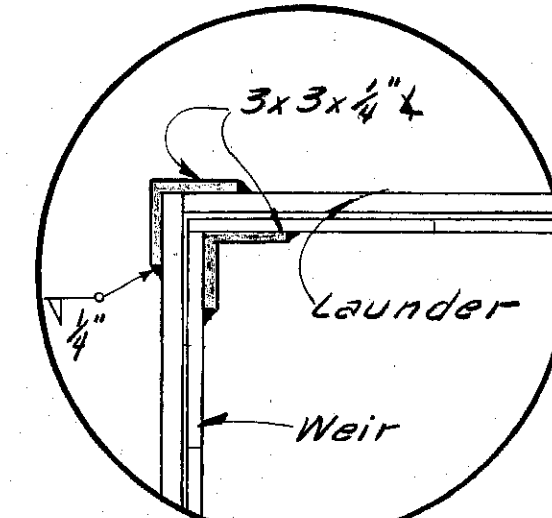
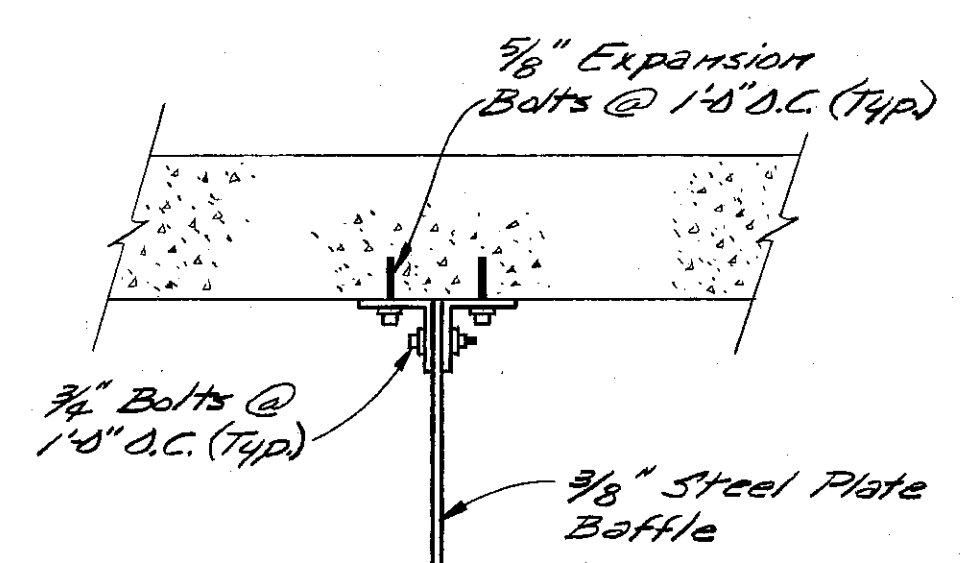
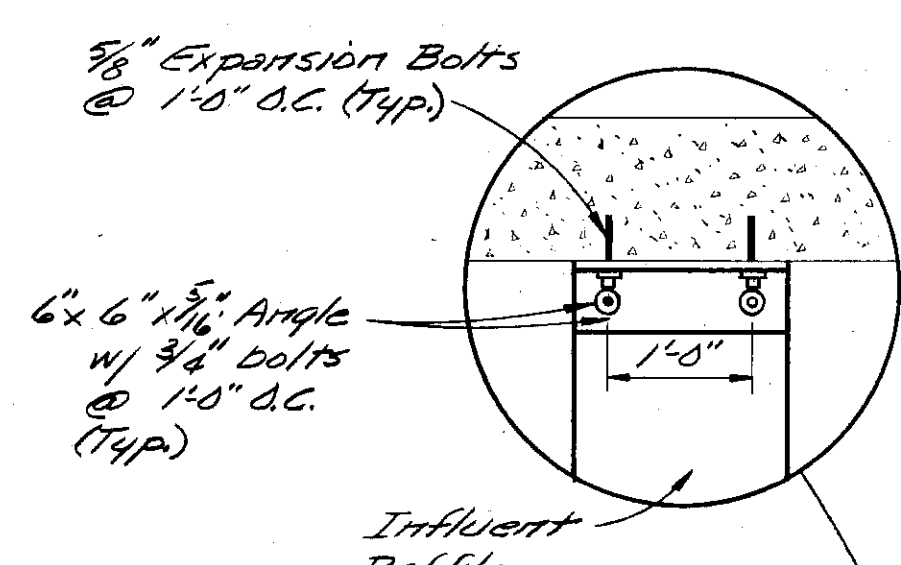
NO.	DATE	REVISION	INIT.
4678		General Revisions	
5747		General Revisions	

O'BRIEN & GERE
 ENGINEERS, INC.
 Syracuse, New York

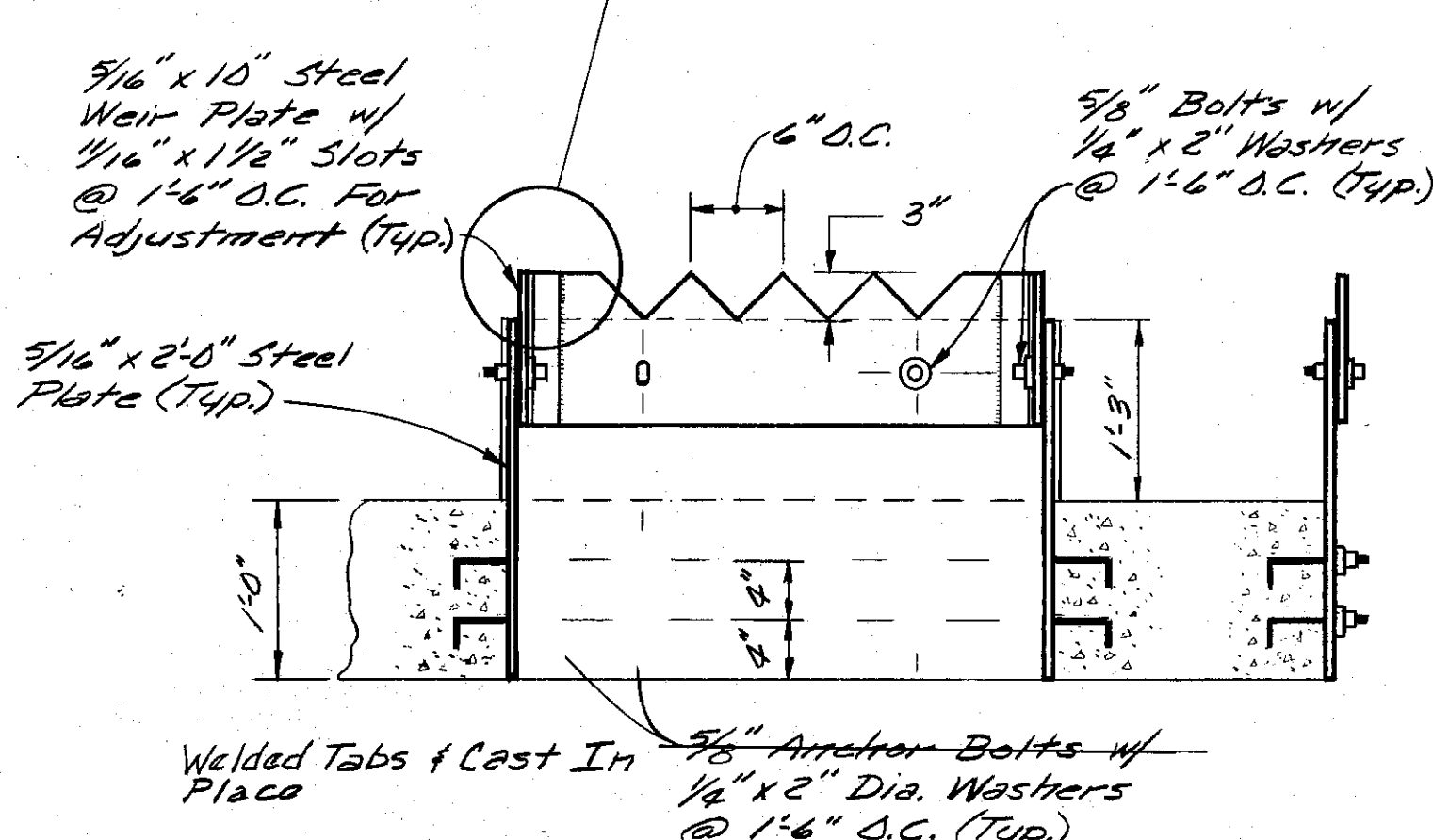
**CLAY SANITARY DISTRICT
 OAK ORCHARD SERVICE AREA
 OAK ORCHARD WATER POLLUTION CONTROL PLANT**

MECHANICAL
**SECONDARY FLOW UNITS
 PLAN**

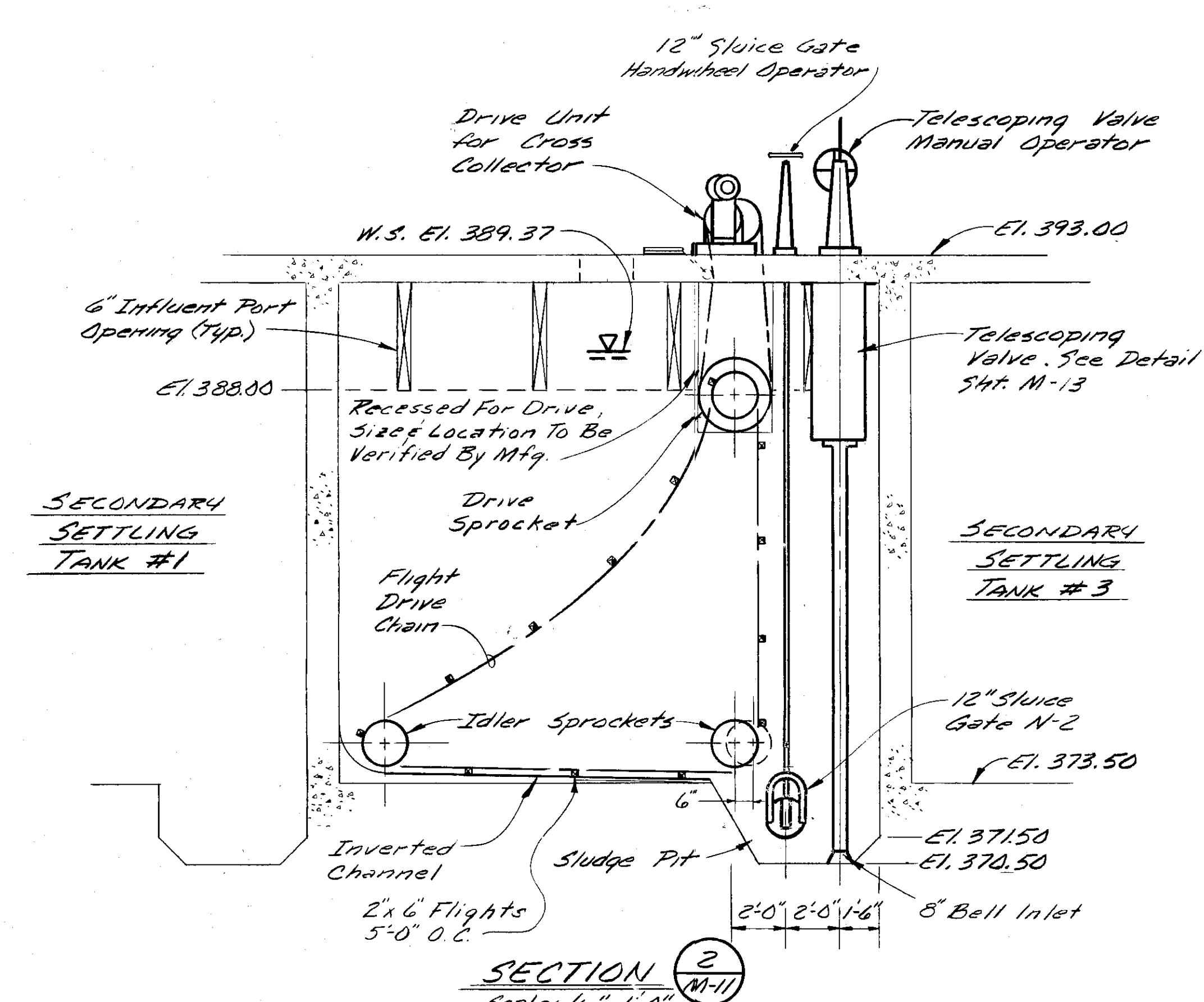
FILE NO.
115.219-024F
 DATE
JULY 1, 1975
M-11



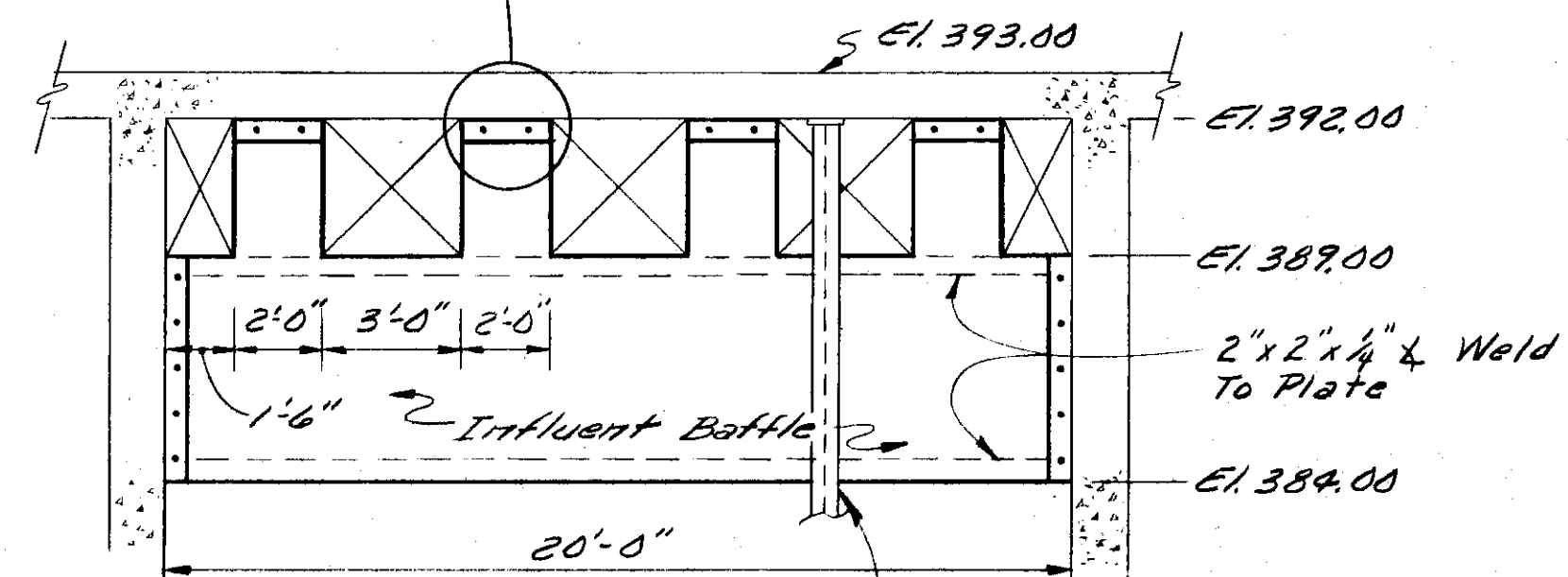
TOP-SECTION
(Typical For Top Section
Of Effluent Baffle)



**ADJUSTABLE WEIR DETAIL FOR
PRIMARY & SECONDARY SETTLING TANKS**
No Scale

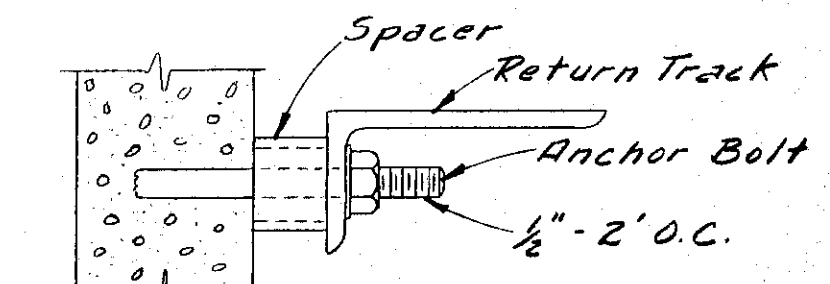


SECTION 2
Scale: 1/4" = 1'-0"

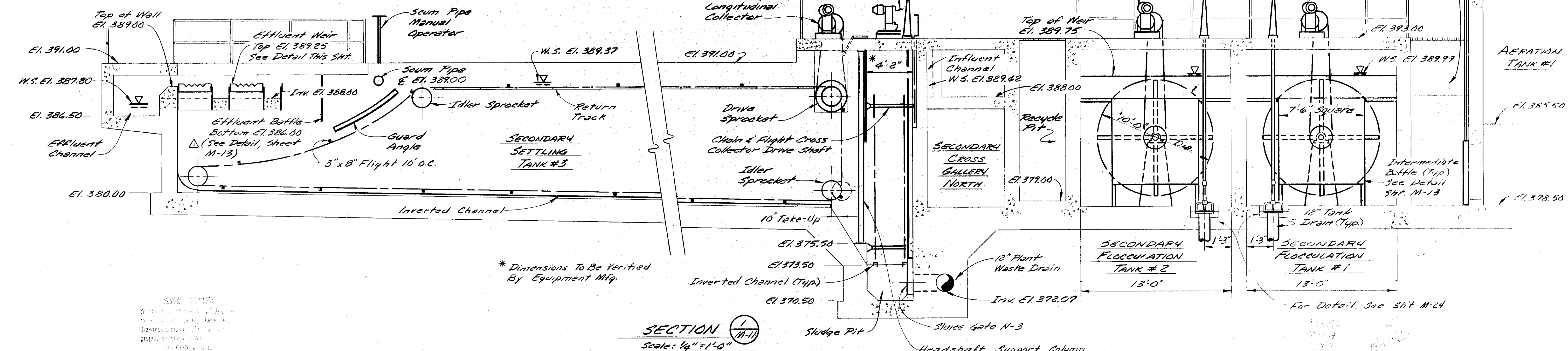


Headshaft Support Column
Size To Be Verified w/ Equip Mfg.

**SETTLING TANK
INFLUENT Baffle DETAIL**
No Scale



DETAIL OF RETURN TRACKS
N.T.S.



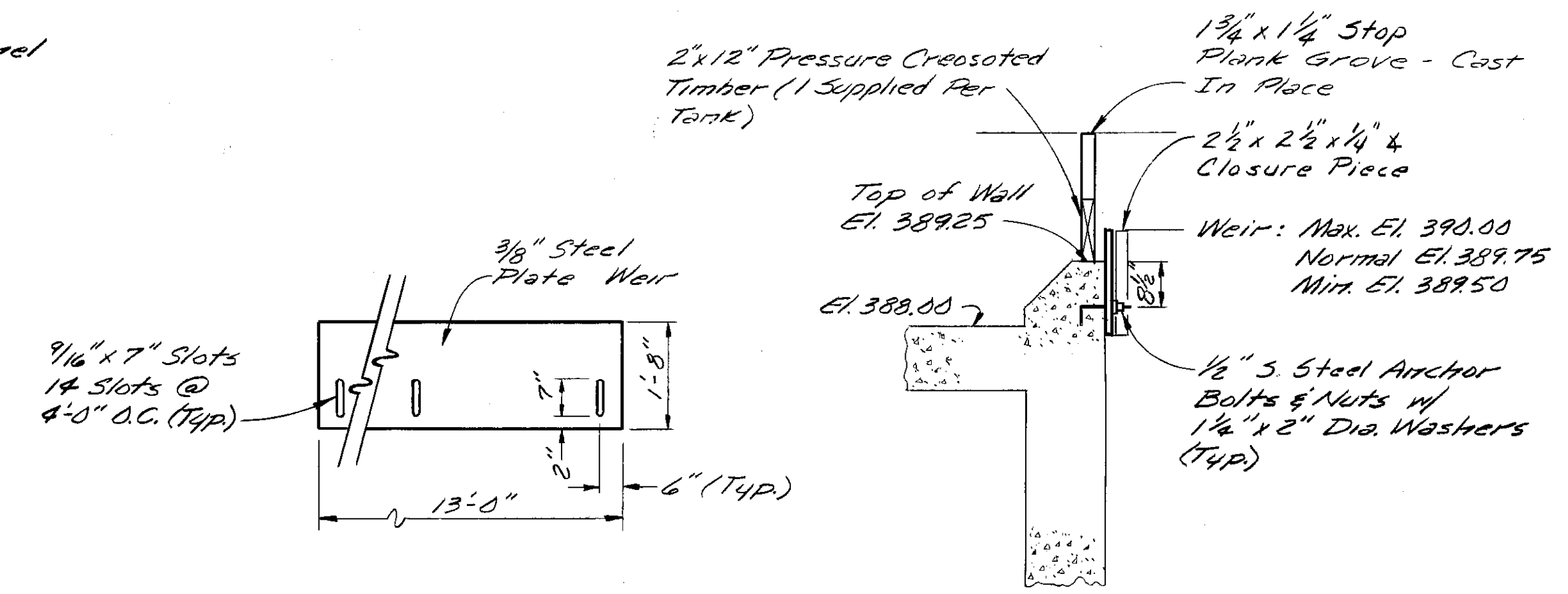
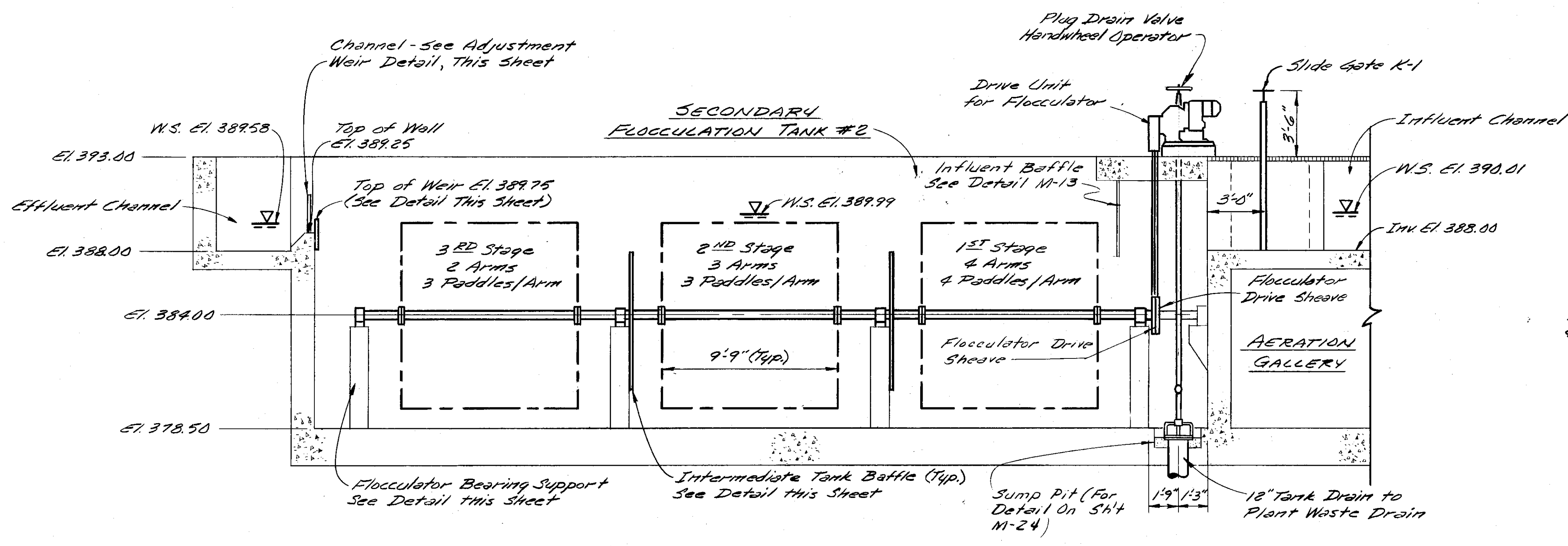
SECTION 1
Scale: 1/4" = 1'-0"

* Dimensions To Be Verified
By Equipment Mfg.

REVISIONS
To the best of our knowledge and
belief, the information shown on this
drawing was true and correct at the
time it was prepared.

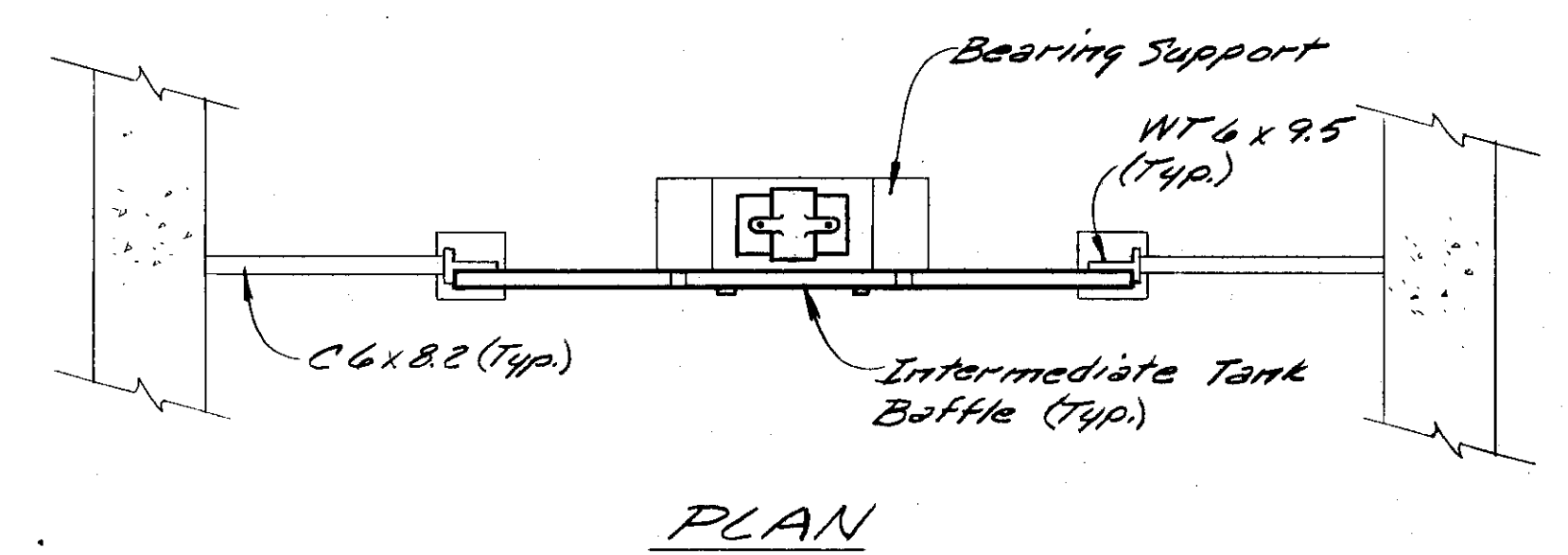
JDL

In charge of <u>WSP</u> Designed by <u>GRM</u> Checked by <u>WSP</u> Made by <u>MLP</u>		NO.	DATE	REVISION	INIT.	O'BRIEN & GERE ENGINEERS, INC. Syracuse, New York	CLAY SANITARY DISTRICT OAK ORCHARD SERVICE AREA OAK ORCHARD WATER POLLUTION CONTROL PLANT	MECHANICAL SECONDARY FLOW UNITS SECTION AND DETAILS	FILE NO. 115.219-025F
		3/16/78 5/14/77 8/14/76	General Revisions General Revisions CHANGED EFFLUENT Baffle NOTE	ML ML ML	DATE JULY 1, 1975				M-12

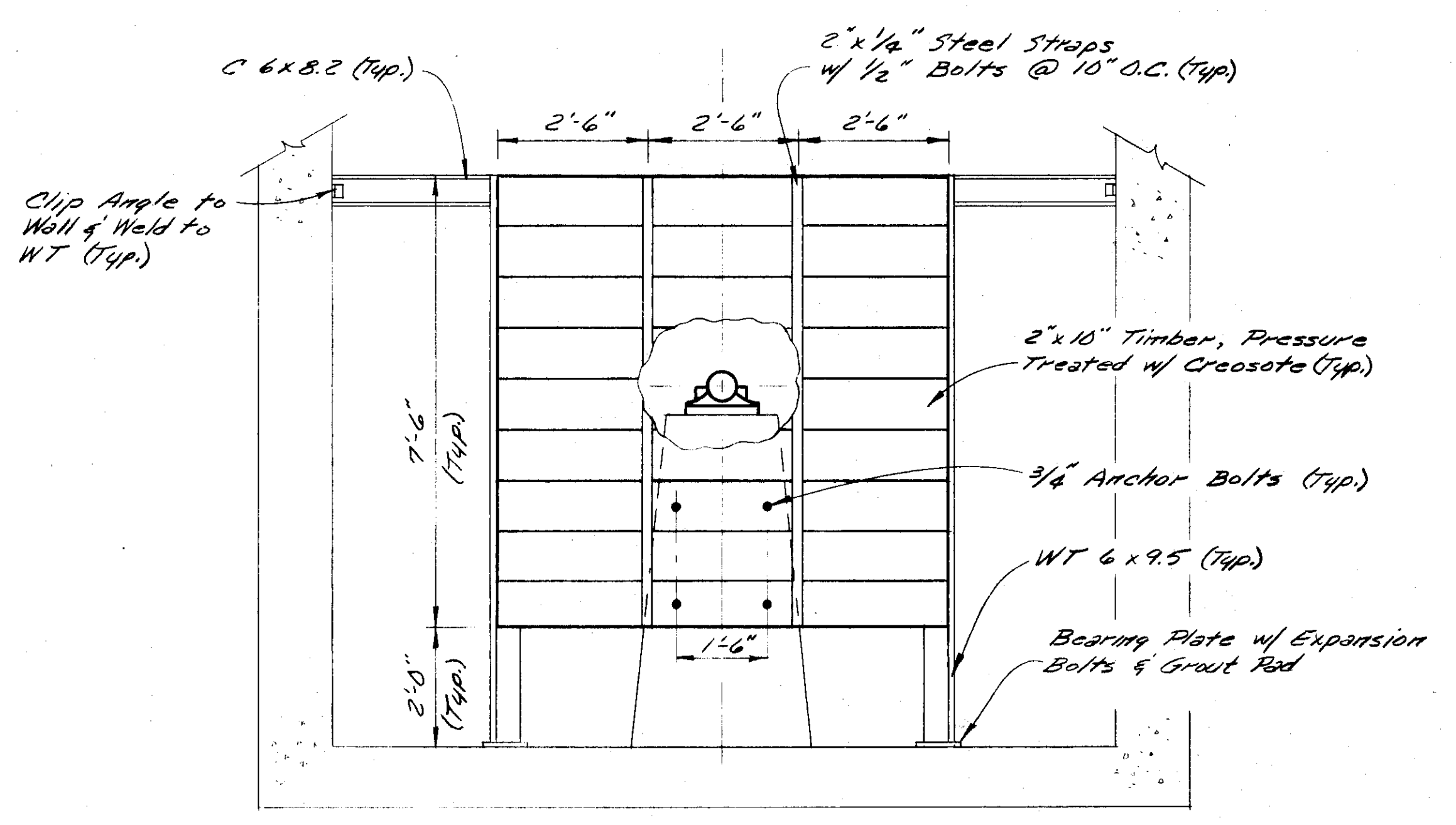


SECTION 1/M-11
Scale: 1/4"=1'-0"

ADJUSTABLE WEIR DETAIL FOR SECONDARY FLOCCULATION
No Scale

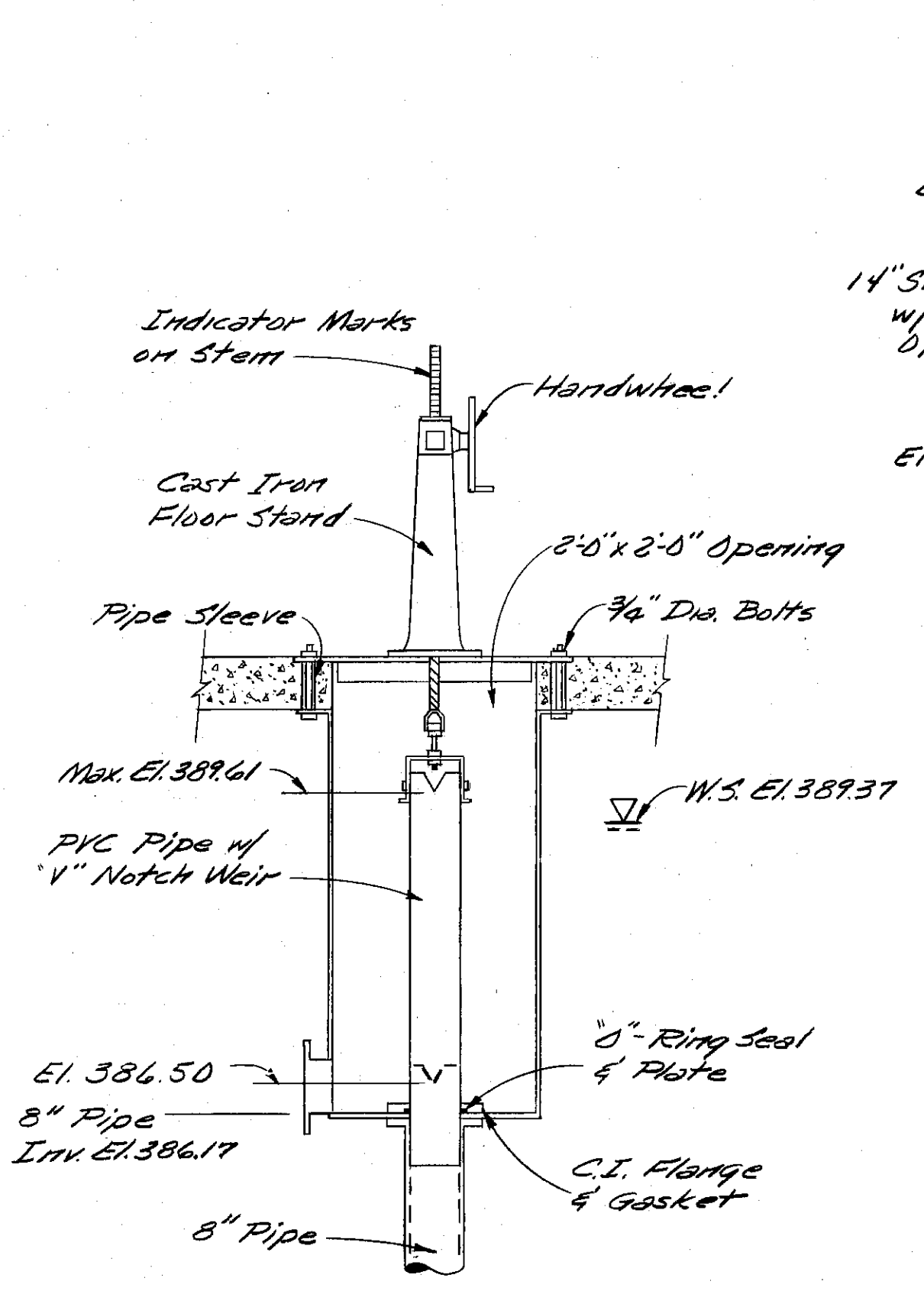


PLAN

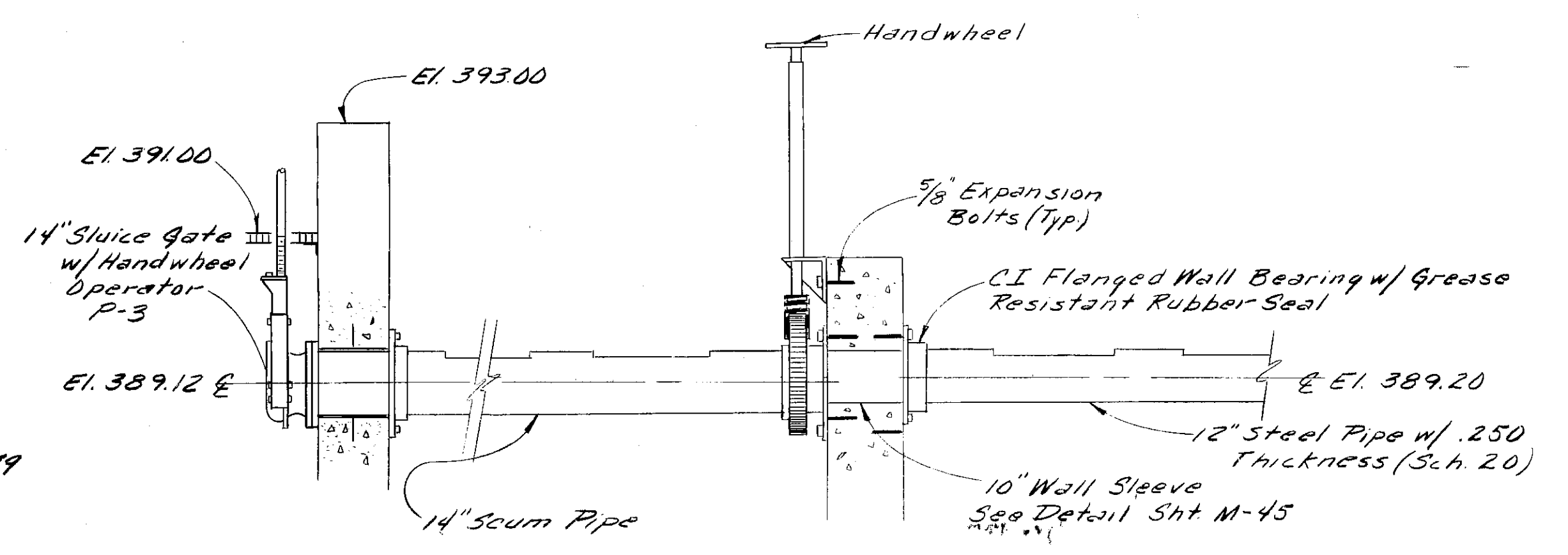


SECTION

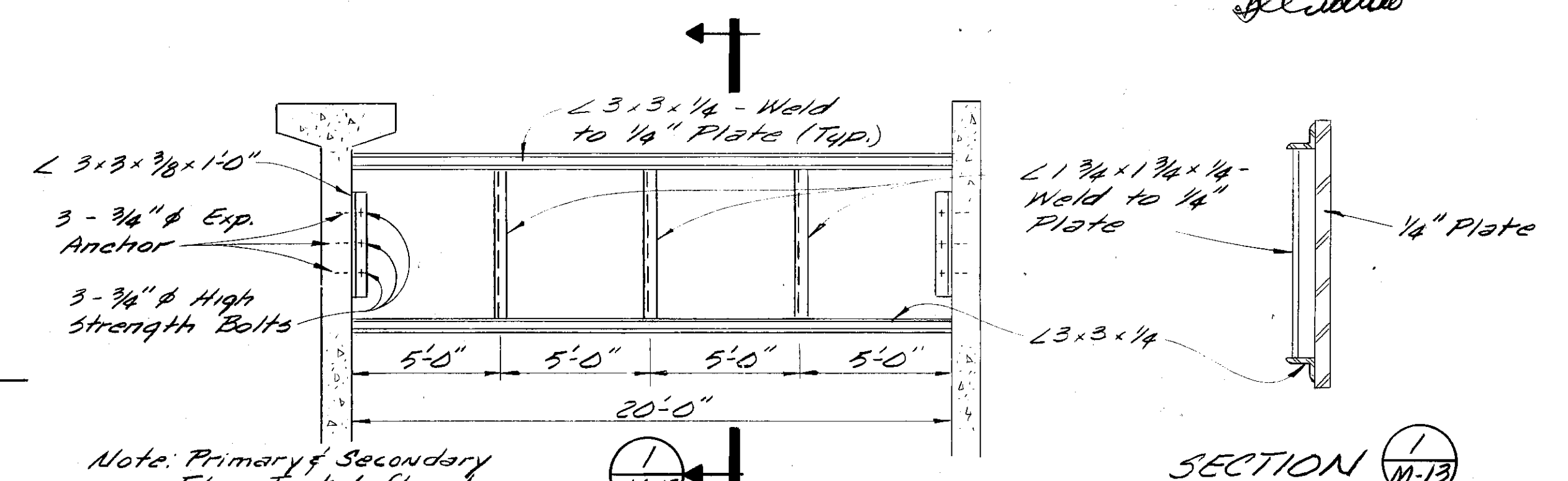
FLOCCULATOR BEARING SUPPORT DETAIL
No Scale



TELESCOPING VALVE DETAIL
No Scale



SECONDARY SETTLING TANK SCUM PIPE DETAIL
N.T.S.



SECTION 1/M-13

Note: Primary & Secondary Flocc. Tank Influent Baffles Similar to Baffle Shown.

SECONDARY SETTLING TANK EFFLUENT BAFFLE DETAIL
No Scale



In charge of <u>WSP</u>	NO.	DATE	REVISION	INIT.
Designed by <u>GRM</u> Checked by <u>WSP</u>	26/78		General Revisions	
Made by <u>MPD</u>	5/11/79		General Revisions	
	4/13/78		ADDED EFFLUENT BAFFLE DETAIL	

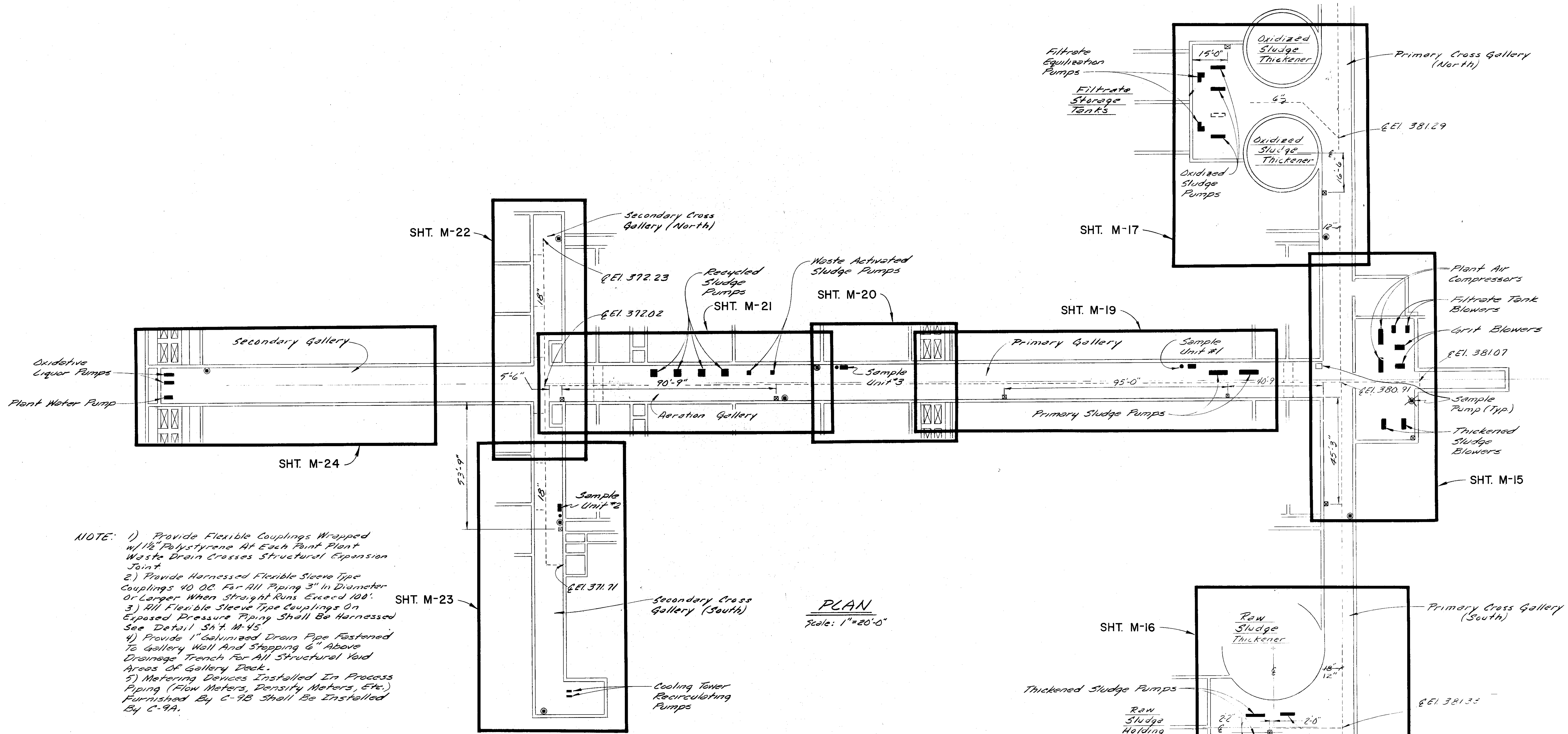
O'BRIEN & GERE ENGINEERS, INC.
Syracuse, New York

CLAY SANITARY DISTRICT
OAK ORCHARD SERVICE AREA
OAK ORCHARD WATER POLLUTION CONTROL PLANT

MECHANICAL
SECONDARY FLOW UNITS
SECTION AND DETAILS

FILE NO.
115.219-026F
DATE
JULY 1, 1975

M-13

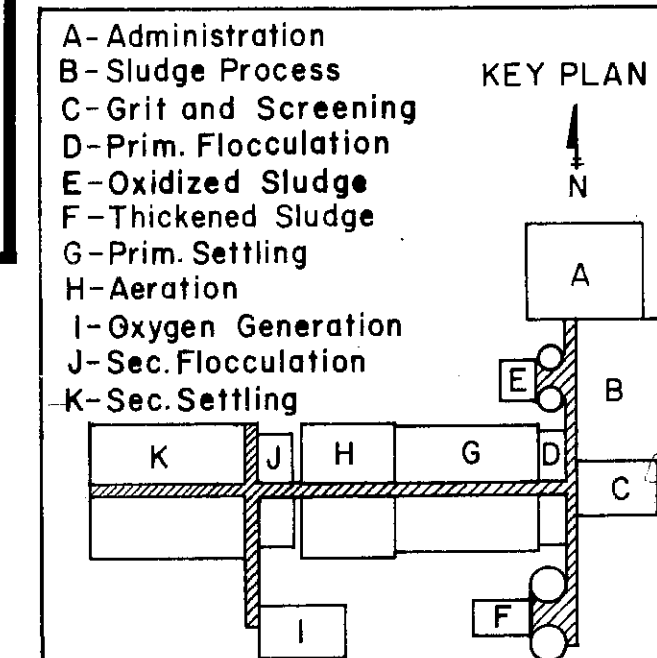


NOTE: 1) Provide Flexible Couplings Wrapped w/1/2" Polystyrene At Each Point Plant Waste Drain Crosses Structural Expansion Joint
 2) Provide Harnessed Flexible Sleeve Type Couplings 40 O.C. For All Piping 3" In Diameter Or Larger When Straight Runs Exceed 100'.
 3) All Flexible Sleeve Type Couplings On Exposed Pressure Piping Shall Be Harnessed See Detail Sht. M-45
 4) Provide 1" Galvanized Drain Pipe Fastened To Gallery Wall And Stepping 6" Above Drainage Trench For All Structural Void Areas Of Gallery Deck.
 5) Metering Devices Installed In Process Piping (Flow Meters, Density Meters, Etc.) Furnished By C-9B Shall Be Installed By C-9A.

LEGEND

- Equipment Pad
- Future Pump Pad
- ⊠ Sump Pit (For Detail See Sht. M-45)
- Plant Waste Drain
- Sample Pump

PLAN
 Scale: 1"=20'-0"



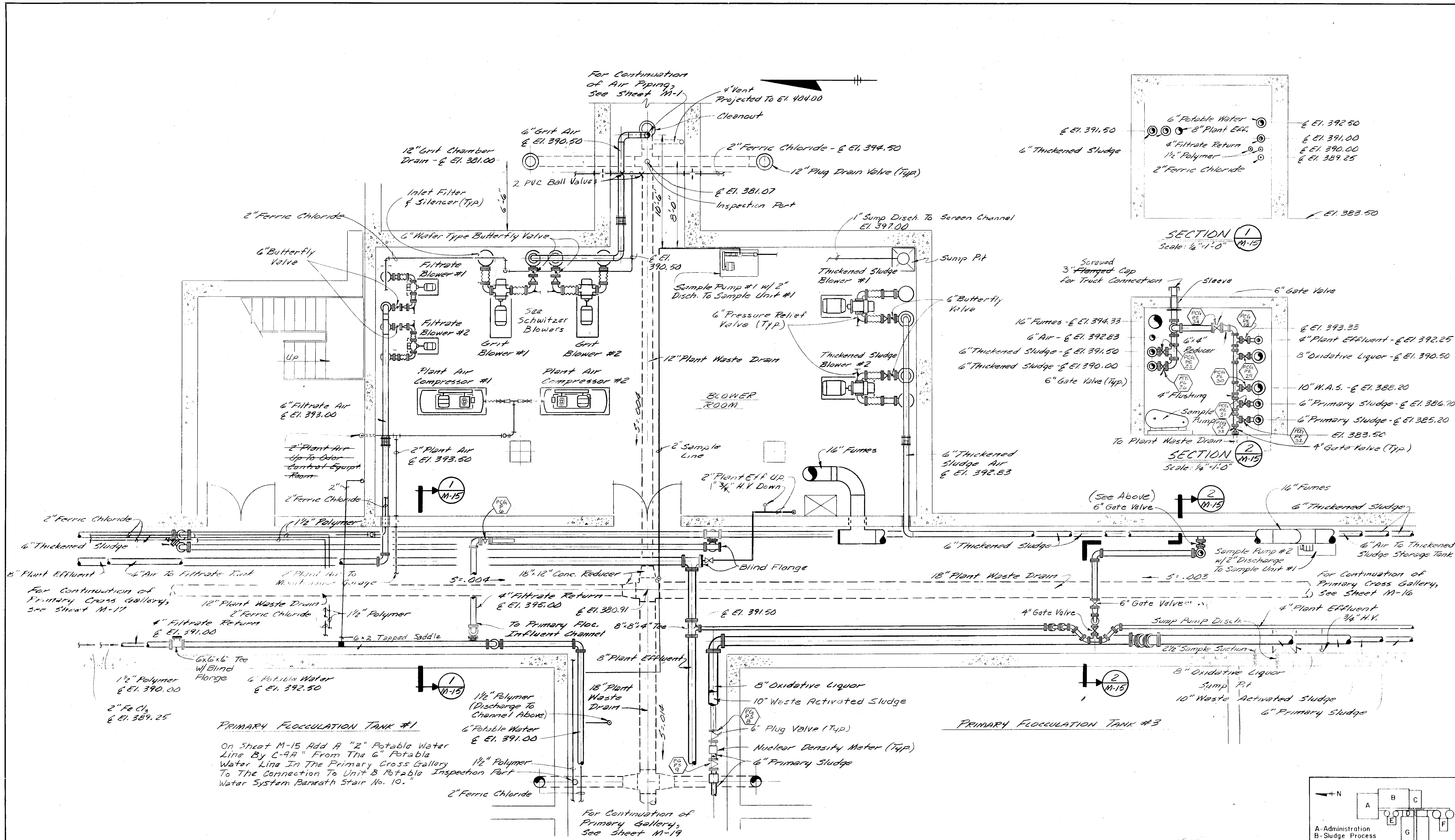
In charge of <u>WSP</u>	NO.	DATE	REVISION	INIT.
Designed by <u>ERM</u> Checked by <u>WSP</u>				
Made by <u>WSP</u>	1/11/78	5/4/77	General Revisions	JM
			General Revision	JK

O'BRIEN & GERE
 ENGINEERS, INC.
 Syracuse, New York

CLAY SANITARY DISTRICT
 OAK ORCHARD SERVICE AREA
 OAK ORCHARD WATER POLLUTION CONTROL PLANT

MECHANICAL
 GALLERY LAYOUT
 PLAN

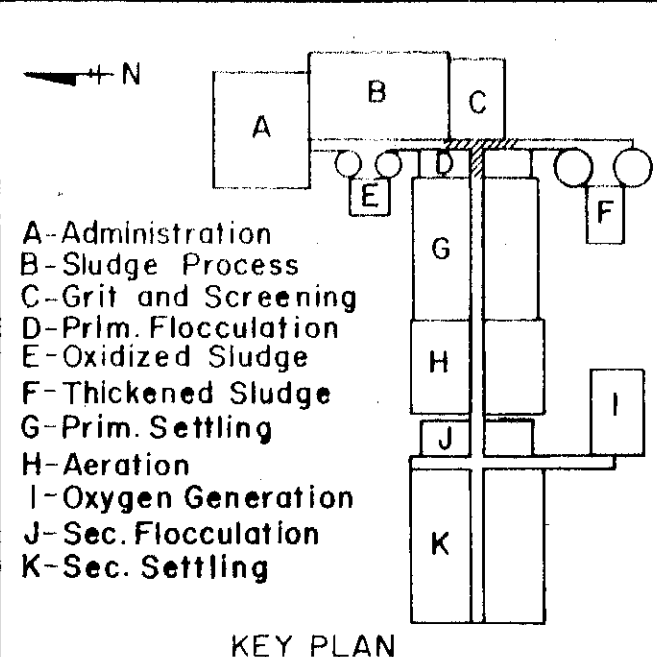
FILE NO.
 115.219-027F
 DATE
 JULY 1, 1975
M-14



PLAN
Scale: 1/4" = 1'-0"

SECTION 1
Scale: 1/4" = 1'-0"

SECTION 2
Scale: 1/4" = 1'-0"

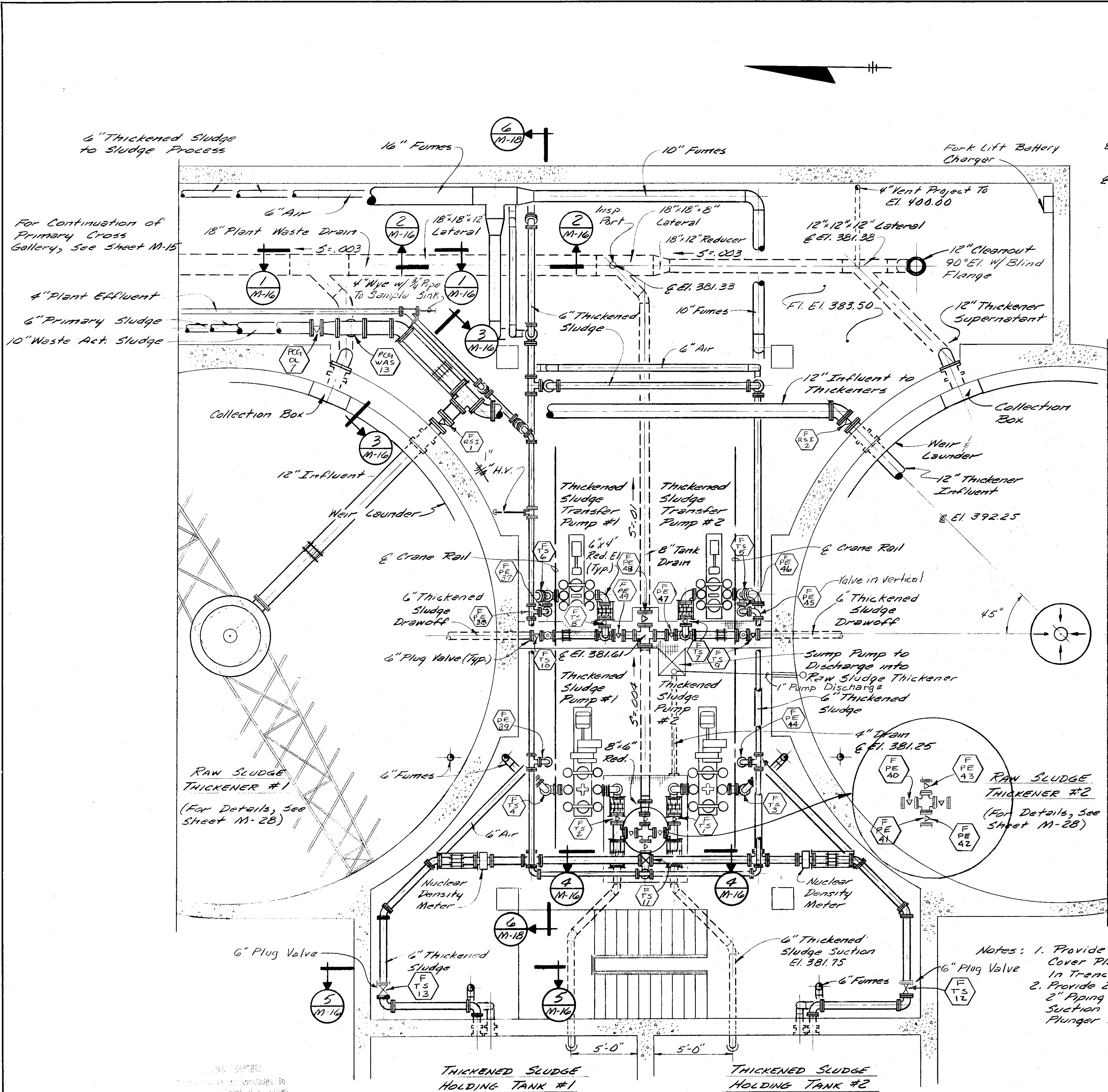


PRIMARY FLOCCULATION TANK #1

On Sheet M-15 Add A "2" Potable Water Line By C-9A" From The 6" Potable Water Line In The Primary Cross Gallery To The Connection To Unit B Potable Inspection Part Water System Beneath Stair No. 10.

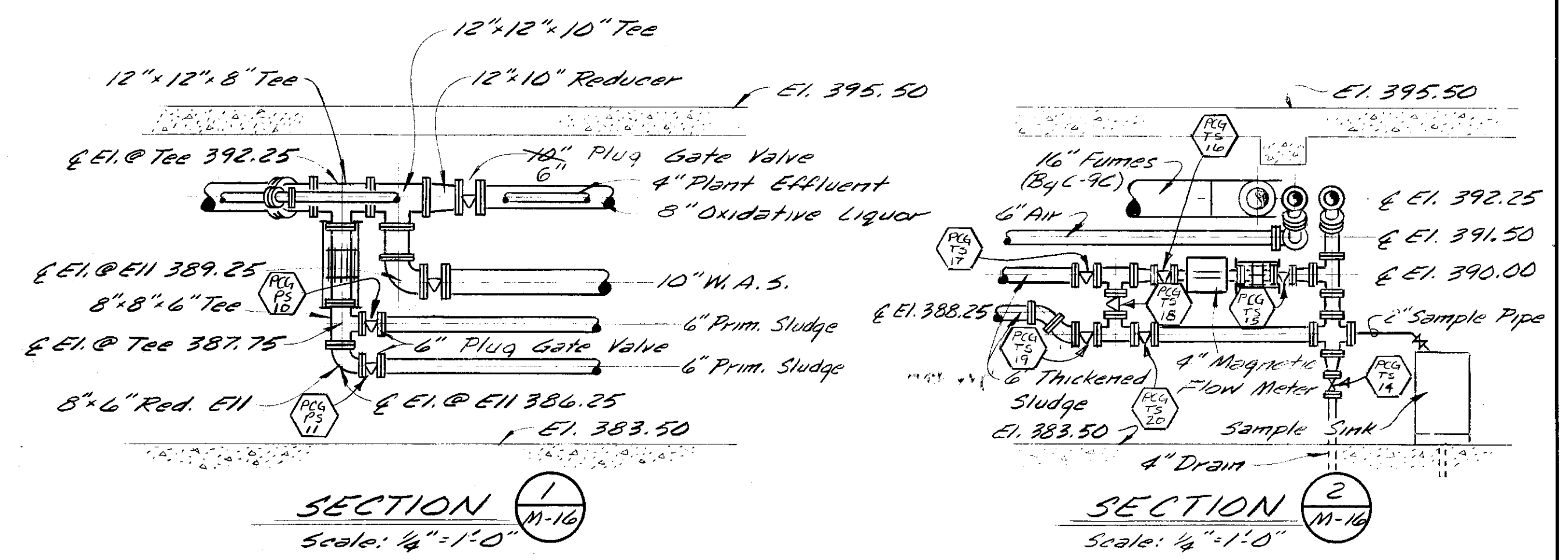
For Additional Information See Sheets Z-6, Z-7, Z-8, Z-60, RD-6, RD-8, RD-11, RD-38, Z-13

In charge of <u>WSP</u> Designed by <u>GBM</u> Checked by <u>WSP</u> Made by <u>GBC</u>		NO.	DATE	REVISION	INIT.	 O'BRIEN & GERE ENGINEERS, INC. Syracuse, New York	CLAY SANITARY DISTRICT OAK ORCHARD SERVICE AREA OAK ORCHARD WATER POLLUTION CONTROL PLANT	MECHANICAL COMPRESSOR ROOM PLAN & SECTIONS	FILE NO. 115.219-028F	M-15
		2/11/78 General Revisions 5/14/77 General Revisions 8-76 CHANGED DRAWING		DATE JULY 1, 1975						



PLAN
Scale: 1/4" = 1'-0"

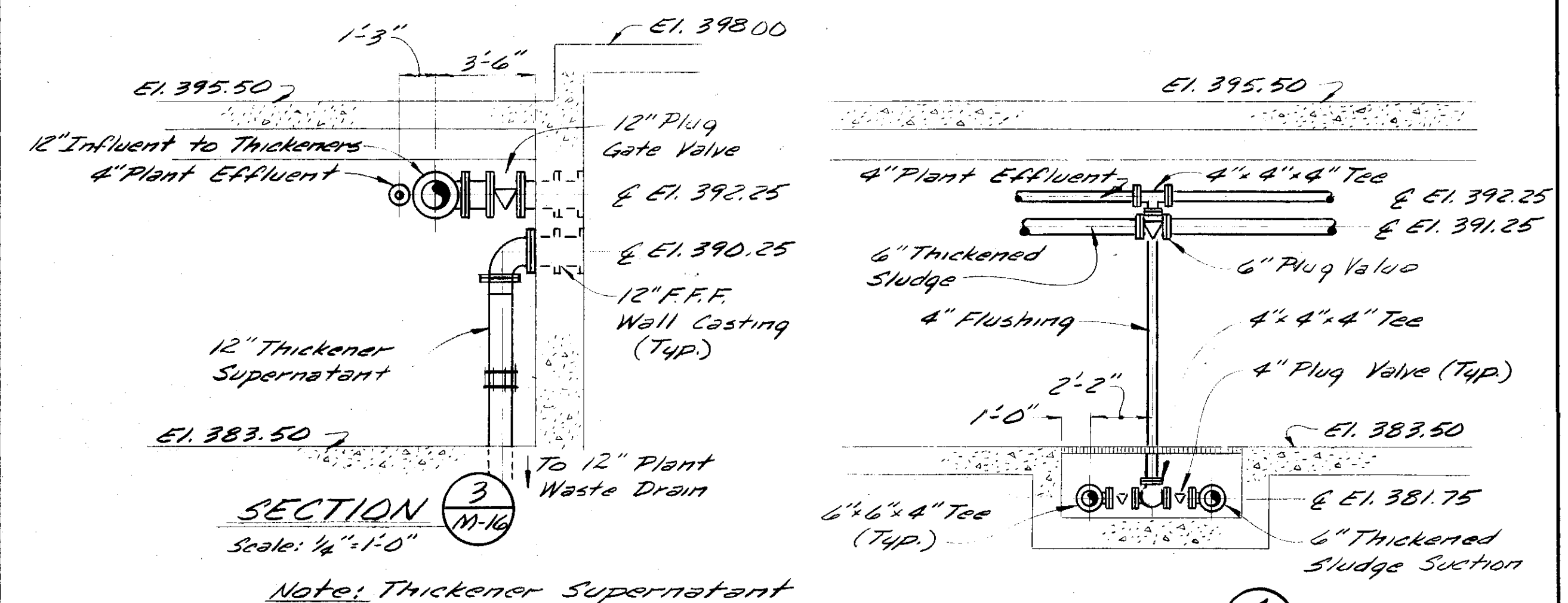
- Notes: 1. Provide 3" ϕ Openings in Trench Cover Plates for All Valve Operators in Trenches.
2. Provide 2" Pressure Relief Valve & 2" Piping Between Plunger Pump Suction & Discharge on All Plunger Type Pumps.



SECTION 1
Scale: 1/4" = 1'-0"

SECTION 2
Scale: 1/4" = 1'-0"

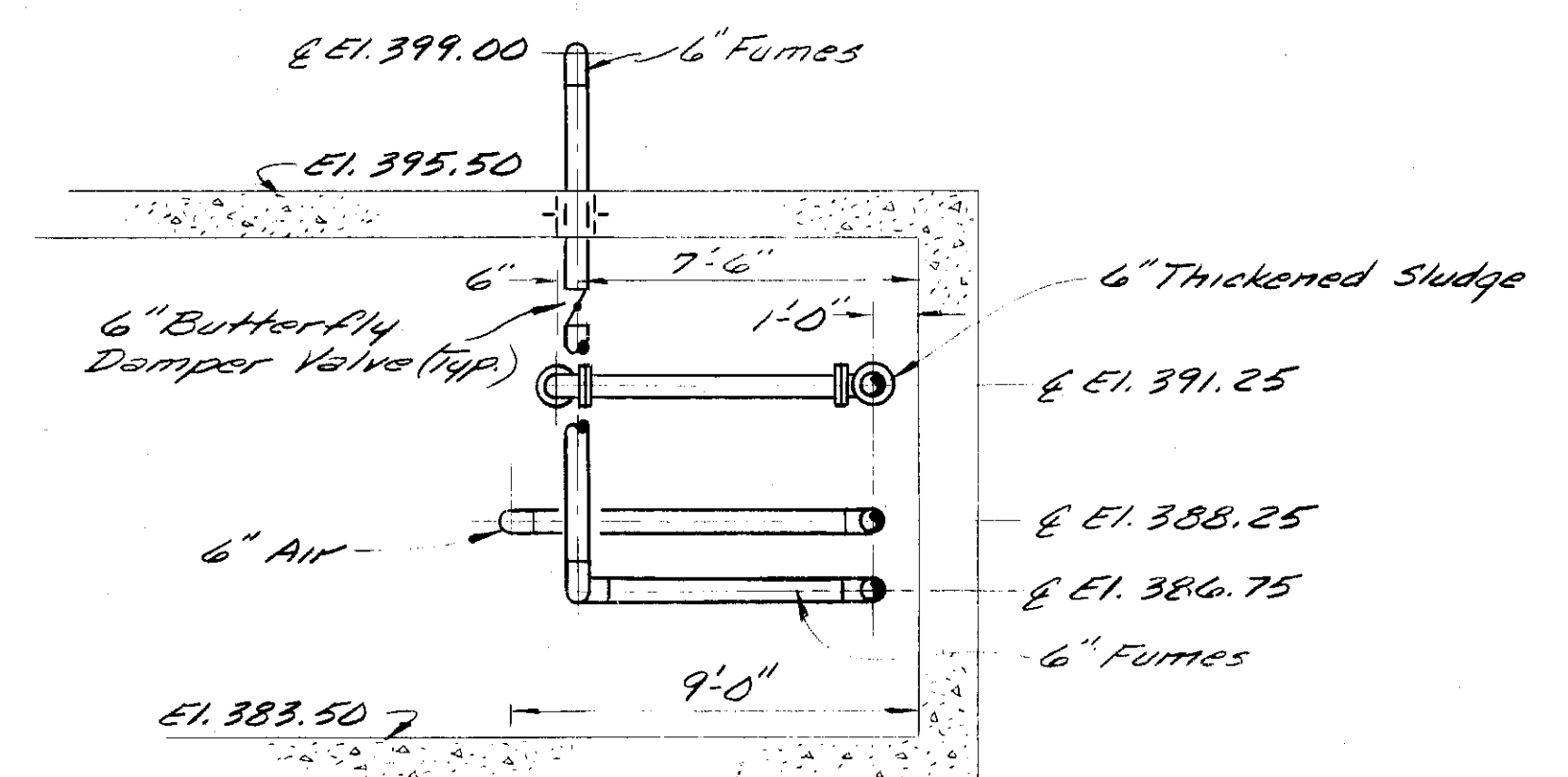
On Sheet M-16, In Section 1/M-16, Delete the Reference 12" x 10" Reducer" On The 8" Oxidation Liquor Line And substitute therefor " 8" Plug Valve" And " 12" x 8" Reducer."



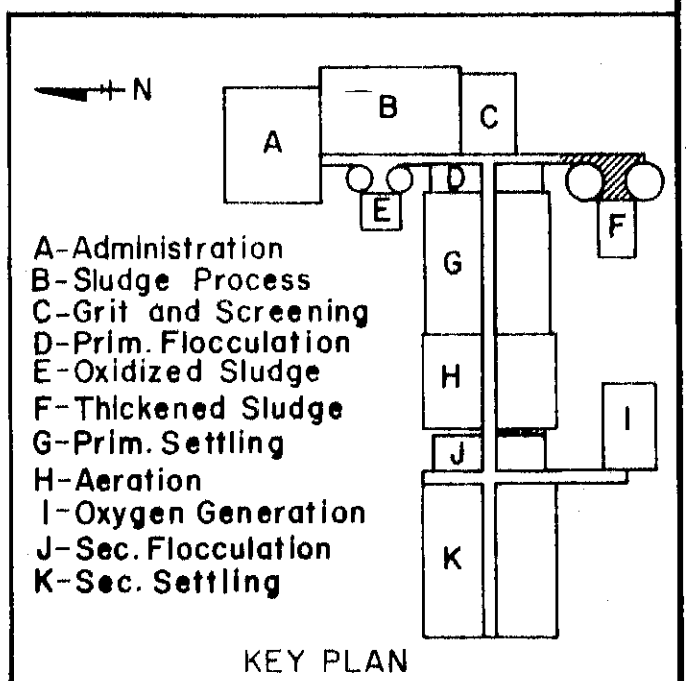
SECTION 3
Scale: 1/4" = 1'-0"

SECTION 4
Scale: 1/4" = 1'-0"

Note: Thickener Supernatant Shown Out of Section For Clarity.



SECTION 5
Scale: 1/4" = 1'-0"



KEY PLAN

In charge of	NO.	DATE	REVISION	INIT.
Designed by	11/1/78		General Revisions	
Checked by	3/1/79		General Revisions	
Made by	6/1/80		CHANGED DRAIN & SUPERNATANT	

O'BRIEN & GERE
ENGINEERS, INC.
Syracuse, New York

CLAY SANITARY DISTRICT
OAK ORCHARD SERVICE AREA
OAK ORCHARD WATER POLLUTION CONTROL PLANT

MECHANICAL
THICKENED SLUDGE PUMPING STATION
PLAN & SECTIONS

FILE NO.
115.219-029F
DATE
JULY 1, 1975
M-16

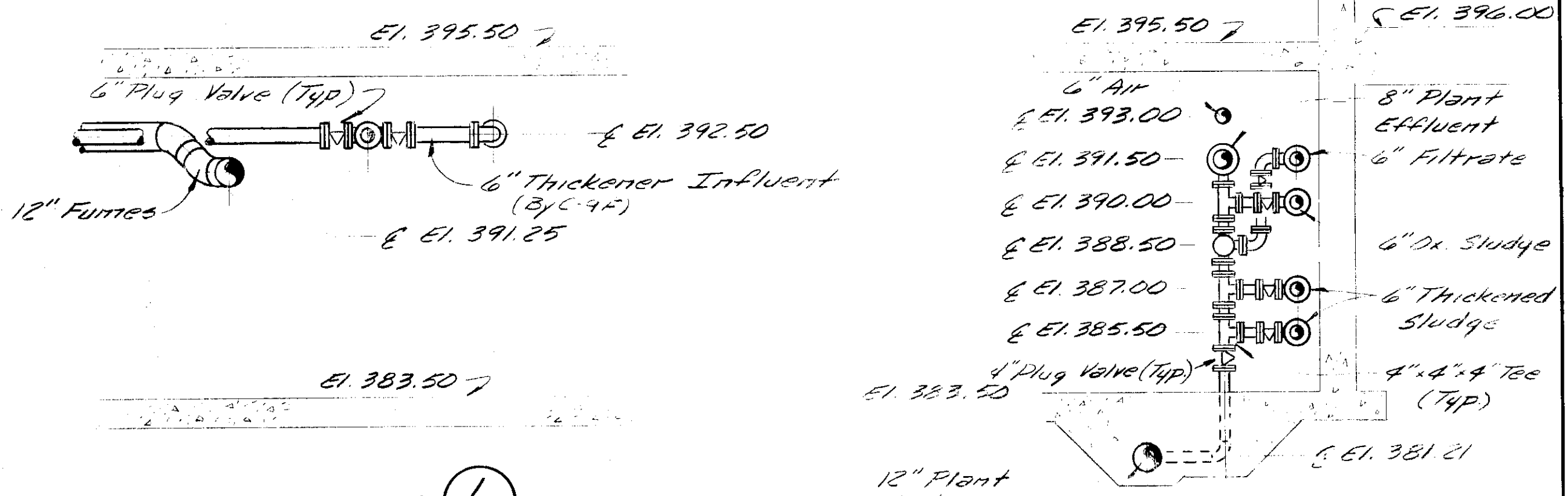
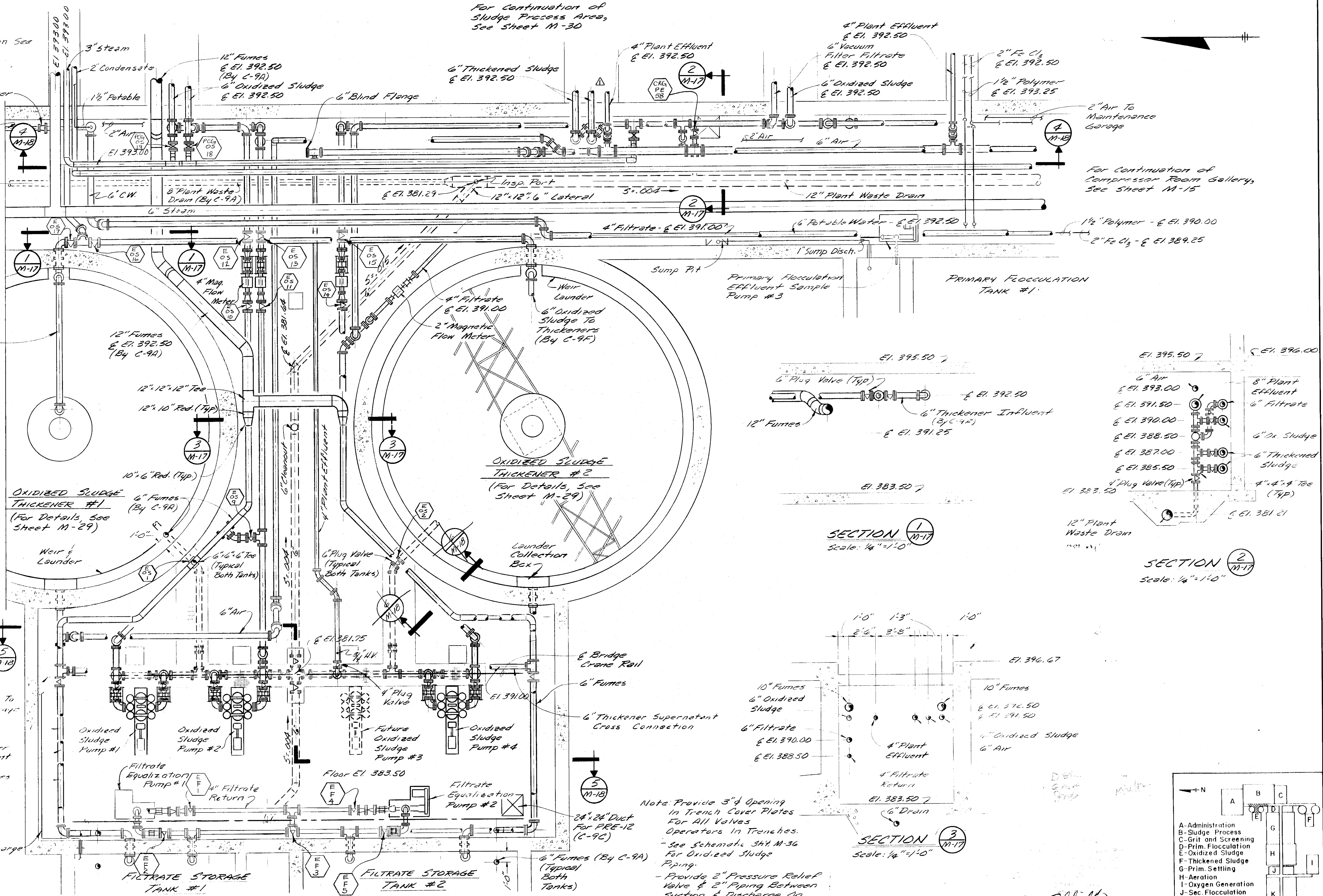
For Continuation of Sludge Process Area, See Sheet M-30

For Continuation See Sheet M-46

4" Potable Water (By C-9D) (By C-9A)

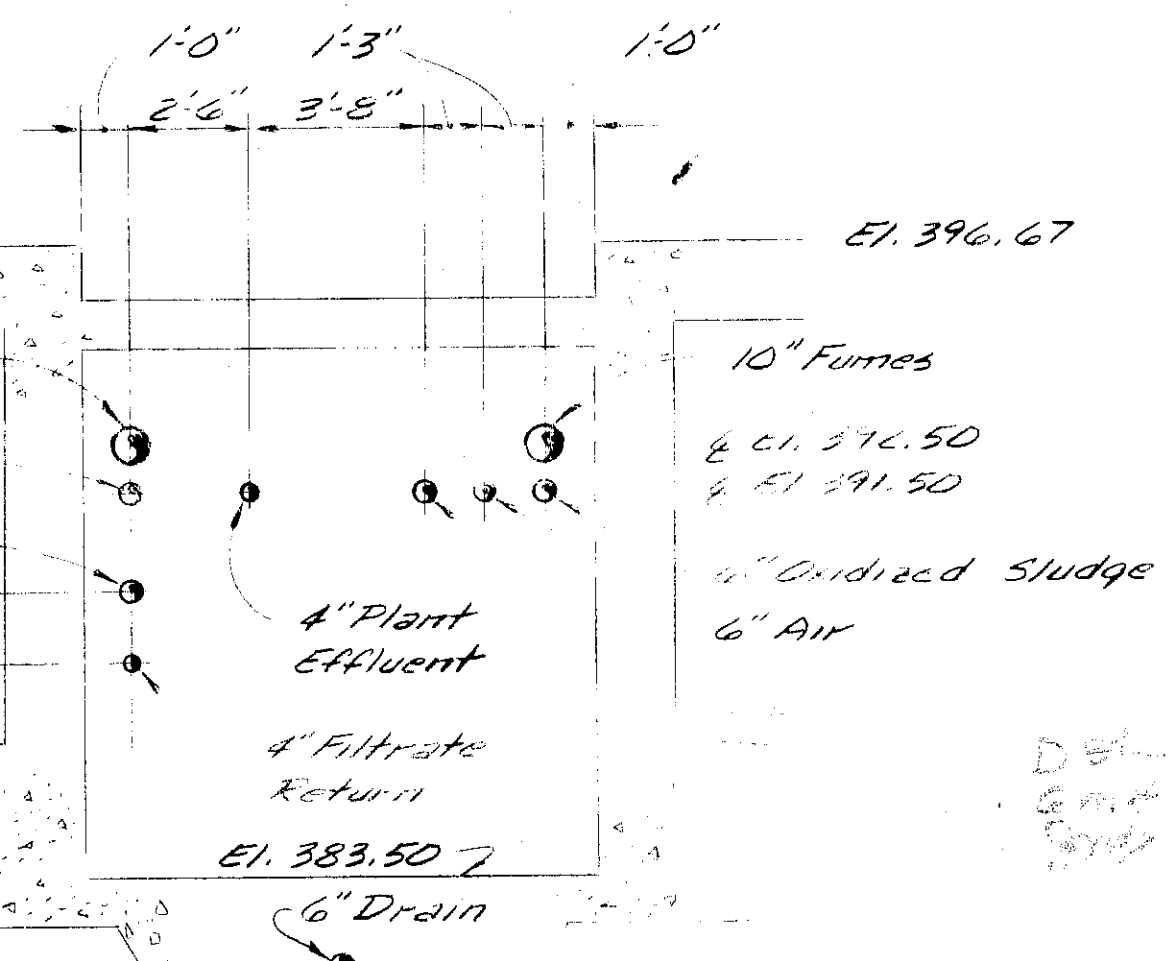
See Drawing M-46 For 8" Waste Drain Continuation

6" Oxidized Sludge To Thickeners (By C-9F)



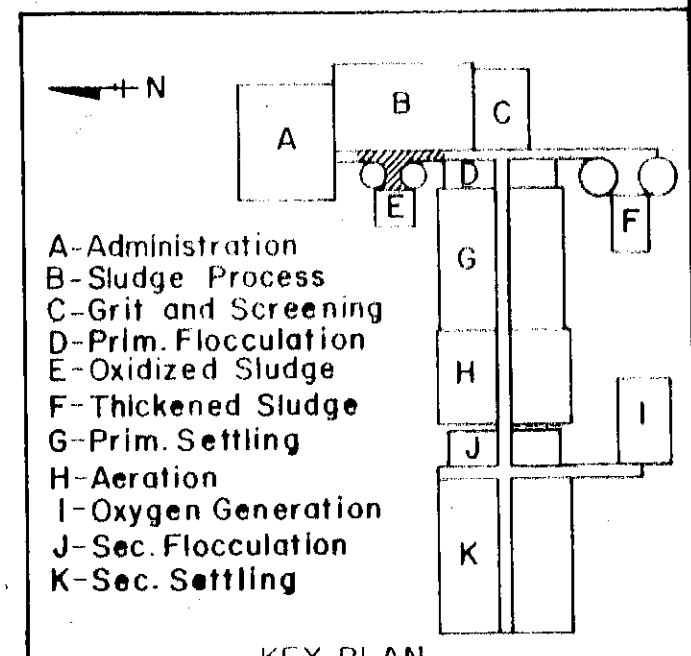
SECTION 1 Scale: 1/4"=1'-0"

SECTION 2 Scale: 1/4"=1'-0"



SECTION 3 Scale: 1/4"=1'-0"

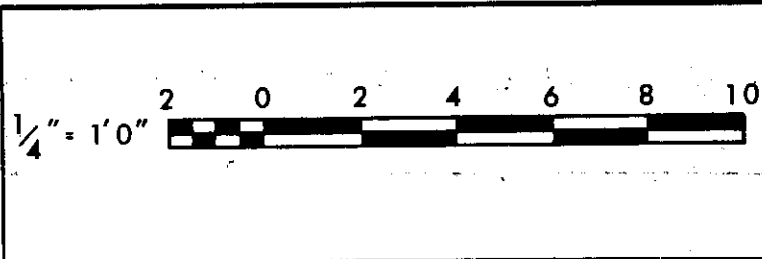
Note: Provide 3" opening in Trench Cover Plates for All Valves Operators in Trenches.
- See Schematic SH4 M-36 for Oxidized Sludge Piping.
- Provide 2" Pressure Relief Valve & 2" Piping Between Suction & Discharge on All Plunger Type Pumps



PLAN (For Details See SH4 M-29) Scale: 1/4"=1'-0"

For Additional Information See Sheets Z-62, RD-39

In charge of *[Signature]*
Designed by *[Signature]* Checked by *[Signature]*
Made by *[Signature]*



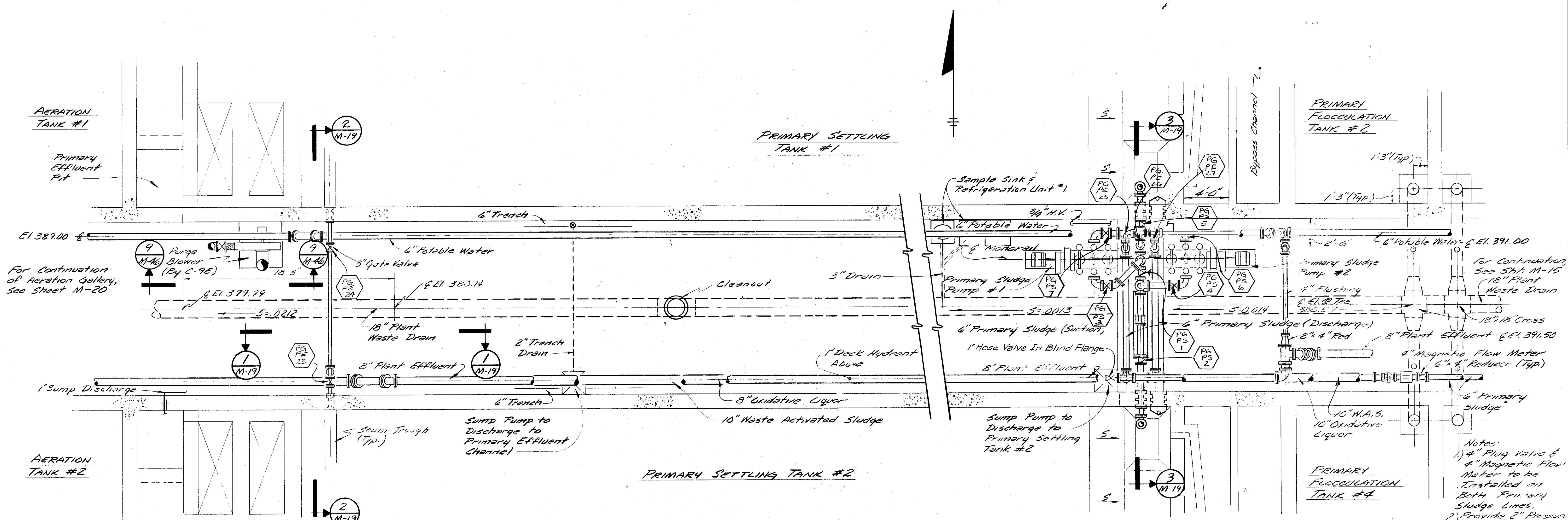
NO.	DATE	REVISION	INIT.
1	11/17/76	General Revisions	[Signature]
2	1/14/77	Removed 1 1/2" Potable	[Signature]
3	5/11/77	General Revisions	[Signature]
4	8/76	CHANGED DRAIN	[Signature]

O'BRIEN & GERE ENGINEERS, INC.
Syracuse, New York

CLAY SANITARY DISTRICT
OAK ORCHARD SERVICE AREA
OAK ORCHARD WATER POLLUTION CONTROL PLANT

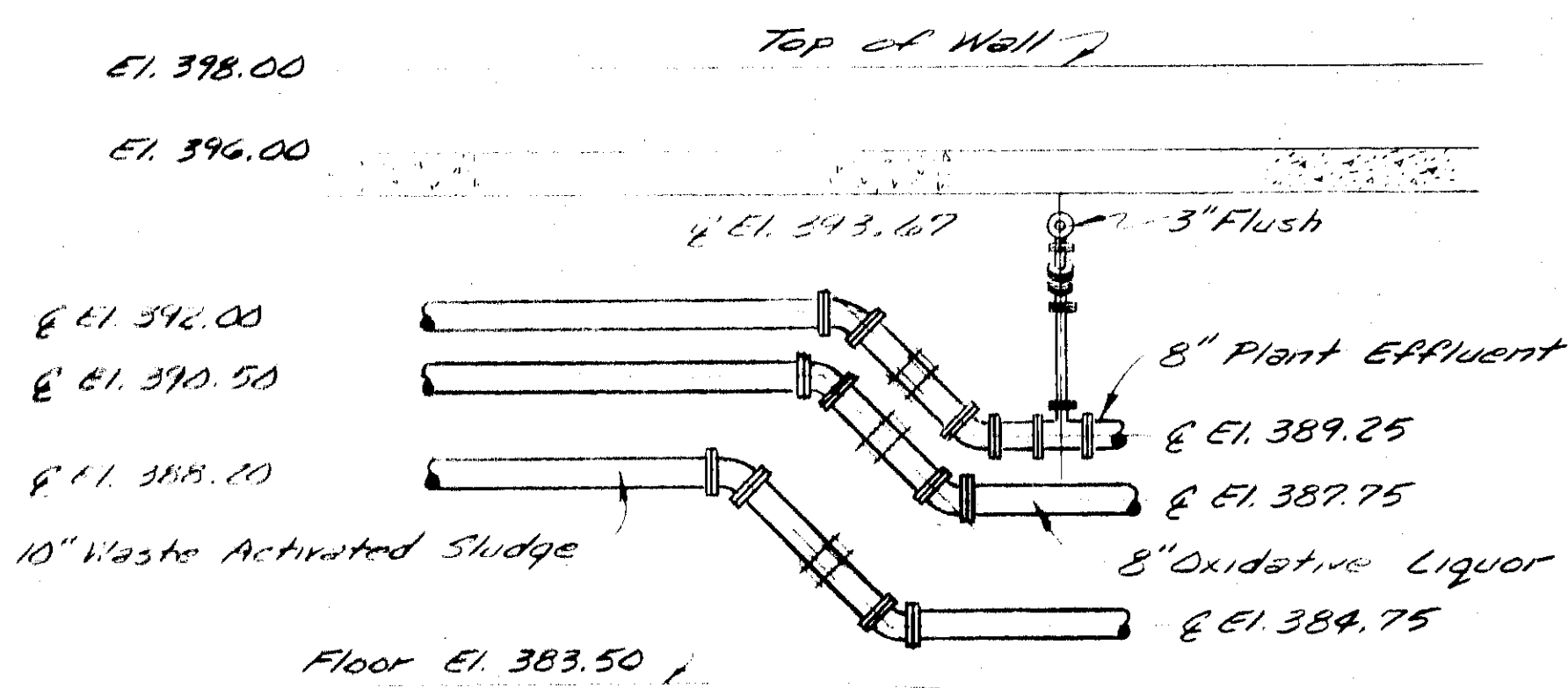
MECHANICAL
OXIDIZED SLUDGE PUMPING STATION
PLAN & SECTIONS

FILE NO. I15.219-030F
DATE JULY 1, 1975
M-17

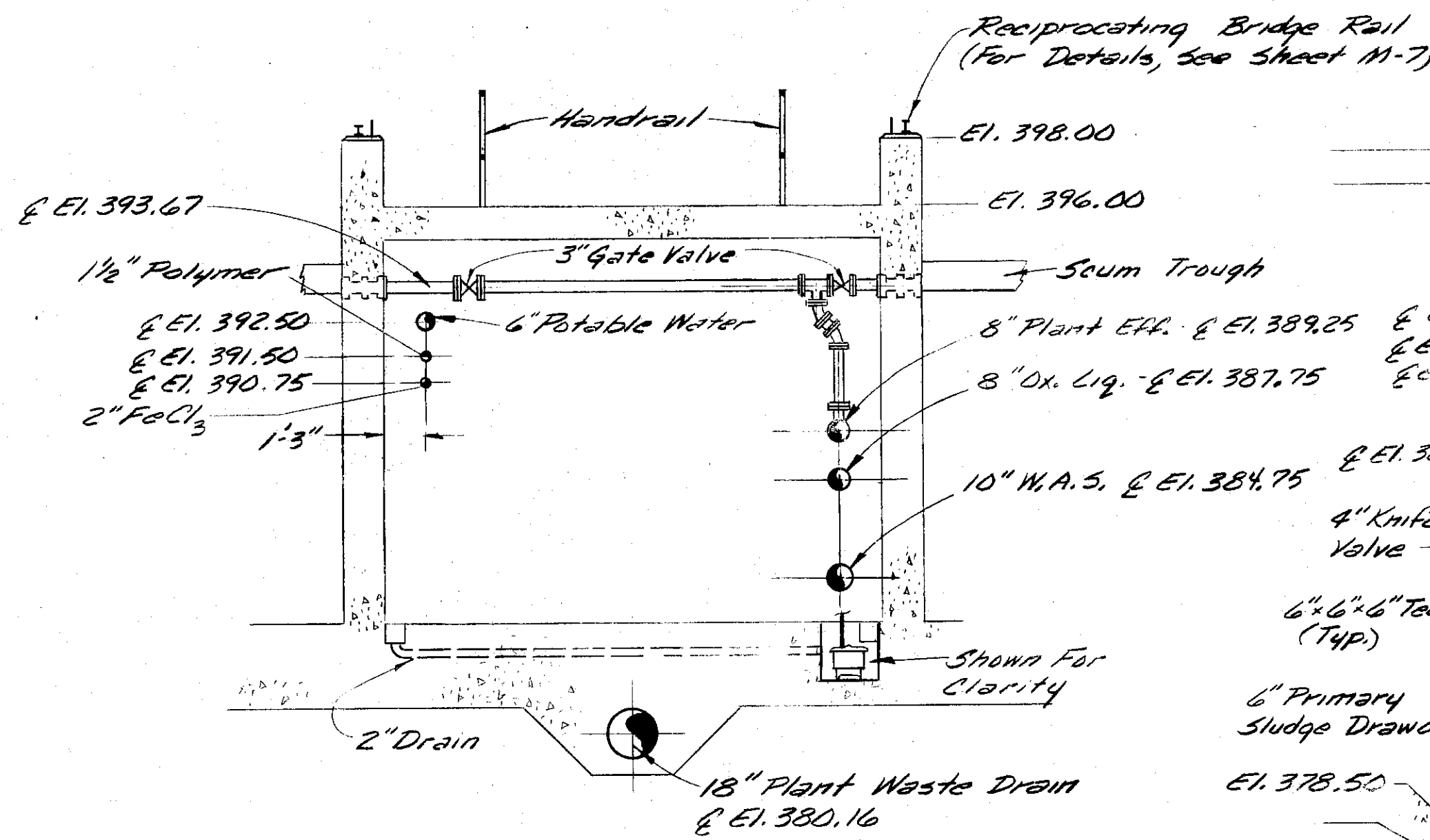


PARTIAL PLAN
Scale: 1/4"=1'-0"

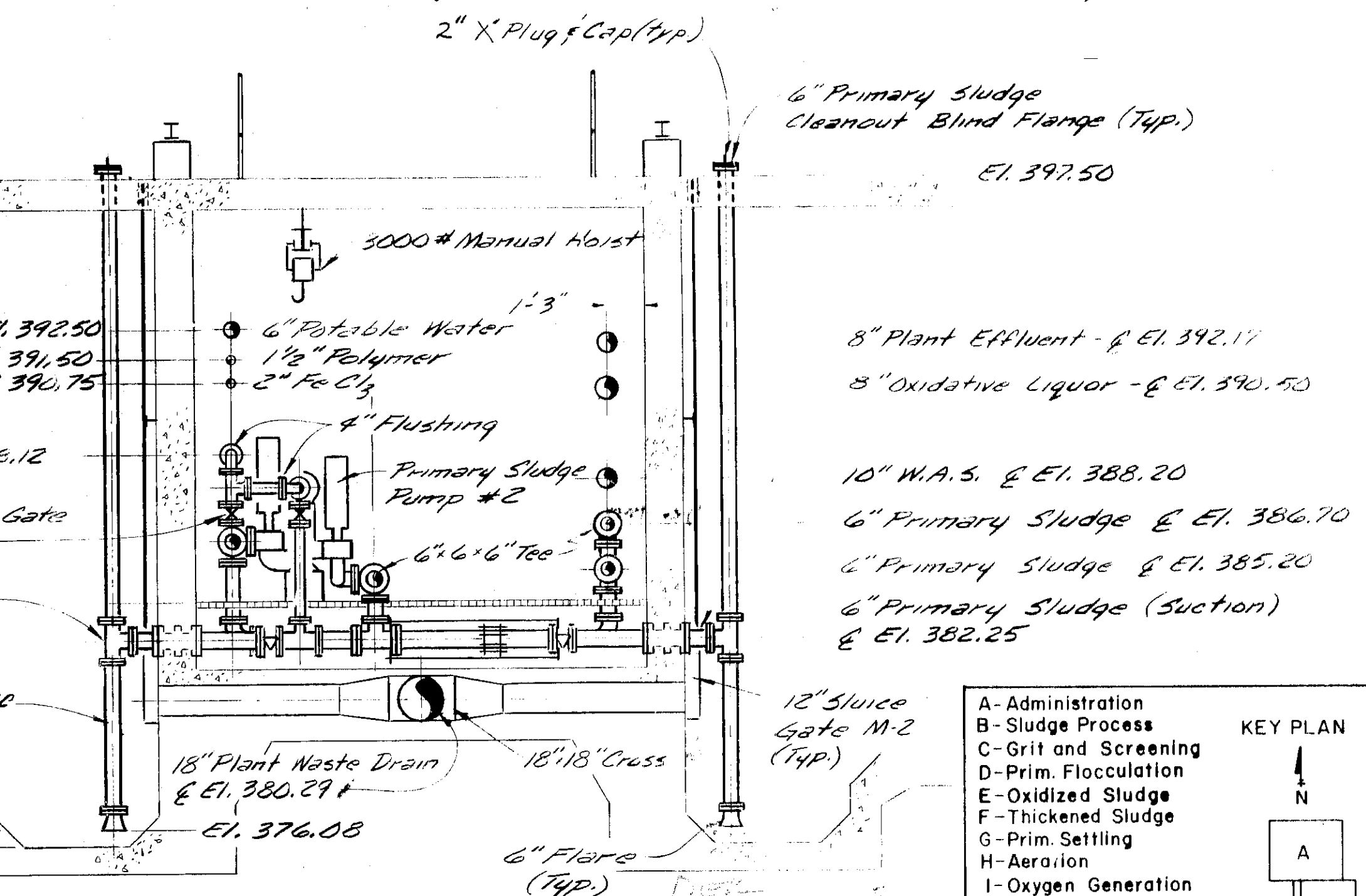
Notes:
1) 4" Plug Valve & 4" Magnetic Flow Meter to be Installed on Both Primary Sludge Lines.
2) Provide 2" Pressure Relief Valve & 2" Piping Between Suction & Discharge of All Plunger Type Pumps.



SECTION 1
Scale: 1/4"=1'-0"

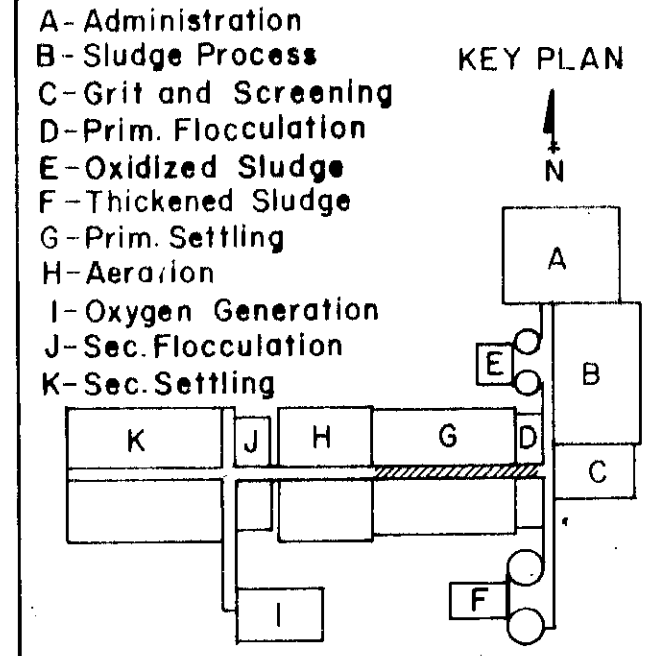


SECTION 2
Scale: 1/4"=1'-0"



SECTION 3
Scale: 1/4"=1'-0"

On Sheet M-19, Add A 6" x 6" Tee And A 6" Plug Valve On The 6" Primary Sludge Suction Pipe Shown On Section 3/M-19.



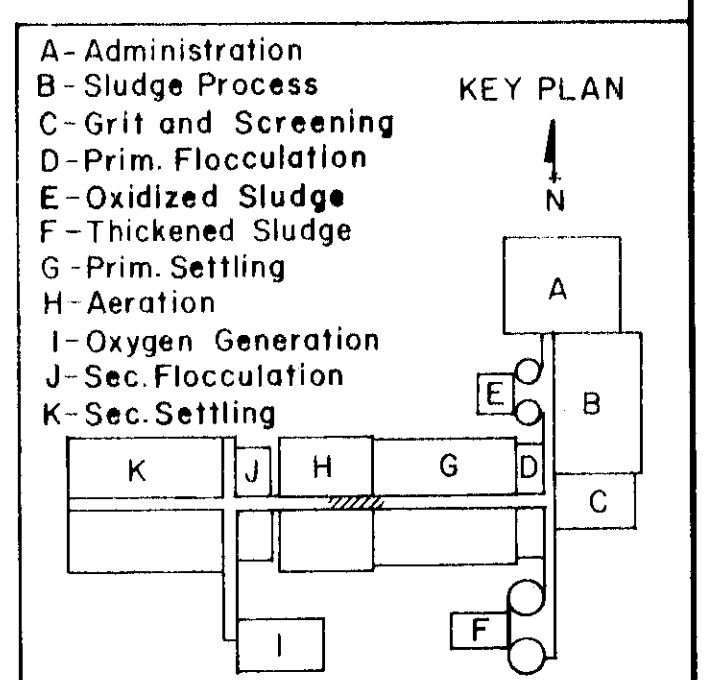
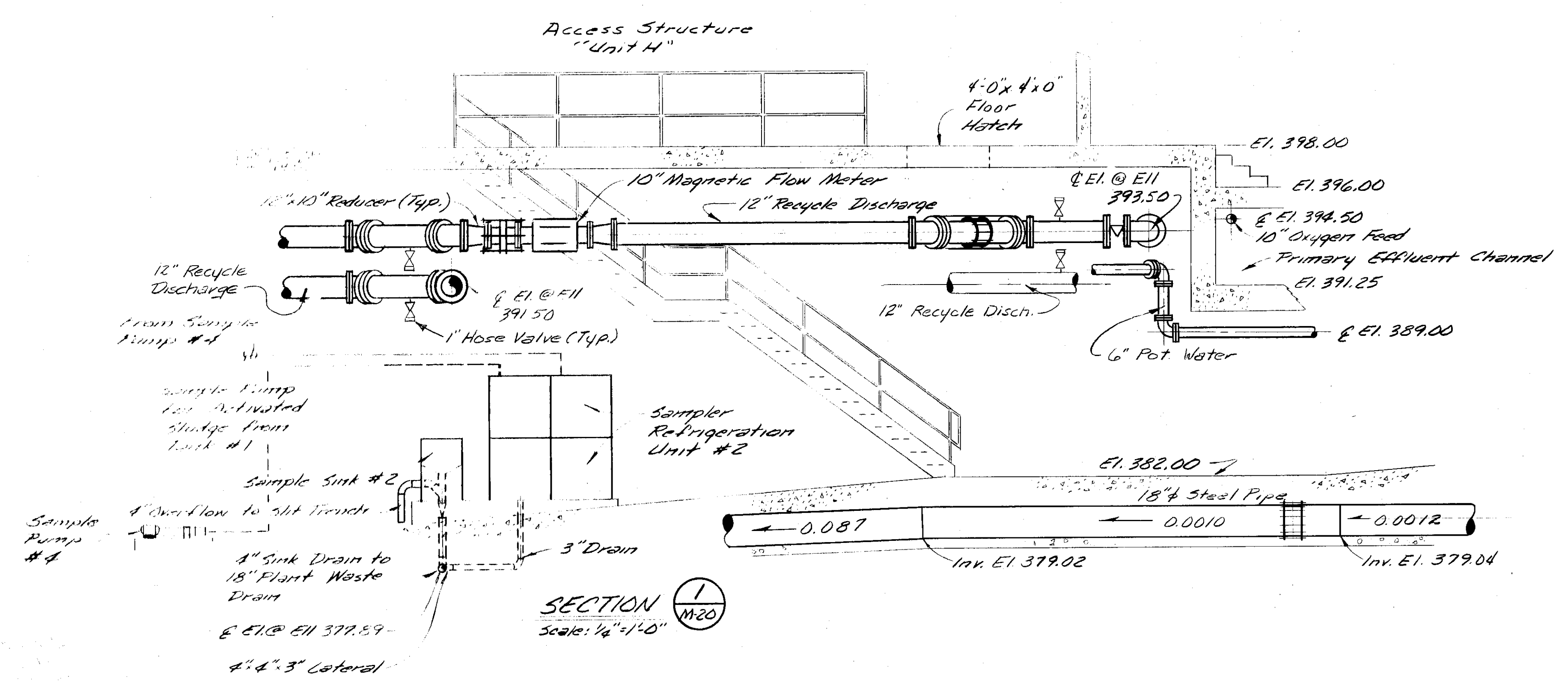
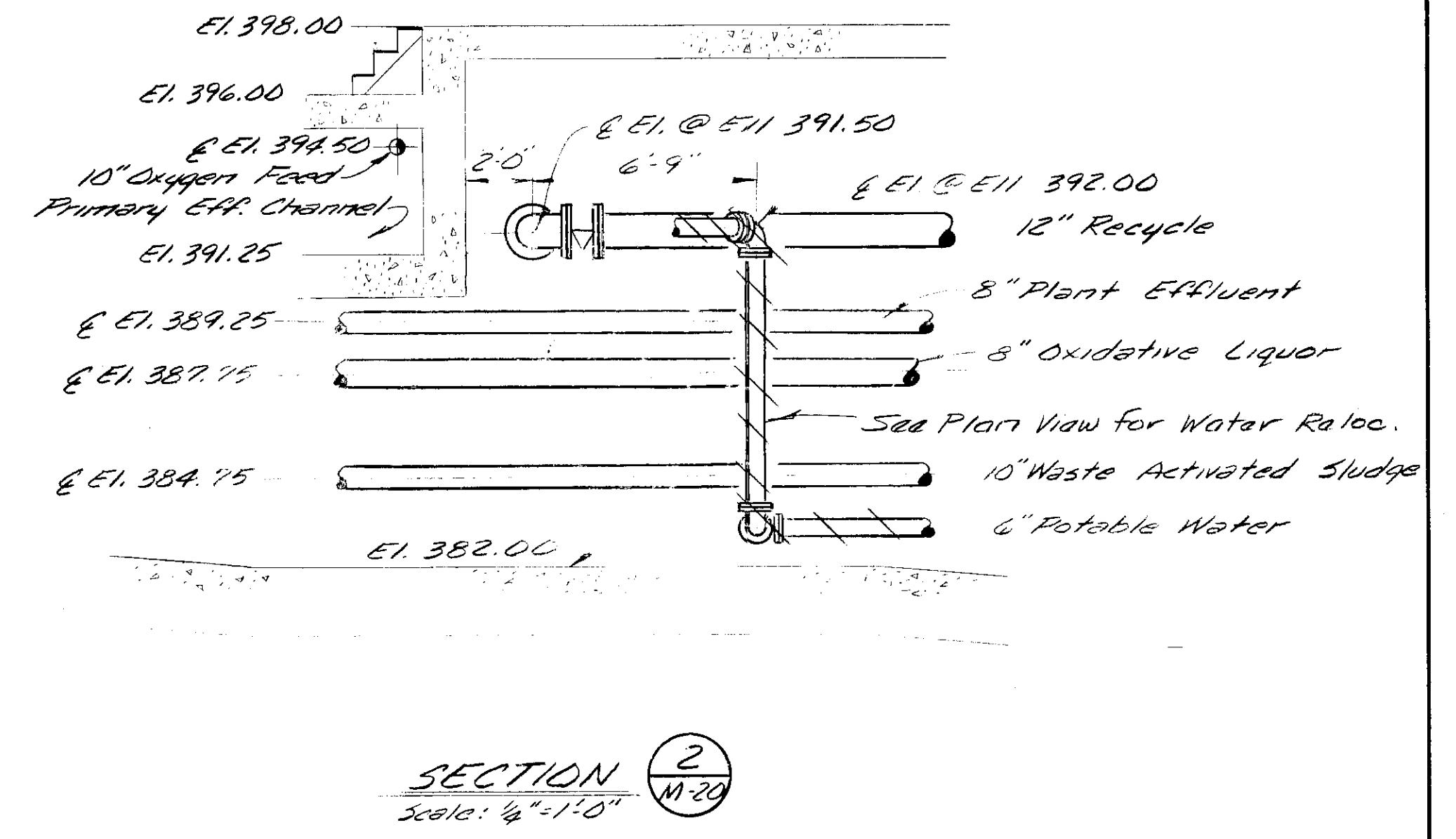
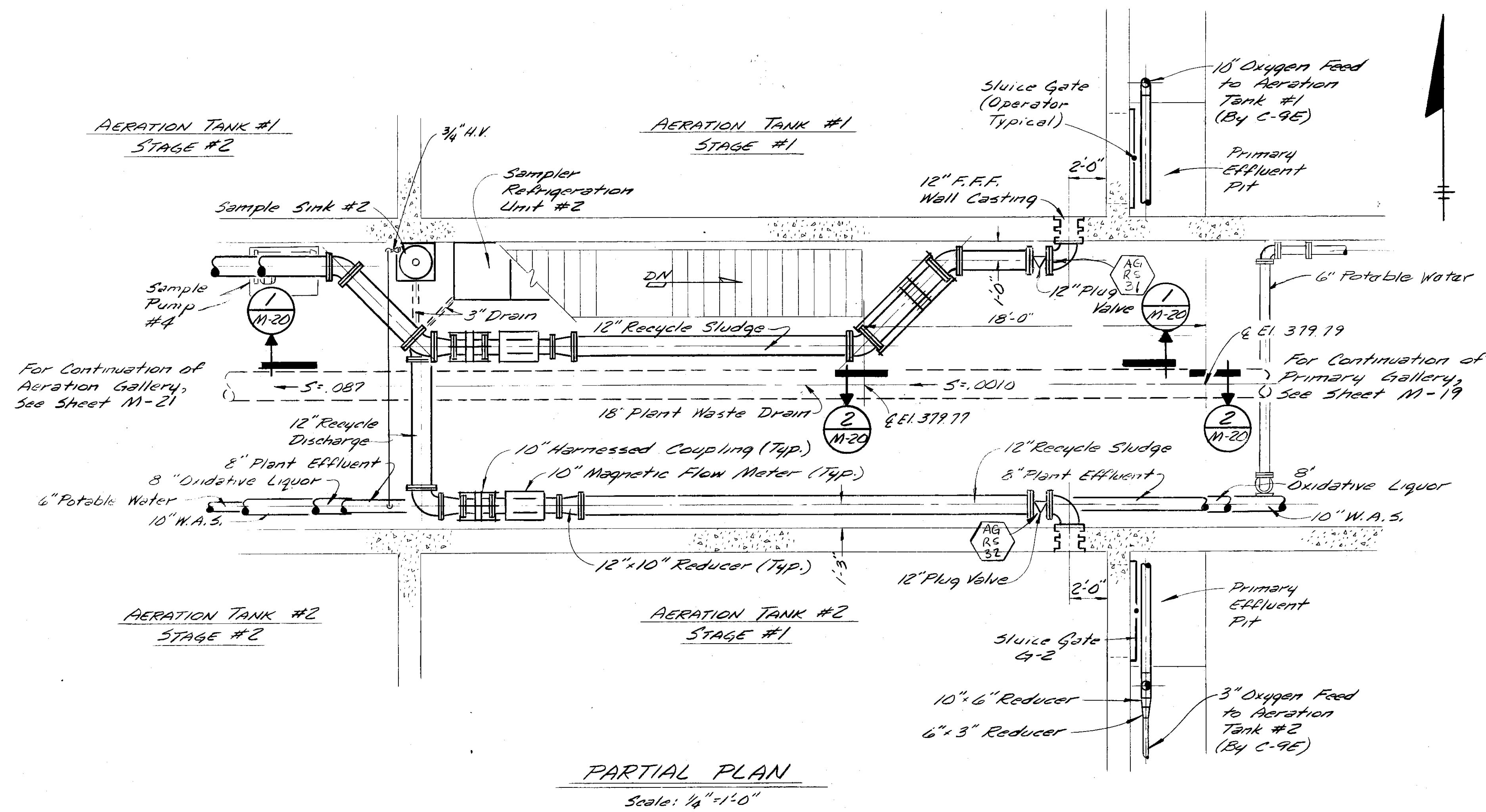
In charge of <u>WSP</u>	NO. DATE	REVISION	INIT.
Designed by <u>GEM</u> Checked by <u>WSP</u>	1/1/78	General Revisions	JJK
Made by <u>GBC</u>	5/1/78	General Revisions	JJK
	6-26	Removed Scum Equip. & Chimney Drains	JJK

O'BRIEN & GERE ENGINEERS, INC.
Syracuse, New York

CLAY SANITARY DISTRICT
OAK ORCHARD SERVICE AREA
OAK ORCHARD WATER POLLUTION CONTROL PLANT

MECHANICAL
PRIMARY GALLERY
PLAN & SECTIONS

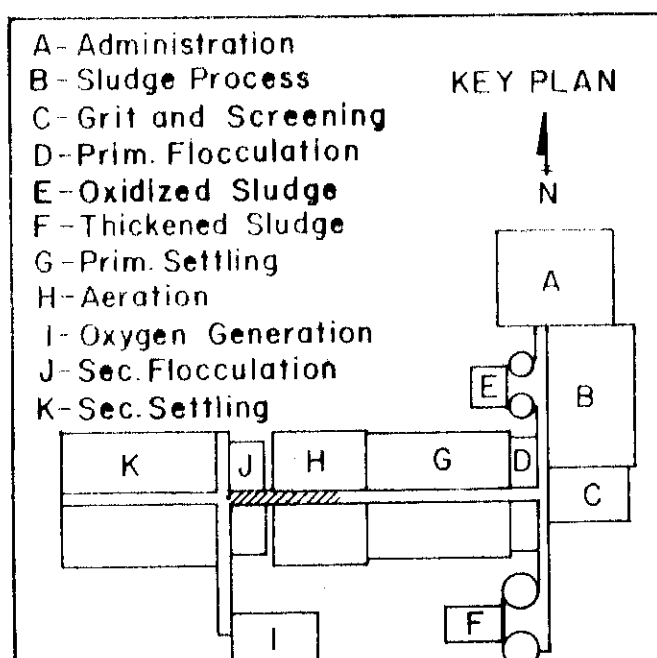
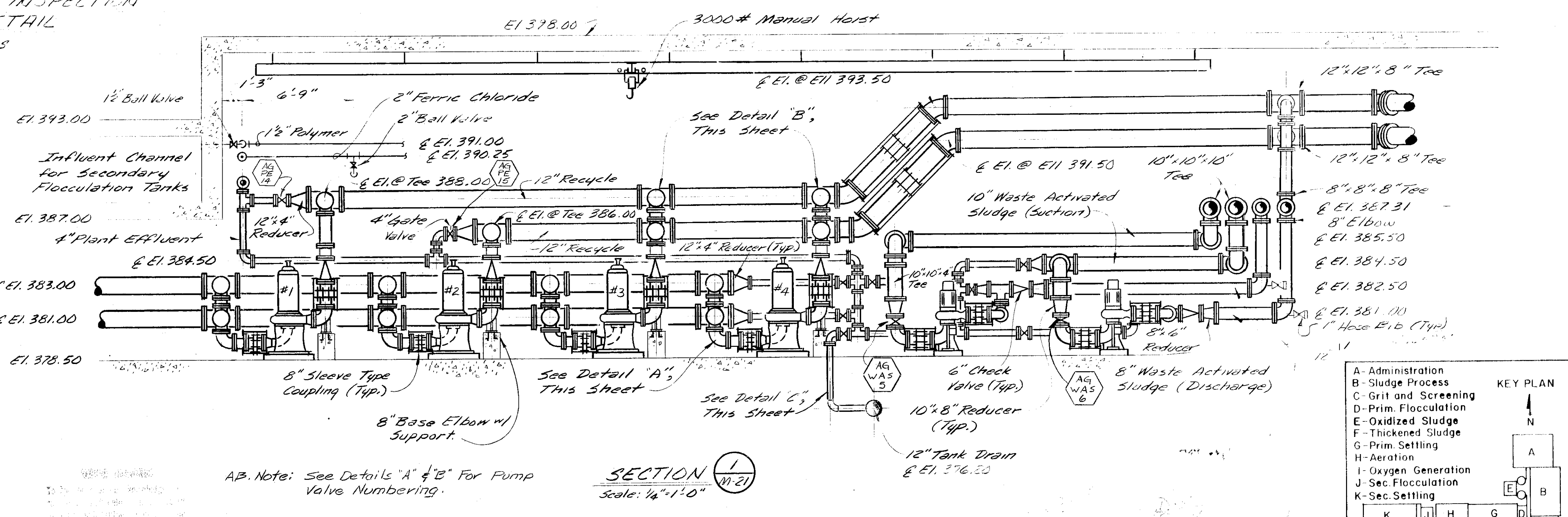
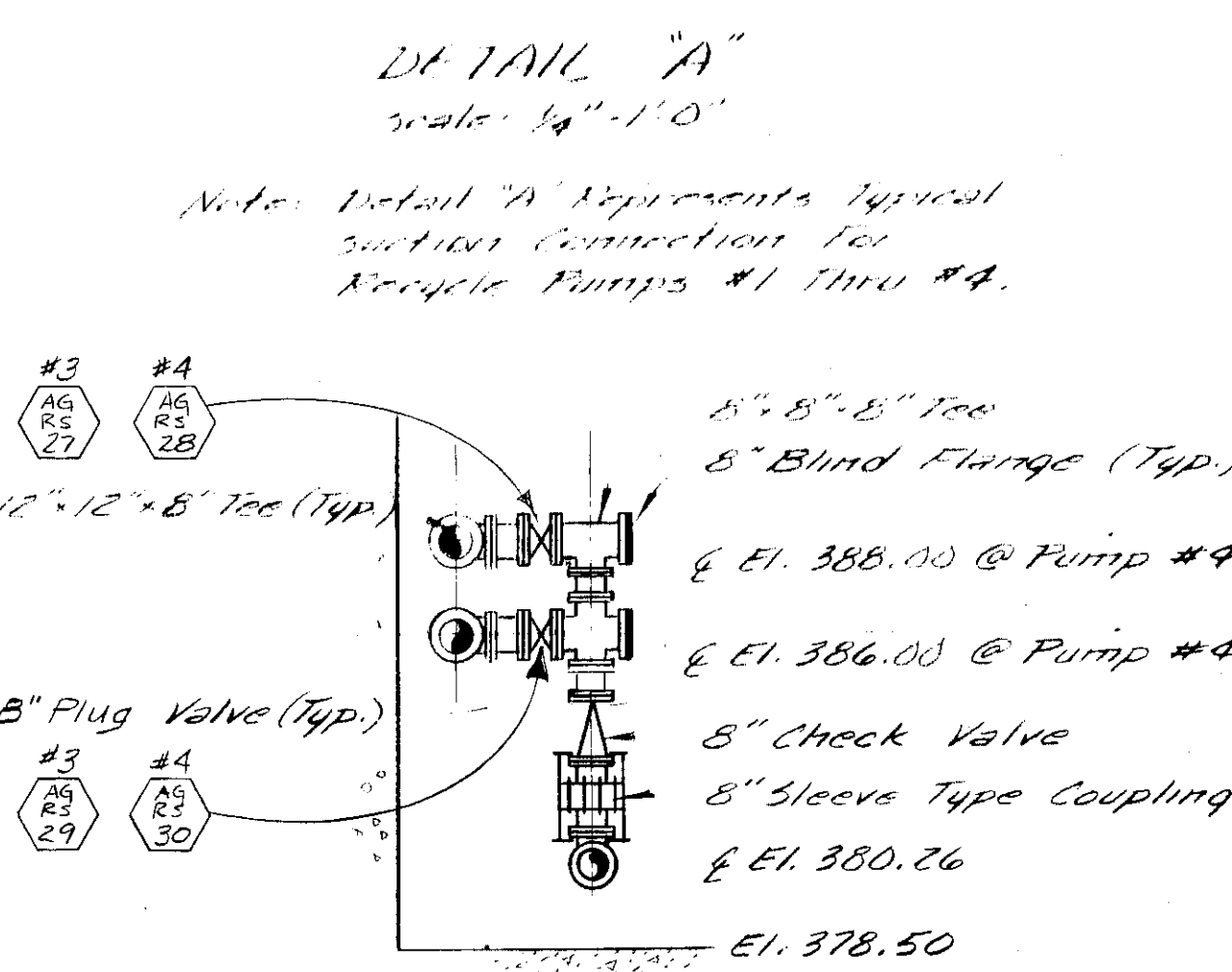
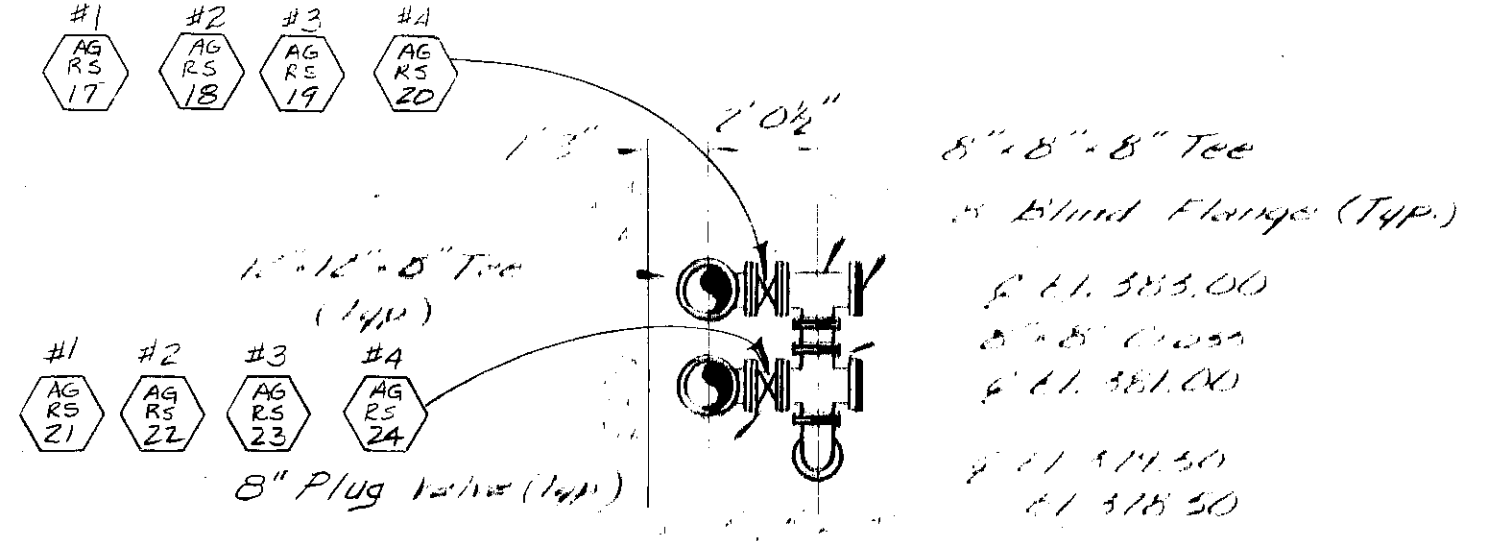
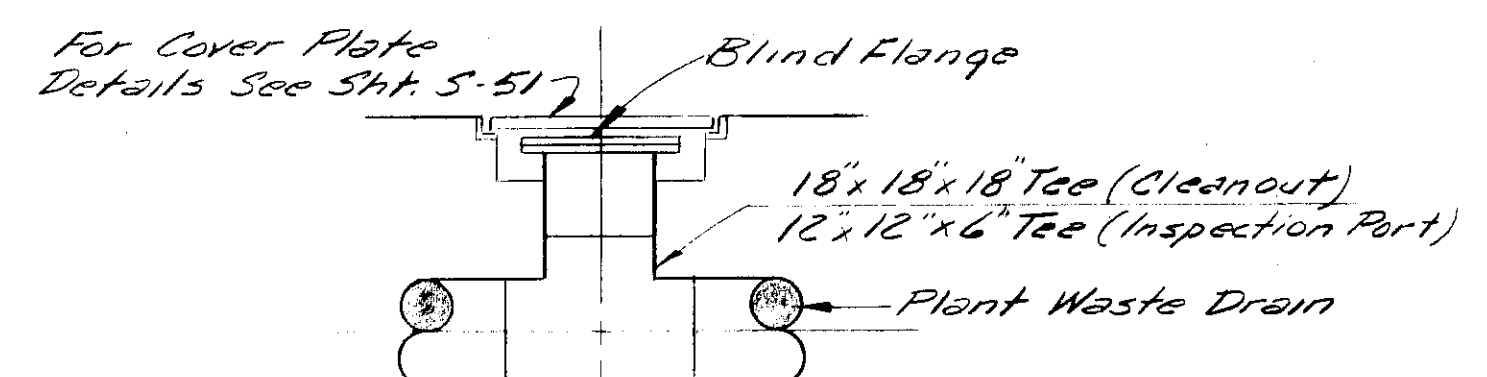
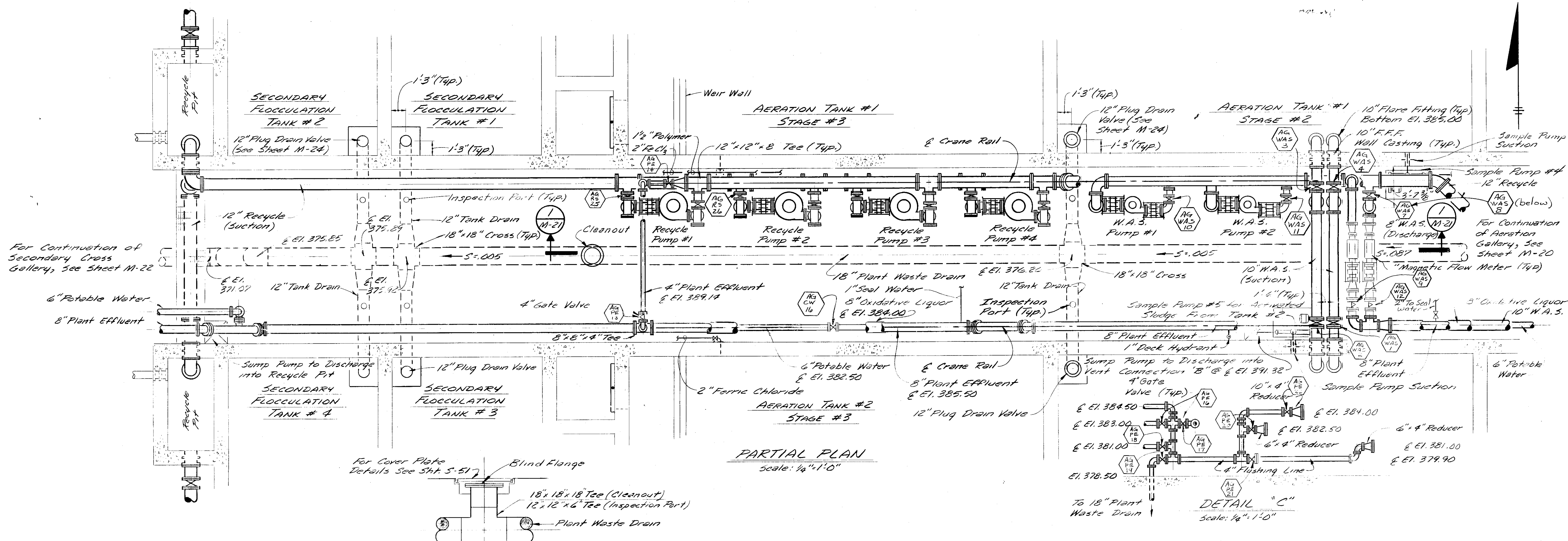
FILE NO. 115.219-032F
DATE JULY 1, 1975
M-19



Belidlow

For Additional Information See Sheets Z-63, RD-39

In charge of <u>W.P.</u> Designed by <u>GRM</u> - Checked by <u>W.P.</u> Made by <u>SEC</u>		NO. DATE REVISION INIT. 11/17/78 General Revisions JJK 5/4/79 General Revisions JJK 6/26/79 CHANGED PLANT WASTE DRAIN JJK	O'BRIEN & GERE ENGINEERS, INC. Syracuse, New York	CLAY SANITARY DISTRICT OAK ORCHARD SERVICE AREA OAK ORCHARD WATER POLLUTION CONTROL PLANT	MECHANICAL AERATION GALLERY PLAN & SECTIONS	FILE NO. 115.219-033F	M-20
		DATE JULY 1, 1975				FILE NO. 115.219-033F	



Note: Detail "B" Represents Discharge Connections For Recycle Pumps #3 & #4.

For Additional Information See Sheets Z-14, RD-12, Z-54R, RD-39

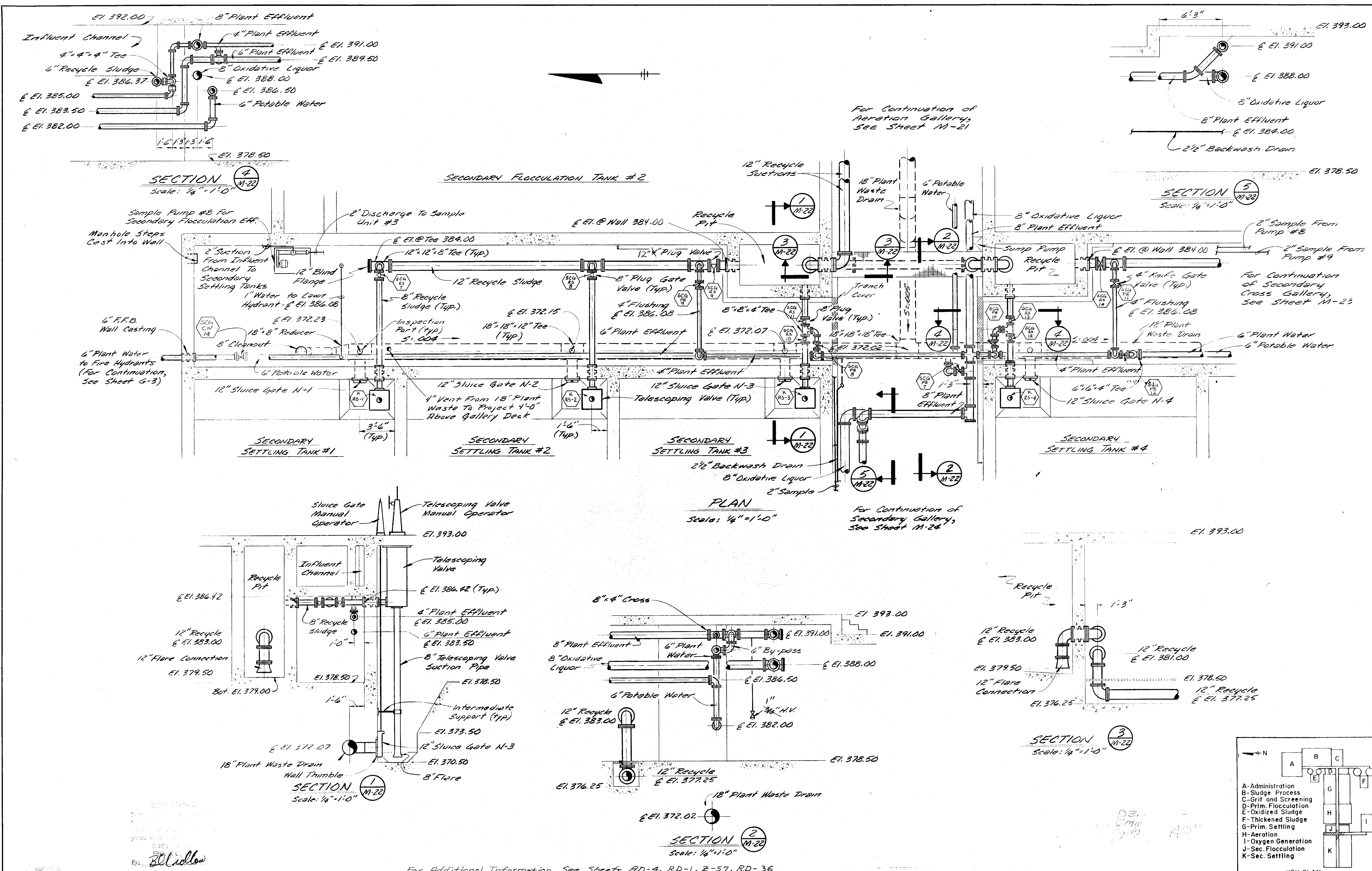
NO.	DATE	REVISION	INIT.
1	11/17/76	General Revisions	GRM
2	5/11/77	General Revisions	GRM
3	6/7/76	CHANGED PLANT WASTE DRAIN	GRM

O'BRIEN & GERE ENGINEERS, INC.
Syracuse, New York

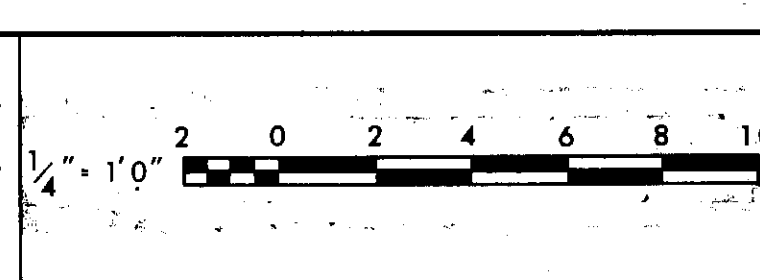
CLAY SANITARY DISTRICT
OAK ORCHARD SERVICE AREA
OAK ORCHARD WATER POLLUTION CONTROL PLANT

MECHANICAL
AERATION GALLERY
PLAN & SECTIONS

FILE NO. 115.219-034F
DATE JULY 1, 1975
M-21



In charge of WSP
 Designed by BRM Checked by WSP
 Made by GEC



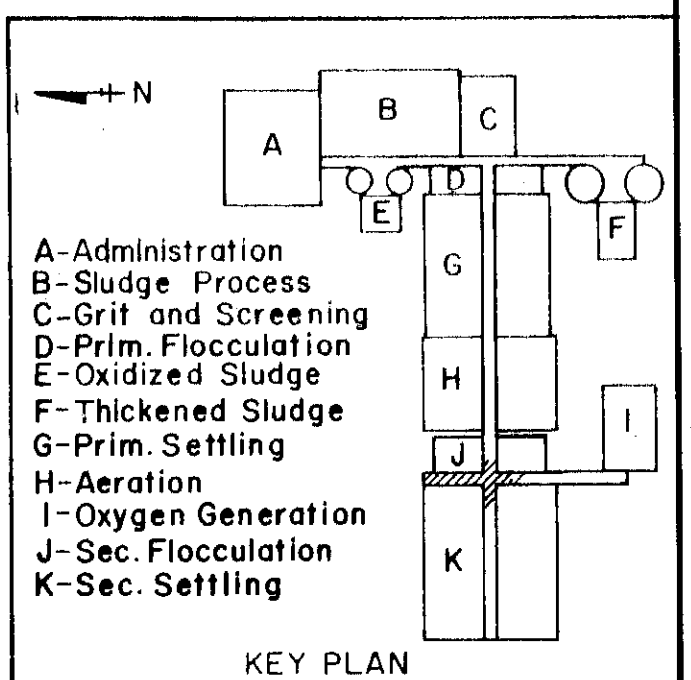
NO.	DATE	REVISION	INIT.
1/13/78		General Revisions	
3/4/77		General Revisions	
8/76		CHANGED PLANT WASTE DRAIN	

O'BRIEN & GERE
 ENGINEERS, INC.
 Syracuse, New York

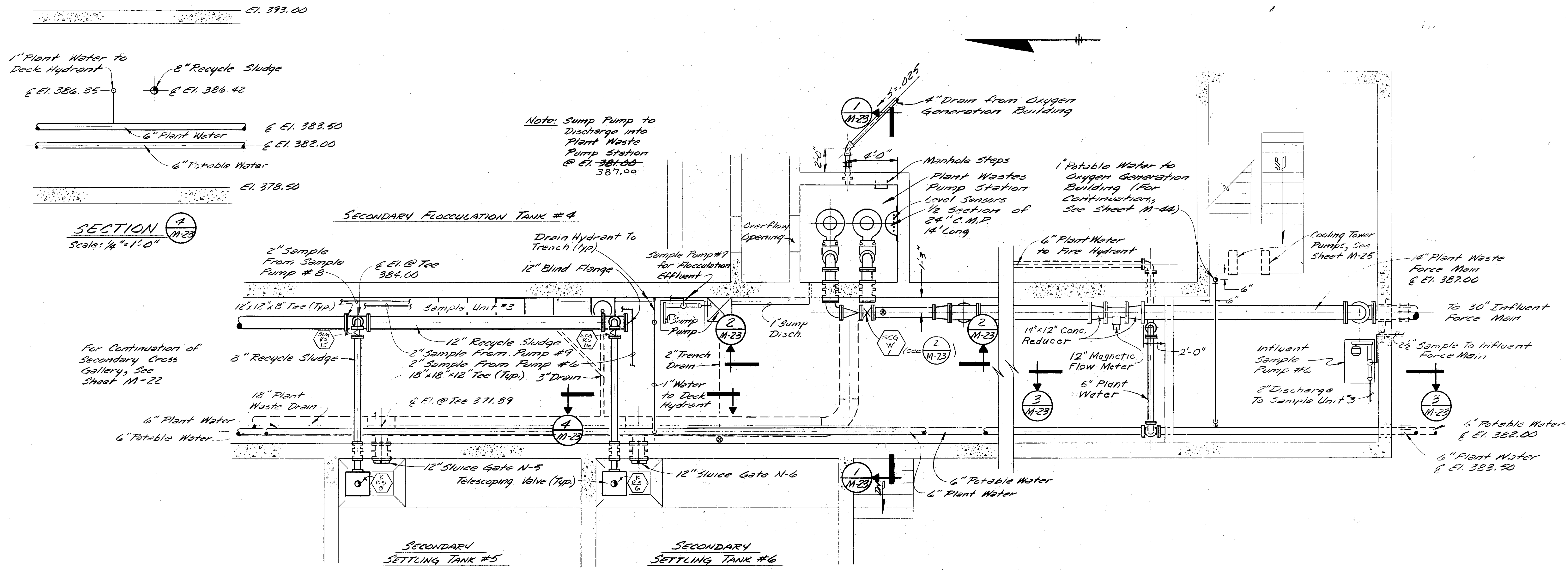
CLAY SANITARY DISTRICT
 OAK ORCHARD SERVICE AREA
 OAK ORCHARD WATER POLLUTION CONTROL PLANT

MECHANICAL
 SECONDARY CROSS GALLERY (NORTH)
 PLAN & SECTIONS

FILE NO. 115.219-035F
 DATE JULY 1, 1975
 M-22

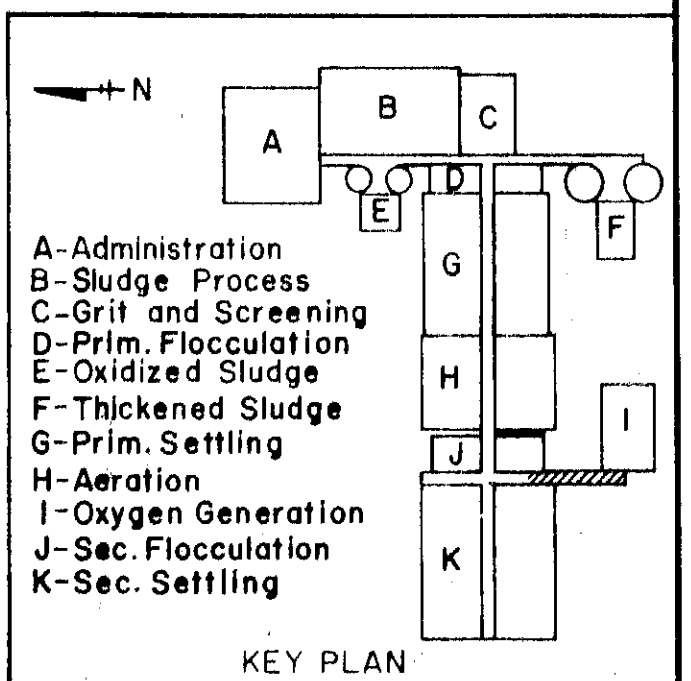


For Additional Information See Sheets AD-4, RD-1, Z-57, RD-36



Note: Sump Pump to Discharge into Plant Waste Pump Station @ El. 387.00 - 387.00

For Continuation of Secondary Cross Gallery, See Sheet M-22



In charge of	WSP
Designed by	GEM
Checked by	WSP
Made by	GBC

NO.	DATE	REVISION	INIT.
11/27/78		General Revisions	JH
1/11/79		General Revisions	JH
6-7/79		CHANGED POINT WASTE DRAIN	JH
7/1/79		REMOVED OFF PLANT WASTE	JH
11/27/78		CHANGED PUMP STATION SECTION	JH

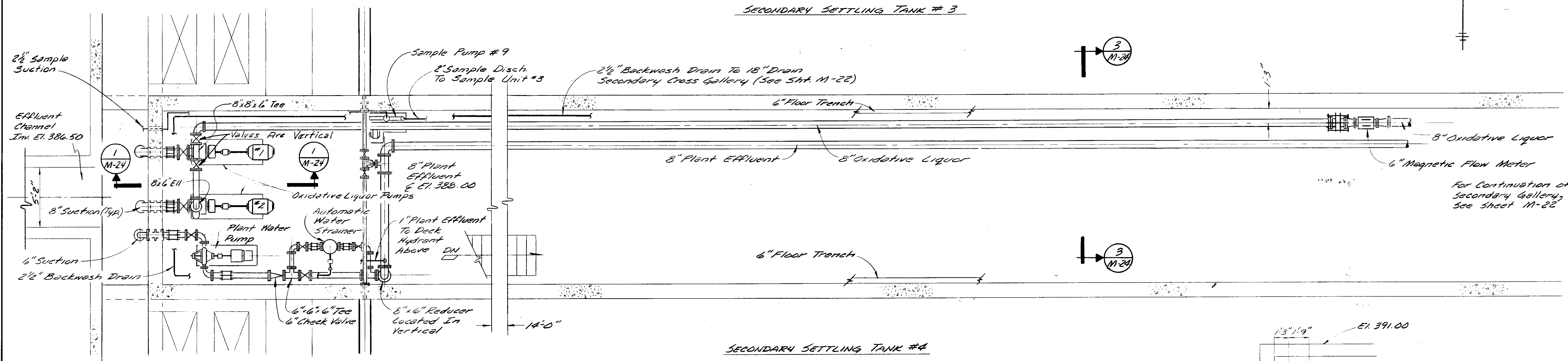
O'BRIEN & GERE ENGINEERS, INC.
Syracuse, New York

CLAY SANITARY DISTRICT
OAK ORCHARD SERVICE AREA
OAK ORCHARD WATER POLLUTION CONTROL PLANT

MECHANICAL
SECONDARY CROSS GALLERY (SOUTH)
PLAN & SECTIONS

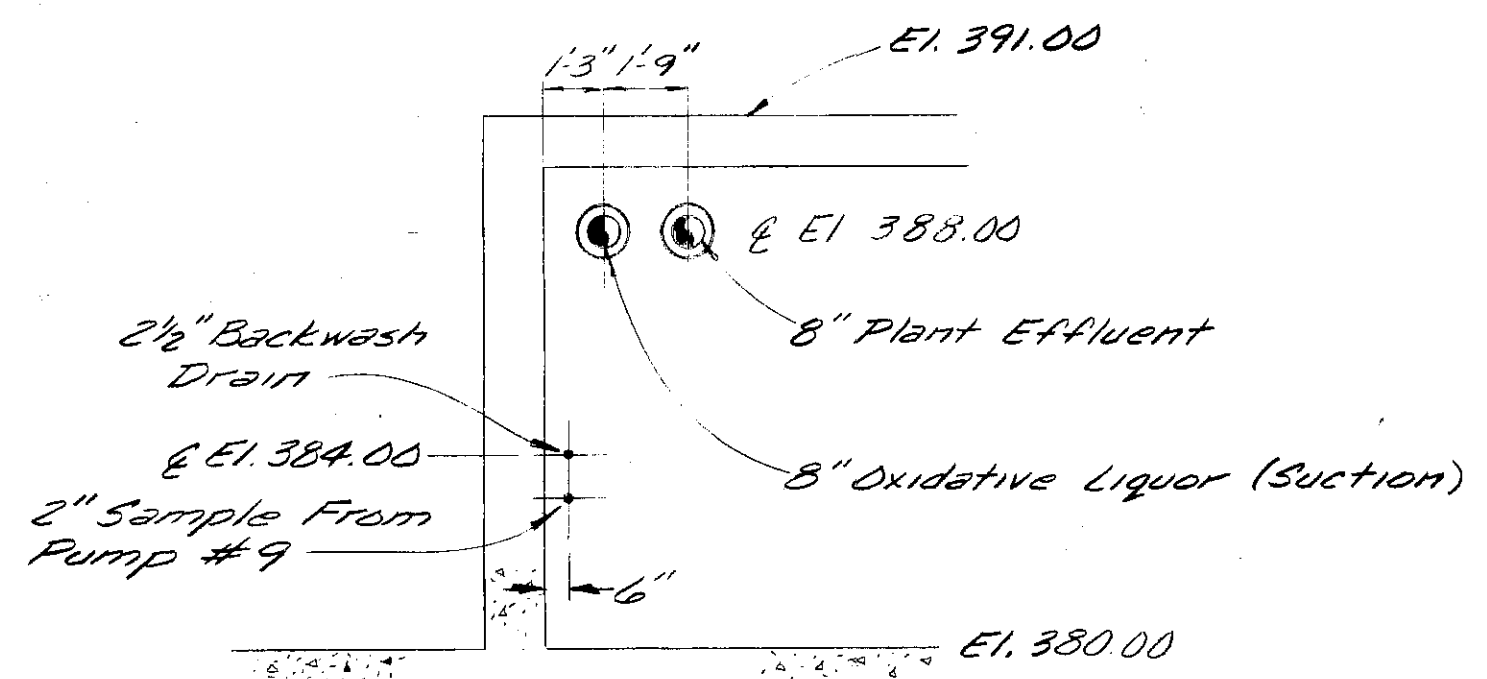
FILE NO. 115.219-036F
DATE JULY 1, 1975
M-23

For Additional Information see Sheets Z-12R, RD-10

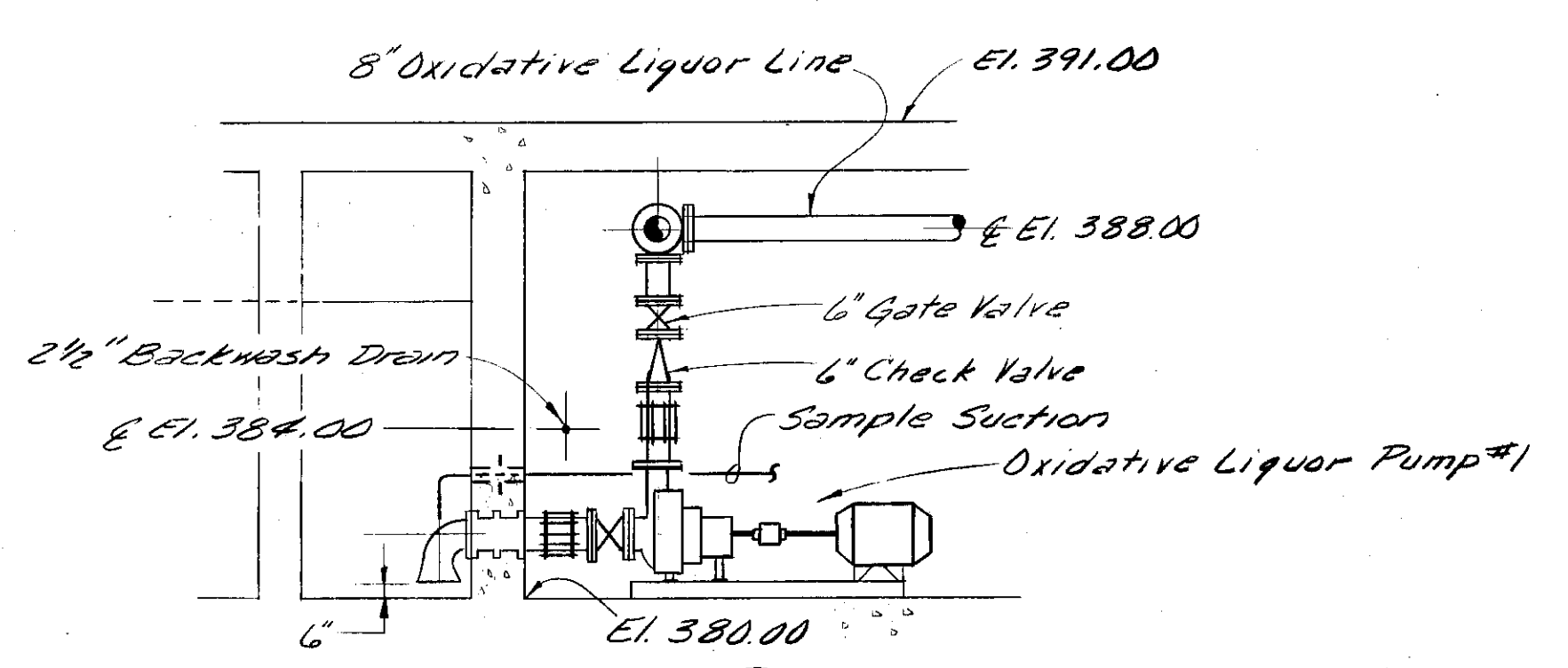


SECONDARY SETTLING TANK #4

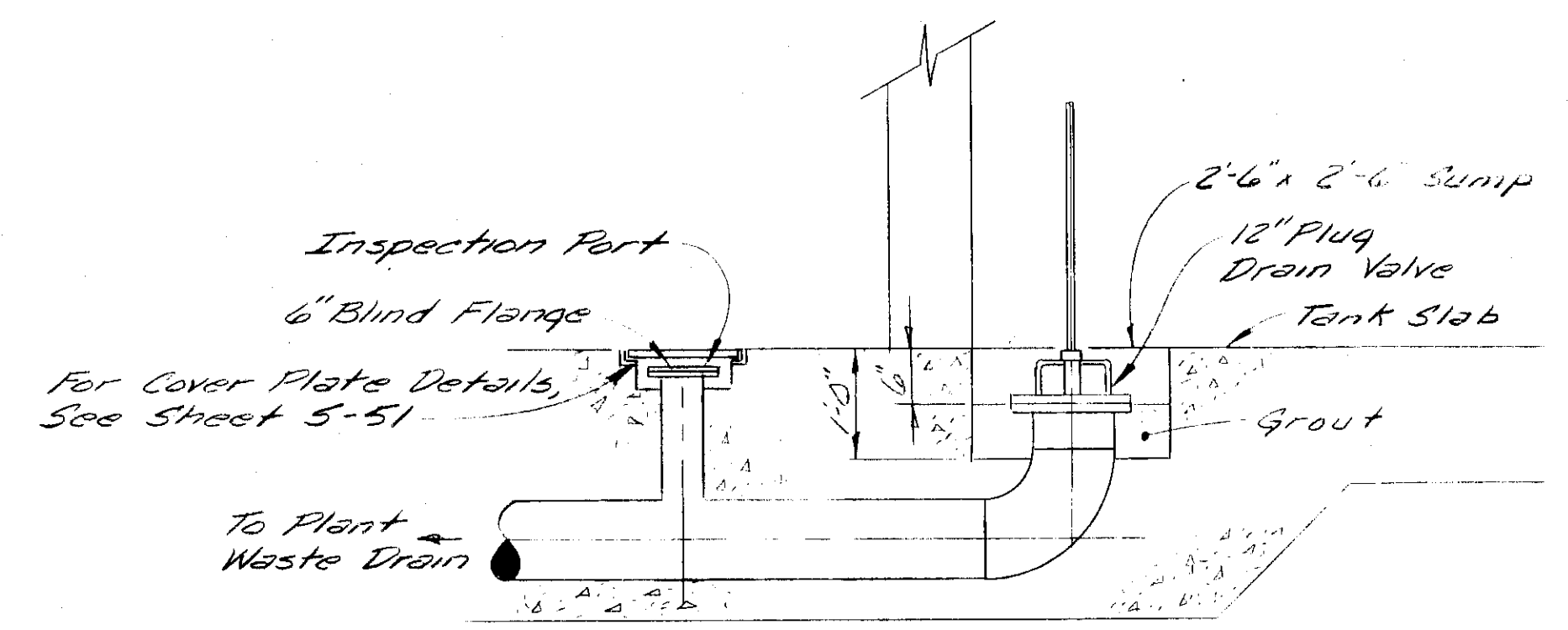
PARTIAL PLAN
Scale: 1/4"=1'-0"



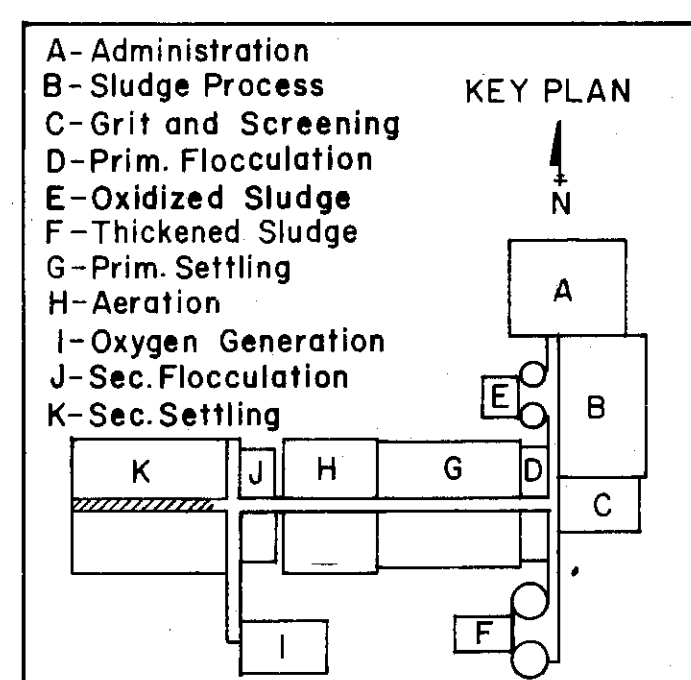
SECTION 3
Scale: 1/4"=1'-0"



SECTION 1
Scale: 1/4"=1'-0"



TYPICAL TANK PLUG
DRAIN VALVE DETAIL
No Scale



KEY PLAN
A - Administration
B - Sludge Process
C - Grit and Screening
D - Prim. Flocculation
E - Oxidized Sludge
F - Thickened Sludge
G - Prim. Settling
H - Aeration
I - Oxygen Generation
J - Sec. Flocculation
K - Sec. Settling

For Additional Information See Sheets Z-59, RD-38

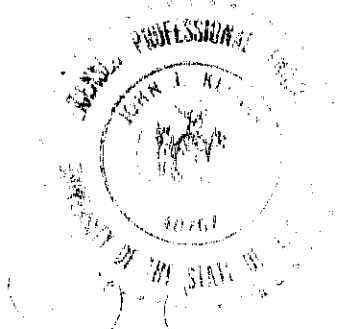
In charge of <i>WSP</i>	NO.	DATE	REVISION	INIT.
Designed by <i>RM</i> Checked by <i>WSP</i>	1/13/76		General Revisions	<i>WSP</i>
Made by <i>GBB</i>	5/4/77		General Revisions	<i>WSP</i>
	8-76		REMOVED SCUM EQUIP & CHANGED DRAIN	<i>WSP</i>

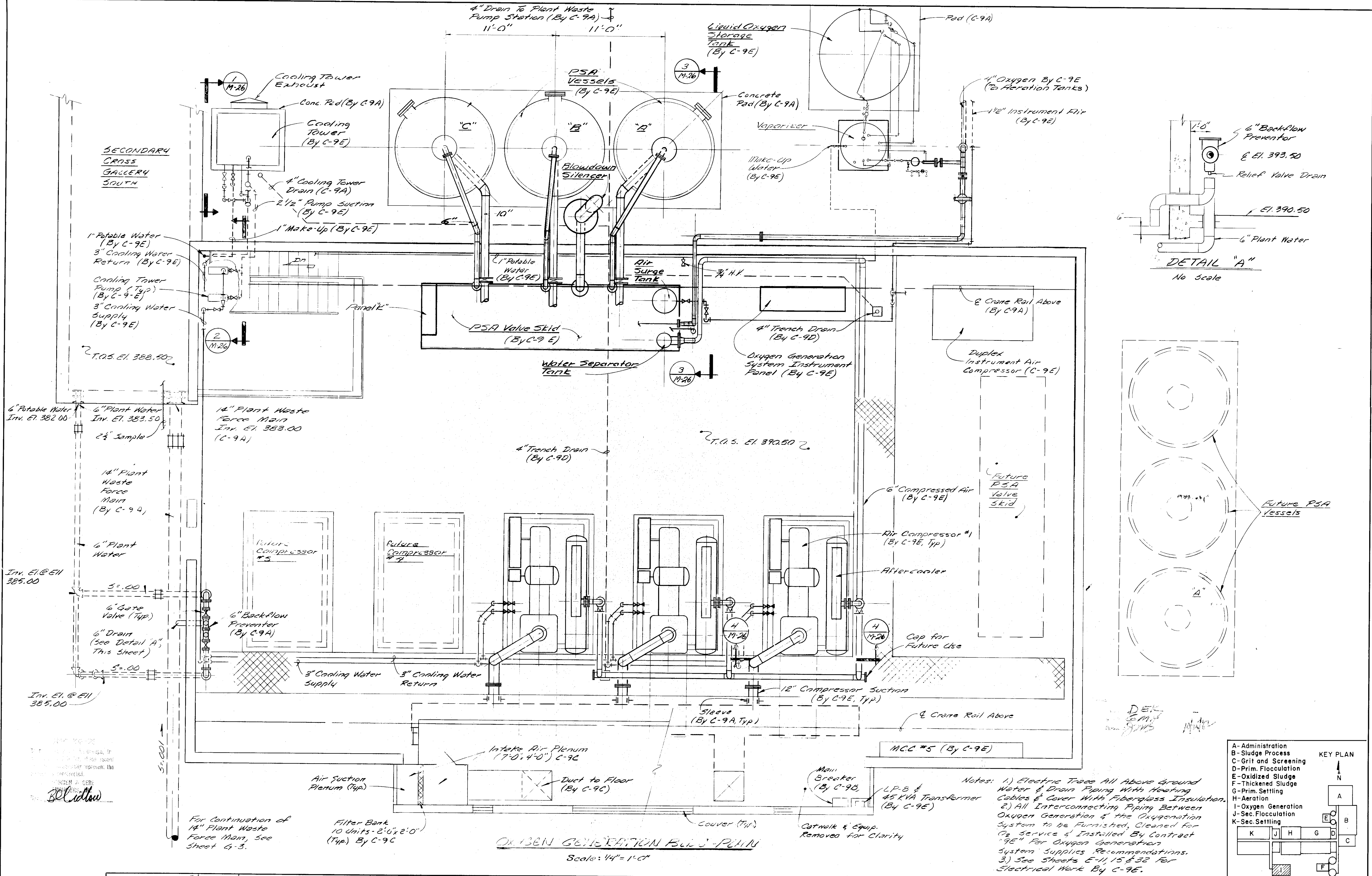


CLAY SANITARY DISTRICT
OAK ORCHARD SERVICE AREA
OAK ORCHARD WATER POLLUTION CONTROL PLANT

MECHANICAL
SECONDARY GALLERY
PLAN & SECTIONS

FILE NO.
115.219-037F
DATE
JULY 1, 1975
M-24





In charge of W. J. [Signature]
 Designed by AIS Checked by AIS
 Made by GBC



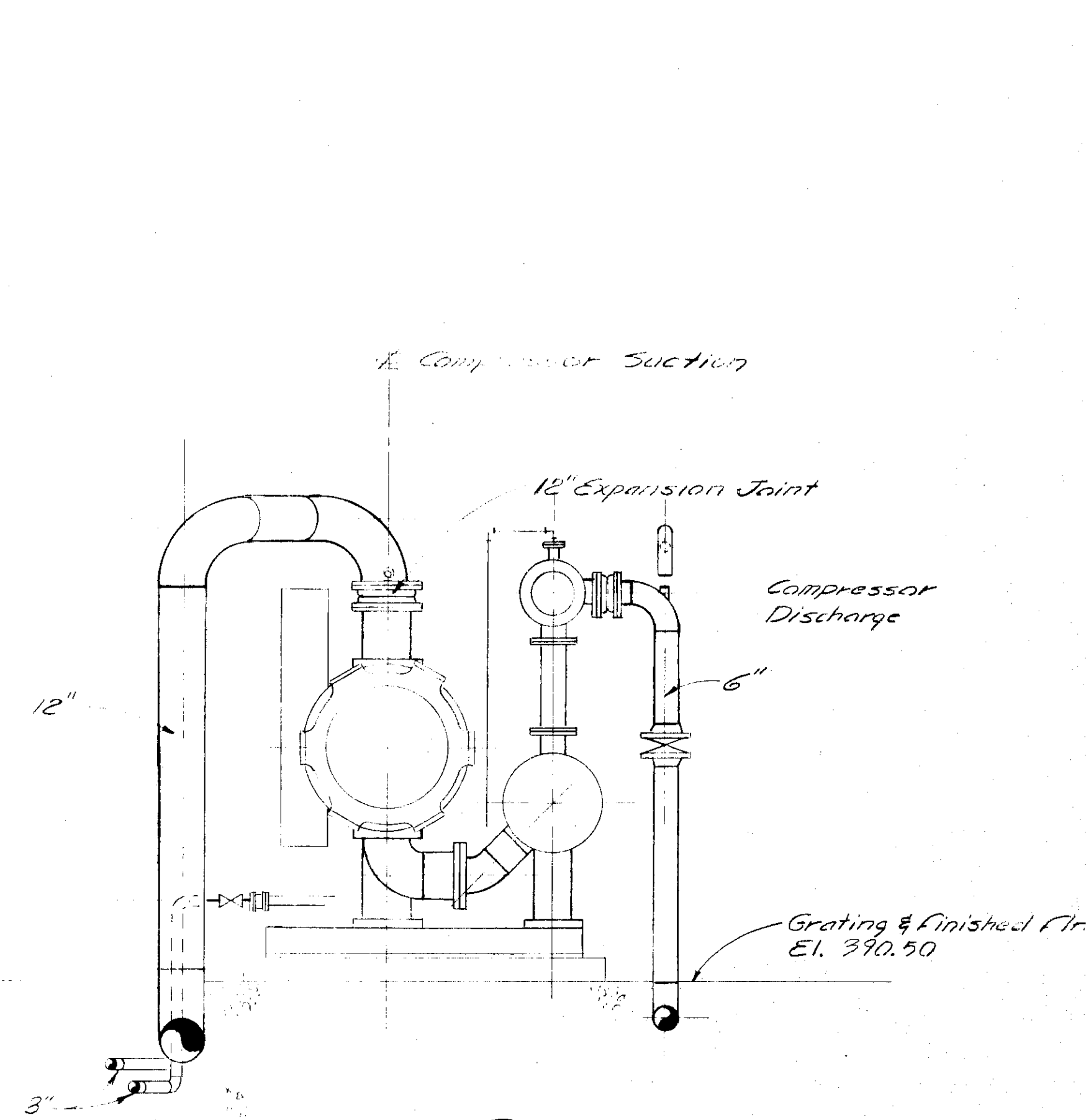
NO.	DATE	REVISION	INIT.

O'BRIEN & GERE
ENGINEERS, INC.
Syracuse, New York

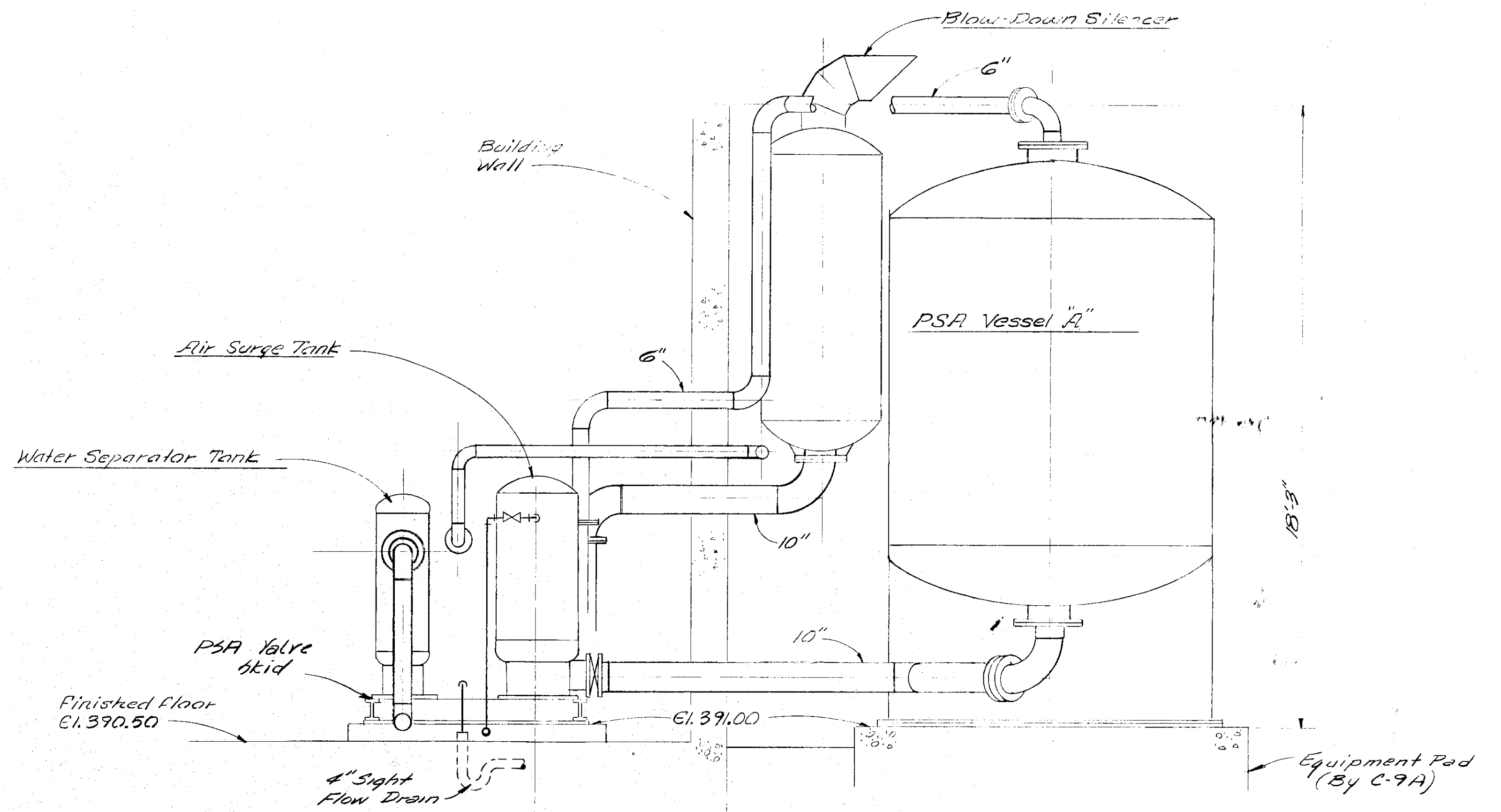
CLAY SANITARY DISTRICT
OAK ORCHARD SERVICE AREA
OAK ORCHARD WATER POLLUTION CONTROL PLANT

MECHANICAL
OXYGEN GENERATION BLDG.
PLAN

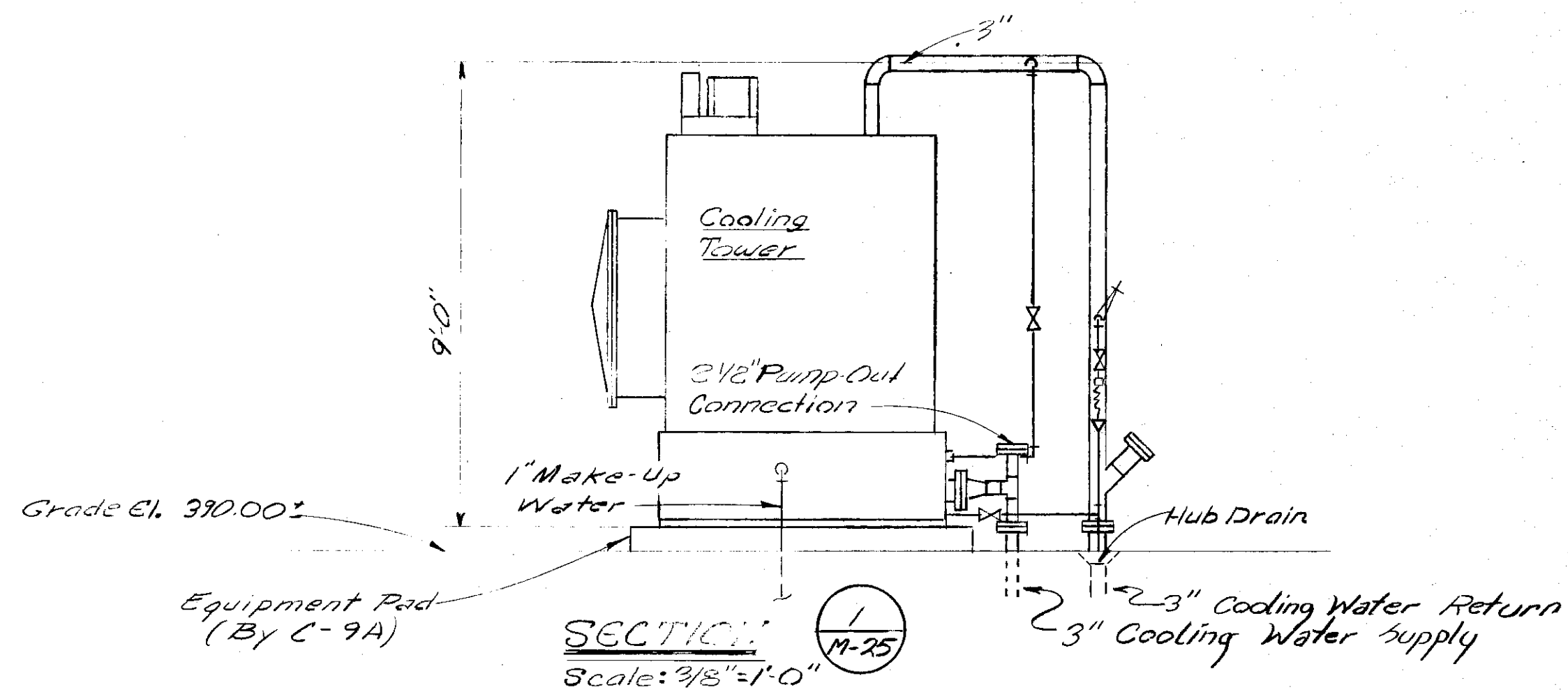
FILE NO. 115.219-227F
DATE MARCH 17, 1978
AD-6
M-25



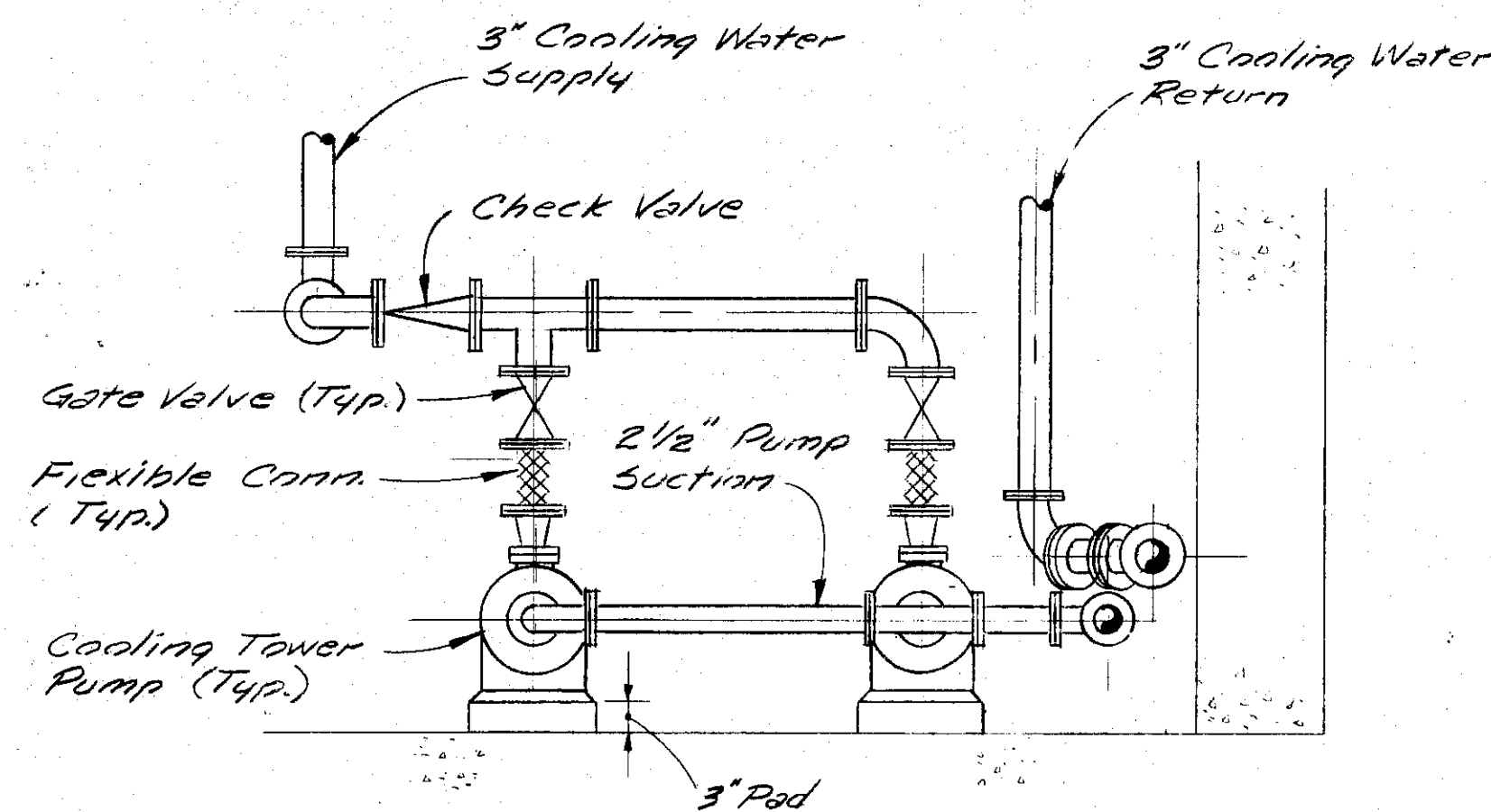
SECTION 4
Scale: 3/8"=1'-0"
M-25



SECTION 3
Scale: 3/8"=1'-0"
M-25



SECTION 1
Scale: 3/8"=1'-0"
M-25



SECTION 2
Scale: 3/4"=1'-0"
M-25

DESIGNED BY
CHECKED BY
MADE BY
BL

Note: See Sheet E-11 & E-22 For Electrical Work Required Under Contract 95.

In charge of <u>WSP</u>	3/8"=1'	NO.	DATE	REVISION	INIT.
Designed by <u>GRM</u> Checked by <u>WSP</u>	3/4"=1'				
Made by <u>ELLS</u>				Alpha General Revisions	JH
				Beta General Revisions	JH

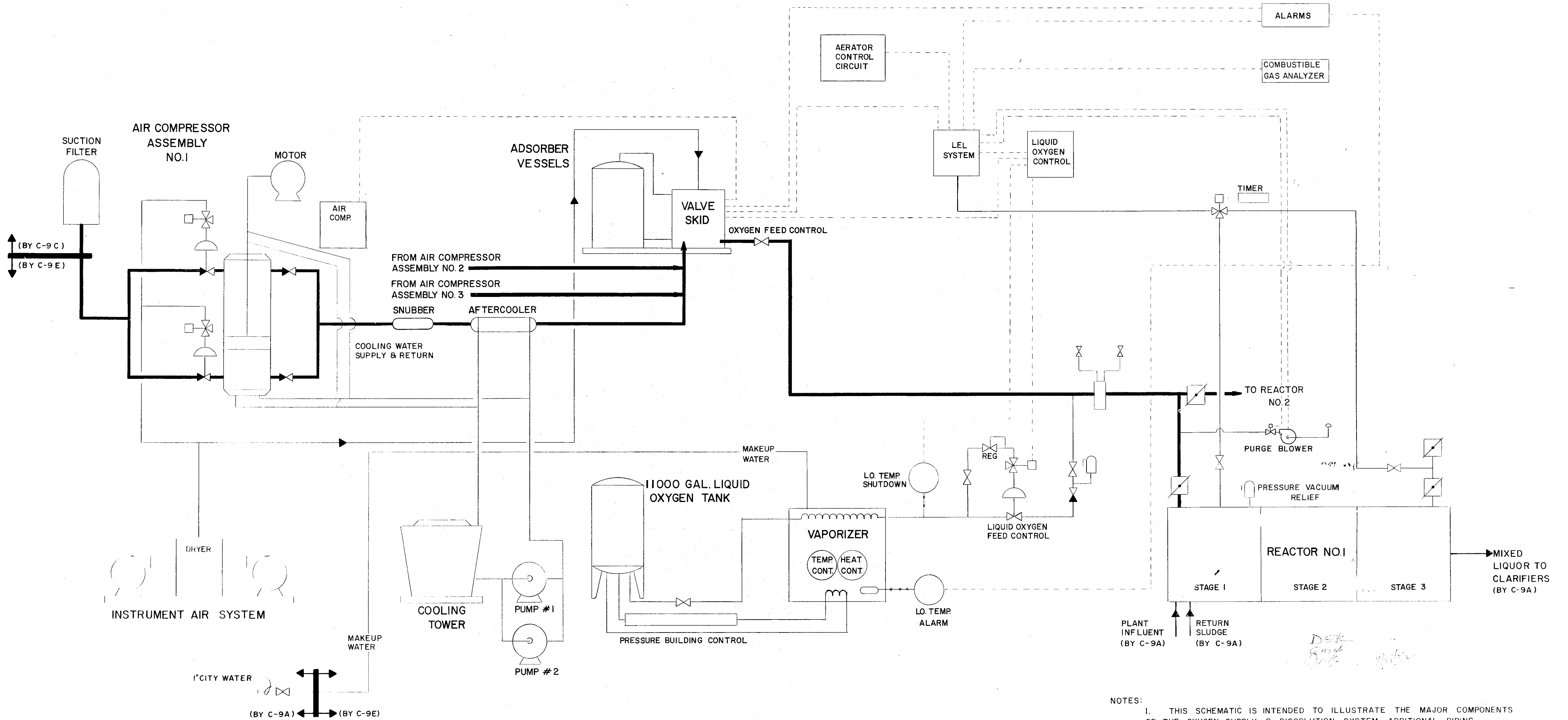
O'BRIEN & GERE
ENGINEERS, INC.
Syracuse, New York

CLAY SANITARY DISTRICT
OAK ORCHARD SERVICE AREA
OAK ORCHARD WATER POLLUTION CONTROL PLANT

MECHANICAL
OXYGEN GENERATION BLDG.
SECTIONS

FILE NO.
115.219-039F
DATE
JULY 1, 1975

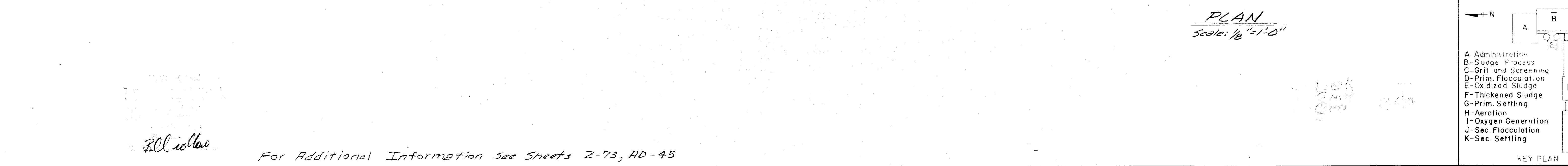
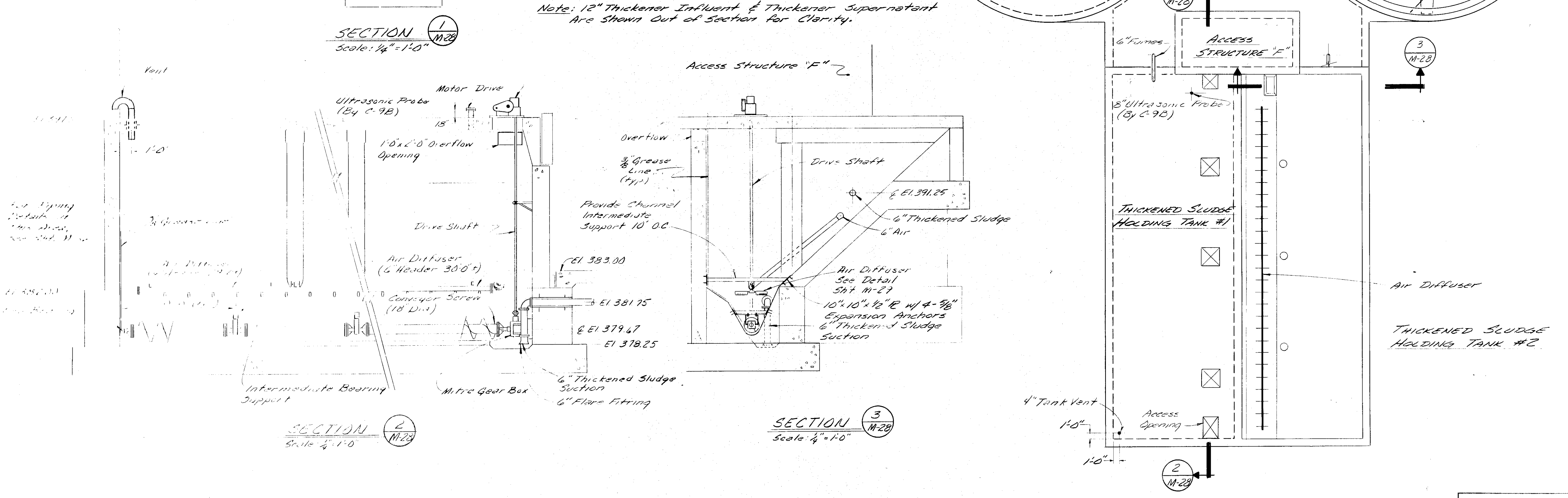
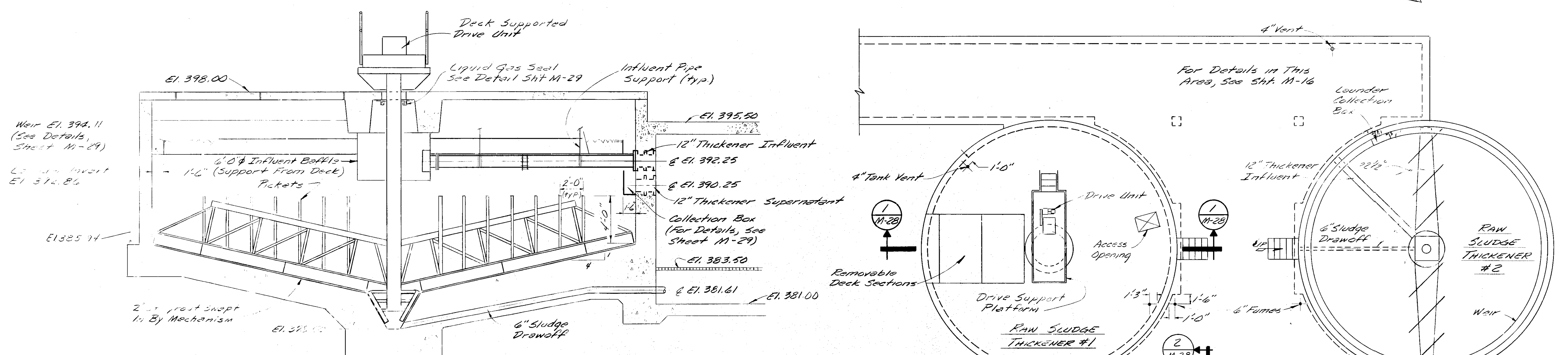
M-26



- NOTES:
1. THIS SCHEMATIC IS INTENDED TO ILLUSTRATE THE MAJOR COMPONENTS OF THE OXYGEN SUPPLY & DISSOLUTION SYSTEM. ADDITIONAL PIPING, EQUIPMENT & VALVES WILL BE REQUIRED TO BE SUPPLIED & INSTALLED UNDER CONTRACT C-9E.
 2. THE SYSTEM SHALL BE SUPPLIED IN ACCORDANCE WITH THE MATERIALS & PERFORMANCE SECTION HEADED "OXYGEN SUPPLY & DISSOLUTION SYSTEM."
 3. ALL CONCRETE WORK INCLUDING GROUTING OF EQUIPMENT BASEPLATES, BUILDING IN OF SLEEVES & OTHER EMBEDDED ITEMS BY CONTRACT C-9A.
 4. ALL FLOOR DRAINS & EQUIPMENT DRAINS BY CONTRACT C-9D.
 5. SEE SHEETS E-10, 11, 15, 30, 32 & 41 FOR ELECTRICAL WORK REQUIRED BY CONTRACT 9E.

DESIGNED BY
 CHECKED BY
 MADE BY

In charge of Designed by Made by	NO SCALE	NO.	DATE	REVISION	INIT.	O'BRIEN & GERE ENGINEERS, INC. Syracuse, New York	CLAY SANITARY DISTRICT OAK ORCHARD SERVICE AREA OAK ORCHARD WATER POLLUTION CONTROL PLANT	MECHANICAL OXYGEN GENERATION SCHEMATIC	FILE NO. 115.219-040F	M-27
		11/3/75	General Revisions						DATE JULY 1, 1975	



In charge of _____
 Designed by _____ Checked by _____
 Made by _____

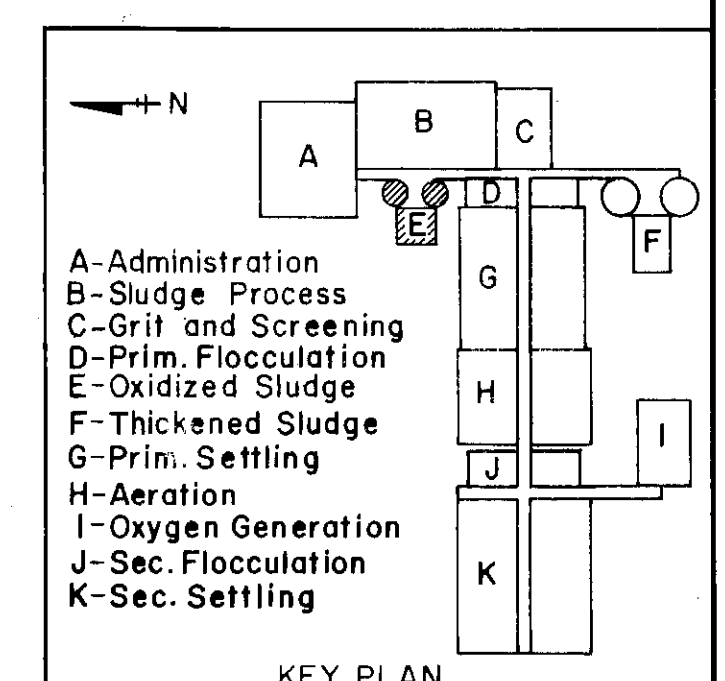
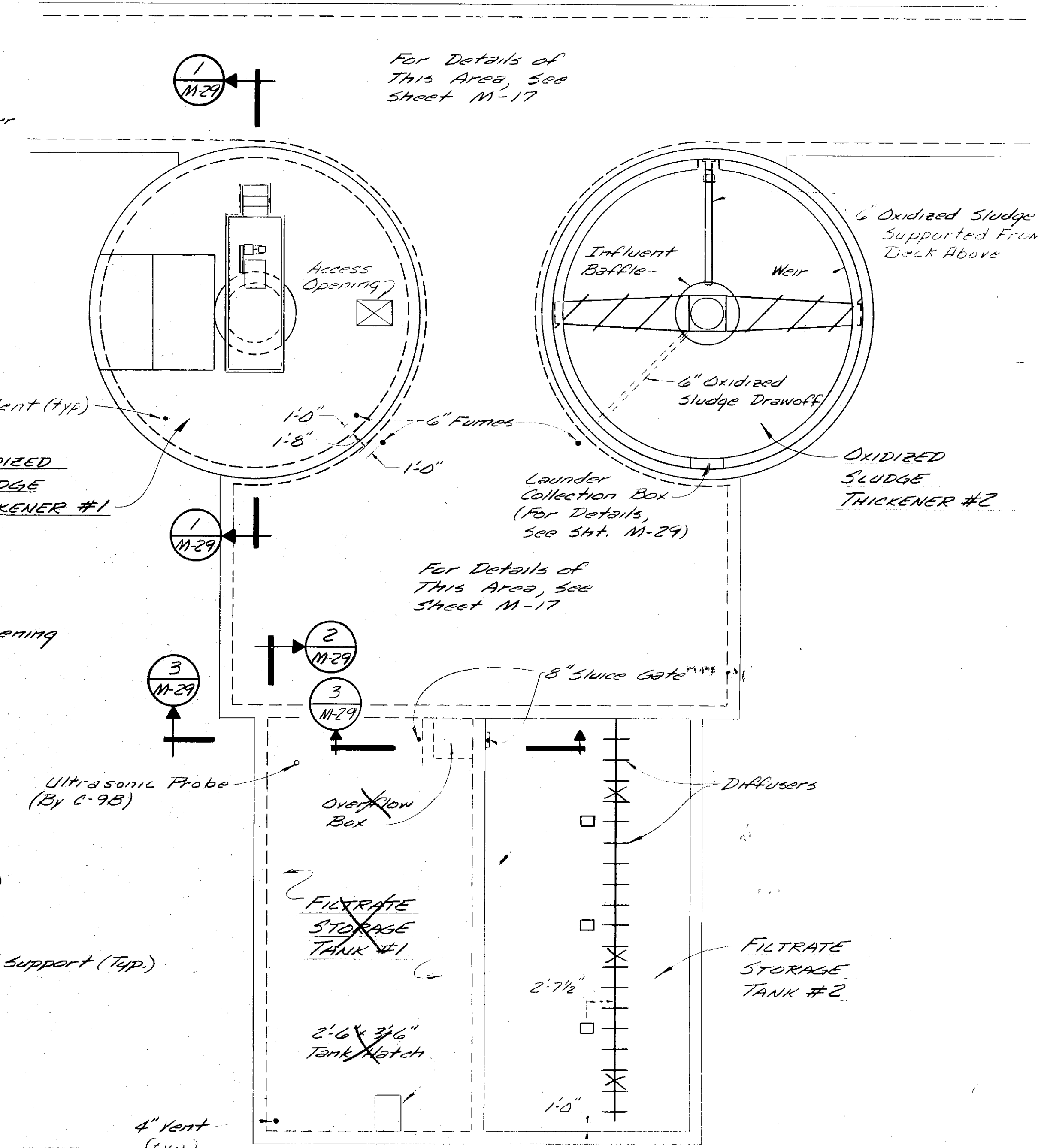
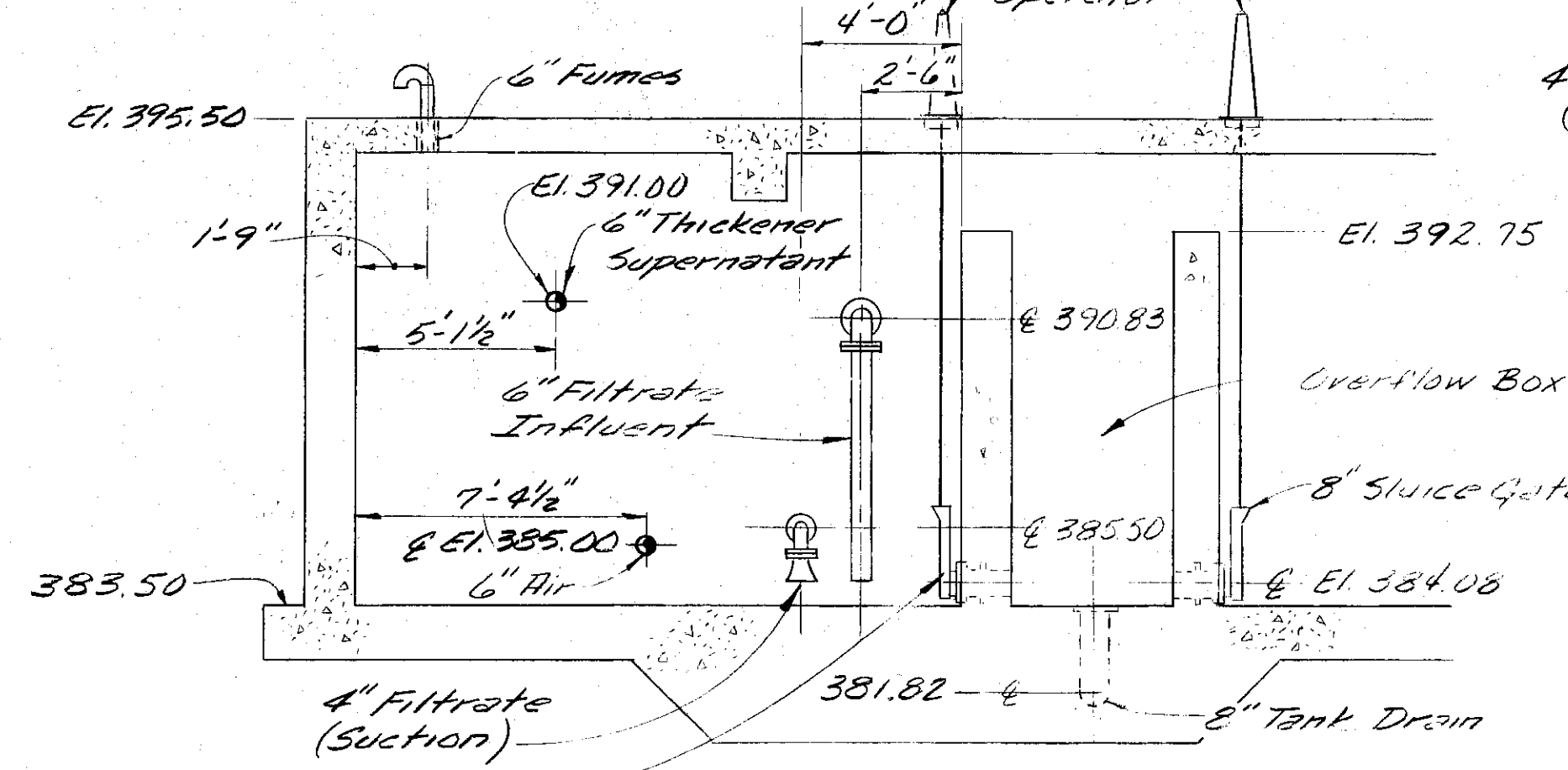
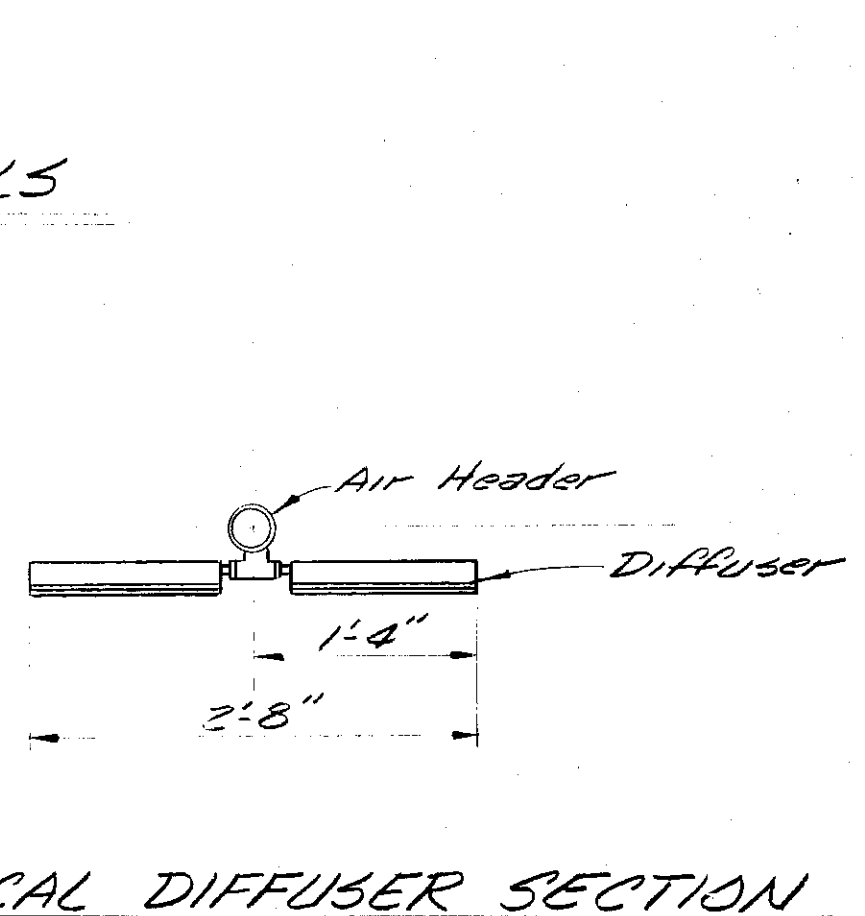
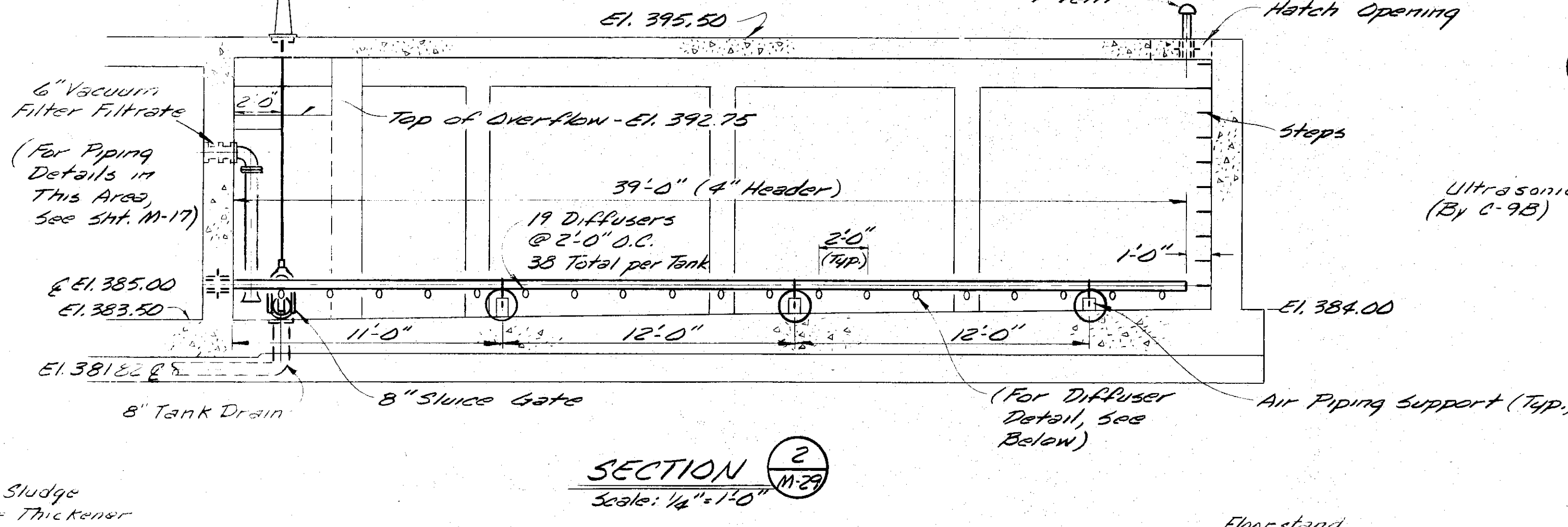
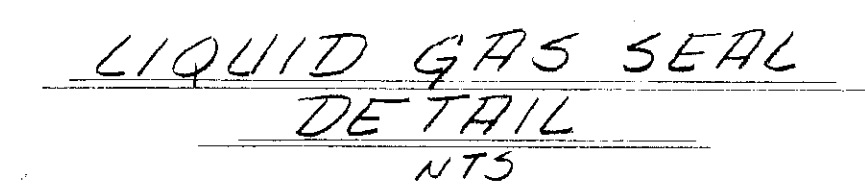
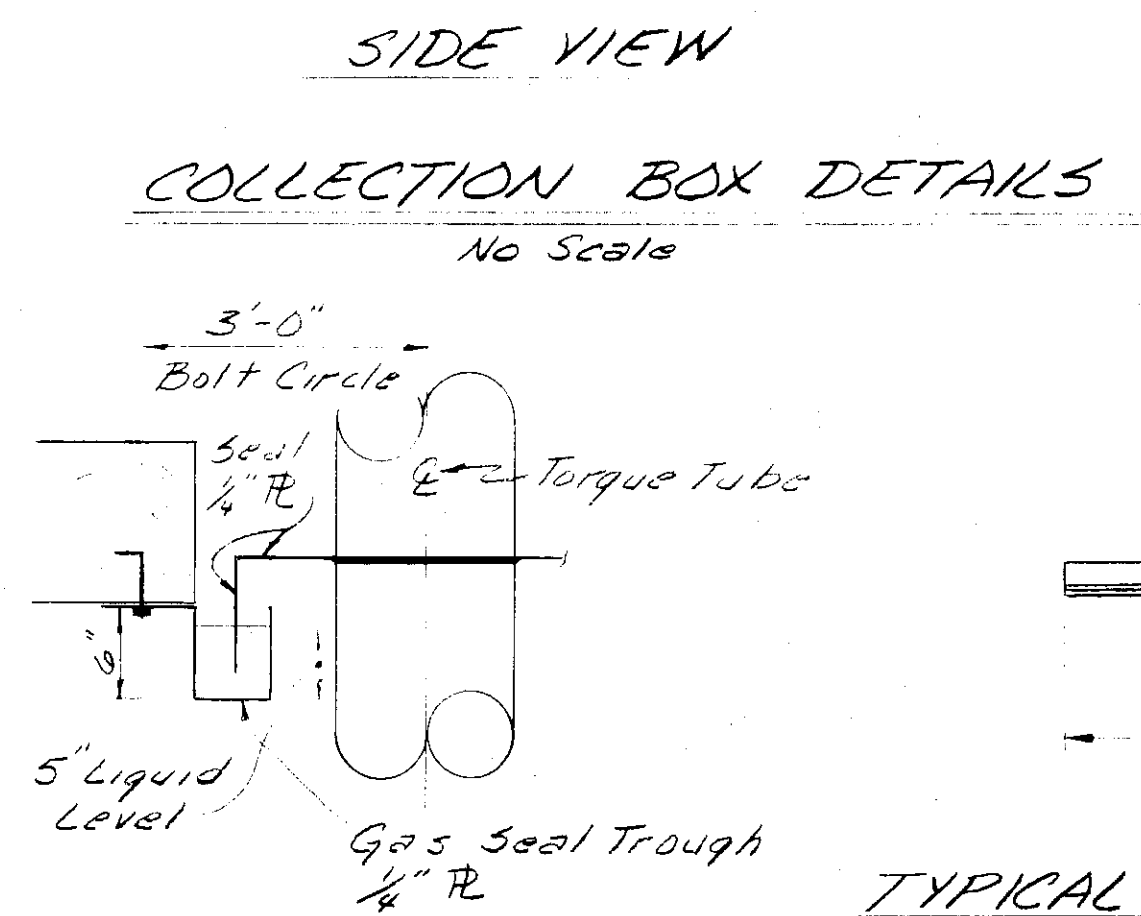
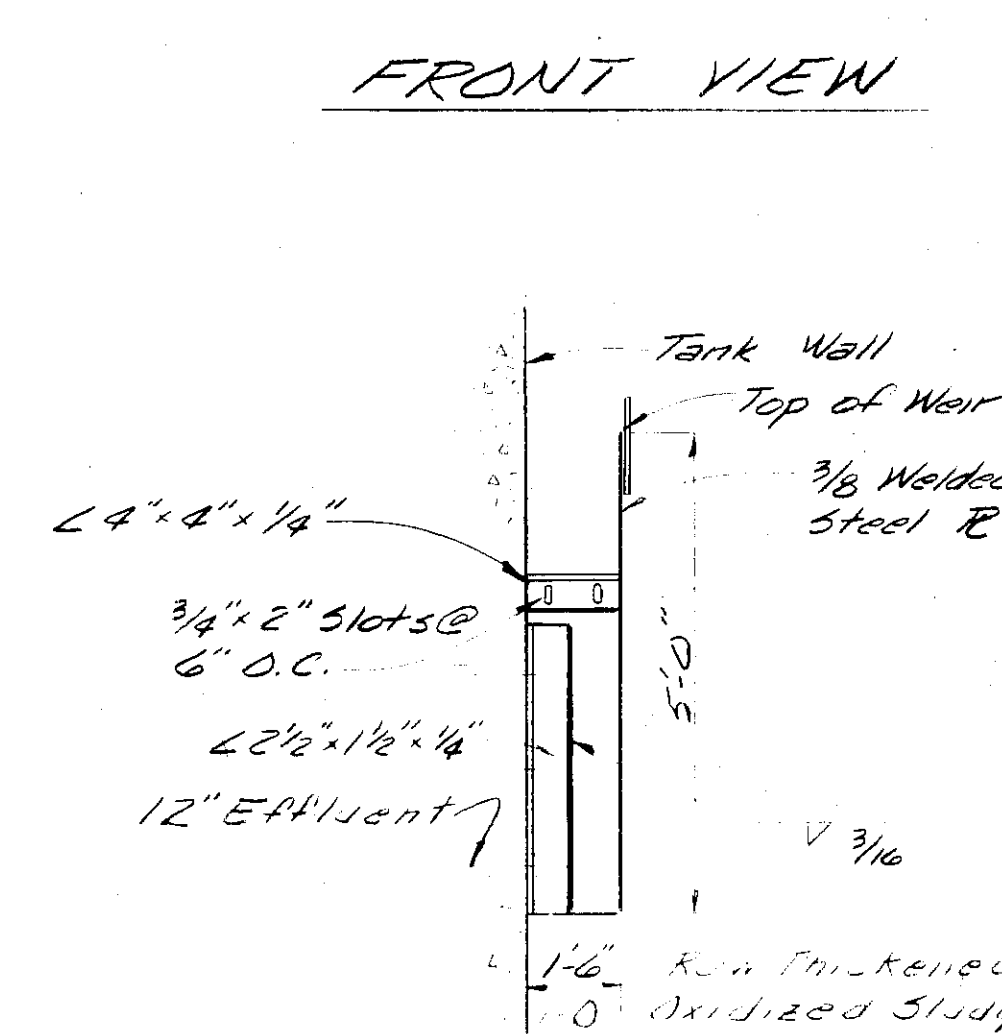
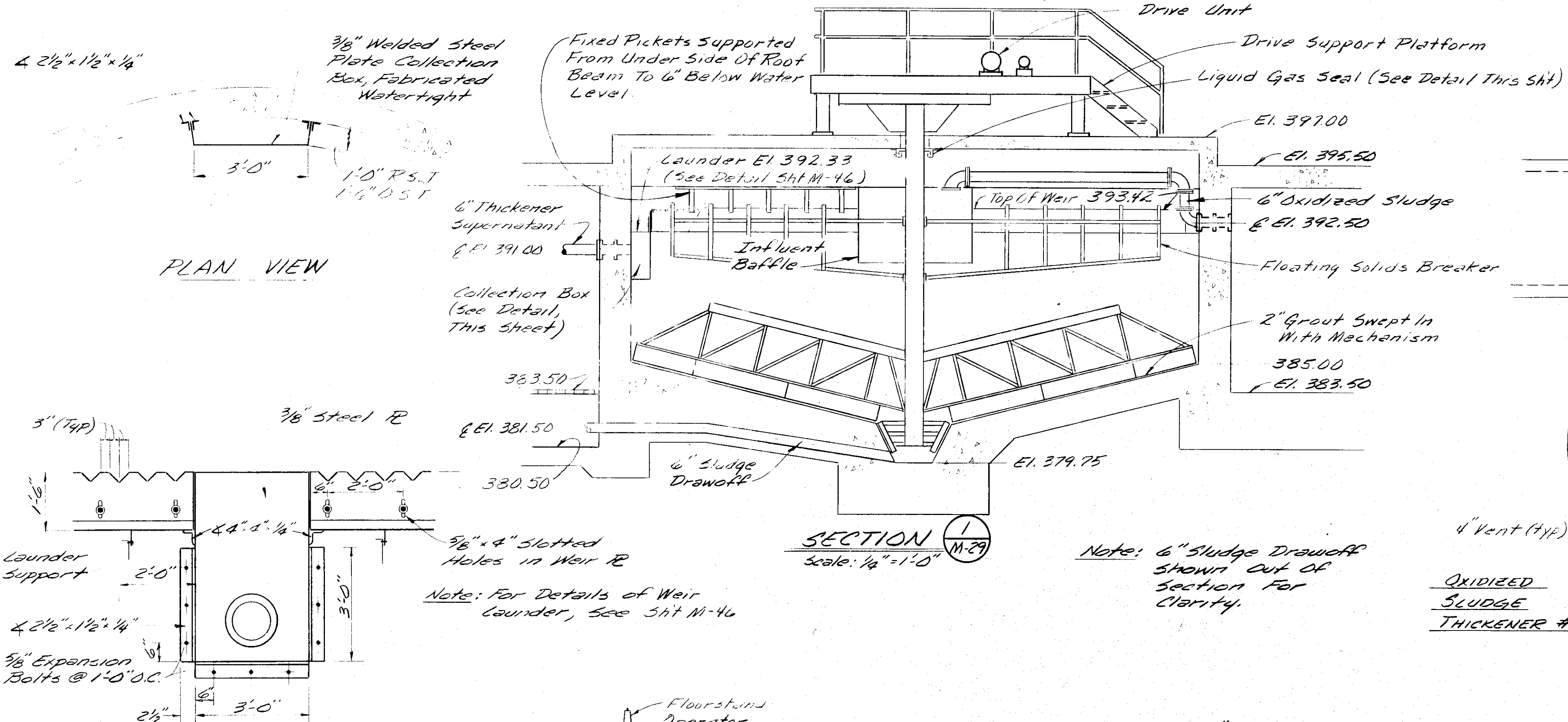
NO.	DATE	REVISION	INIT.
1	1/19/78	General Revisions	W
2	4/11/78	General Revisions	JL
3	5/7/78	CHANGED THICKENERS	W

O'BRIEN & GERE ENGINEERS, INC.
Syracuse, New York

**CLAY SANITARY DISTRICT
OAK ORCHARD SERVICE AREA
OAK ORCHARD WATER POLLUTION CONTROL PLANT**

**MECHANICAL
RAW SLUDGE THICKENERS & HOLDING TANKS
PLAN & SECTIONS**

FILE NO. 115,219-041F
DATE JULY 1, 1975
M-28



In charge of	WSP
Designed by	AJS
Checked by	WSP
Made by	WSP

NO.	DATE	REVISION	INIT.
1		General Revisions	
2		General Revisions	
3		CHANGED THICKENERS	

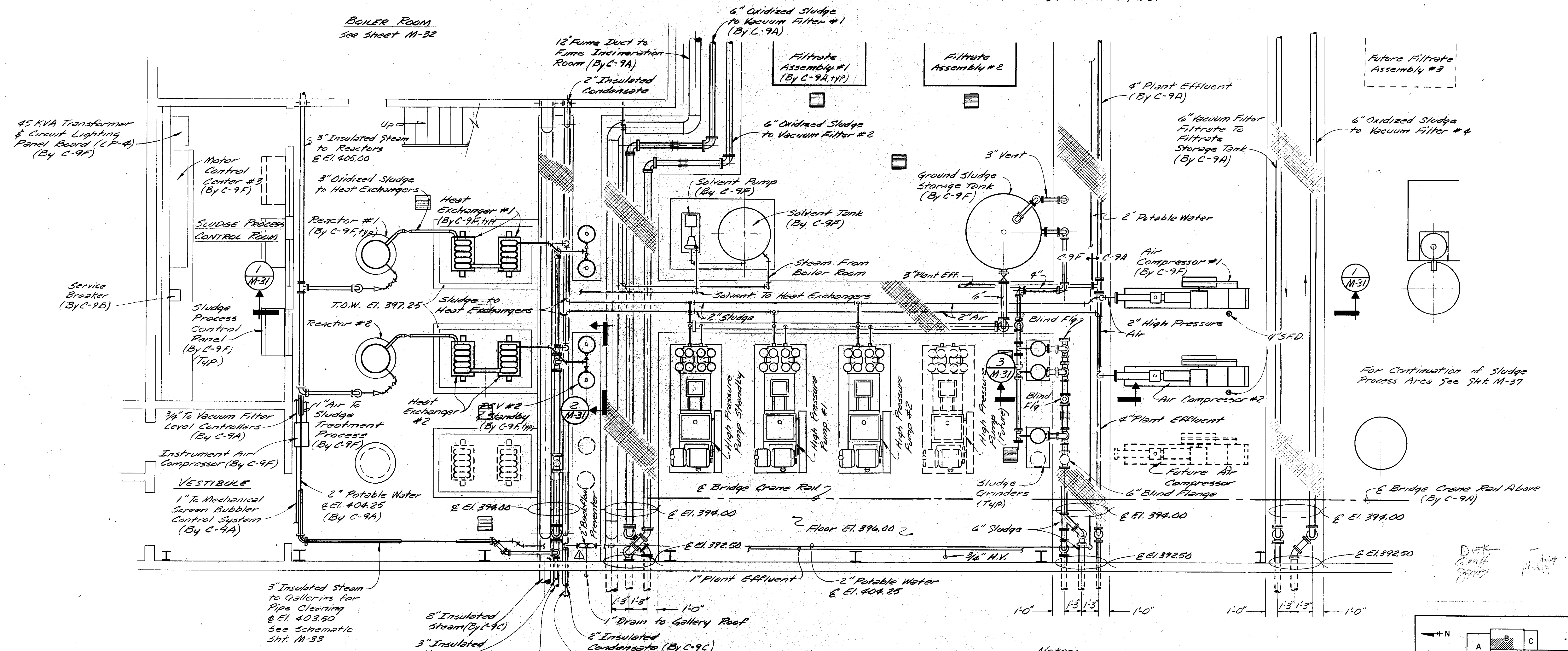
O'BRIEN & GERE
ENGINEERS, INC.
Syracuse, New York

CLAY SANITARY DISTRICT
OAK ORCHARD SERVICE AREA
OAK ORCHARD WATER POLLUTION CONTROL PLANT

MECHANICAL
OXIDIZED SLUDGE THICKENERS
& FILTRATE STORAGE TANKS
PLAN, SECTIONS & DETAILS

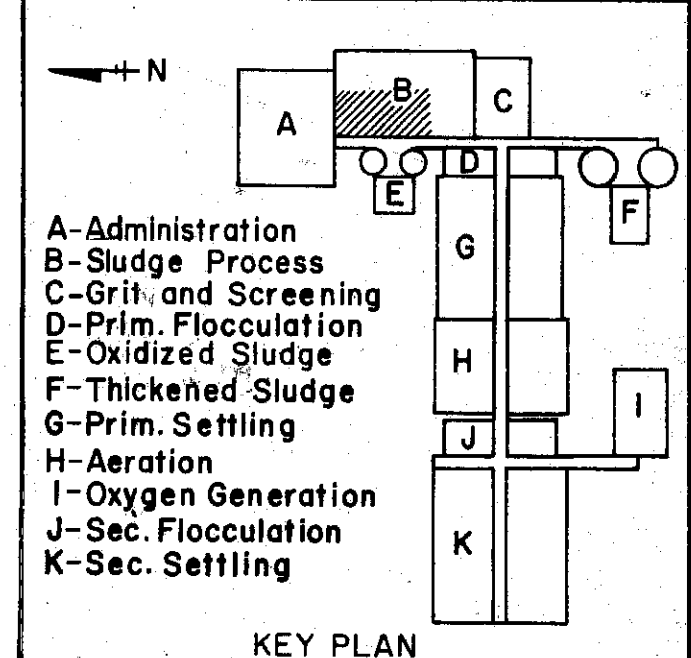
FILE NO.
115.219-042F
DATE
JULY 1, 1975
M-29

For Continuation of Sludge Process Area See Sheets M-32 & M-33



SLUDGE PROCESS PLAN
Scale: 1/4" = 1'-0"

- Notes:
- M-30-34 are intended to illustrate the major components of the sludge treatment system. Additional piping, equipment & valves required, shall be by contract C-9F.
 - The system shall be supplied in accordance with the materials & performance section headed "Sludge Treatment Process".
 - All piping valves & equip. on M-31 thru M-34. By C-9F, unless otherwise noted. Flanges for connections to future equipment.



DESIGNED BY: *[Signature]*
CHECKED BY: *[Signature]*
MADE BY: *[Signature]*

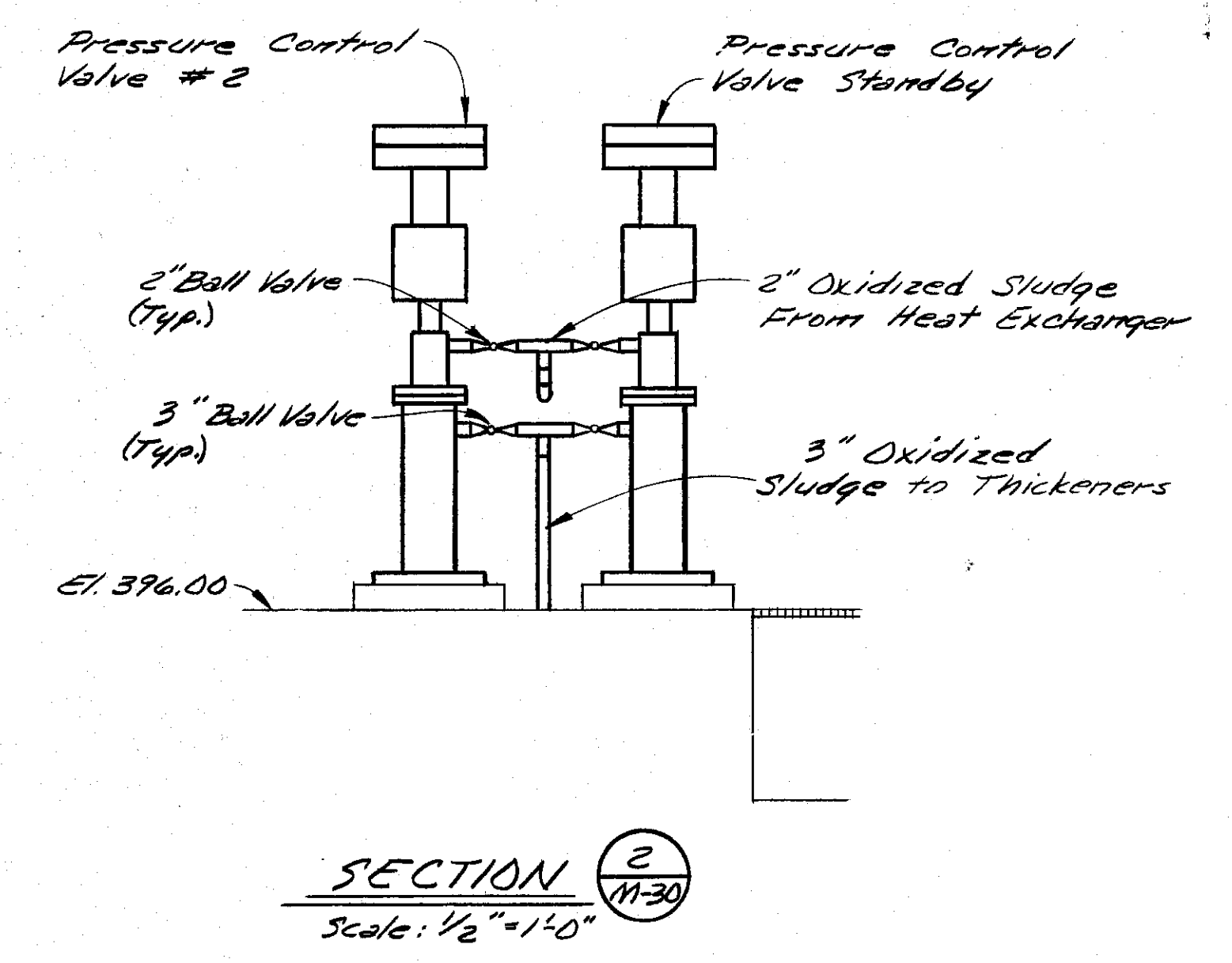
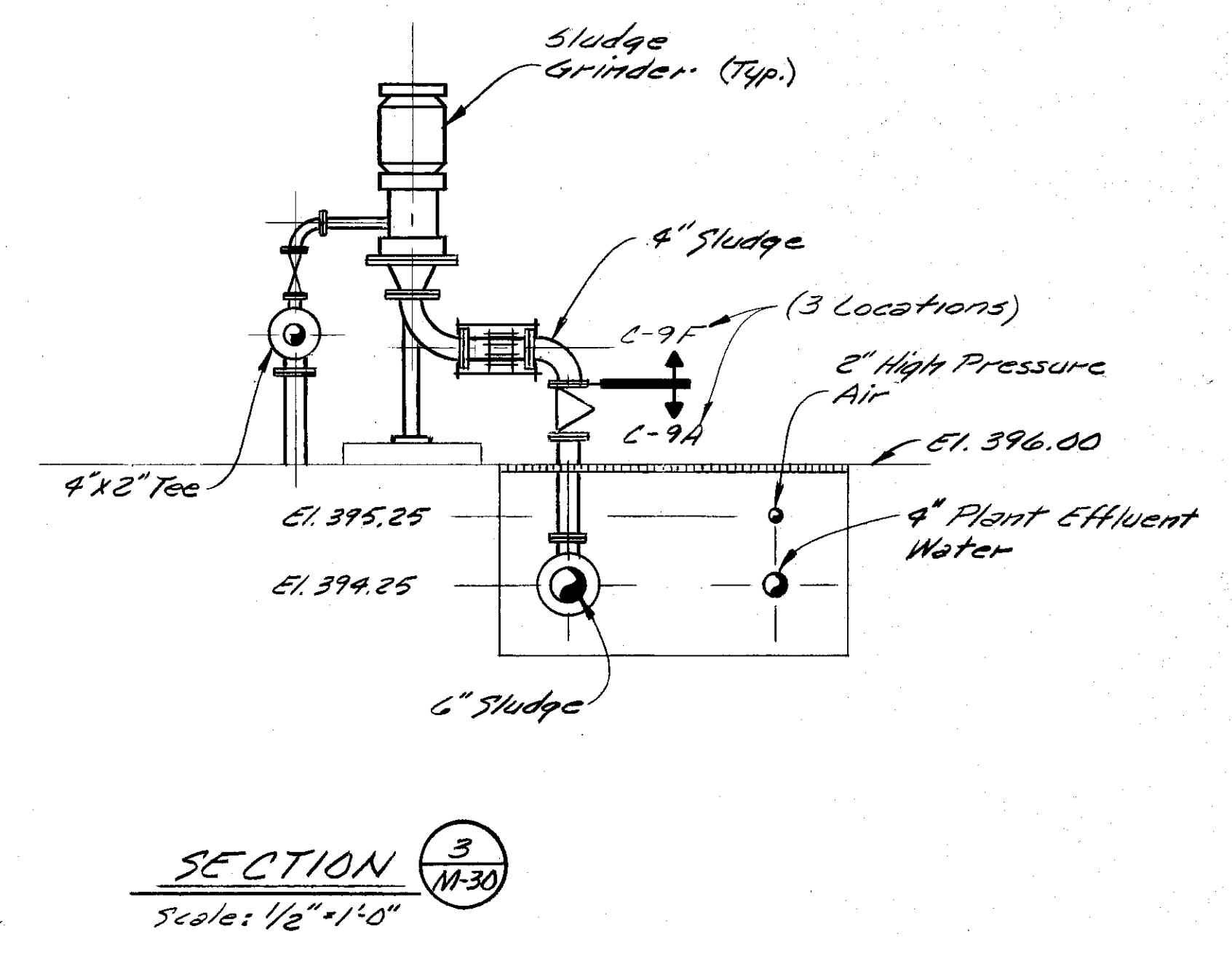
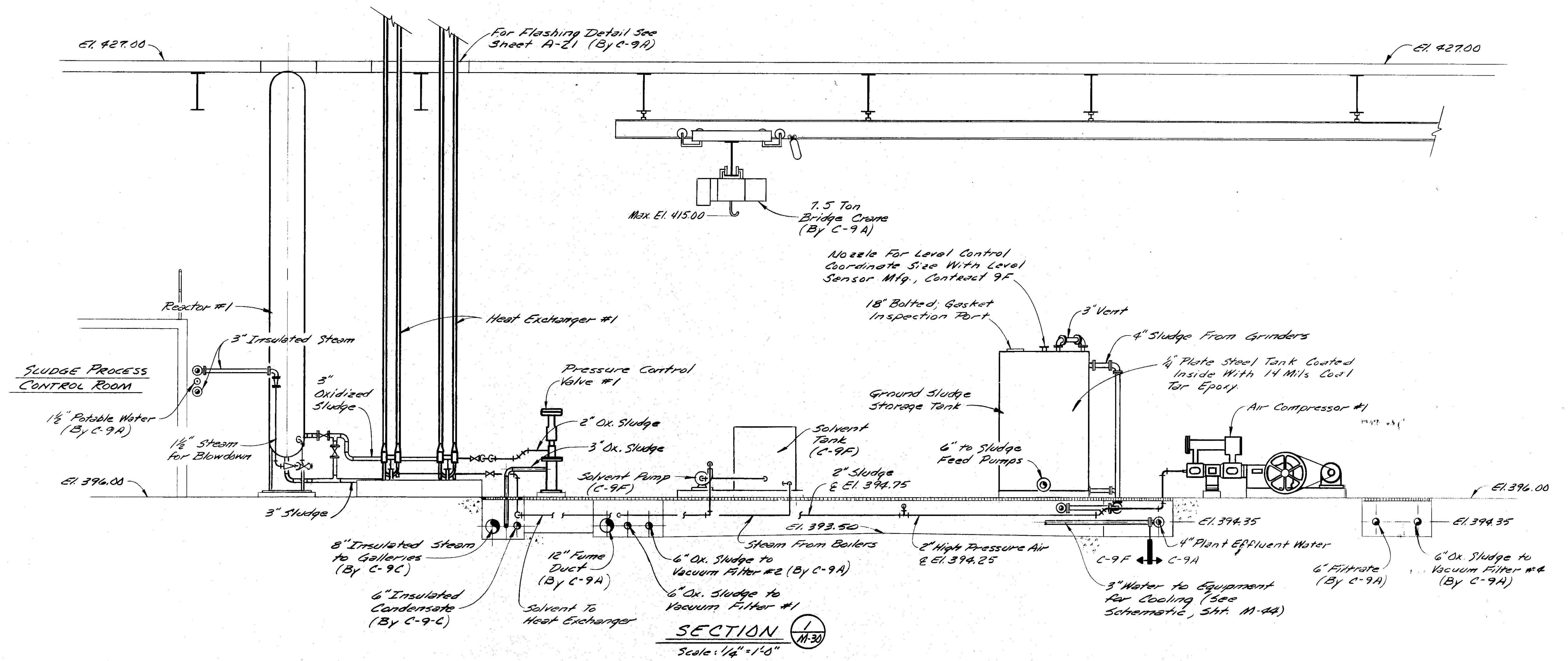
NO.	DATE	REVISION	INIT.
11/7/78		General Revisions	
5/16/79		Added 1" Backflow Preventer	
5/17/79		General Revision	

O'BRIEN & GERE ENGINEERS, INC.
Syracuse, New York

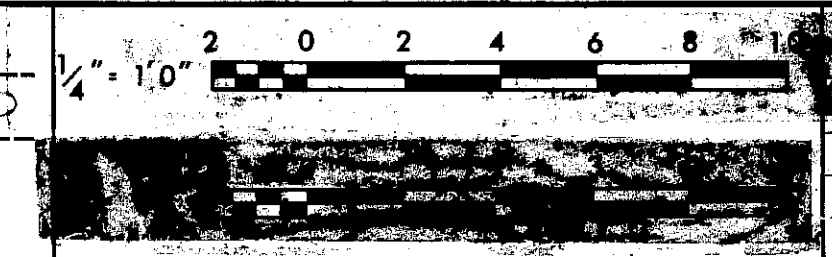
CLAY SANITARY DISTRICT
OAK ORCHARD SERVICE AREA
OAK ORCHARD WATER POLLUTION CONTROL PLANT

MECHANICAL
SLUDGE PROCESS AREA
PLAN

FILE NO. 115.219-043F
DATE JULY 1, 1975
M-30



In charge of WSP
 Designed by GRM Checked by WSP
 Made by MJR



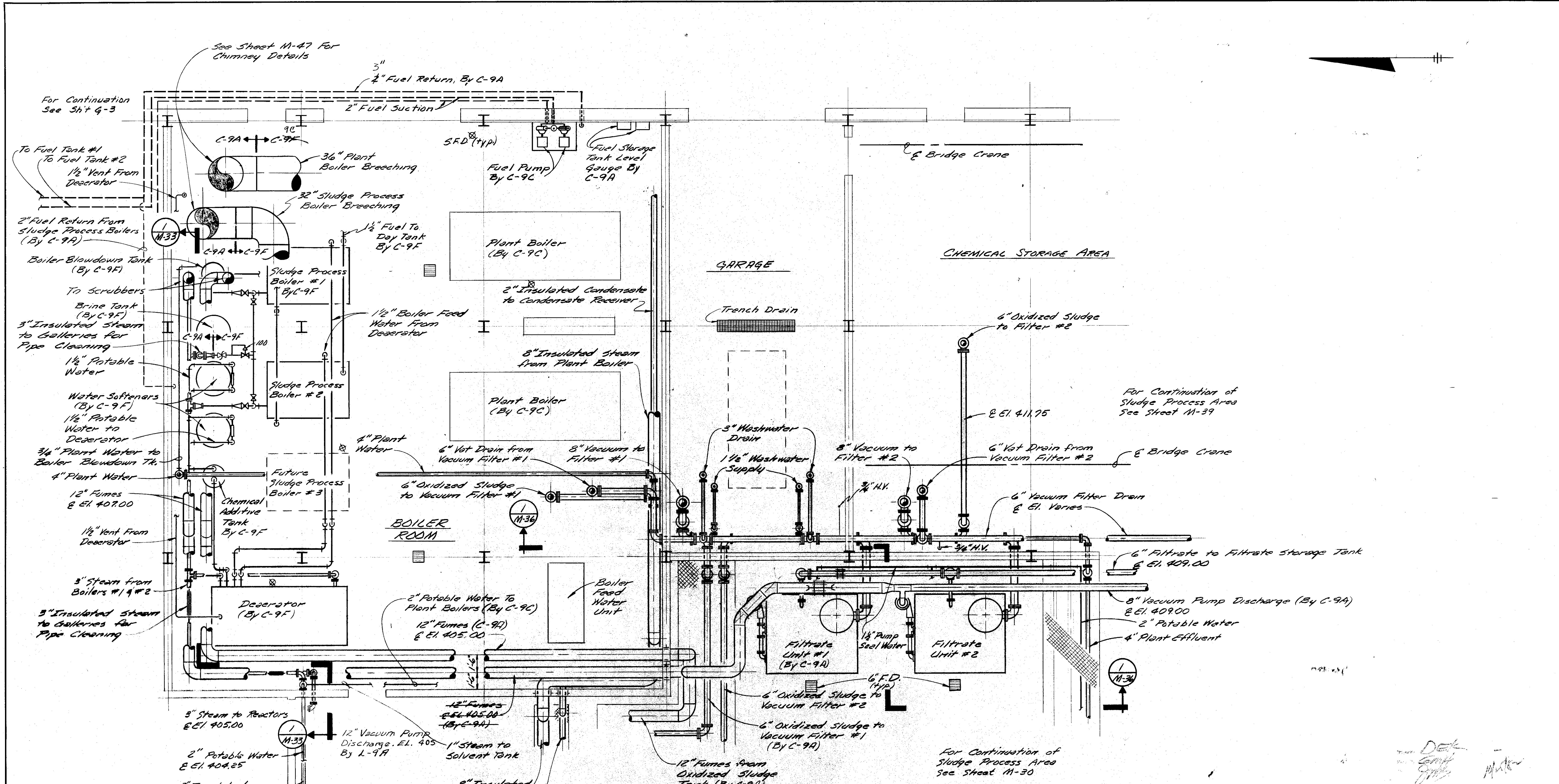
O'BRIEN & GERE
 ENGINEERS, INC.
 Syracuse, New York

CLAY SANITARY DISTRICT
 OAK ORCHARD SERVICE AREA
 OAK ORCHARD WATER POLLUTION CONTROL PLANT

MECHANICAL
 SLUDGE PROCESS AREA
 SECTIONS

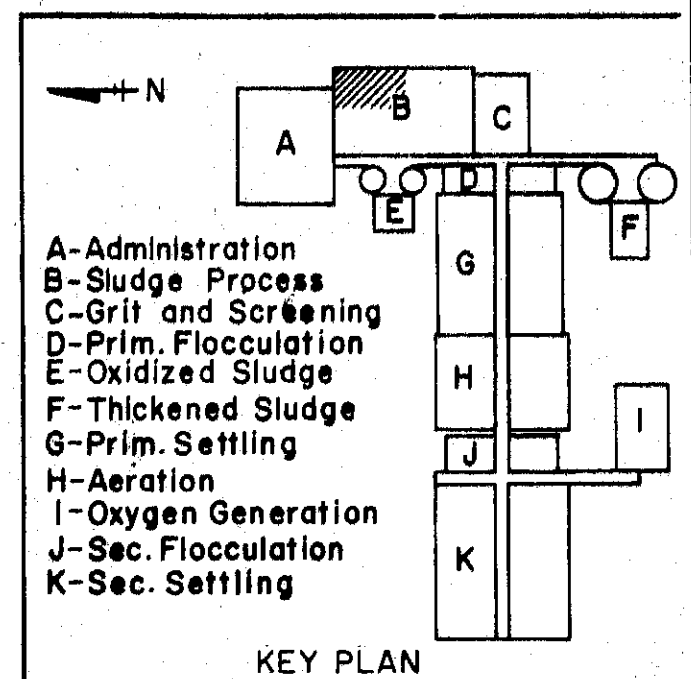
FILE NO.
 115.219-044F
 DATE
 JULY 1, 1975

M-31



BOILER ROOM PLAN
Scale: 1/4" = 1'-0"

- Notes:**
- See Sheets E-7, 9, 14, 18 & 19 for Electrical Work Required By C-9F.
 - See SHt. M-44 for Potable Water & Plant Effluent Schematic.
 - 3'-6" x 3'-6" Ventilation Duct Over 6" Filtrate & 6" Fume Removed for Clarity.
 - All Vacuum Equipment & Associated Piping By C-9A.
 - All Sludge Process Boiler, Associated Piping & Equipment By C-9F.
 - All Plant Boilers Fuel Pump, Day Tanks, Equipment & Associated Piping By C-9C.



DESIGNED BY
Checked by
Made by

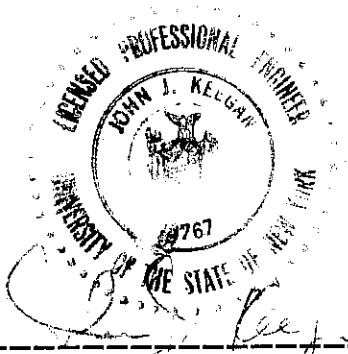
In charge of	NO.	DATE	REVISION	INIT.
Designed by GRM				
Checked by WJP				
Made by MJD				

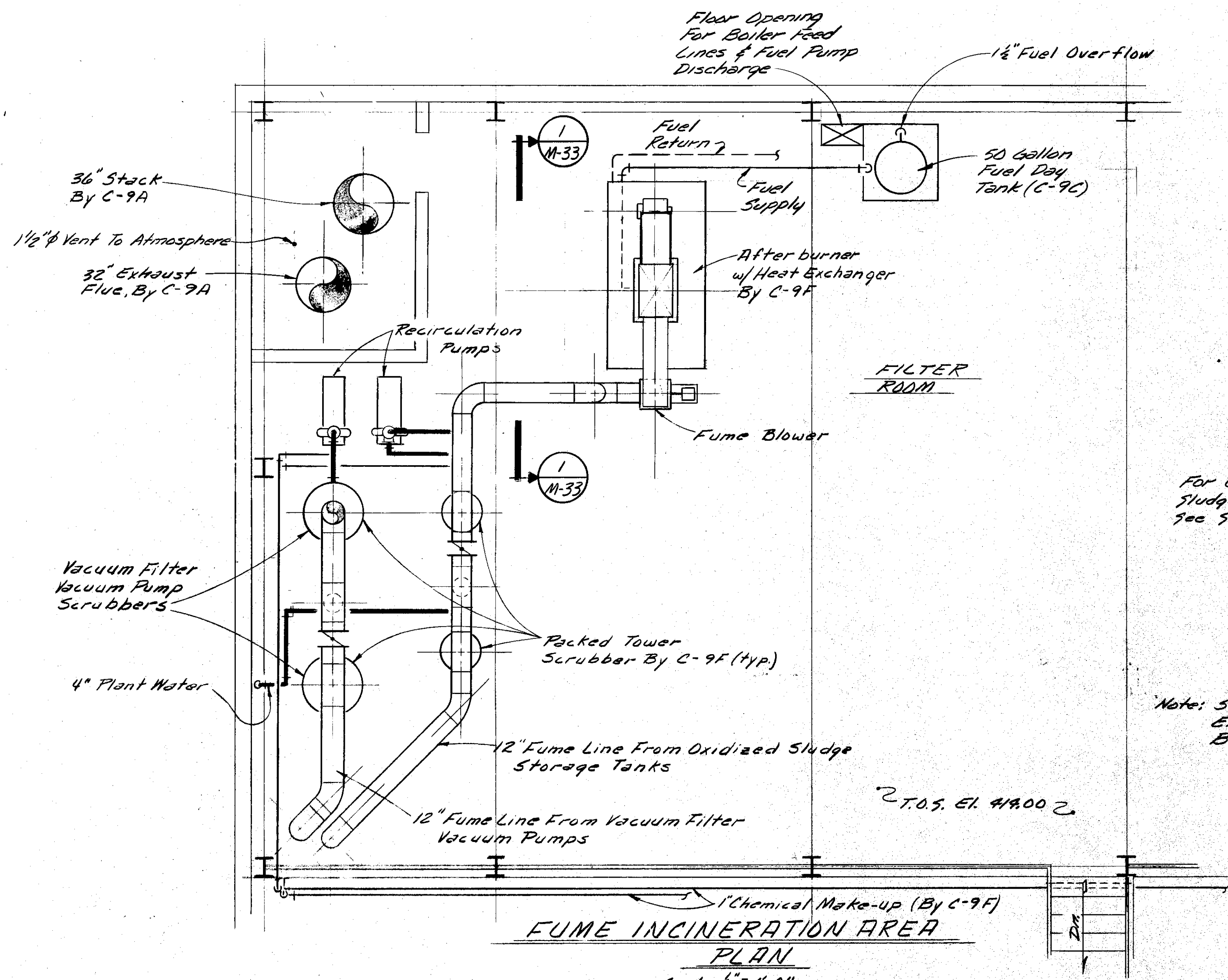
O'BRIEN & GORE
ENGINEERS, INC.
Syracuse, New York

CLAY SANITARY DISTRICT
OAK ORCHARD SERVICE AREA
OAK ORCHARD WATER POLLUTION CONTROL PLANT

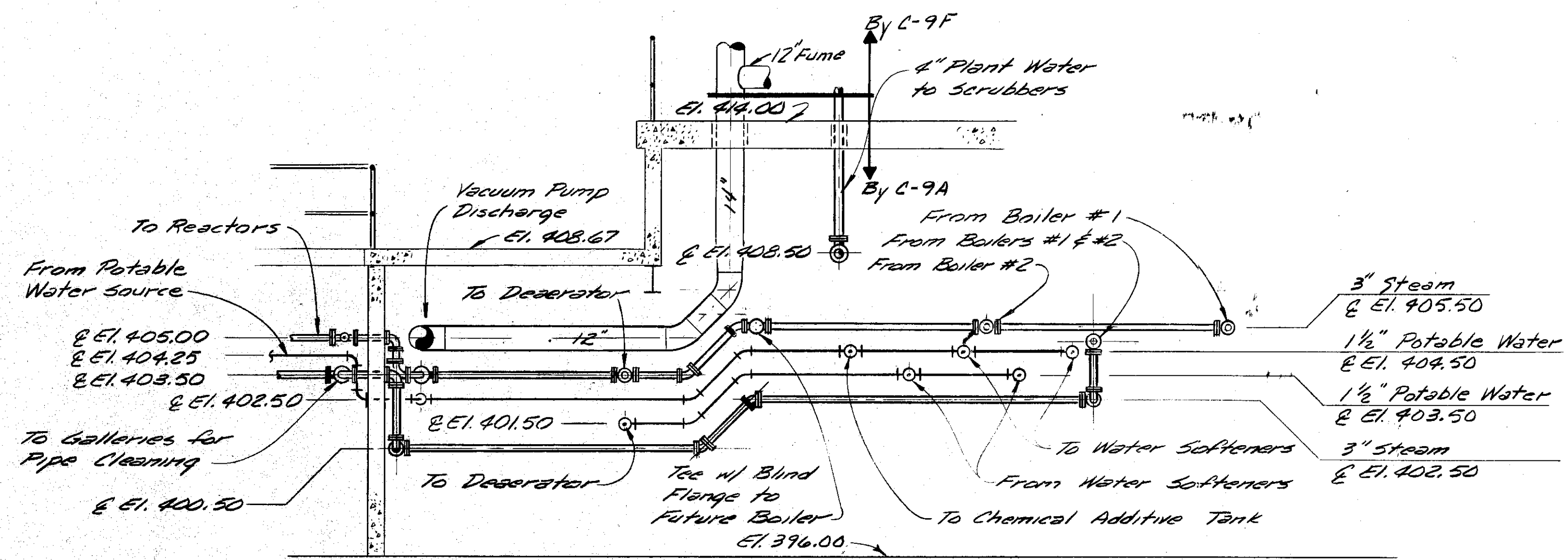
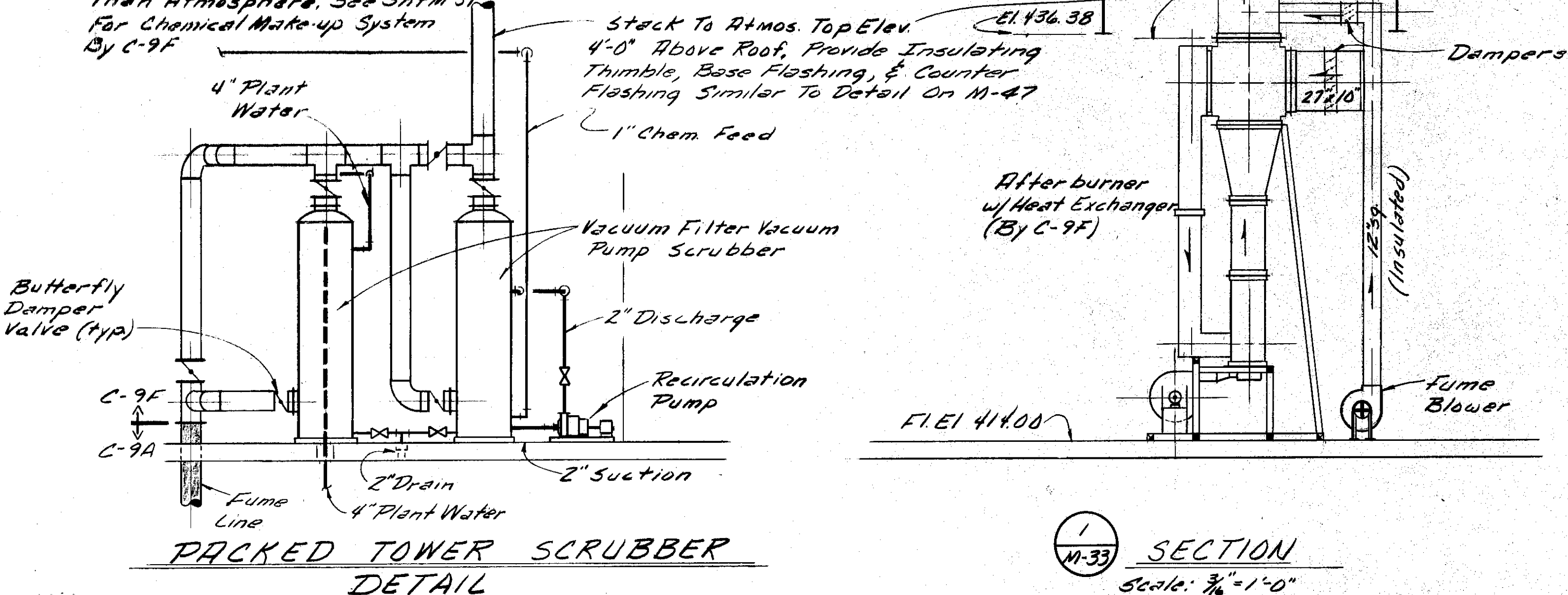
MECHANICAL
BOILER ROOM
PLAN & SECTIONS

FILE NO.
115.219-045F
DATE
JULY 1, 1975
M-32



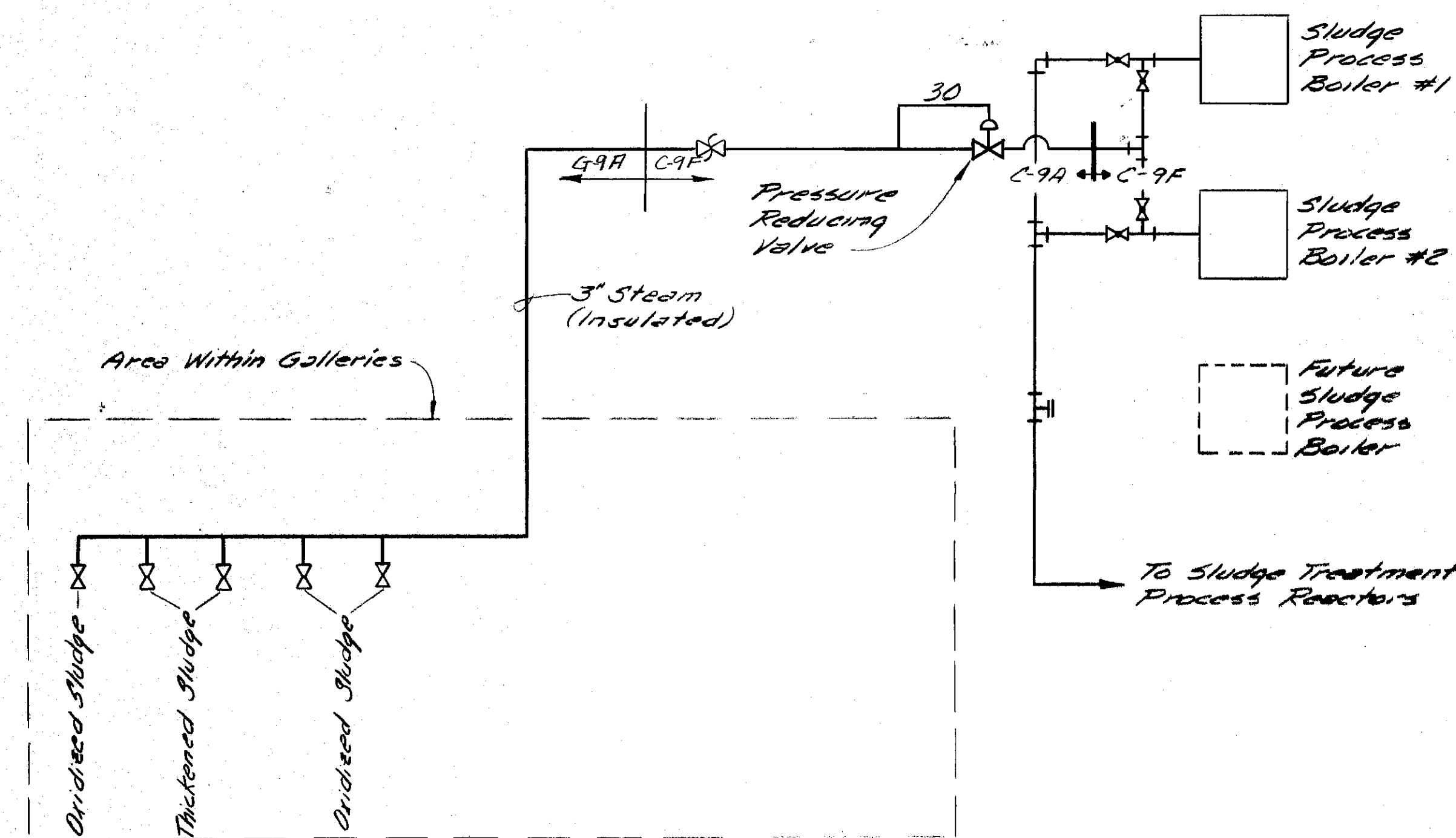


Note: Piping Configuration For Oxidized Sludge Storage Tank Scrubber System Similar To That Shown Except Scrubber Discharges To After-Burner Inlet Fan Rather Than Atmosphere. See Sheet M-37 For Chemical Make-up System By C-9F



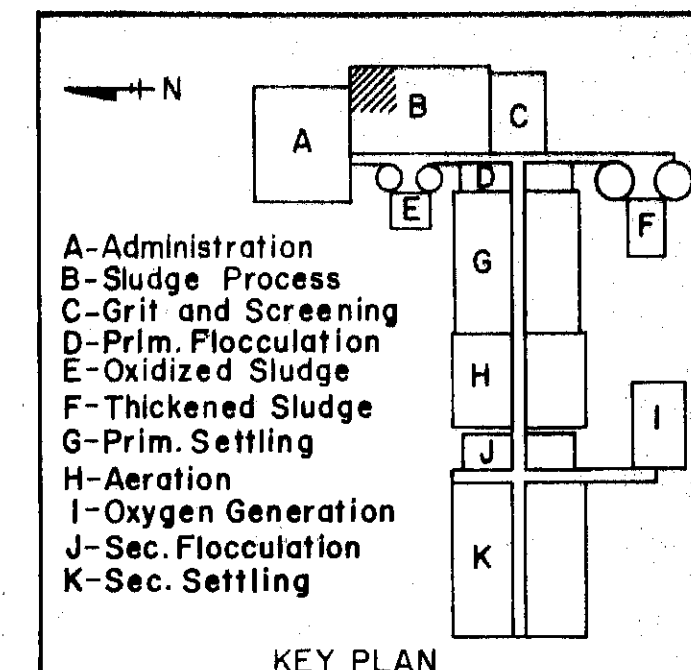
For Continuation of Sludge Process Area see Sheet M-35

Note: See Sheet E-7, 9, 14, 18 & 19 For Electrical Work Required By C-9F.



SECTION 1/M-32 Scale: 3/16"=1'-0"

STEAM SCHEMATIC No Scale



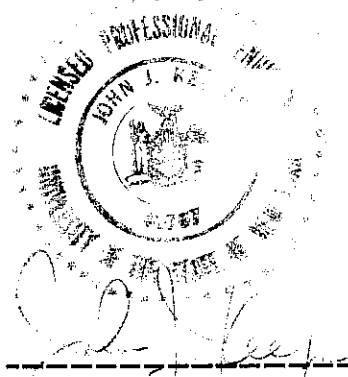
In charge of <u>WSP</u>	Scale: 3/16"=1'-0"	NO. DATE	REVISION	INIT.
Designed by <u>GRM</u> Checked by <u>WSP</u>	Scale: 1/4"=1'-0"	1/19/70	General Revisions	
Made by <u>MJD</u>		5/4/77	General Revisions	

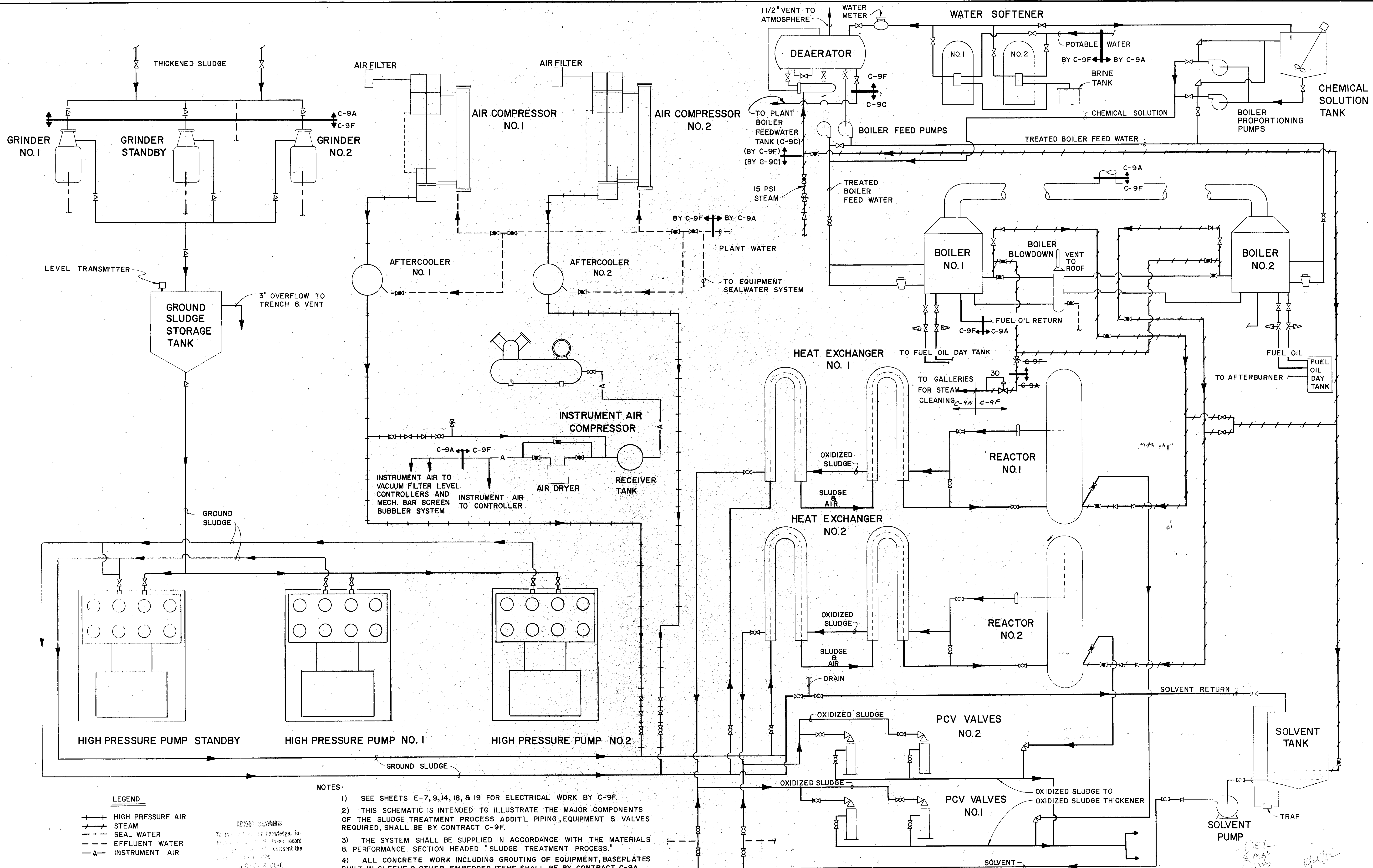
O'BRIEN & GERE ENGINEERS, INC.
Syracuse, New York

CLAY SANITARY DISTRICT
OAK ORCHARD SERVICE AREA
OAK ORCHARD WATER POLLUTION CONTROL PLANT

MECHANICAL
FUME INCINERATION AREA
PLAN & SECTIONS

FILE NO. 115.219-046F
DATE JULY 1, 1975
M-33





LEGEND

- HIGH PRESSURE AIR
- STEAM
- SEAL WATER
- EFFLUENT WATER
- A- INSTRUMENT AIR

NOTES:

- 1) SEE SHEETS E-7, 9, 14, 18, & 19 FOR ELECTRICAL WORK BY C-9F.
- 2) THIS SCHEMATIC IS INTENDED TO ILLUSTRATE THE MAJOR COMPONENTS OF THE SLUDGE TREATMENT PROCESS. ADDITIONAL PIPING, EQUIPMENT & VALVES REQUIRED, SHALL BE BY CONTRACT C-9F.
- 3) THE SYSTEM SHALL BE SUPPLIED IN ACCORDANCE WITH THE MATERIALS & PERFORMANCE SECTION HEADED "SLUDGE TREATMENT PROCESS."
- 4) ALL CONCRETE WORK INCLUDING GROUTING OF EQUIPMENT, BASEPLATES BUILT IN SLEEVE & OTHER EMBEDDED ITEMS SHALL BE BY CONTRACT C-9A.
- 5) ALL FLOOR DRAINS & EQUIPMENT DRAINS SHALL BE BY CONTRACT C-9D.
- 6) SEE SHT. M-37 FOR ODOR CONTROL SYSTEM SCHEMATIC.

7. All Anchor Bolts For All Sludge Treatment Process Equipment Shall Be Furnished By C-9F And Installed By C-9A.

In charge of _____
 Designed by GEM Checked by SJP
 Made by RCC

NO SCALE

NO.	DATE	REVISION	INIT.
1/10/76		General Revisions	JML
3/11/77		General Revisions	JML

O'BRIEN & GERE ENGINEERS, INC.
 Syracuse, New York

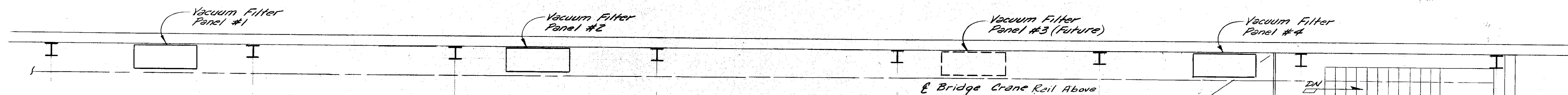
CLAY SANITARY DISTRICT
OAK ORCHARD SERVICE AREA
OAK ORCHARD WATER POLLUTION CONTROL PLANT

MECHANICAL
SLUDGE PROCESS
SCHEMATICS

FILE NO.
 115.219-047F
 DATE
 JULY 1, 1975

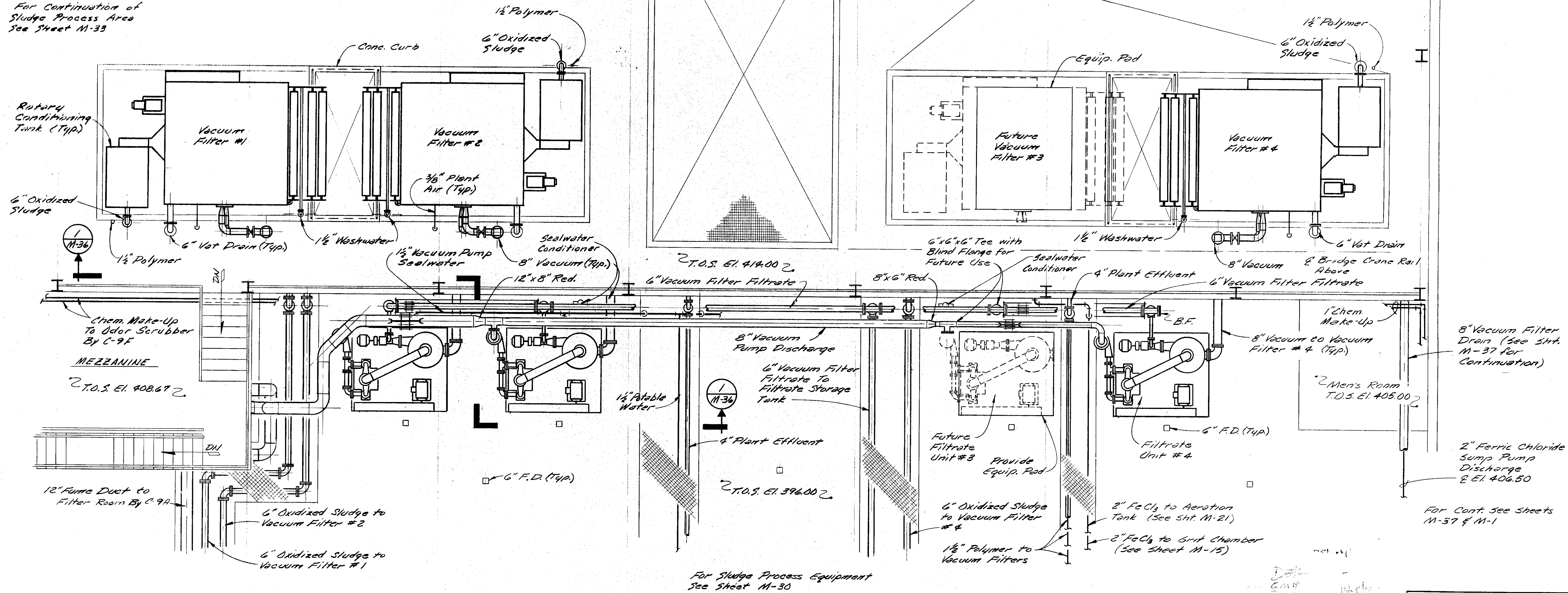
M-34

AB



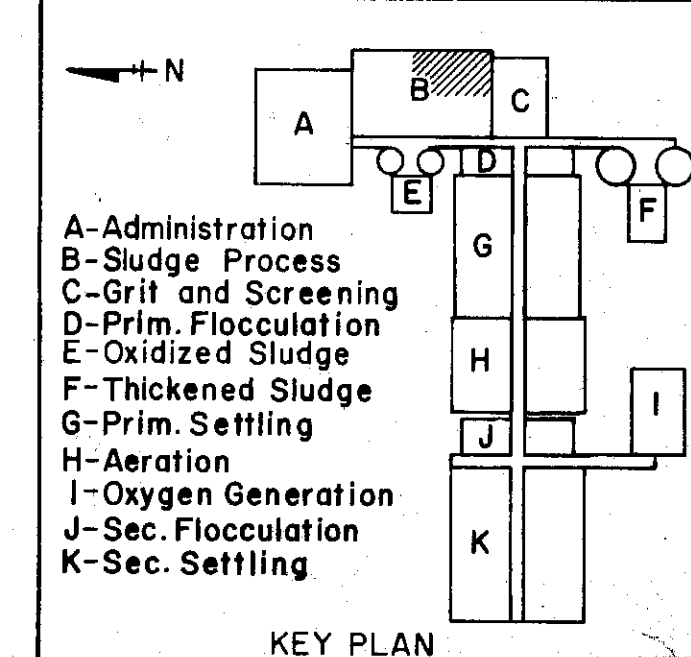
Note: For Piping Under Filter Room See Sheets M-32, M-36, & M-39

For Continuation of Sludge Process Area See Sheet M-33

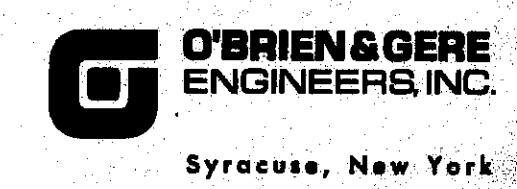


SLUDGE DEWATERING PLAN
Scale: 1/4" = 1'-0"

- Note:
- 3'-6" x 3'-6" Ventilation Duct Over 6" Filtrate & 6" Fume Removed For Clarity.
 - All Equipment & Piping On This Drawg By C-9A, Unless Otherwise Noted
 - For Detail Of Vacuum Filter Piping See Schematic, Sht M-36.



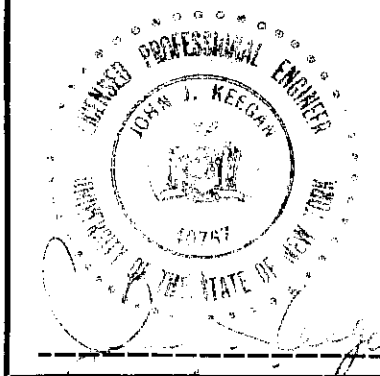
In charge of	WSP	NO.	DATE	REVISION	INIT.
Designed by	GM	1/19/76		General Revisions	
Checked by	WSP	5/1/77		General Revisions	
Made by	WJD	8-76		Removed 4" Oxidized Sludge Bl. Piping	



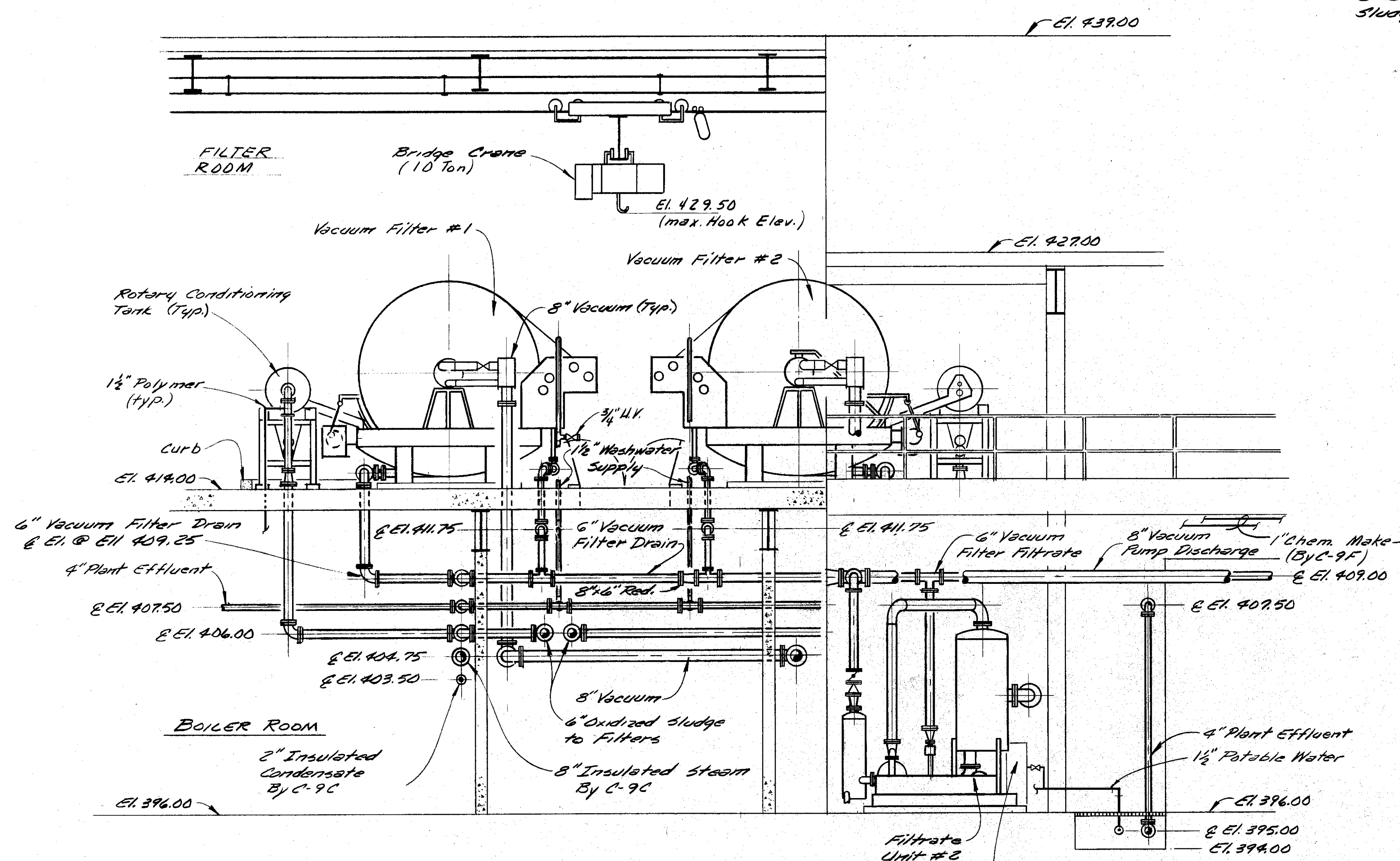
CLAY SANITARY DISTRICT
OAK ORCHARD SERVICE AREA
OAK ORCHARD WATER POLLUTION CONTROL PLANT

MECHANICAL
SLUDGE DEWATERING
PLAN

FILE NO.
115.219-048F
DATE
JULY 1, 1975
M-35

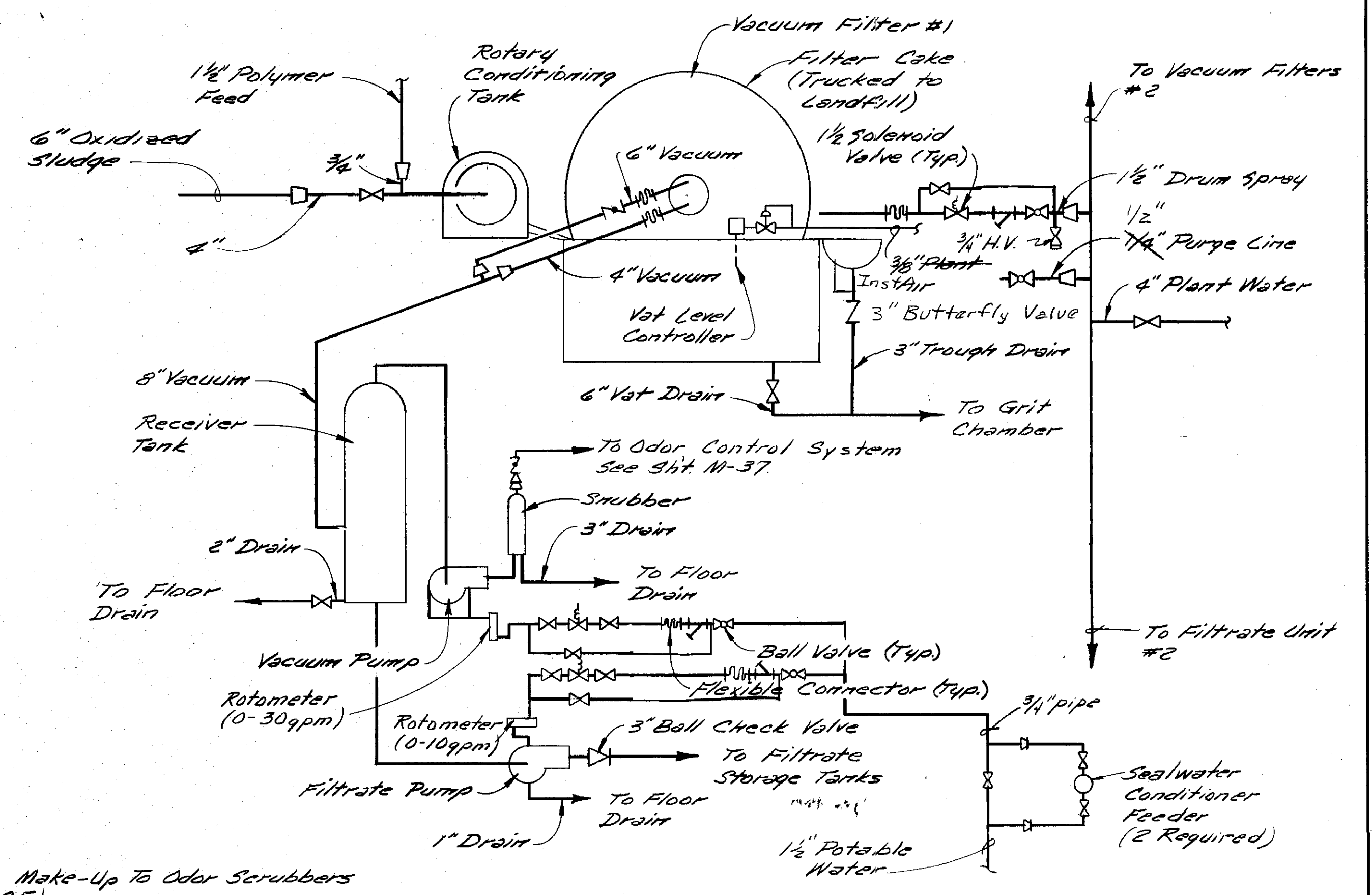


Blidlow

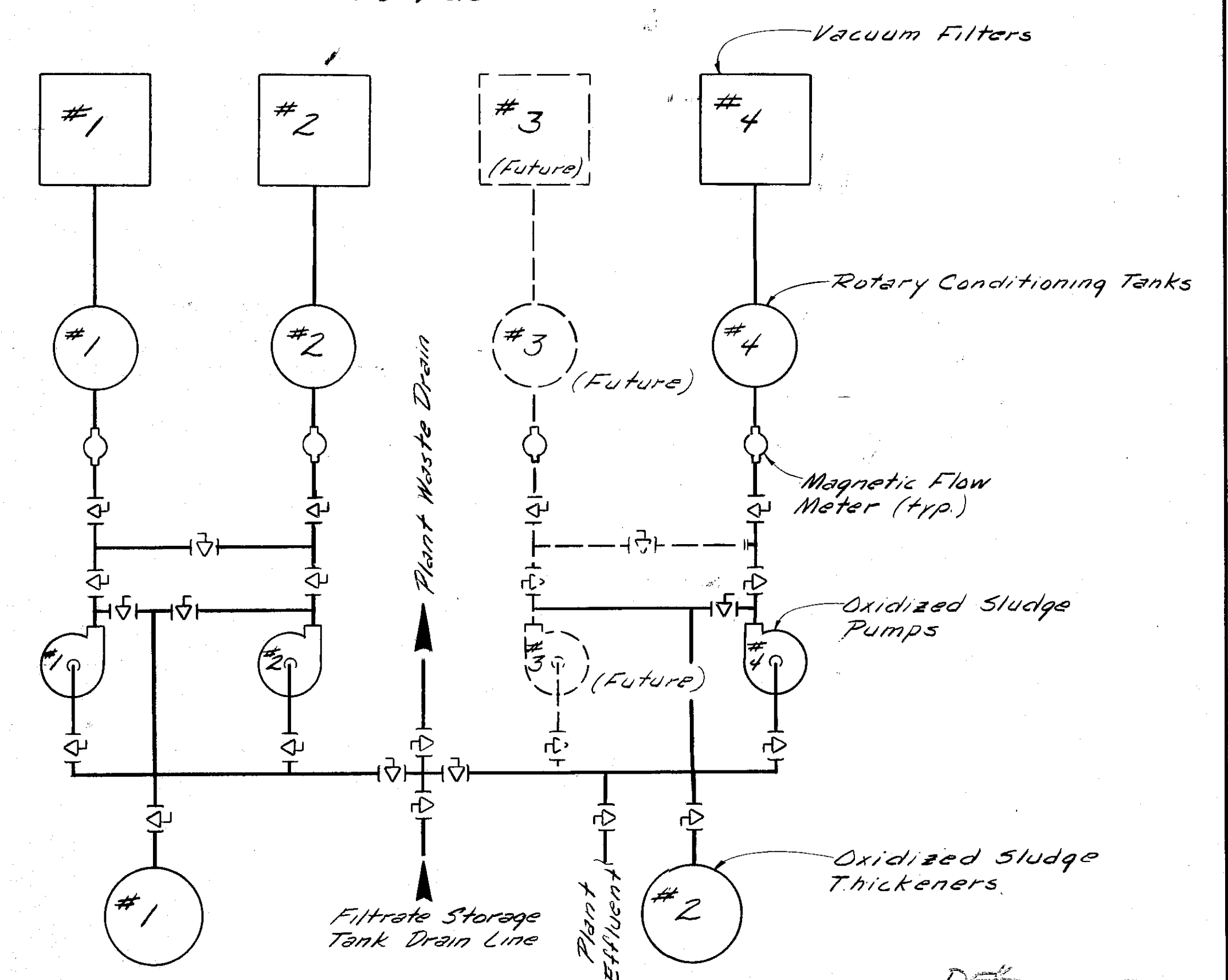


Note: 6" & 8" Vacuum Filter Drain to slope at .01 from Vacuum Filter #1 to Grit Chamber Effluent Channel.

SECTION 1/11-32 1/11-35
Scale: 1/4" = 1'-0"



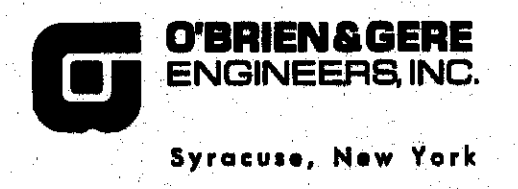
SLUDGE DEWATERING SCHEMATIC
No Scale



VACUUM FILTER FEED PIPE SCHEMATIC
No Scale

DESIGNER'S NOTE:
It is the responsibility of the designer to check the accuracy of the data furnished by the client and to verify the same against the actual conditions of the site.
O'BRIEN & GERE
B.L. Ladd

In charge of <i>WSP</i>	NO.	DATE	REVISION	INIT.
Designed by <i>GRM</i> Checked by <i>WSP</i>				
Made by <i>MLP</i>				
	11/9/76		General Revisions	
	5/4/77		General Revisions	
	8-76		CHANGED ROTARY COND. TANK	



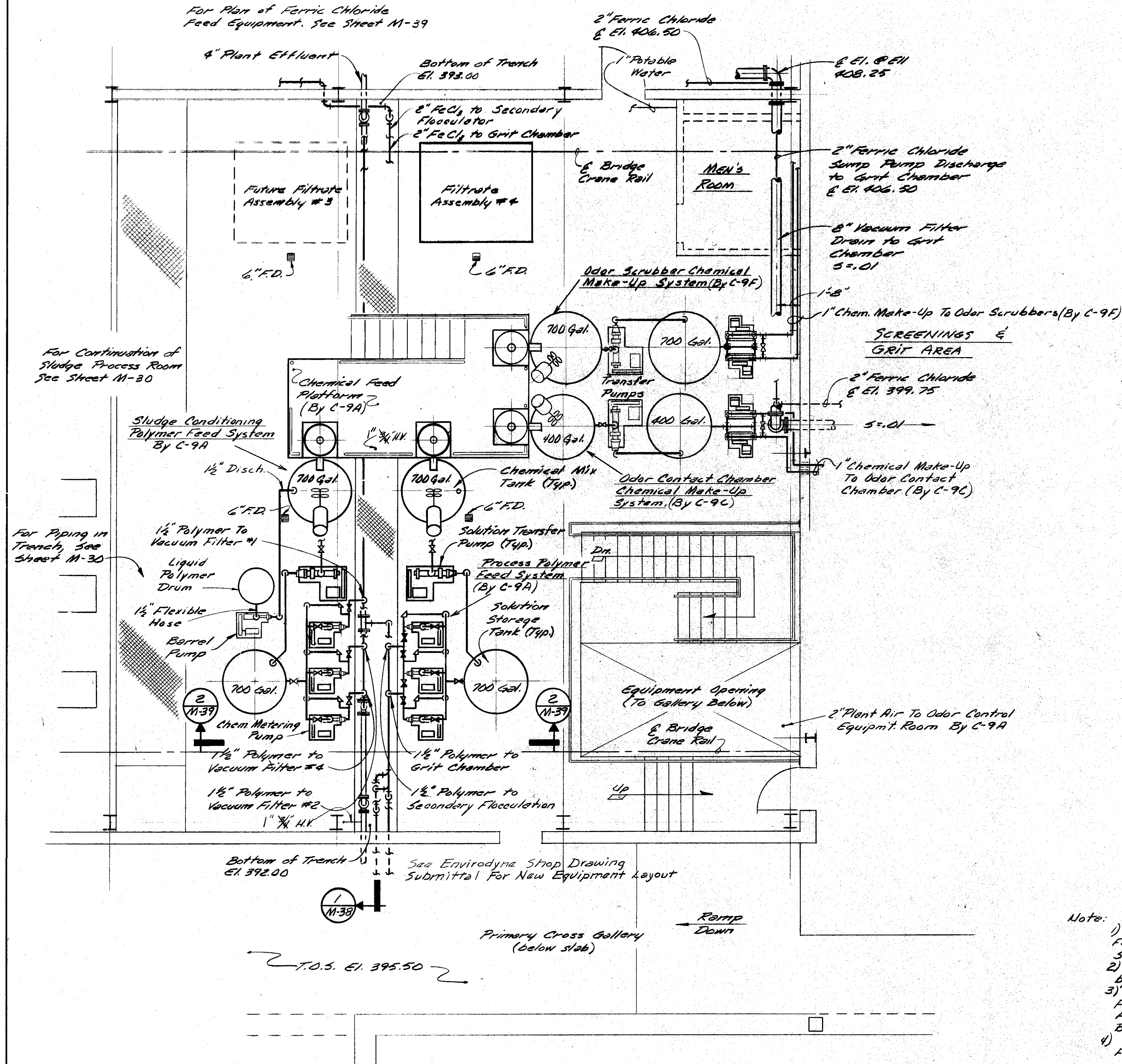
CLAY SANITARY DISTRICT
OAK ORCHARD SERVICE AREA
OAK ORCHARD WATER POLLUTION CONTROL PLANT

MECHANICAL
SLUDGE DEWATERING
SECTION

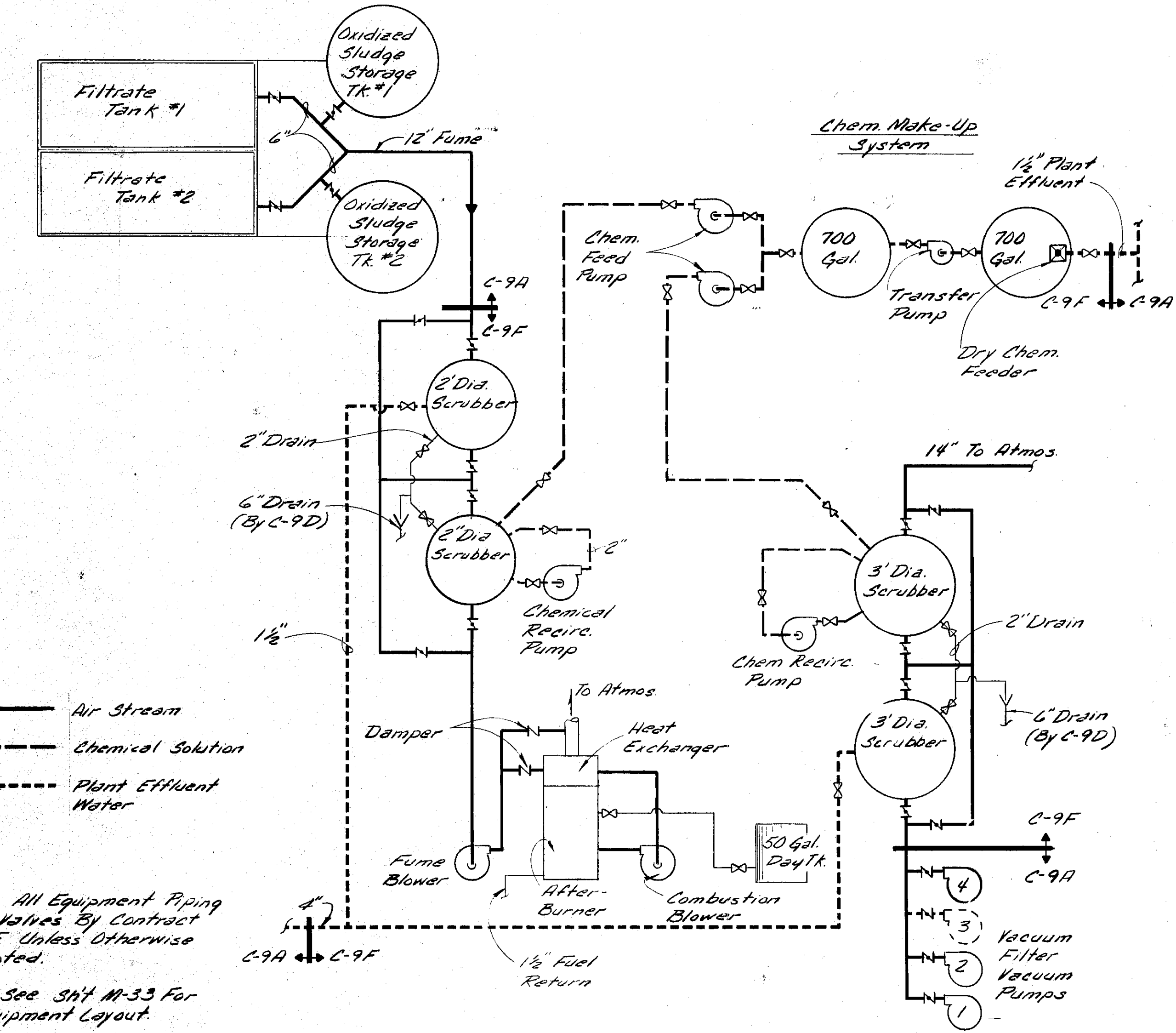
FILE NO.
115.219-049F
DATE
JULY 1, 1975

M-36

For Plan of Ferric Chloride Feed Equipment. See Sheet M-39

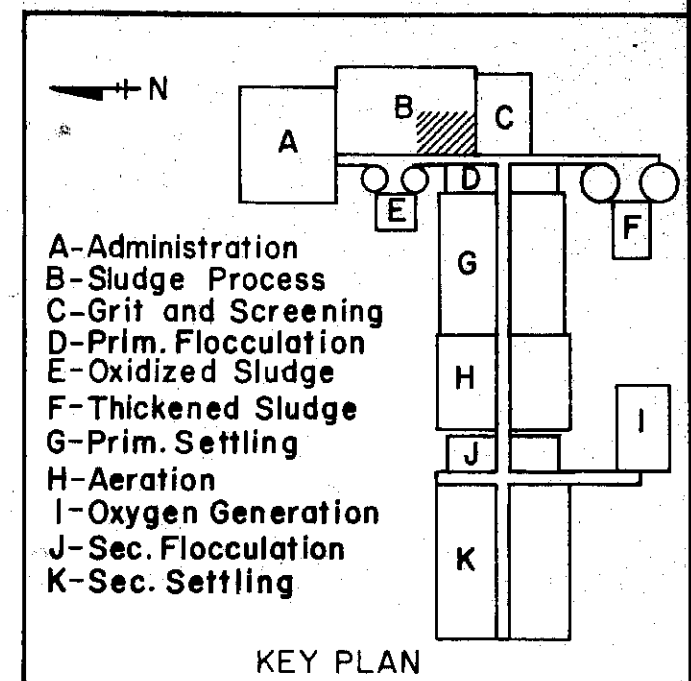


POLYMER FEED PLAN
Scale: 1/4" = 1'-0"



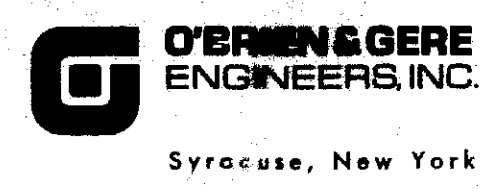
**SLUDGE TREATMENT PROCESS
ODOR CONTROL SYSTEM
SCHEMATIC**

- Note:
- 1) For Process & Sludge Condition Polymer Feed Systems, by Contract 9A, See Schematic Sheet M-42.
 - 2) For Details Of Chemical Feed Platform, by Contract 9A, See Details On Sheet S-49.
 - 3) Concrete Pads & Baseplate Grouting For Chemical Transfer Feed Pumps For All Four Chemical Feed System Shown Shall Be By Contract 9A.
 - 4) See Sht E-18 For Chemical Make-Up, Polymer Feed System & Pump Speed Control Panel Location.



In charge of	DESIGNED BY	CHECKED BY	MADE BY

NO.	DATE	REVISION	INIT.
1	1/1/75	General Revisions	
2	1/1/75	General Revisions	



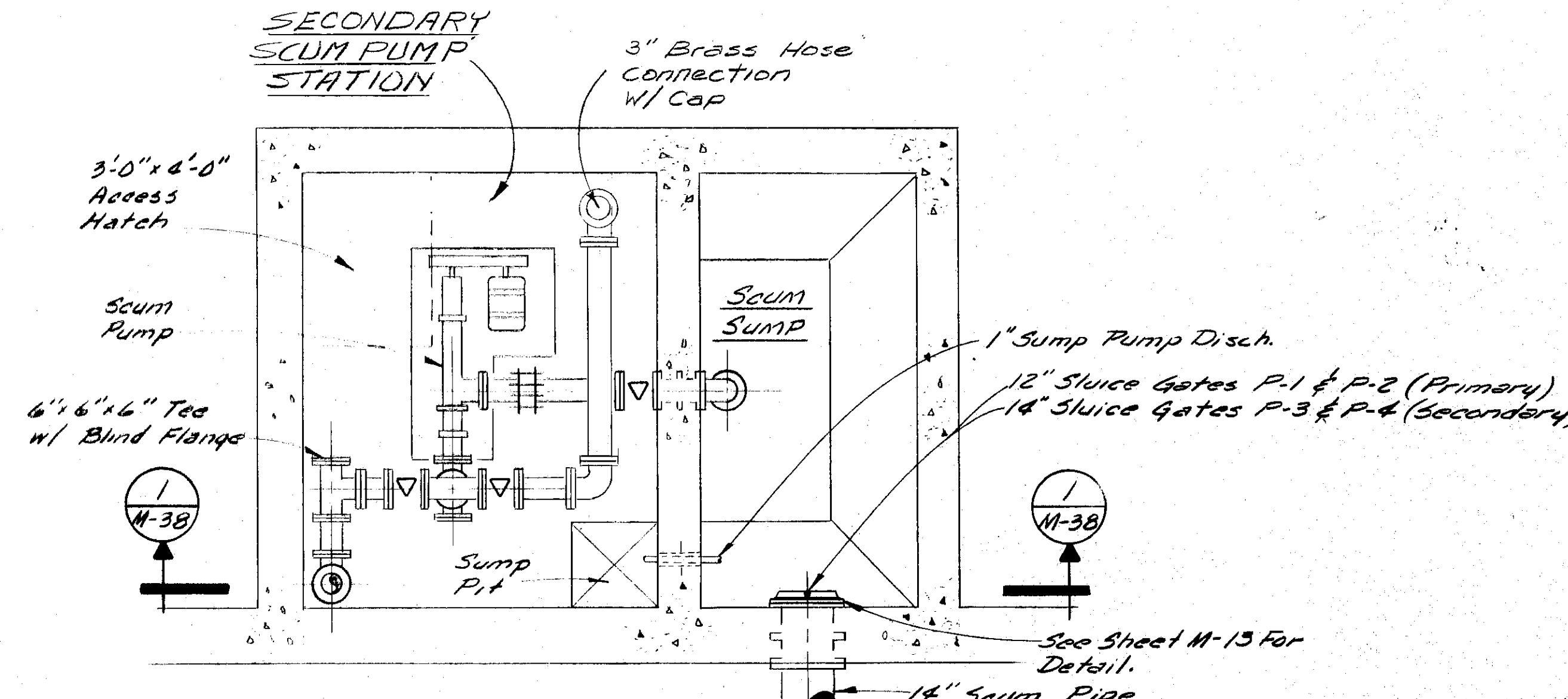
CLAY SANITARY DISTRICT
OAK ORCHARD SERVICE AREA
OAK ORCHARD WATER POLLUTION CONTROL PLANT

MECHANICAL
POLYMER FEED
PLAN

FILE NO.
115.219-050F
DATE
JULY 1, 1975
M-37

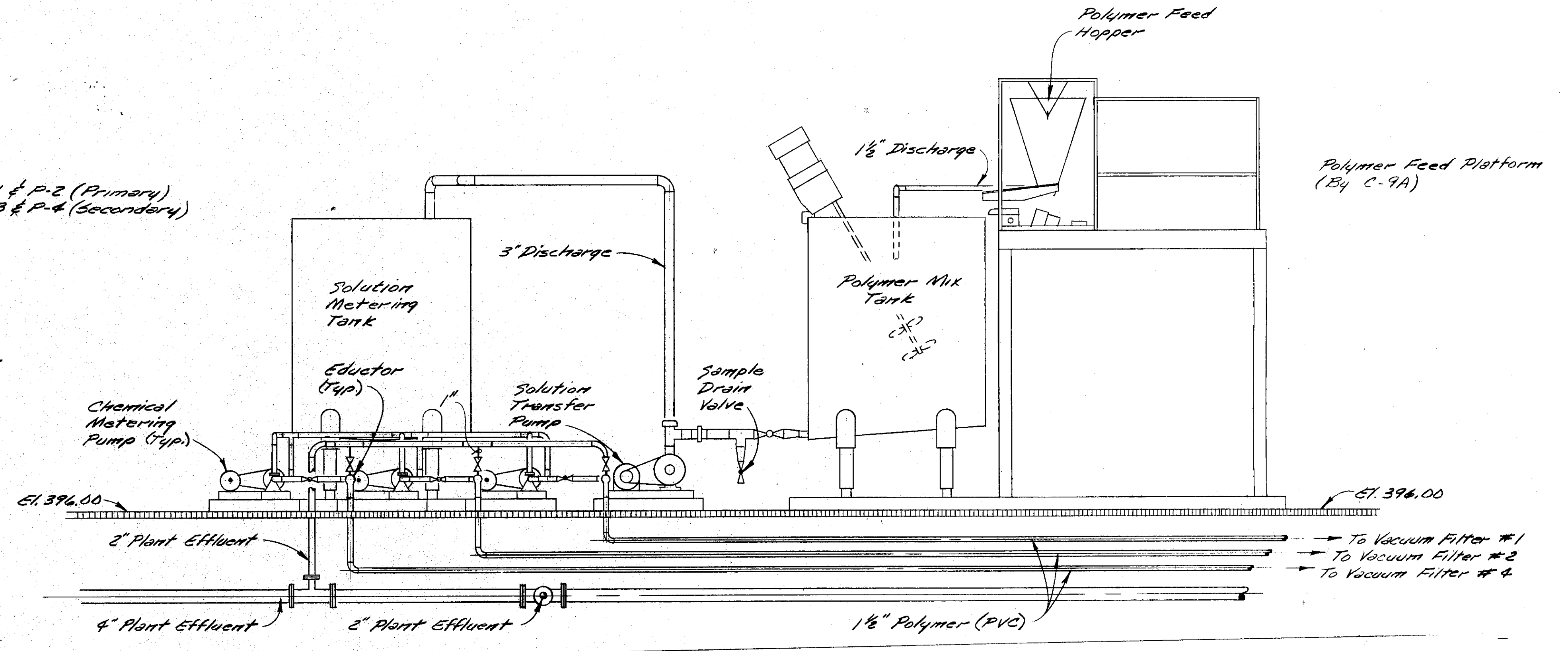


B. J. Sadowski

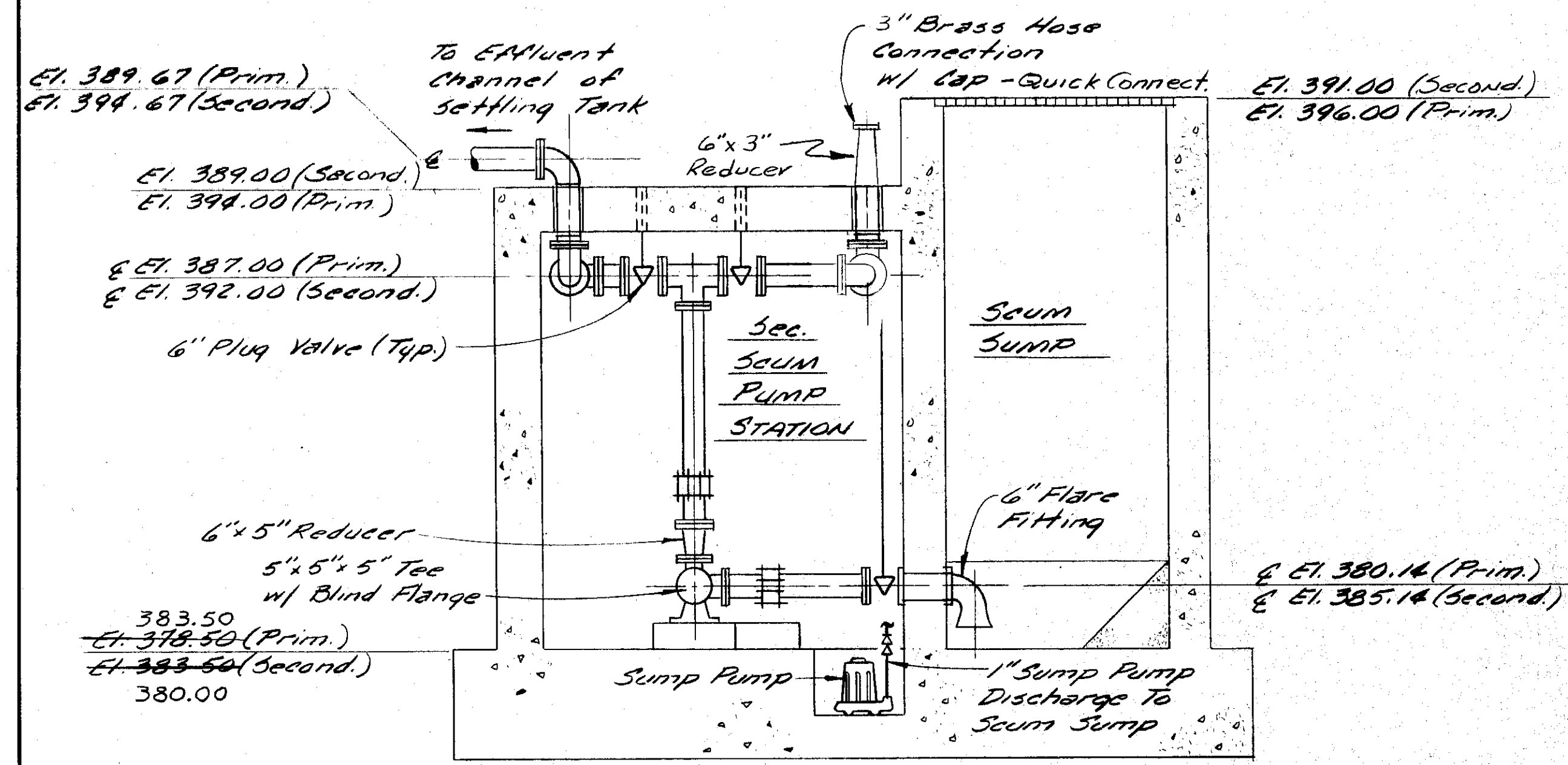


Note: Primary Scum Pump Station similar to Secondary Scum Pump Station.

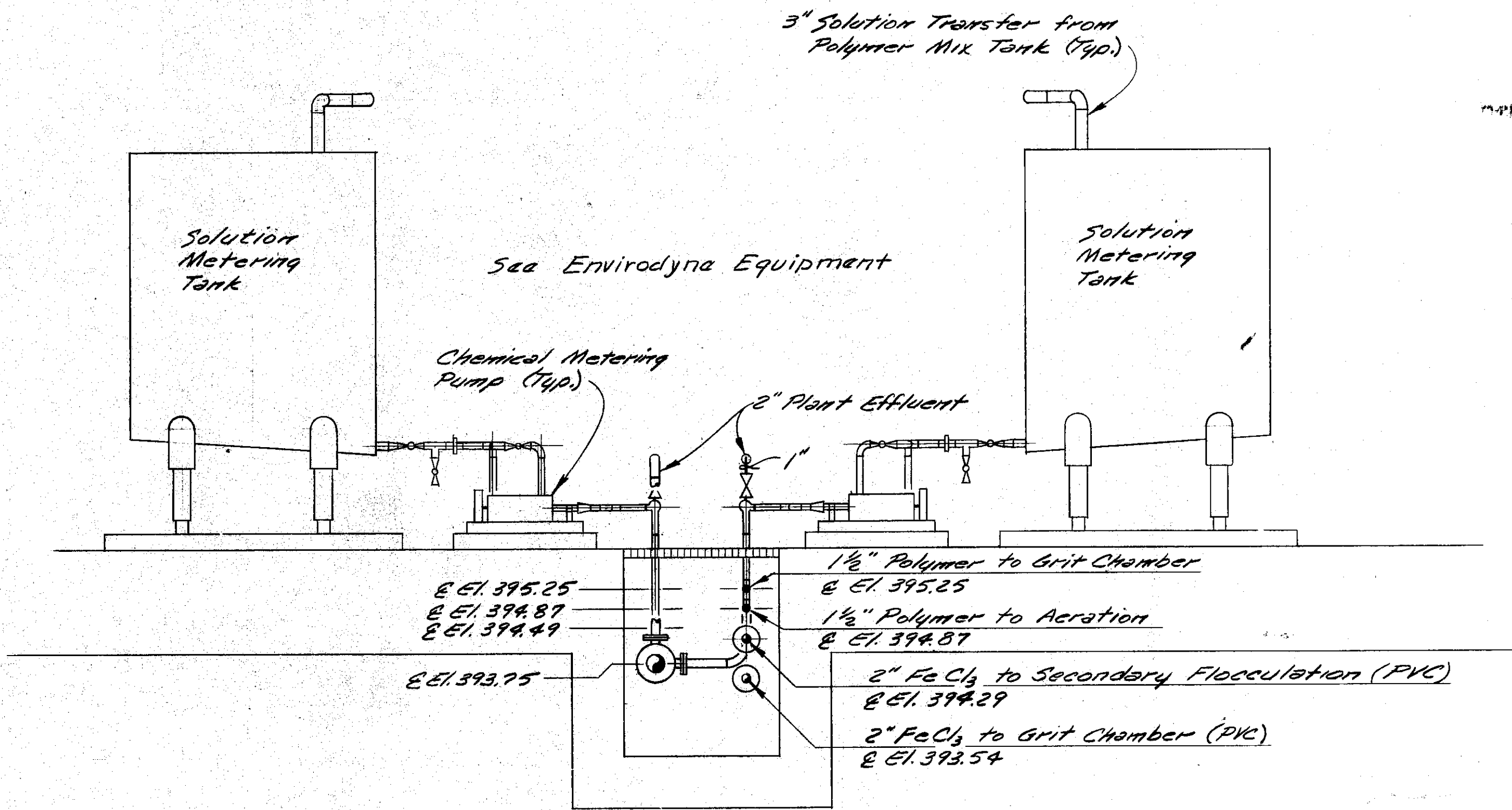
PLAN
Scale: 3/8"=1'-0"



SECTION 1
Scale: 1/2"=1'-0"



SECTION 2
Scale: 3/8"=1'-0"

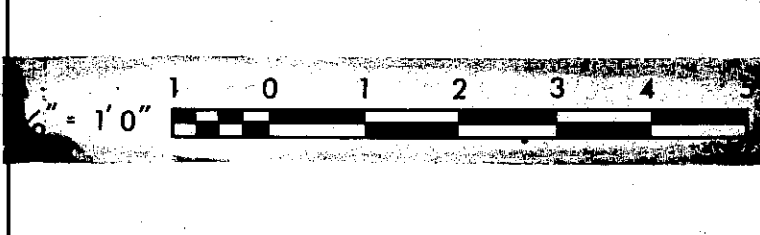


SECTION 3
Scale: 1/2"=1'-0"

For Additional Information See Sheets E-40 R, RD-24



In charge of W.S.P.
Designed by SEM Checked by W.S.P.
Made by M.D.



NO.	DATE	REVISION	INIT.
1/20/78		General Revisions	
5/4/77		General Revisions	

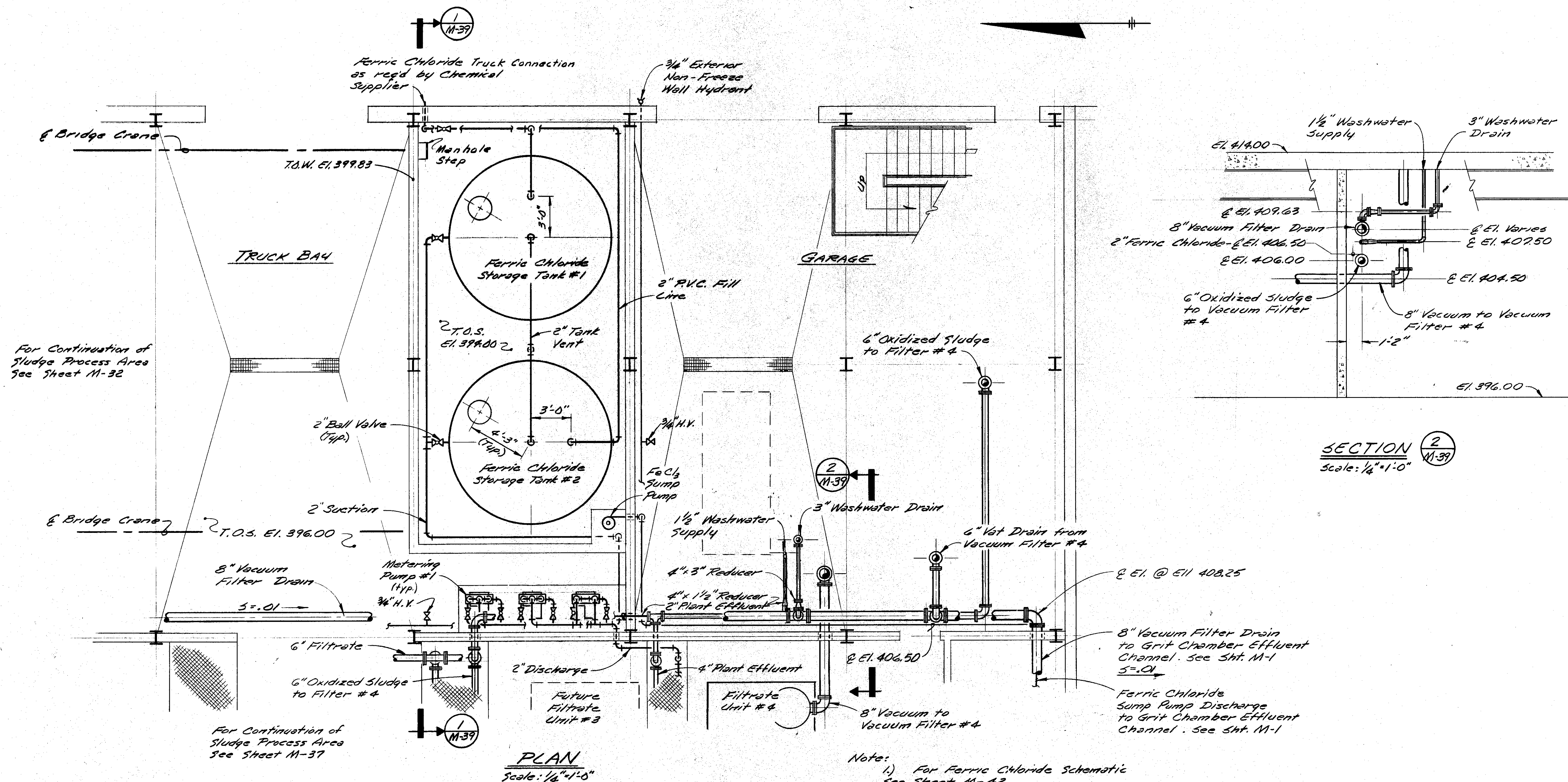
O'BRIEN & GERE
ENGINEERS, INC.
Syracuse, New York

CLAY SANITARY DISTRICT
OAK ORCHARD SERVICE AREA
OAK ORCHARD WATER POLLUTION CONTROL PLANT

MECHANICAL
POLYMER FEED & SCUM PUMP STATION
SECTIONS

FILE NO.
115.219-051F
DATE
JULY 1, 1975

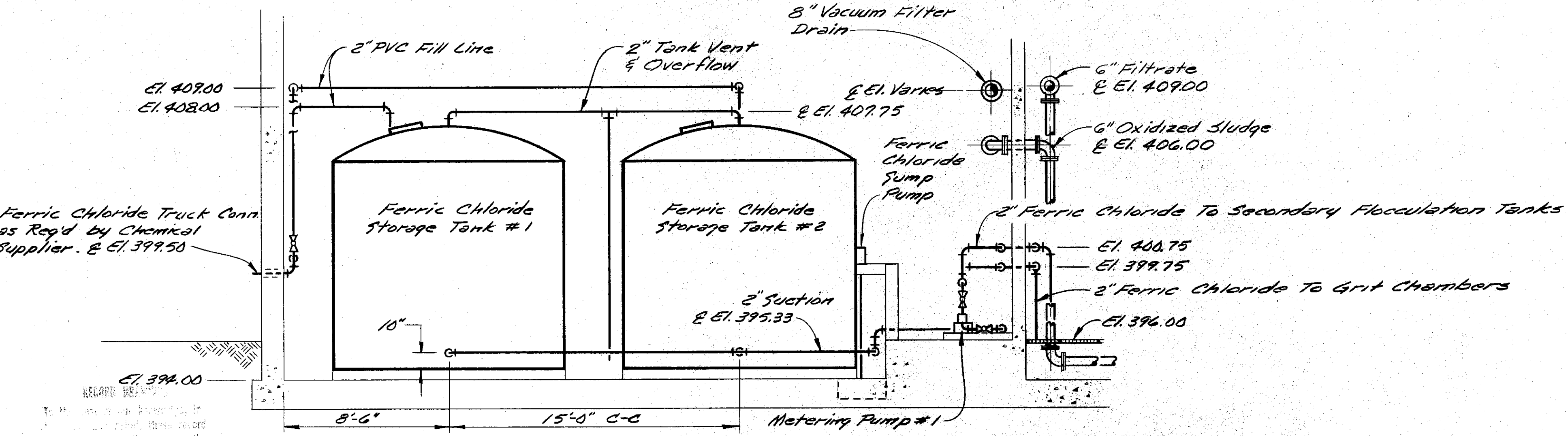
M-38



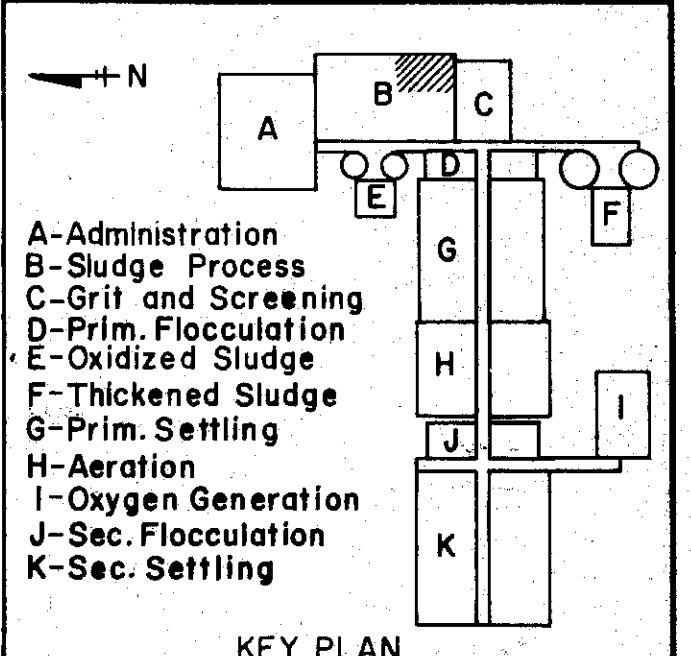
SECTION 2
Scale: 1/4"=1'-0"
M-39

PLAN
Scale: 1/4"=1'-0"

Note:
1) For Ferric Chloride Schematic
See Sheet M-42.

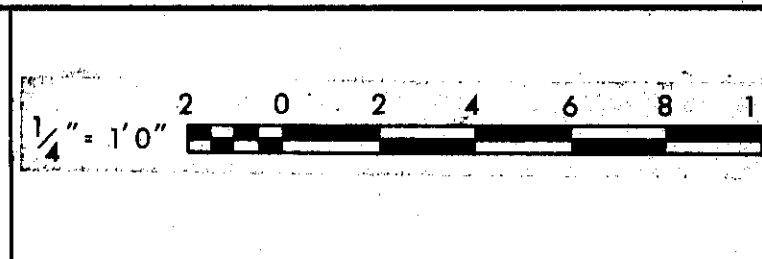


SECTION 1
Scale: 1/4"=1'-0"
M-39



KEY PLAN

In charge of *WSP*
Designed by *GRM* Checked by *WSP*
Made by *MJD*



NO.	DATE	REVISION	INIT.
2/1/78		General Revisions	JMK
4/1/77		General Revisions	JMK

O'BRIEN & GERE
ENGINEERS, INC.
Syracuse, New York

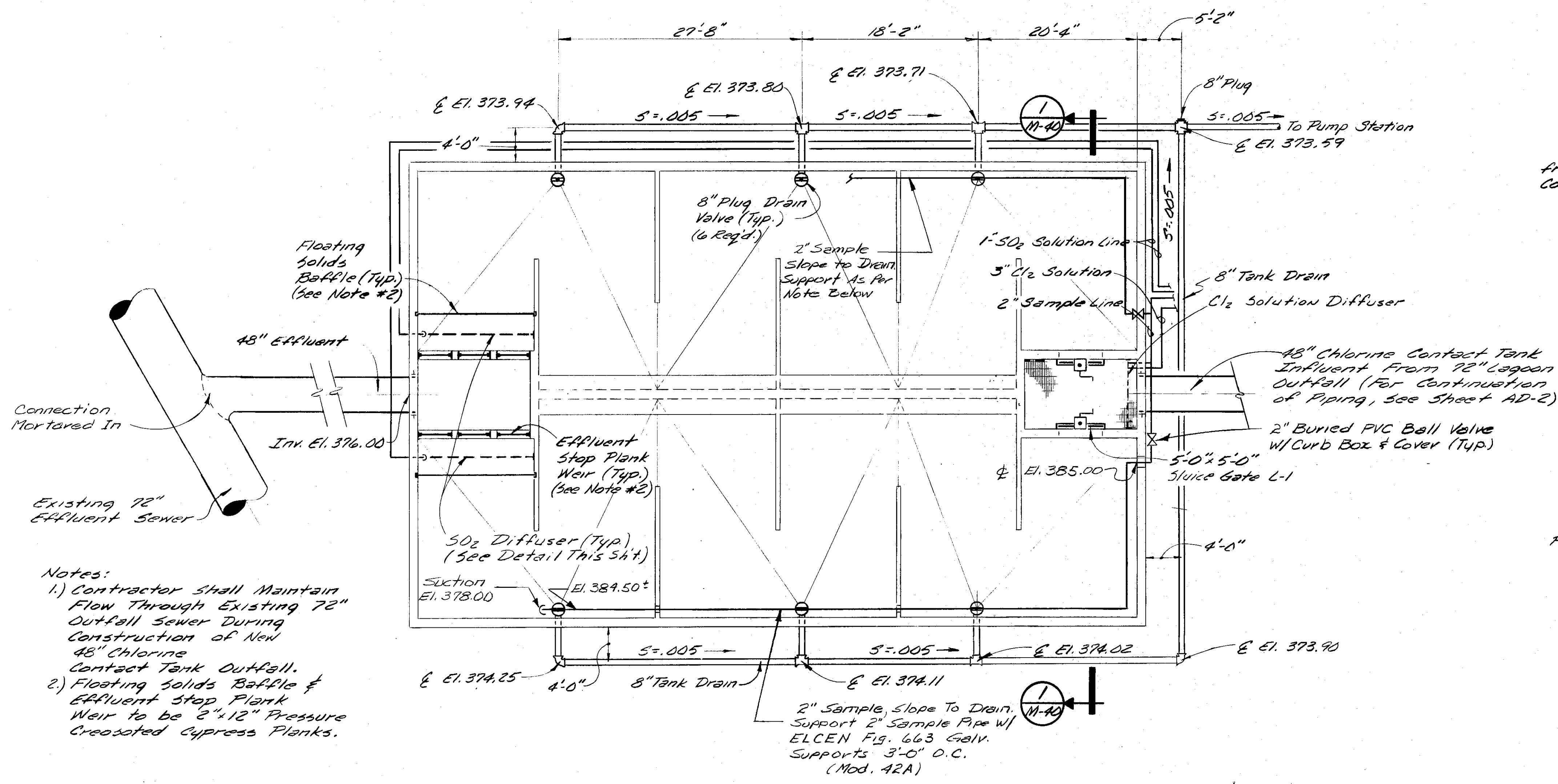
CLAY SANITARY DISTRICT
OAK ORCHARD SERVICE AREA
OAK ORCHARD WATER POLLUTION CONTROL PLANT

MECHANICAL
FERRIC CHLORIDE FEED
PLAN & SECTIONS

FILE NO.
115.219-052F
DATE
JULY 1, 1975

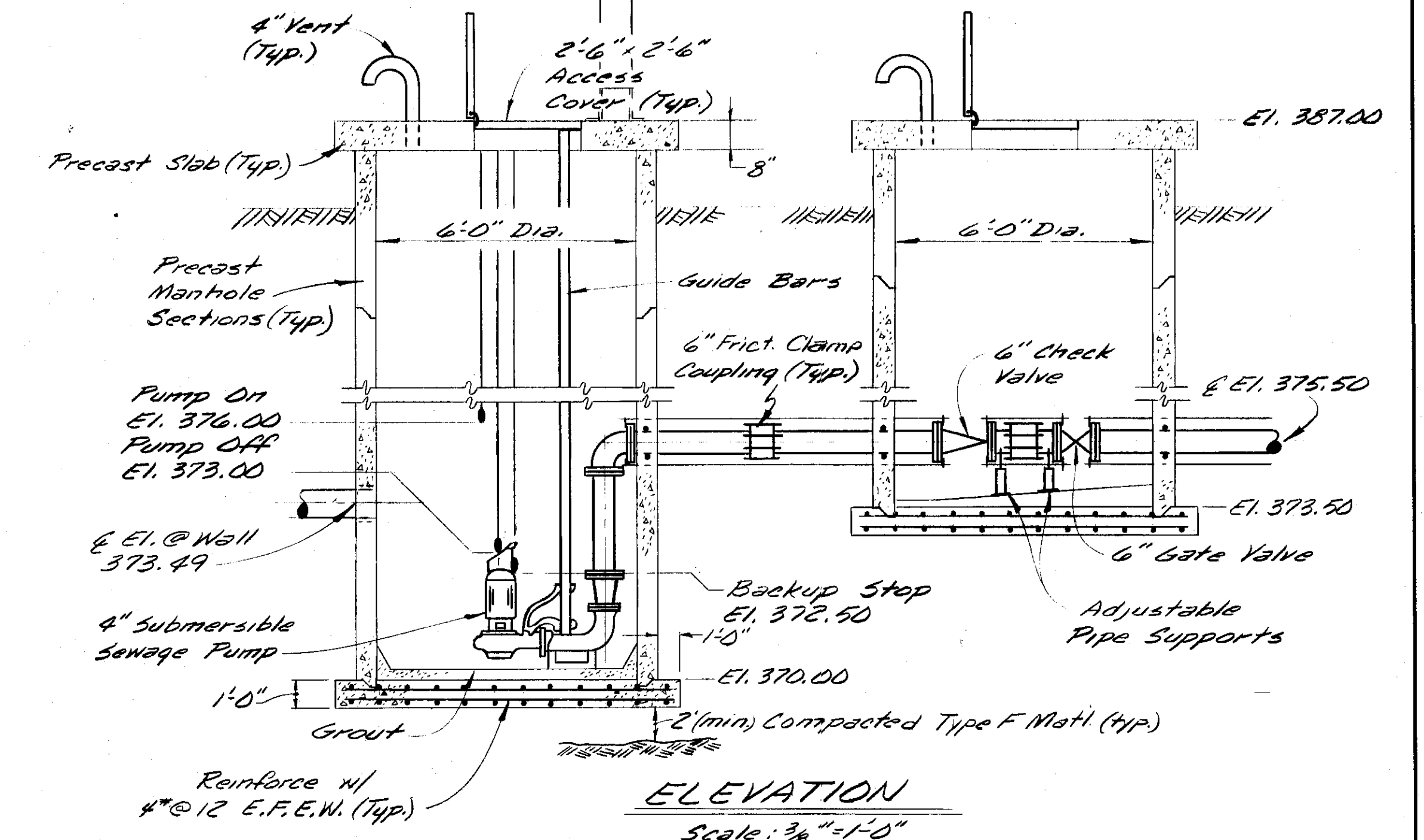
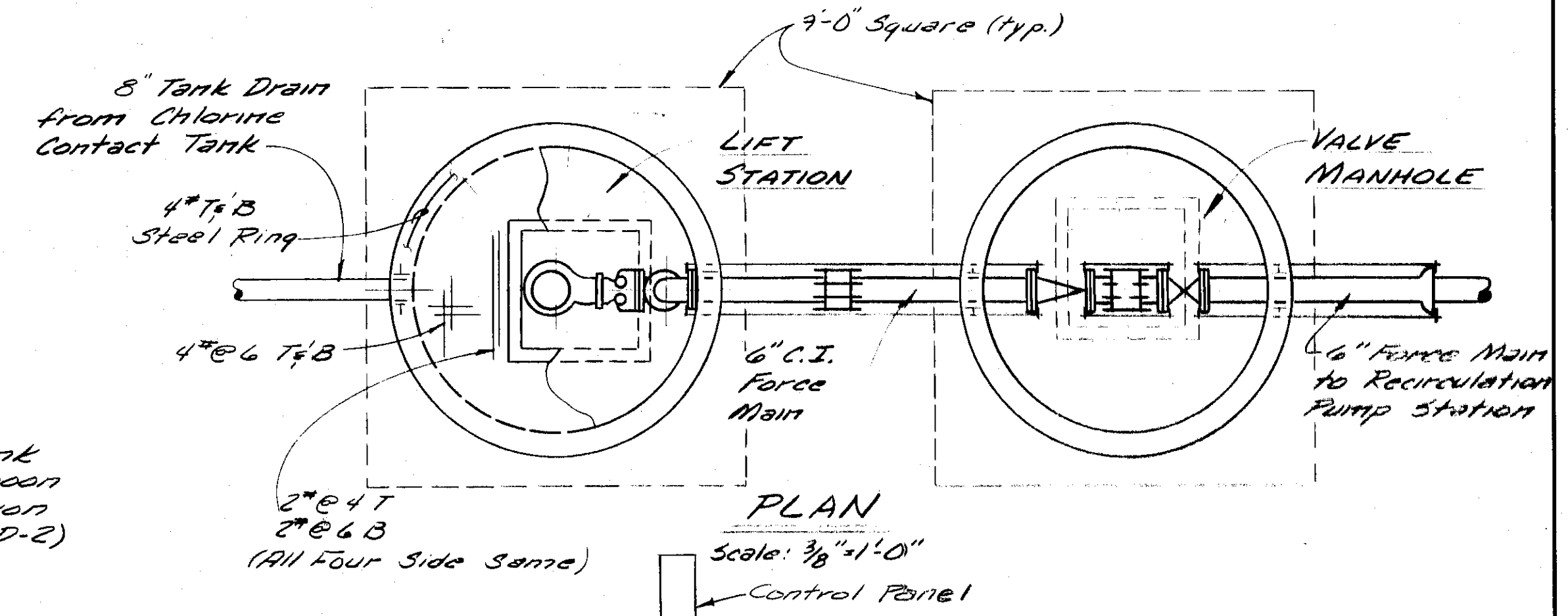
M-39



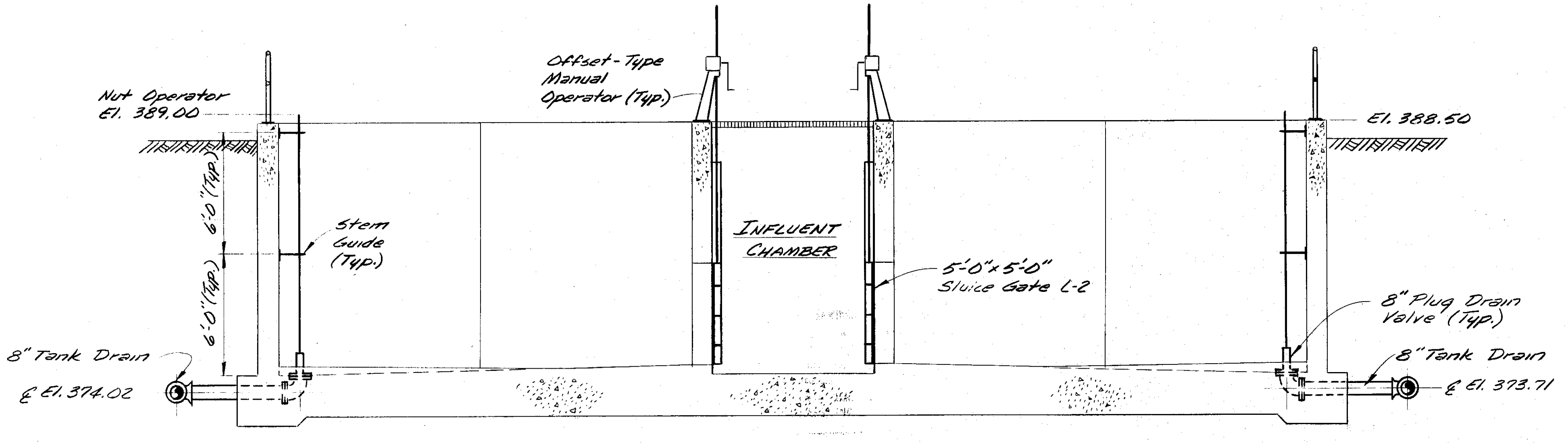


- Notes:
- 1) Contractor shall maintain flow through existing 72" outfall sewer during construction of new 48" chlorine contact tank outfall.
 - 2) Floating solids Baffle & Effluent stop plank weir to be 2"x12" Pressure Creosoted Cypress Planks.

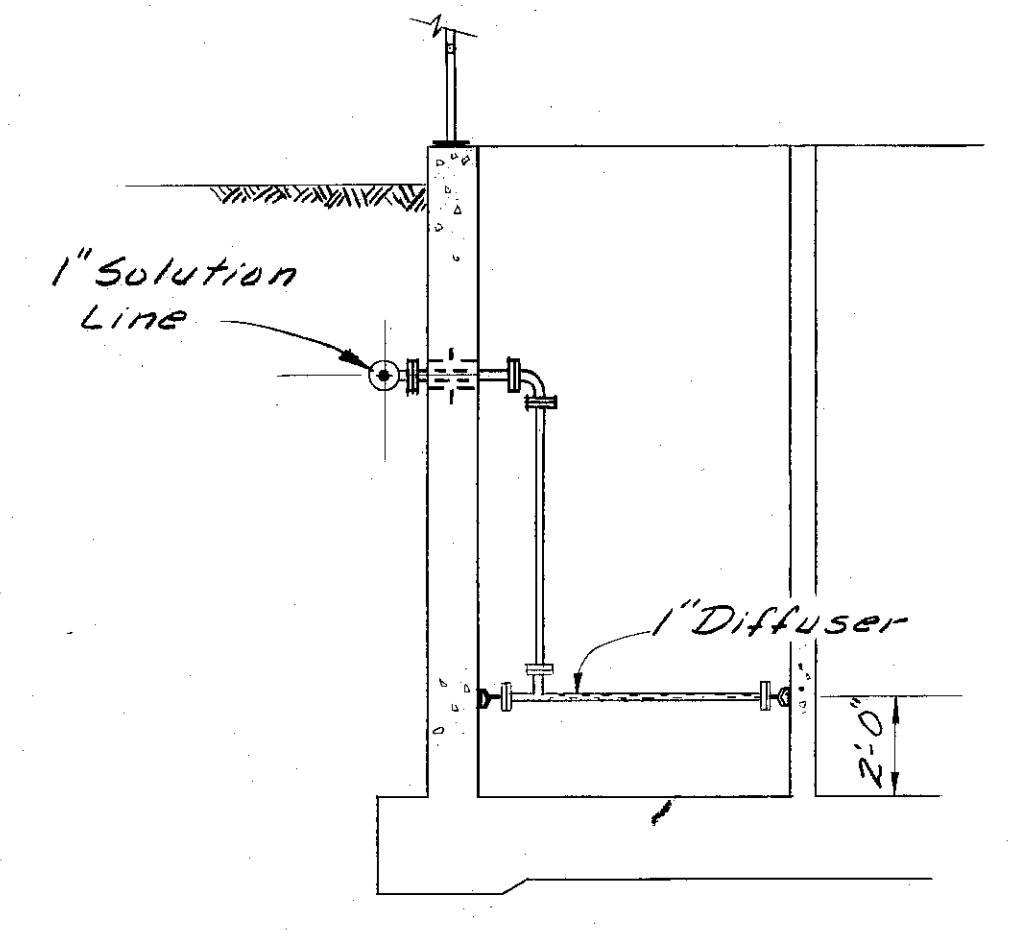
PLAN
Scale: 1/8" = 1'-0"



ELEVATION
Scale: 3/8" = 1'-0"
DEWATERING PUMP STATION



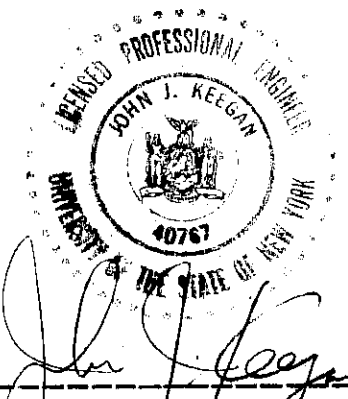
SECTION
Scale: 1/4" = 1'-0"



DIFFUSER DETAIL
Scale: 1/4" = 1'-0"

RECORD DRAWINGS
To the best of our knowledge and belief, the drawings submitted hereon are true and correct as compared to the project as constructed.
O'BRIEN & GERE
ENGINEERS, INC.
By: *[Signature]*

For Additional Information, See Sheets Z-44 R, RD-32, RD-28, Z-45



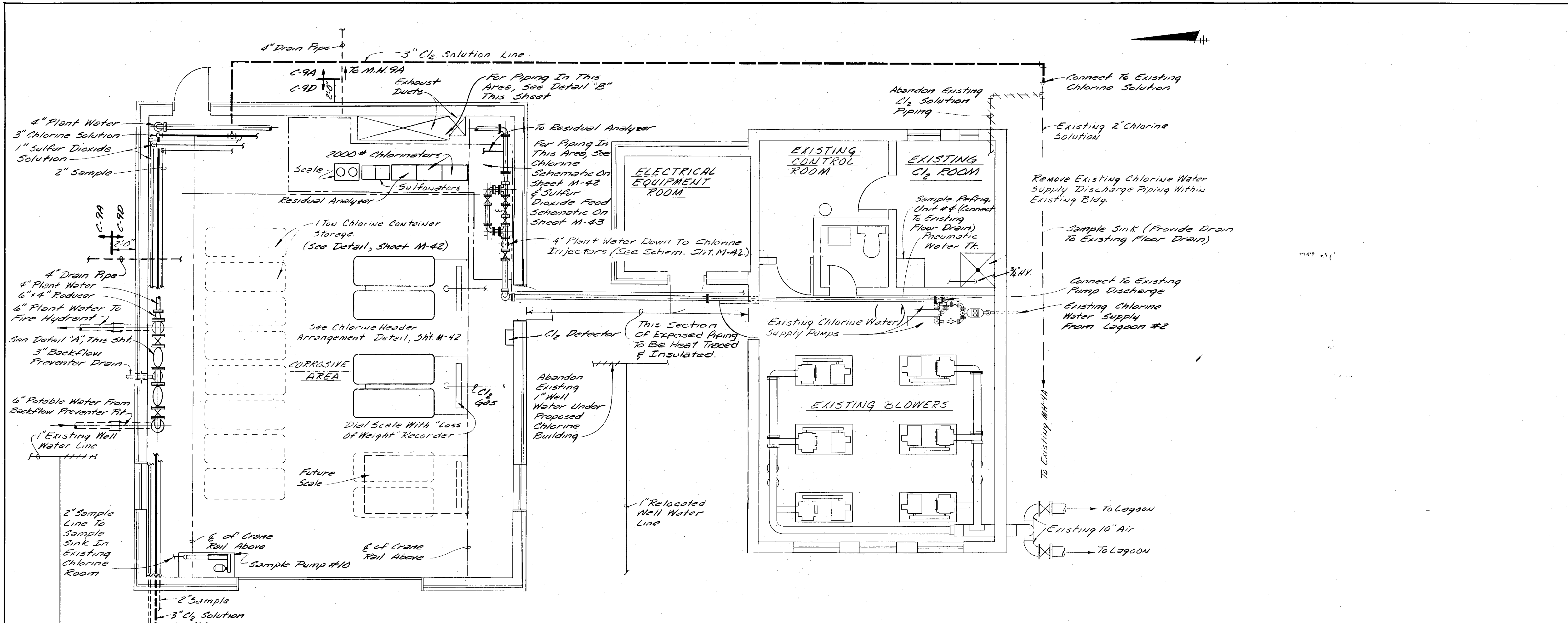
In charge of	Designed by	Checked by	Made by	NO.	DATE	REVISION	INIT.
<i>[Signature]</i>	ATS	AS	GBC				

O'BRIEN & GERE
ENGINEERS, INC.
Syracuse, New York

CLAY SANITARY DISTRICT
OAK ORCHARD SERVICE AREA
OAK ORCHARD WATER POLLUTION CONTROL PLANT

MECHANICAL
CHLORINE CONTACT TANK
PLAN & SECTIONS

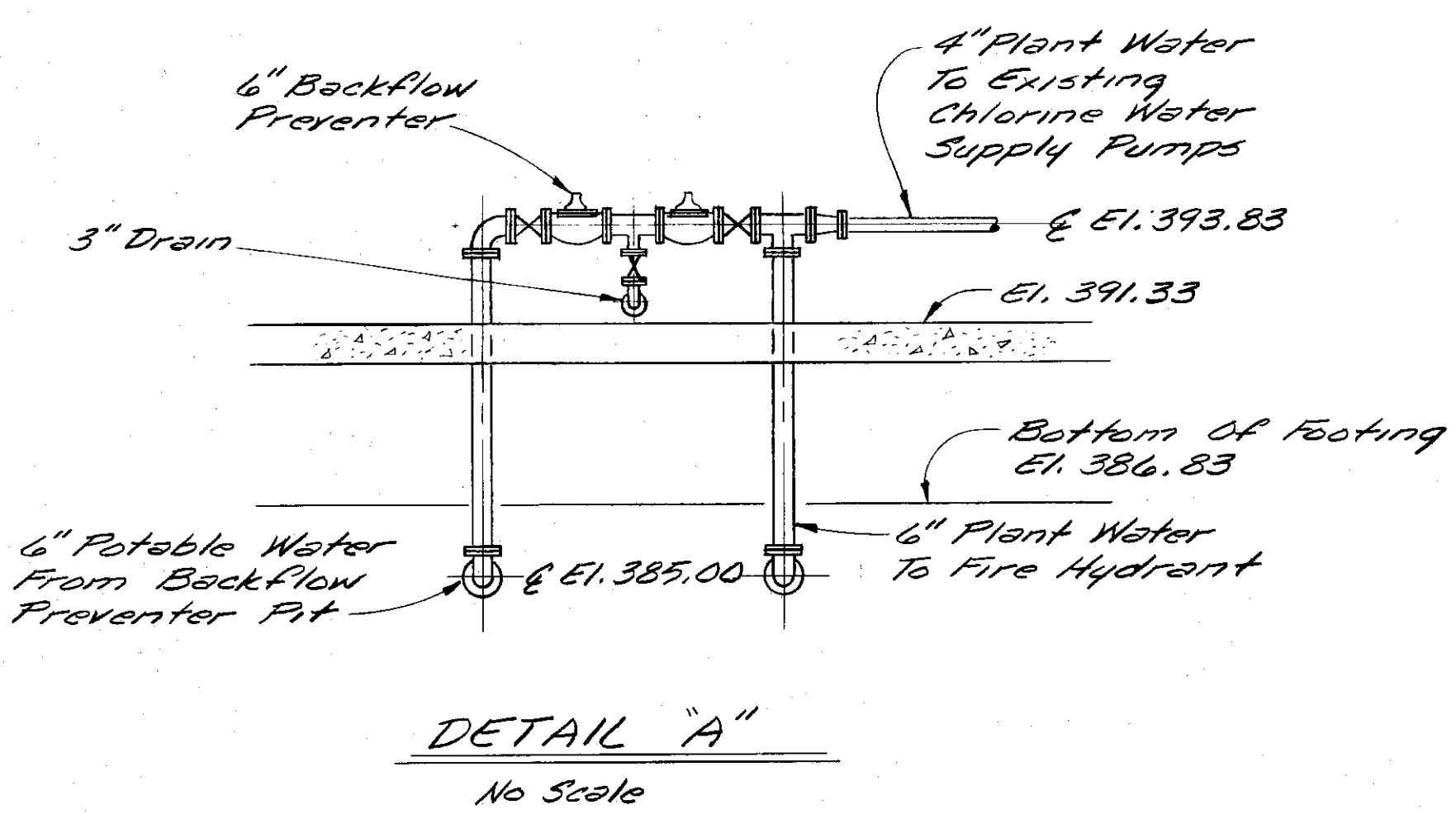
FILE NO.	AD-7
115.219-228F	
DATE	M-40
MARCH 31, 1978	



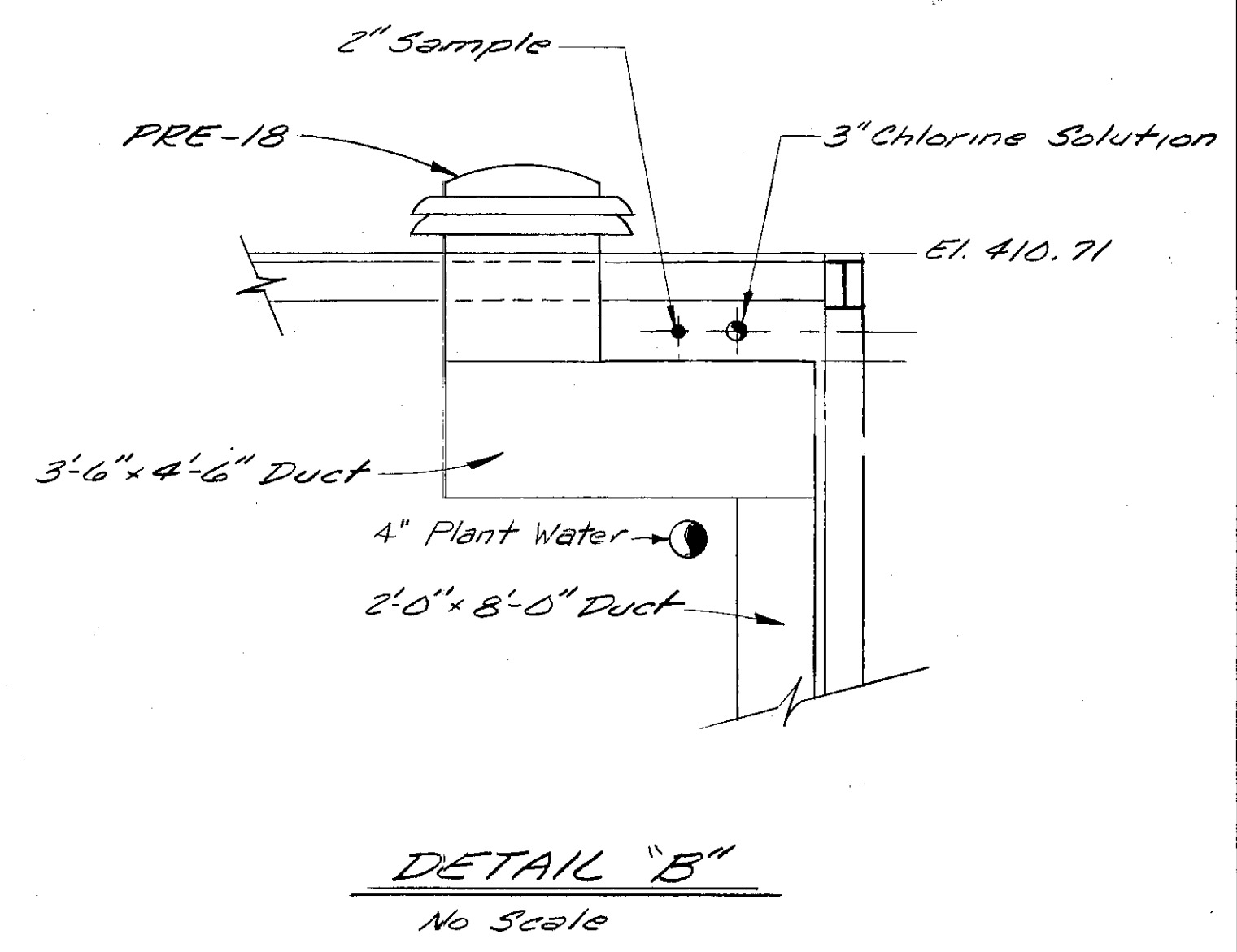
CHLORINATION BUILDING & ELECTRICAL EQUIPMENT PLAN
Scale: 1/4" = 1'-0"

- NOTE:**
- 1) See Sht M-42 For Chlorine Piping Schematic.
 - 2) See Sht M-43 For Sulfur Dioxide Piping Schematic.
 - 3) Existing Well & Pump To Remain Connected To Lavatory.
 - 4) Provide Sample Sink Drain To Floor Drain In Existing Scale Pit.
 - 5) Remove Existing Chlorination Equipment Including Scale Equipment Shall Remain The Property Of The Owner.
 - 6) Fill Existing Scale Pits w/ Class C Concrete To Floor Level.

RECORD DRAWINGS
To the best of our knowledge, information and belief, the drawings substantially represent the project as constructed.
O'BRIEN & GERE ENGINEERS, INC.
By: *[Signature]*



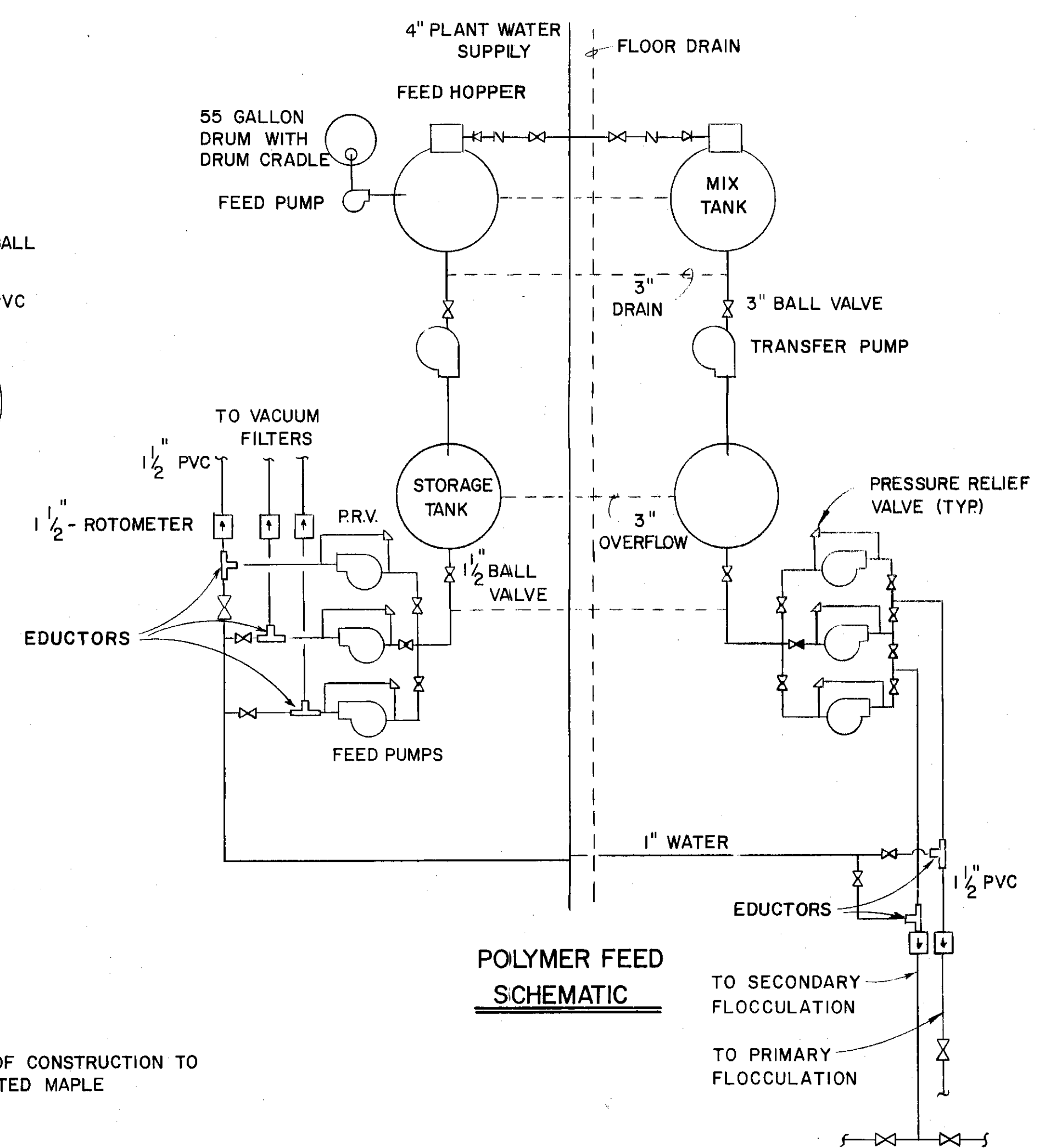
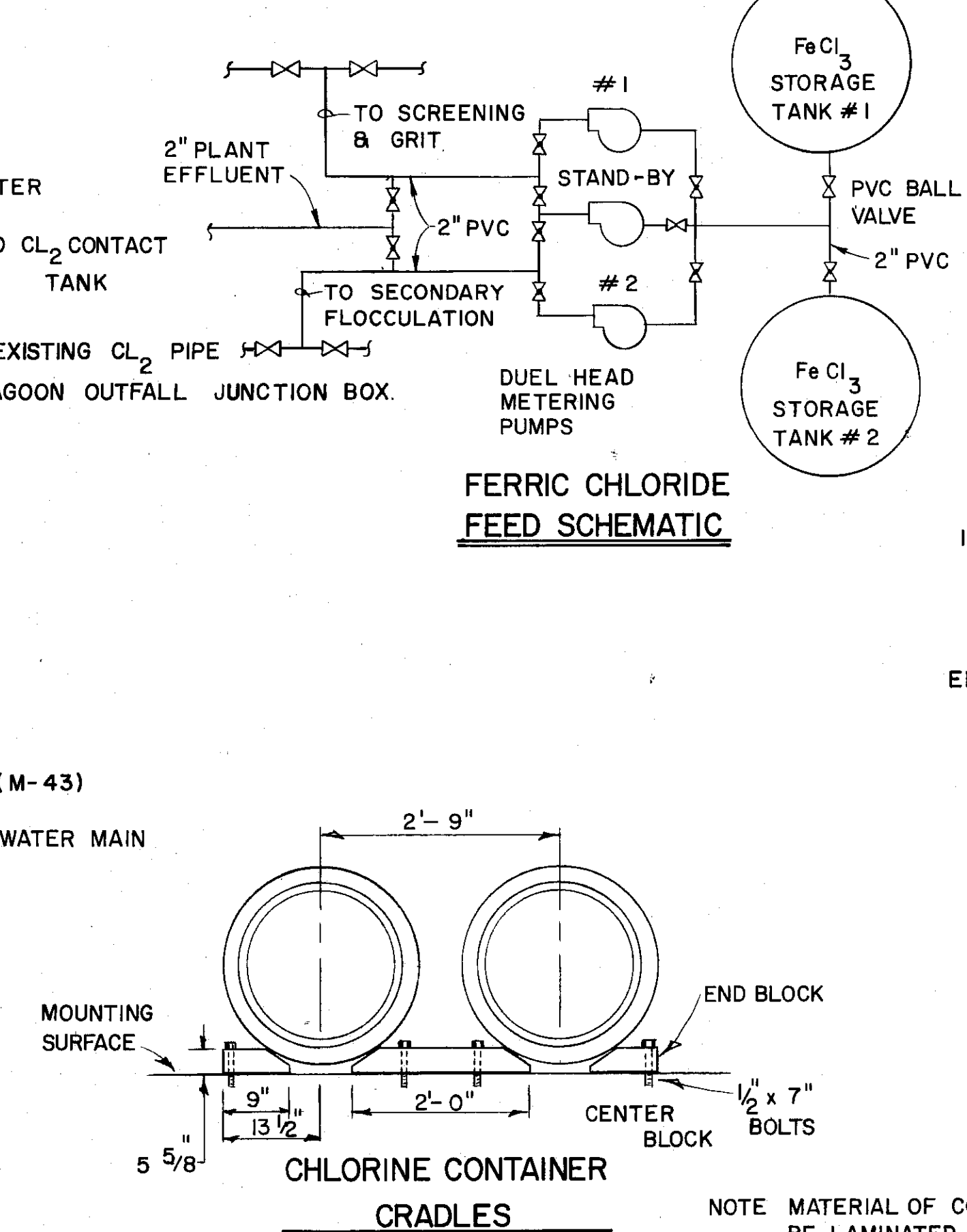
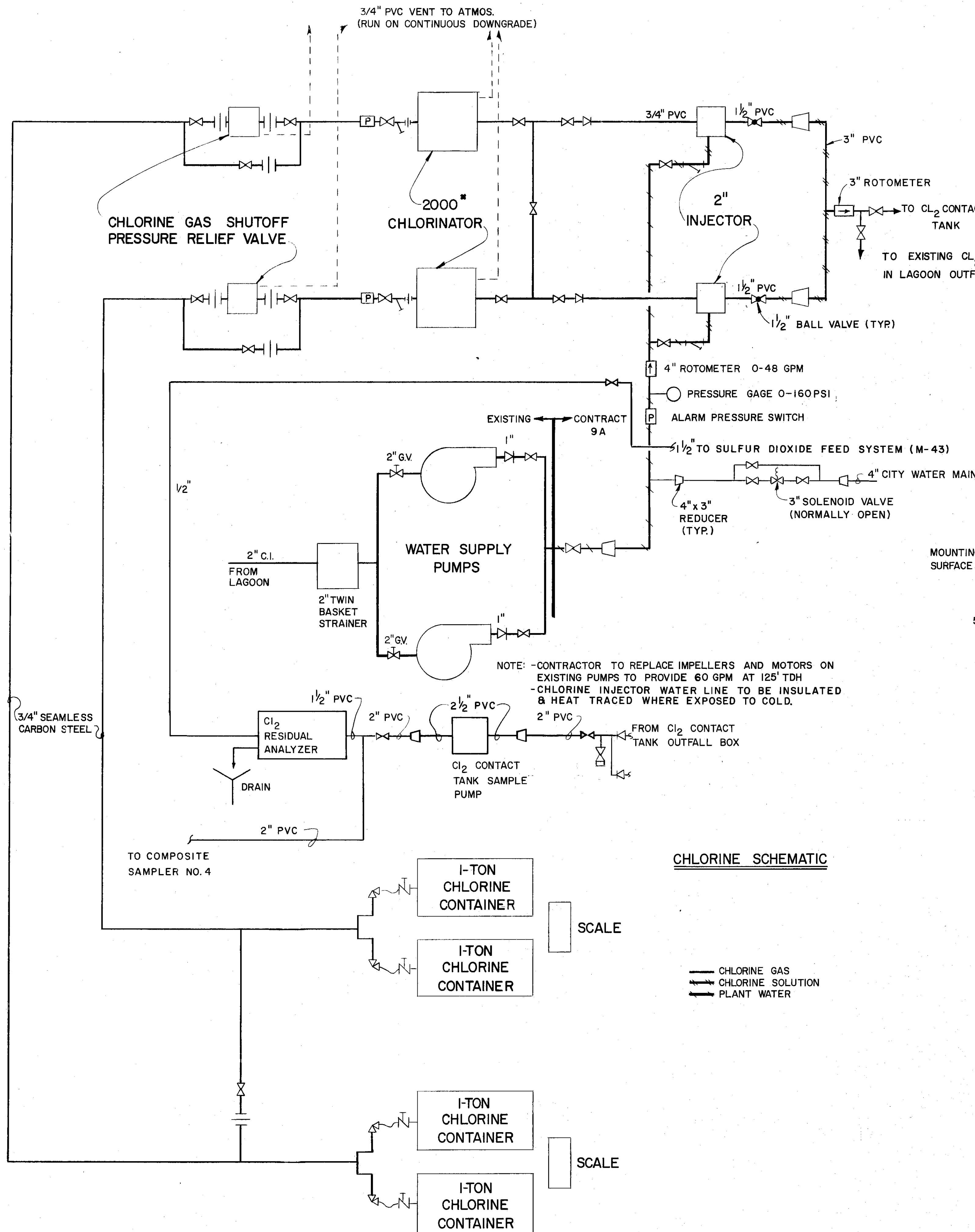
DETAIL "A"
No Scale



DETAIL "B"
No Scale

Det. Sink Sys. [Signature]

In charge of <i>[Signature]</i> Designed by <i>[Signature]</i> Checked by <i>[Signature]</i> Made by <i>GBC</i>	NO. DATE REVISION INIT.			CLAY SANITARY DISTRICT OAK ORCHARD SERVICE AREA OAK ORCHARD WATER POLLUTION CONTROL PLANT	MECHANICAL CHLORINATION BUILDING DETAILS	FILE NO. 115.219-226F	AD-5
						DATE MARCH 17, 1978	M-41



CHLORINE HEADER ARRANGEMENT
N.T.S.

ALL DRAWINGS
 are the property of O'Brien & Gere Engineers, Inc.
 and shall remain their property
 whether submitted to or retained by
 the project as constructed.
 O'BRIEN & GERE
 ENGINEERS, INC.
 311 Colfax

Handwritten signature and initials



In charge of <u>SJP</u>	NO SCALE	NO. DATE	REVISION	INIT.
Designed by <u>GRM</u> Checked by <u>SJP</u>				
Made by <u>RBE</u>		1/20/75	General Revisions	
		3/1/77	General Revisions	

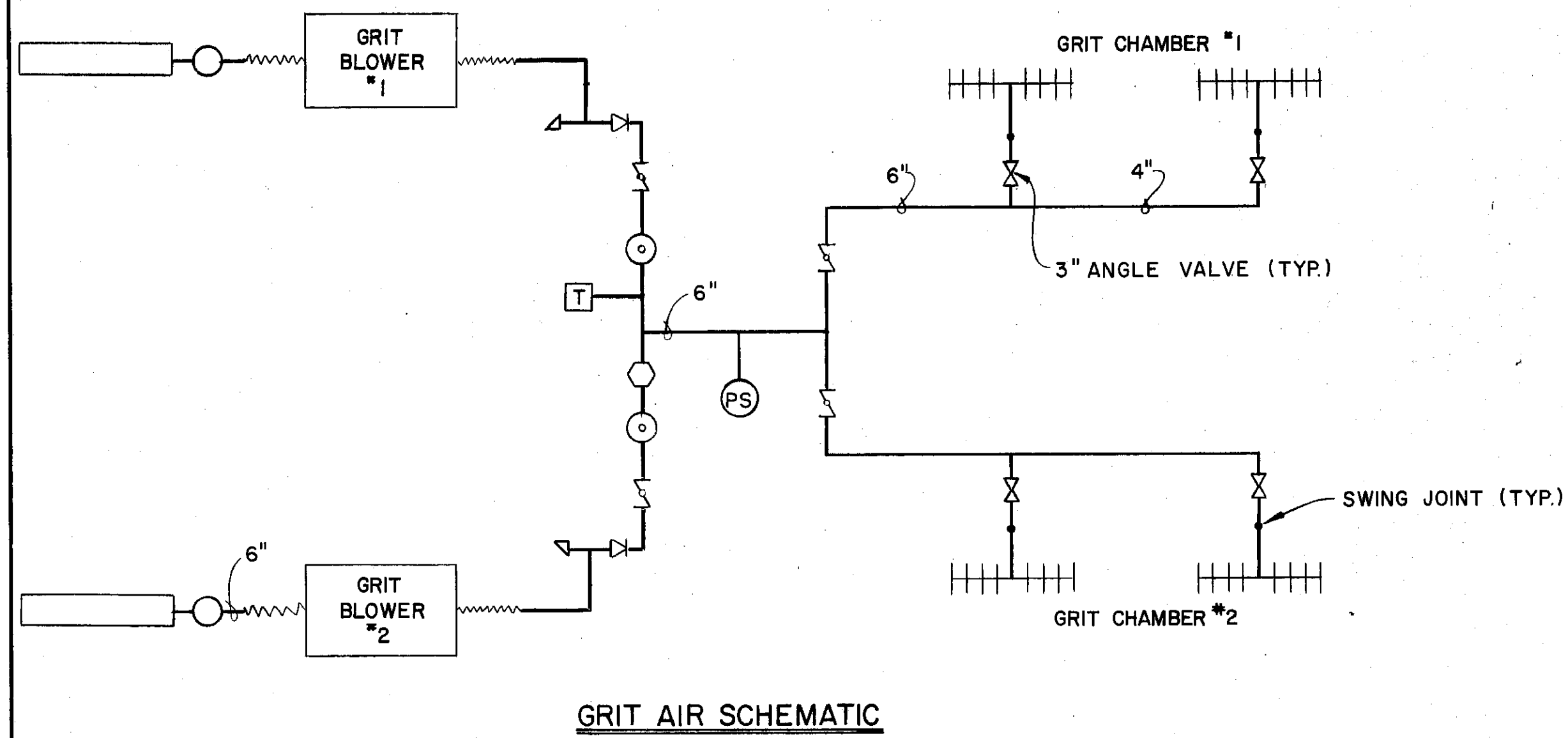
O'BRIEN & GERE
ENGINEERS, INC.
Syracuse, New York

CLAY SANITARY DISTRICT
OAK ORCHARD SERVICE AREA
OAK ORCHARD WATER POLLUTION CONTROL PLANT

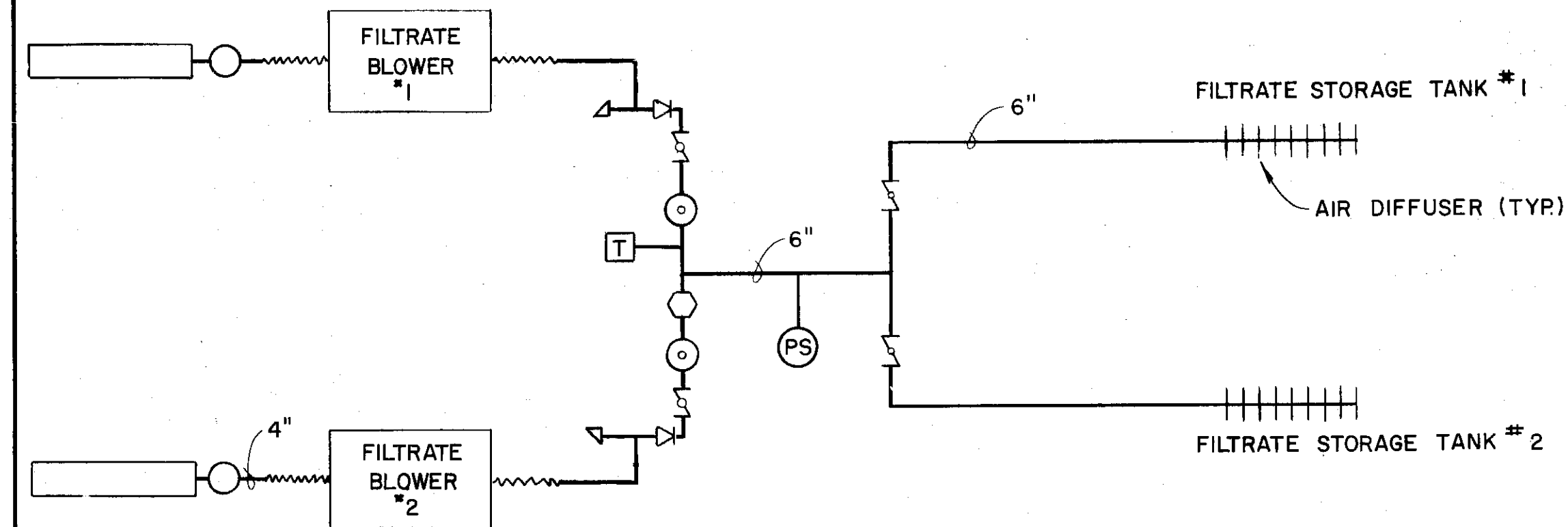
MECHANICAL
CHLORINE & CHEMICAL FEED
SCHEMATICS

FILE NO.
115.219-055F
DATE
JULY 1, 1975

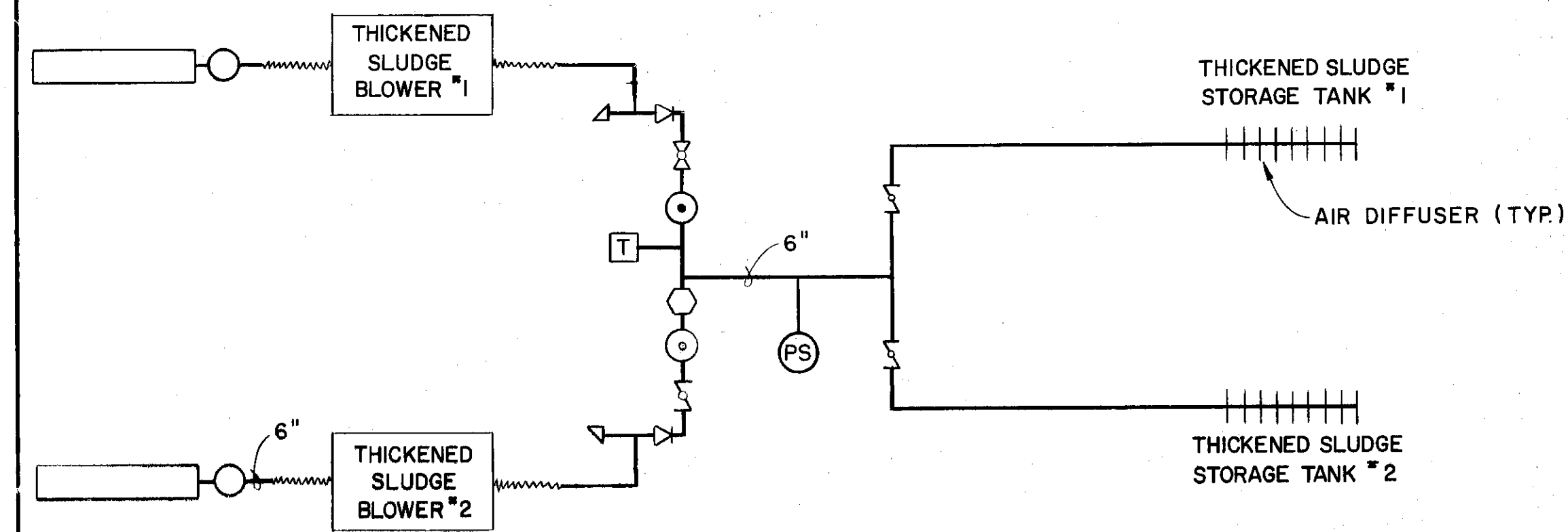
M-42



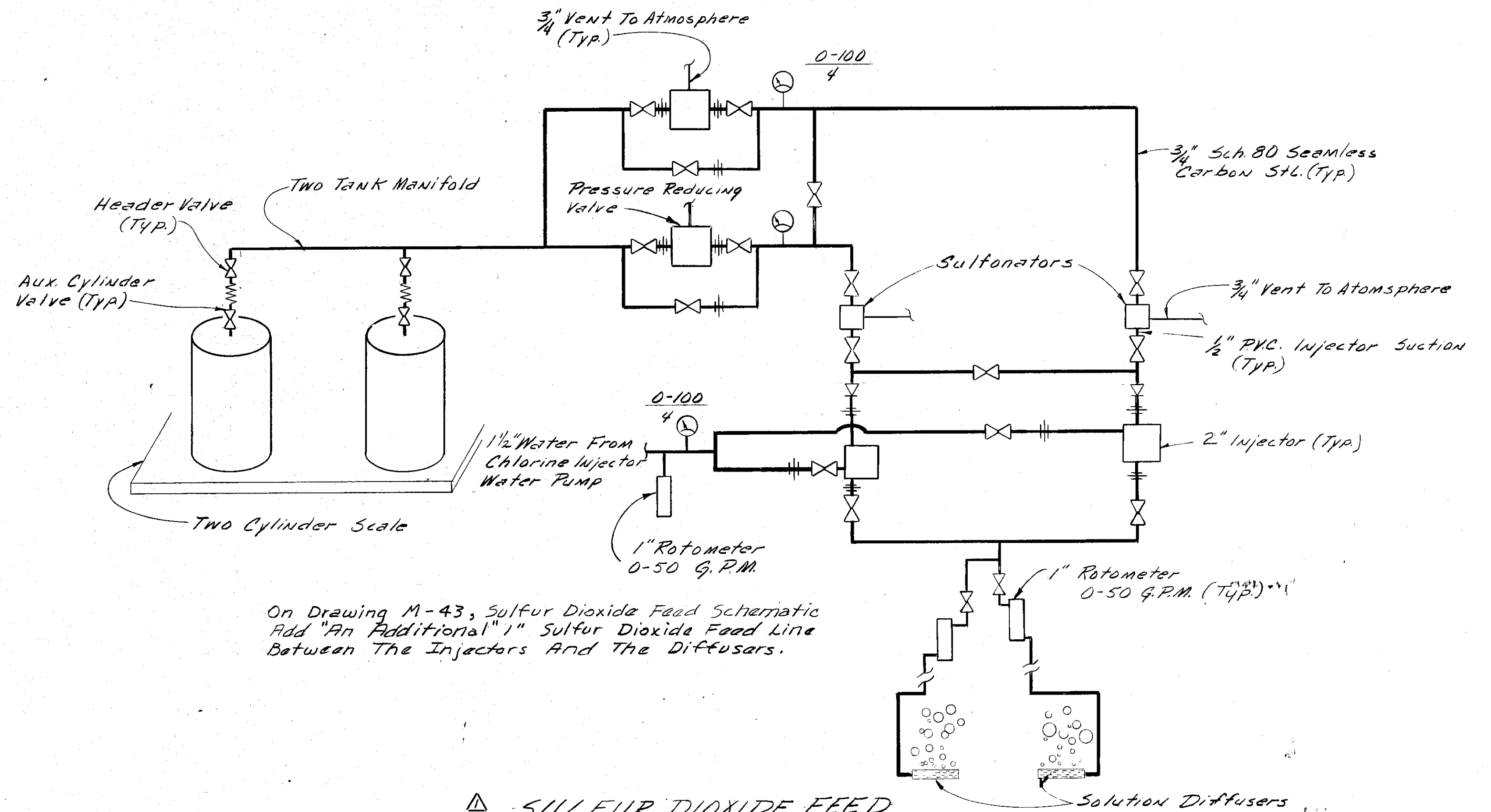
GRIT AIR SCHEMATIC



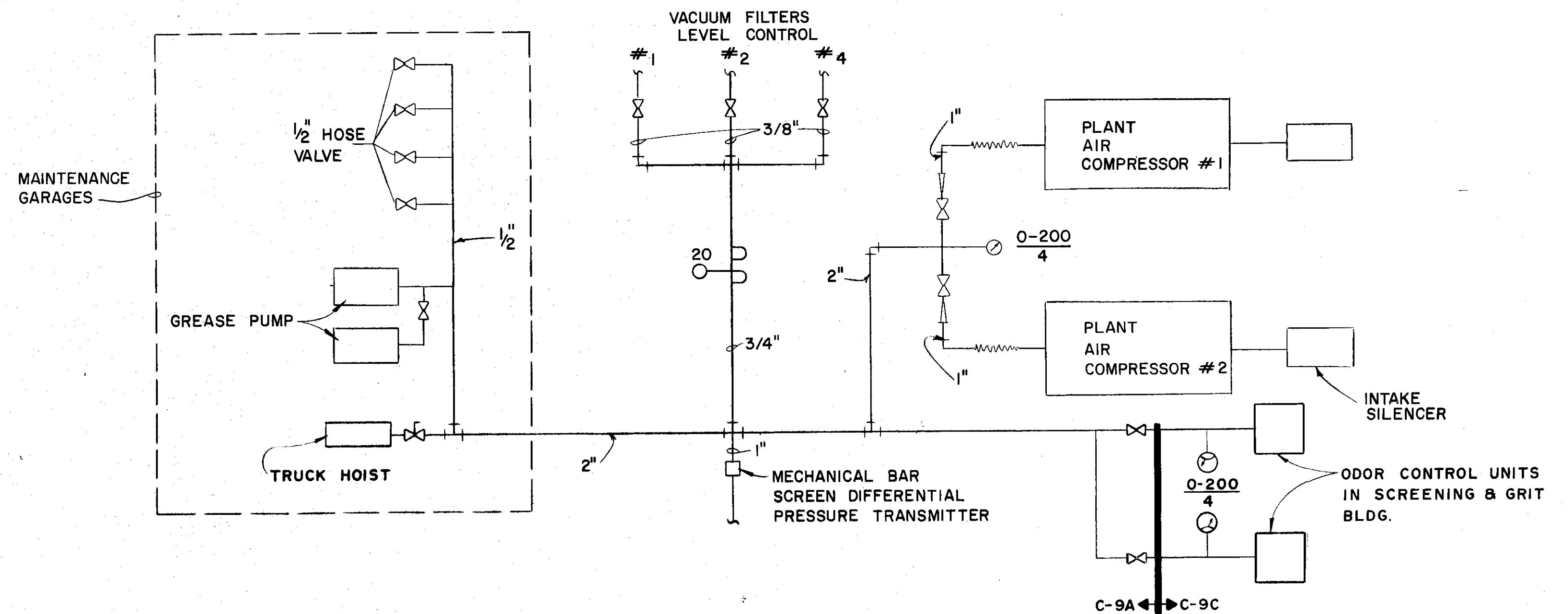
FILTRATE AIR SCHEMATIC



THICKENED SLUDGE AIR SCHEMATIC



SULFUR DIOXIDE FEED SCHEMATIC



PLANT AIR SCHEMATIC

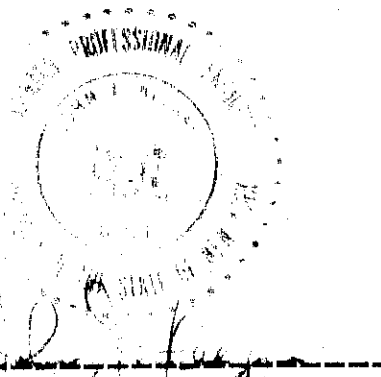
LEGEND

- T THERMOMETER
- PS PRESSURE SWITCH
- ⊗ BALL VALVE
- ⊘ CHECK VALVE
- ⌒ BUTTERFLY VALVE
- ~ FLEXIBLE CONNECTION
- INLET SILENCER
- ⊙ DISCHARGE SILENCER
- ⊕ MERCURY MANOMETER
- ⌞ PRESSURE RELIEF VALVE
- INLET FILTER

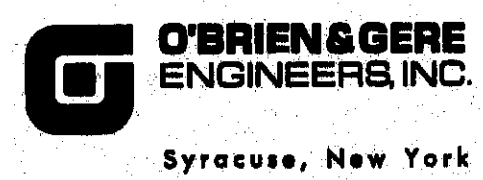
NOTES:

1. LOCATE ONE AIR HOSE VALVE IN SEWER CREW GARAGE & THREE HOSE VALVES IN MAINTENANCE GARAGE AS DIRECTED BY FIELD ENGINEER.
2. VACUUM FILTER LEVEL CONTROLLER LOCATED IN VAT OF VACUUM FILTER.
3. MECHANICAL BAR SCREEN DIFFERENTIAL PRESSURE TRANSMITTER LOCATED IN SCREENINGS & GRIT BUILDING.

For Additional Information See Sheets AD-9, RD-1



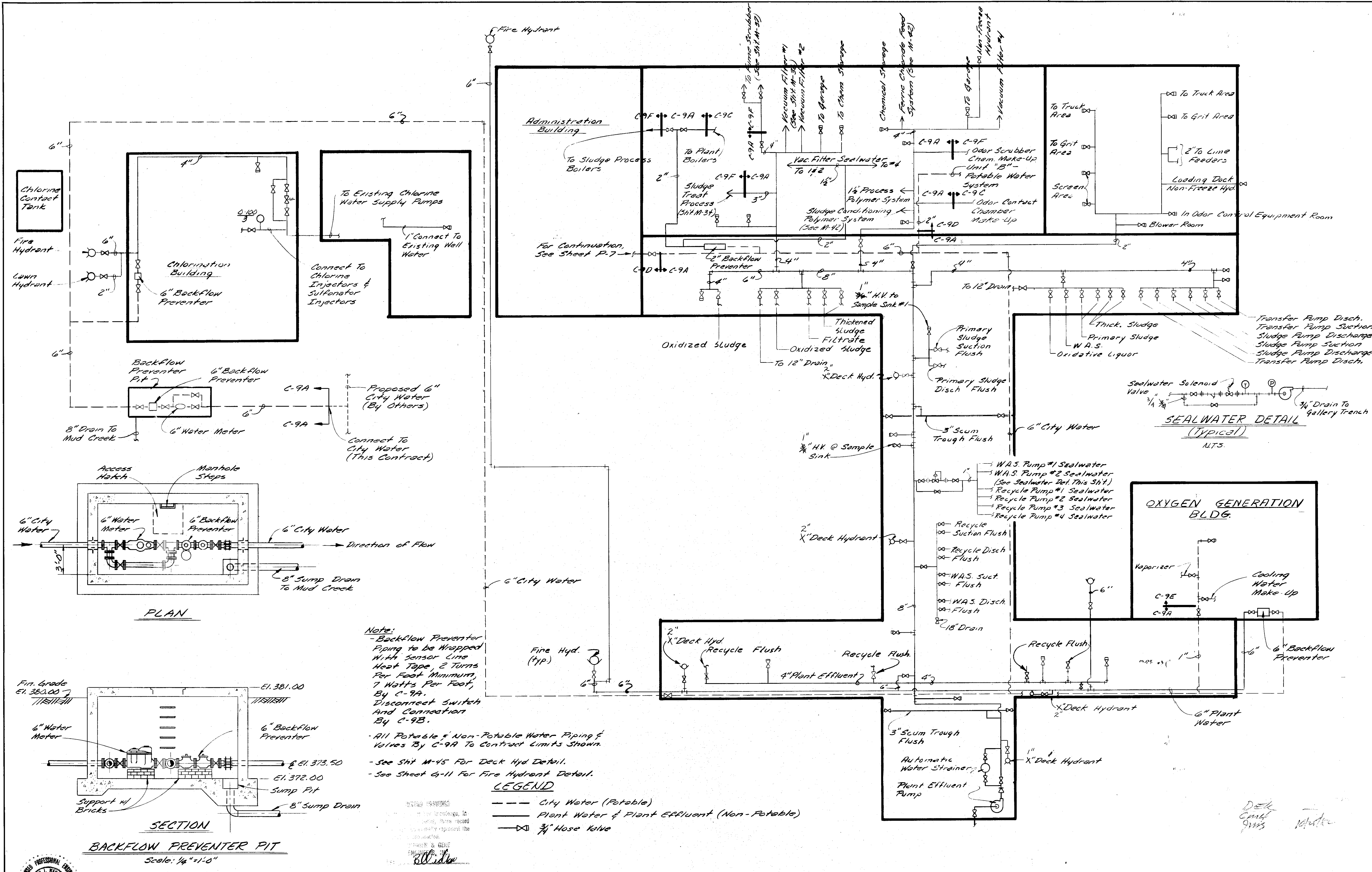
In charge of <u>W.P.P.</u>	NO SCALE	NO. DATE	REVISION	INIT.
Designed by <u>GBM</u> Checked by <u>W.P.P.</u>		1/20/76	General Revisions	W.P.P.
Made by <u>R.R.E.</u>		5/4/77	General Revisions	W.P.P.
		1/17/76	Sulfur Dioxide Feeder Schem.	W.P.P.



CLAY SANITARY DISTRICT
OAK ORCHARD SERVICE AREA
OAK ORCHARD WATER POLLUTION CONTROL PLANT

MECHANICAL
SCHEMATICS

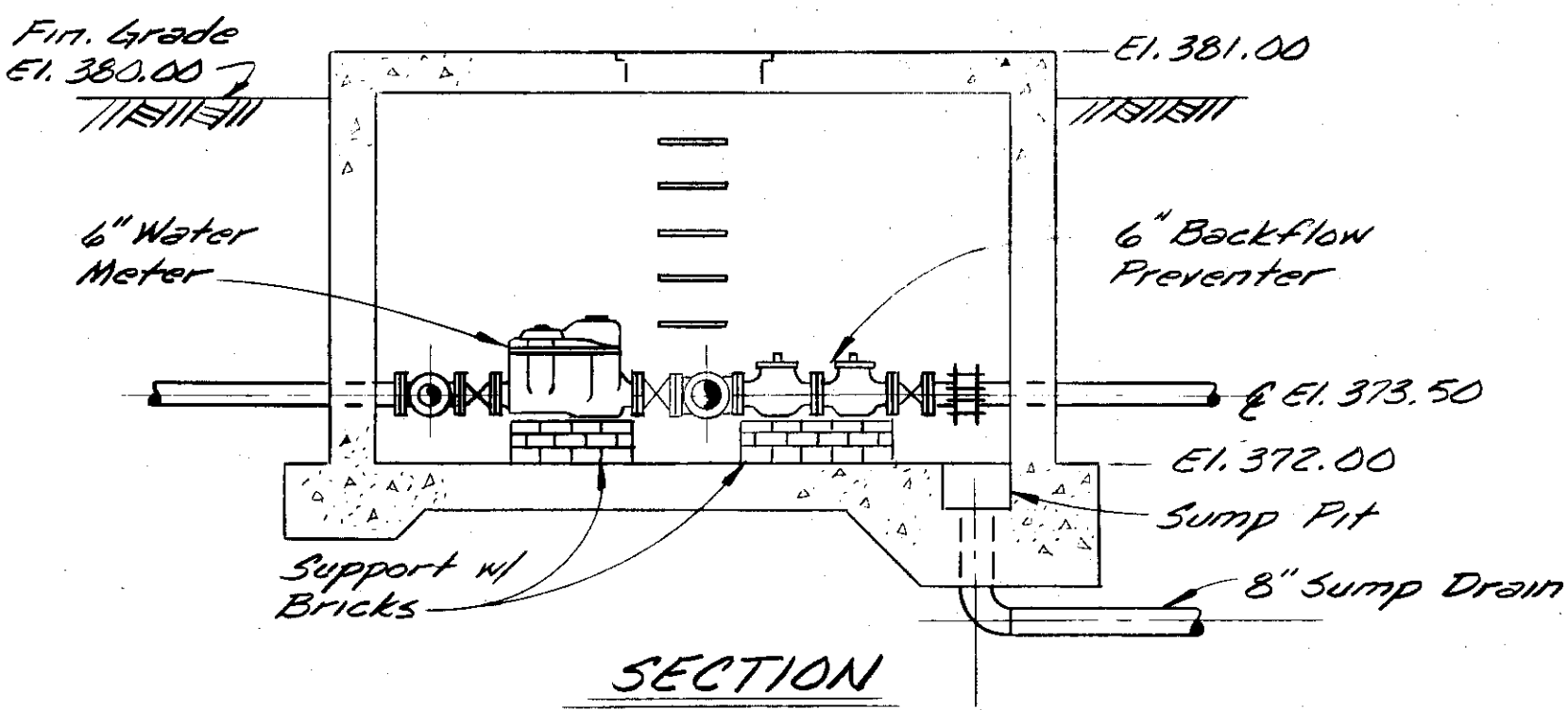
FILE NO. 115.219-056F	M-43
DATE JULY 1, 1975	



Note:
 - Backflow Preventer Piping to be wrapped with sensor line Heat Tape, 2 Turns Per Foot Minimum, 7 Watts Per Foot, By C-9A. Disconnect Switch and Connection By C-9B.
 - All Potable & Non-Potable Water Piping & Valves By C-9A To Contract Limits Shown.
 - See Sht M-45 For Deck Hyd Detail.
 - See Sheet G-11 For Fire Hydrant Detail.

LEGEND

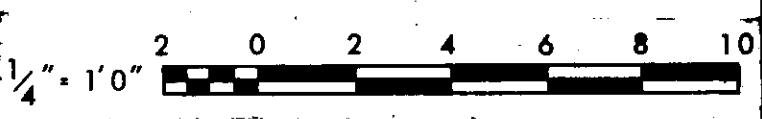
- City Water (Potable)
- Plant Water & Plant Effluent (Non-Potable)
- ⊗ 3/4" Hose Valve



BACKFLOW PREVENTER PIT
 Scale: 1/4" = 1'-0"



In charge of WJ
 Designed by AS Checked by AS
 Made by GBC



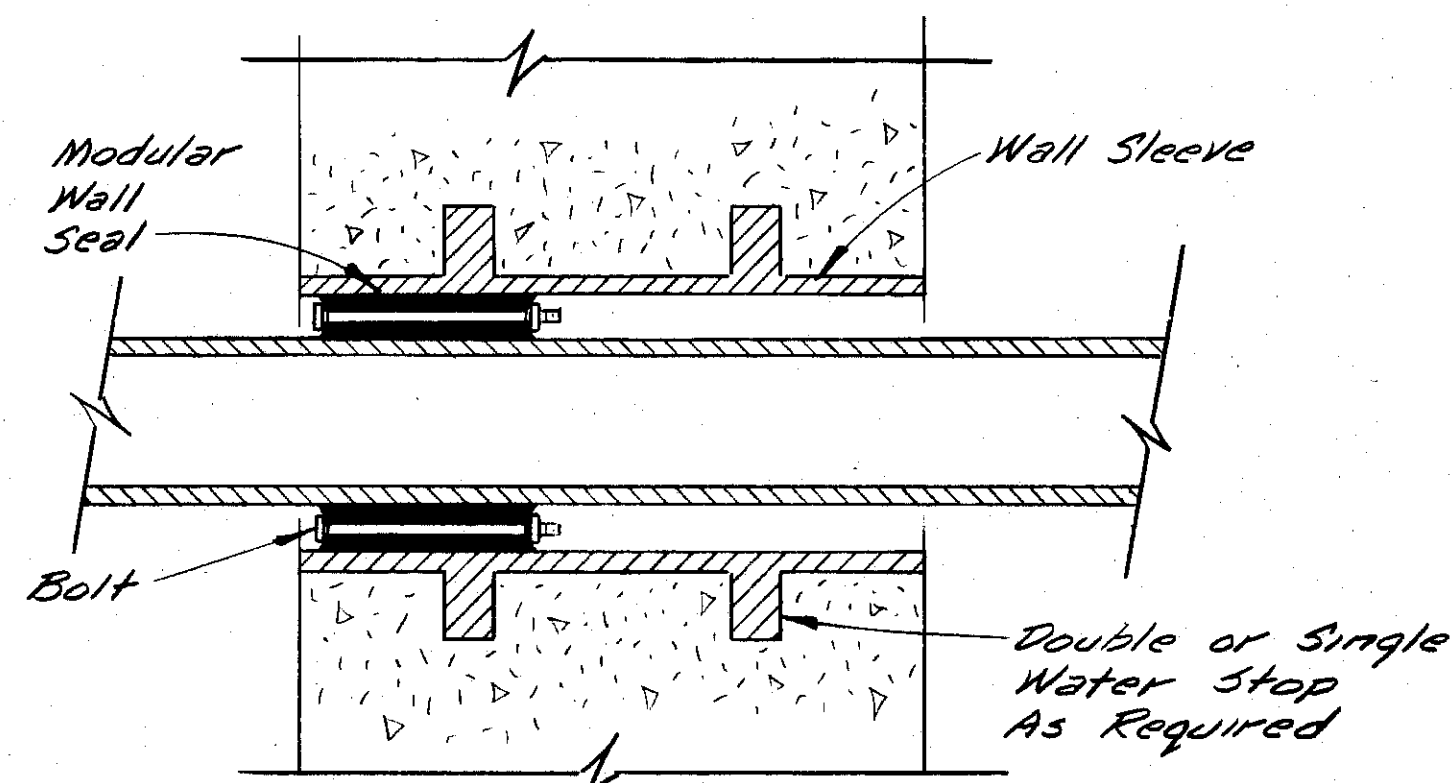
NO.	DATE	REVISION	INIT.

O'BRIEN & GERE ENGINEERS, INC.
 Syracuse, New York

CLAY SANITARY DISTRICT
OAK ORCHARD SERVICE AREA
OAK ORCHARD WATER POLLUTION CONTROL PLANT

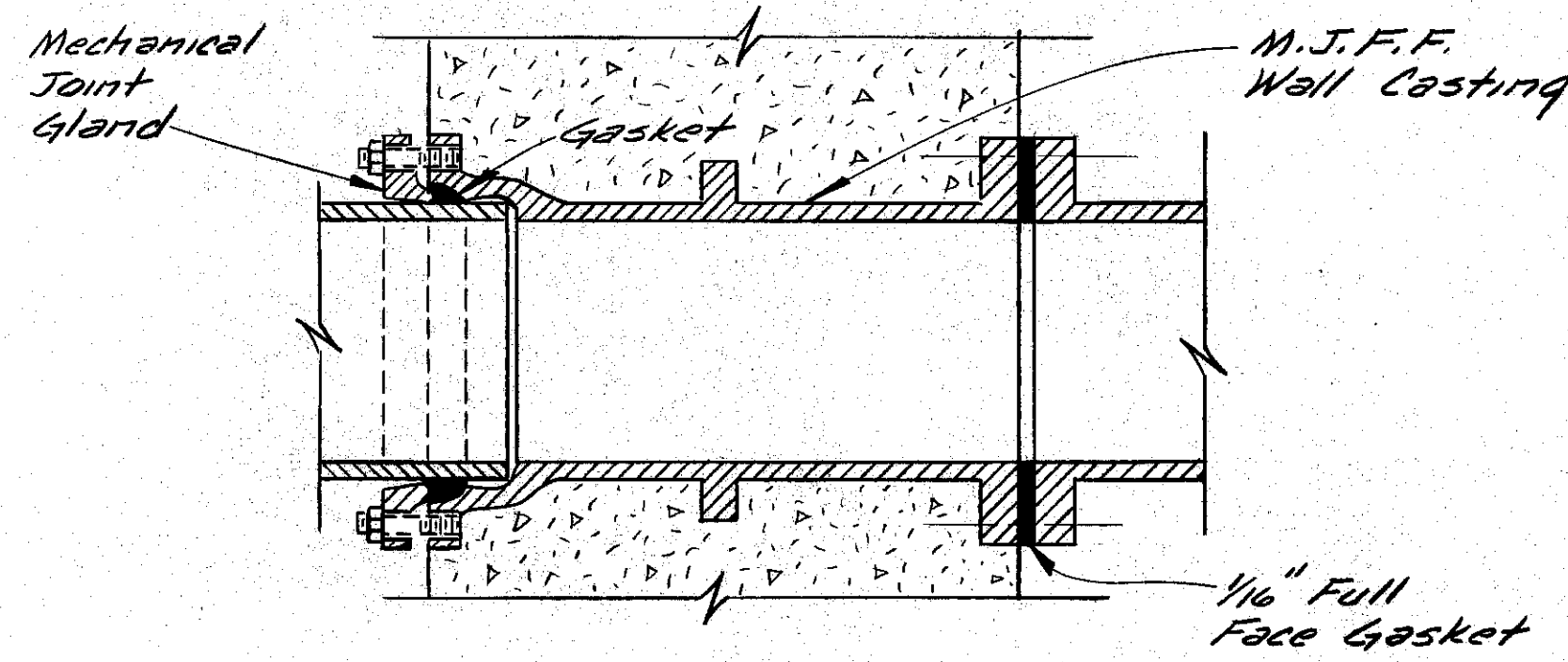
MECHANICAL
WATER
SCHEMATIC

FILE NO. 115.219-224F
 DATE MARCH 10, 1978
AD-3
M-44

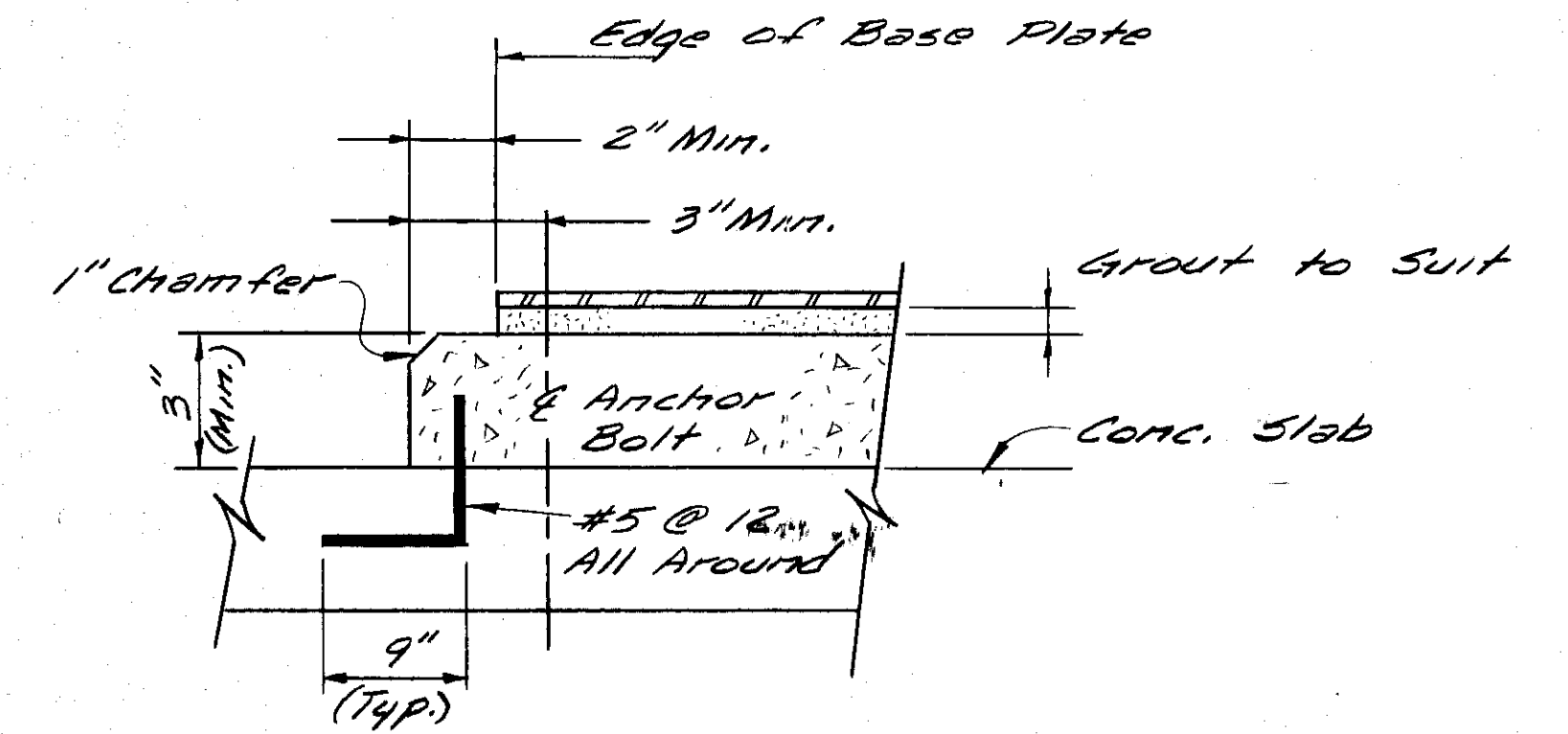


Note: Caulked Joint Type Wall Sleeve w/ Two Caulking Rings May Be Provided In Lieu of Wall Seal.

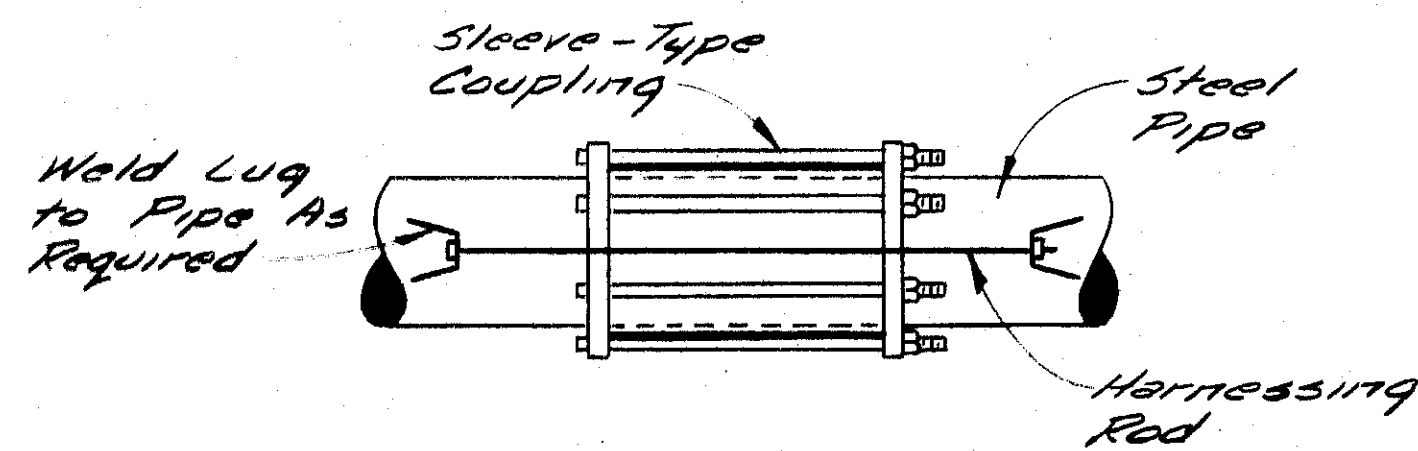
TYPICAL WALL SLEEVE DETAIL
No Scale



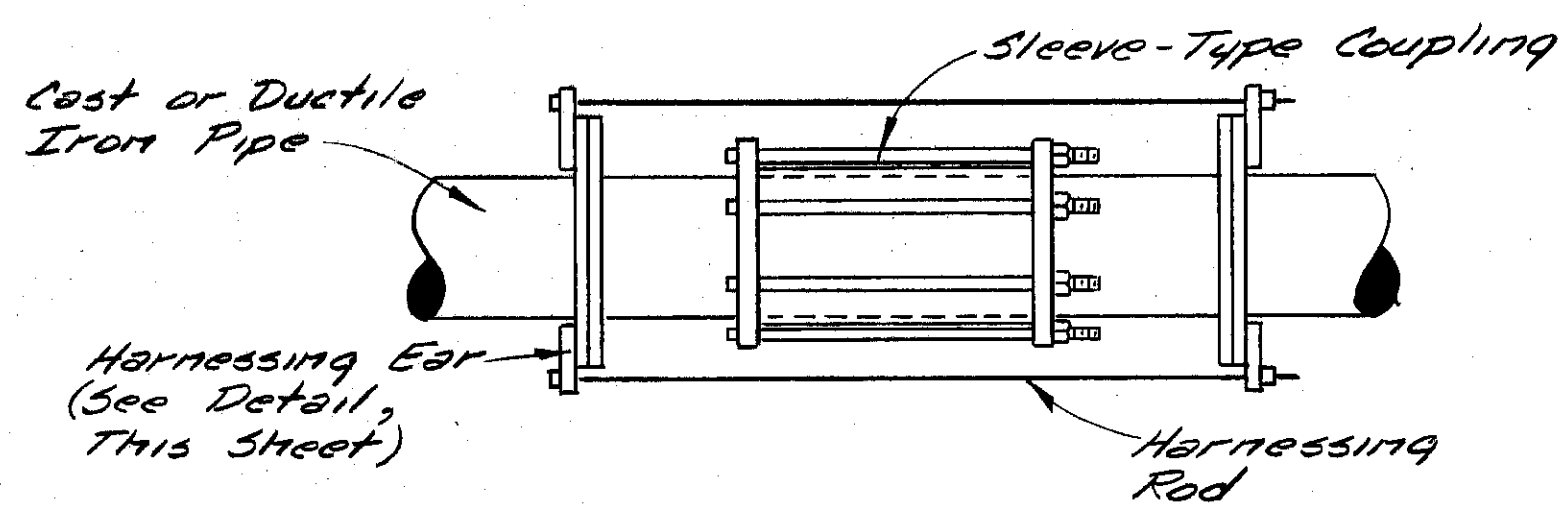
TYPICAL WALL CASTING DETAIL
No Scale



EQUIPMENT BASE DETAIL
No Scale

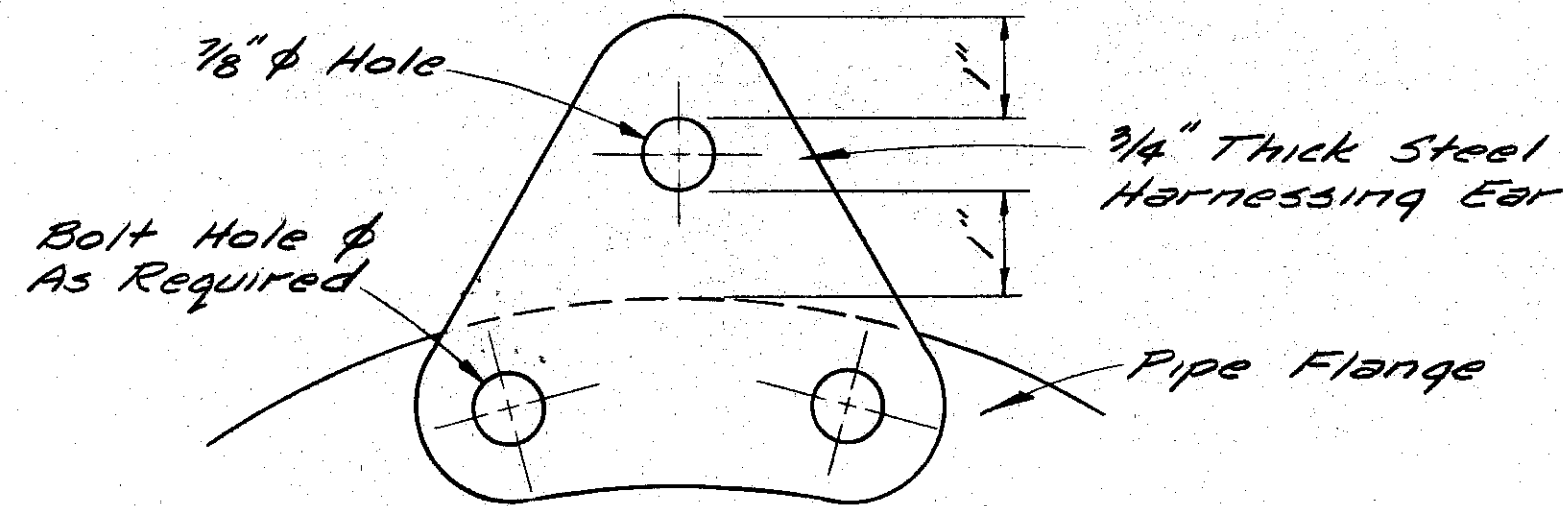


HARNESS FOR STEEL PIPE

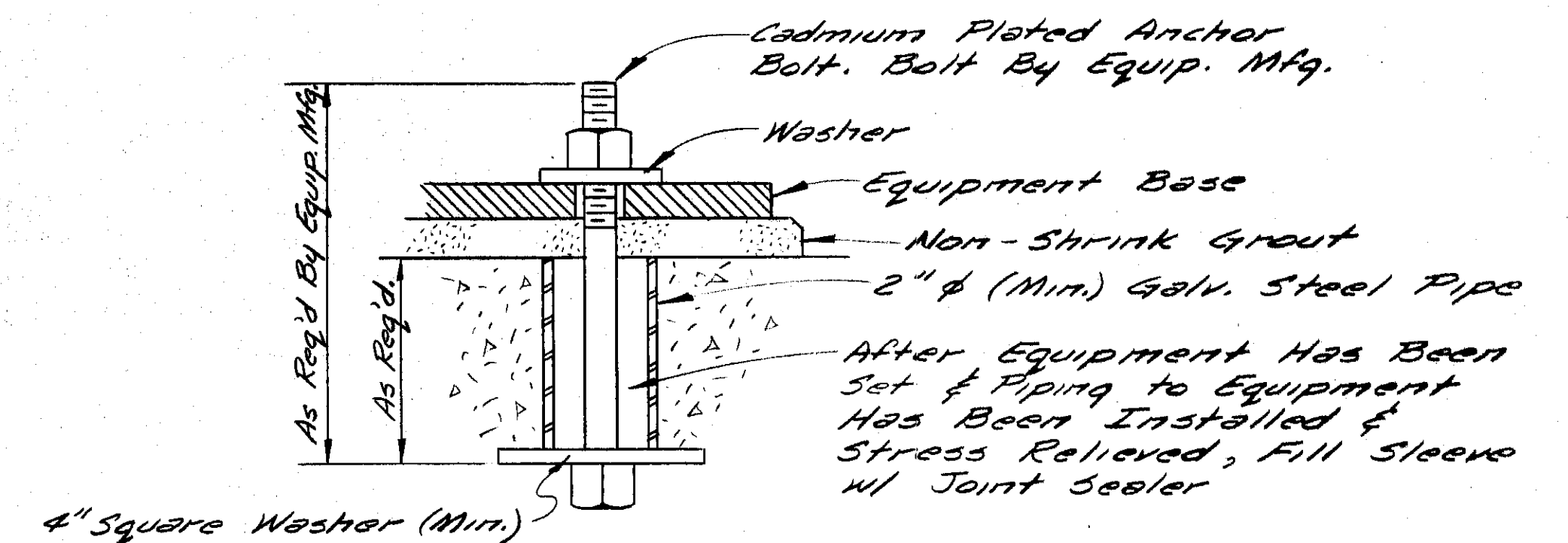


HARNESS FOR CAST OR DUCTILE IRON PIPE

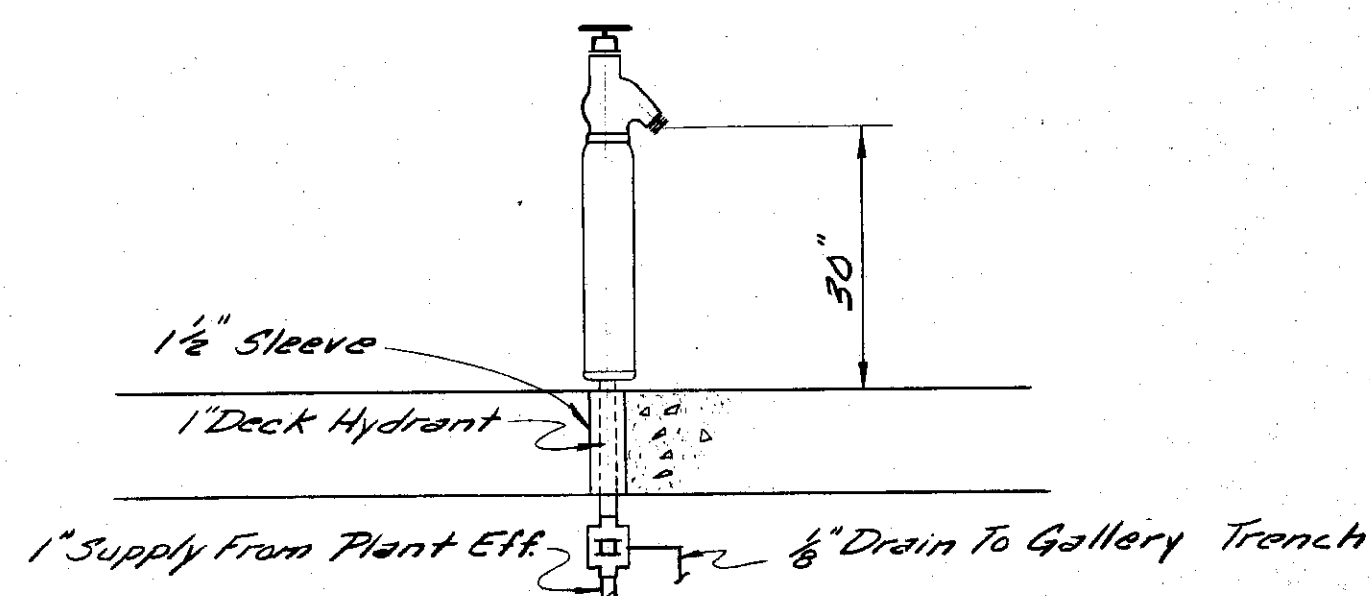
TYPICAL HARNESSSED JOINT
No Scale



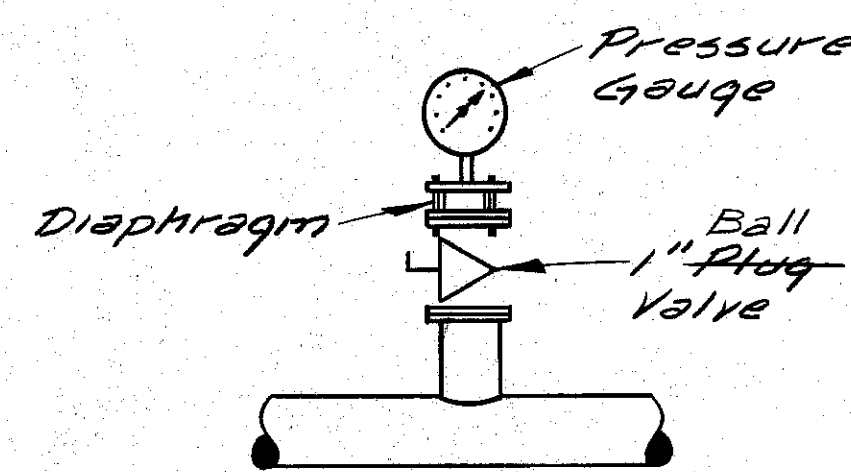
HARNESSING EAR DETAIL
No Scale



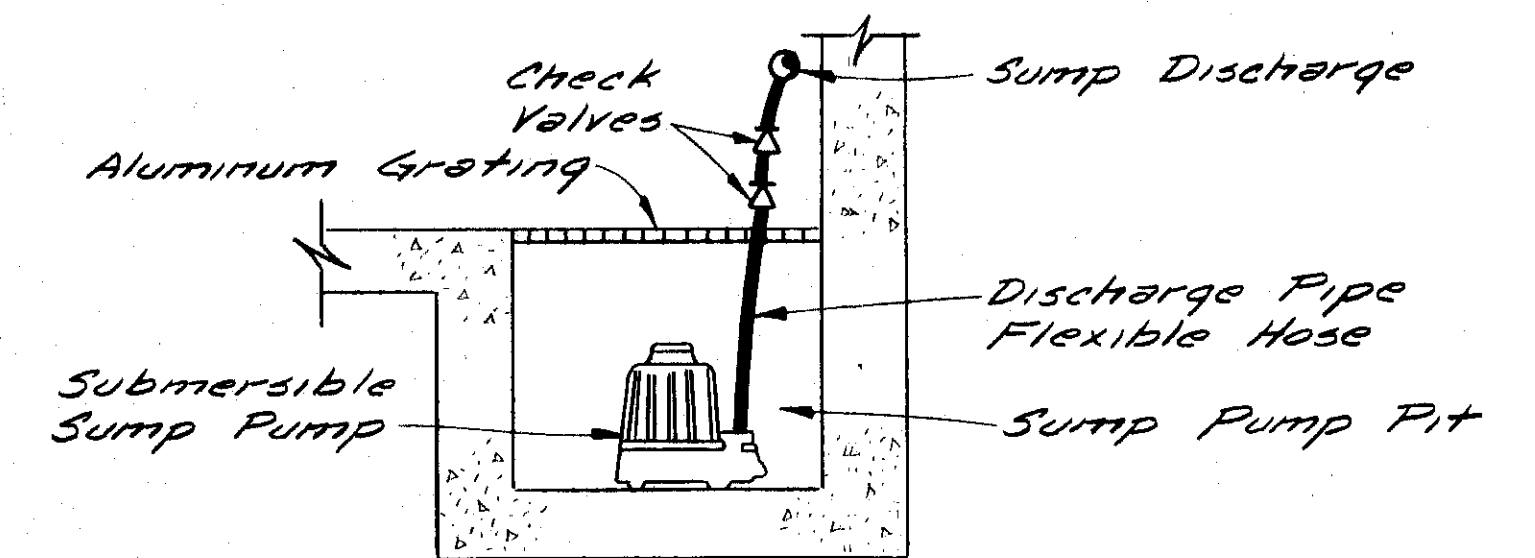
TYPICAL EQUIPMENT ANCHOR BOLT DETAIL
No Scale



DECK HYDRANT DETAIL
N.T.S.



TYPICAL CONNECTION DETAIL FOR INDICATING PRESSURE SWITCH & PRESSURE GAUGE WITH DIAPHRAGM
No Scale



SUBMERSIBLE SUMP PUMP DETAIL
No Scale

DESIGNED BY: O'BRIEN & GERE
To the best of our knowledge, the information shown on these records is true and correct. These records are not to be construed as a contract.

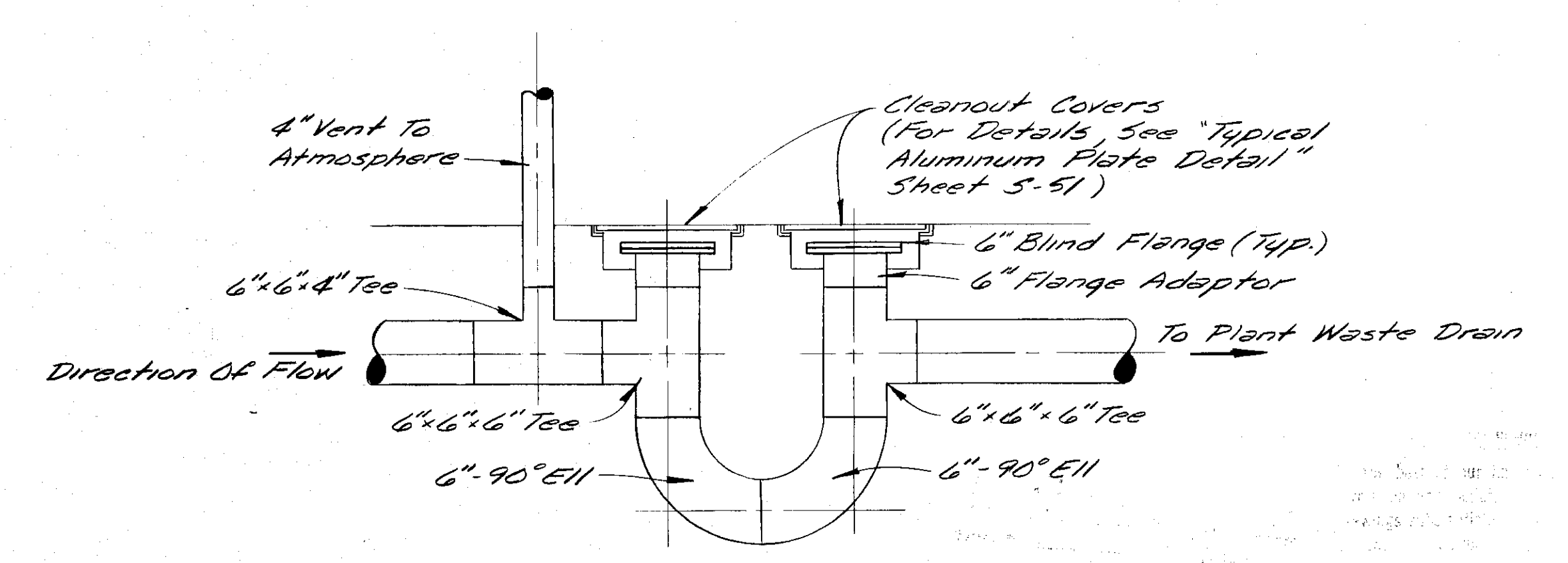
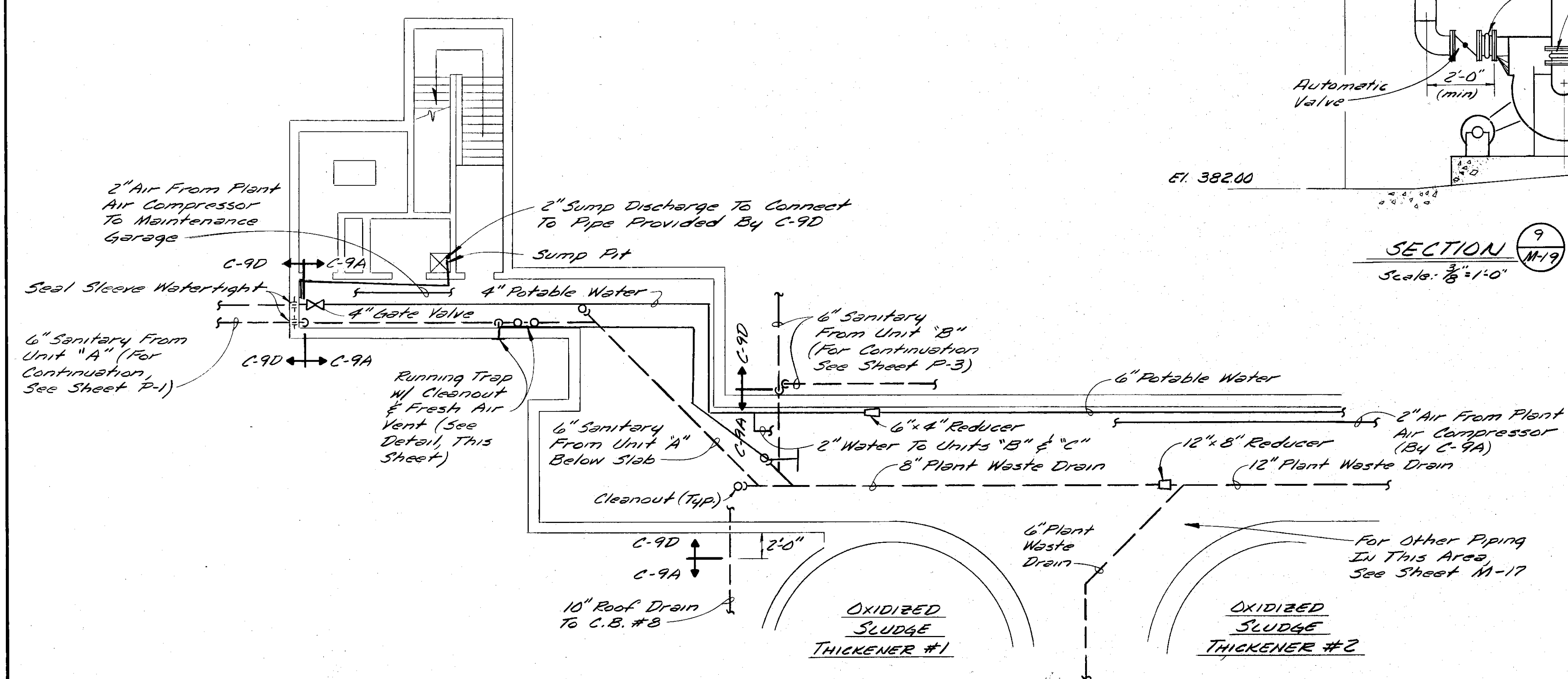
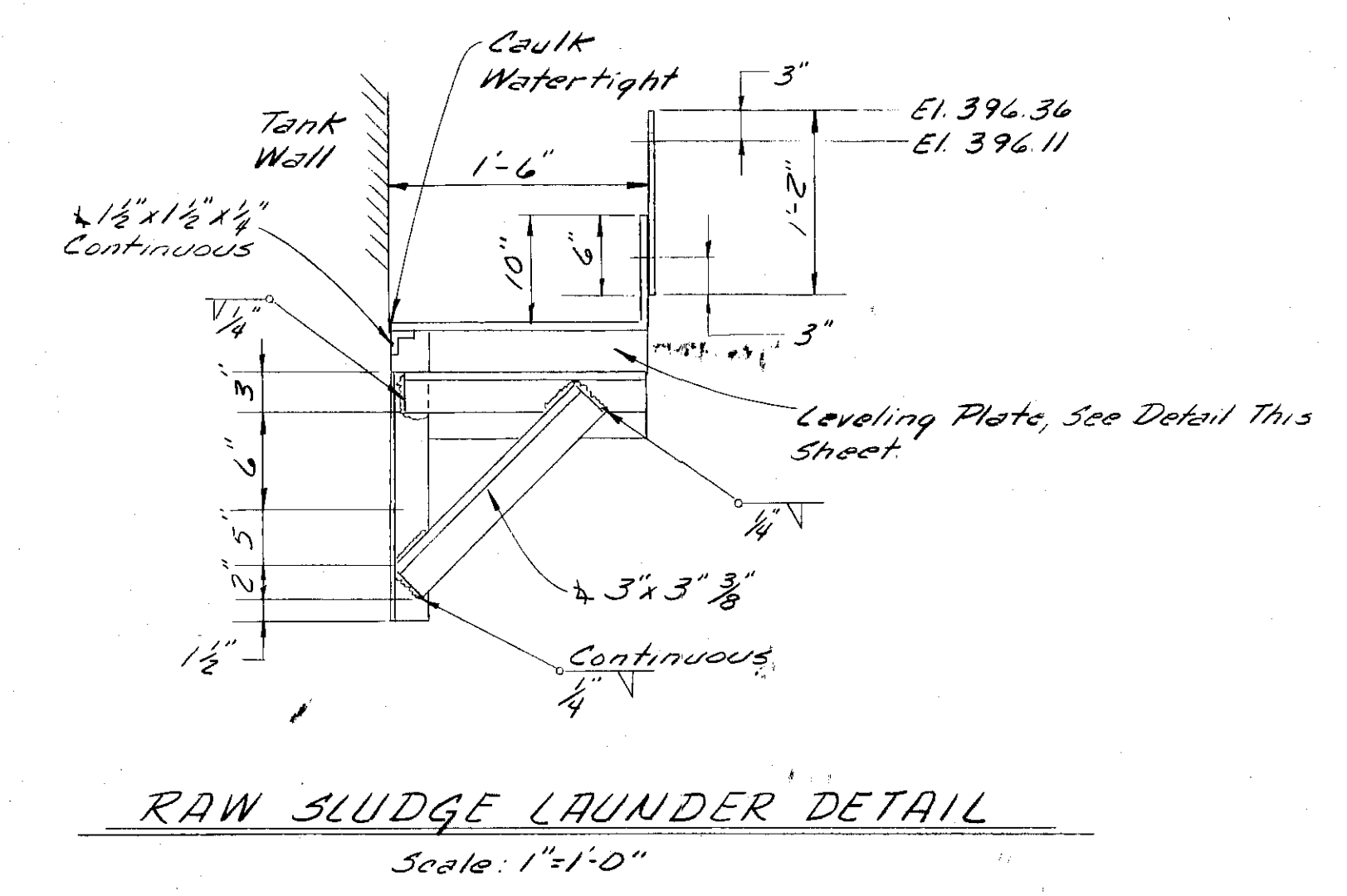
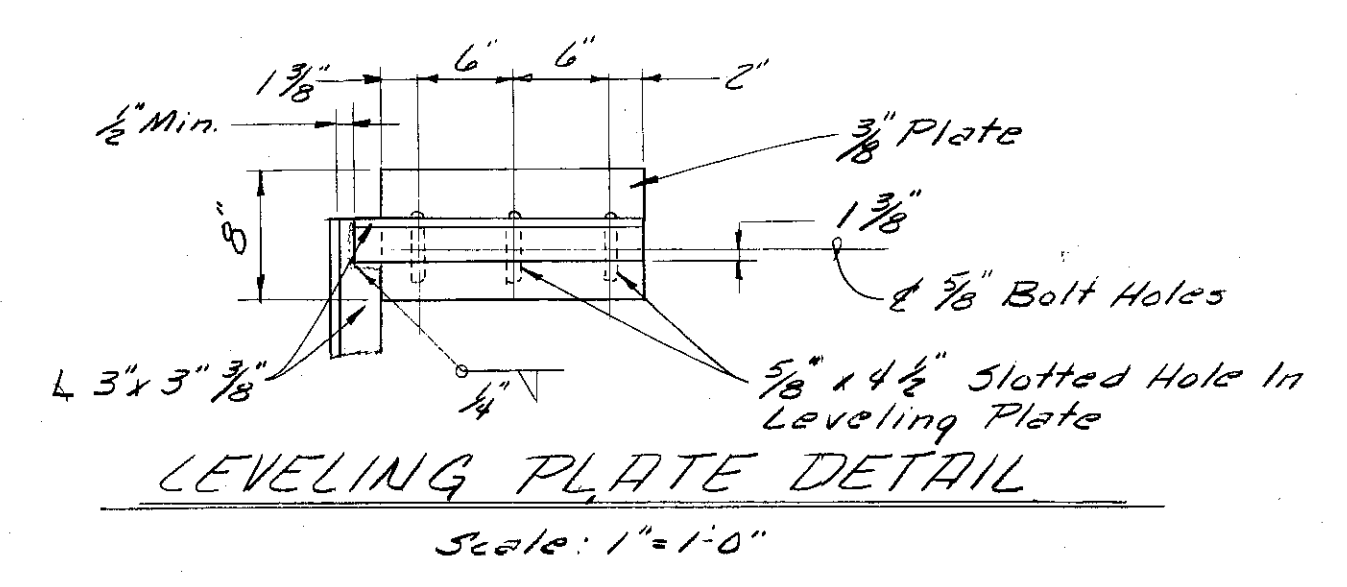
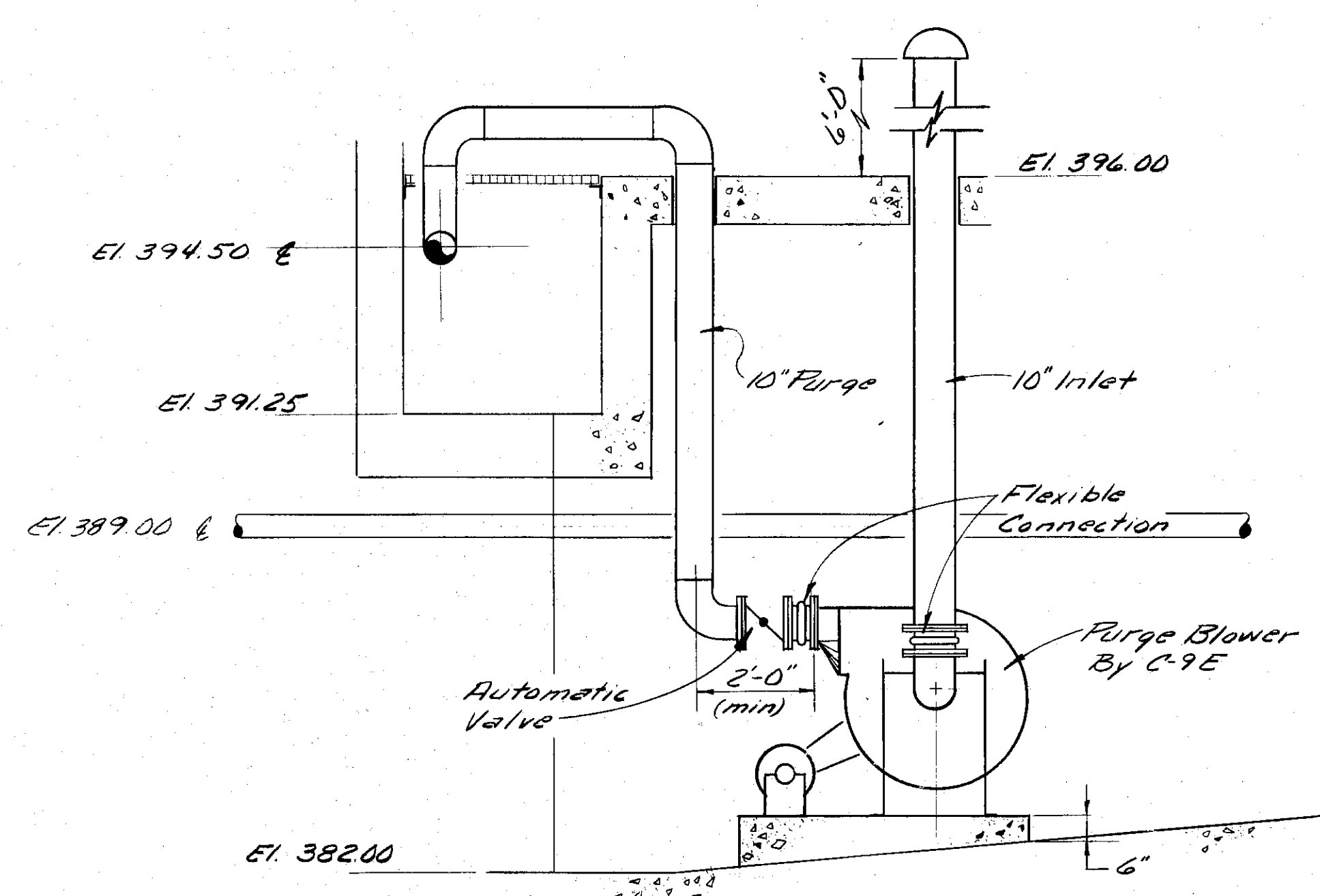
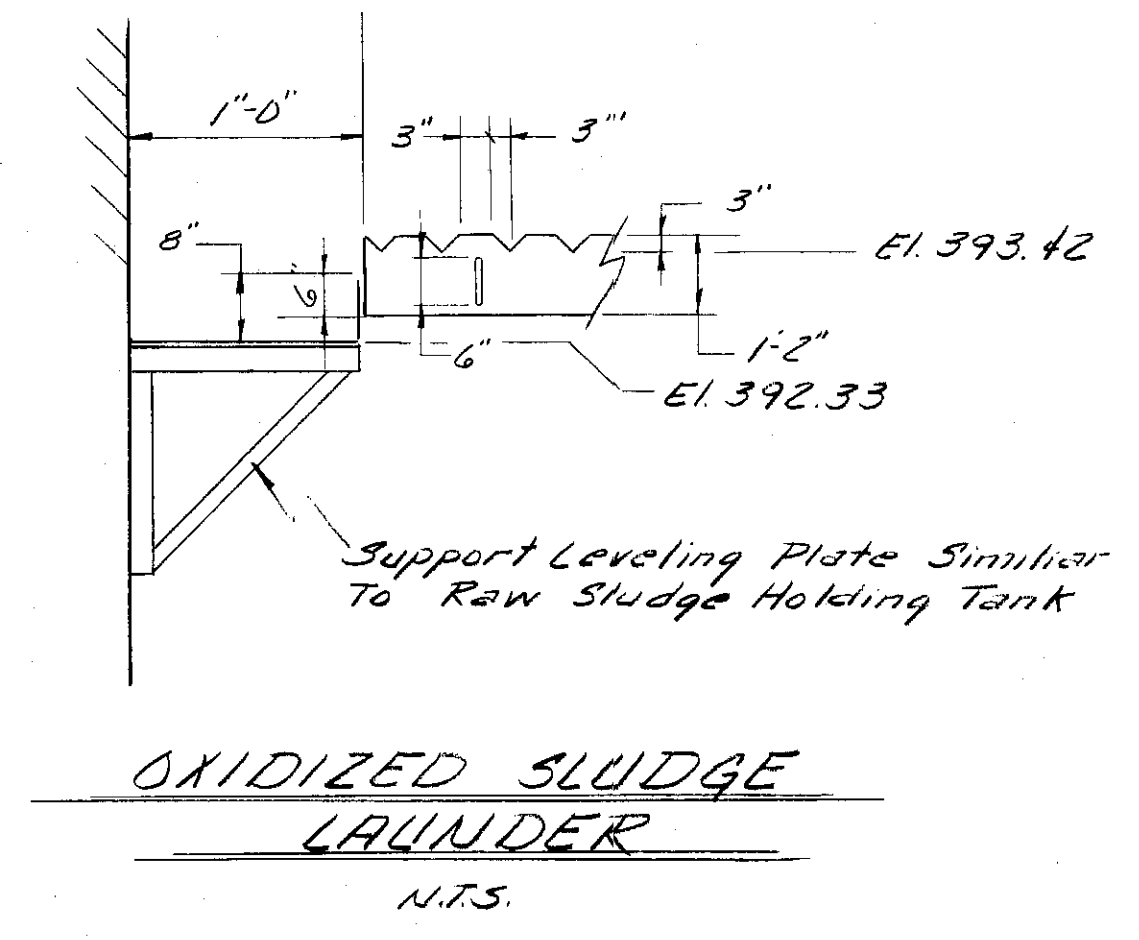
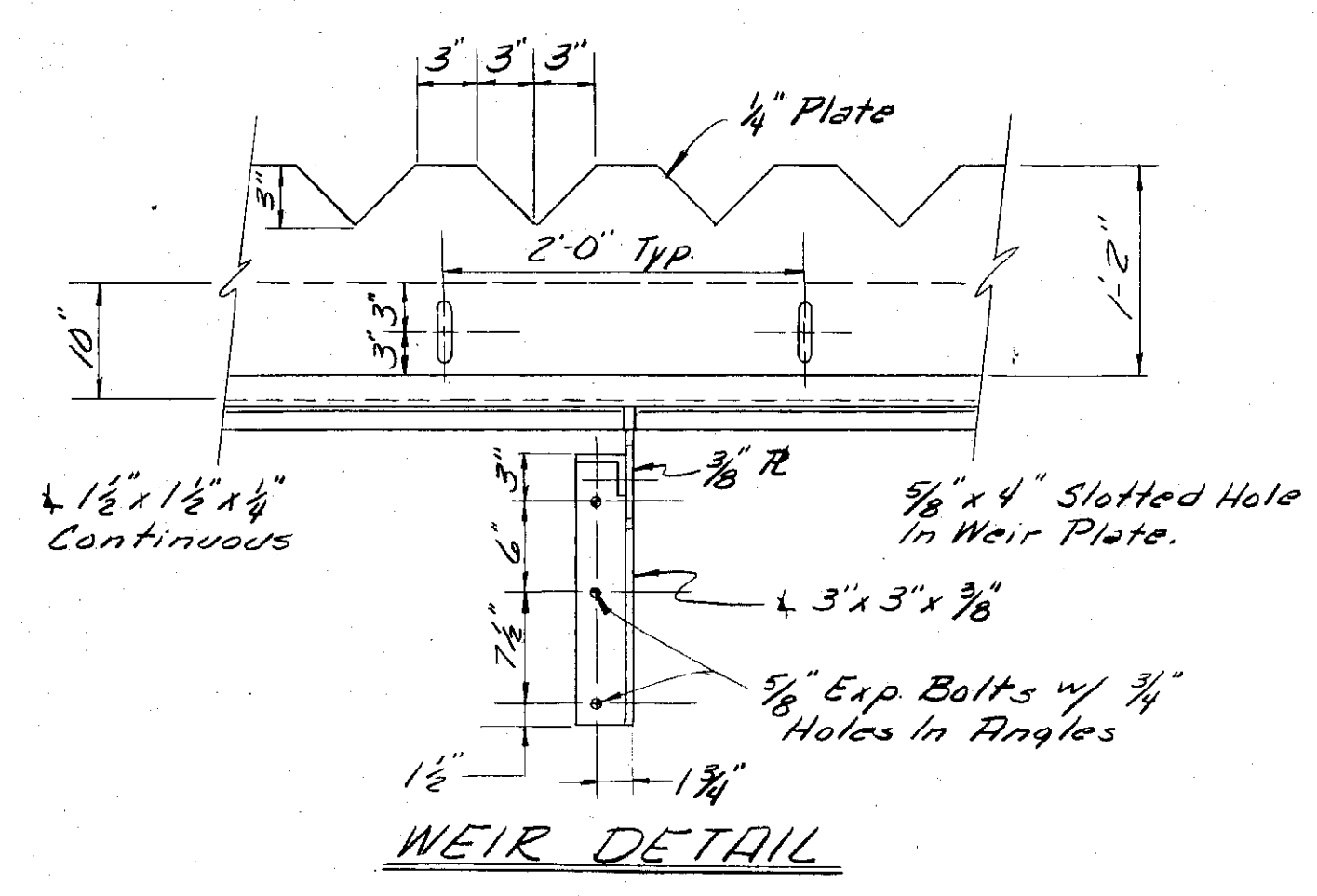
In charge of <u>WDP</u>	NO SCALE	NO.	DATE	REVISION	INIT.
Designed by <u>ASS</u> Checked by <u>WDP</u>					
Made by <u>GBC</u>					
		2/11/78	General Revisions		
	5/11/77	General Revisions			

O'BRIEN & GERE
ENGINEERS, INC.
Syracuse, New York

CLAY SANITARY DISTRICT
OAK ORCHARD SERVICE AREA
OAK ORCHARD WATER POLLUTION CONTROL PLANT

MECHANICAL
MISCELLANEOUS DETAILS

FILE NO.
115.219-
DATE
JULY 1, 1975
M-45



PARTIAL GALLERY PLAN AT UNIT A
No Scale

RUNNING TRAP DETAIL
No Scale

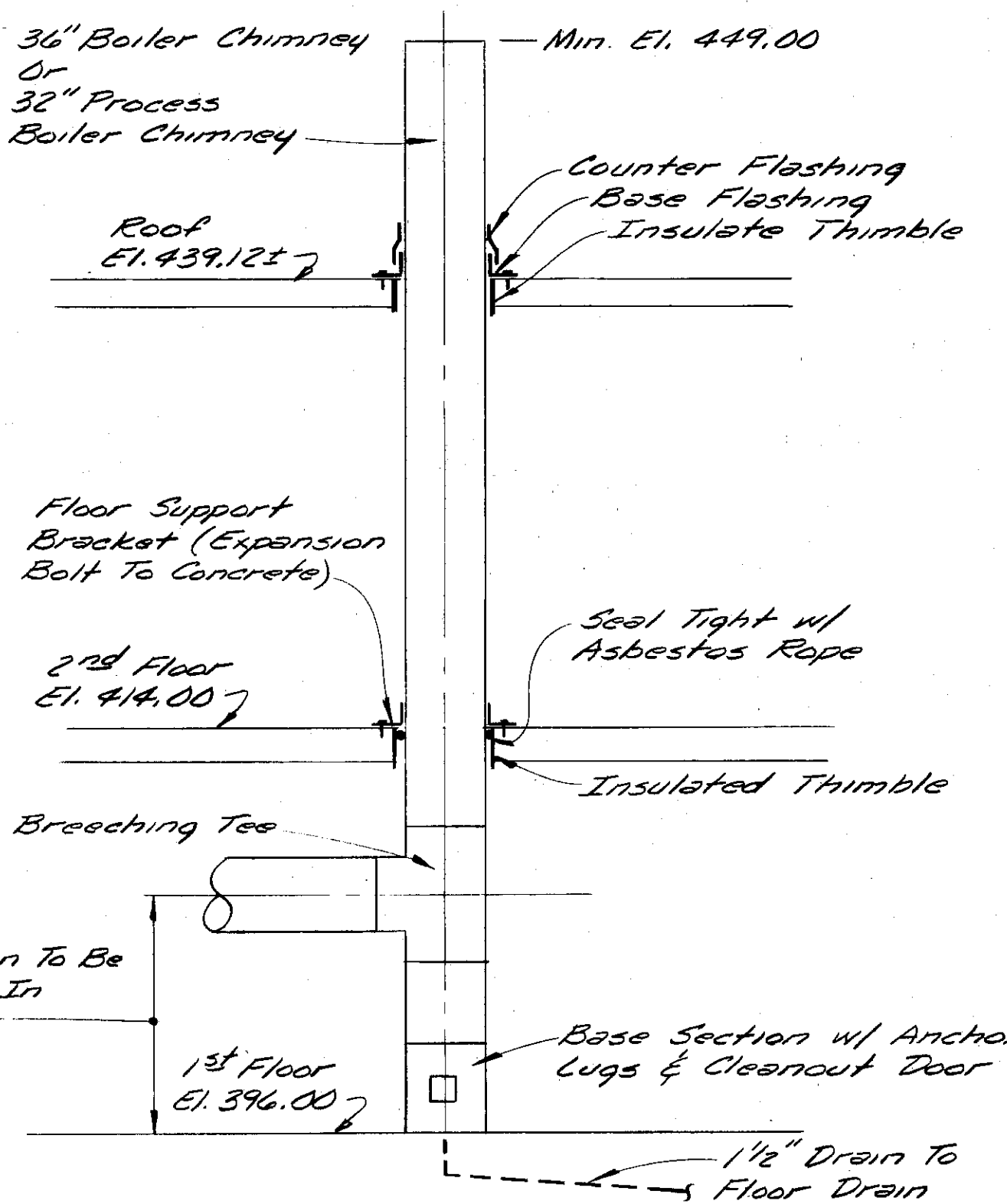
NO.	DATE	REVISION	INIT.
1/1/78		General Revisions	
5/1/77		General Revisions	

O'BRIEN & GERE ENGINEERS, INC.
Syracuse, New York

CLAY SANITARY DISTRICT
OAK ORCHARD SERVICE AREA
OAK ORCHARD WATER POLLUTION CONTROL PLANT

GENERAL
MISCELLANEOUS DETAILS

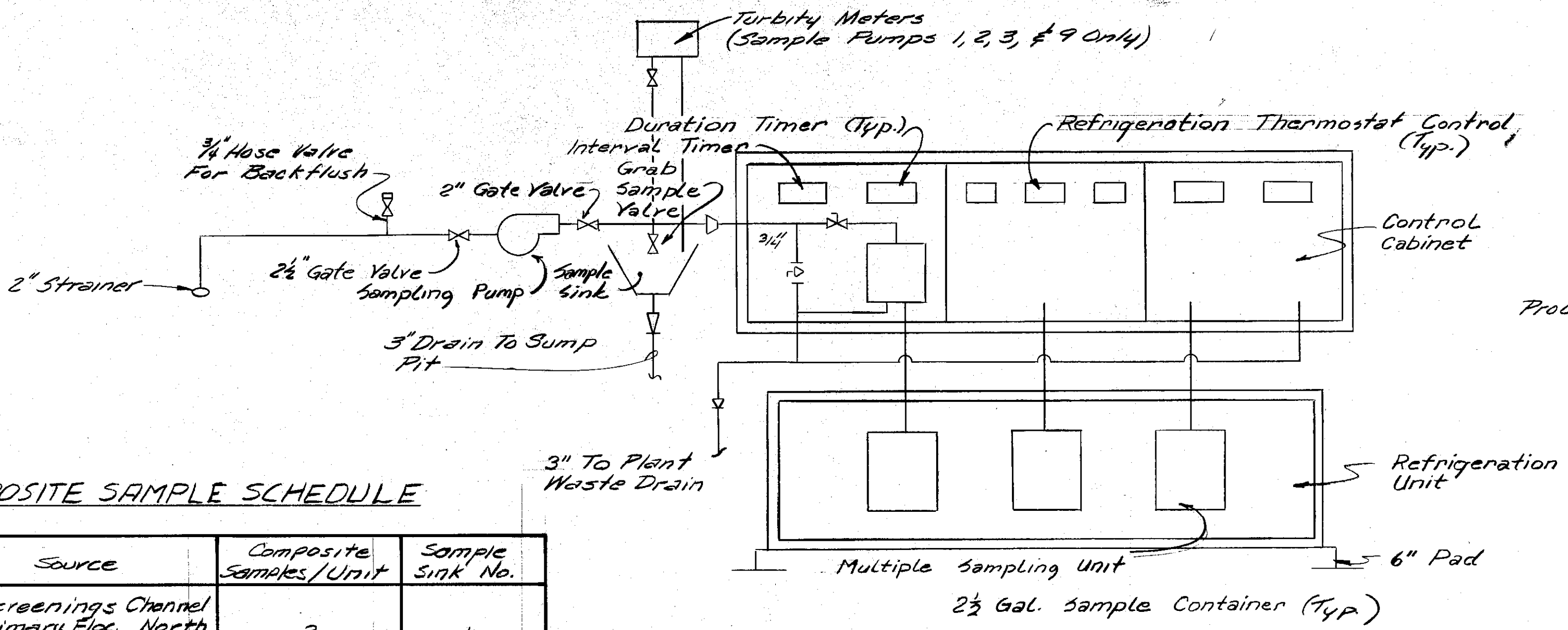
FILE NO. 115.219.212 F	M-46
DATE APRIL, 8, 1977	



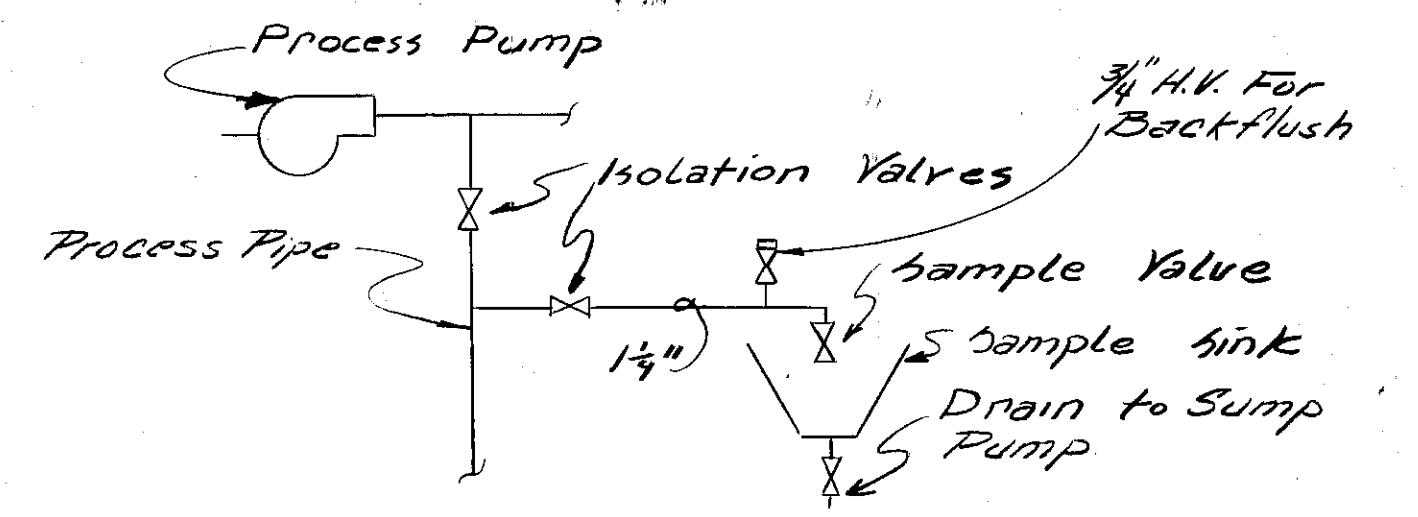
TYPICAL PREFABRICATED CHIMNEY DETAIL
No Scale

COMPOSITE SAMPLE SCHEDULE

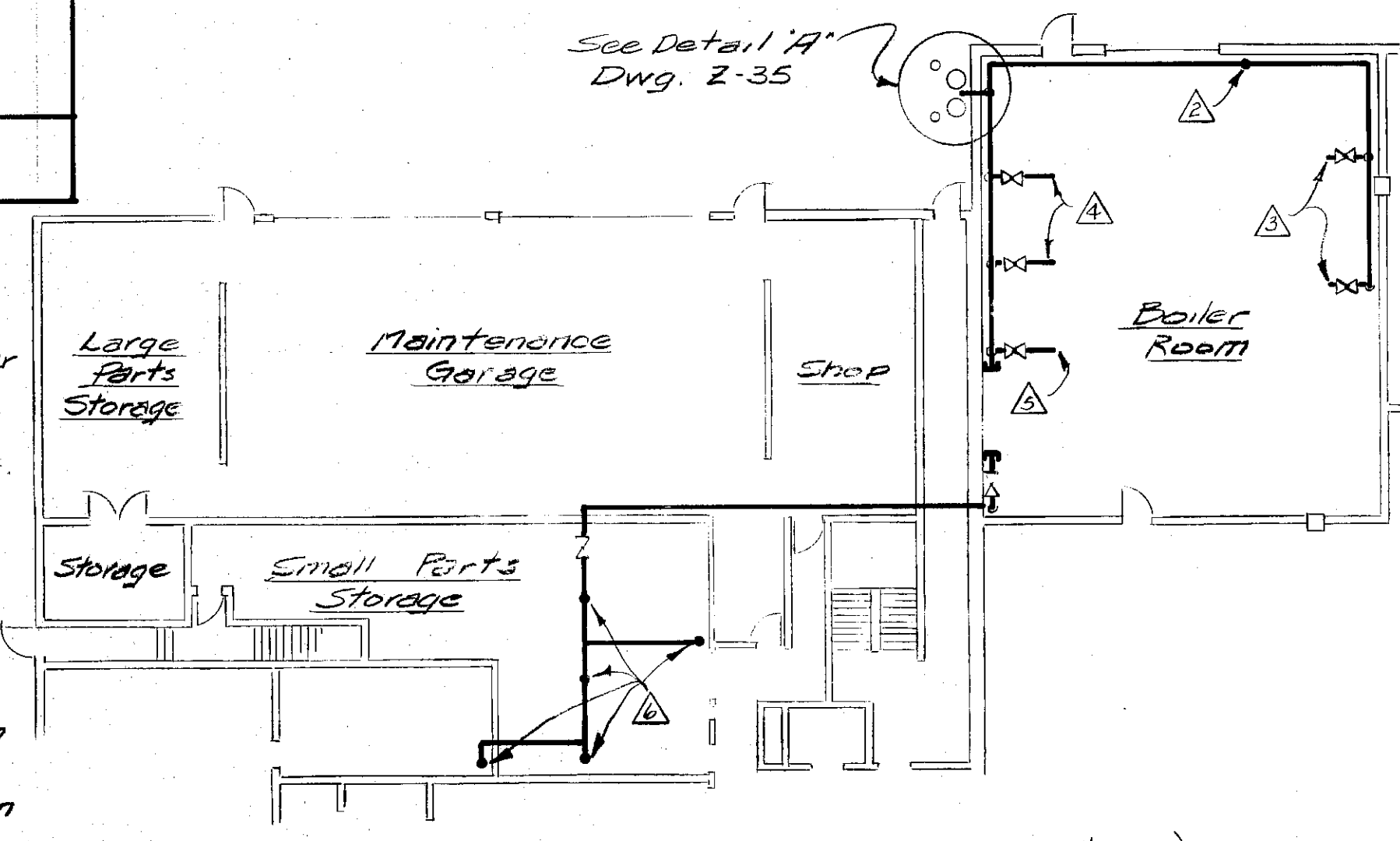
Sampler No.	Source	Composite Samples/Unit	Sample Sink No.
Unit 1	Screenings Channel Primary Floc. North Primary Floc. South	3	1
Unit 2	Aeration Tank #1 Aeration Tank #2	2	2
Unit 3	Influent Force Main Secondary Floc. N. Secondary Floc. S Secondary Effluent	4	3
Unit 4	Chlorine Contact Tank Effluent	1	4



TYPICAL GRAB & COMPOSITE SAMPLE SCHEMATIC



TYP. GRAB SAMPLE SCHEMATIC

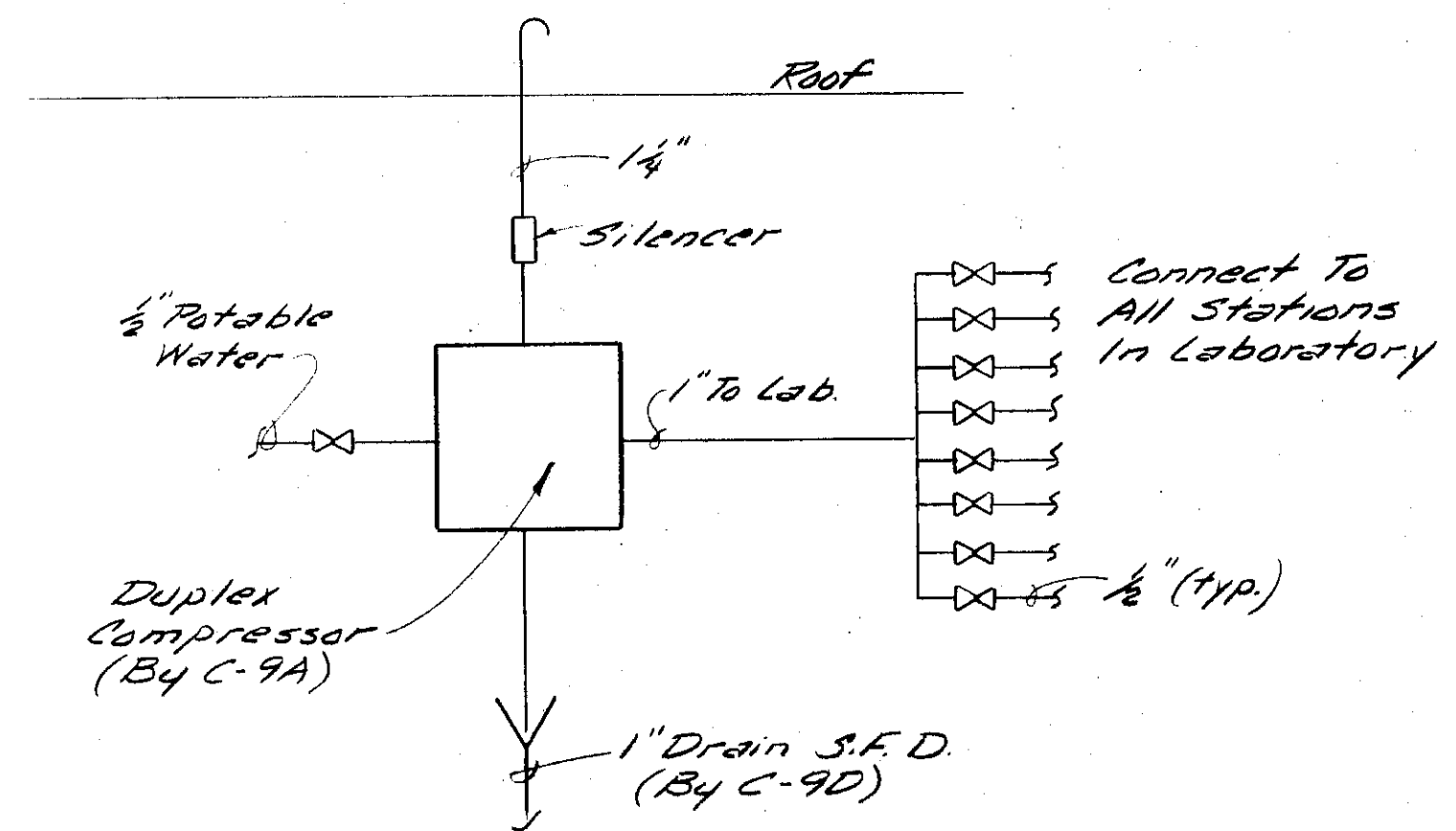


LP GAS MODIFICATION (MOD #31A)

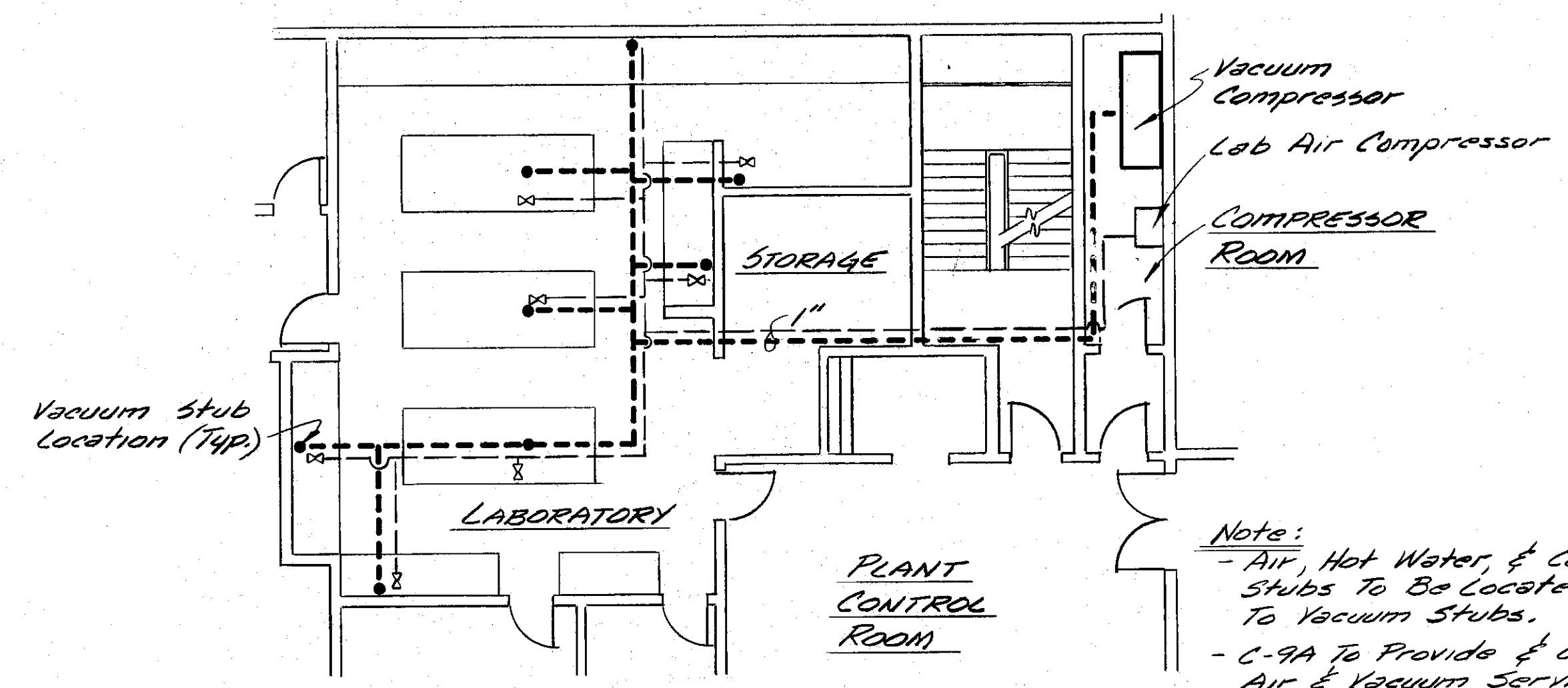
- MOD. 31A NOTES:**
- △ Terminate within 1'-0" OF Final Conn. @ Afterburner Above.
 - △ Term. Within 1'-0" OF Final Conn. @ Domestic Boilers.
 - △ Term. Piping To Within 1'-0" OF Final Conn. @ Process Boilers.
 - △ Term. w/ Stub & Cap for Future Boiler.
 - △ Stub Up To Lab. Above & Complete Conn. To Each Lab Station
 - △ For Further Information See Dwg. Z-35.

GRAB SAMPLE SCHEDULE

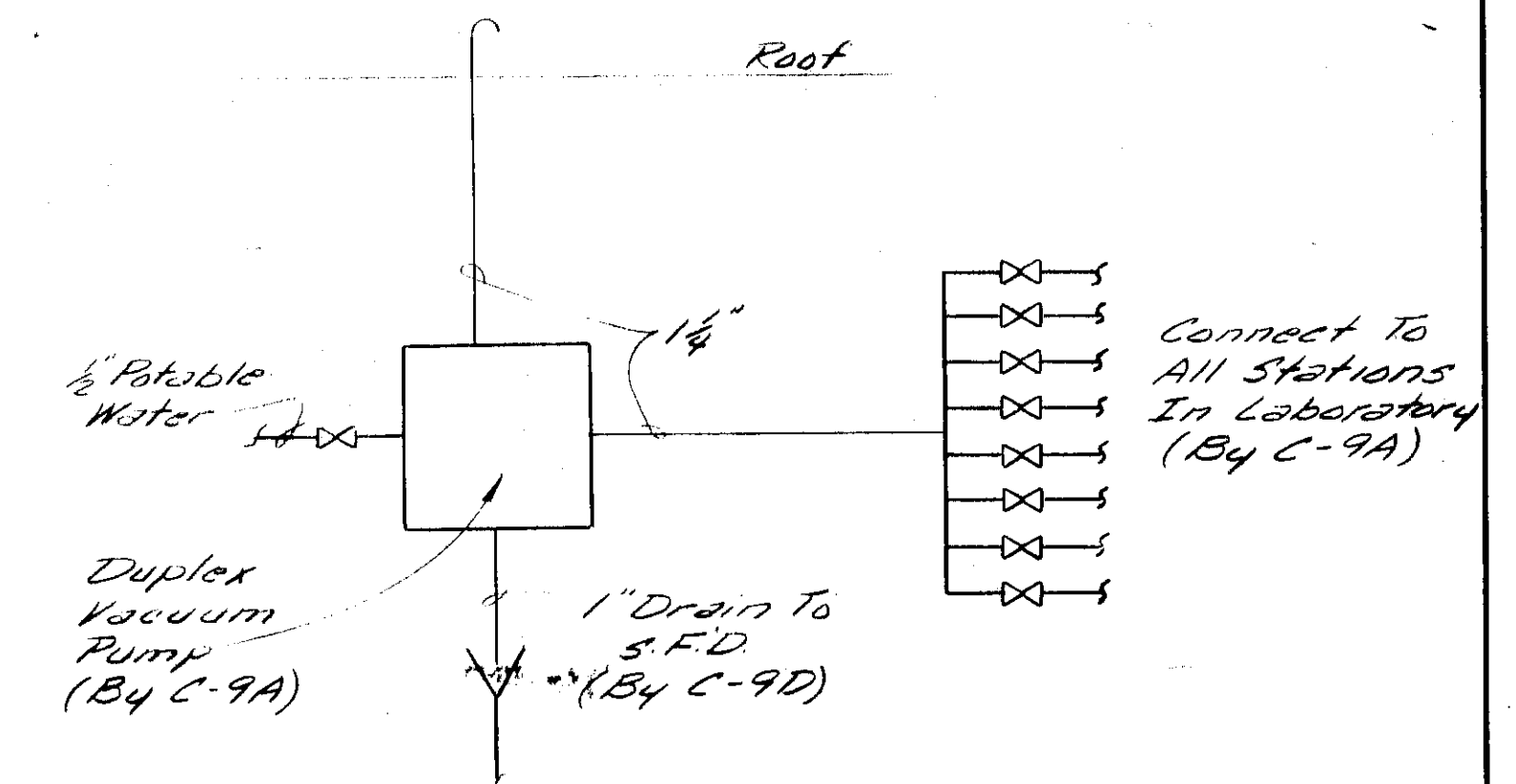
SAMPLE	SOURCE	SAMPLE SINK NO.
Primary Sludge #1	Primary Sludge Pumps	1
Primary Sludge #2	Primary Sludge Pumps	1
Recycle Sludge #1	Recycle Sludge Pumps	2
Recycle Sludge #2	Recycle Sludge Pumps	2
Filtrate	Filtrate Pump	1



LABORATORY COMPRESSED AIR SCHEMATIC
N.T.S.

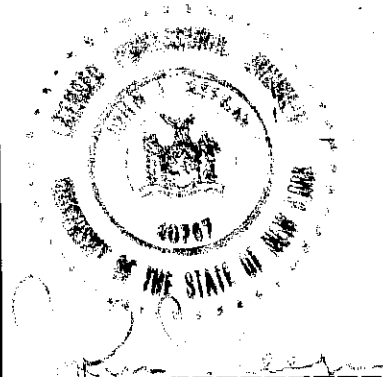


△ DISTRIBUTION PLAN LABORATORY VACUUM SYSTEM
No Scale

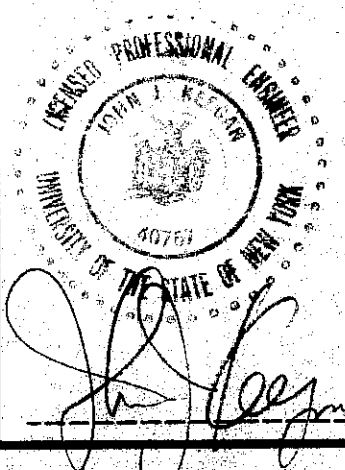
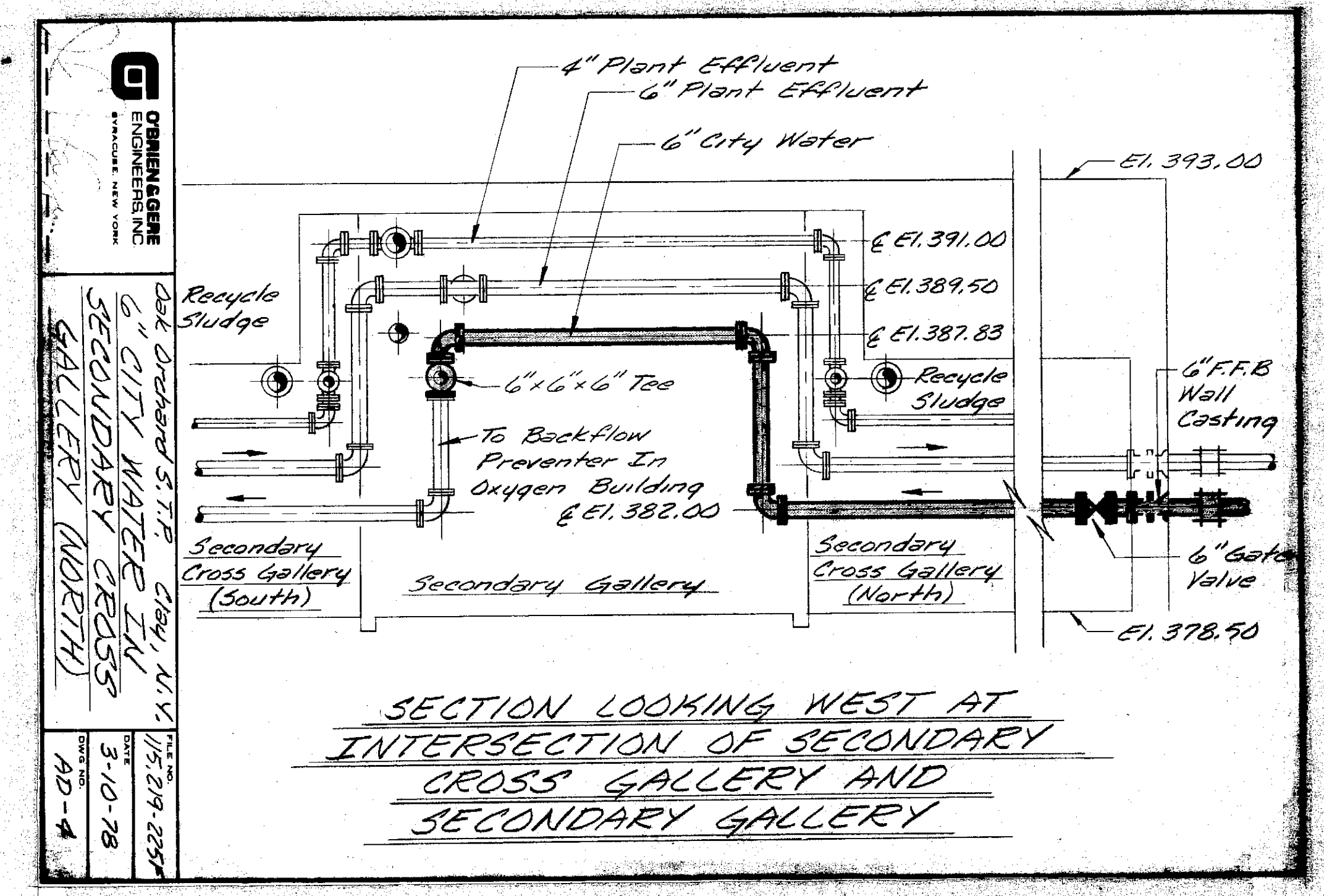
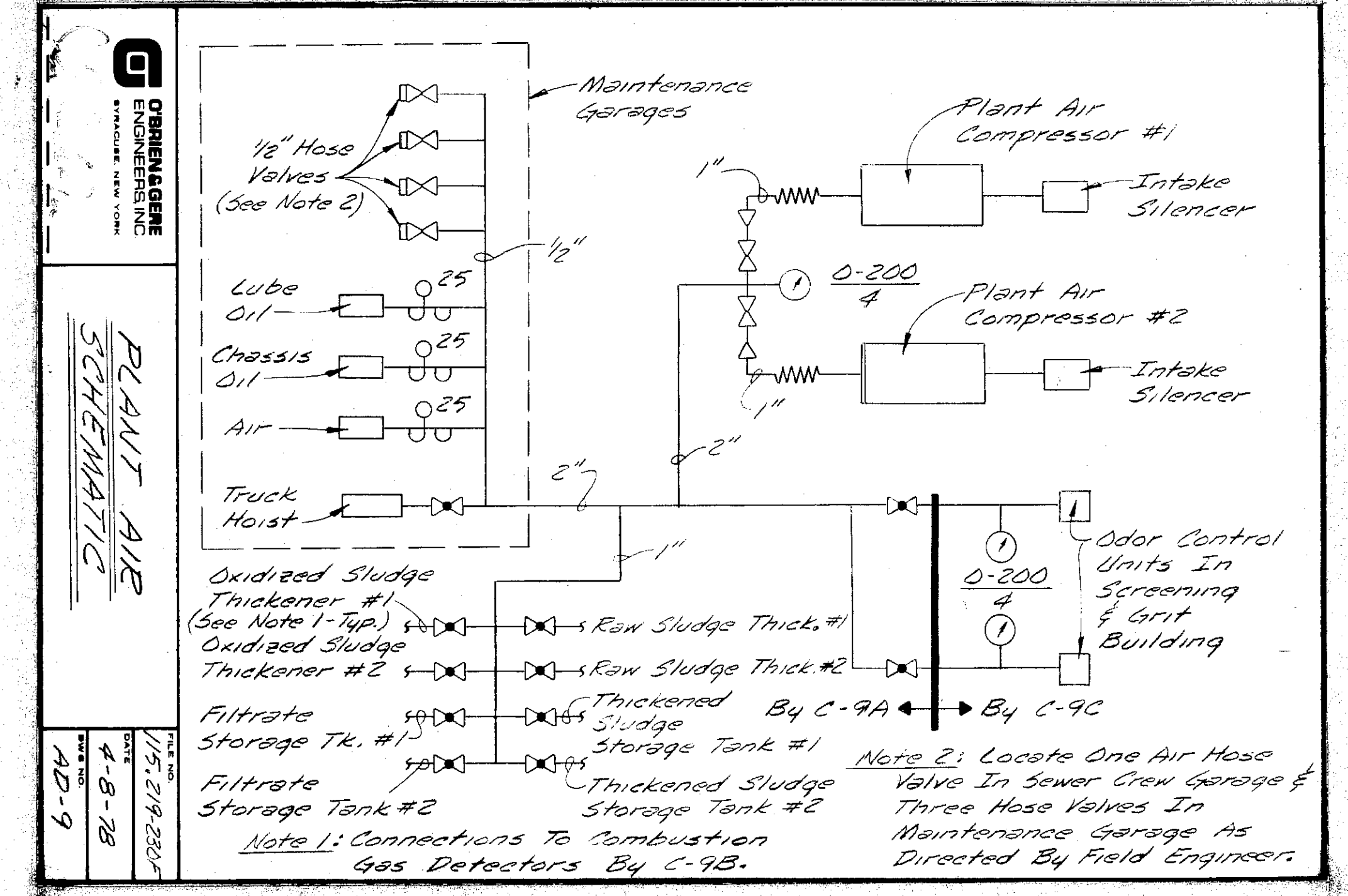
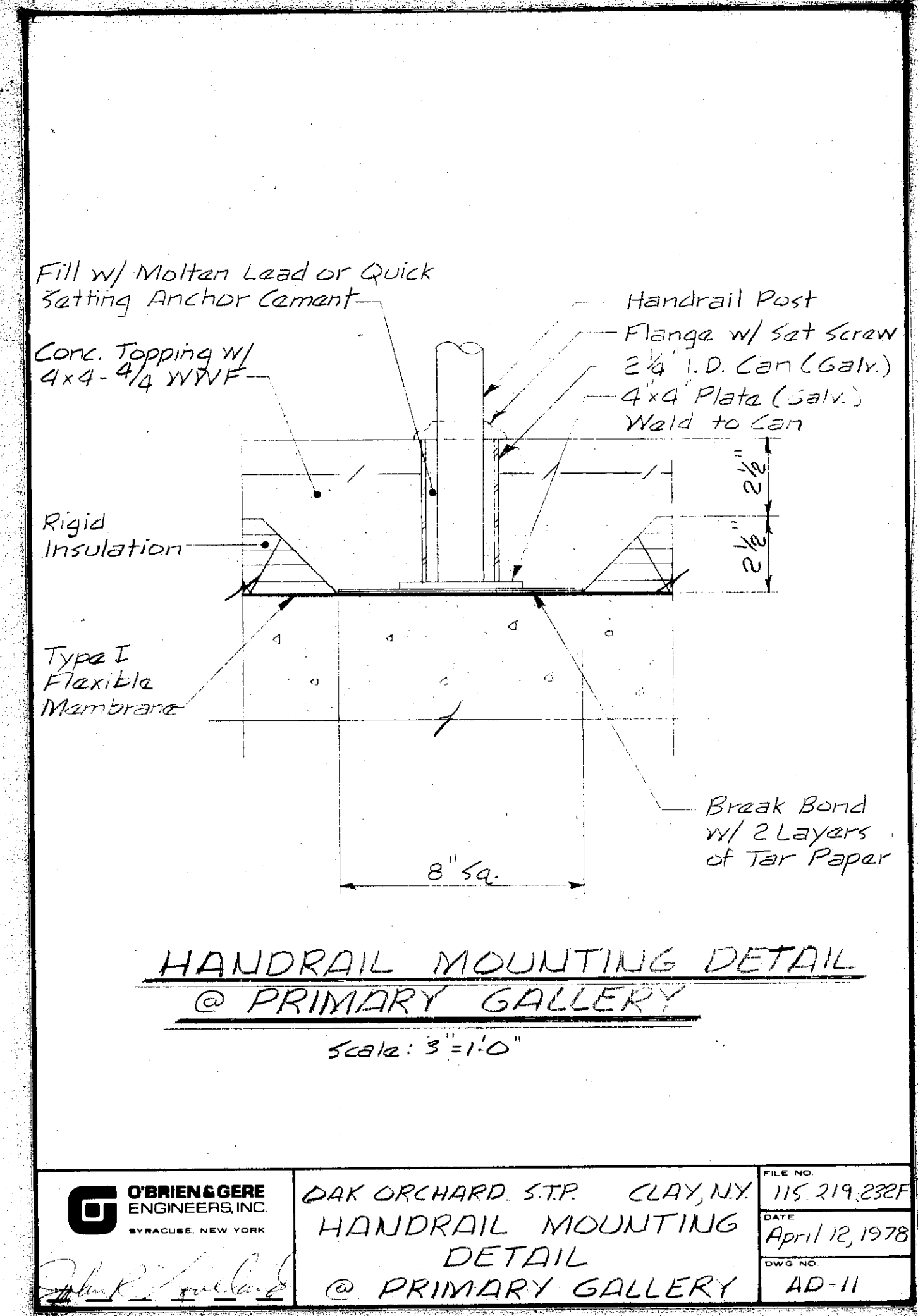
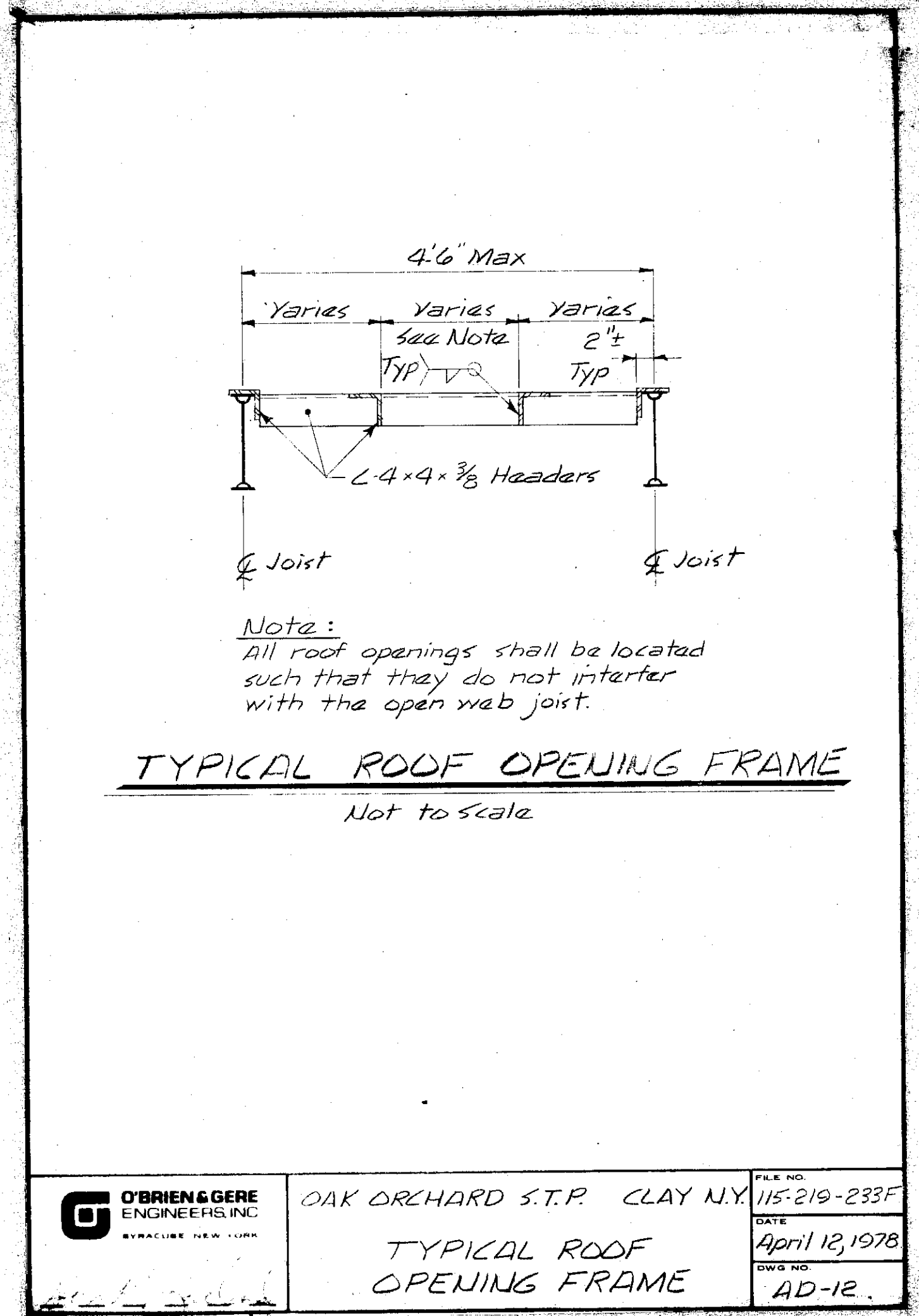


LABORATORY VACUUM SCHEMATIC
No Scale

For Additional Information See Sheets Z-35, RD-23



In charge of <u>WJP</u> Designed by <u>GRM</u> Checked by <u>WJP</u> Made by <u>RRE</u>	<table border="1"> <thead> <tr> <th>NO.</th> <th>DATE</th> <th>REVISION</th> <th>INIT.</th> </tr> </thead> <tbody> <tr> <td>1/13/76</td> <td></td> <td>General Revisions</td> <td>WJP</td> </tr> <tr> <td>5/1/77</td> <td></td> <td>General Revisions</td> <td>WJP</td> </tr> <tr> <td>4/15/78</td> <td></td> <td>ADDED LABORATORY VACUUM IMPROVEMENTS</td> <td>WJP</td> </tr> </tbody> </table>	NO.	DATE	REVISION	INIT.	1/13/76		General Revisions	WJP	5/1/77		General Revisions	WJP	4/15/78		ADDED LABORATORY VACUUM IMPROVEMENTS	WJP	O'BRIEN & GERE ENGINEERS, INC. Syracuse, New York	CLAY SANITARY DISTRICT OAK ORCHARD SERVICE AREA OAK ORCHARD WATER POLLUTION CONTROL PLANT	MECHANICAL MISCELLANEOUS DETAILS	FILE NO. 115.219-095F DATE JULY 1, 1975	M-47
NO.	DATE	REVISION	INIT.																			
1/13/76		General Revisions	WJP																			
5/1/77		General Revisions	WJP																			
4/15/78		ADDED LABORATORY VACUUM IMPROVEMENTS	WJP																			



In charge of *[Signature]*
Designed by *[Signature]* Checked by *[Signature]*
Made by *[Signature]*

SCALE: AS SHOWN

NO.	DATE	REVISION	INIT.

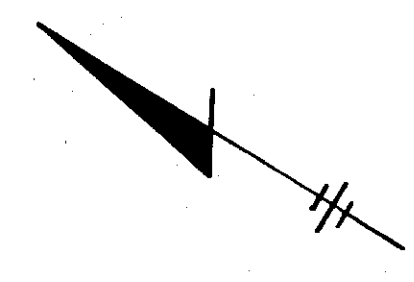
O'BRIEN & GERE ENGINEERS, INC.
SYRACUSE, NEW YORK

CLAY SANITARY DISTRICT
OAK ORCHARD SERVICE AREA
OAK ORCHARD WATER POLLUTION CONTROL PLANT

RECORD DRAWING
MISCELLANEOUS DRAWINGS
AD-4, AD-9, AD-11 & AD-12

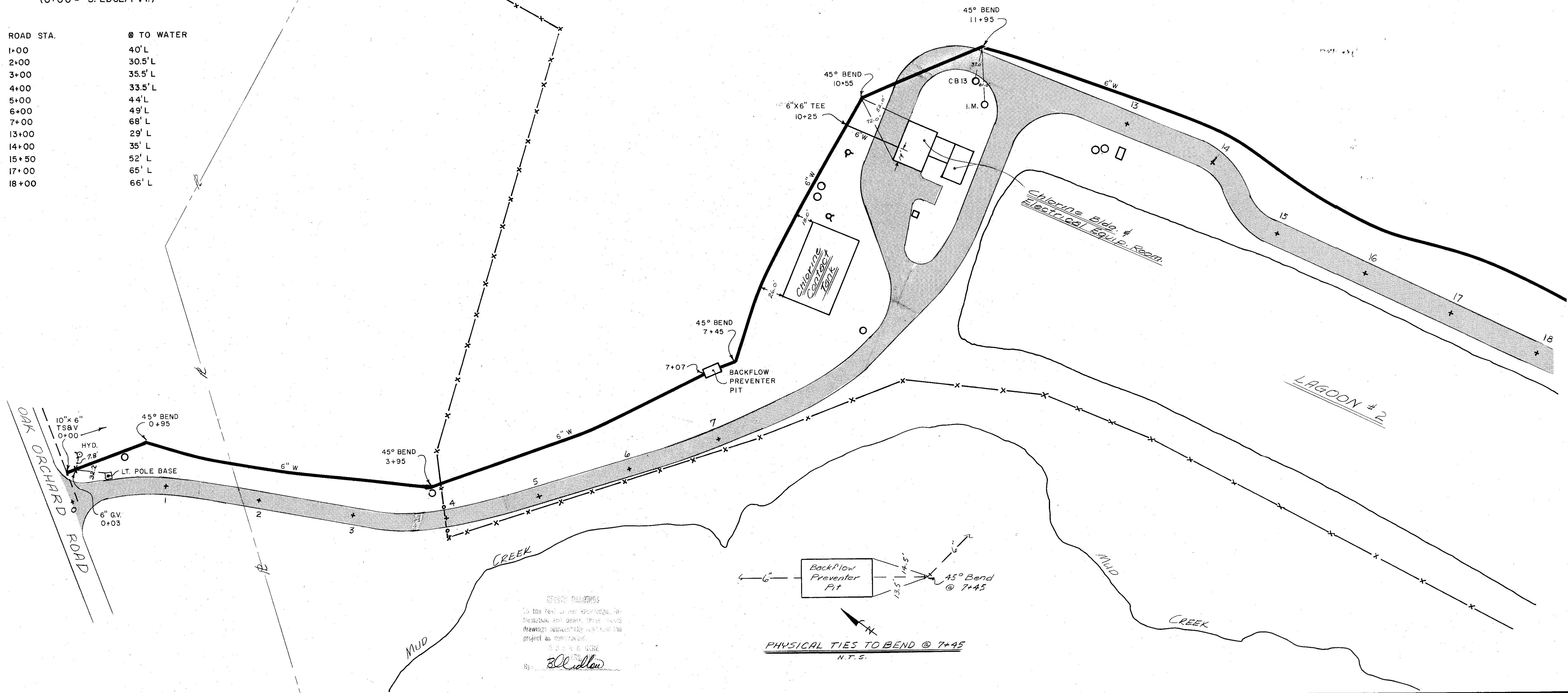
FILE NO. 115.219-385RD
DATE JUNE 12, 1980
RD-1

By: *[Signature]*



DISTANCES FROM C. ROAD TO WATER
(0+00 = S. EDGE/PVT.)

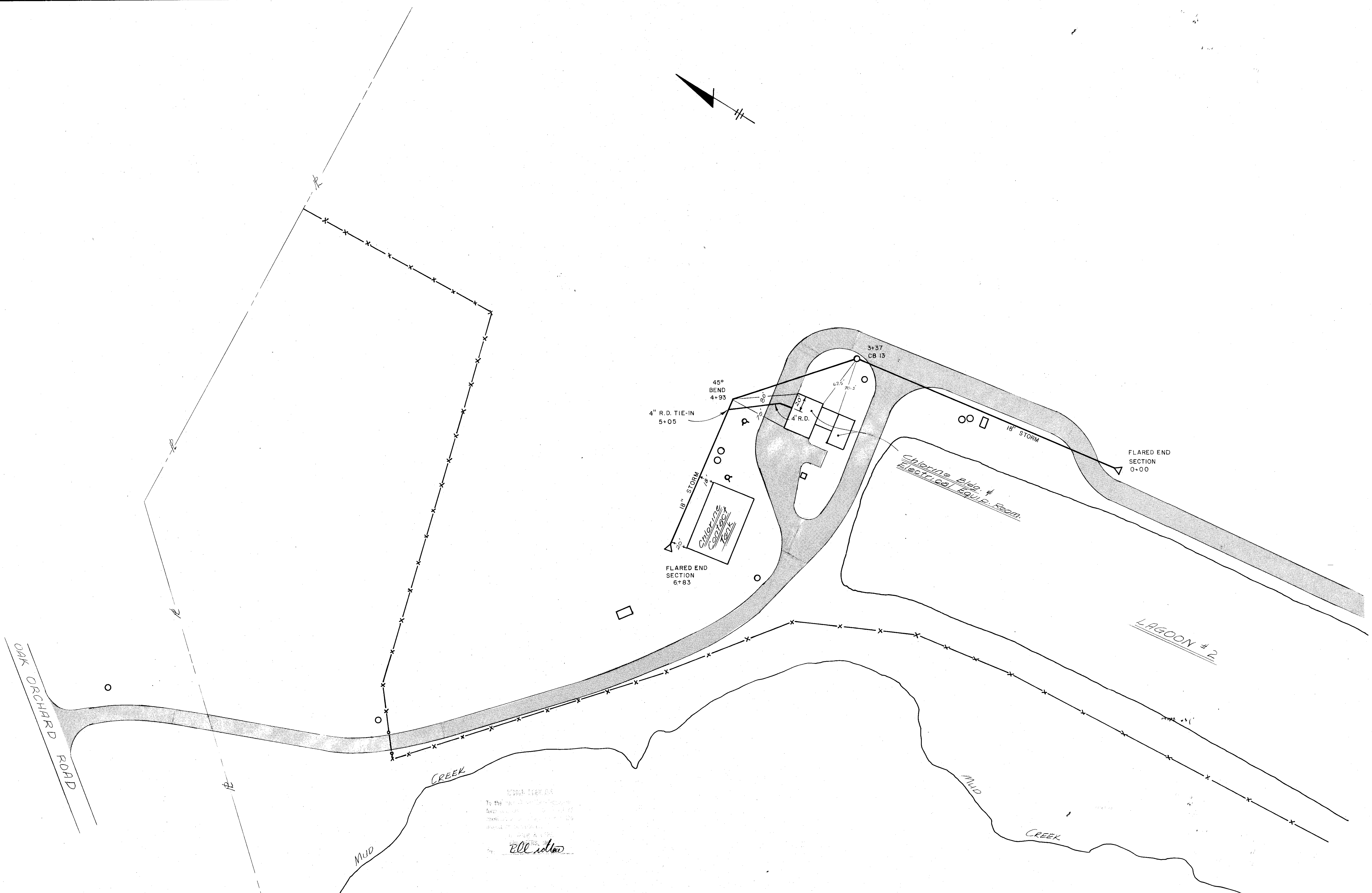
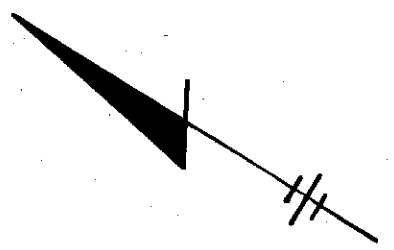
ROAD STA.	Ø TO WATER
1+00	40' L
2+00	30.5' L
3+00	35.5' L
4+00	33.5' L
5+00	44' L
6+00	49' L
7+00	68' L
13+00	29' L
14+00	35' L
15+50	52' L
17+00	65' L
18+00	66' L



DATE: 8/1/80
 BY: B. J. HILL
 O'Brien & Gere
 Syracuse, New York

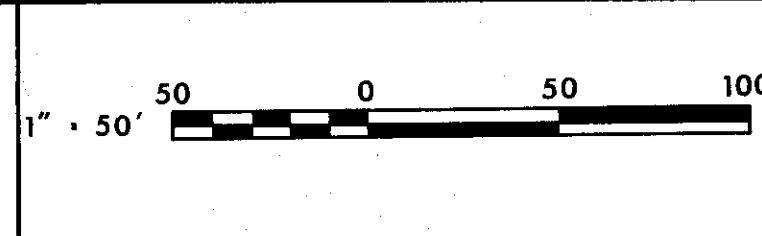
PHYSICAL TIES TO BEND @ 7+45
 N.T.S.

In charge of _____ Designed by <u>D.J.H.</u> Checked by _____ Made by <u>D.J.H.</u>	 1" = 50'	<table border="1" style="width: 100%; border-collapse: collapse;"> <thead> <tr> <th>NO.</th> <th>DATE</th> <th>REVISION</th> <th>INIT.</th> </tr> </thead> <tbody> <tr><td> </td><td> </td><td> </td><td> </td></tr> <tr><td> </td><td> </td><td> </td><td> </td></tr> <tr><td> </td><td> </td><td> </td><td> </td></tr> </tbody> </table>	NO.	DATE	REVISION	INIT.													 O'BRIEN & GERE ENGINEERS, INC. Syracuse, New York	CLAY SANITARY DISTRICT OAK ORCHARD SERVICE AREA OAK ORCHARD WATER POLLUTION CONTROL PLANT	RECORD DRAWING 6" WATER LINE LOCATION	FILE NO. 115.219-389 RD DATE AUGUST, 1980	RD-2
NO.	DATE	REVISION	INIT.																				



APPROVED
To the best of my knowledge and belief, the design and construction of the above project conforms to the requirements of the applicable laws, rules and regulations of the State of New York.
DATE: 8/15/80
BY: *ELL*

In charge of _____
Designed by D.J.H. Checked by _____
Made by D.J.H.



NO.	DATE	REVISION	INIT.

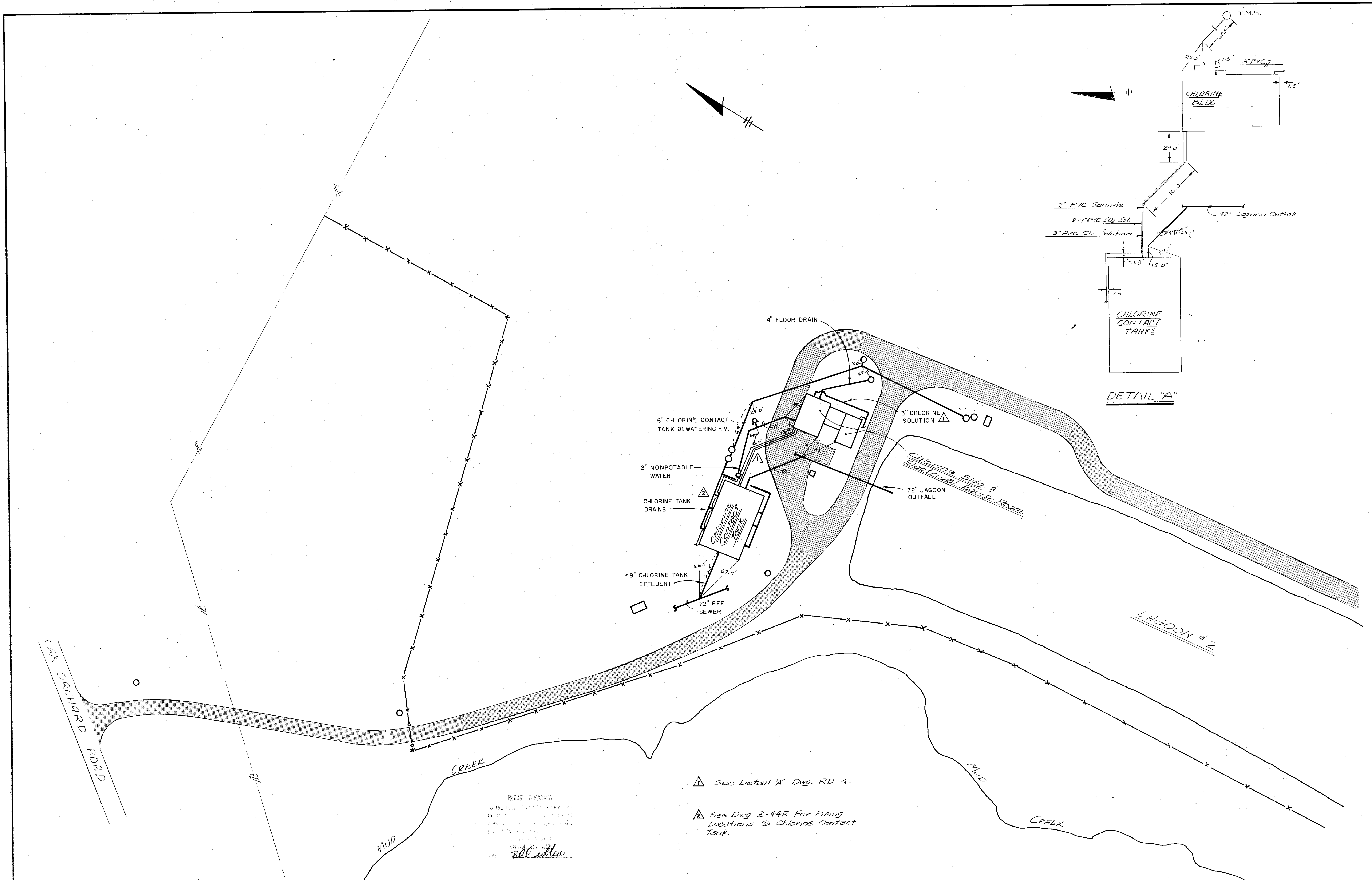
O'BRIEN & GERE
ENGINEERS, INC.
Syracuse, New York

CLAY SANITARY DISTRICT
OAK ORCHARD SERVICE AREA
OAK ORCHARD WATER POLLUTION CONTROL PLANT

RECORD DRAWING
18" STORM SEWER LOCATION

FILE NO.
115.219-390RD
DATE
AUGUST, 1980

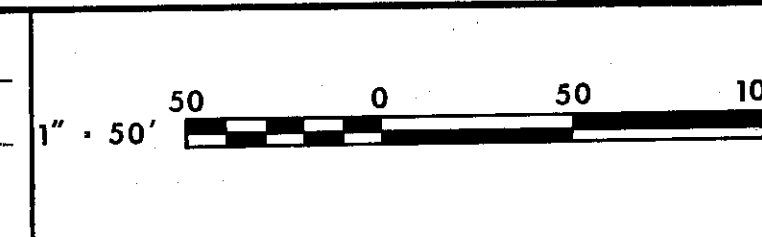
RD-3



RECORD DRAWING
 For the best results, please refer to
 the following specifications and
 drawings. If you have any questions,
 please contact the
 author of this
 drawing.
 Jy: *Bill Adlaw*

- ▲ See Detail "A" Dwg. RD-4.
- ▲ See Dwg Z-44R For Piping Locations @ Chlorine Contact Tank.

In charge of _____
 Designed by _____ Checked by _____
 Made by *D.J.H.*



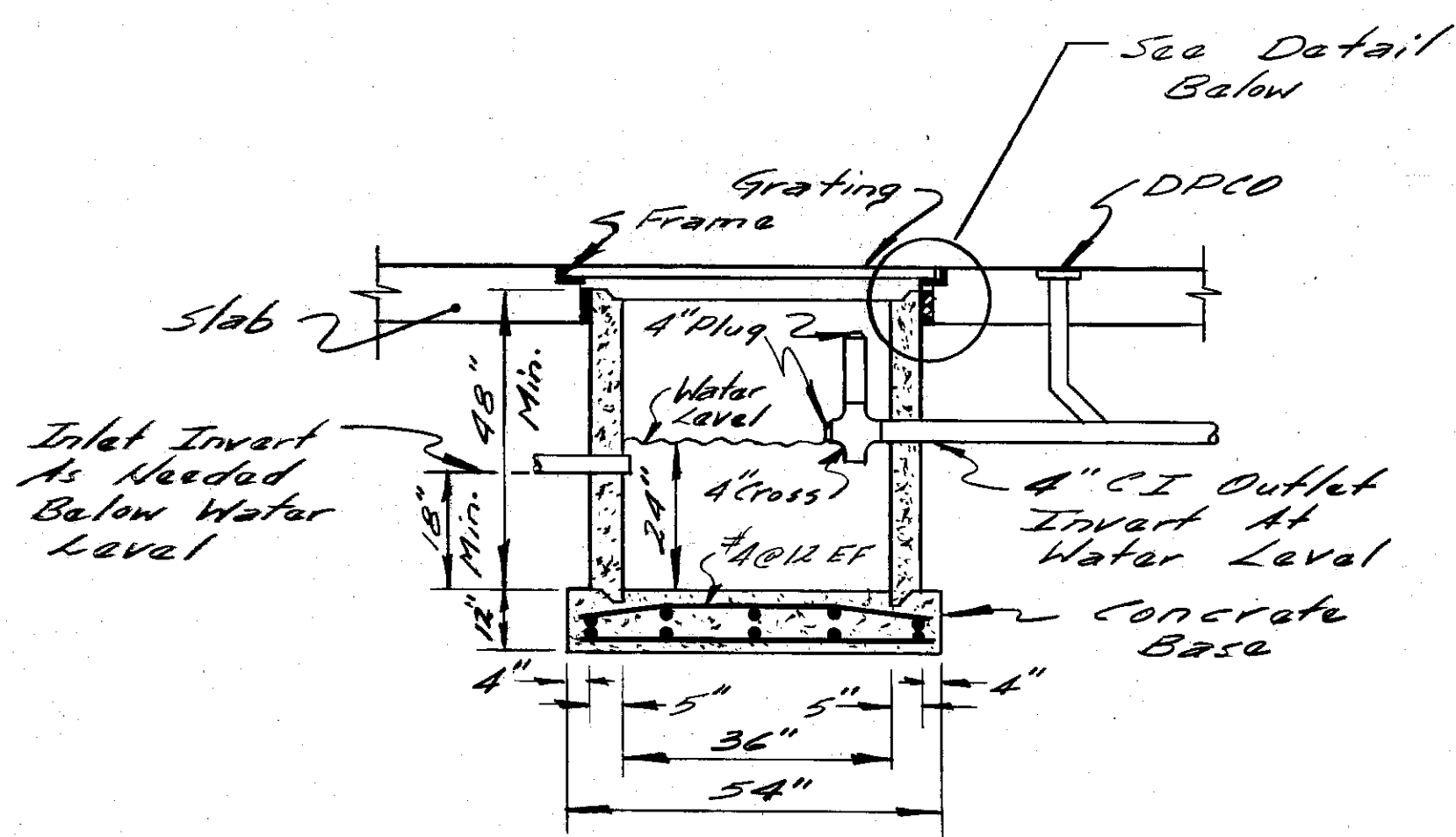
NO.	DATE	REVISION	INIT.

O'BRIEN & GERE
 ENGINEERS, INC.
 Syracuse, New York

CLAY SANITARY DISTRICT
 OAK ORCHARD SERVICE AREA
 OAK ORCHARD WATER POLLUTION CONTROL PLANT

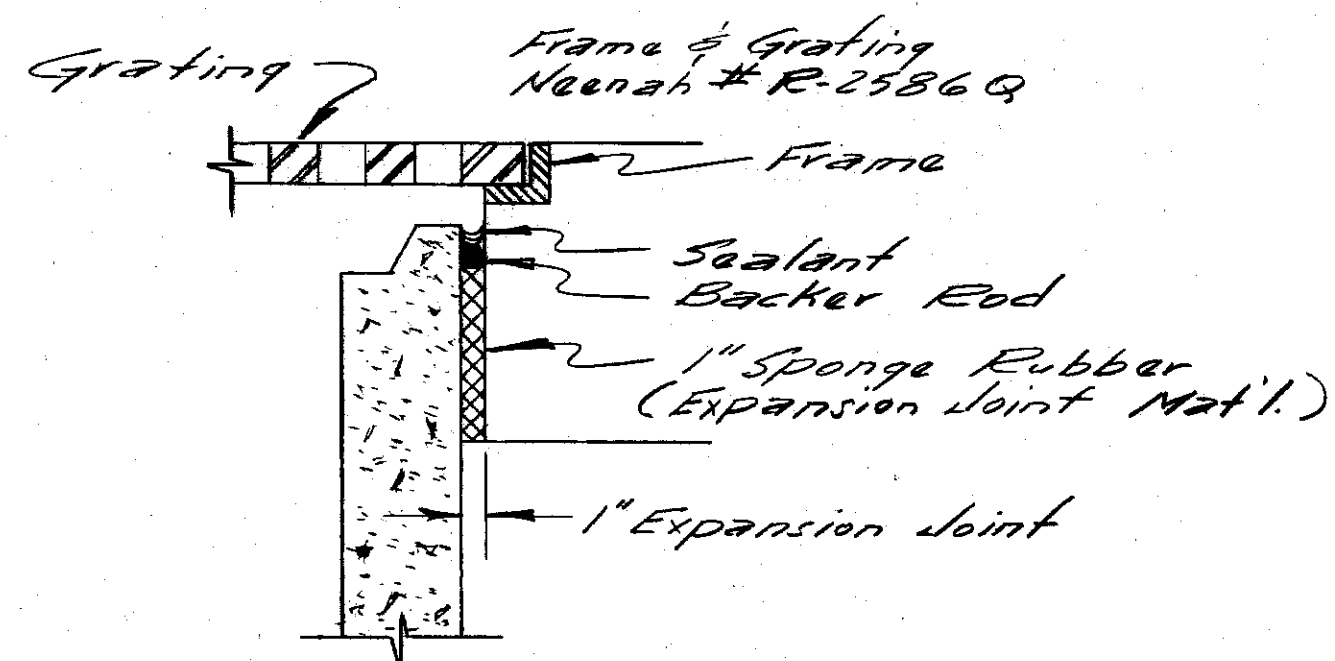
RECORD DRAWING
WASTEWATER & MISC.
PIPING LOCATIONS

FILE NO. 115.219-391RD	RD-4
DATE AUGUST, 1980	



SAND INTERCEPTOR - TYPICAL

Not to Scale

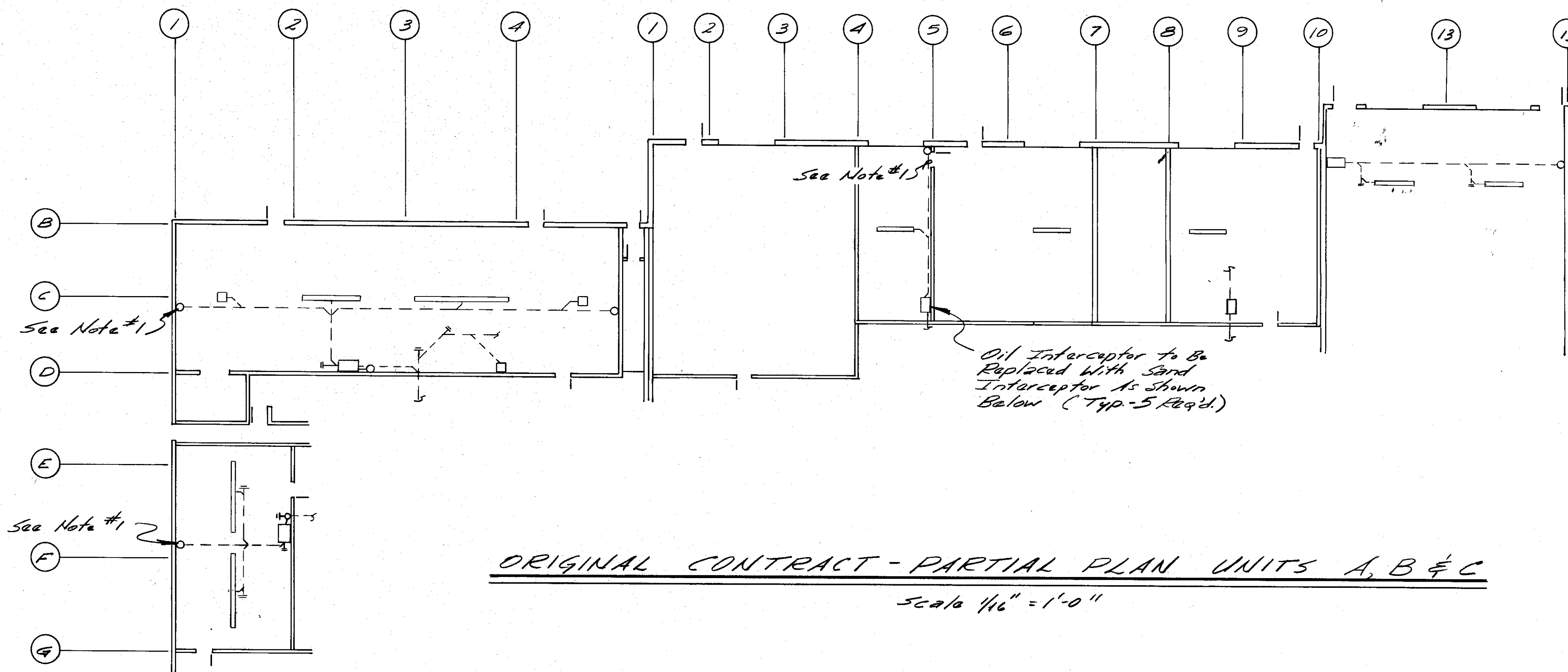


DETAIL

Not to Scale

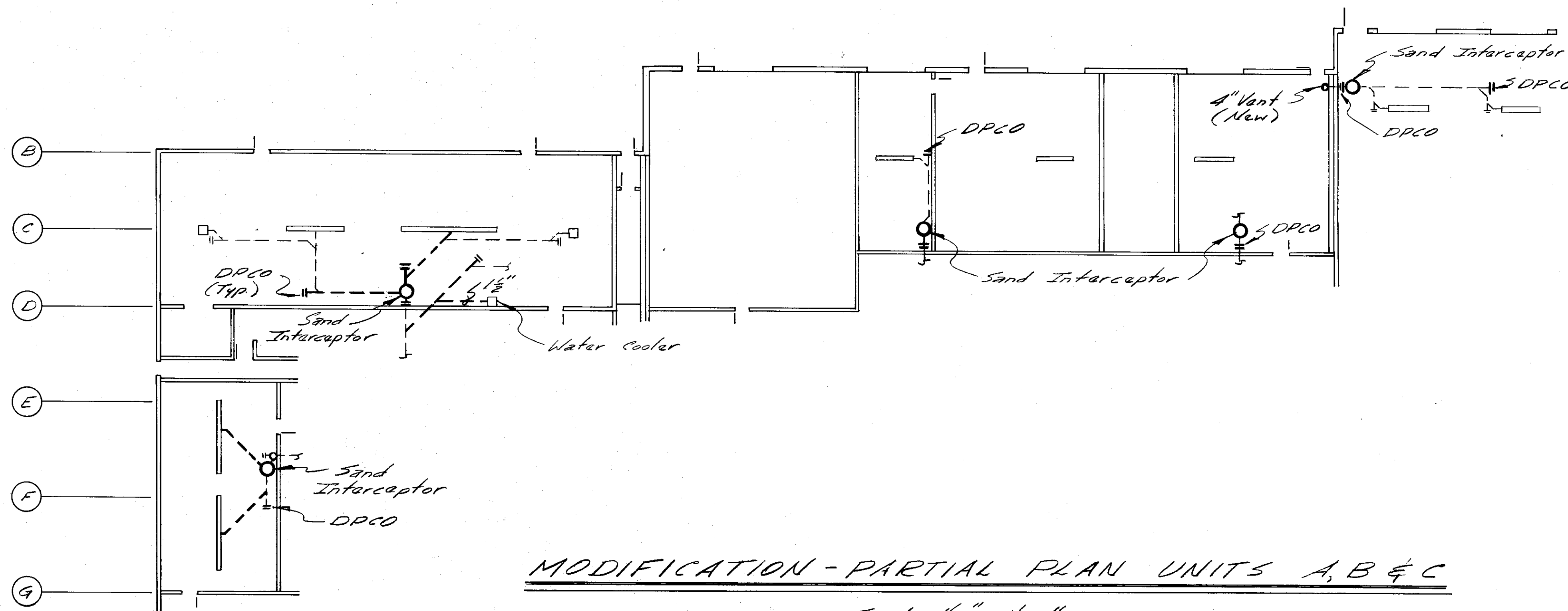
General Notes:

1. 4" Vents As Shown On "Original Contract-Partial Plan" Are No Longer Required in Areas Shown
2. Traps Will Not Be Required For Drains Leading to Sand Interceptors Only.
3. All Oil Interceptors As Shown on "Original Contract-Partial Plan" Are to Be Superseded By Sand Interceptors As Shown on "Modification-Partial Plan."



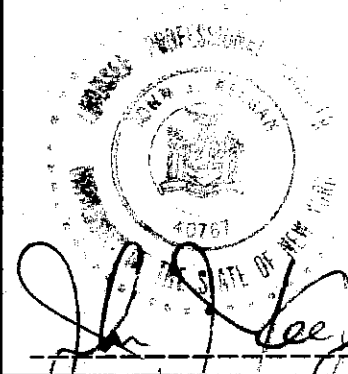
ORIGINAL CONTRACT - PARTIAL PLAN UNITS A, B & C

Scale 1/16" = 1'-0"

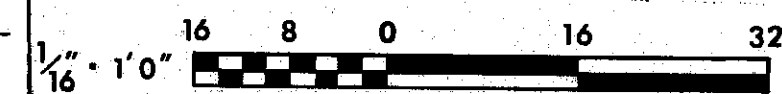


MODIFICATION - PARTIAL PLAN UNITS A, B & C

Scale 1/16" = 1'-0"



In charge of <i>William A. Smith</i>	NO.	DATE	REVISION	INIT.
Designed by <i>J.E.L.</i> Checked by <i>J.H.E.</i>				
Made by <i>R.C.C.</i>				



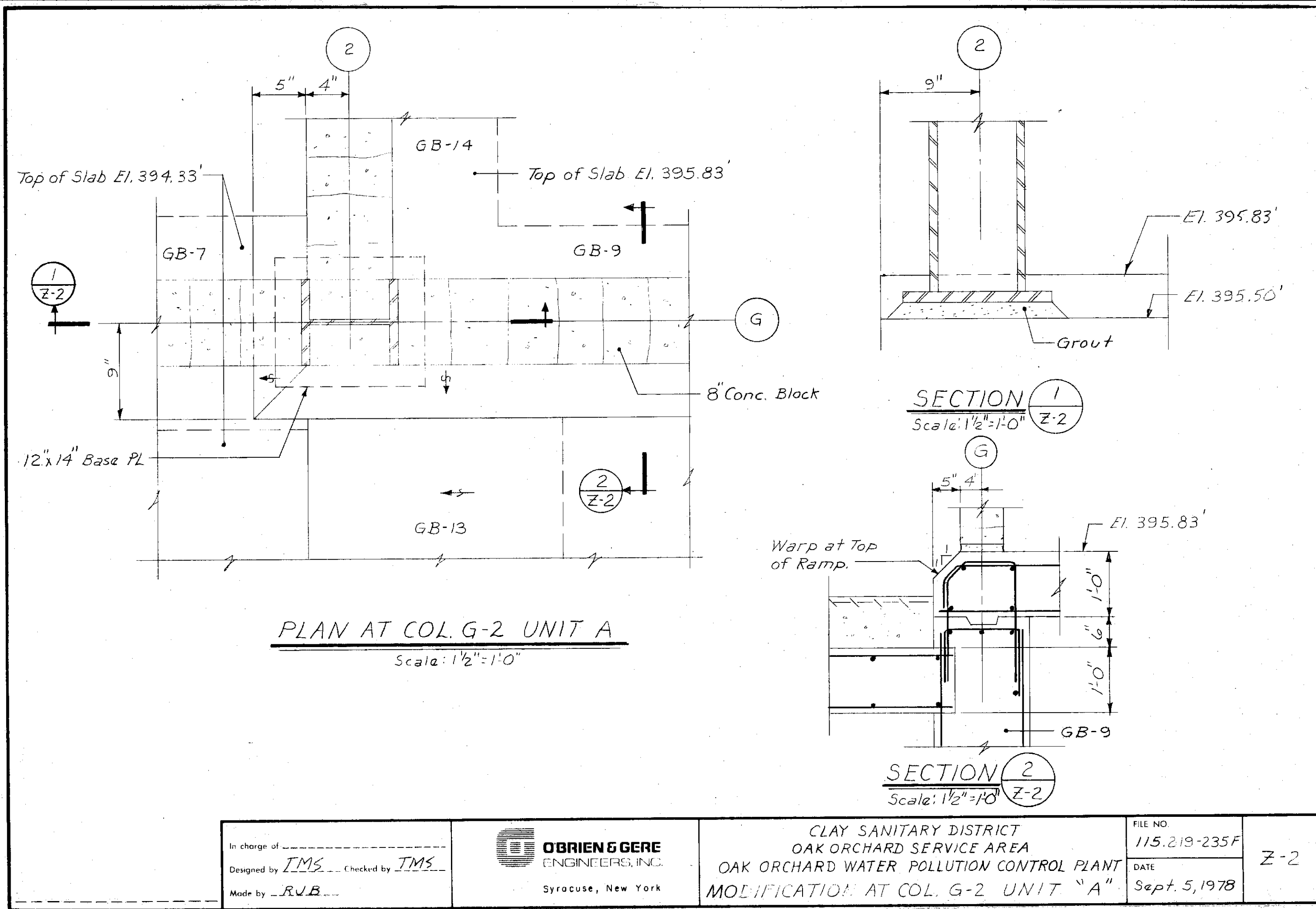
CLAY SANITARY DISTRICT
OAK ORCHARD SERVICE AREA
OAK ORCHARD WATER POLLUTION CONTROL PLANT

Plumbing Z-1
INTERCEPTOR REVISIONS

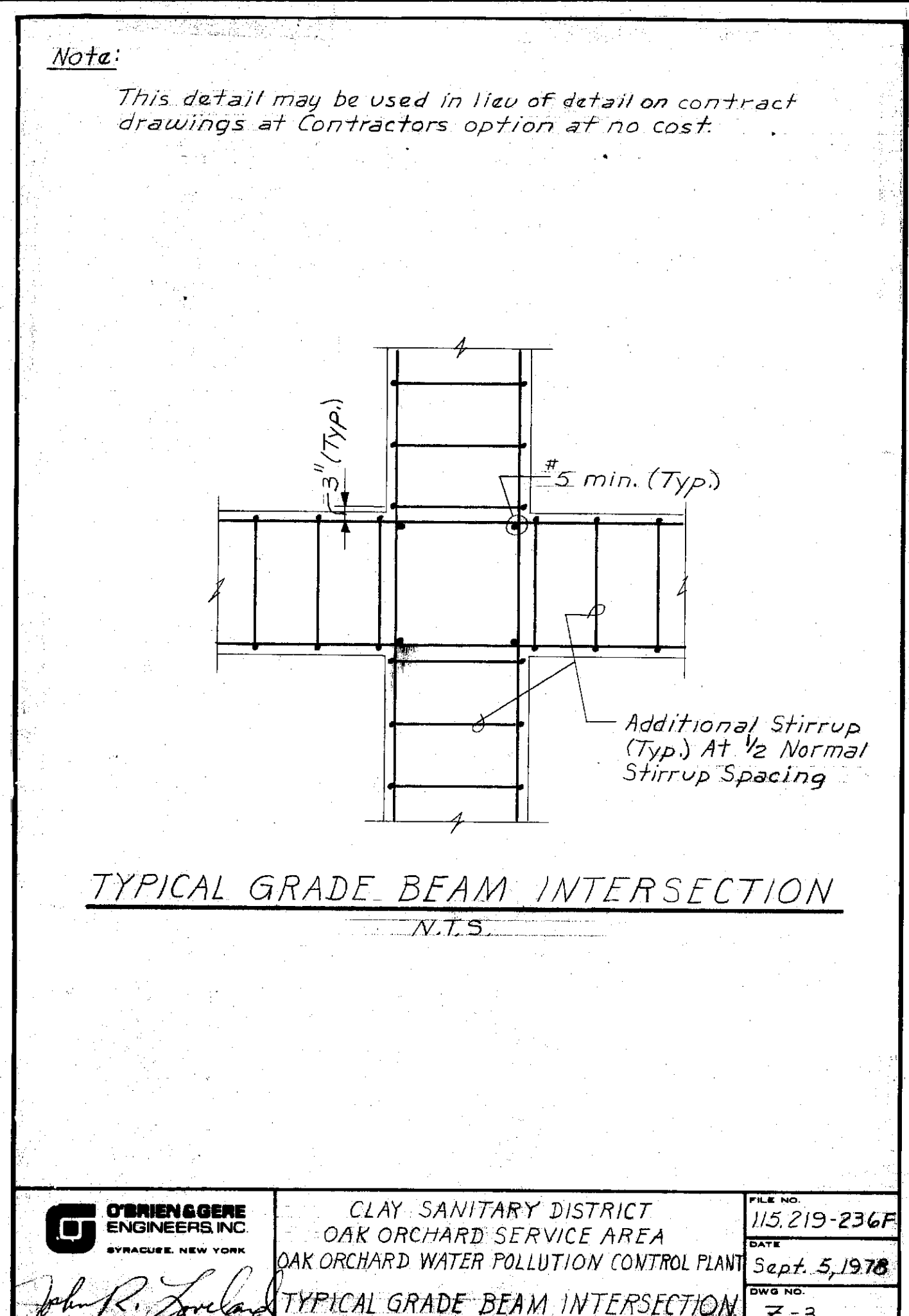
FILE NO.
115.219-392 RD
DATE
SEPT. 5, 1980

RD-5

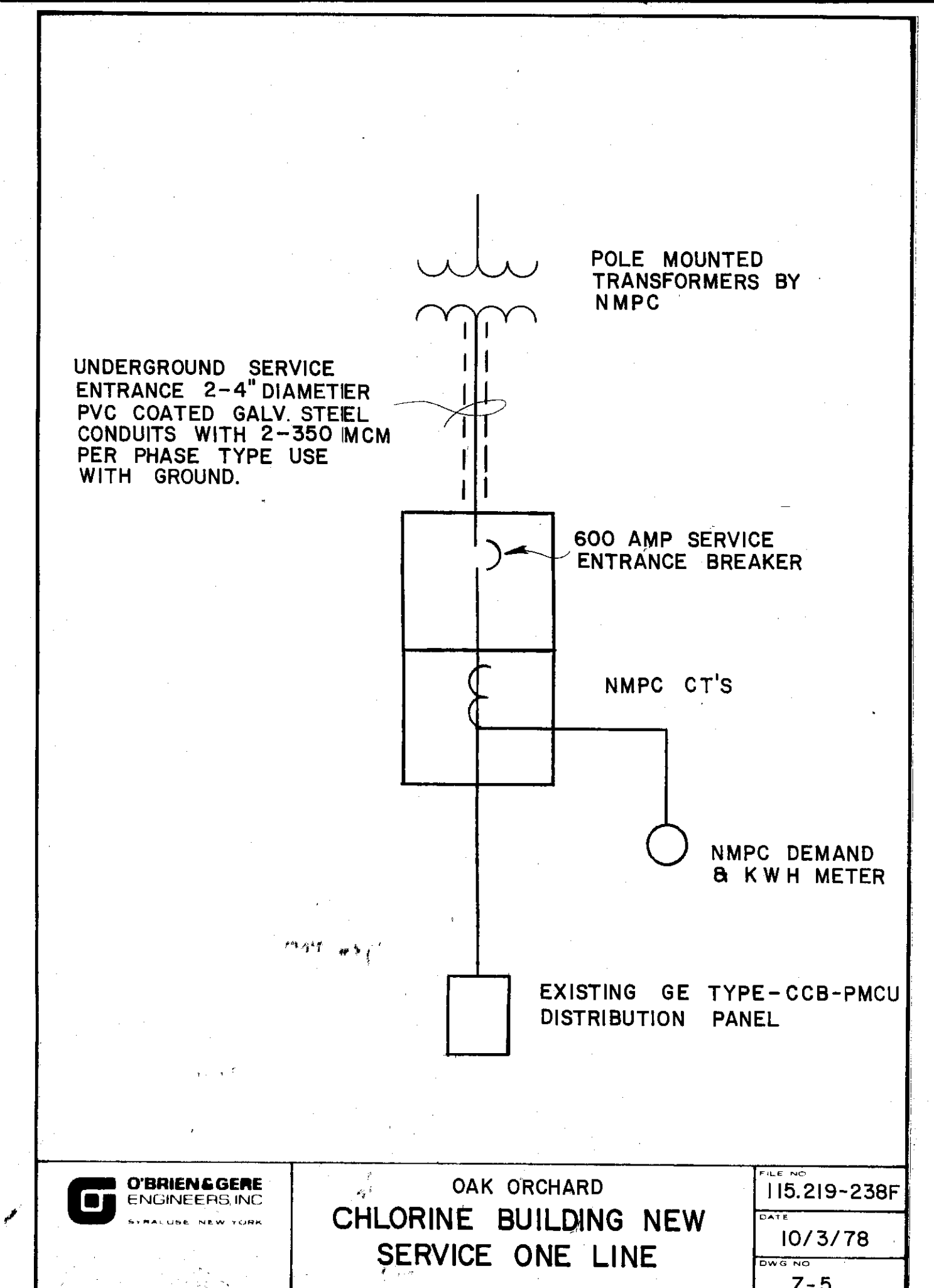
Bill Collier



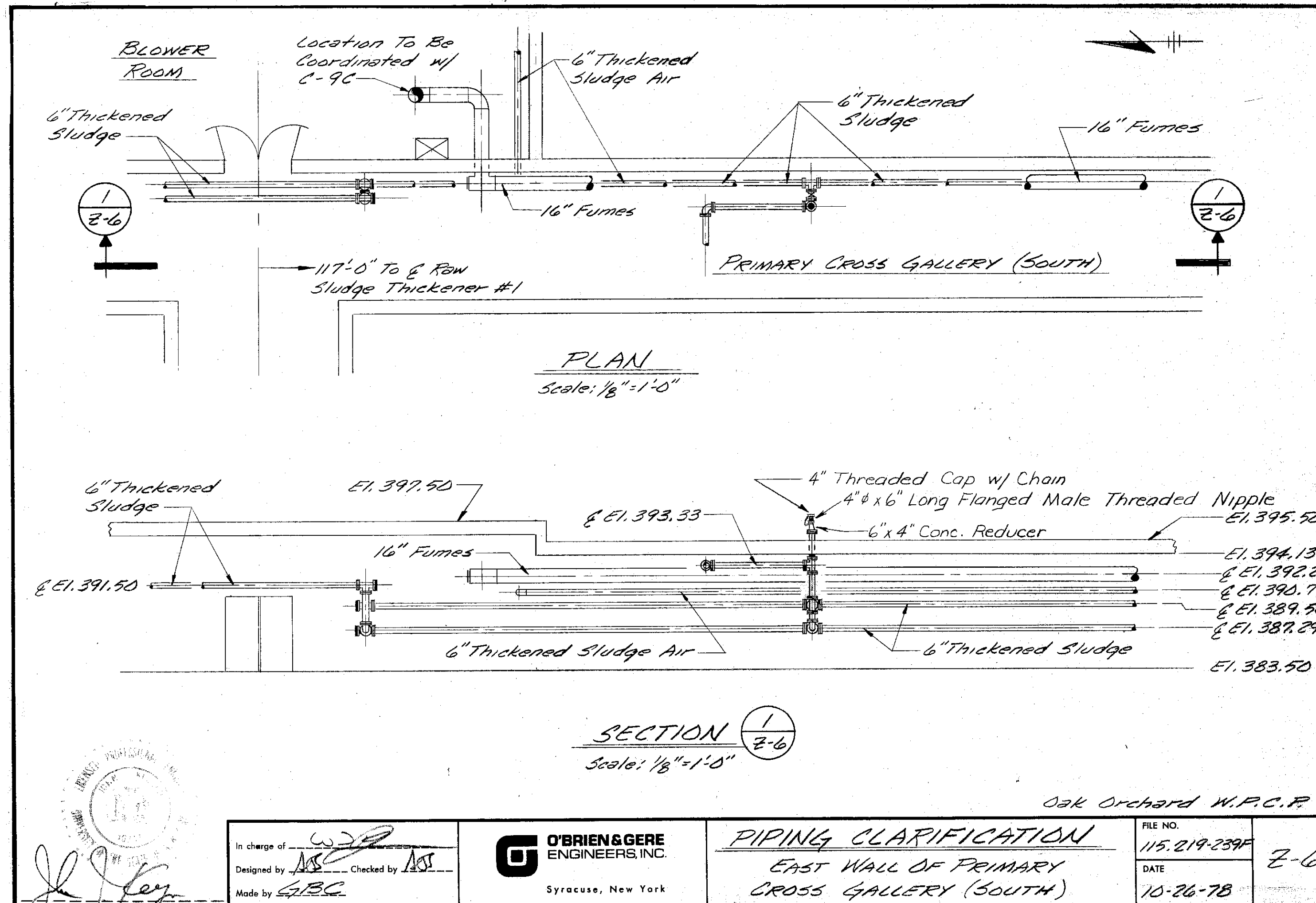
In charge of Designed by <i>JMS</i> Checked by <i>JMS</i> Made by <i>RJB</i>	O'BRIEN & GERE ENGINEERS, INC. Syracuse, New York	CLAY SANITARY DISTRICT OAK ORCHARD SERVICE AREA OAK ORCHARD WATER POLLUTION CONTROL PLANT MODIFICATION AT COL. G-2 UNIT "A"	FILE NO. 115.219-235F DATE Sept. 5, 1978	Z-2
---	--	--	---	-----



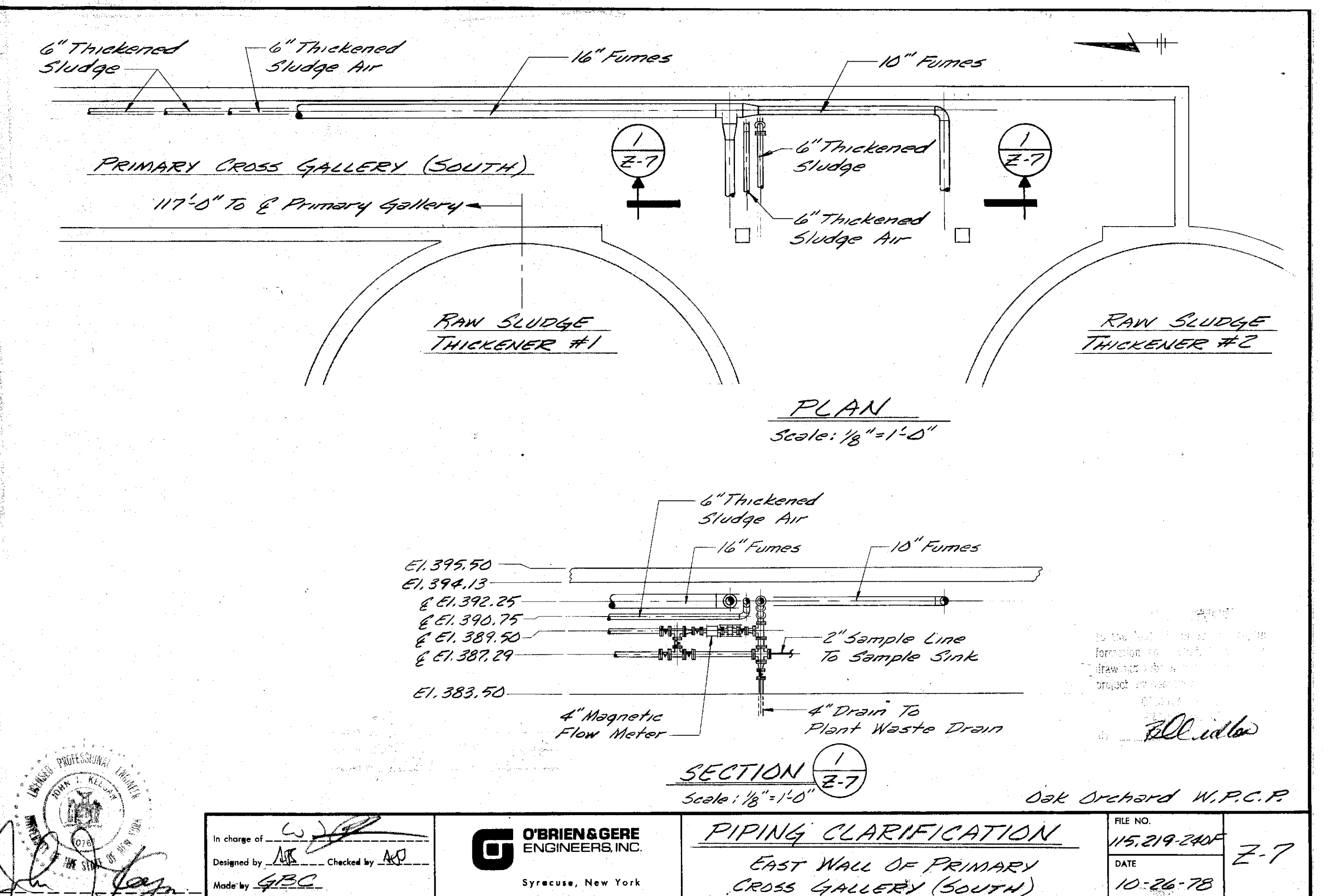
O'BRIEN & GERE ENGINEERS, INC. Syracuse, New York	CLAY SANITARY DISTRICT OAK ORCHARD SERVICE AREA OAK ORCHARD WATER POLLUTION CONTROL PLANT	FILE NO. 115.219-236F DATE Sept. 5, 1978	Z-3
--	---	---	-----



O'BRIEN & GERE ENGINEERS, INC. Syracuse, New York	OAK ORCHARD CHLORINE BUILDING NEW SERVICE ONE LINE	FILE NO. 115.219-238F DATE 10/3/78	Z-5
--	--	---	-----

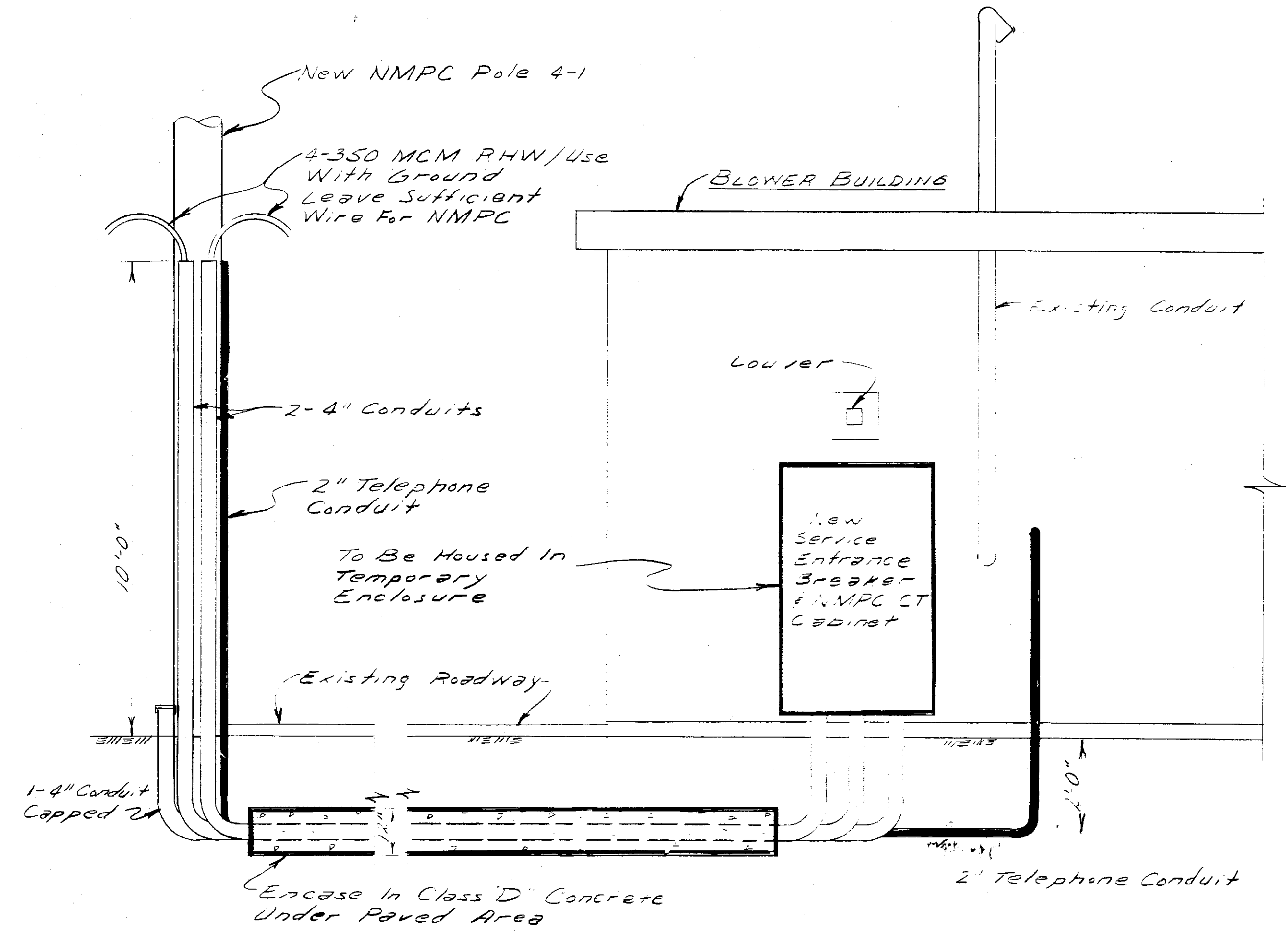
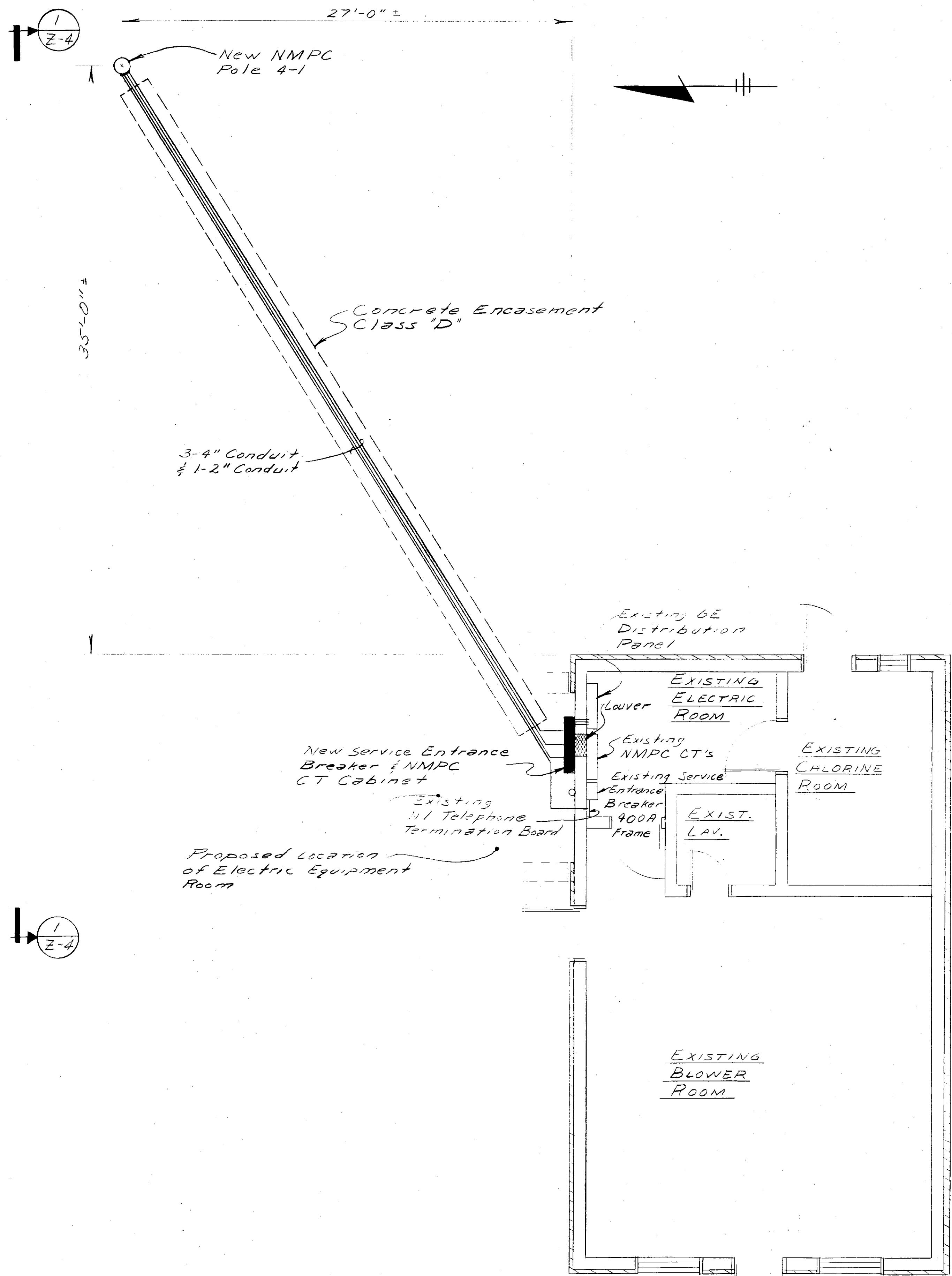


In charge of Designed by <i>AS</i> Checked by <i>AS</i> Made by <i>SBC</i>	O'BRIEN & GERE ENGINEERS, INC. Syracuse, New York	PIPING CLARIFICATION EAST WALL OF PRIMARY CROSS GALLERY (SOUTH)	FILE NO. 115.219-239F DATE 10-26-78	Z-6
---	--	--	--	-----



In charge of Designed by <i>AS</i> Checked by <i>AS</i> Made by <i>SBC</i>	O'BRIEN & GERE ENGINEERS, INC. Syracuse, New York	PIPING CLARIFICATION EAST WALL OF PRIMARY CROSS GALLERY (SOUTH)	FILE NO. 115.219-240F DATE 10-26-78	Z-7
---	--	--	--	-----

In charge of Designed by Made by	SCALE: AS SHOWN	NO. DATE REVISION INIT.	O'BRIEN & GERE ENGINEERS, INC. Syracuse, New York	CLAY SANITARY DISTRICT OAK ORCHARD SERVICE AREA OAK ORCHARD WATER POLLUTION CONTROL PLANT	RECORD DRAWING Z-DRAWINGS Z-2, Z-3, Z-5, Z-6 & Z-7	FILE NO. 115.219-393RD DATE AUGUST, 1980	RD-6
--	-----------------	-------------------------	--	---	--	---	------



PLAN
Scale: 1/8" = 1'-0"

SECTION
Scale: 1/2" = 1'-0"

In charge of <u>W. H. [Signature]</u>	NO.	DATE	REVISION	INIT.
Designed by <u>J.E.L.</u> Checked by <u>J.H.E.</u>				
Made by <u>Z.M.</u>				

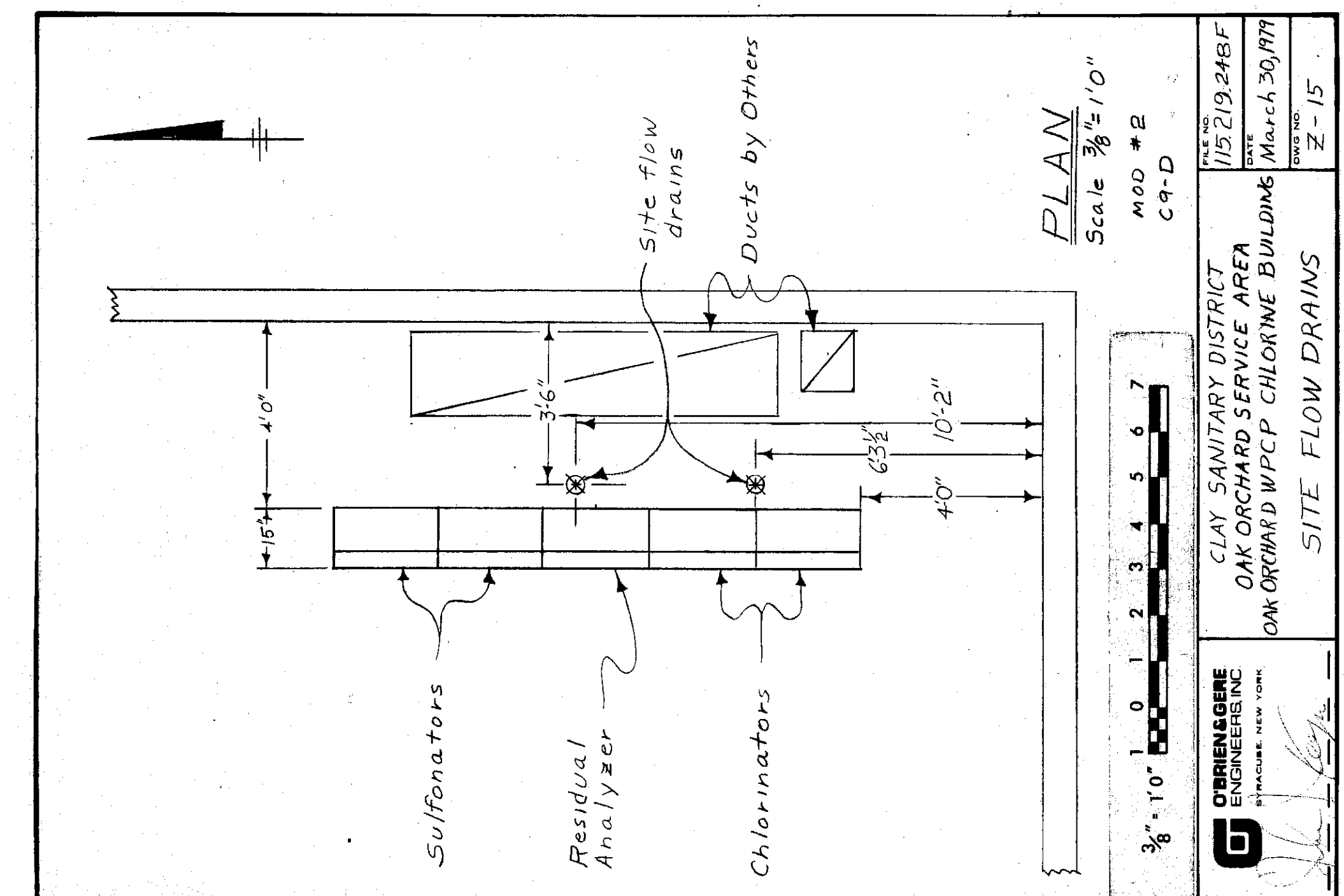
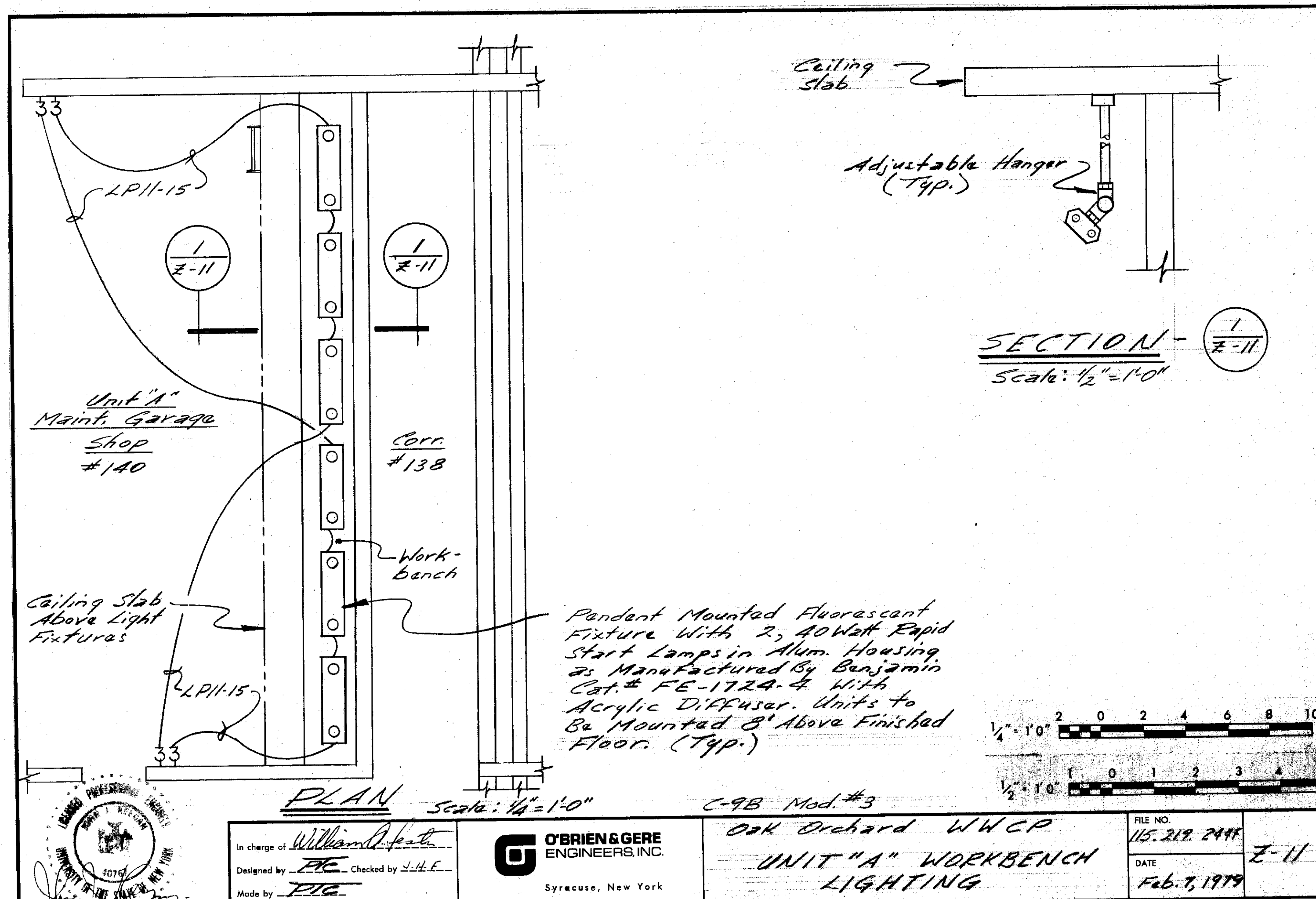
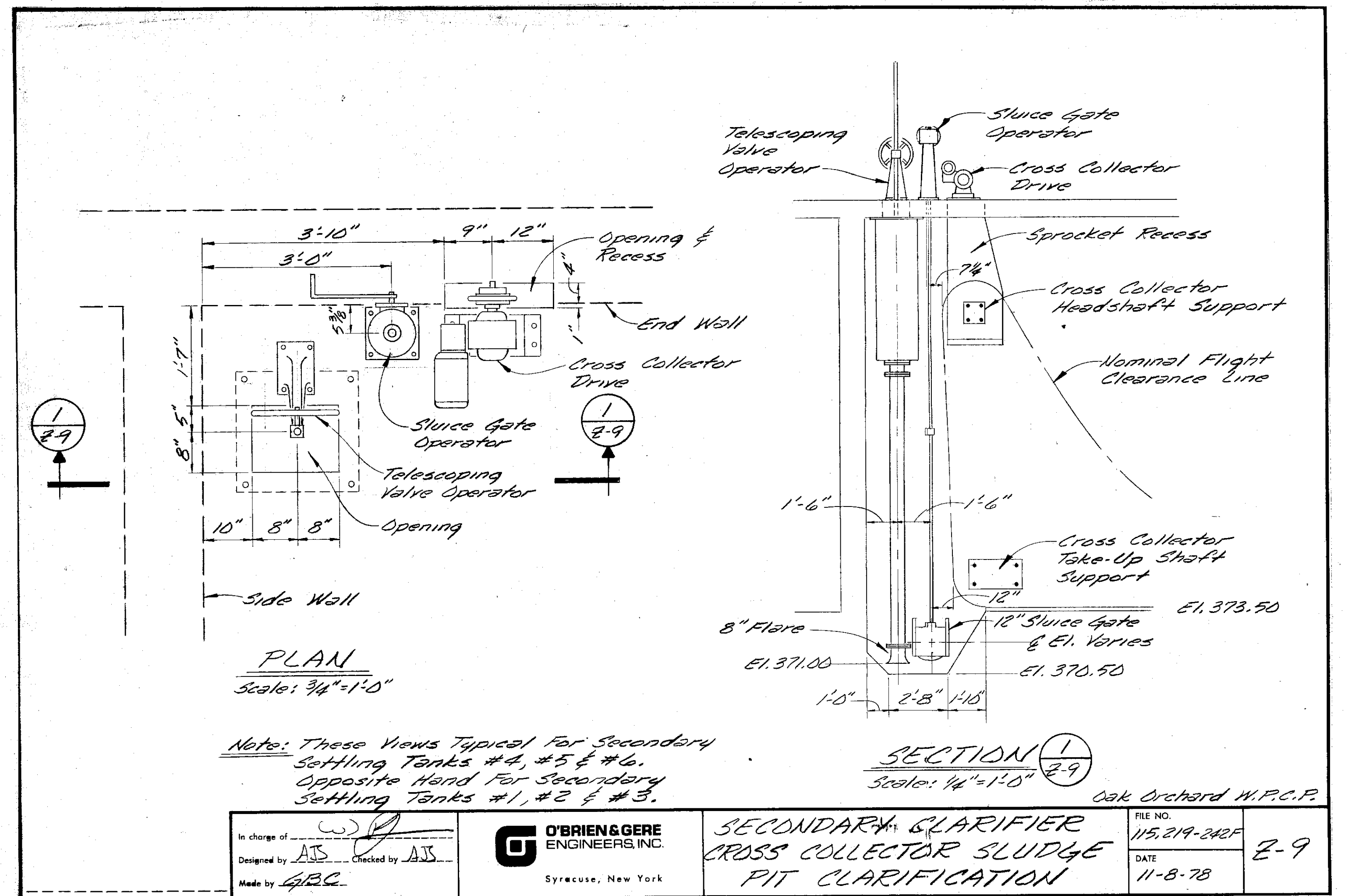
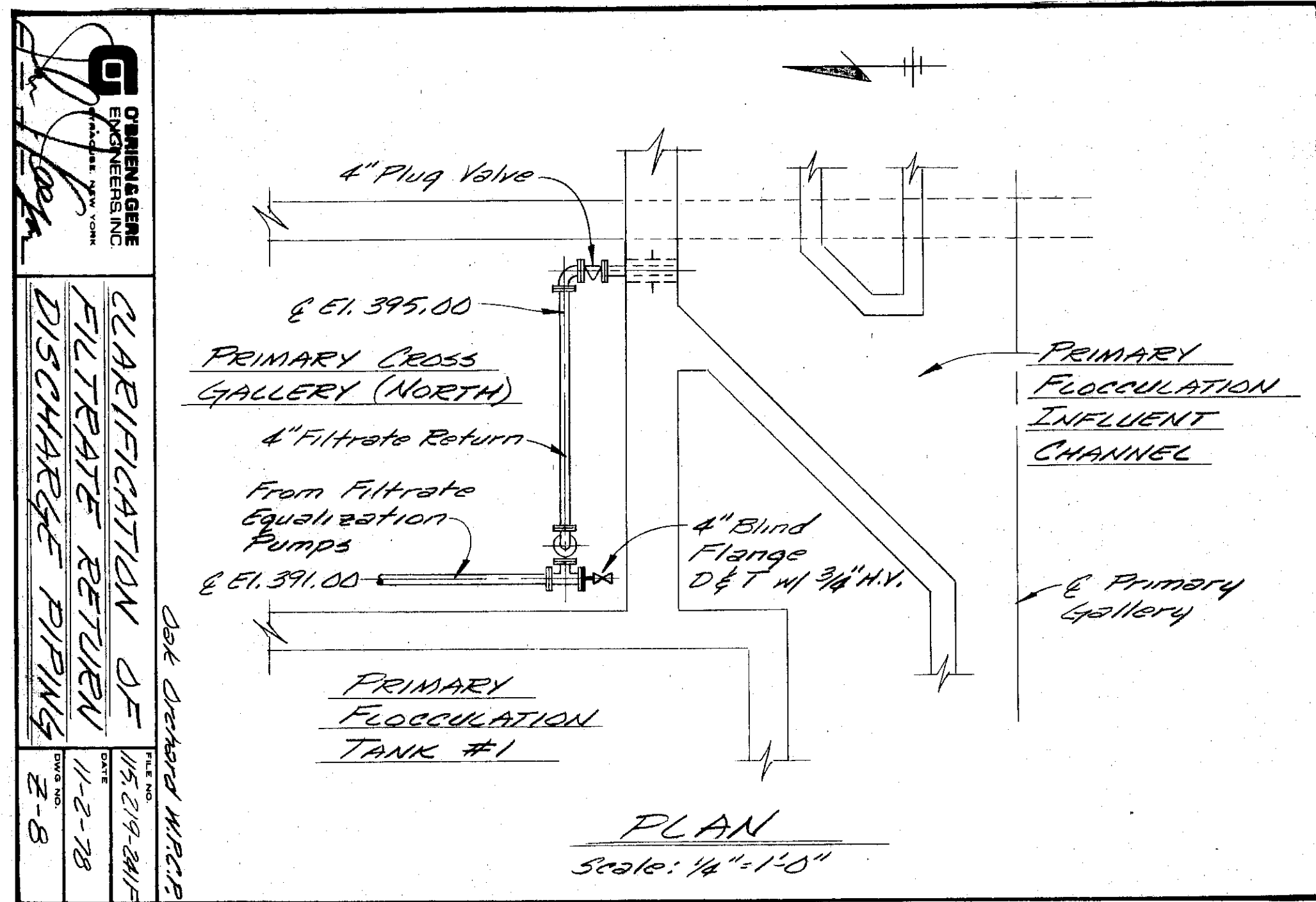
O'BRIEN & GERE
ENGINEERS, INC.
Syracuse, New York

CLAY SANITARY DISTRICT
OAK ORCHARD SERVICE AREA
OAK ORCHARD WATER POLLUTION CONTROL PLANT

CHLORINE BUILDING
SERVICE ENTRANCE

Z-4
FILE NO. 115.219-394RD
DATE SEPT. 5, 1980

RD-7



In charge of _____	NO.	DATE	REVISION	INIT.
Designed by _____				
Checked by _____				
Made by <u>D.J.H.</u>				

O'BRIEN & GERE
ENGINEERS, INC.
Syracuse, New York

CLAY SANITARY DISTRICT
OAK ORCHARD SERVICE AREA
OAK ORCHARD WATER POLLUTION CONTROL PLANT

RECORD DRAWING
Z-DRAWINGS
Z-8, Z-9, Z-11 & Z-15

FILE NO.
115.219-395RD
DATE
AUGUST, 1980

RD-8

Access Bldg.
Unit H

F.EL. 395.5'

Computer Termination Cabinet #1

Change W.A.S. Magnetic Flowmeters From 4" to 6" (in Gallery Below Unit "H")

Aeration Gallery (Wet Location)

Oxygen Generation Building

2" PVC coated 3/4" Conduit with #16's Twisted Pair (See Note 2)

Plant Waste Pumping Station

See Dwg. E-43 For Typical Mag Meter Installation and Wiring

New 12" Mag Meter - Supplied By C-98 & Installed By C-9A

South Secondary Cross Gallery (Wet Location)

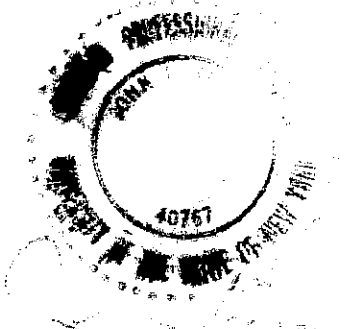
Tap Existing Lighting Circuit LDB-3 in this Area

- Notes:
1. Refer to Dwg. E-25 For Location of 6" Mag Meter in Secondary Gallery
 2. See MP-203 For Conduit Requirements in Wet Locations

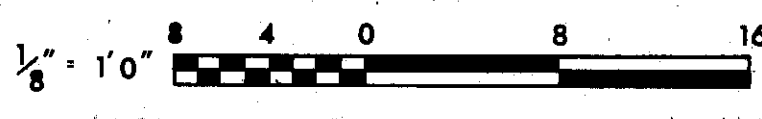
See Note 1 For 6" Oxidative Liquor Mag Meter

PARTIAL PLAN
Scale 1/8" = 1'-0"

BCL:sdw



In charge of <u>J.E.L.</u>	NO. <u>72177</u>	DATE <u>7/27/77</u>	REVISION <u>Relocated 12" Magmeter & Controls</u>	INIT. <u>JEL</u>
Designed by <u>J.E.L.</u> Checked by <u>J.H.F.</u>				
Made by <u>F.T.C.</u>				



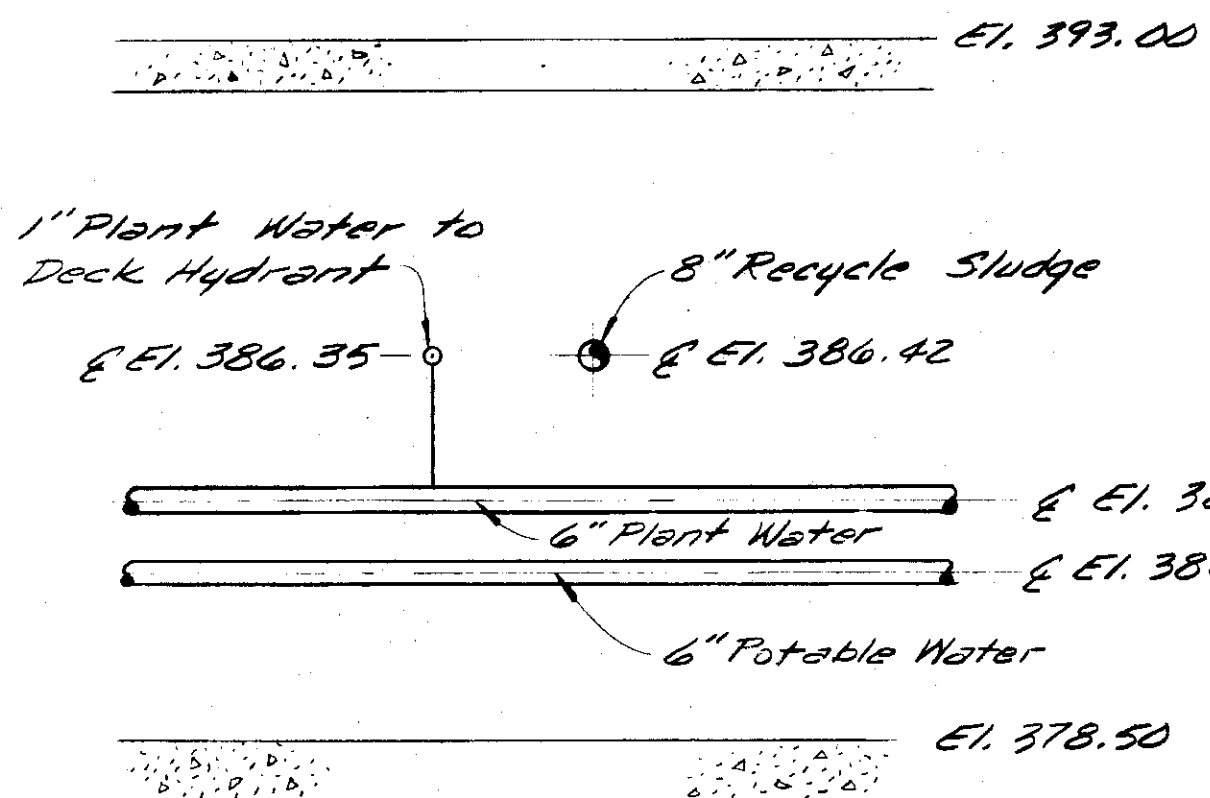
O'BRIEN & GERE ENGINEERS, INC.
Syracuse, New York

Clay Sanitary District
Oak Orchard Service Area
OAK ORCHARD WATER POLLUTION CONTROL PLANT

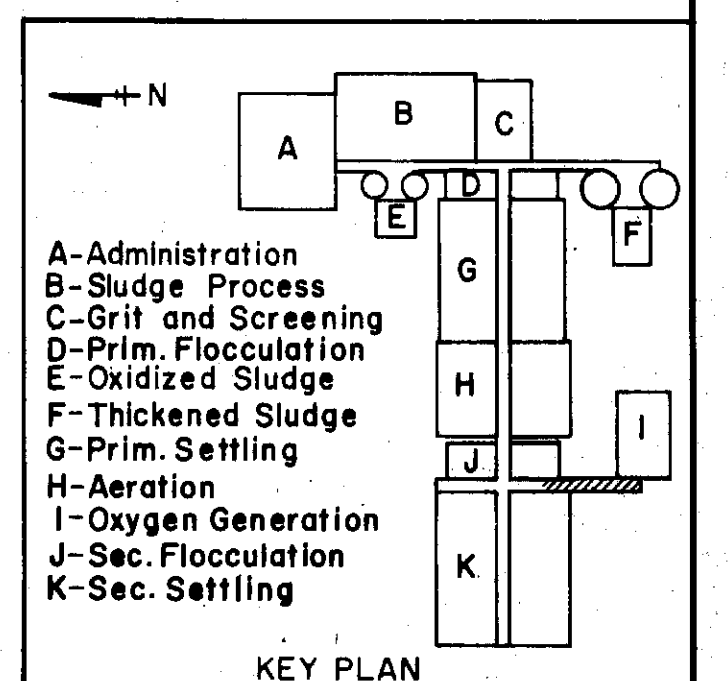
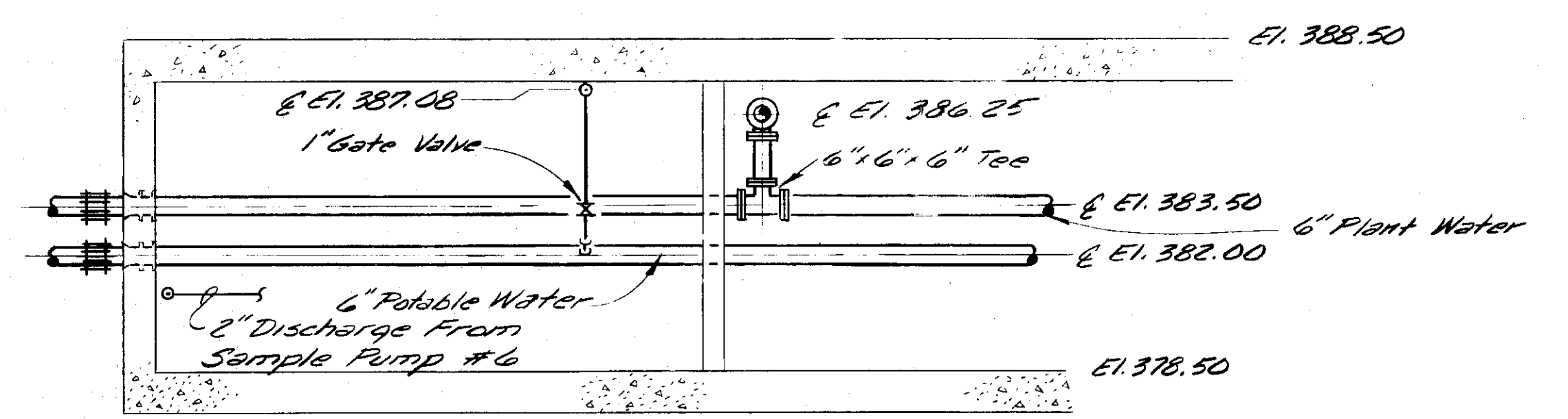
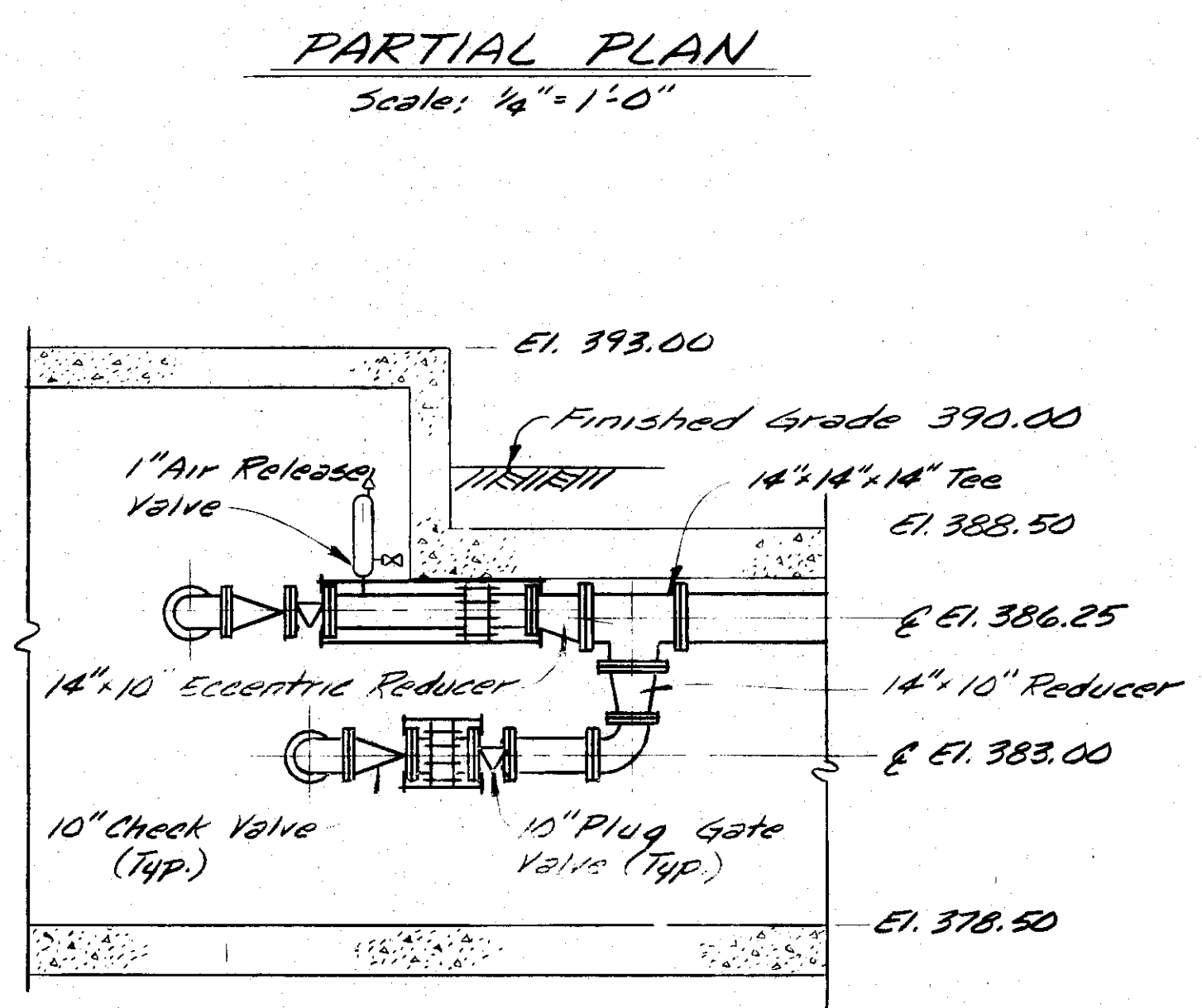
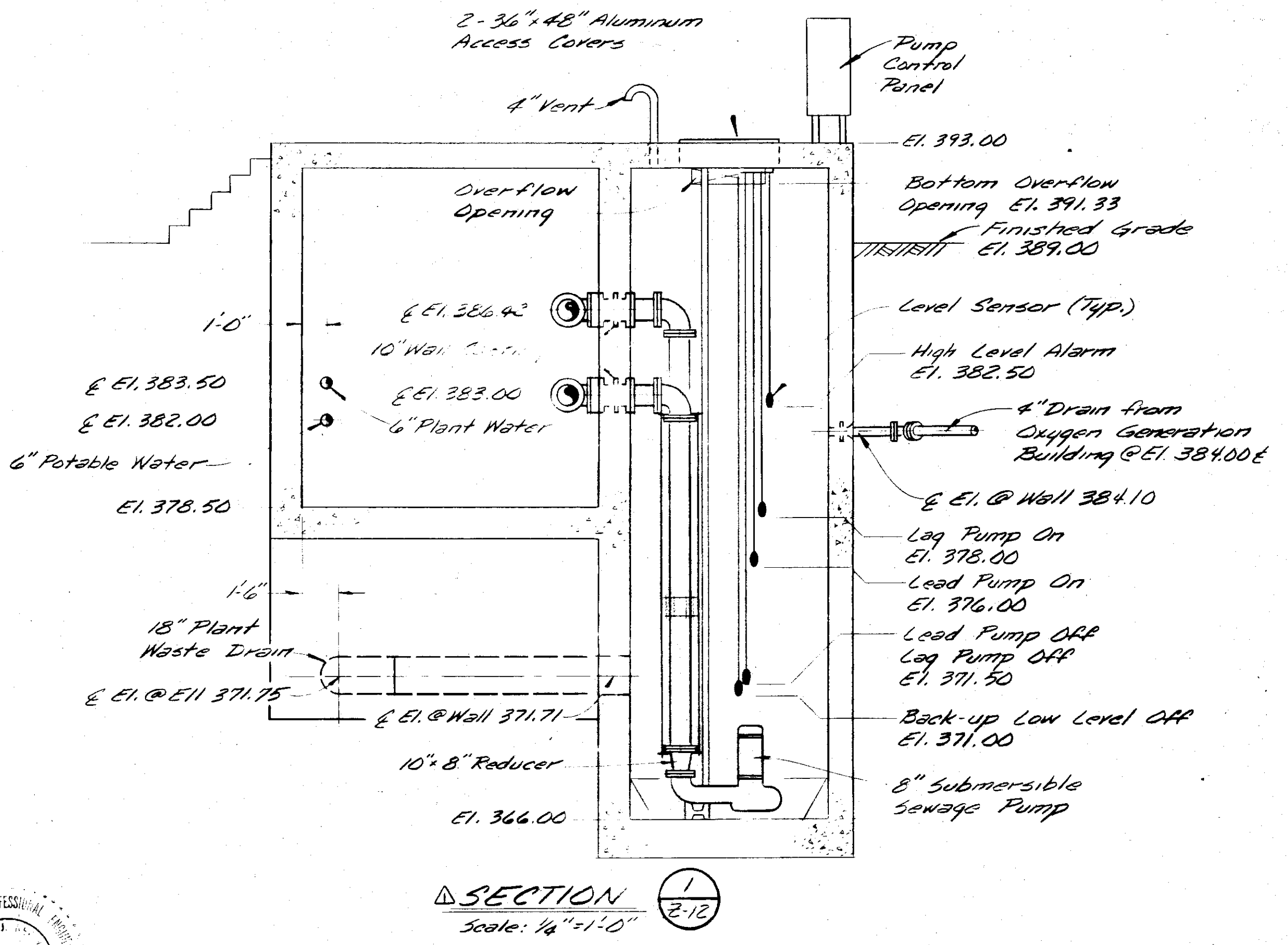
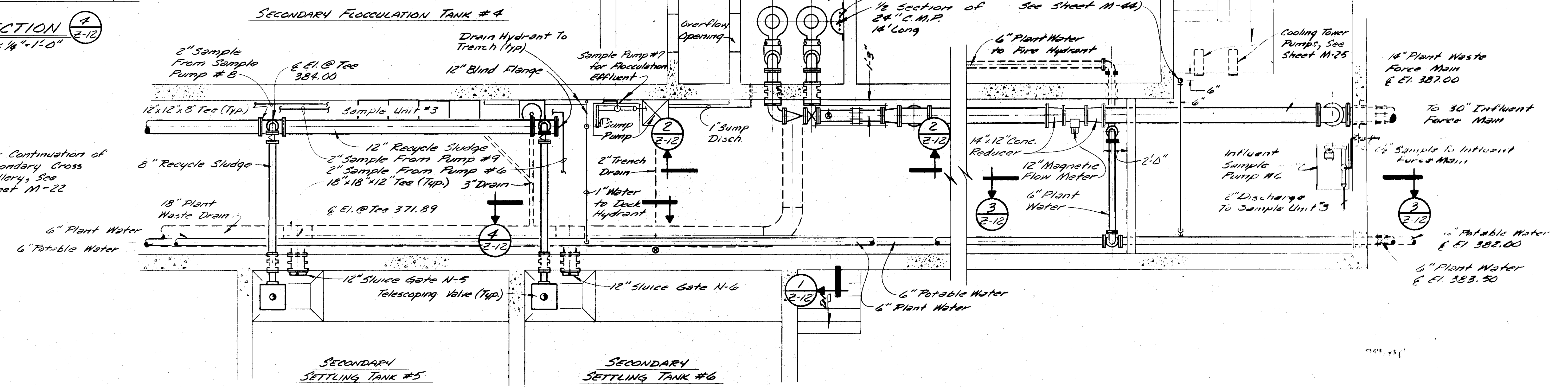
Electrical
Z-10R
NEW 12" MAGMETER INSTALLATION

FILE NO. 115.219-396 RD
DATE OCTOBER, 1980

RD-9



Note: Sump Pump to Discharge into Plant Waste Pump Station @ E1. 381.00



NO.	DATE	REVISION	INIT.

In charge of: [Signature]
Designed by: [Signature] Checked by: [Signature]
Made by: GBC

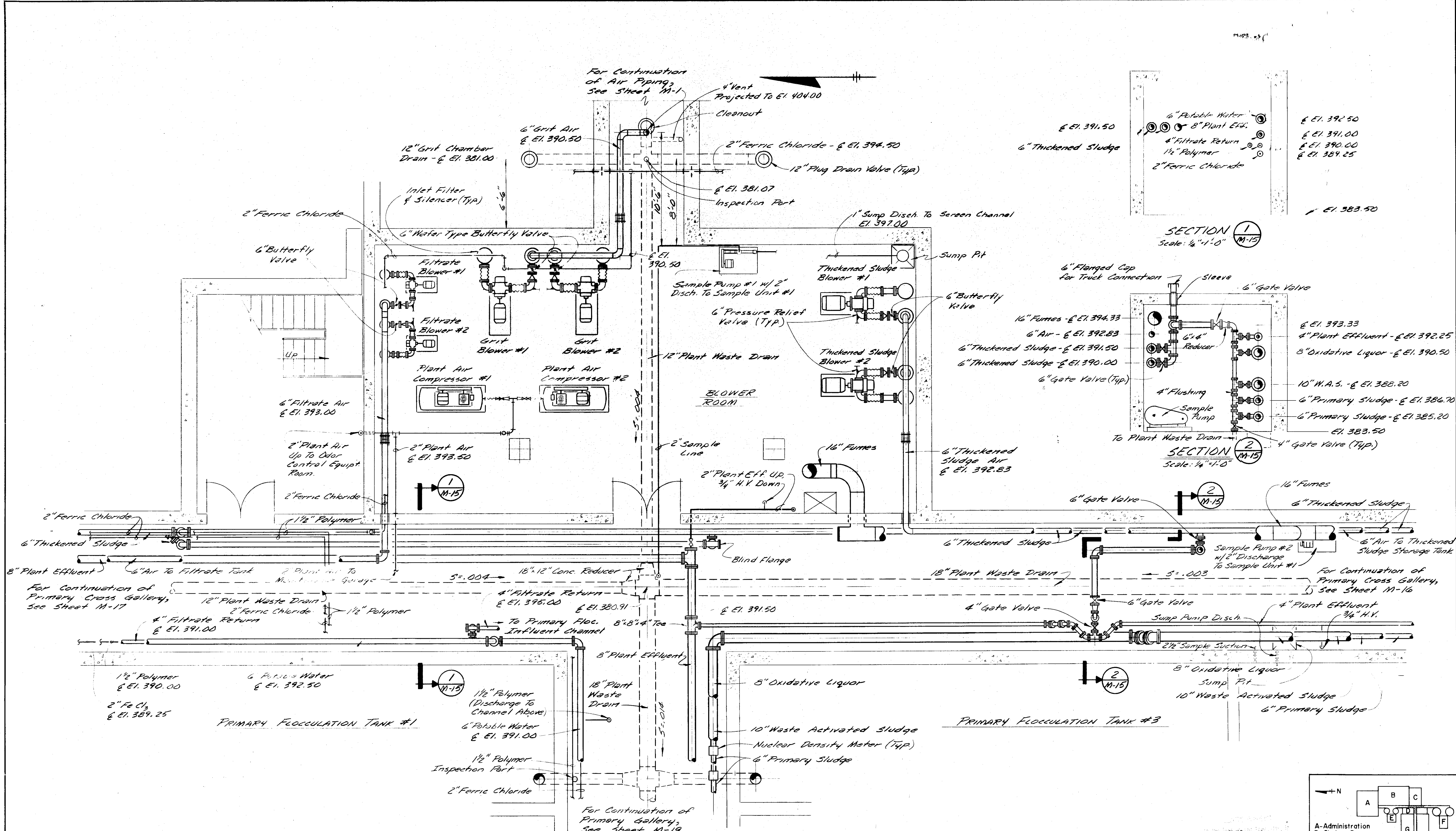


CLAY SANITARY DISTRICT
OAK ORCHARD SERVICE AREA
OAK ORCHARD WATER POLLUTION CONTROL PLANT

MECHANICAL
SECONDARY CROSS GALLERY (SOUTH)
PIPING MODIFICATIONS

Z-12R
FILE NO. 115.219-397RD
DATE SEPT. 5, 1980
RD-10

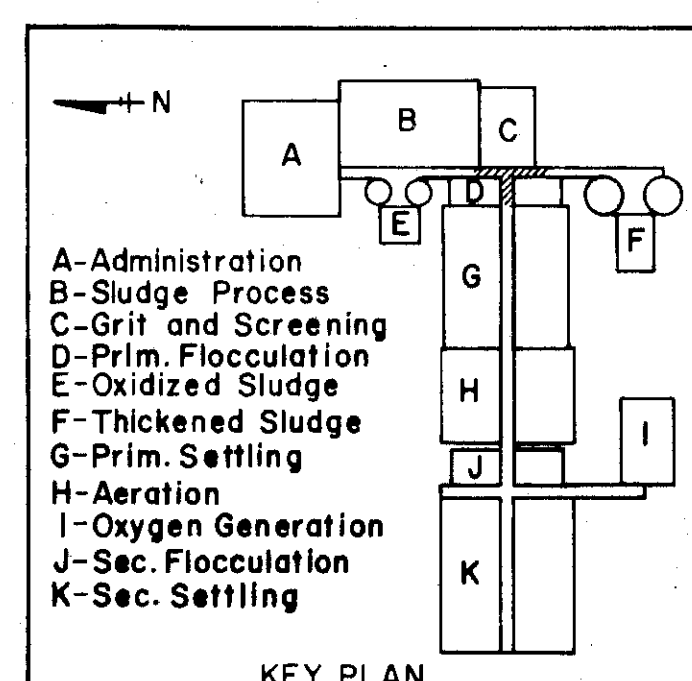
Contract 9A-Mod. #16



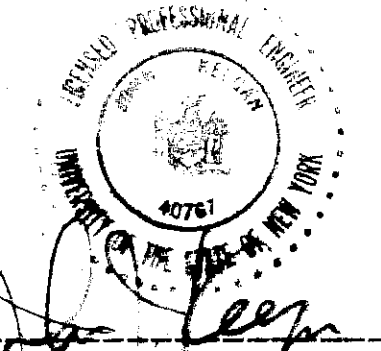
PLAN
Scale: 1/4" = 1'-0"

SECTION 1
Scale: 1/4" = 1'-0"

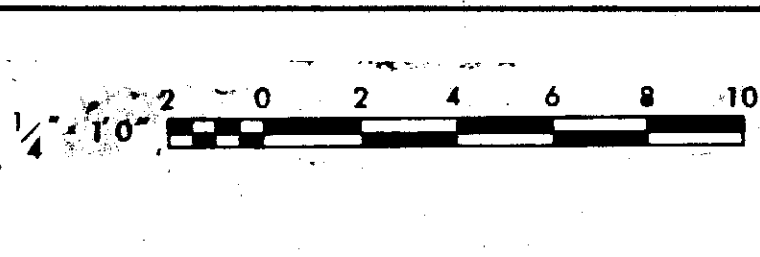
SECTION 2
Scale: 1/4" = 1'-0"



KEY PLAN



In charge of *[Signature]*
Designed by *[Signature]* Checked by *[Signature]*
Made by *[Signature]*



NO.	DATE	REVISION	INIT.

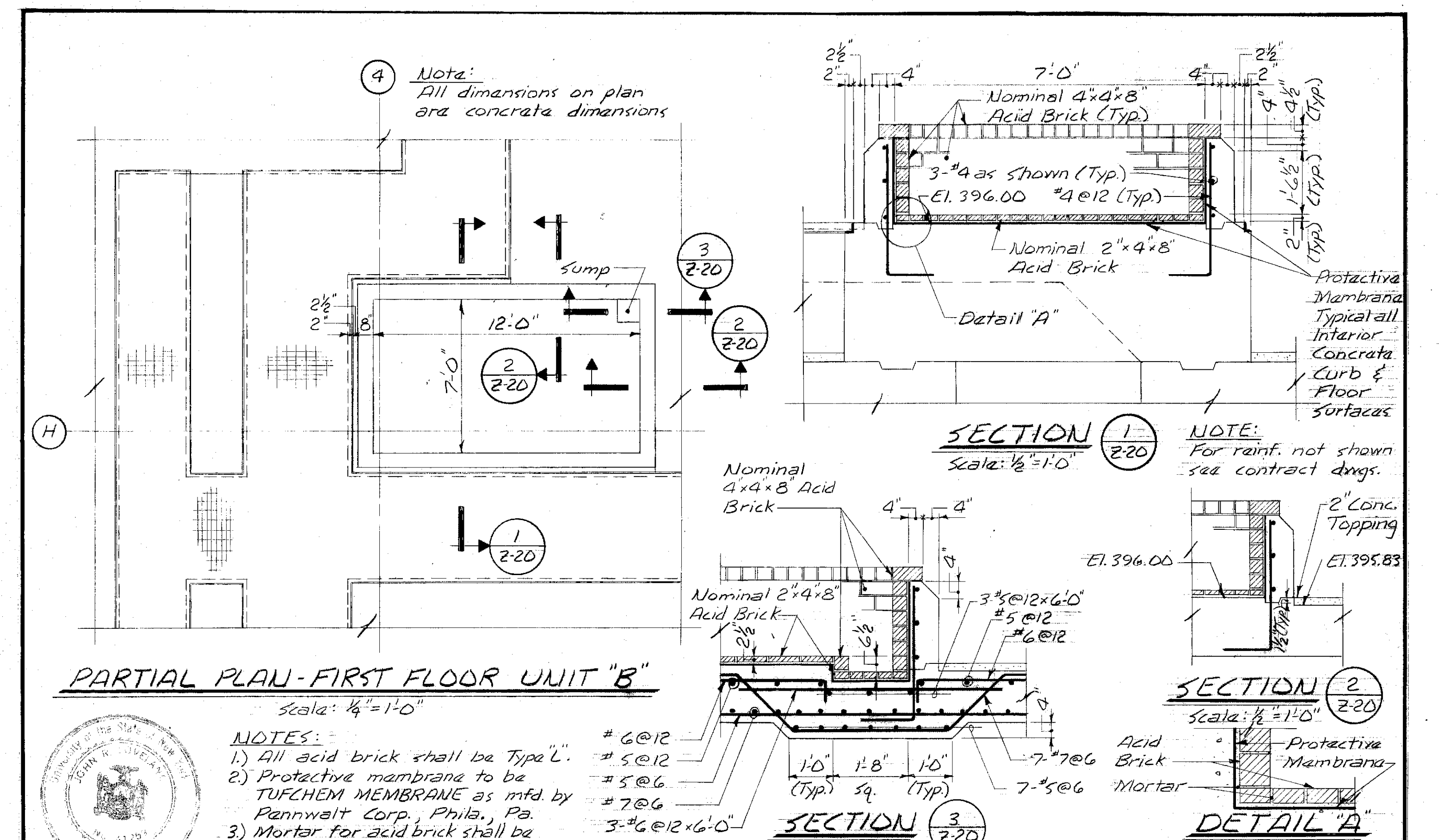
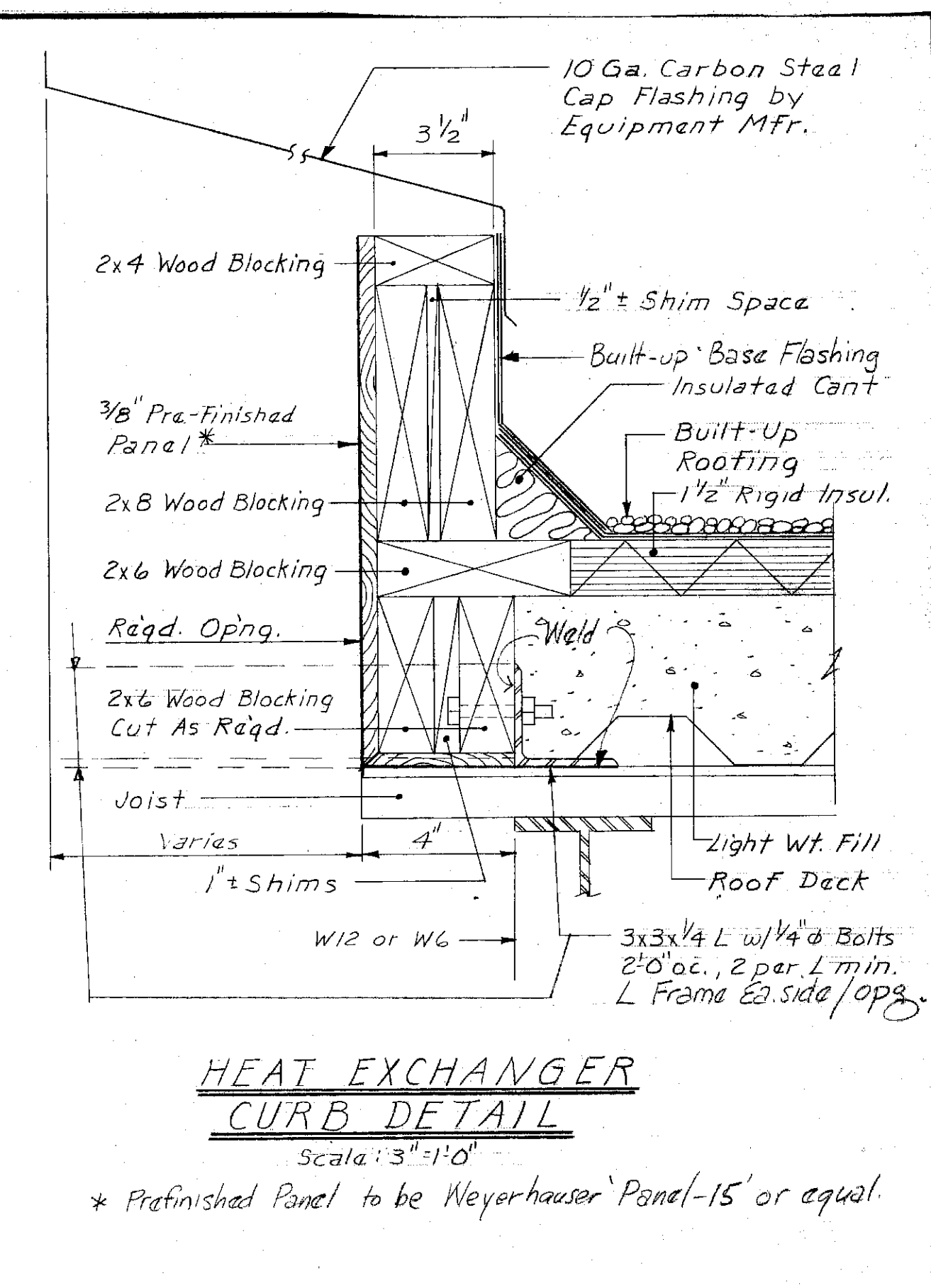
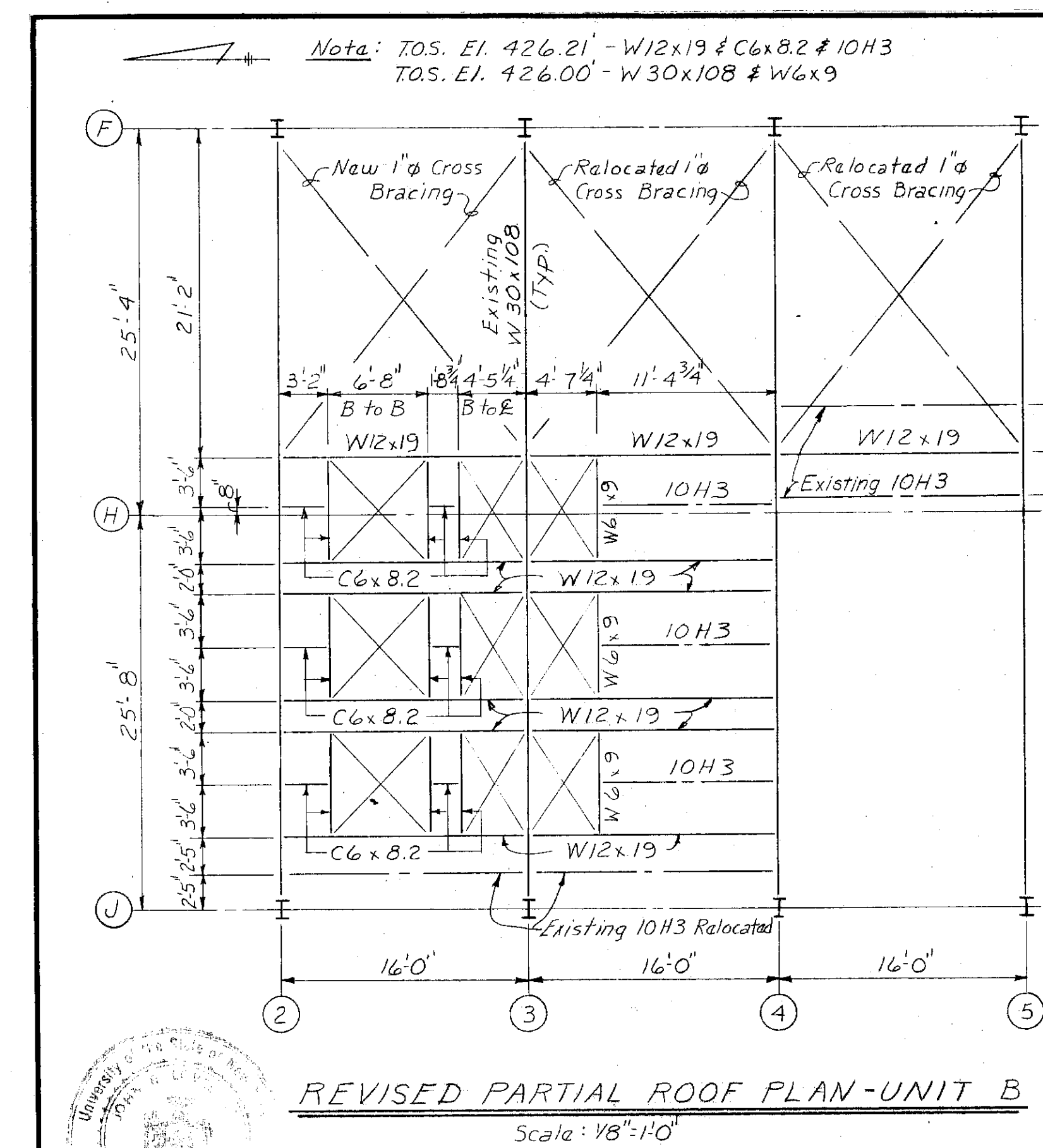
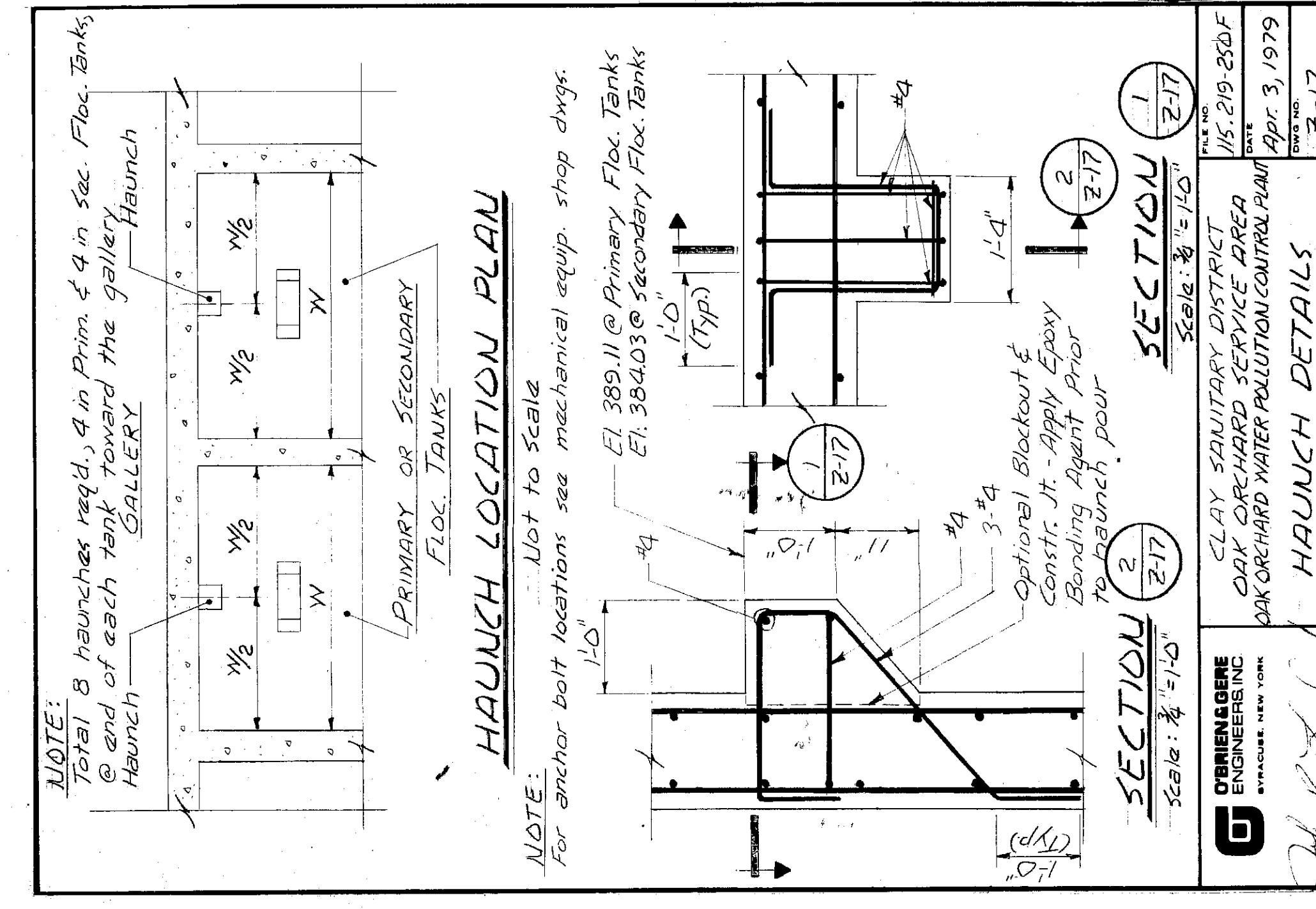
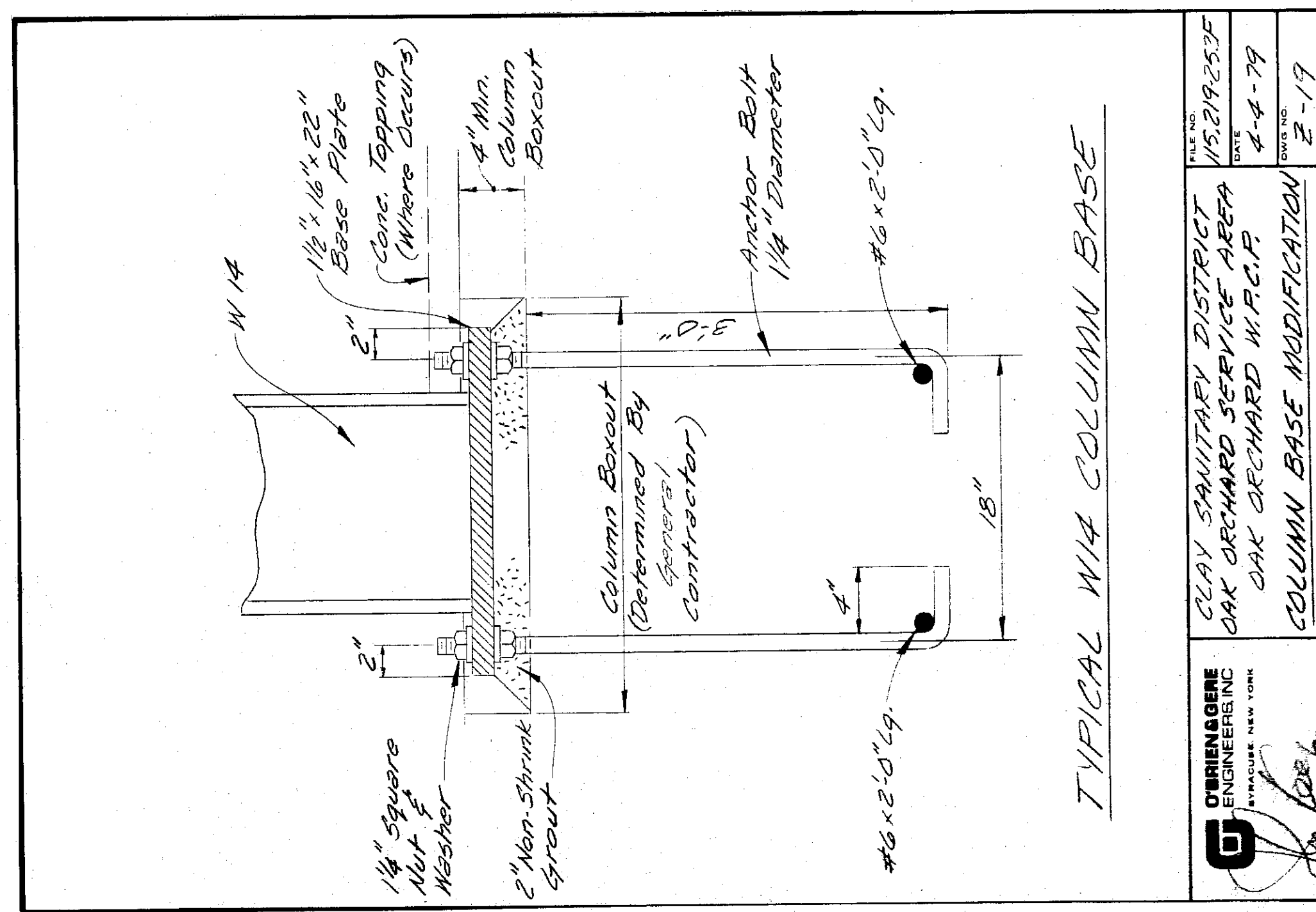
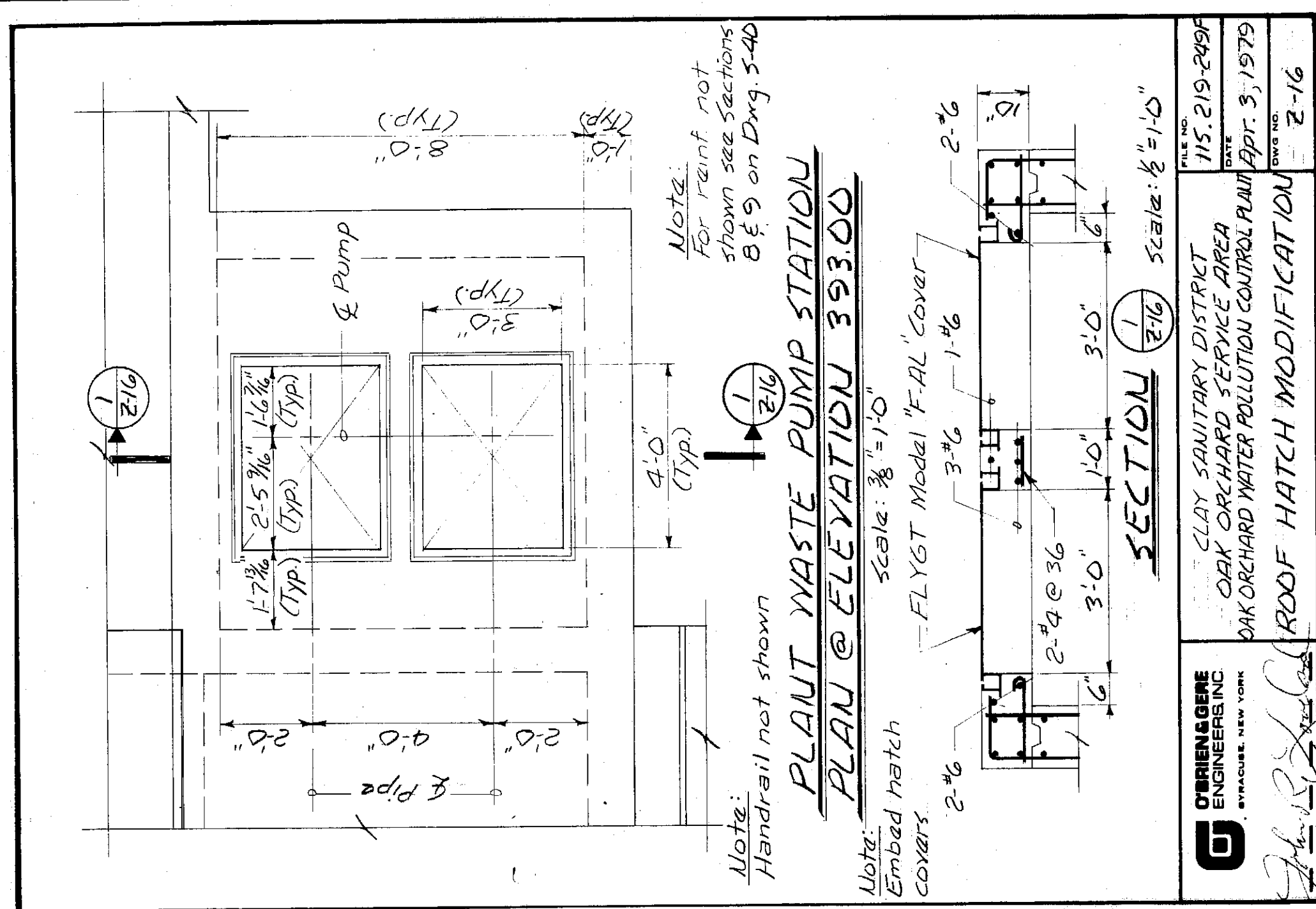
O'BRIEN & GERE
ENGINEERS, INC.
Syracuse, New York

CLAY SANITARY DISTRICT
OAK ORCHARD SERVICE AREA
OAK ORCHARD WATER POLLUTION CONTROL PLANT

MECHANICAL **Z-13**
COMPRESSOR ROOM (M-15)
PLAN & SECTIONS

FILE NO.
115.219-398RD
DATE
OCTOBER, 1980

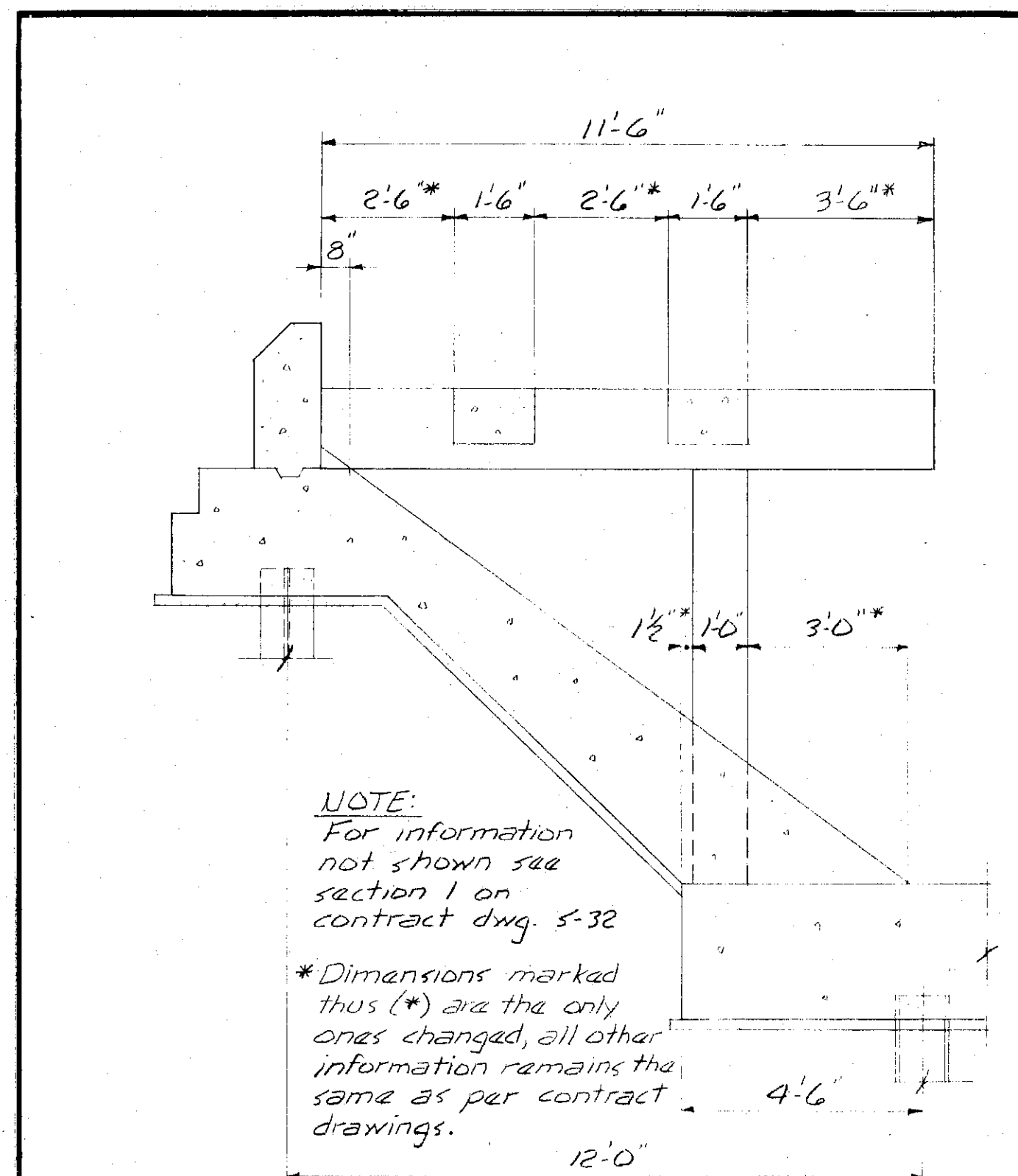
RD-11



In charge of <u>Umanikata</u>	O'BRIEN & GERE ENGINEERS, INC. Syracuse, New York	CLAY SANITARY DISTRICT OAK ORCHARD SERVICE AREA OAK ORCHARD WATER POLLUTION CONTROL PLANT REVISED ROOF PLAN - UNIT B	FILE NO. 115.219-251E DATE APRIL 9, 1979	Z-18
Designed by <u>REB/MS</u> Checked by <u>---</u>		MADE BY <u>REB</u>		
Scale: AS SHOWN				

In charge of <u>Umanikata</u>	O'BRIEN & GERE ENGINEERS, INC. Syracuse, New York	CLAY SANITARY DISTRICT OAK ORCHARD SERVICE AREA OAK ORCHARD WATER POLLUTION CONTROL PLANT CURB AROUND SOLVENT TANK	FILE NO. 115.219-253F DATE APR. 10, 1979	Z-20
Designed by <u>SPK</u> Checked by <u>TMS</u>		MADE BY <u>SPK</u>		
Scale: AS SHOWN				

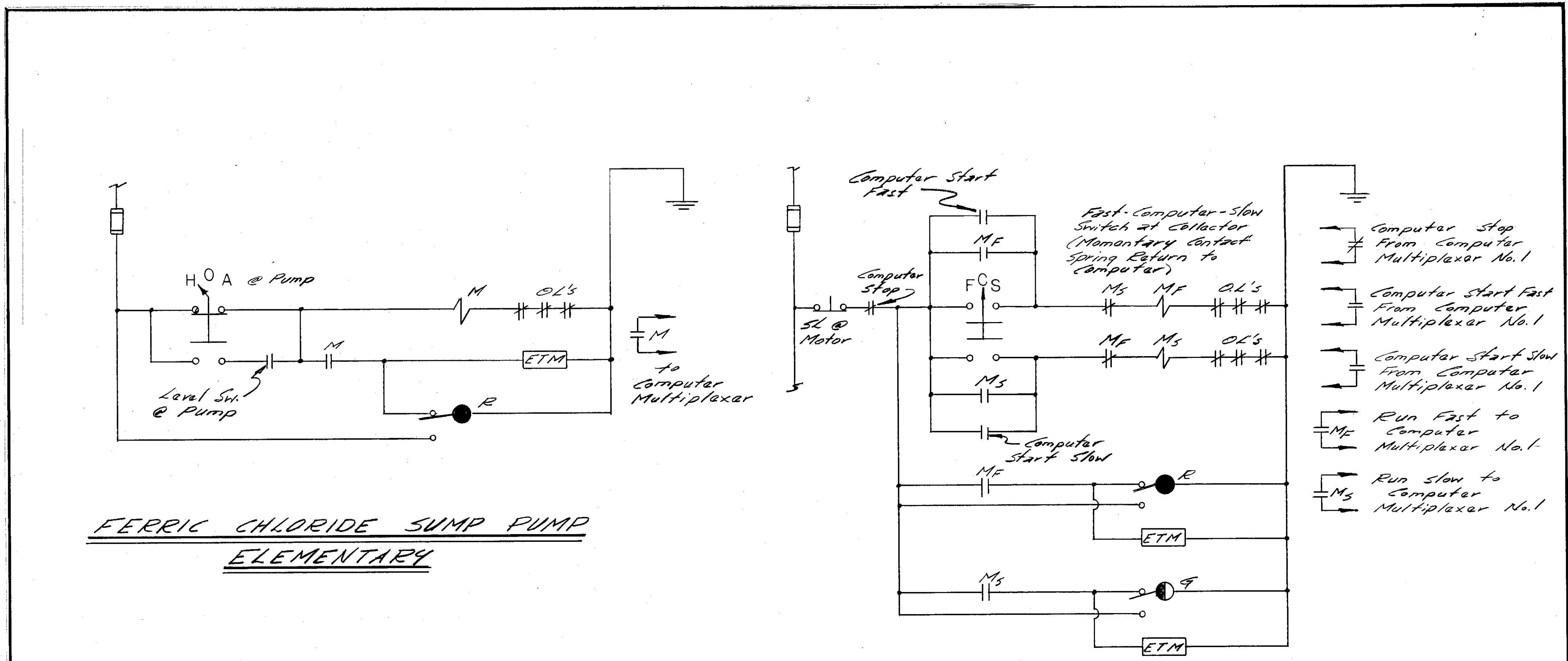
In charge of <u>---</u>	O'BRIEN & GERE ENGINEERS, INC. Syracuse, New York	CLAY SANITARY DISTRICT OAK ORCHARD SERVICE AREA OAK ORCHARD WATER POLLUTION CONTROL PLANT	RECORD DRAWING Z-DRAWINGS Z-16, Z-17, Z-18, Z-19 & Z-20	FILE NO. 115.219-400RD DATE AUGUST, 1980	RD-13
Designed by <u>DTH</u> Checked by <u>---</u>					
Scale: AS SHOWN					



SECTION THRU PRIMARY SETTLING TANK EFFLUENT WEIR SUPPORT

Scale: 3/8" = 1'-0"

	CLAY SANITARY DISTRICT OAK ORCHARD SERVICE AREA OAK ORCHARD WATER POLLUTION CONTROL PLANT WEIR SUPPORT MODIFICATION	FILE NO. 115.219-254F DATE JUNE 7, 1979 DWG. NO. Z-21R
	DESIGNED BY: <i>J.E.L.</i> CHECKED BY: <i>S.H.F.</i> MADE BY: <i>P.E.</i>	NO. DATE REVISION INIT.



FERRIC CHLORIDE SUMP PUMP
ELEMENTARY

PRIMARY SLUDGE CROSS COLLECTOR
ELEMENTARY



In charge of <i>J.E.L.</i>	NO.	DATE	REVISION	INIT.
Designed by <i>J.E.L.</i> Checked by <i>S.H.F.</i>				
Made by <i>P.E.</i>				

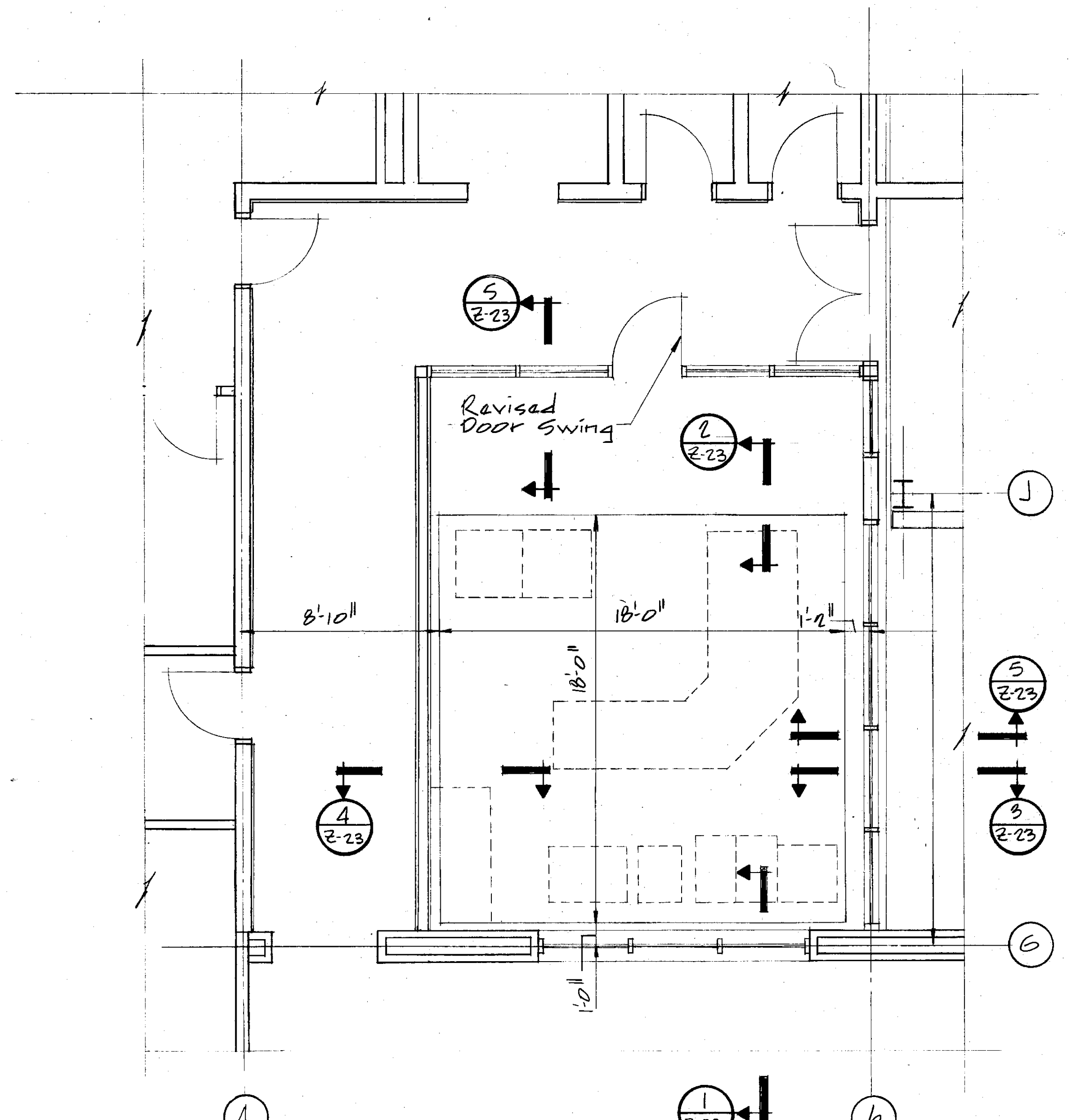


Electrical
OAK ORCHARD
CLARIFICATION DRAWING

FILE NO. 115.219.255F	Z-22
DATE April 1979	

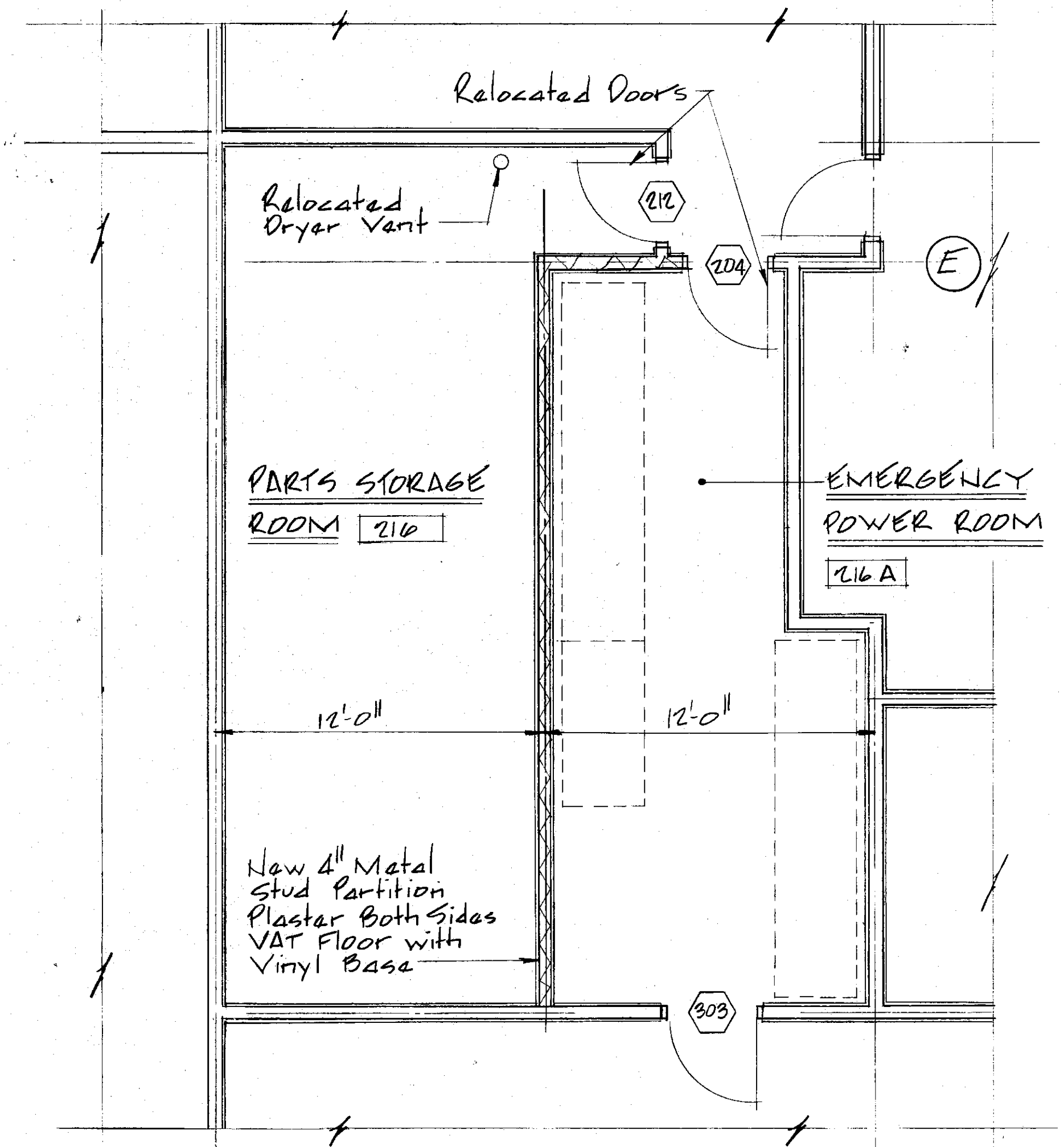
BEL

In charge of _____	SCALE: AS SHOWN	NO. DATE REVISION INIT.		CLAY SANITARY DISTRICT OAK ORCHARD SERVICE AREA OAK ORCHARD WATER POLLUTION CONTROL PLANT	RECORD DRAWING Z-DRAWINGS Z-21R & Z-22	FILE NO. 115.219-401RD DATE AUGUST, 1980	RD-14
Designed by _____ Checked by _____							
Made by <i>D.J.H.</i>							



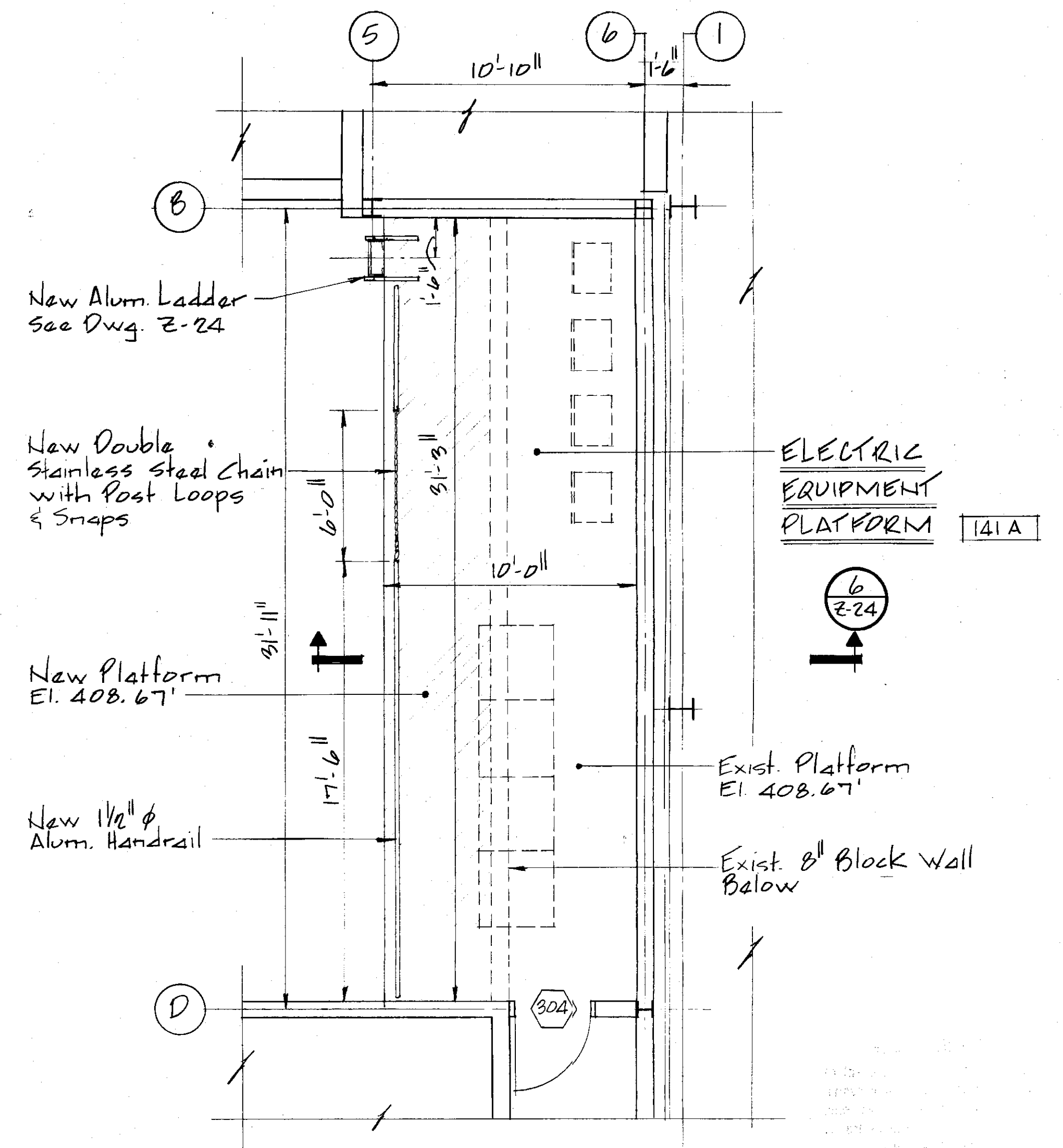
PLAN @ CONTROL ROOM

Scale: 1/4" = 1'-0"



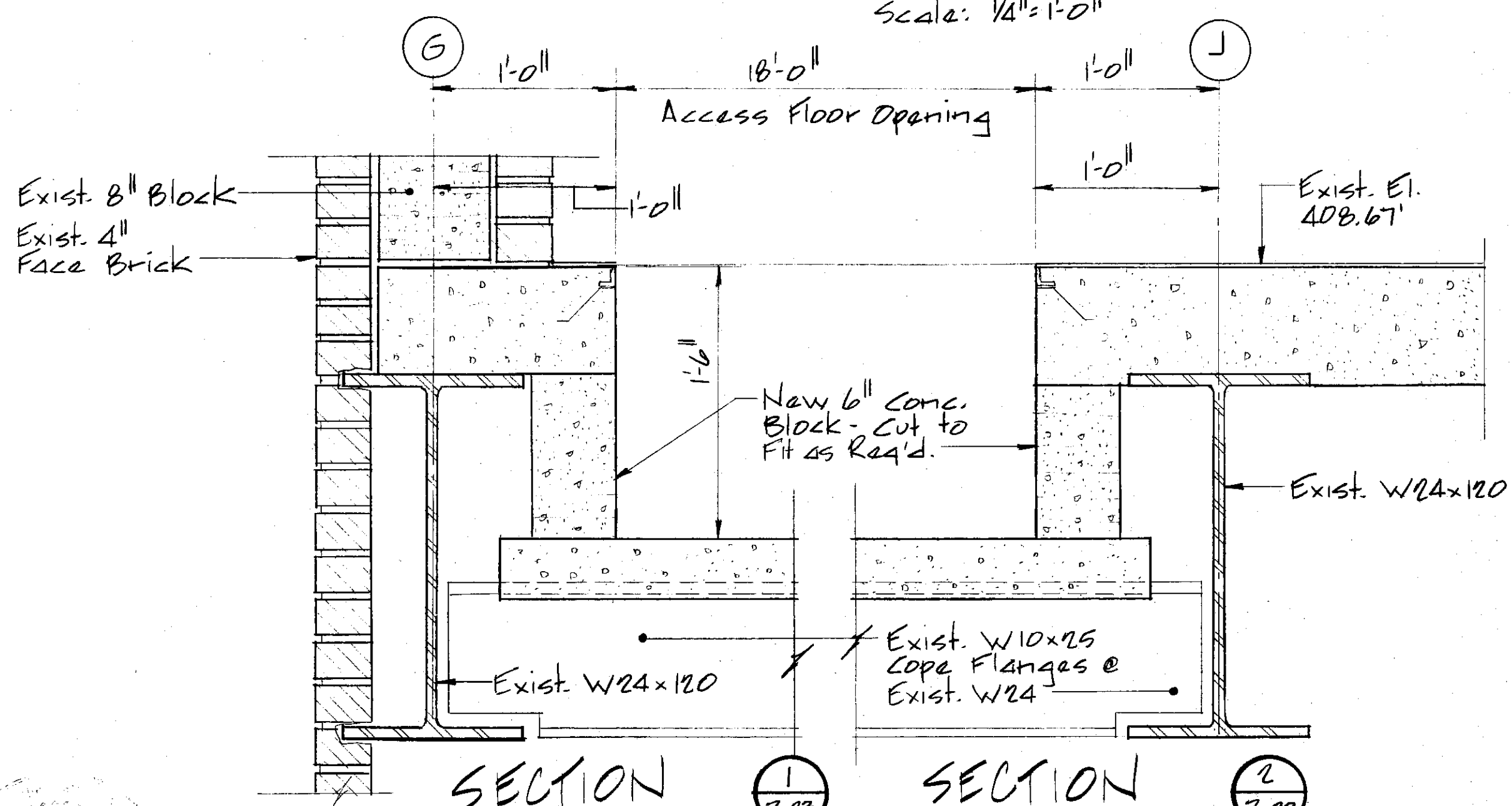
PARTIAL PLAN

Scale: 1/4" = 1'-0"



PLAN - UPPER GARAGE

Scale: 1/4" = 1'-0"

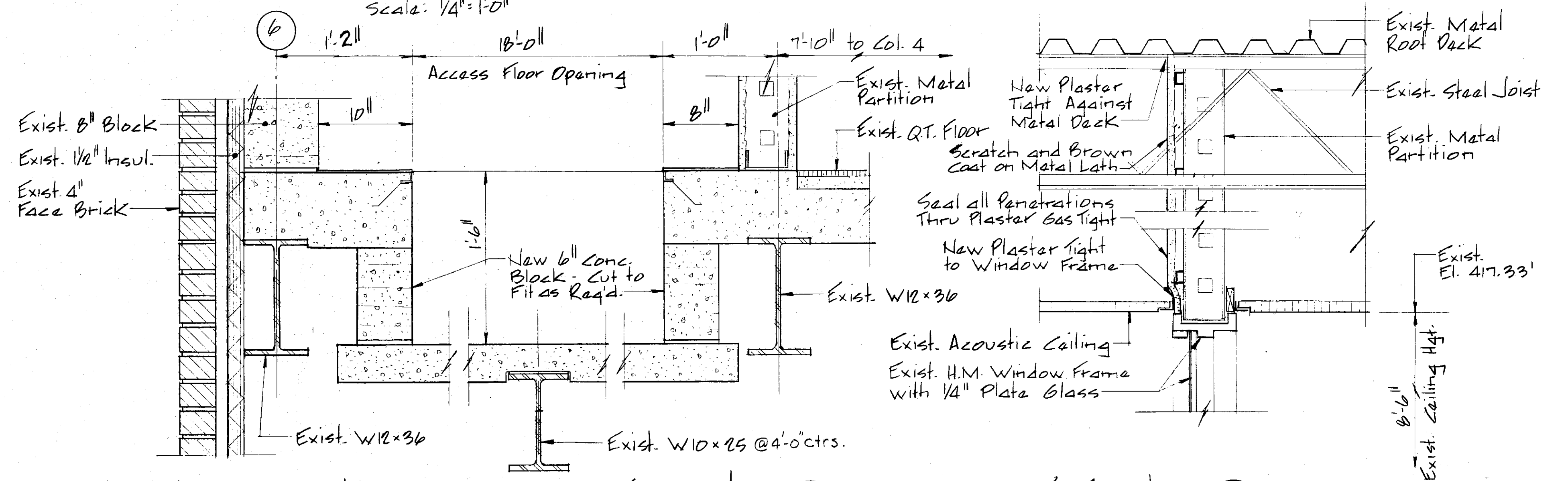


SECTION 1

SECTION 2

Scale: 1/2" = 1'-0"

Scale: 1/2" = 1'-0"



SECTION 3

SECTION 4

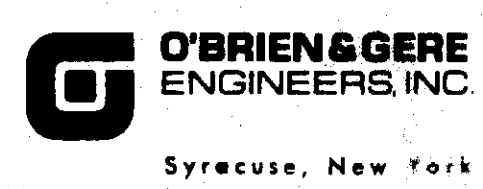
SECTION 5

Scale: 1/2" = 1'-0"

Scale: 1/2" = 1'-0"

Scale: 1/2" = 1'-0"

In charge of <i>W. K. ...</i>	1/4" = 1'-0"	NO.	DATE	REVISION	INIT.
Designed by <i>ADN</i> Checked by <i>ADN</i>	1 1/2" = 1'-0"				
Made by <i>REP</i>					



CLAY SANITARY DISTRICT
DAK ORCHARD SERVICE AREA
DAK ORCHARD WATER POLLUTION CONTROL PLANT

ARCHITECTURAL Z-23
COMPUTER ROOM MODIFICATIONS
PLANS & SECTIONS

FILE NO. 115.219-402RD	RD-15
DATE SEPT. 8, 1980	

DOOR SCHEDULE

NO.	LOCATION		SIZE			DOOR		DOOR FRAMES				THRESHOLD		LABEL	REMARKS	NO.	
	From: Keyside	To:	Width	Height	Thick	Type	Material	Louver	Material	Width	Head	Spots	Lintel				Type
302	Stairway	Emergency Power Room	3'-6"	7'-0"	1-3/4"	A	H.M.	—	H.M.	6-1/2"	4-7	J-B	—	—	—	Provide Group #17 Hardware	302
303	Emergency Power Room	Records Storage Room	3'-6"	7'-0"	1-3/4"	A	H.M.	—	H.M.	6-1/2"	4-7	J-B	—	—	Provide Group #17 Hardware	303	
304	Compressor Room	Electric Equip. Platform	3'-6"	7'-0"	1-3/4"	A	H.M.	—	H.M.	6-3/4"	4-6	J-7	L-1	—	Provide Group #16 Hardware	304	

Note: For Door Details See Dwg. A-19 & A-20

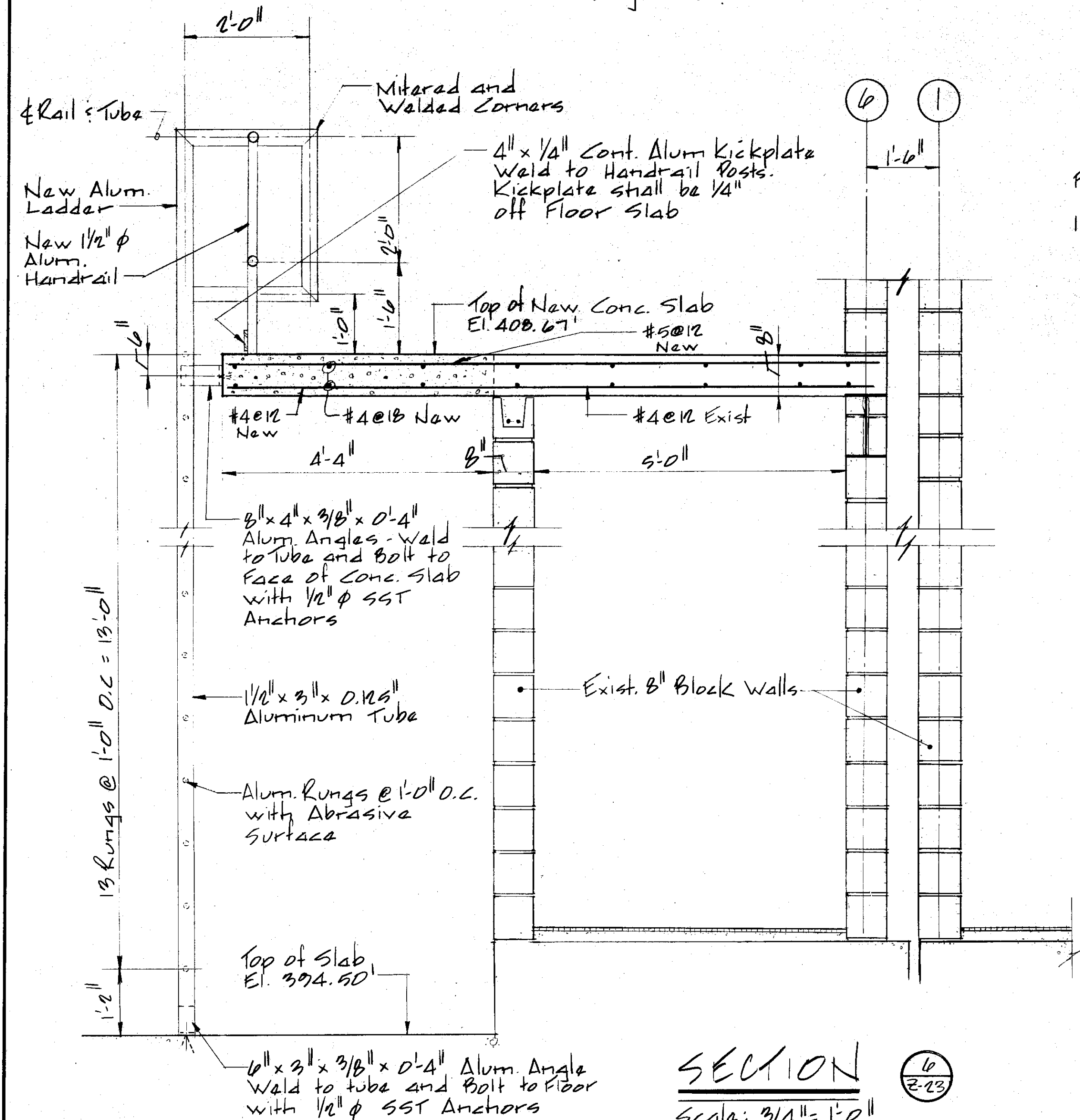
Notes:

1. Door No. 302 shall be located at the North Wall of Corridor 207 in lieu of Door No. 204.
2. Door No. 204 shall be located at the East End of Emergency Power Room 216A.
3. New Closer scheduled for Door #302 shall be installed on Door #204.
4. "New" Work as Noted on 2-23 & 2-24 means Work in Addition to Original Contract.
5. "Existing" Work means Work Included in Original Contract, Not Necessarily Already Constructed.

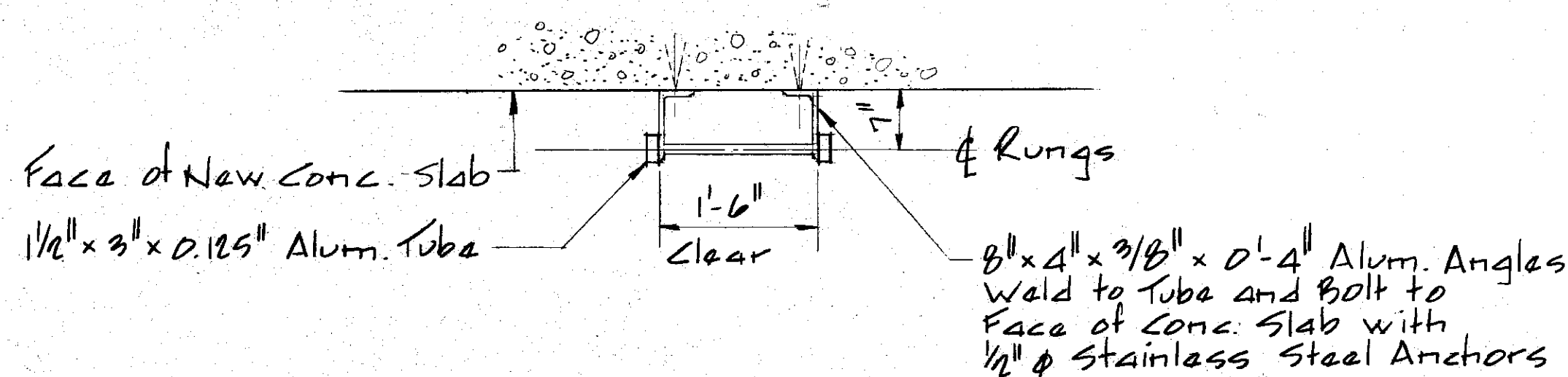
ROOM FINISH SCHEDULE

NO.	ROOM NAME	FLOOR			BASE			WALLS			CEILING		DOOR FRAMES			DOORS			REMARKS	NO.	
		Material	Finish	Color	Material	Finish	Color	Material	Finish	Color	Material	Finish	Color	Material	Finish	Color	Material	Finish			Color
141A	Electric Equip. Platform	Conc.	Hdr.	—	—	—	—	—	—	—	—	—	—	H.M.	Paint	•	H.M.	Paint	•		141A
216	Parts Storage Room	—	—	—	Vinyl*	—	•	PCPL*	P-A	•	—	—	—	H.M.	Paint	•	H.M.	Paint	•	* South Wall	216
216A	Emergency Power Room	—	—	—	Vinyl*	—	•	PCPL*	P-A	•	—	—	—	H.M.	Paint	•	H.M.	Paint	•	* North & East Wall	216A

Note: Work Required on this Schedule is an addition and shall be included with work Required by Schedules on Dwg. A-2 & A-3



SECTION
Scale: 3/4" = 1'-0"

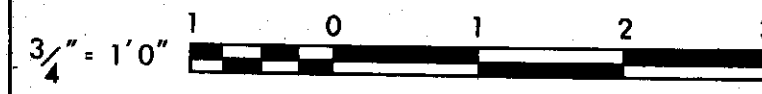


PLAN - ALUMINUM LADDER

Scale: 3/4" = 1'-0"

JLL: jll

In charge of <u>Alan K. ...</u>	NO.	DATE	REVISION	INIT.
Designed by <u>ADP</u> Checked by <u>KON</u>				
Made by <u>RFB</u>				



O'BRIEN & GERE
ENGINEERS, INC.
Syracuse, New York

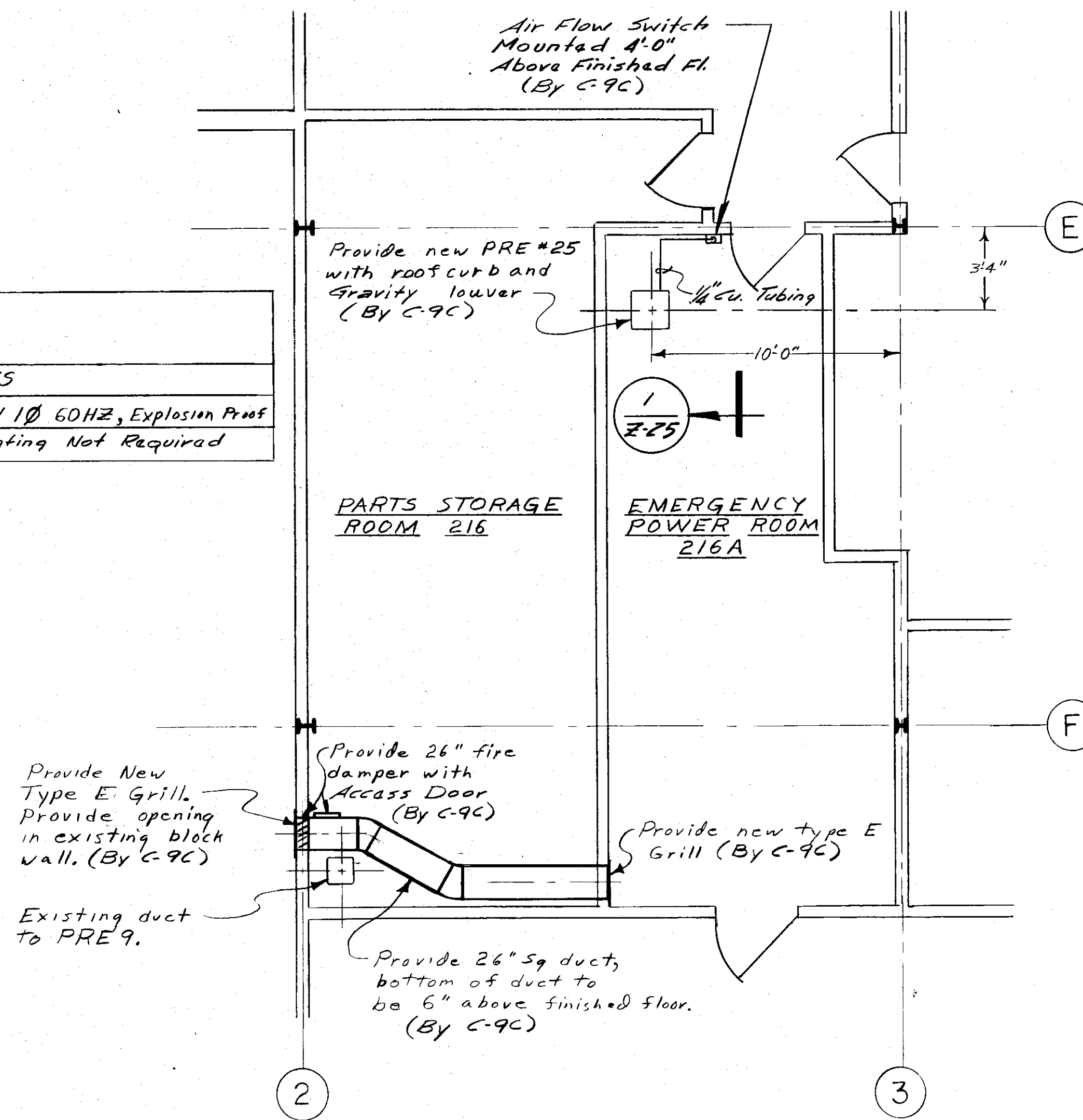
CLAY SANITARY DISTRICT
DAK ORCHARD SERVICE AREA
DAK ORCHARD WATER POLLUTION CONTROL PLANT

ARCHITECTURAL **Z-24**
COMPUTER ROOM MODIFICATIONS
SCHEDULES & SECTIONS

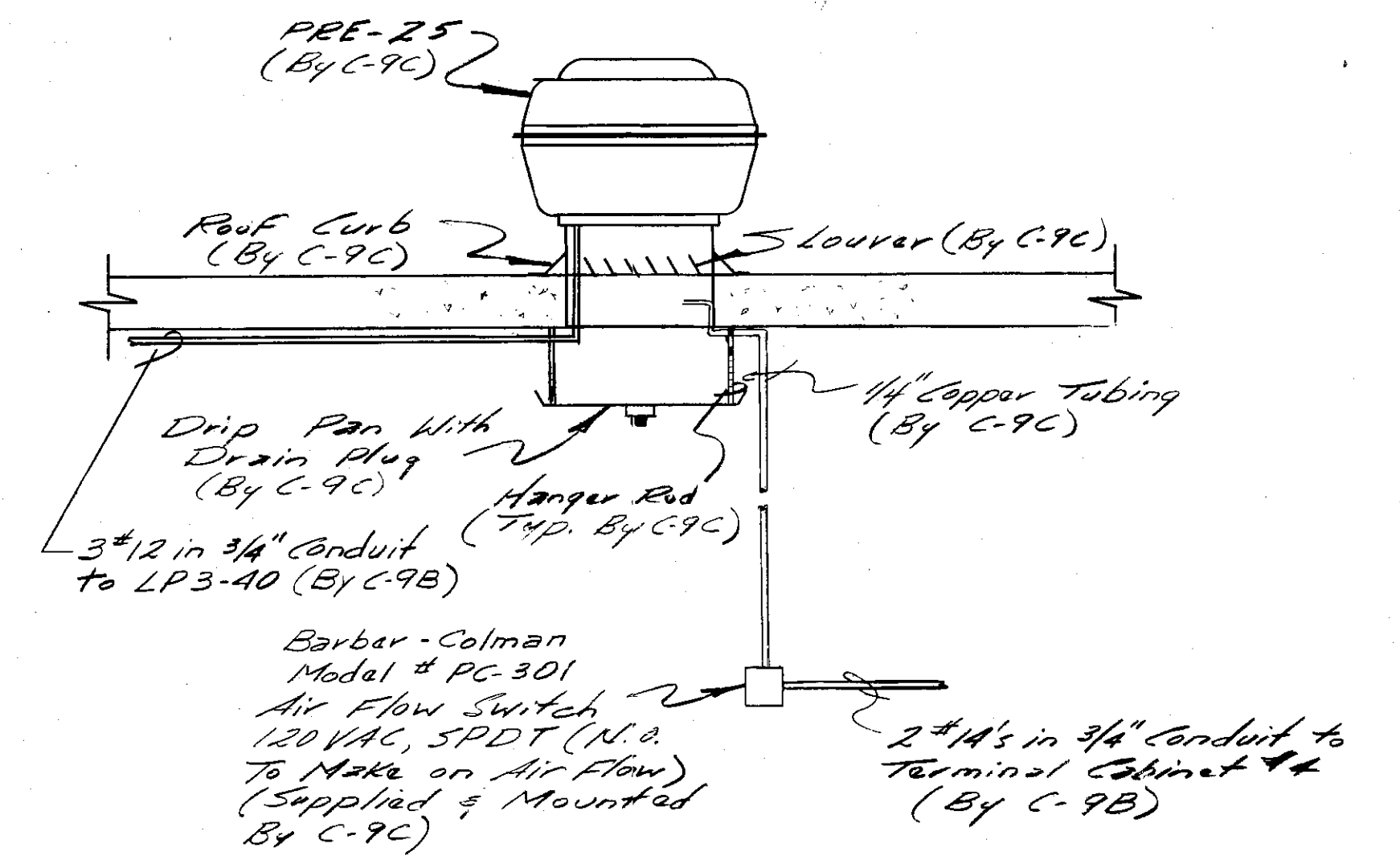
FILE NO.
115.219-403 RD
DATE
SEPT. 8, 1980

RD-16

POWERED EXHAUSTER							
No.	Location	HP	CFM	SP	RPM	TYPE	REMARKS
PRE 25	Eng. Power Room Unit A	1/3	2239	1/4	953	C	Belt Driven, 120V 1Ø 60HZ, Explosion Proof Eisan-Haiss Coating Not Required



UNIT "A" - 2ND FLOOR PARTIAL PLAN
Scale: 1/4" = 1'-0"

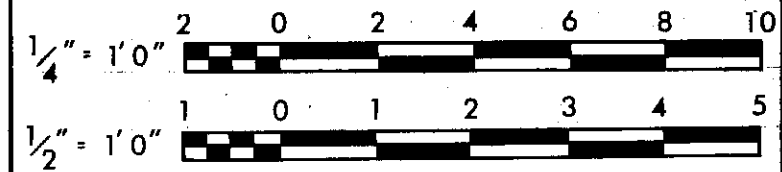


SECTION 1
Z-25
Scale: 1/2" = 1'-0"

BLL *[Signature]*

MOD 3C Contract C9C & MOD 28B Contract C9B

In charge of <i>[Signature]</i>	NO.	DATE	REVISION	INIT.
Designed by TEL Checked by J.H.F.				
Made by TEL/PE				



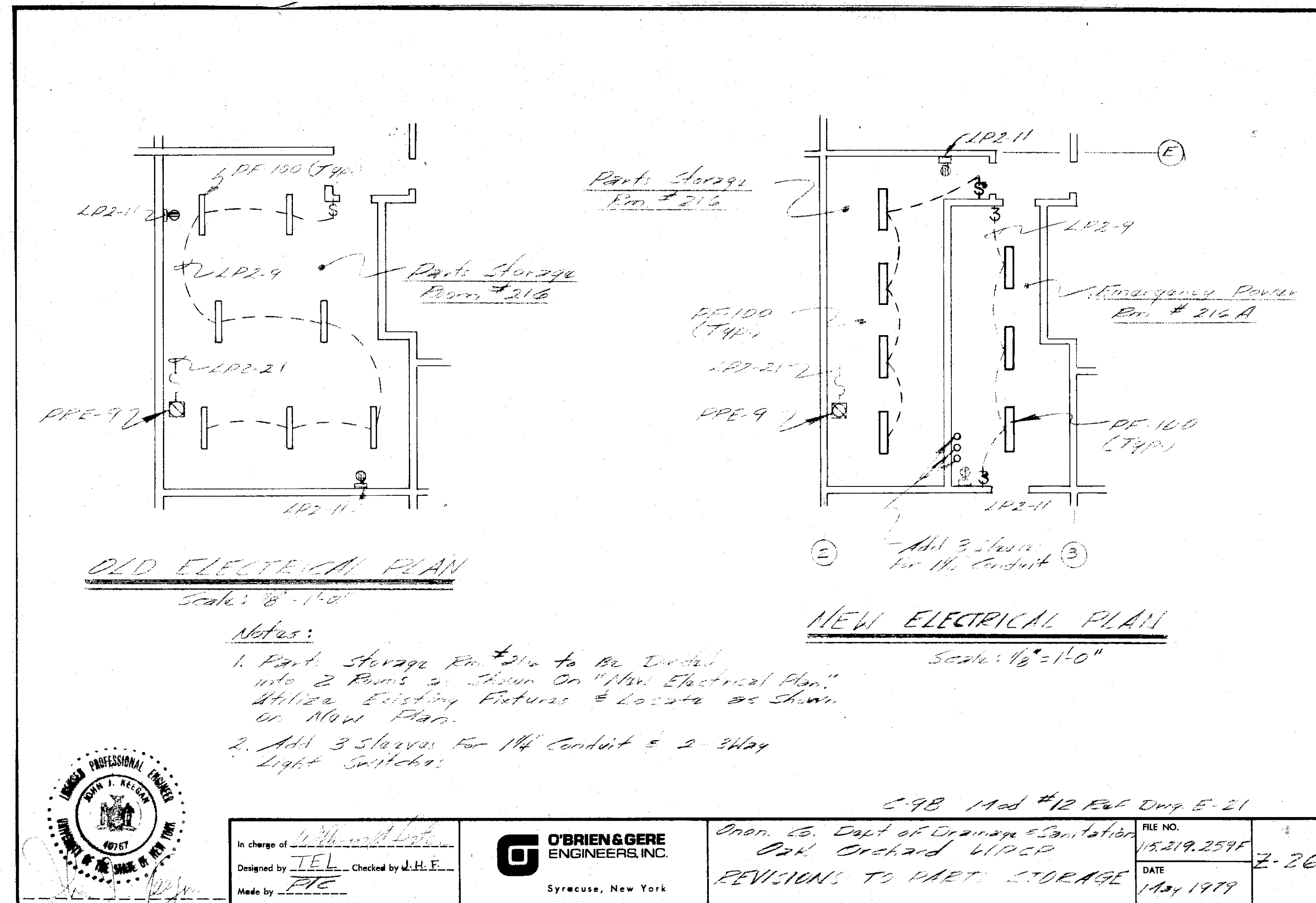
O'BRIEN & GERE
ENGINEERS, INC.
Syracuse, New York

CLAY SANITARY DISTRICT
OAK ORCHARD SERVICE AREA
OAK ORCHARD WATER POLLUTION CONTROL PLANT

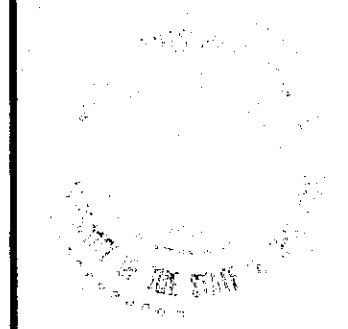
H&V
SUPPLY & EXHAUST AIR
EMERGENCY POWER ROOM

FILE NO.
115.219-404RD
DATE
SEPT. 8, 1980

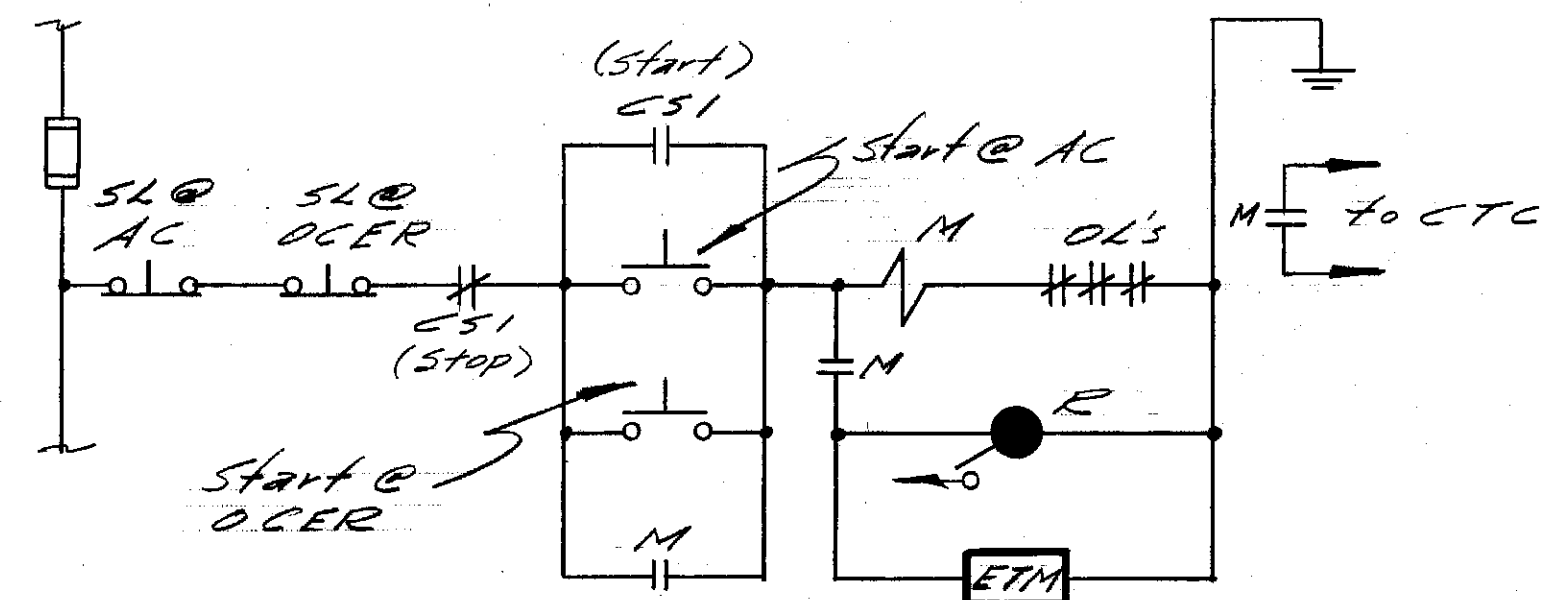
RD-17



301 idlao



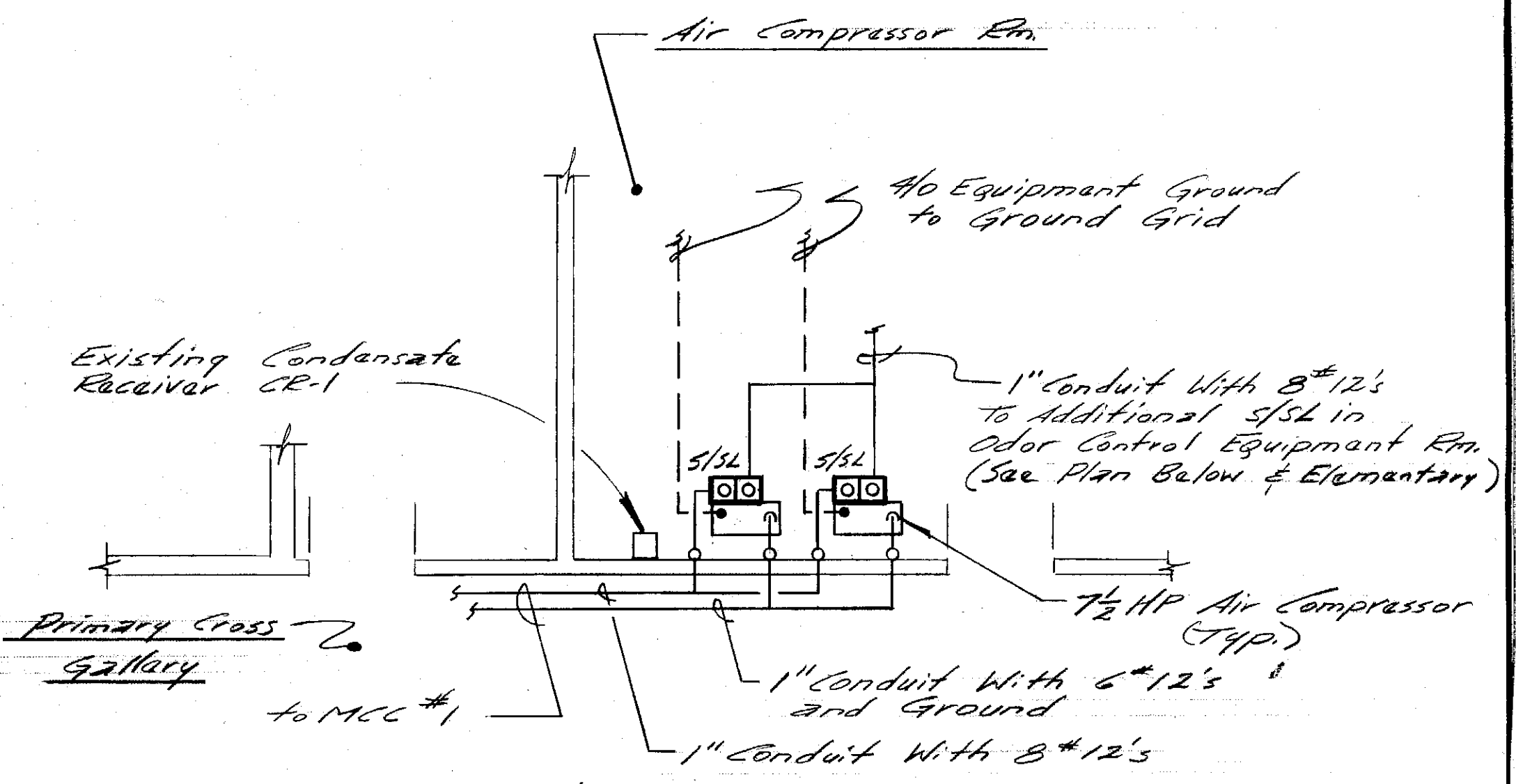
In charge of _____	SCALE: AS SHOWN	NO.	DATE	REVISION	INIT.	O'BRIEN & GERE ENGINEERS, INC. Syracuse, New York	CLAY SANITARY DISTRICT OAK ORCHARD SERVICE AREA OAK ORCHARD WATER POLLUTION CONTROL PLANT	RECORD DRAWING Z-DRAWINGS Z-26	FILE NO. 115.219-405RD	RD-18	
Designed by _____ Checked by _____											DATE AUGUST, 1980
Made by <u>DJH</u>											



ELEMENTARY

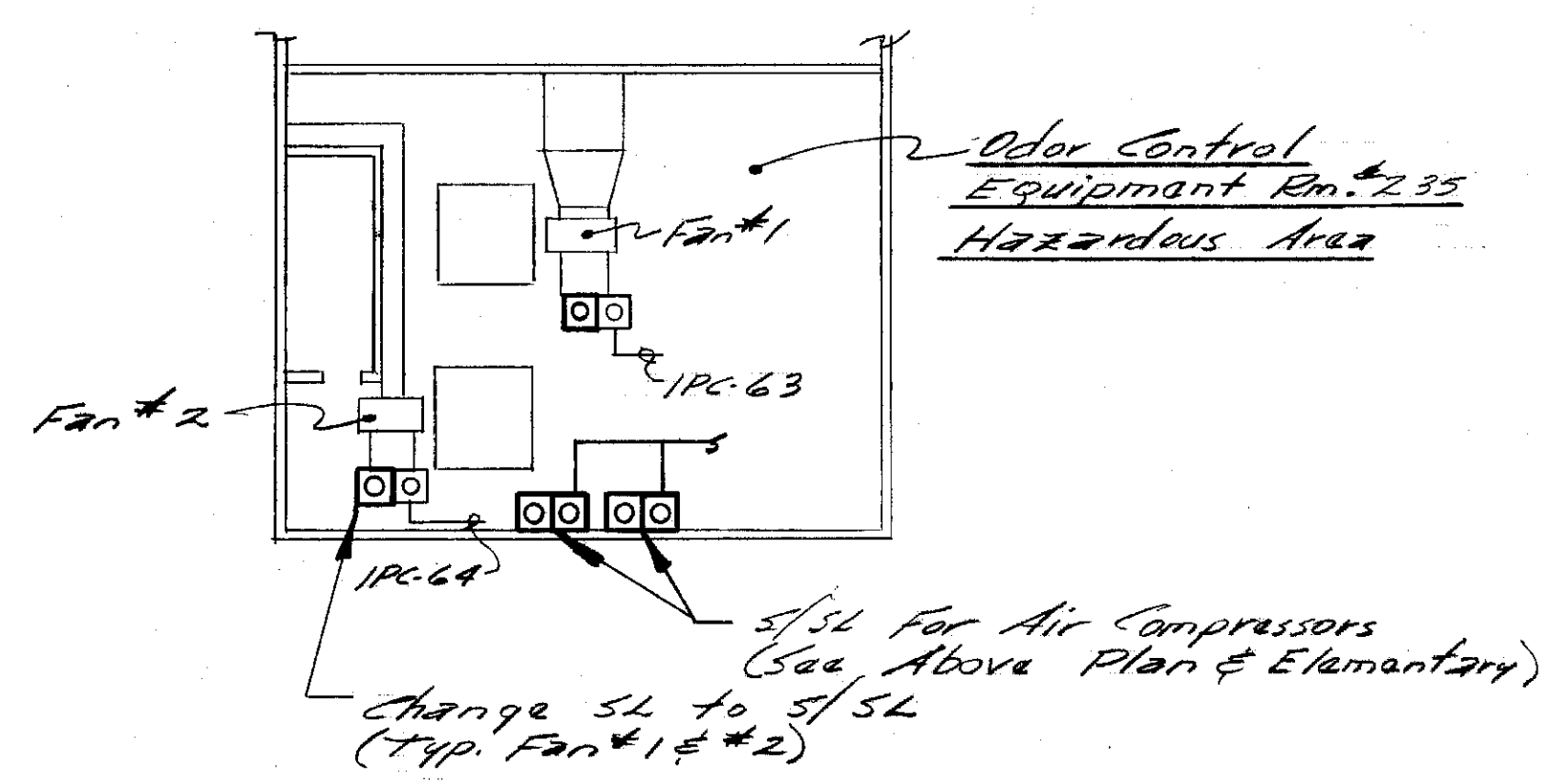
Notes:

1. Modify Existing spare Comp. #1311 & 18AB in MCC #1 By Adding ETM as shown Above. Refer to Square D Dwg. D12-06755-1A1 Pg. 2 & 1A2 Pg. 4
2. Add Two s/sl (Start-Stop Lockouts) as shown - One Located at Air Compressor (AC) & One in Odor Control Equipment Rm. (OCER) TYP
3. In Odor Control Equipment, stop Lockouts (SL) for Fan #1 & #2 are to be changed to start/stop lockouts (s/sl)
4. Provide 15 Amp MCP for 7 1/2 HP Motor Starters in MCC #1



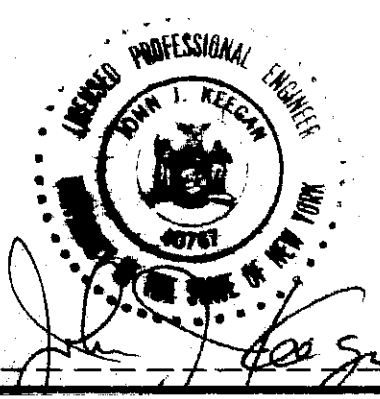
PLAN- AIR COMPRESSOR RM.

Scale: 1/8" = 1'-0"

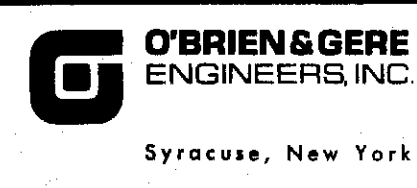


PLAN- ODDOR CONTROL RM.

Scale: 1/8" = 1'-0"



NO.	DATE	REVISION	INIT.
1	5-14-79	Dwg. No Was E-26, Fig #15.185.259F	WAF

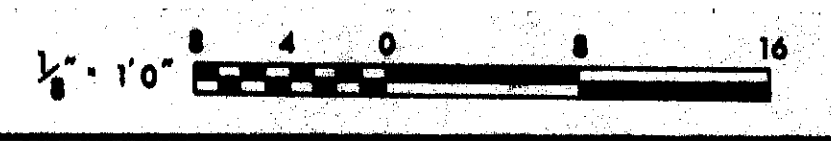
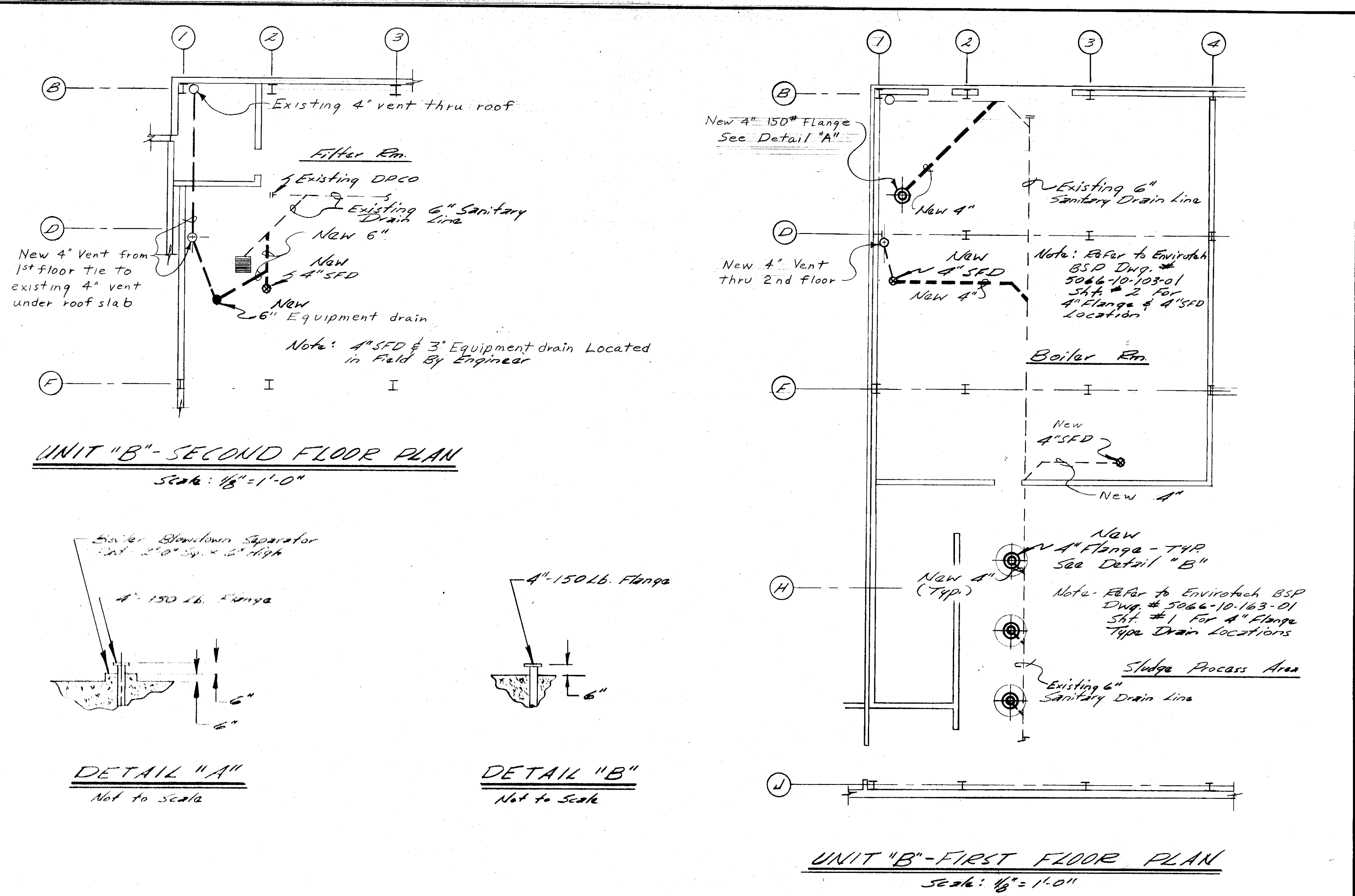


Onon. County Dept. of Drainage & Sanitation
Oak Orchard Water Pollution Control Plant
VIROTROL AIR COMPRESSORS

FILE NO.	115.219-260F
DATE	MAY 2, 1979
REVISION	Z-27R

C-9C Mod. #4
C-9B Mod. #11 REF. DWG. E-19 & 24

JCL



NO.	DATE	REVISION	INIT.

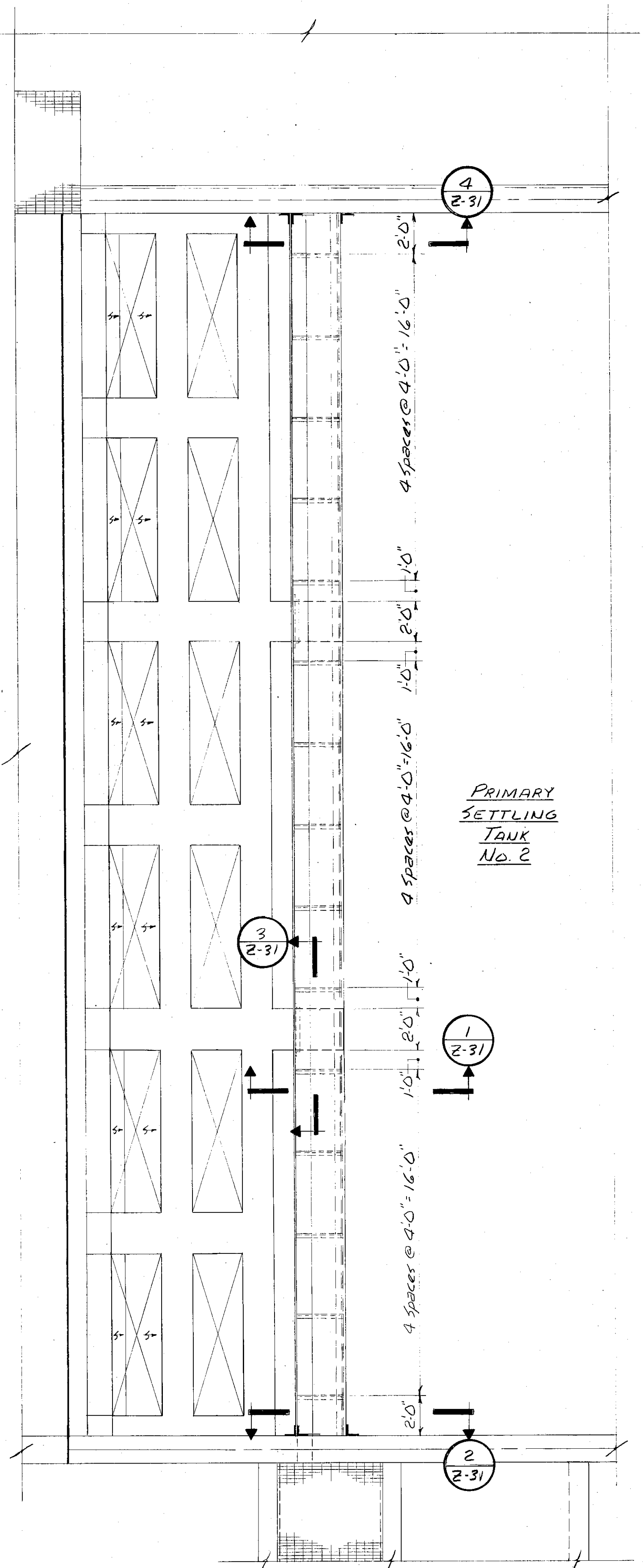
O'BRIEN & GERE
ENGINEERS, INC.
Syracuse, New York

Mod. #5 C-9D B&G Dwg. P-3 & P-4
OAK ORCHARD WPCP
BSP FLOOR DRAINS

FILE NO. 115.219.261F	Z-28
DATE May 1979	

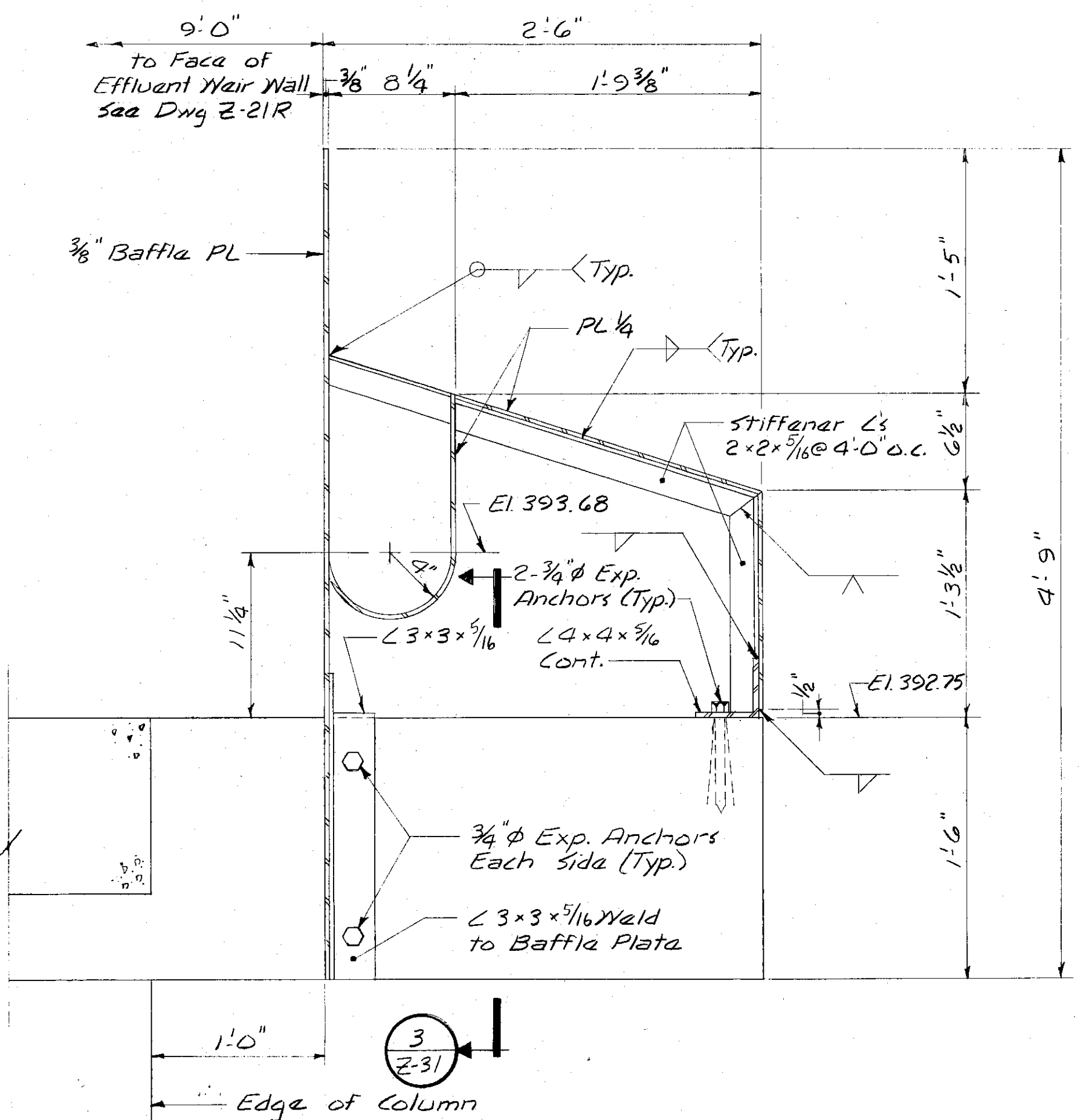
Bill Jellow

In charge of _____ Designed by _____ Checked by _____ Made by <u>DJH</u>	SCALE: AS SHOWN	NO. DATE REVISION INIT.	O'BRIEN & GERE ENGINEERS, INC. Syracuse, New York	CLAY SANITARY DISTRICT OAK ORCHARD SERVICE AREA OAK ORCHARD WATER POLLUTION CONTROL PLANT	RECORD DRAWING Z-DRAWINGS Z-28	FILE NO. 115.219-407RD DATE AUGUST, 1980	RD-20
--	-----------------	-------------------------	--	---	--------------------------------------	---	-------

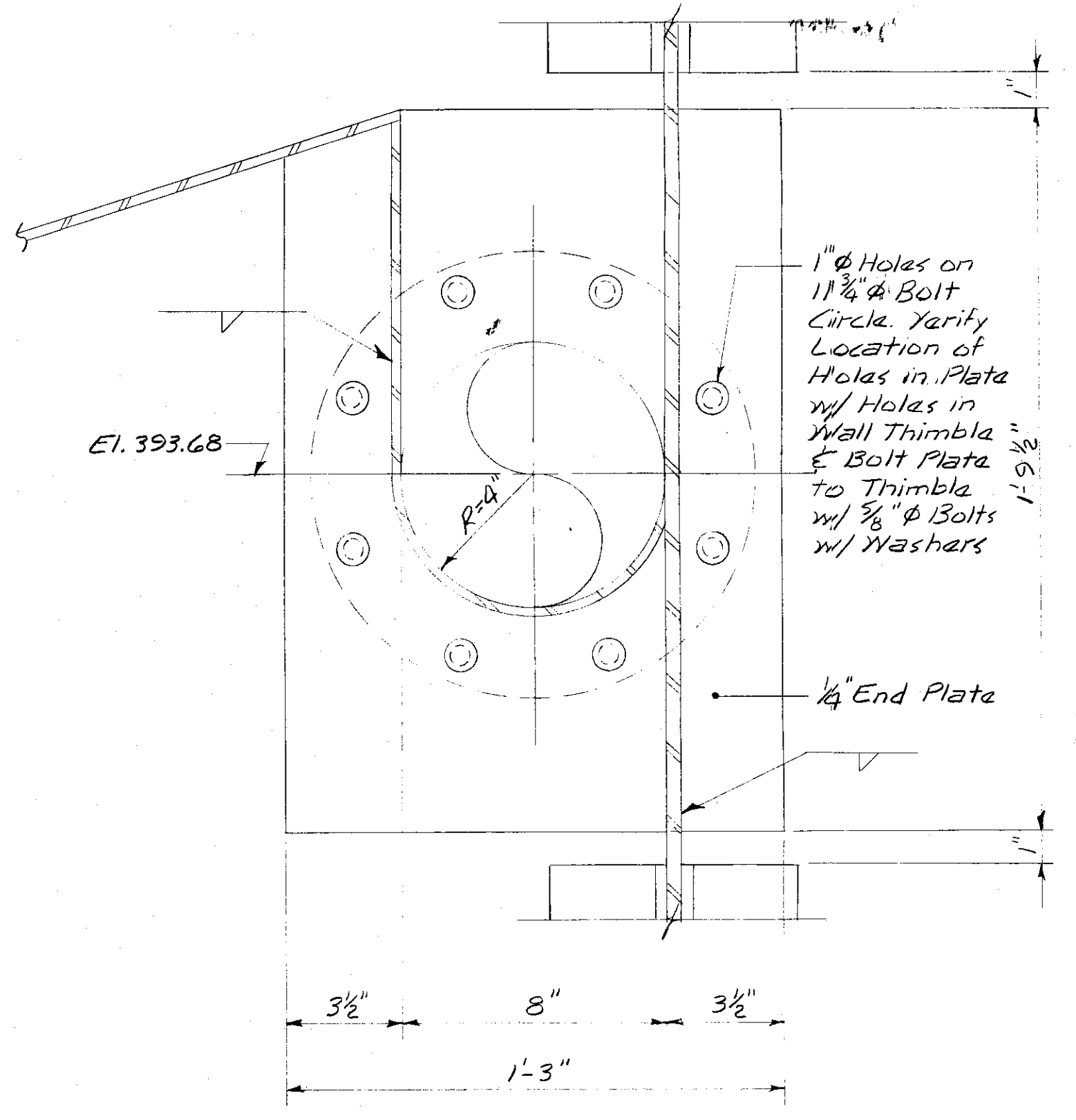


Note: Primary Settling Tank No. 1 same but opposite hand.

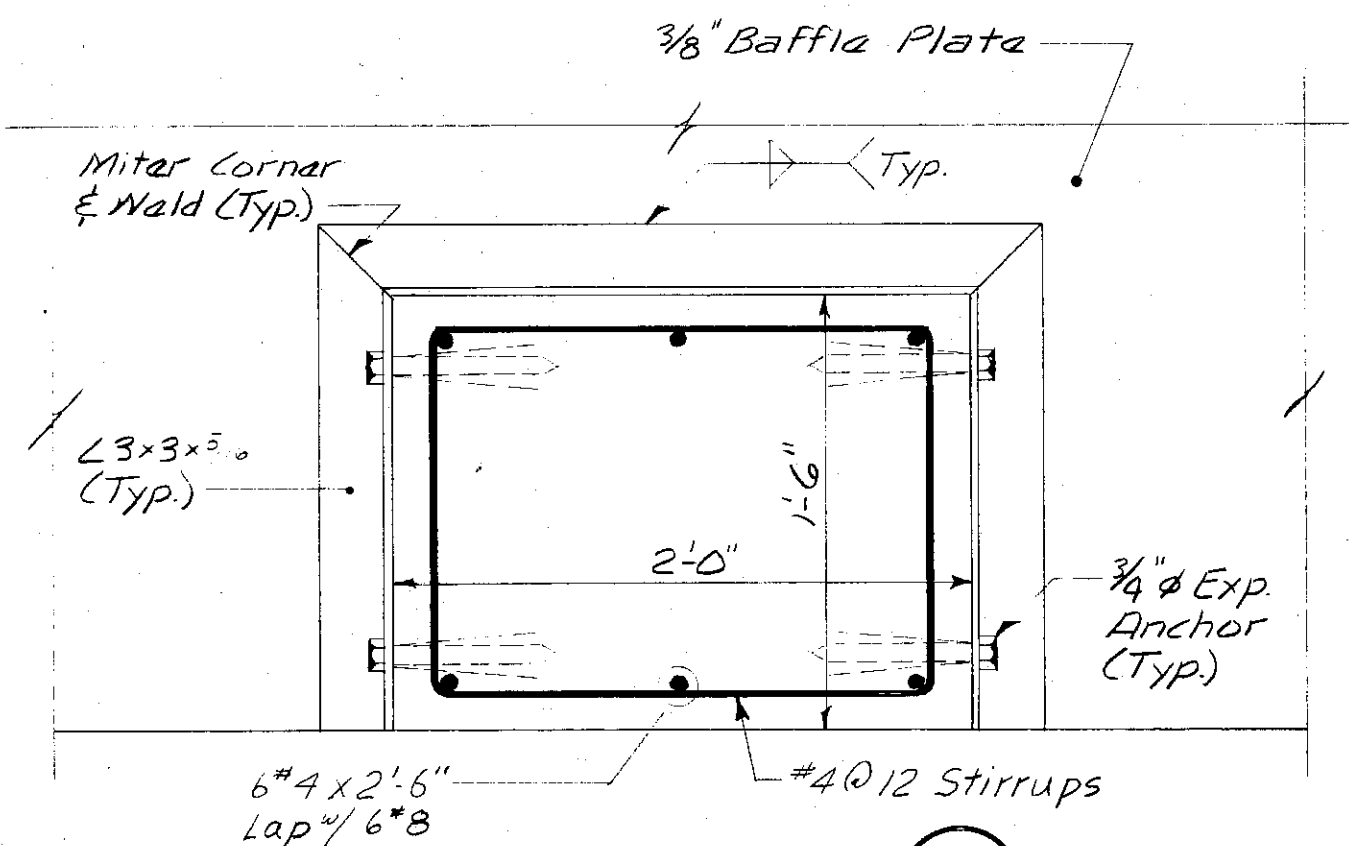
**PARTIAL PLAN @ WEST END OF
PRIMARY SETTLING TANK NO. 2**
Scale: 1/4" = 1'-0"



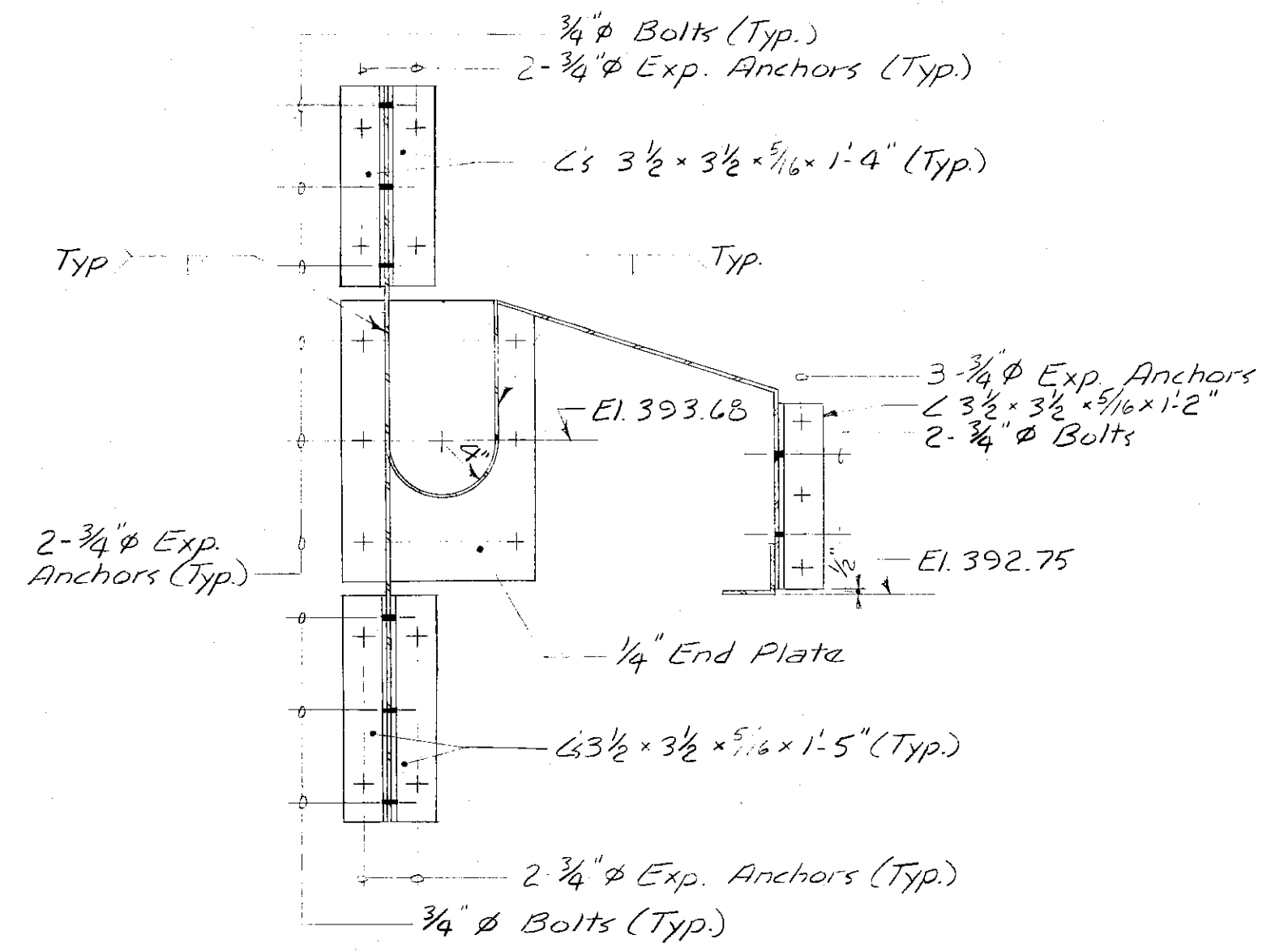
SECTION 1
Scale: 1/2" = 1'-0"



SECTION 2
Scale: 1/2" = 1'-0"



SECTION 3
Scale: 1/2" = 1'-0"

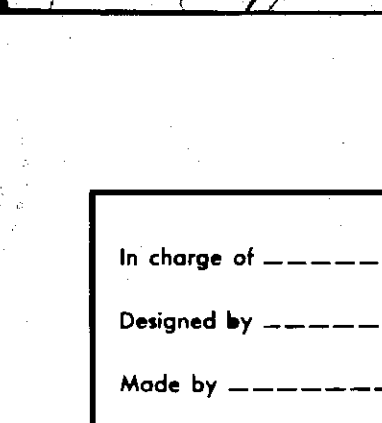
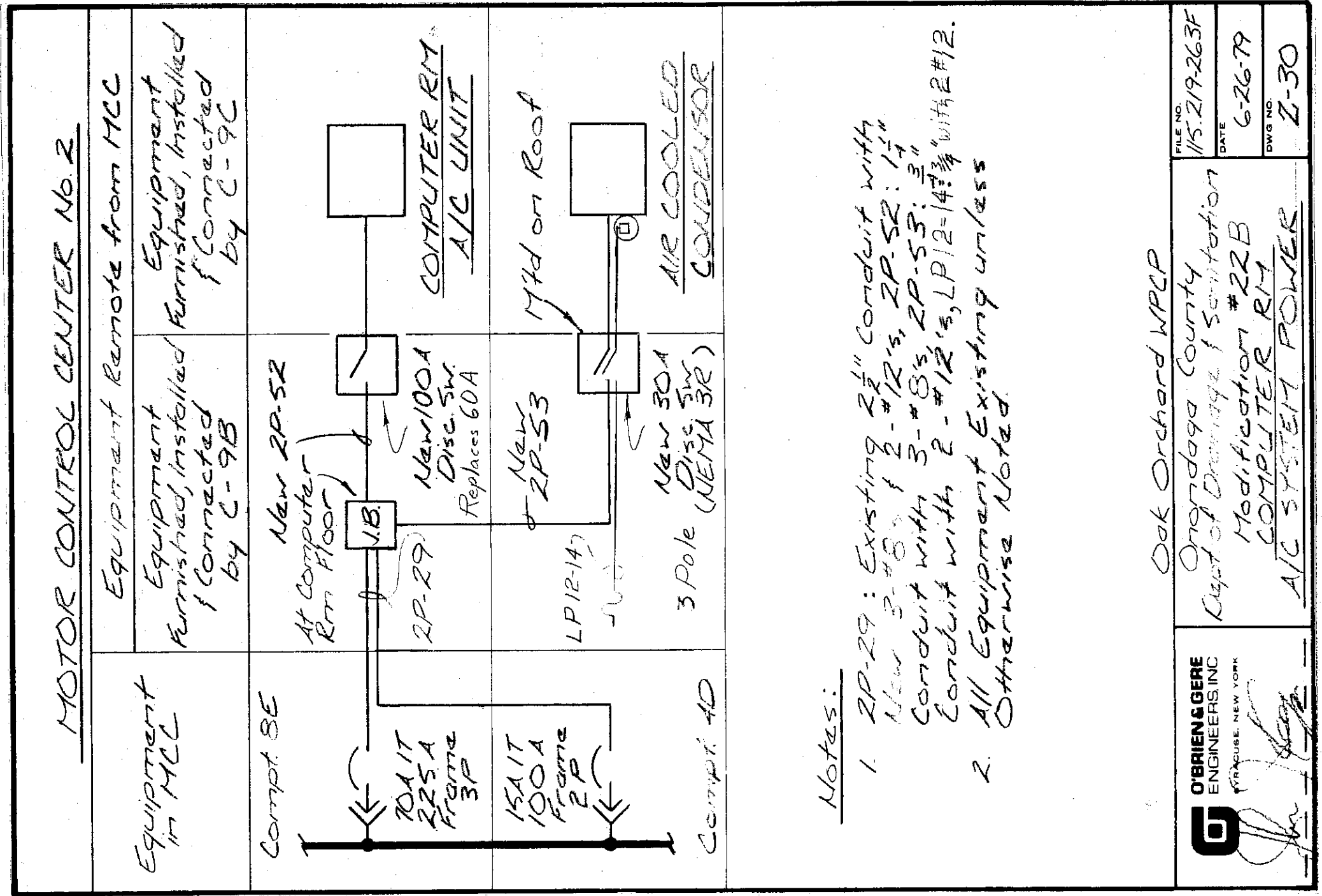
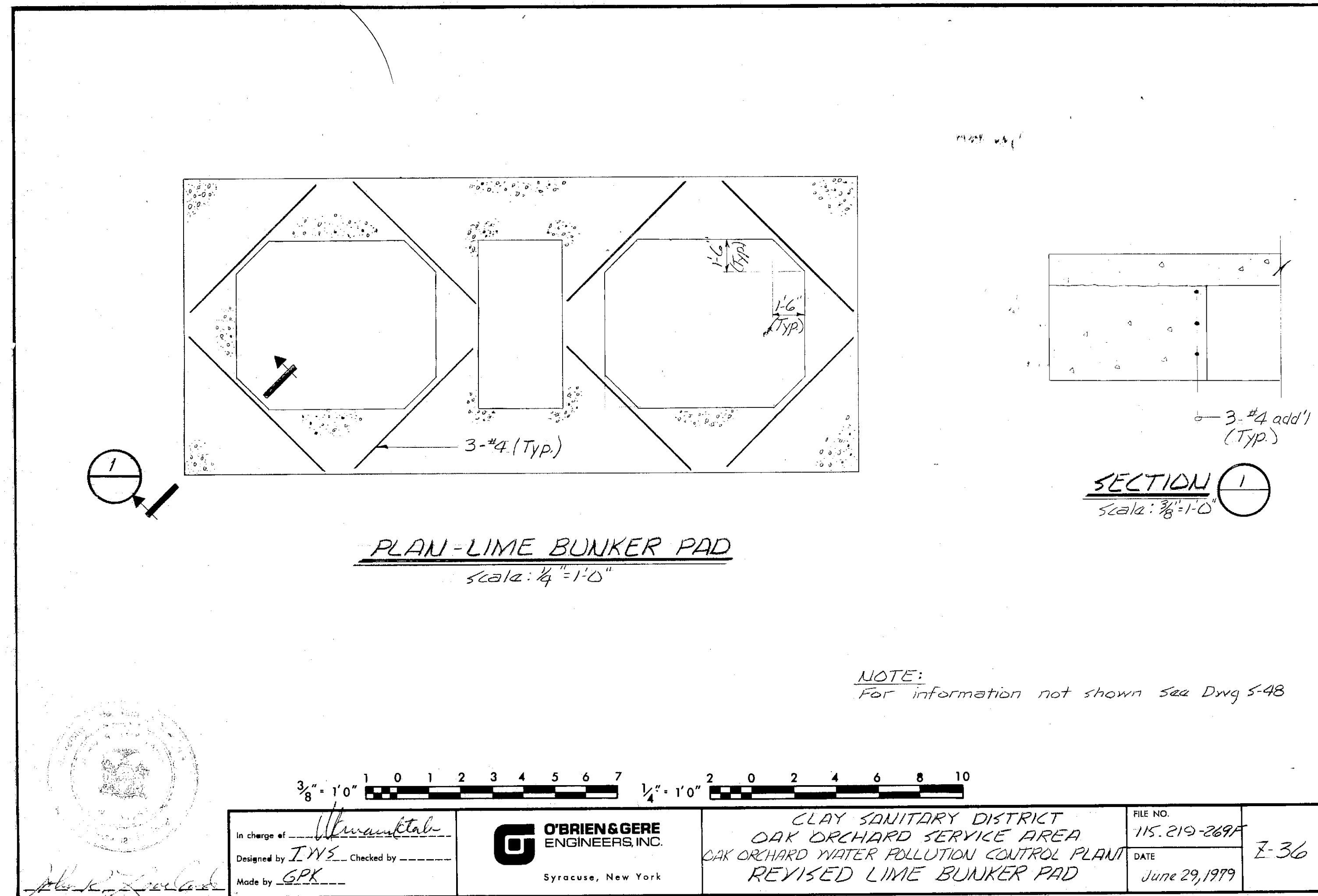
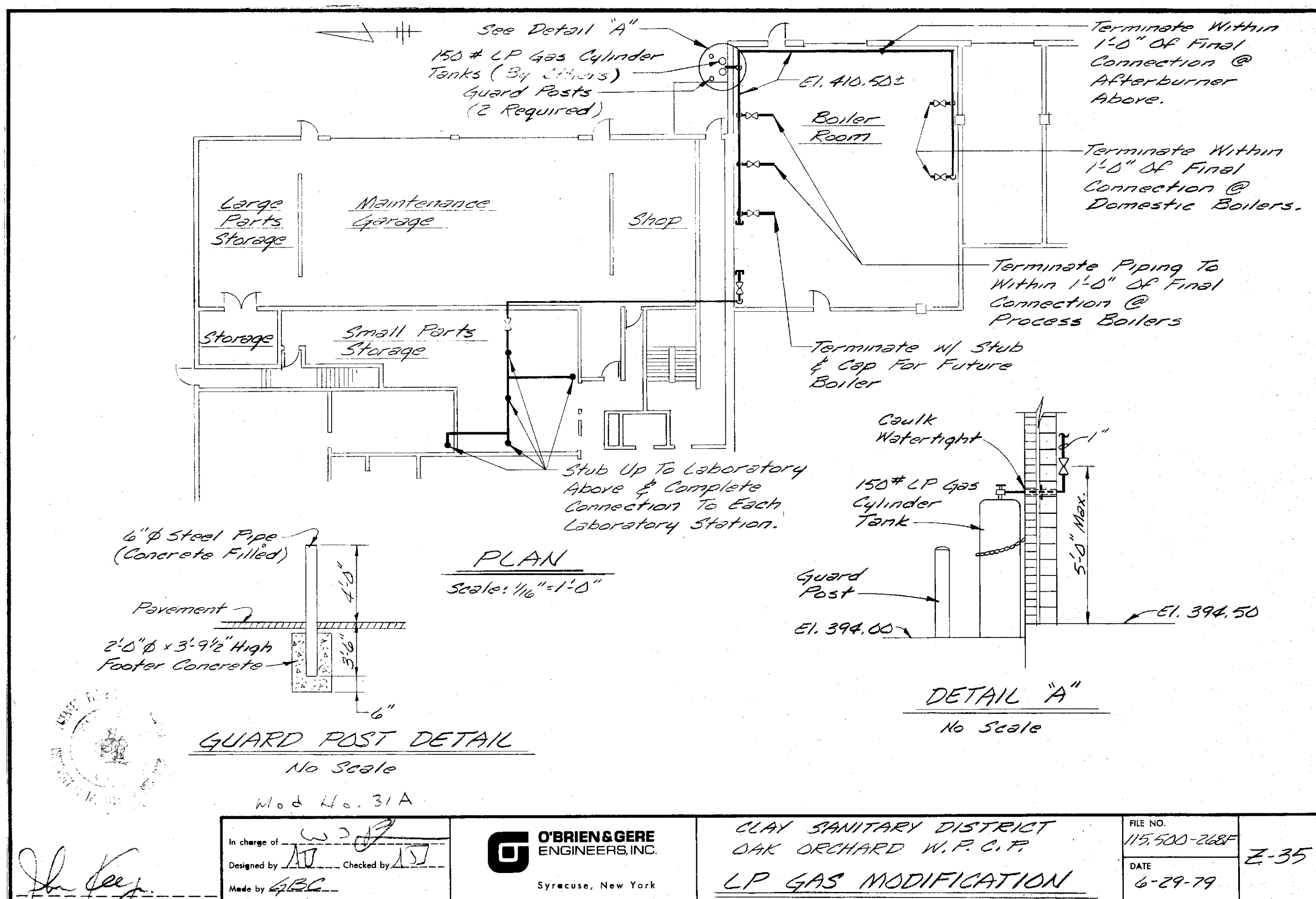


SECTION 4
Not to Scale

Note: Use Full Penetration Butt Welds, Ground Flush on Outside Face, To Splice the Trough.

J. C. Carter

In charge of <u>W. J. S.</u> Designed by <u>JWS</u> Checked by _____ Made by <u>GPK</u>		NO.	DATE	REVISION	INIT.	O'BRIEN & GERE ENGINEERS, INC. Syracuse, New York	CLAY SANITARY DISTRICT OAK ORCHARD SERVICE AREA OAK ORCHARD WATER POLLUTION CONTROL PLANT	STRUCTURAL Z-31	FILE NO.	115.219-409RD DATE SEPT. 8, 1980	RD-22

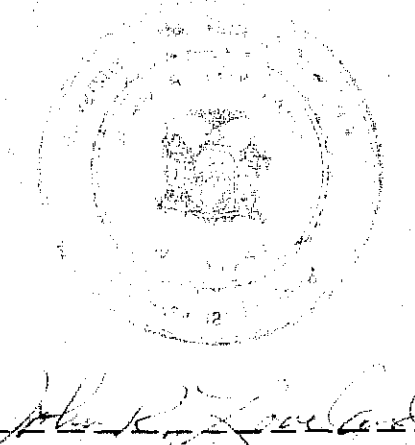


In charge of *[Signature]*
 Designed by *[Signature]* Checked by *[Signature]*
 Made by *[Signature]*

O'BRIEN & GERE
 ENGINEERS, INC.
 Syracuse, New York

CLAY SANITARY DISTRICT
 OAK ORCHARD W.P.C.P.
 LP GAS MODIFICATION

FILE NO.
 115,500-268F
 DATE
 6-29-79
 Z-35



In charge of *[Signature]*
 Designed by *[Signature]* Checked by *[Signature]*
 Made by *[Signature]*

O'BRIEN & GERE
 ENGINEERS, INC.
 Syracuse, New York

CLAY SANITARY DISTRICT
 OAK ORCHARD SERVICE AREA
 OAK ORCHARD WATER POLLUTION CONTROL PLANT
 REVISED LIME BUNKER PAD

FILE NO.
 115,219-268F
 DATE
 June 29, 1979
 Z-36

In charge of _____
 Designed by _____ Checked by _____
 Made by _____

SCALE: AS SHOWN

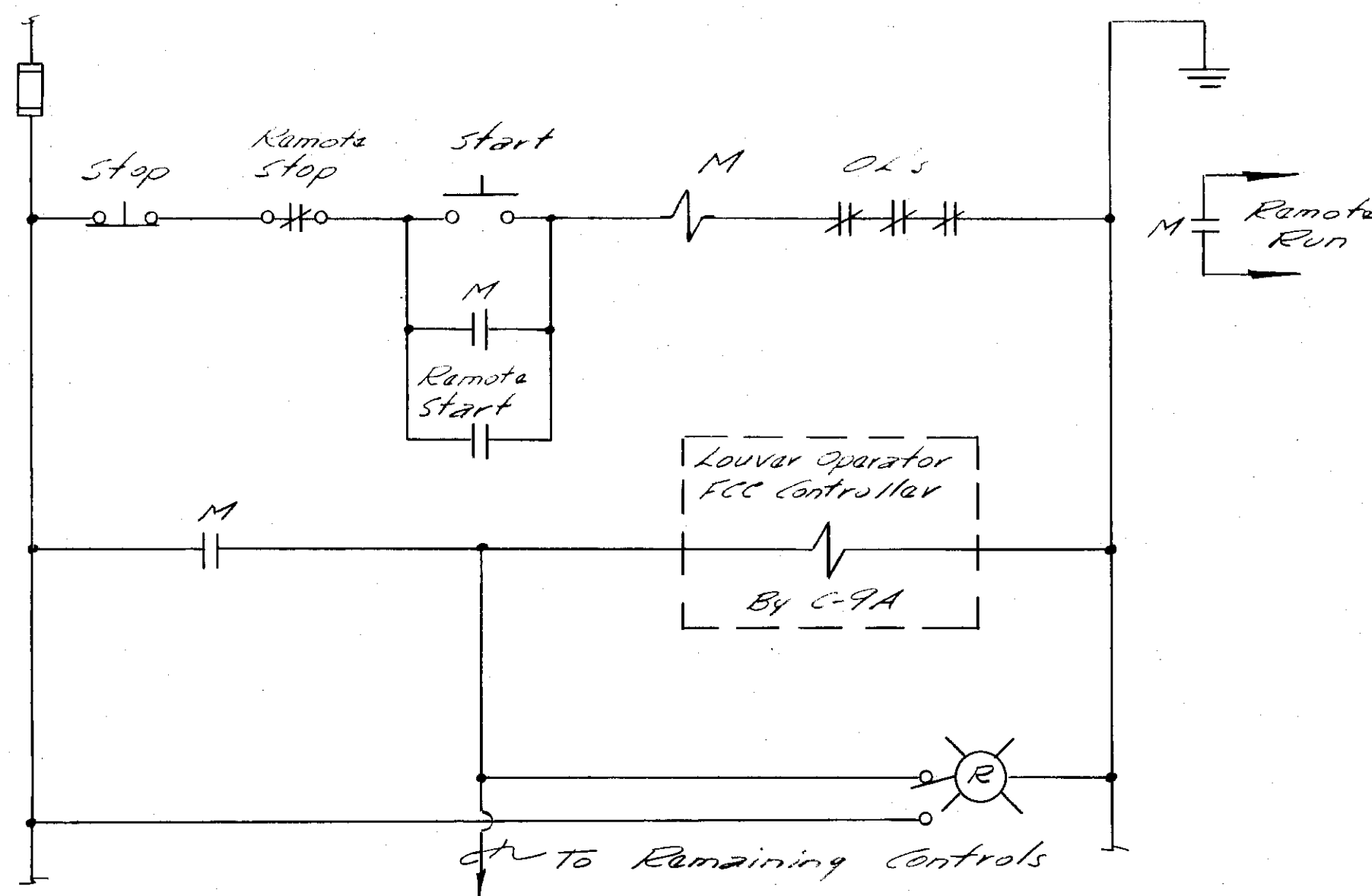
NO.	DATE	REVISION	INIT.

O'BRIEN & GERE
 ENGINEERS, INC.
 Syracuse, New York

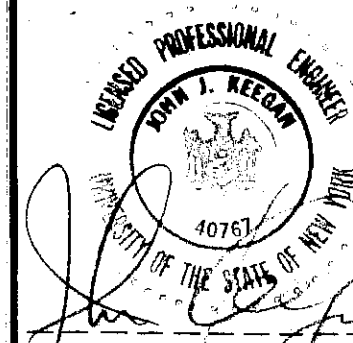
CLAY SANITARY DISTRICT
 OAK ORCHARD SERVICE AREA
 OAK ORCHARD WATER POLLUTION CONTROL PLANT

RECORD DRAWING
 Z-DRAWINGS
 Z-30, Z-35 & Z-36

FILE NO.
 115,219-410RD
 DATE
 AUGUST, 1980
 RD-23



TYPICAL HEATING CONTROL
PANEL ELEMENTARY
(FOR MAKE-UP AIR UNITS)



In charge of _____
Designed by JEL Checked by J.H.F.
Made by EC

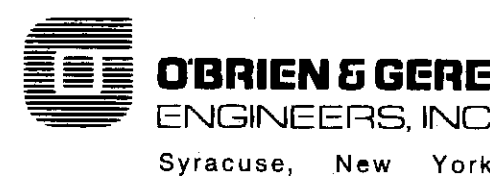


Clarification to C-9C
Onondaga Co. Dept. of Drainage & Sanitation
Oak Orchard - W.P.C.P.

FILE NO. 115.219.270F
DATE July 13, 1979
Z-37

SCALE: AS SHOWN

NO.	DATE	REVISION	INIT.

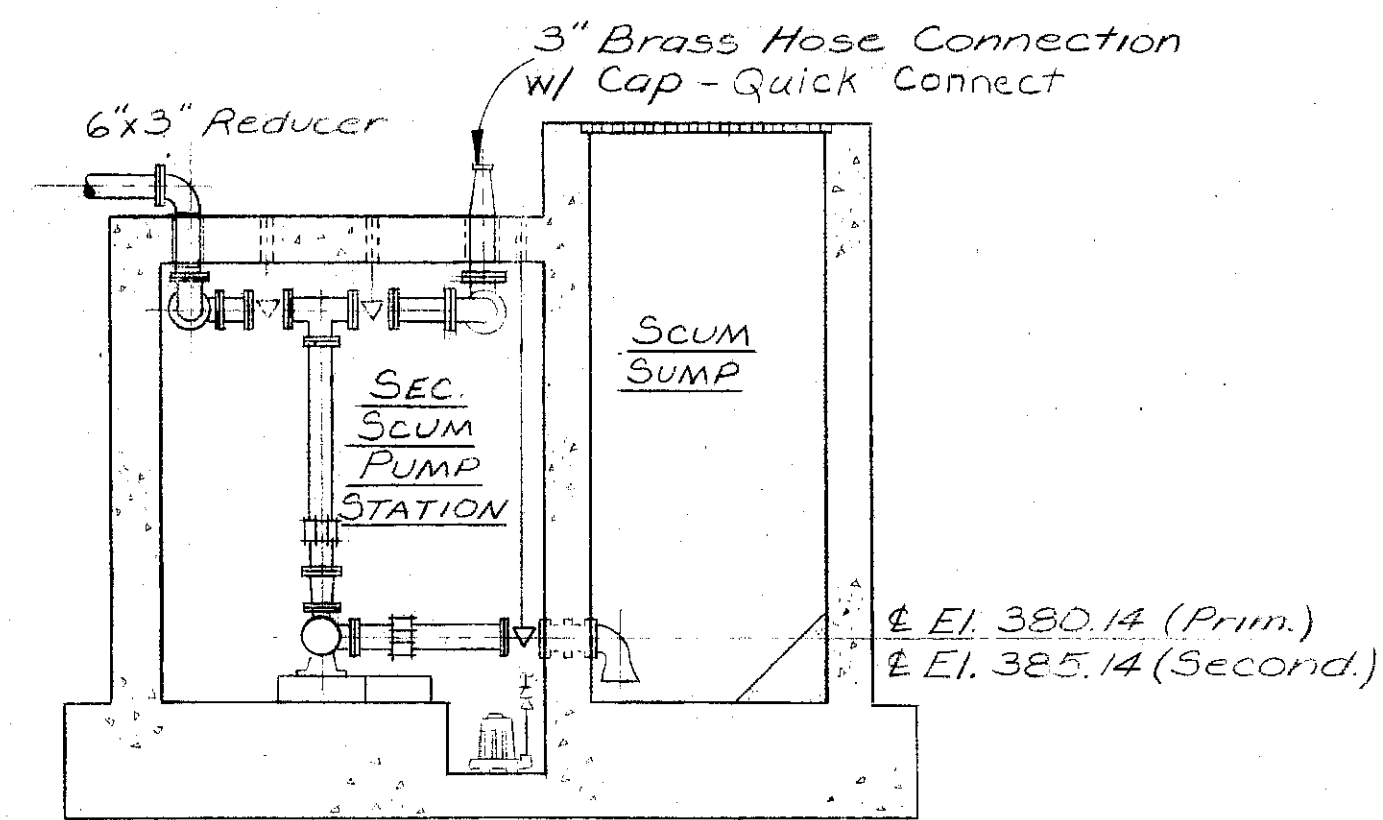


CLAY SANITARY DISTRICT
OAK ORCHARD SERVICE AREA
OAK ORCHARD WATER POLLUTION CONTROL PLANT

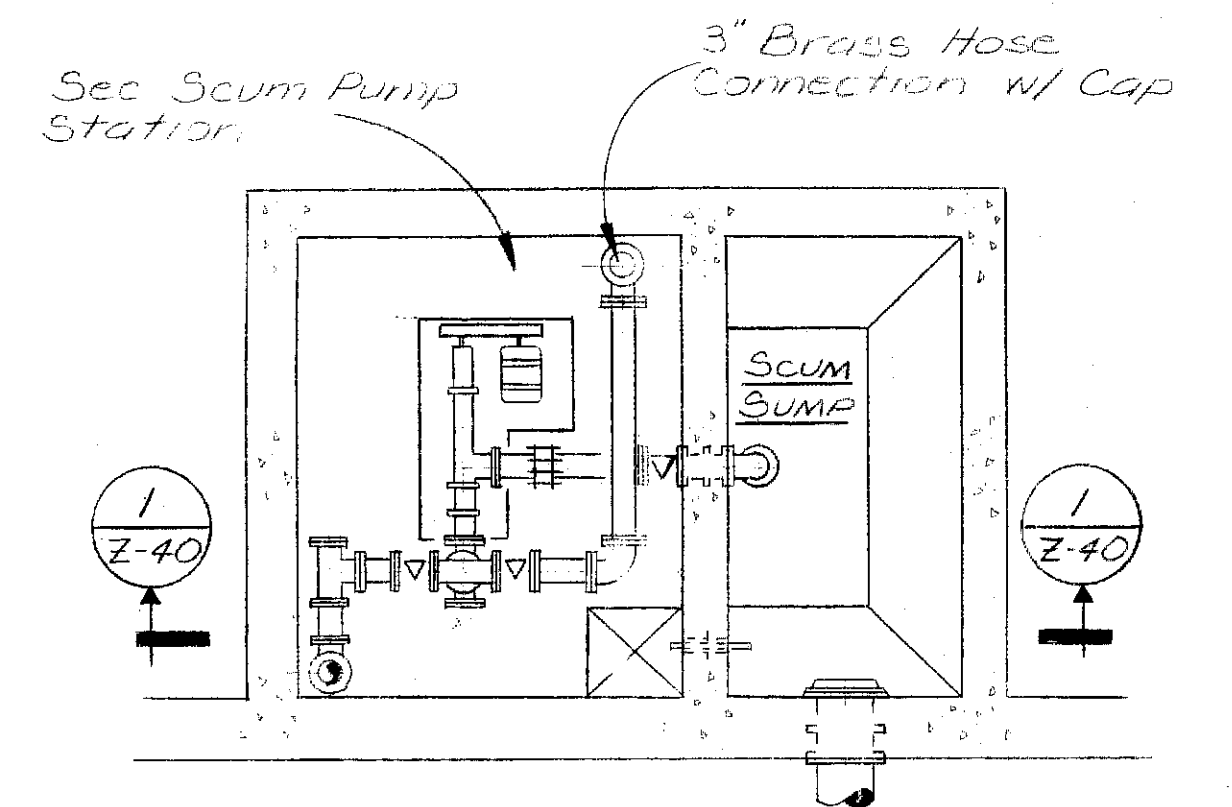
RECORD DRAWING
Z-DRAWINGS
Z-37 & Z-40

FILE NO. 115.219-411RD
DATE AUGUST, 1980

RD-24



SECTION 1/2-40
No Scale

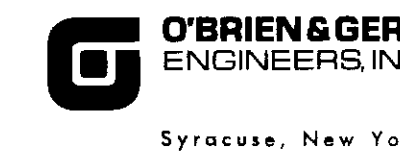


PLAN
No Scale

Note:
Modifications are typical for Primary and Secondary Scum Pump Stations.

Handwritten signature and initials

In charge of _____
Designed by J.K.P. Checked by J.K.P.
Made by J.P.C.



CLAY SANITARY DISTRICT
OAK ORCHARD W.P.C.P.

FILE NO. 115.500-273F
DATE 8-7-79

Z-40R

REVISED SCUM PUMP STA. PIPING

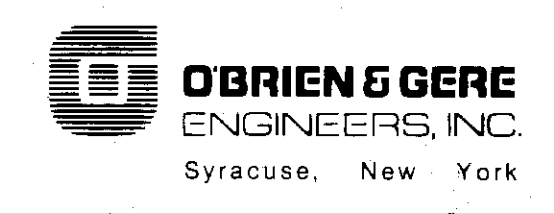
Handwritten signature



In charge of _____
 Designed by _____ Checked by _____
 Made by D.J.H.

SCALE: AS SHOWN

NO.	DATE	REVISION	INIT.

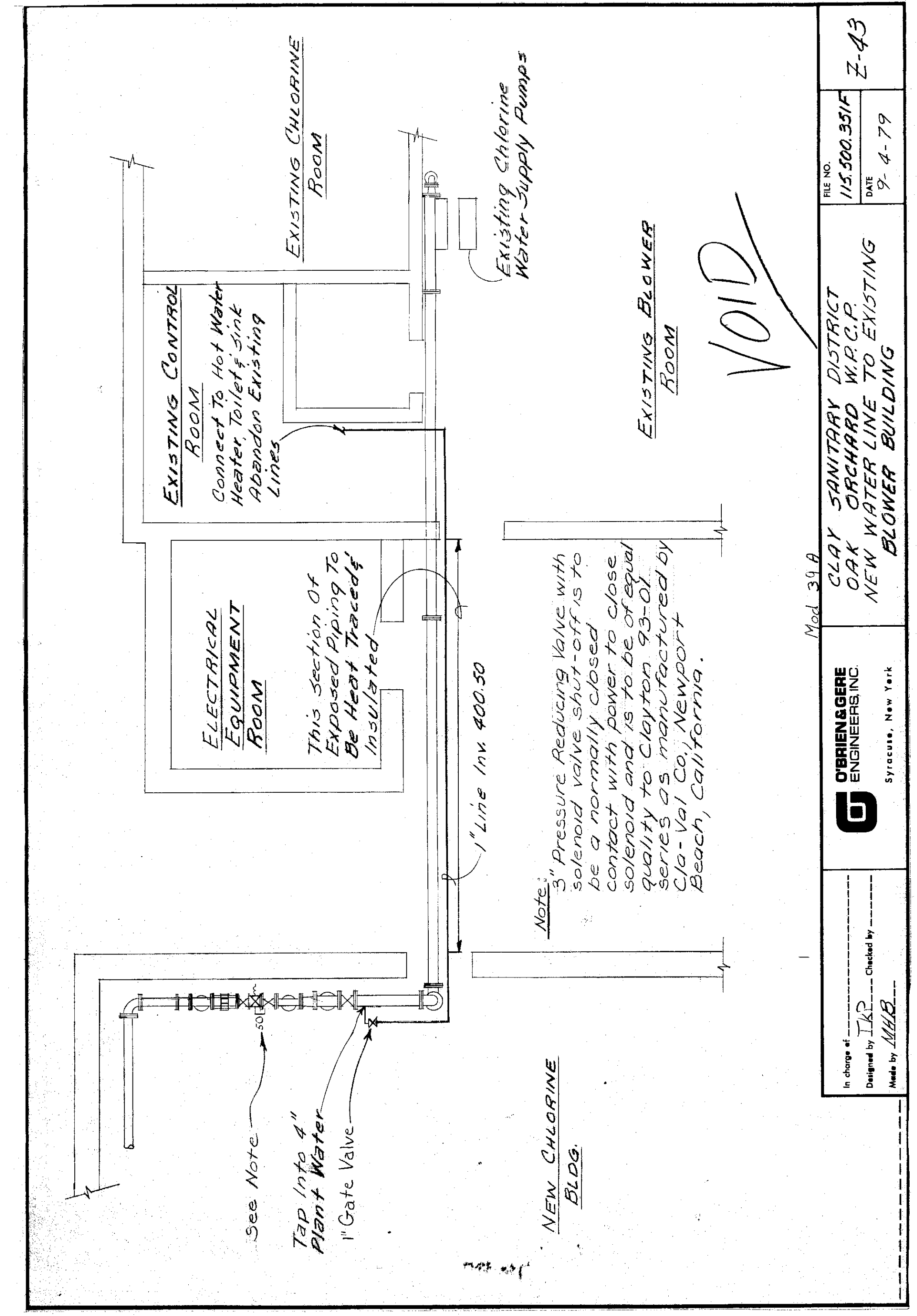
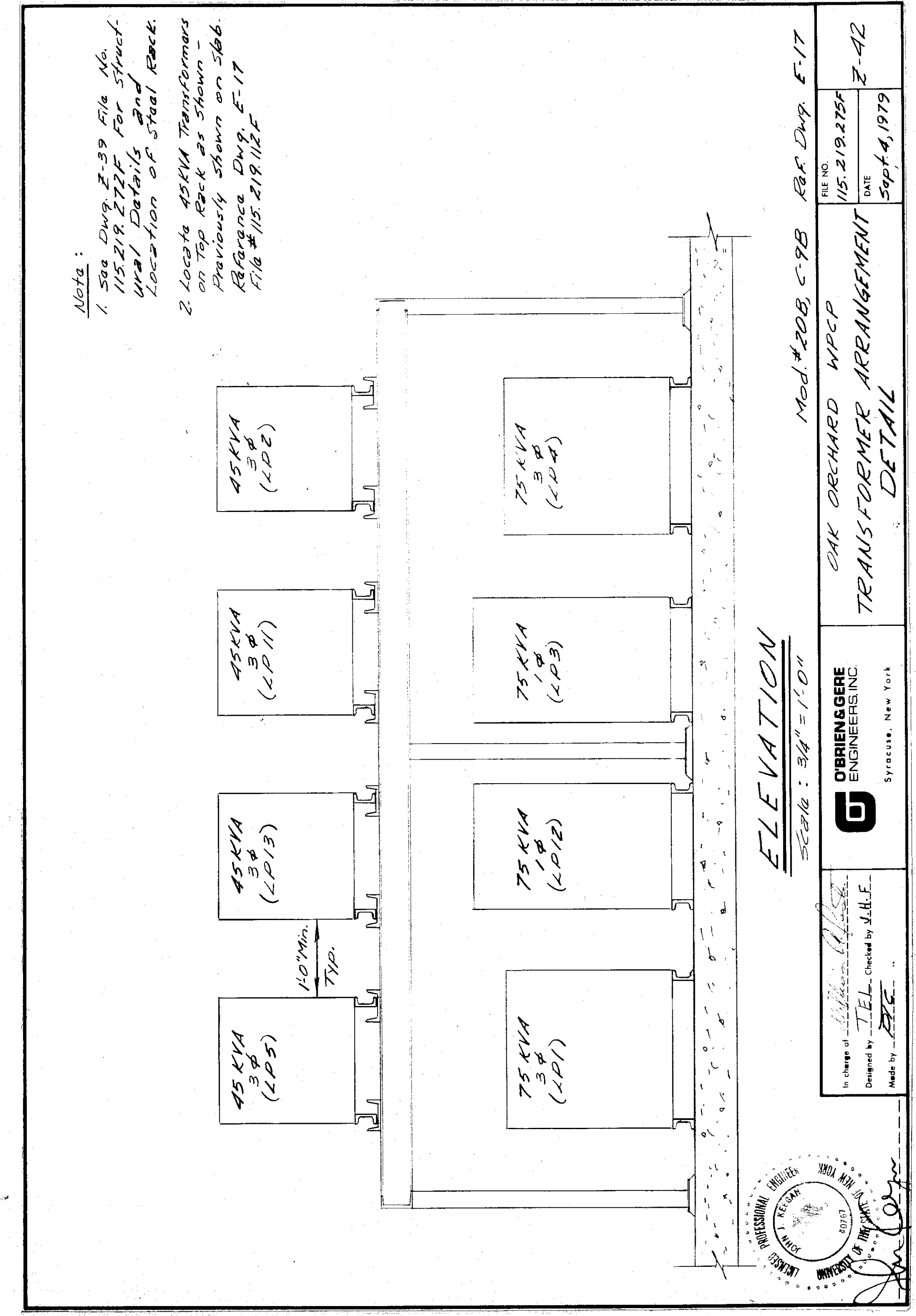
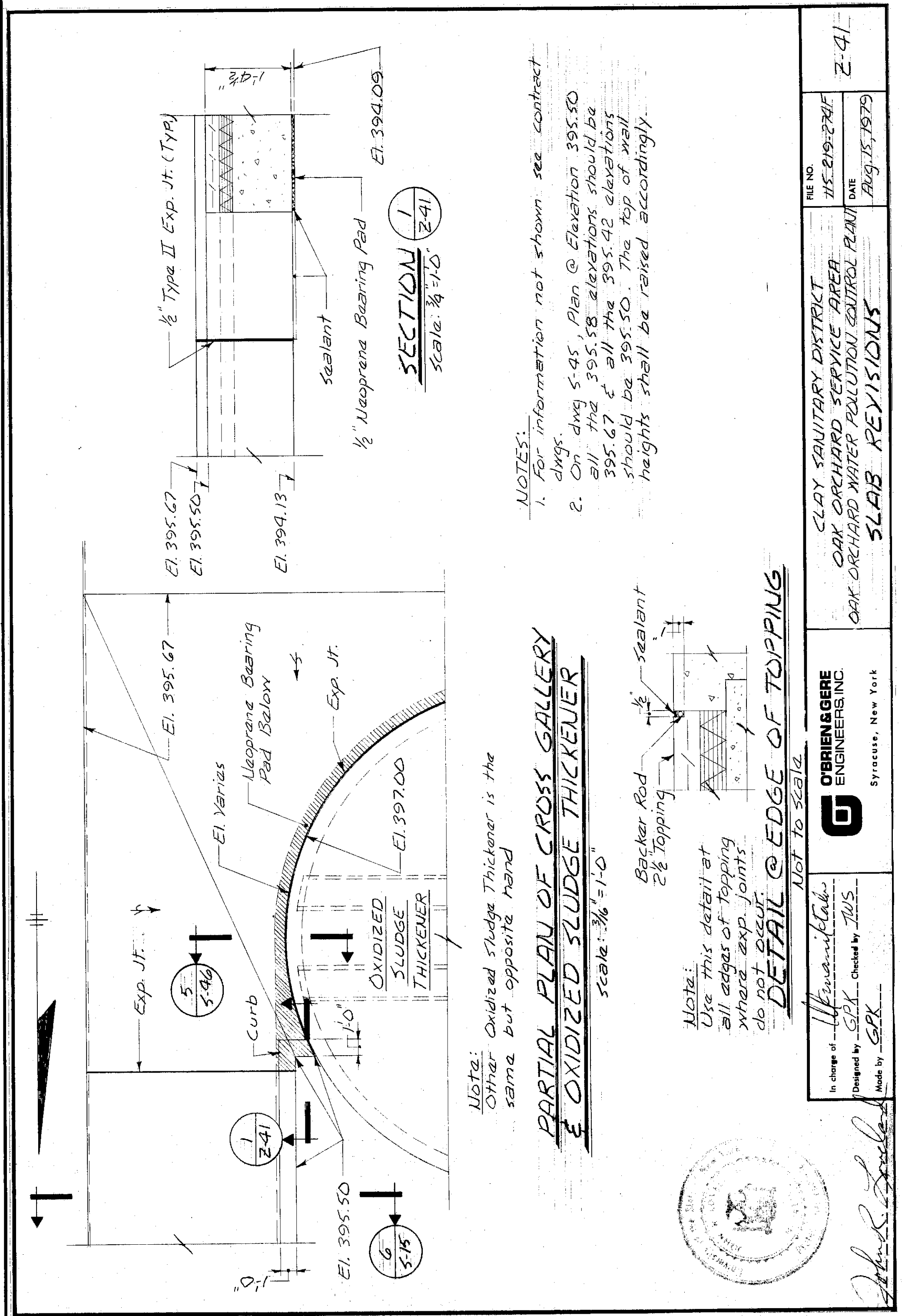


CLAY SANITARY DISTRICT
 OAK ORCHARD SERVICE AREA
 OAK ORCHARD WATER POLLUTION CONTROL PLANT

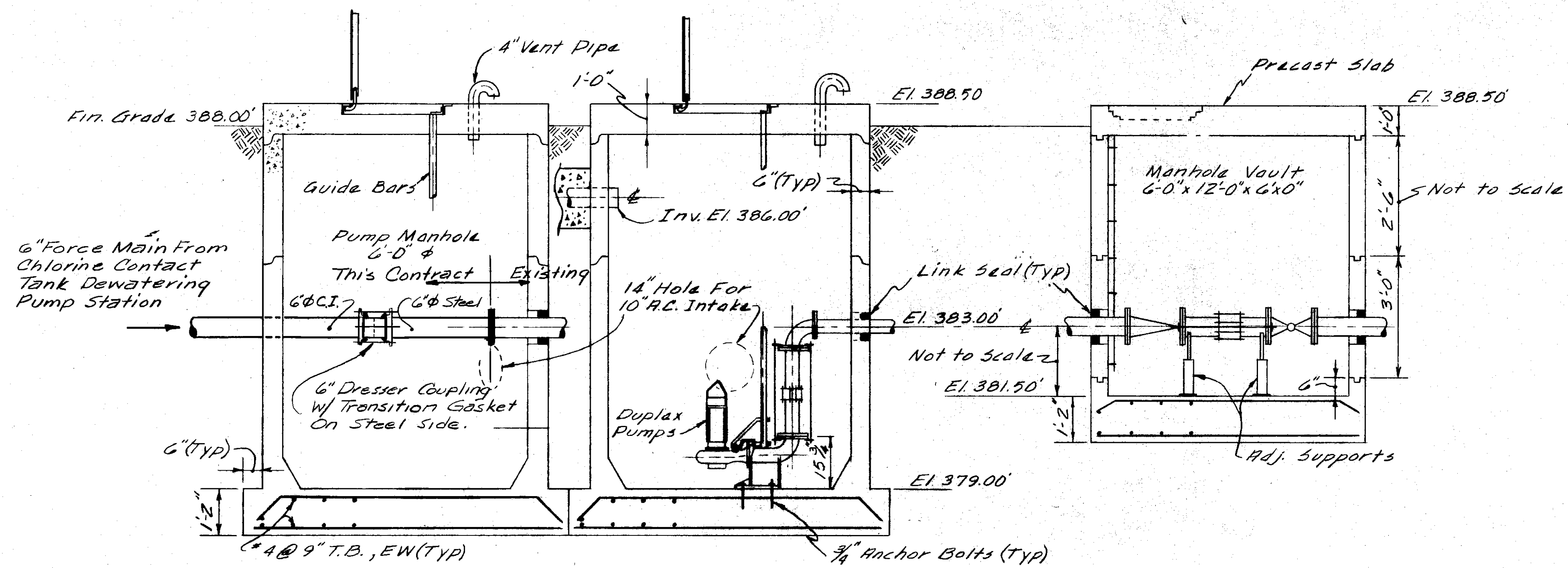
RECORD DRAWING
 Z-DRAWINGS
 Z-41, Z-42 & Z-43

FILE NO.
 115.219-414RD
 DATE
 AUGUST, 1980

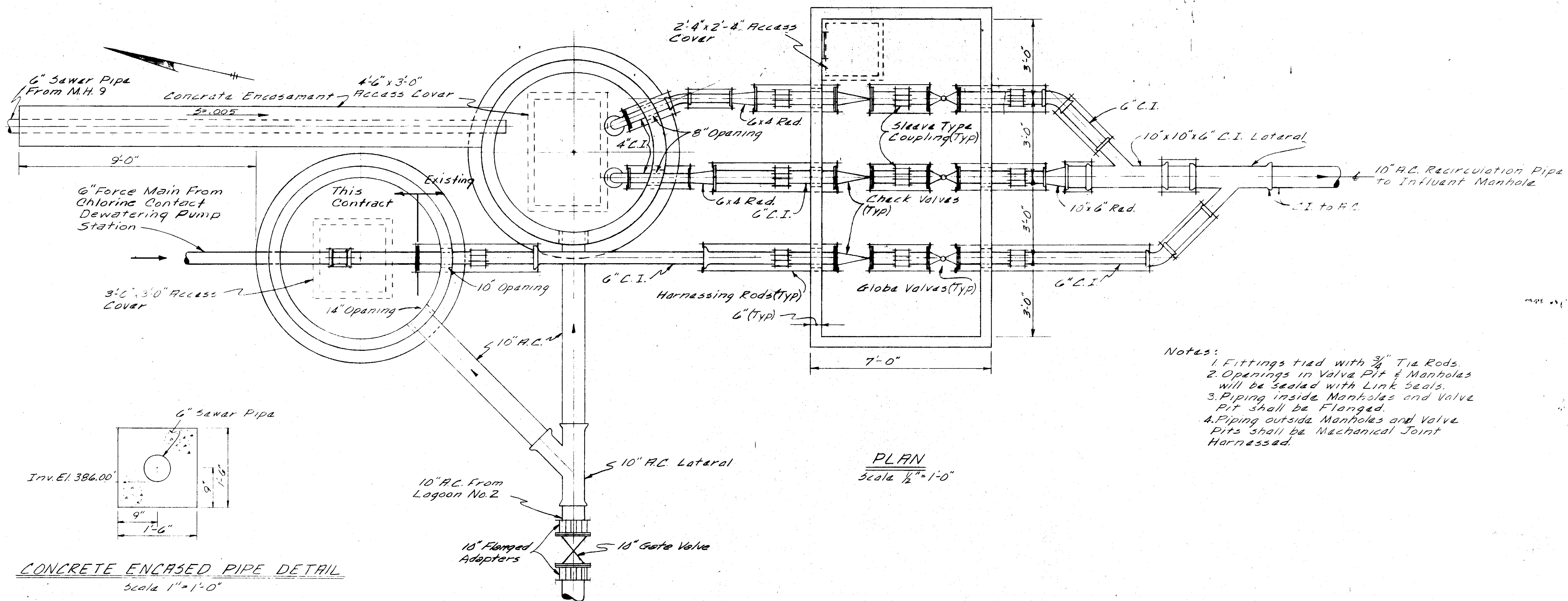
RD-27



Blidlow



ELEVATION
Scale 1/2" = 1'-0"



PLAN
Scale 1/2" = 1'-0"

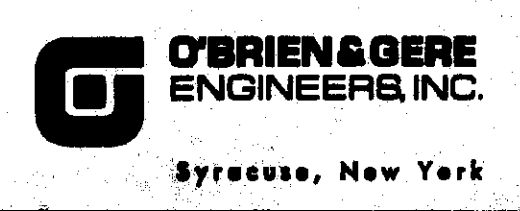
- Notes:
1. Fittings tied with 3/4" Tie Rods.
 2. Openings in Valve Pit & Manholes will be sealed with Link Seals.
 3. Piping inside Manholes and Valve Pit shall be Flanged.
 4. Piping outside Manholes and Valve Pits shall be Mechanical Joint Harnesses.

CONCRETE ENCASED PIPE DETAIL
Scale 1" = 1'-0"

John J. Kelly

In charge of	<i>[Signature]</i>
Designed by	ABE
Checked by	JRP
Made by	MHS, DJH

NO.	DATE	REVISION	INIT.
1	4/16/80	AS BUILT REVISIONS	



CLAY SANITARY DISTRICT
OAK ORCHARD LAGOONS

CHLORINE TANK
DEWATERING FORCE MAIN
MODIFICATION

Z-45

FILE NO.	115.219-415RD
DATE	SEPT. 9, 1980

RD-28

Mod 43A

[Handwritten initials]

ROOM FINISH SCHEDULE

Refer to Door Schedules
For Door & Frame Color

Notes:

1. Exposed Steel Columns, Spandrel Beams & Misc. Steel in Exterior Walls shall be Finished with Type "J" Paint in Color as Noted.
2. At Chemical Storage Room # 145 - Paint all Interior Surfaces of the Ferric Chloride Storage area, including Floor with 2 Coats of Type "B" Paint System

NO.	NAME	FLOOR			BASE			WALLS			CEILING			DOOR FRAMES			DOORS			TRIM			REMARKS	NO.
		Mat.	Finish	Color	Mat.	Finish	Color	Mat.	Finish	Color	Mat.	Finish	Color	Mat.	Finish	Color	Mat.	Finish	Color	Mat.	Finish	Color		
UNIT "A" BASEMENT, FIRST & 2ND FLOOR																								
101	Vestibula	Q.T.		#33	Q.T.		33	Brick			AF-18'6"			Alum.			Alum.					101		
102	Reception	Q.T.		33	Q.T.		33	Brick			AF-18'6"			Alum.			Alum.					102		
103	Lunch Room	Carpat		01	Vinyl		93	PEPL	PWC	AF-18'6"			H.M.	Paint		H.M.	Paint					103		
104	Women	CMT			CMT		93	PEPL	PWC	AF-18'6"			H.M.	Paint		H.M.	Paint					104		
105	Shower	CMT			CMT		93	PEPL	PWC	AF-18'6"			H.M.	Paint		H.M.	Paint					105		
106	Men's Lockers	CMT			CMT		93	PEPL	PWC	AF-18'6"			H.M.	Paint		H.M.	Paint					106		
107	Shower	CMT			CMT		93	PEPL	PWC	AF-18'6"			H.M.	Paint		H.M.	Paint					107		
108	Shower	CMT			CMT		93	PEPL	PWC	AF-18'6"			H.M.	Paint		H.M.	Paint					108		
109	Man	CMT			CMT		93	PEPL	PWC	AF-18'6"			H.M.	Paint		H.M.	Paint					109		
110	Sewer Craw Control Rm.	VAT		51841	Vinyl		93	PEPL	PWC	AF-18'6"			H.M.	Paint		H.M.	Paint					110		
111	Office	VAT		51841	Vinyl		93	PEPL	PWC	AF-18'6"			H.M.	Paint		H.M.	Paint					111		
112	Vestibula	Q.T.		33	Q.T.		33	Brick			AF-18'6"			H.M.	Paint		H.M.	Paint				112		
113	Corridor	Q.T.		33	Q.T.		33	Brick			AF-18'6"			H.M.	Paint		H.M.	Paint				113		
114	Corridor	Q.T.		33	Q.T.		33	Brick			AF-18'6"			H.M.	Paint		H.M.	Paint				114		
115	Men's Lockers	CMT			CMT		93	PEPL	PWC	AF-18'6"			H.M.	Paint		H.M.	Paint					115		
116	First Aid	Q.T.		33	Q.T.		33	PEPL	PWC	AF-18'6"			H.M.	Paint		H.M.	Paint					116		
117	Stairway	Q.T.		33	Q.T.		33	Brick			AF-18'6"			H.M.	Paint		H.M.	Paint				117		
118	Elect. Equip. Room	VAT		51841	Vinyl		93	PEPL	PWC	AF-18'6"			H.M.	Paint		H.M.	Paint					118		
119	Corridor	Q.T.		33	Q.T.		33	PEPL	PWC	AF-18'6"			H.M.	Paint		H.M.	Paint					119		
120	Janitor	Q.T.		33	Q.T.		33	Black	P.A.		AF-18'6"			H.M.	Paint		H.M.	Paint				120		
121	Showers	CMT			CMT		93	PEPL	PWC	AF-18'6"			H.M.	Paint		H.M.	Paint					121		
122	Corridor	CMT			CMT		93	PEPL	PWC	AF-18'6"			H.M.	Paint		H.M.	Paint					122		
123	Man	CMT			CMT		93	PEPL	PWC	AF-18'6"			H.M.	Paint		H.M.	Paint					123		
124	Shower	CMT			CMT		93	PEPL	PWC	AF-18'6"			H.M.	Paint		H.M.	Paint					124		
125	Woman	CMT			CMT		93	PEPL	PWC	AF-18'6"			H.M.	Paint		H.M.	Paint					125		
126	Woman's Lockers	CMT			CMT		93	PEPL	PWC	AF-18'6"			H.M.	Paint		H.M.	Paint					126		
127	Lounge	CMT			CMT		93	PEPL	PWC	AF-18'6"			H.M.	Paint		H.M.	Paint					127		
128	Sewer Craw Garage	Conc.	SF-2		SF-2			Black	P.B.		2011			H.M.	Paint		H.M.	Paint		Stl.	Paint	2024	128	
129	Corridor	CMT			CMT		93	PEPL	PWC	AF-18'6"			H.M.	Paint		H.M.	Paint						129	
130	Elevator							Black						H.M.	Paint		H.M.	Paint				130		
131	Sewer Parts Storage	Conc.	Hdnr.					Black	P.A.		2011			H.M.	Paint		H.M.	Paint				131		
132	Corridor	VAT		51841	Vinyl		93	Black	P.A.		2049			H.M.	Paint		H.M.	Paint		Stl.	Paint	2024	132	
133	Storage	Conc.	Hdnr.					Black	P.A.		2049			H.M.	Paint		H.M.	Paint					133	
134	Small Parts Storage	VAT		51841	Vinyl		93	Black	P.A.		2049			H.M.	Paint		H.M.	Paint					134	
135	Foreman's Office	VAT		51841	Vinyl		93	Black	P.A.		2049			H.M.	Paint		H.M.	Paint					135	
136	Corridor	VAT		51841	Vinyl		93	Black	P.A.		2049			H.M.	Paint		H.M.	Paint					136	
137	Stairway	Q.T.		33	Q.T.		33	PEPL	PWC	AF-18'6"			H.M.	Paint		H.M.	Paint						137	
138	Corridor	Q.T.		33	Q.T.		33	PEPL	PWC	AF-18'6"			H.M.	Paint		H.M.	Paint						138	
139	Vestibula	Q.T.		33	Q.T.		33	PEPL	PWC	AF-18'6"			H.M.	Paint		H.M.	Paint						139	
140	Shop	Conc.	SF-2		SF-2			Black	P.B.		2049			H.M.	Paint		H.M.	Paint		Stl.	Paint	2024	140	
141	Maintenance Garage	Conc.	SF-2		SF-2			Black	P.B.		2049			H.M.	Paint		H.M.	Paint		Stl.	Paint	2024	141	
142	Large Parts Storage	Conc.	SF-2		SF-2			Black	P.B.		2049			H.M.	Paint		H.M.	Paint		Stl.	Paint	2024	142	
201	Plant Supt. Office	Carpat		01	Vinyl		93	PEPL	PWC	AF-18'6"			H.M.	Paint		H.M.	Paint						201	
202	General Office	Carpat		01	Vinyl		93	PEPL	PWC	AF-18'6"			H.M.	Paint		H.M.	Paint						202	
203	Conference Room	Carpat		01	Vinyl		93	PEPL	PWC	AF-18'6"			H.M.	Paint		H.M.	Paint						203	
204	Stairway	Q.T.		33	Q.T.		33	Brick			AF-18'6"			H.M.	Paint		H.M.	Paint					204	
205	Equipment Room	Conc.	Hdnr.					Black	P.A.		2024			H.M.	Paint		H.M.	Paint					205	
206	Corridor	Q.T.		33	Q.T.		33	Brick			AF-18'6"			H.M.	Paint		H.M.	Paint					206	
207	Corridor	Carpat		01	Vinyl		93	PEPL	PWC	AF-18'6"			H.M.	Paint		H.M.	Paint						207	
208	Records Storage Rm	VAT		51841	Vinyl		93	PEPL	PWC	AF-18'6"			H.M.	Paint		H.M.	Paint						208	
209	Lounge	Carpat		01	Vinyl		93	PEPL	PWC	AF-18'6"			H.M.	Paint		H.M.	Paint						209	
210	Man	CMT			CMT		93	PEPL	PWC	AF-18'6"			H.M.	Paint		H.M.	Paint						210	
211	Woman	CMT			CMT		93	PEPL	PWC	AF-18'6"			H.M.	Paint		H.M.	Paint						211	
212	Janitor	Q.T.		51841	Q.T.		93	PEPL	PWC	AF-18'6"			H.M.	Paint		H.M.	Paint						212	
213	Plant Control Room	VAT		51841	Vinyl		93	PEPL	PWC	AF-18'6"			H.M.	Paint		H.M.	Paint						213	
214	Office	VAT		51841	Vinyl		93	PEPL	PWC	AF-18'6"			H.M.	Paint		H.M.	Paint						214	
215	Storage	VAT		51841	Vinyl		93	PEPL	PWC	AF-18'6"			H.M.	Paint		H.M.	Paint						215	
216	Parts Storage *	VAT		51841	Vinyl		93	PEPL	PWC	AF-18'6"			H.M.	Paint		H.M.	Paint						216	
217	Parts Storage	VAT		51841	Vinyl		93	PEPL	PWC	AF-18'6"			H.M.	Paint		H.M.	Paint						217	
218	Stairway	VAT		51841	Vinyl		93	PEPL	PWC	AF-18'6"			H.M.	Paint		H.M.	Paint						218	
219	Laboratory	Q.T.		33	Q.T.		33	PEPL	PWC	AF-18'6"			H.M.	Paint		H.M.	Paint						219	
220	Storage	Q.T.		33	Q.T.		33	PEPL	PWC	AF-18'6"			H.M.	Paint		H.M.	Paint						220	
221	Elevator			51841				Black						H.M.	Paint		H.M.	Paint				221		
222	Compressor Room	VAT		51841	Vinyl		93	PEPL	PWC	AF-18'6"			H.M.	Paint		H.M.	Paint						222	
223	Stairway	VAT		51841	Vinyl		93	PEPL	PWC	AF-18'6"			H.M.	Paint		H.M.	Paint						223	
224	Vestibula	VAT		51841	Vinyl		93	PEPL	PWC	AF-18'6"			H.M.	Paint		H.M.	Paint						224	
225	Stairway	VAT		51841	Vinyl		93	PEPL	PWC	AF-18'6"			H.M.	Paint		H.M.	Paint						225	
226	Elevator Equip. Room	Conc.	Hdnr.					Black						H.M.	Paint		H.M.	Paint				226		
227	Elevator	Conc.	Hdnr.					Black						H.M.	Paint		H.M.	Paint				227		
228	Corridor	Conc.	Hdnr.					Black	P.A.		2049			H.M.	Paint		H.M.	Paint				228		
229	Gallery	Conc.	Hdnr.					Black						H.M.	Paint									

ROOM FINISH SCHEDULE

Refer to Door Schedule
for Door & Frame Colors

Notes:

1. Exposed Steel Columns, Spandrel Beams & Misc. Steel in Exterior Walls shall be finished with Type "J" Paint in Color as Noted.
2. At Chemical Storage Room #145 Paint All Interior Surfaces of the Ferric Chloride Storage area including Floor with 2 Coats of Type "B" Paint System

NO.	NAME	FLOOR			BASE			WALLS			CEILING			DOOR FRAMES			DOORS			TRIM			REMARKS	NO.
		Mat.	Finish	Color	Mat.	Finish	Color	Mat.	Finish	Color	Mat.	Finish	Color	Mat.	Finish	Color	Mat.	Finish	Color	Mat.	Finish	Color		

UNIT B & C FIRST & 2nd FLOOR

143	Boiler Room	Conc.	SF-1		SF-1		Black	P-A	2049	Conc.	Paint	2011	H.M.	Paint		H.M.	Paint		*	P-B	2024		143	* Steel Beams and Columns
144	Garage	Conc.	SF-2		SF-2		Black	P-B	2011	Conc.	GWF	2011	H.M.	Paint		H.M.	Paint		*	P-B	2024		144	* Steel Beams and Columns
145	Chemical Storage	Conc.	SF-2		SF-2		Black	P-B	2049	Conc.	Paint	2011	H.M.	Paint		H.M.	Paint		*	P-B	2024	See Note 2	145	* Steel Beams and Columns; Lrns and Rails-2026; Ferric Storage Concrete-2011
146	Garage	Conc.	SF-2		SF-2		Black	P-B	2011	Conc.	GWF	2011	H.M.	Paint		H.M.	Paint		*	P-B	2024		146	* Steel Beams and Columns
147	Man	Conc.	SF-1		SF-1		Black	GWF	5-1302	Conc.	Paint	2049	H.M.	Paint		H.M.	Paint						147	* GWF @ West Wall Match-2045
148	Grit Removal Room	Conc.	SF-1		SF-1		Black	GWF	5-1302	Conc.	Paint	2049	H.M.	Paint		H.M.	Paint		*	P-B	2045	* SF-2 @ 1032, See Note 1	148	* Steel Beams and Columns; ** West Wall (high) Match-2045
149	Screenings	Conc.	SF-1		SF-1		Black	GWF	5-1302	Conc.	Paint	2049	H.M.	Paint		H.M.	Paint		*	P-B	2045	See Note 1 (Hazardous Area)	149	* Steel Beams and Columns
150	Stairway	Conc.	S.T.				Brick			Conc.	Paint	2049	H.M.	Paint		H.M.	Paint						150	
151	Sludge Process Room	Conc.	SF-1		SF-1		Black	P-B	2049	Ex. Cons.	Paint	**	H.M.	Paint		H.M.	Paint						151	* South Wall P-B-2026; ** Paint Joists & Roof Deck P-B-2011; Paint Col, Beams & Cross Bracing 2024
152	Sludge Process Control Rm	Conc.	SF-1		SF-1		Black	P-A	2049	AT-18'6"			H.M.	Paint		H.M.	Paint						152	
153	Vestibula	RT.			RT.		Black	P-A	2049	AT-18'6"			H.M.	Paint		H.M.	Paint						153	
230	Filter Room	Conc.	SF-1		SF-1		Black	P-B	2049	Ex. Cons.	Paint	**											230	* South Wall P-B-2026; ** Paint Joists & Roof Deck P-B-2011; Paint Col, Beams & Cross Bracing 2024
231	Mazzanina	Conc.	SF-1		SF-1		Black	P-B	2049	Ex. Cons.	Paint	**	H.M.	Paint		H.M.	Paint						231	** Paint Joists & Roof Deck P-B-2011; Paint Columns, Beams & Cross Bracing 2024
232	Vestibula	Conc.	SF-1		SF-1		Black	P-A	2049	AT-18'6"			H.M.	Paint		H.M.	Paint						232	
233	Stairway	Conc.	S.T.				Brick			Ex. Cons.	Paint	2049	H.M.	Paint		H.M.	Paint						233	
235	Door Control Equip. Room	Conc.	S.T.				Black	P-A	2049	Ex. Cons.	Paint	2049	H.M.	Paint		H.M.	Paint						235	South Wall 2045; Paint Beams & Columns 2045

UNIT I

154	Oxygen Gen. Bldg.	Conc.	SF-1*		SF-1		Black	P-A	2011	Ex. Cons.	Paint	2024	H.M.	Paint		H.M.	Paint						154	* Paint East Wall 2045; Beams, Columns, Roof Deck, Joists & Grating 2024
-----	-------------------	-------	-------	--	------	--	-------	-----	------	-----------	-------	------	------	-------	--	------	-------	--	--	--	--	--	-----	--

UNIT H

155	Access Building	Conc.	S.T.				Conc.	P-B	2049	Ex. Cons.	Paint	2049	H.M.	Paint		H.M.	Paint						155	
-----	-----------------	-------	------	--	--	--	-------	-----	------	-----------	-------	------	------	-------	--	------	-------	--	--	--	--	--	-----	--

UNIT K

156	Access Building	Conc.	S.T.				Conc.	P-B	2049	Ex. Cons.	Paint	2049	H.M.	Paint		H.M.	Paint						156	
-----	-----------------	-------	------	--	--	--	-------	-----	------	-----------	-------	------	------	-------	--	------	-------	--	--	--	--	--	-----	--

UNIT F

157	Access Building	Conc.	S.T.				Black	P-B	2049	Ex. Cons.	Paint	2049	H.M.	Paint		H.M.	Paint						157	
-----	-----------------	-------	------	--	--	--	-------	-----	------	-----------	-------	------	------	-------	--	------	-------	--	--	--	--	--	-----	--

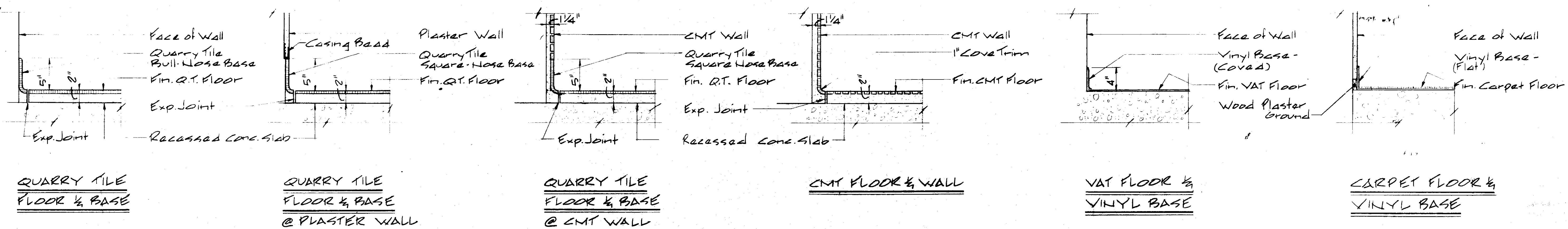
CHLORINATION BUILDING

158	Chlorine Room	Conc.	SF-1		SF-1		Black	GWF	5-1301	Ex. Cons.	Paint	2024	H.M.	Paint		H.M.	Paint						158	See Note 1
159	Electric Equip. Room	Conc.	SF-1		SF-1		Black	GWF	5-1301	Ex. Cons.	Paint	2024	H.M.	Paint		H.M.	Paint						159	See Note 1
160	Existing Blower Room						Black	P-A	2049	Conc.	P-A	2049	H.M.	Paint		H.M.	Paint						160	
161	Existing Chlorine Room						Black	P-A	2049	Conc.	P-A	2049	H.M.	Paint		H.M.	Paint						161	

* Denotes Color to be Selected by the Engineer
P-A, P-B Denotes Paint System "A" or System "B" Refer to MP 99.90

COLOR NOTES - ALL BUILDINGS

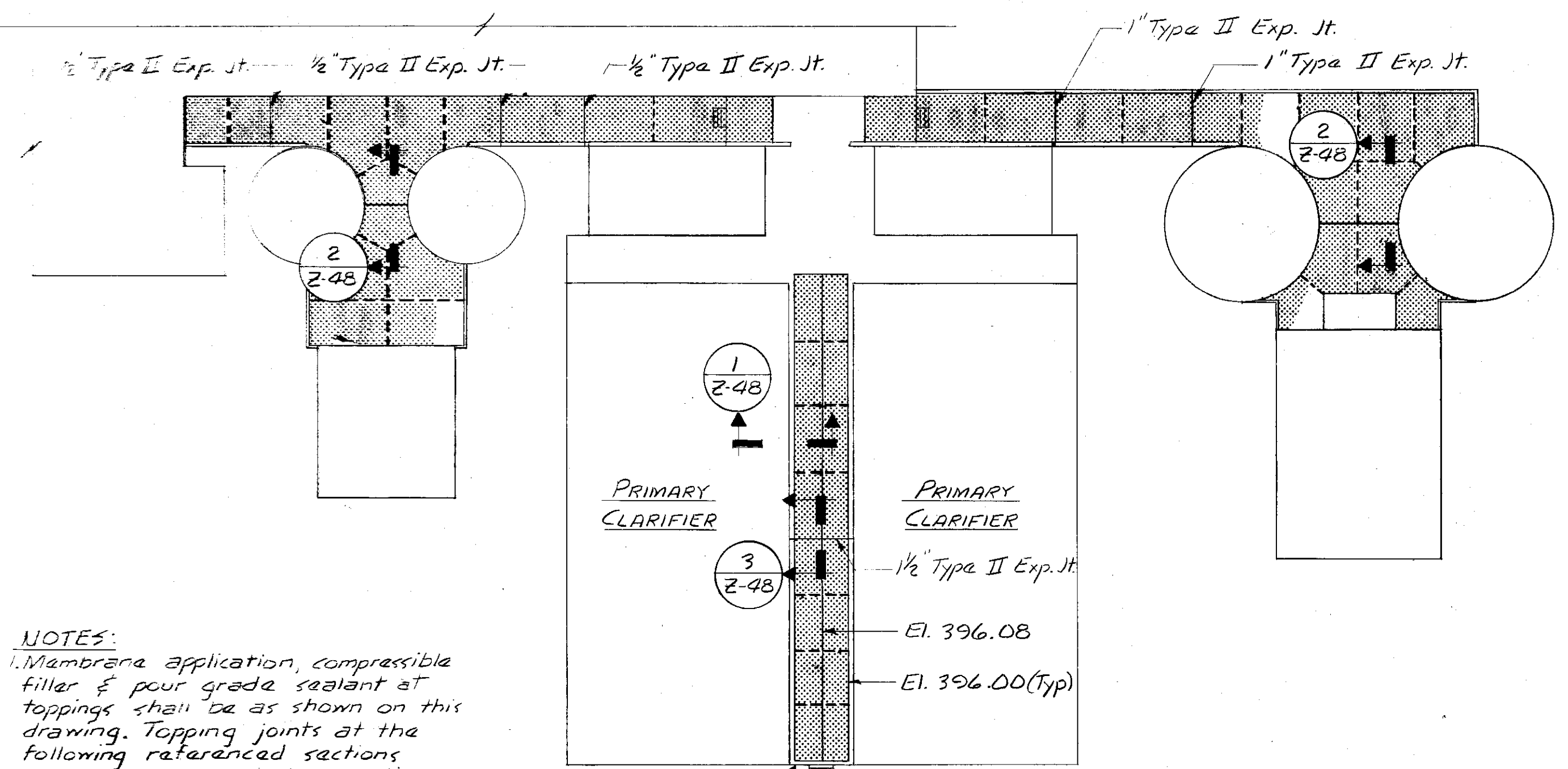
1. Paint Cranes and Crane Rails 2026
2. Paint Pipe Guard 2026
3. At Precast Concrete Insulated Panels, Paint All Miscellaneous Steel Lip Angles, Bolts and Attached Accessories 2049.



TYPICAL FLOOR & BASE DETAILS

Scale: 1/2" = 1'-0"

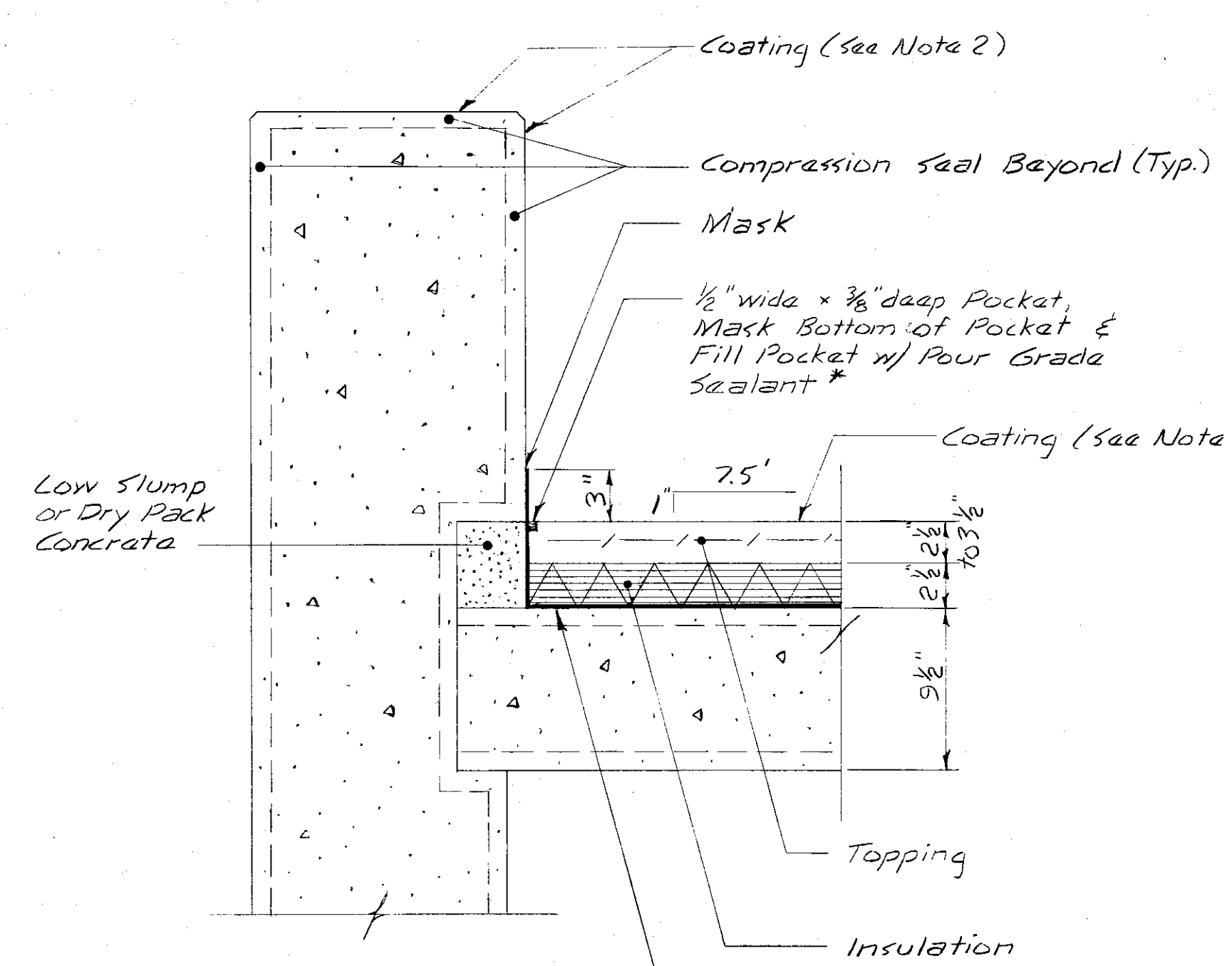
In charge of <u>U. K. ...</u> Designed by <u>ADN</u> Checked by <u>ADN</u> Made by <u>RFE</u>	<table border="1" style="width: 100%; border-collapse: collapse;"> <thead> <tr> <th>NO.</th> <th>DATE</th> <th>REVISION</th> <th>INIT.</th> </tr> </thead> <tbody> <tr> <td>2</td> <td>3/14/78</td> <td>General Revisions</td> <td>ADN</td> </tr> <tr> <td>1</td> <td>5/1/77</td> <td>General Revisions</td> <td>ADN</td> </tr> </tbody> </table>	NO.	DATE	REVISION	INIT.	2	3/14/78	General Revisions	ADN	1	5/1/77	General Revisions	ADN	 O'BRIEN & GERE ENGINEERS, INC. Syracuse, New York	CLAY SANITARY DISTRICT OAK ORCHARD SERVICE AREA OAK ORCHARD WATER POLLUTION CONTROL PLANT	ARCHITECTURAL UNITS B,C,I,H,K,F ROOM FINISH SCHEDULE & DETAILS	FILE NO. 115.219-417 RD DATE SEPT. 9, 1980 RD-30
NO.	DATE	REVISION	INIT.														
2	3/14/78	General Revisions	ADN														
1	5/1/77	General Revisions	ADN														



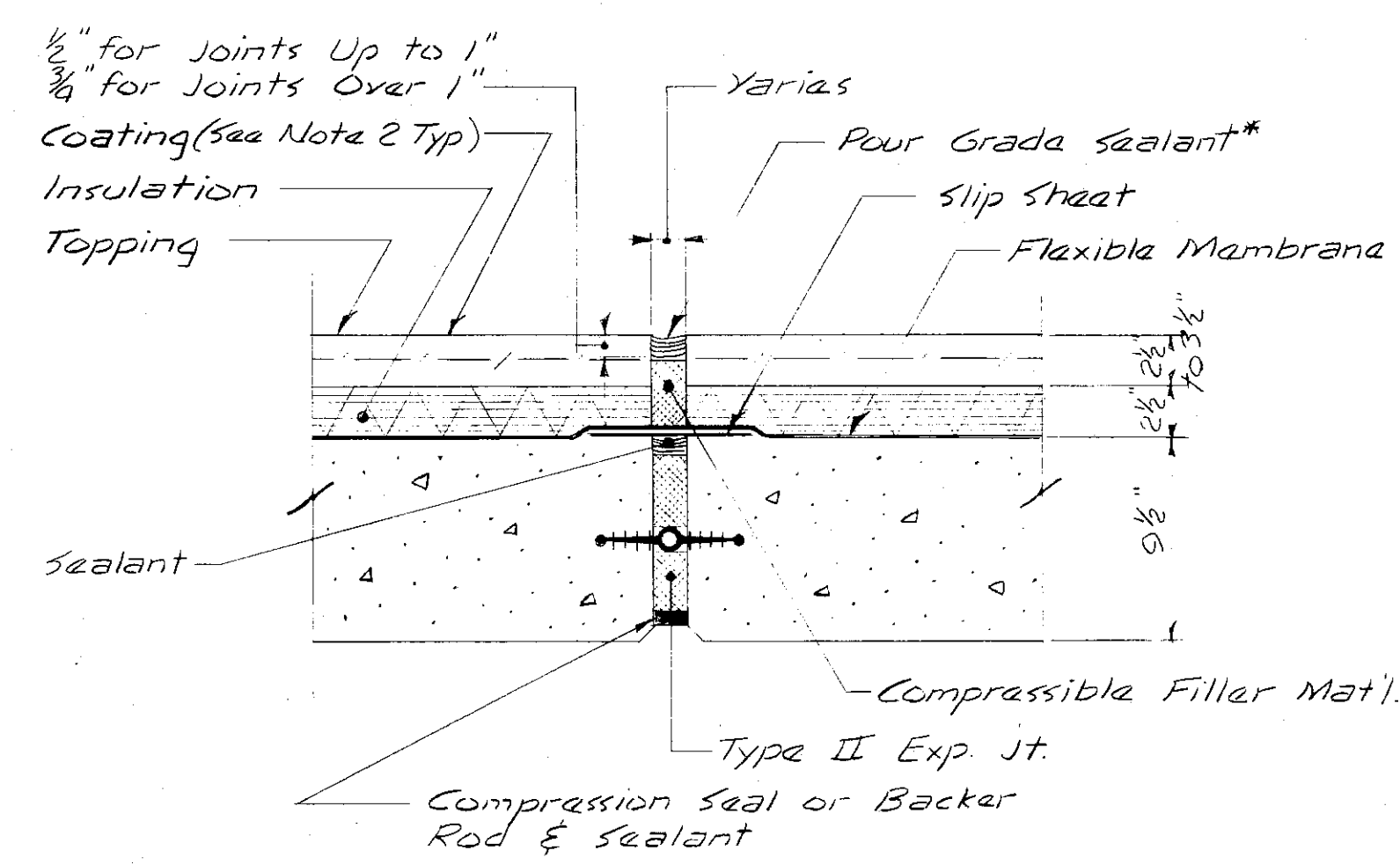
NOTES:
 1. Membrane application, compressible filler & pour grade sealant at toppings shall be as shown on this drawing. Topping joints at the following referenced sections shall be constructed accordingly:
 3 on 5-15
 5 on 5-15
 6 on 5-15
 7 on 5-15
 6 on 5-21
 8 on 5-21
 1 on 5-33
 5 on 5-33
 9 on 5-33
 12 on 5-33
 2 on 5-35
 2 on 5-36
 3 on 5-36
 4 on 5-36
 3 on 5-38
 4 on 5-38
 4 on 5-40
 7 on 5-40
 2 on 5-43
 9 on 5-43
 1 on 5-44
 3 on 5-44
 1 on 5-45
 2 on 5-45
 5 on 5-46
 7 on 5-46

2. Coat all the exterior toppings, the slabs in the Access Bldgs. and the gallery side vertical surfaces and top surface of the parapet walls of the Primary Clarifier with either of the following systems. The coating shall be applied prior to the installation of the pour grade sealant and in strict accordance with the mfr's printed instructions:
 a. SEALCRETE as mfd. by the Grimes Company, Oakland California. Apply three coats at a rate of 200 sq. ft. per gal. per coat.
 b. DURAPAL and DURAPAL H as mfd. by I.P.A. Systems, Inc., Philadelphia, Pennsylvania. Apply two coats of Durapal at a rate of 200 sf per gal. per coat and one coat of Durapal H at a rate of 200 sf. per gal.

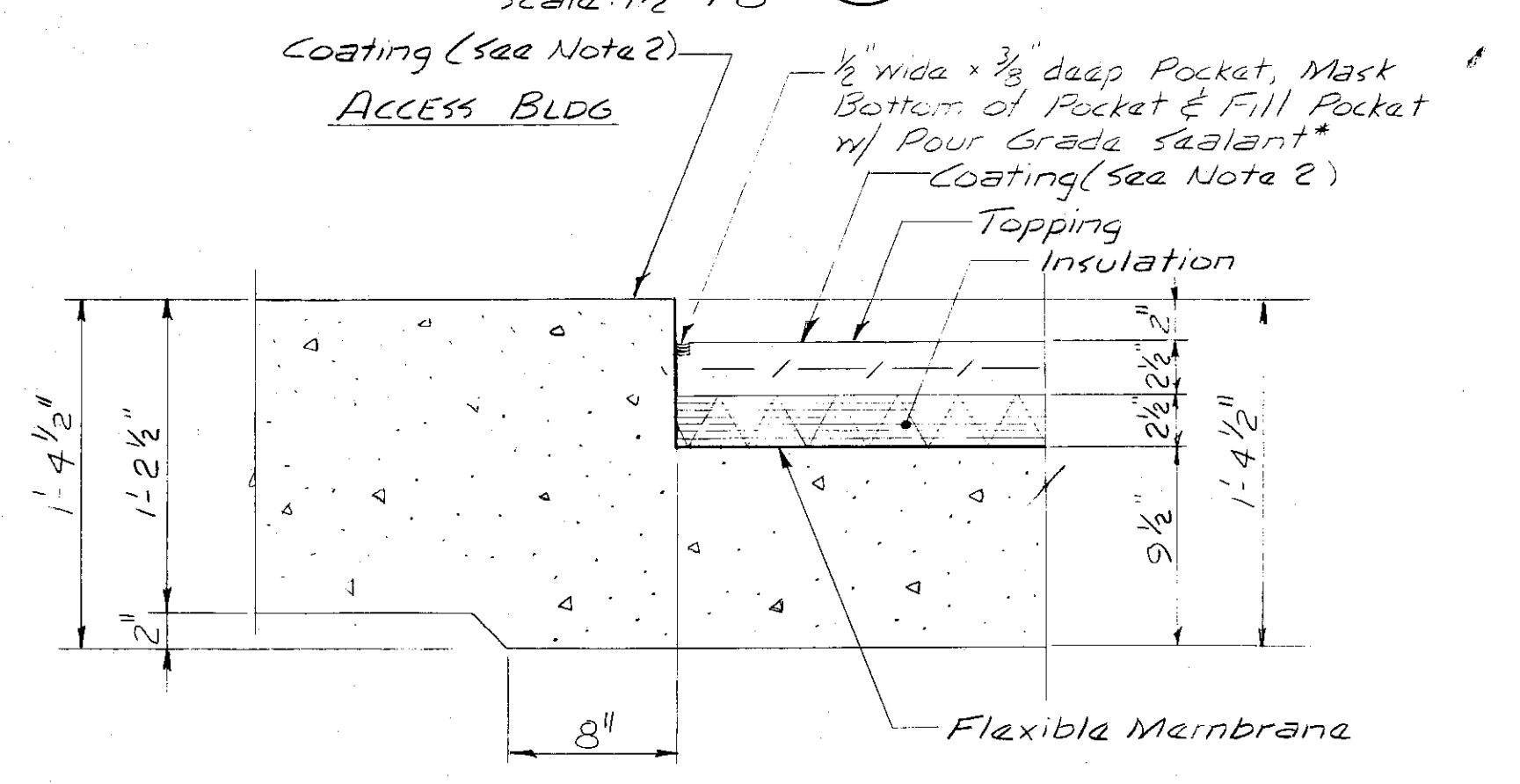
PLAN
 scale: 1" = 30'



SECTION 1
 scale: 1 1/2" = 1'-0"

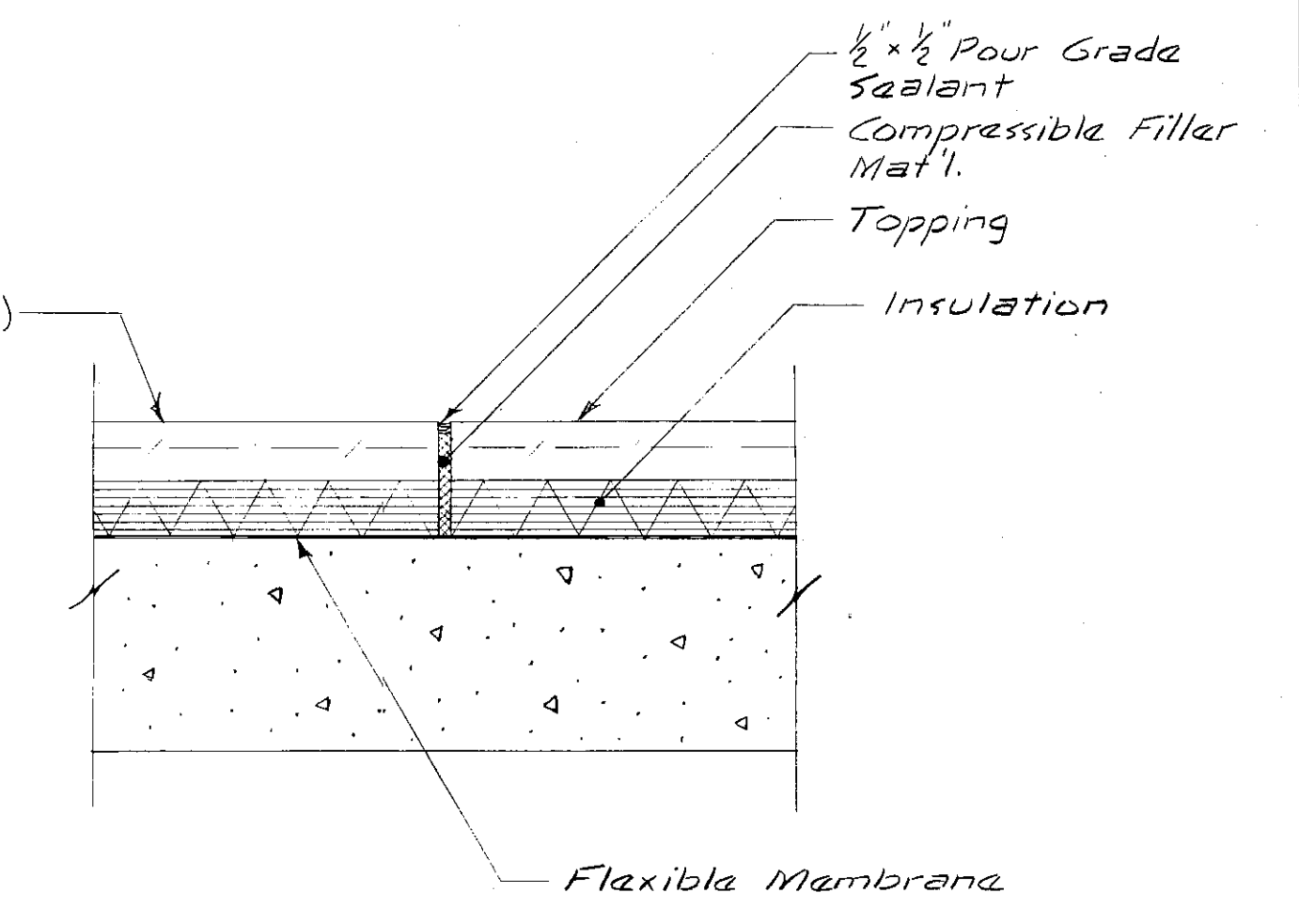


SECTION 3
 scale: 1 1/2" = 1'-0"

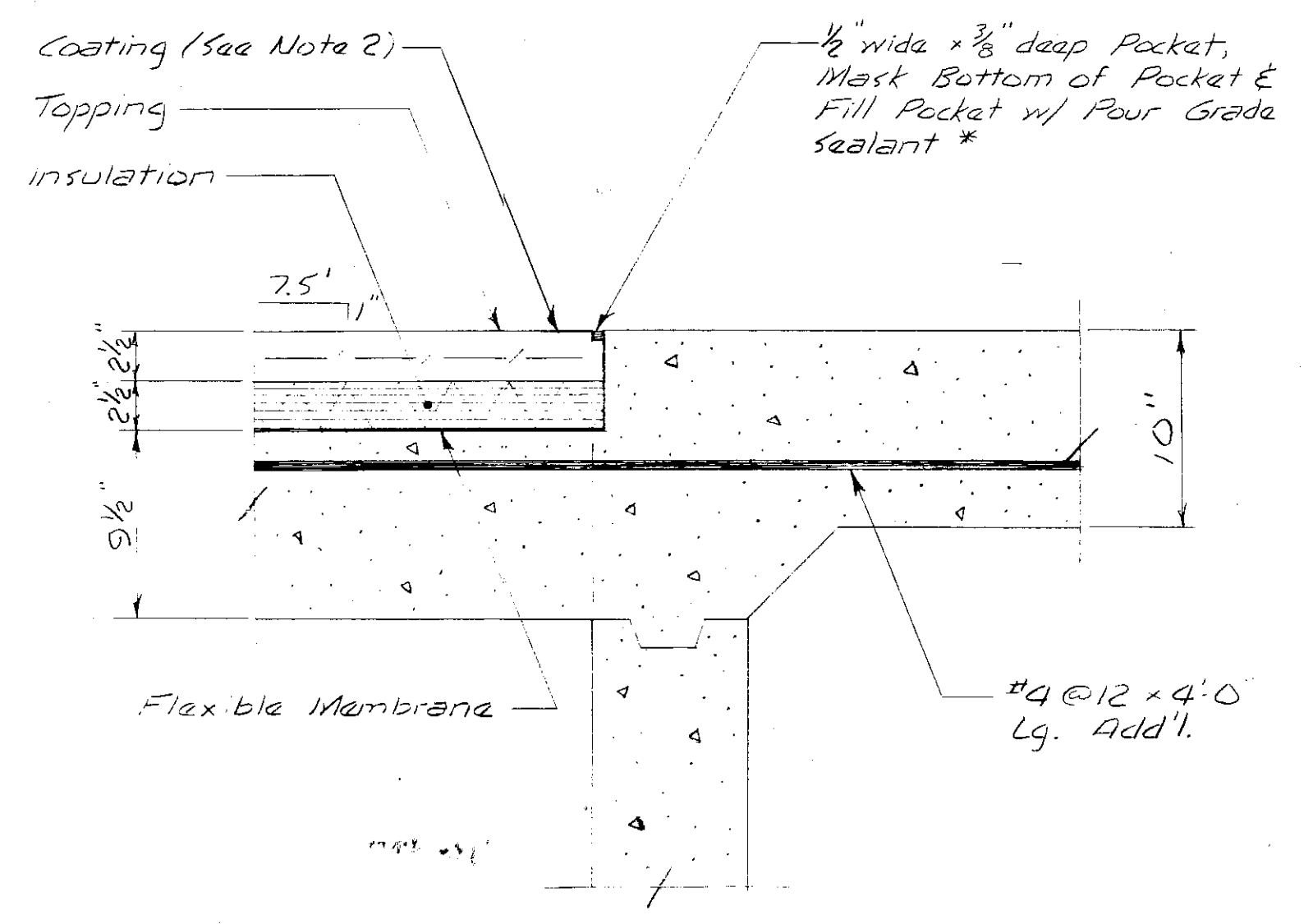


SECTION 5
 scale: 1 1/2" = 1'-0"

*Pour grade sealant shall be ANTI-HYDRO URETHANE BITUMEN SEALANT (as recommended by the Flexible Membrane manufacturer)

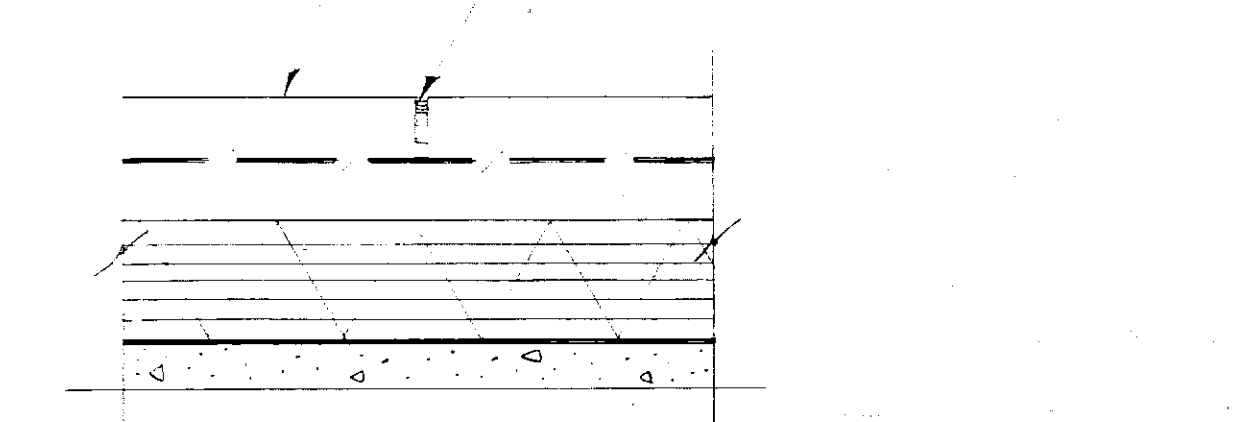


SECTION 2
 scale: 1 1/2" = 1'-0"



SECTION 4
 scale: 1 1/2" = 1'-0"

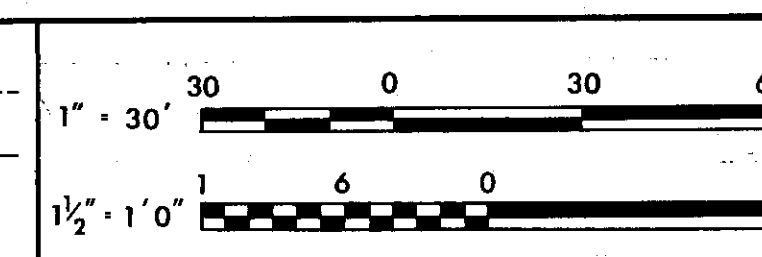
Form Groove 1/4" to 3/8" Wide x Minimum 1/4" Deep. Fill Joint to within 3/8" of Top w/ Dry Sand. Fill Joint w/ Pour Grade Sealant*, 3/8" @ 15± o.c.



CONTROL JOINT DETAIL
 Not to Scale

- LEGEND**
- 1. Topping & Insulation
 - 2. Topping
 - 3. Control Joint

In charge of *Umaniketan*
 Designed by *TWS* Checked by *TWS*
 Made by *SPK*



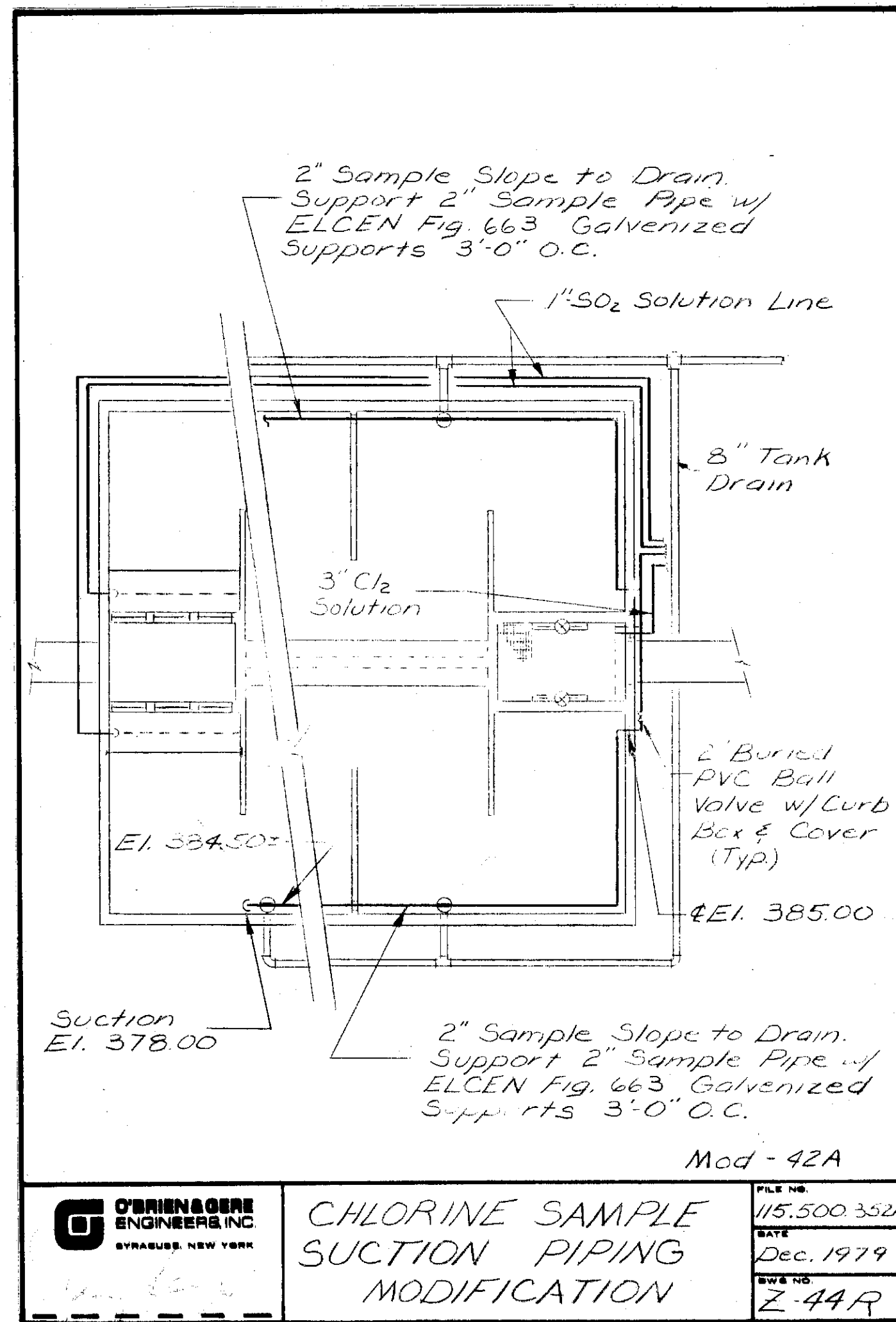
NO.	DATE	REVISION	INIT.

O'BRIEN & GERE
 ENGINEERS, INC.
 Syracuse, New York

CLAY SANITARY DISTRICT
 OAK ORCHARD SERVICE AREA
 OAK ORCHARD WATER POLLUTION CONTROL PLANT

STRUCTURAL **Z-48R**
GALLERY TOPPINGS

FILE NO. 115.219-418RD
 DATE SEPT. 9, 1980
 RD-31



O'BRIEN & GERE ENGINEERS, INC.
SYRACUSE, NEW YORK

CHLORINE SAMPLE SUCTION PIPING MODIFICATION

FILE NO. 115.500.352A
DATE Dec. 1979
DRAWING NO. Z-44R

NOTES:

- The distance between the outside faces of the RB-3's shall remain the same thus decreasing the distance between the inside faces by 20 inches.
- The width of the stairwell remains the same @ 8'-0".
- The schedule below supercedes the beam schedule for RB-1 thru RB-7 shown on contract dwg. 5-42.

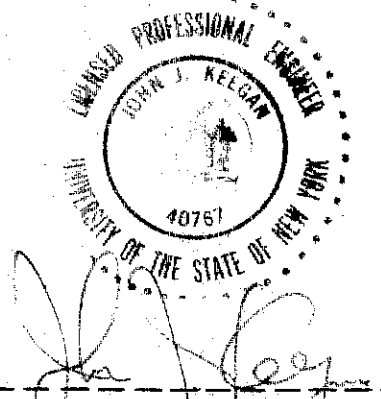
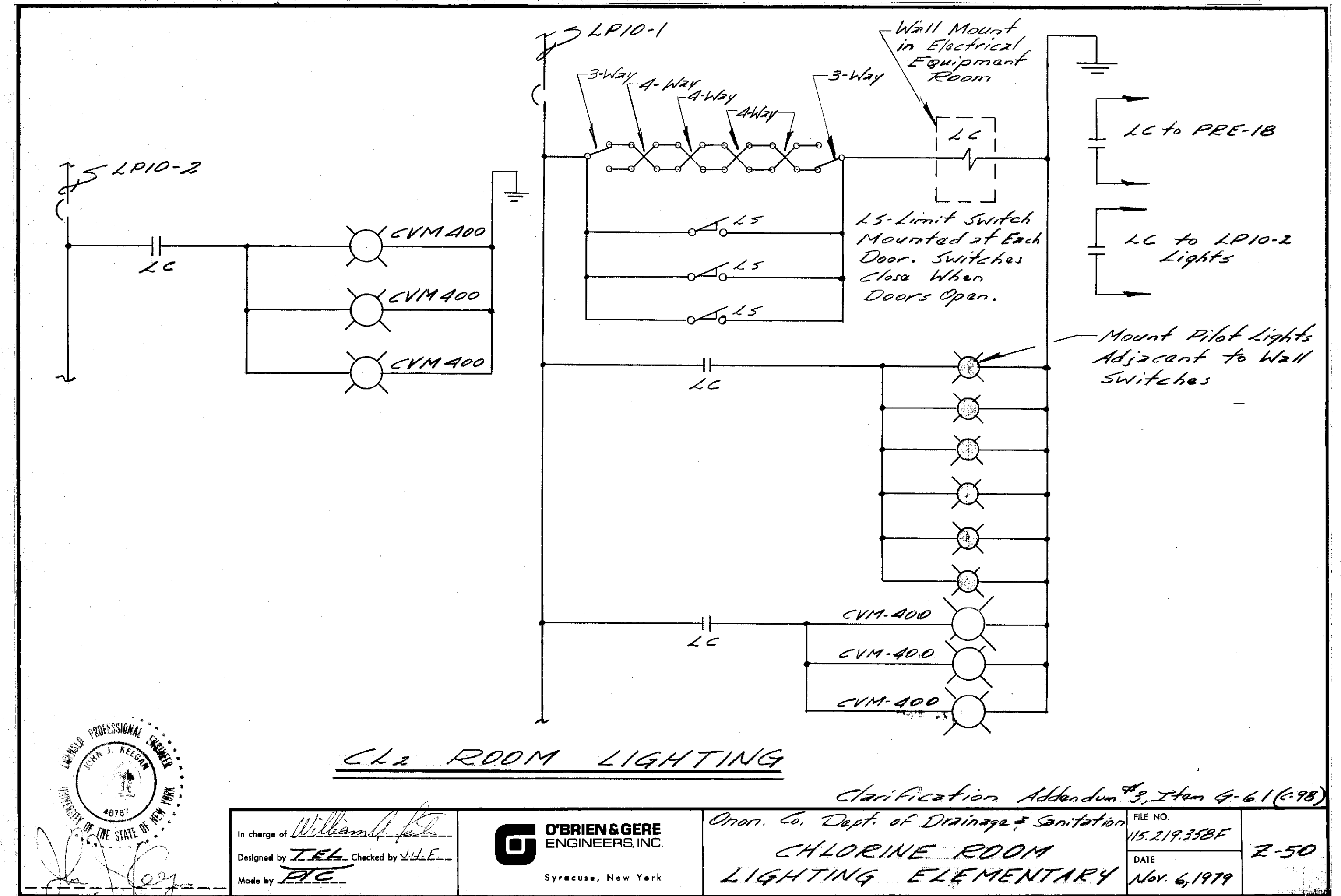
RAY SLUDGE THICKENER GALLERY ROOF BEAM SCHEDULE

BEAM	WIDTH	REINFORCING		STIRRUPS		REMARKS
		A	B	NORTH-EAST	SOUTH-WEST	
RB-1	20"	5-#9	5-#9	17-#4@5	17-#4@5	#4@10 stirrups in Center
RB-2	20"	5-#9	5-#8	12-#4@5	12-#4@5	#4@10 stirrups in Center
RB-3	30"	3-#6	8-#10	6-#4@7	6-#4@7	#4@10 stirrups in Center
RB-4	30"	3-#6	7-#10	5-#4@7	5-#4@7	#4@10 stirrups in Center
RB-5	20"	4-#10	4-#8	8-#4@6	8-#4@6	#4@10 stirrups in Center
RB-6	20"	4-#9	4-#9	8-#4@6	8-#4@6	#4@10 stirrups in Center
RB-7	20"	4-#9	4-#8	7-#4@6	7-#4@6	#4@10 stirrups in Center

O'BRIEN & GERE ENGINEERS, INC.
SYRACUSE, NEW YORK

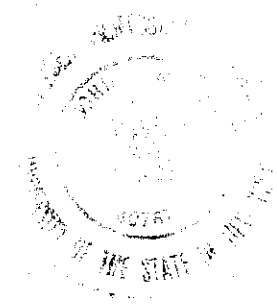
CLAY SANITARY DISTRICT
OAK ORCHARD SERVICE AREA
OAK ORCHARD WATER POLLUTION CONTROL PLANT

FILE NO. 115.219-357F
DATE Oct. 31, 1979
DRAWING NO. Z-49

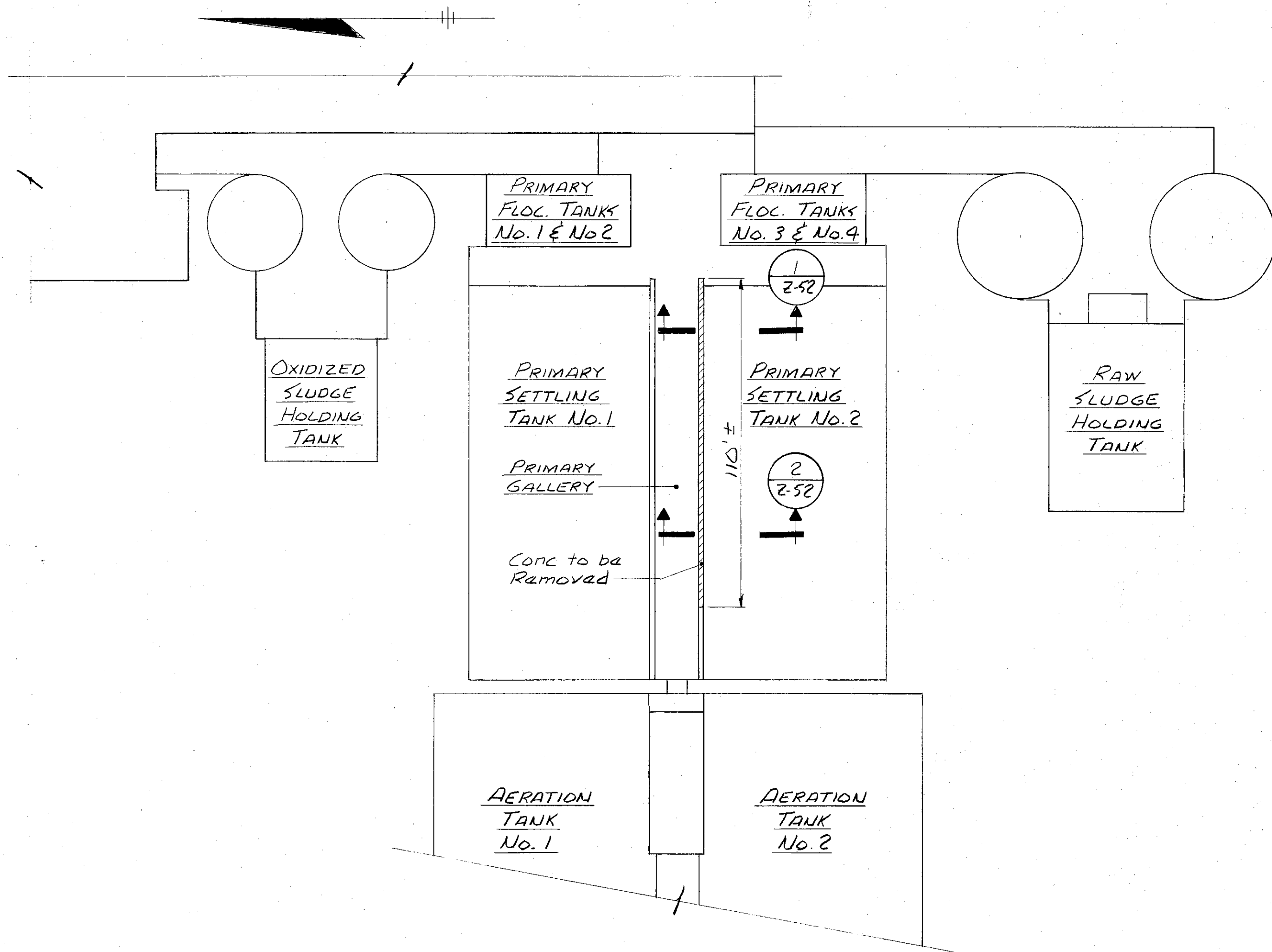


In charge of *William J. Nelson*
Designed by *T.E.L.* Checked by *W.E.E.*
Made by *T.E.E.*

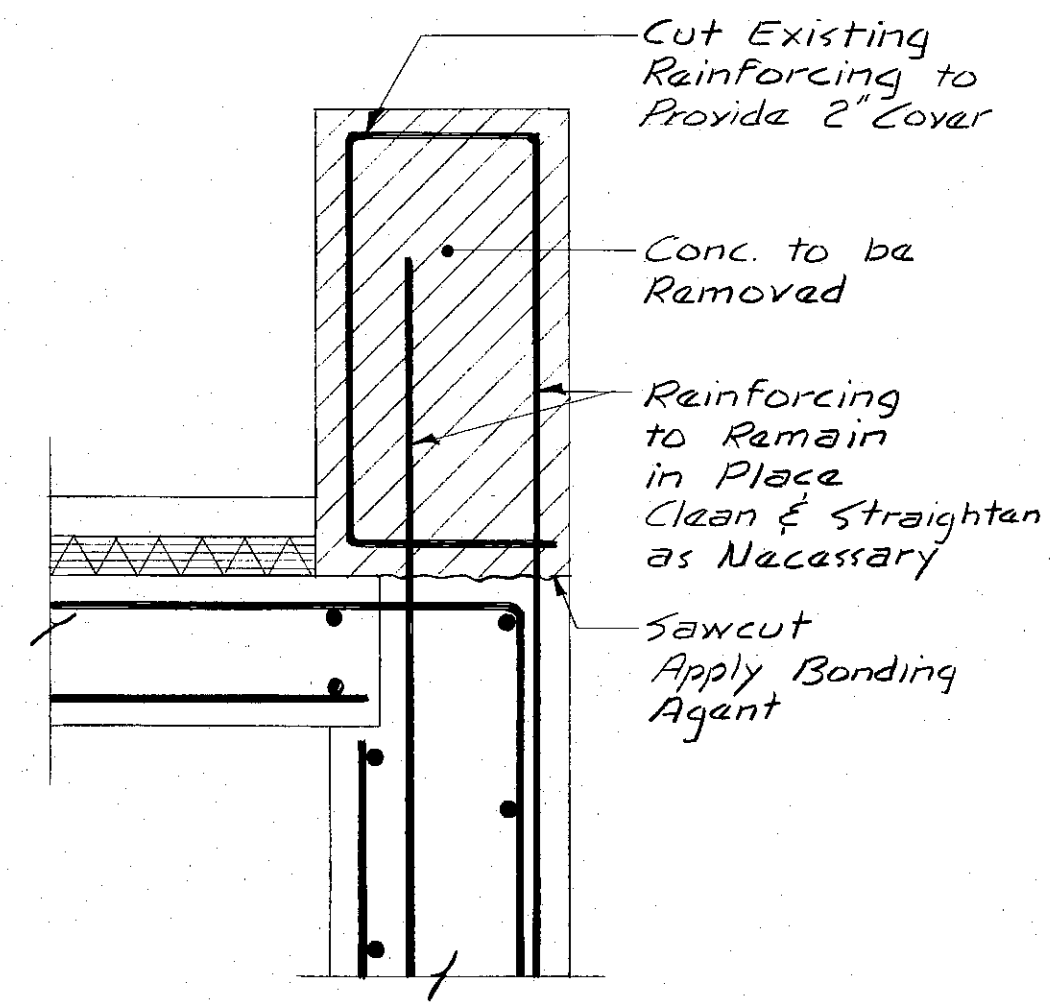
Bill Nelson



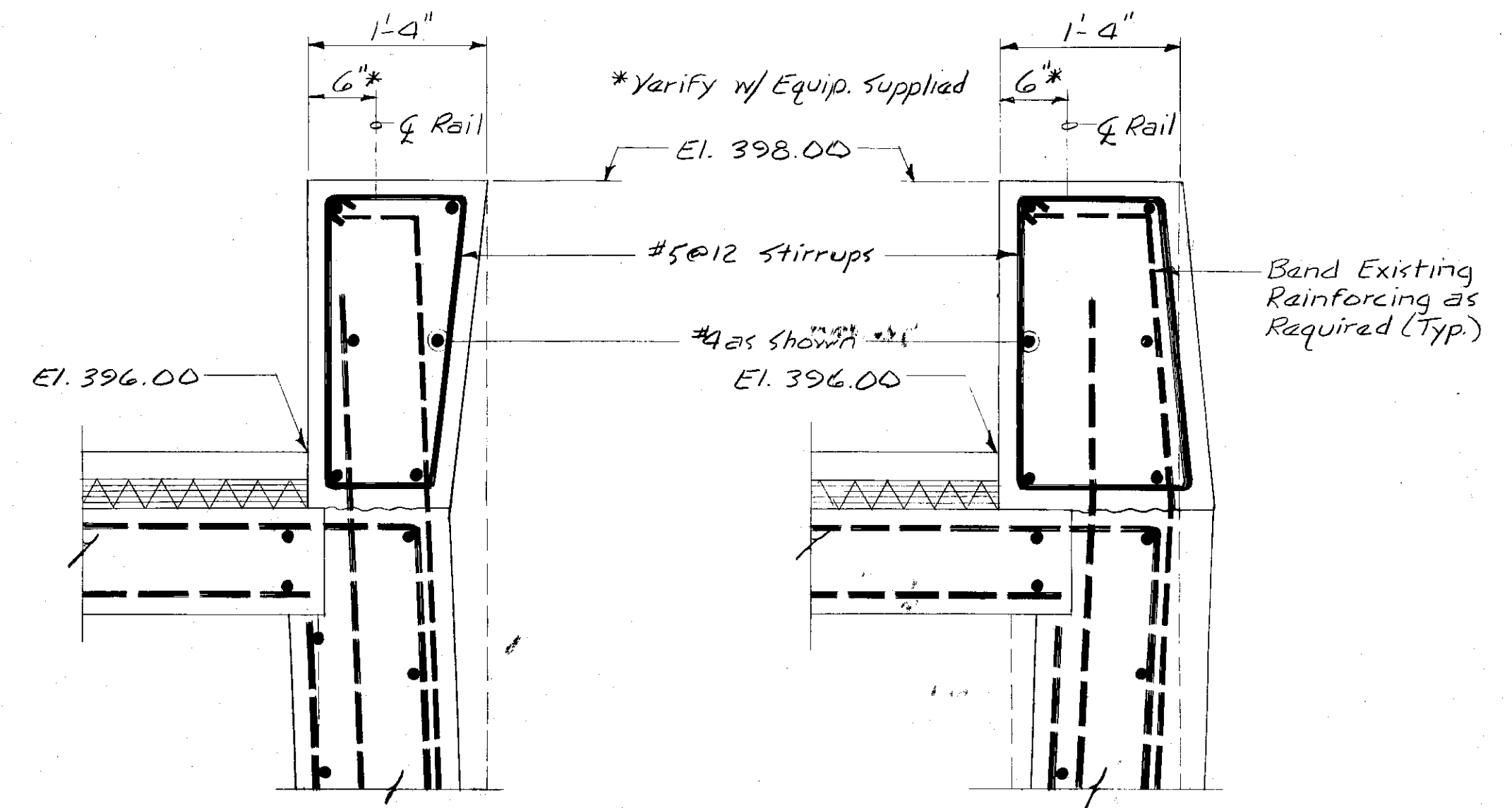
In charge of _____	SCALE: AS SHOWN	NO. _____	DATE _____	REVISION _____	INIT. _____	 O'BRIEN & GERE ENGINEERS, INC. Syracuse, New York	CLAY SANITARY DISTRICT OAK ORCHARD SERVICE AREA OAK ORCHARD WATER POLLUTION CONTROL PLANT	RECORD DRAWING Z-DRAWINGS Z-44R, Z-49 & Z-50	FILE NO. 115.219-419RD	RD-32
Designed by _____ Checked by _____	MADE BY <i>D.J.H.</i>	DATE _____	REVISION _____	INIT. _____	DATE AUGUST, 1980					



LOCATION PLAN
Scale: 1" = 30'



DEMOLITION SECTION
Scale: 1" = 1'-0"



SECTION 1
Scale: 1" = 1'-0"

SECTION 2
Scale: 1" = 1'-0"

- NOTES:**
1. Remove approximately 110 L.F. of wall, as shown on the location plan to El. 396.00
 2. North face of new wall shall be located as shown on the contract drawings
 3. South face of new wall shall be located as follows: Top corner shall be as shown on the contract drawings and the face shall slope to the location of the sawcut
 4. Bonding agent shall be SIKADUR LO-MOD as mfd. by Sika Chemical Corp., Lyndhurst, N.J.

Ell id low

Ref. Dwg 5-31 C 1 X A Mod. # 47

In charge of <i>W. J. ...</i>	1" = 30'	NO.	DATE	REVISION	INIT.
Designed by <i>IWS</i> Checked by <i>IWS</i>	0 30 60				
Made by <i>SPK</i>	1" = 1'-0"				
	1 6 0 1 2				

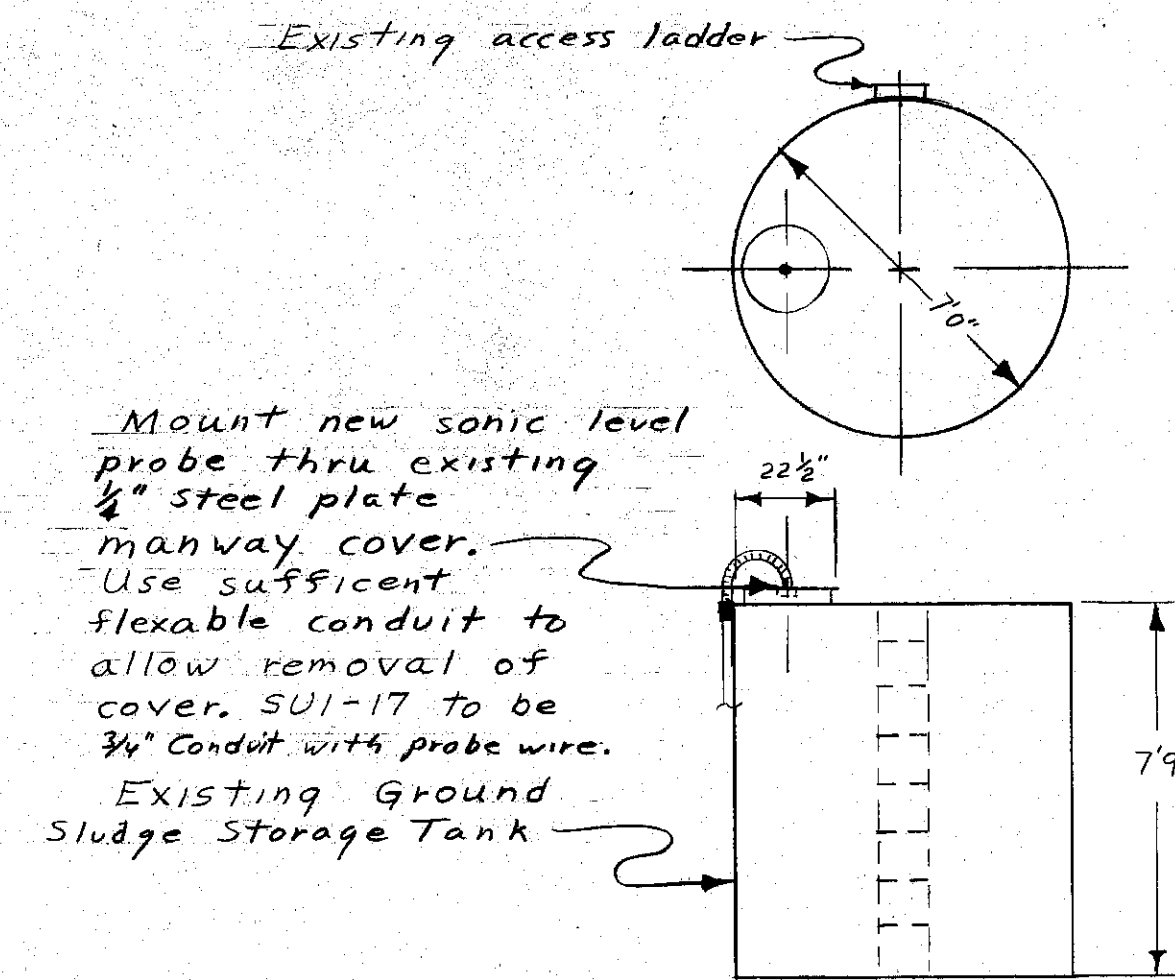
O'BRIEN & GERE
ENGINEERS, INC.
Syracuse, New York

CLAY SANITARY DISTRICT
OAK ORCHARD SERVICE AREA
OAK ORCHARD WATER POLLUTION CONTROL PLANT

STRUCTURAL
Z-52R
PRIMARY GALLERY
WALL REPAIR

FILE NO.
115.219-420RD
DATE
SEPT. 9, 1980
RD-33

ADDITIONAL INSTRUMENTATION		
Item	Description	Quantity
1	Large case recorder	1
2	Ultra sonic level detector	1
3	60 Point annunciator	1
4	12 Point annunciator	1
5	Miniature Electronic controller	6
6	Control cabinets	2



DETAIL A
Scale 1/4" = 1'-0"

Conduits rise vertically to Plant Control Room Rm #213. See sheet Z-54 for exact termination.

ELEVATOR EQUIPMENT ROOM

CTC #4 (Second Floor) UNIT A

PRIMARY CROSS GALLERY (Wet Location)

SUI-3,4,5,6-25#12 in each 1" EMT Conduit from CTC #4 to Control Room by C-9B.

UNIT B

NORTH PRIMARY CROSS GALLERY (Wet Location)

Existing ground sludge storage tank. Add sonic level probe, range 0-7 ft. Power from LP4-39 and connect output to CTC-4 using existing conductor in CM-44 provided under original contract. See detail A sheet Z-53 and one line sheet Z-65.

OXIDIZED SLUDGE PUMP STATION (Wet Location)

New control cabinet no. 2 with 2 electronic controllers similar to thickened sludge transfer pump controllers for Recycle Pumps. Each controller to be connected to two pumps. See sheet Z-54 for exact location. Wire to Recycle pump DC drives, LP7-10 and CTC #1. See one line on sheet Z-65 and location details on sheet Z-54

SUI-12 New 3/4" conduit with 2#12 for power to controllers Existing LP7-10

PRIMARY GALLERY (Wet Location)

UNIT C

COMPRESSOR ROOM

ACCESS UNIT K
SECONDARY GALLERY (Wet Location)
SUI-18 3/4" conduit with 2#12
SUI-19 3/4" conduit with 2#12 CTC #2 Annunciator #2
SUI-16 3/4" conduit with one twisted pair #14
SUI-2 18 #12 in 1" Conduit From Ann #2 to Control Room by C-9B. Cable Furnished & Installed by C-9B.
SUI-8 24 #14 in 1" New Large Case Recorder

NORTH SECONDARY CROSS GALLERY (Wet Location)

ACCESS UNIT H
SUI-14 New 3/4" Conduit #4 twisted pair.
SUI-10 1" Conduit with 6 twisted pair #14 to CTC #1

AERATION GALLERY (Wet Location)

SOUTH SECONDARY CROSS GALLERY (Wet Location)

SUI-7 Fish wire in 3/4" Conduit from Future MUX 5 to Control Room by C-9B.

Future MUX 5 Location Existing Oxygen System Instrument Panel

UNIT I

SUI-1 18 #12 in 1" Conduit From CTC #1 to Ann #4 in Control Room by C-9B. Cable Furnished & Installed C-9B.

New control cabinet no. 1 with 4 miniature cabinet mounted controllers for thickened sludge and thickened sludge transfer pumps. See sheet Z-54 for exact location and sheet Z-65 for one line.

SUI-13 New 3/4" conduit with 2#14 twisted pair to each of 4 DC drives

SOUTH PRIMARY CROSS GALLERY (Wet Location)

SUI-11 New 1 1/2" Conduit with 12 twisted pair and 16 #14 to CTC #4

Existing LP6-17
SUI-15 New 3/4" Conduit to controllers, Power #2#12

Notes:
1. All conduit to be Galv. Rigid Steel except where noted.
2. Conduits labeled SUI are new start up instrumentation conduits provided by this modification.

THICKENED SLUDGE PUMP STATION (Wet Location)

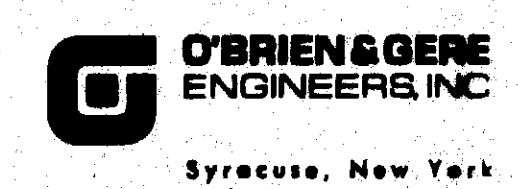
Δ V20 37B

BLL ed/low

NO.	DATE	REVISION
1	4/4/80	Deleted PVC Coated Conduit

In charge of *William H. H. H.*
Designed by *TEL* Checked by *J.H.F.*
Made by *TEL*

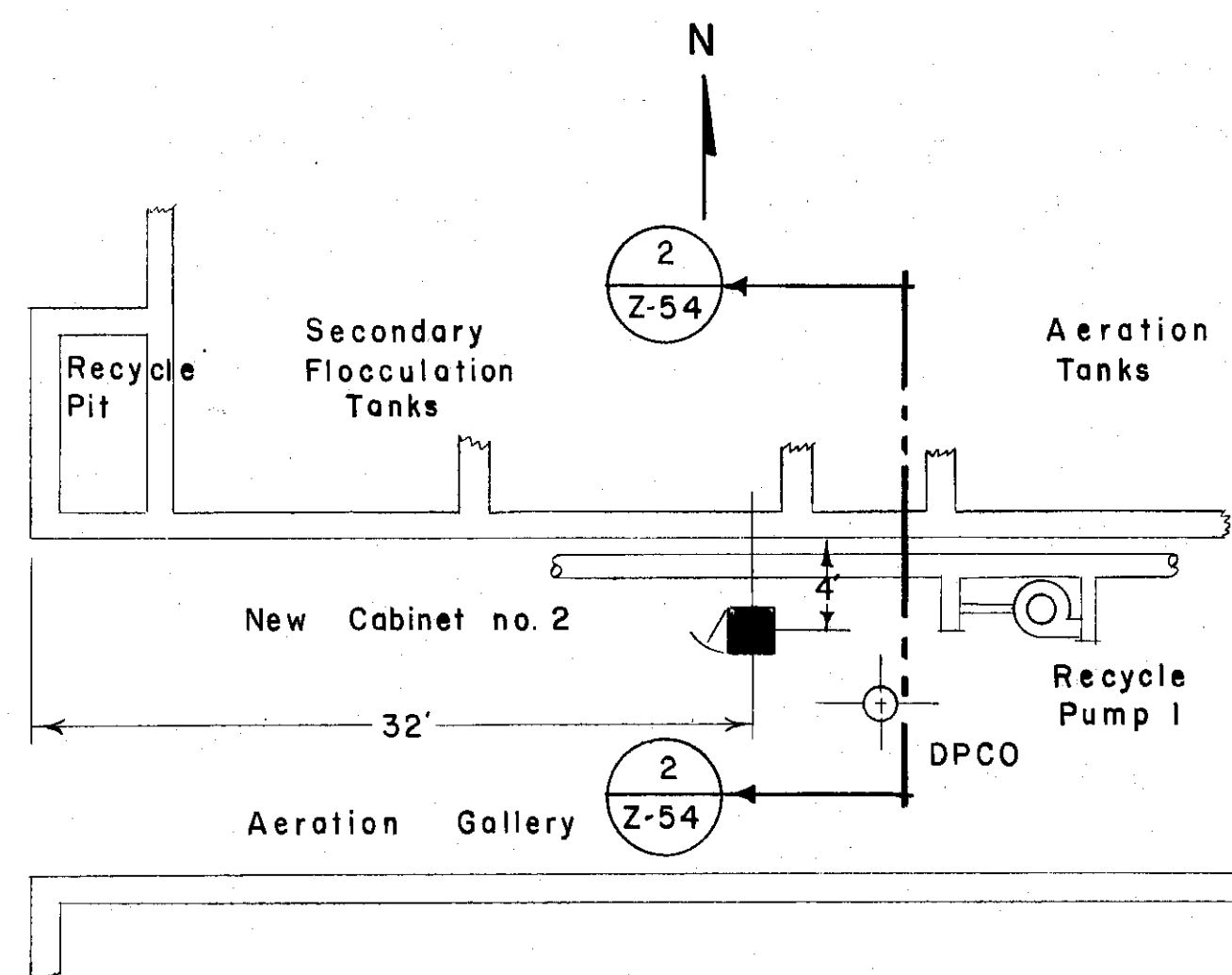
Scale: 1" = 20' (horizontal), 1/4" = 1'-0" (vertical)



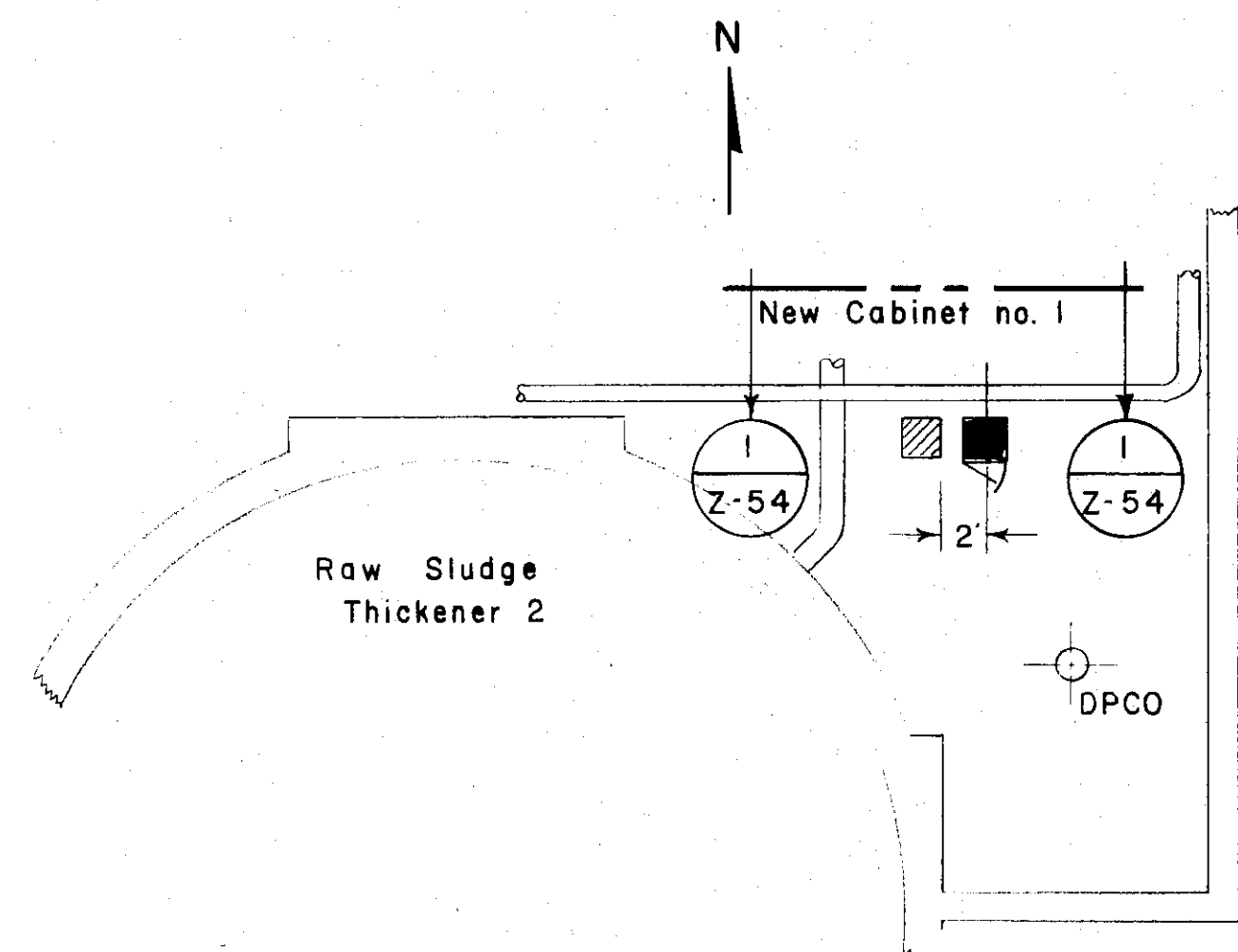
CLAY SANITARY DISTRICT
OAK ORCHARD SERVICE AREA
OAK ORCHARD WATER POLLUTION CONTROL PLANT

START-UP INSTRUMENTATION
OAK ORCHARD
GALLERY Z-53

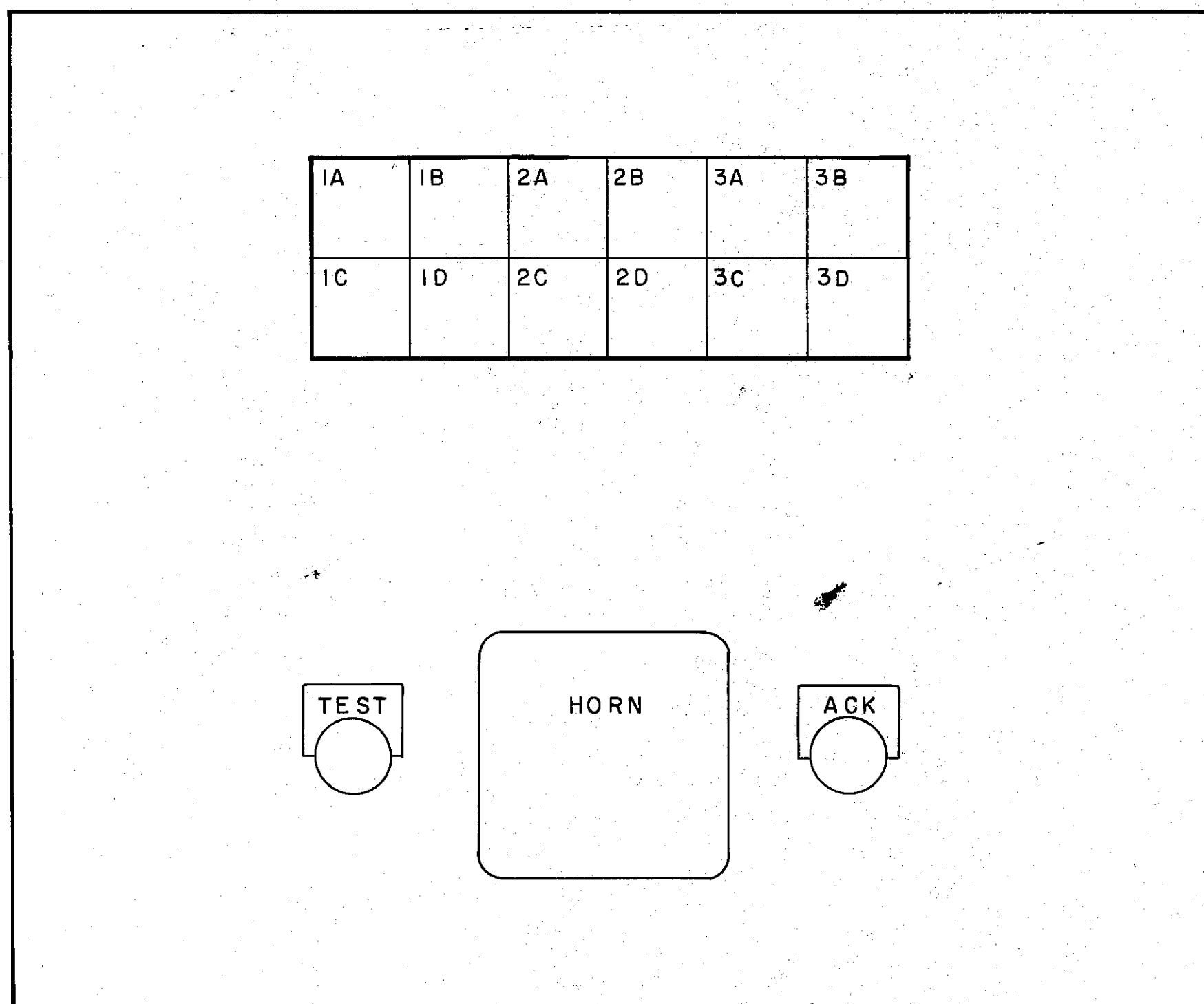
FILE NO. 115.219-421RD
DATE OCTOBER, 1980
RD-34



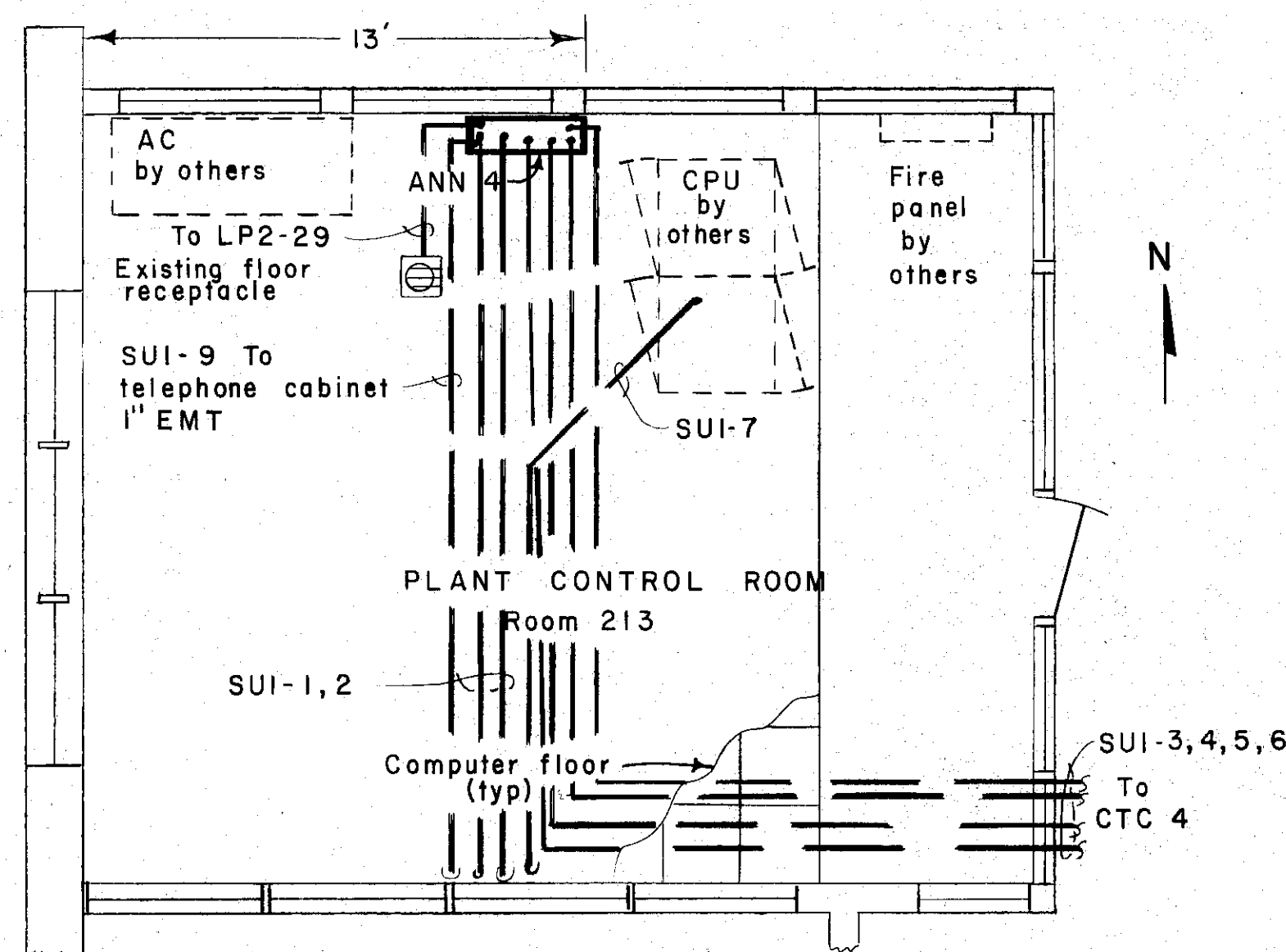
RECYCLE CONTROLLERS
SCALE 1/8" = 1'-0"



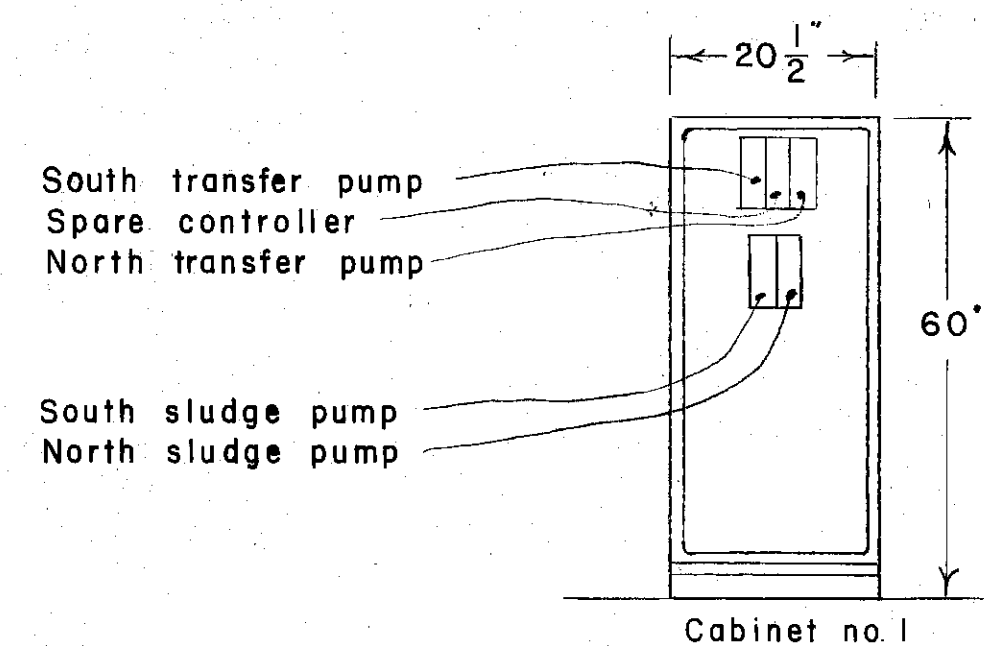
THICKENED SLUDGE PUMP CONTROLLERS
SCALE 1/8" = 1'-0"



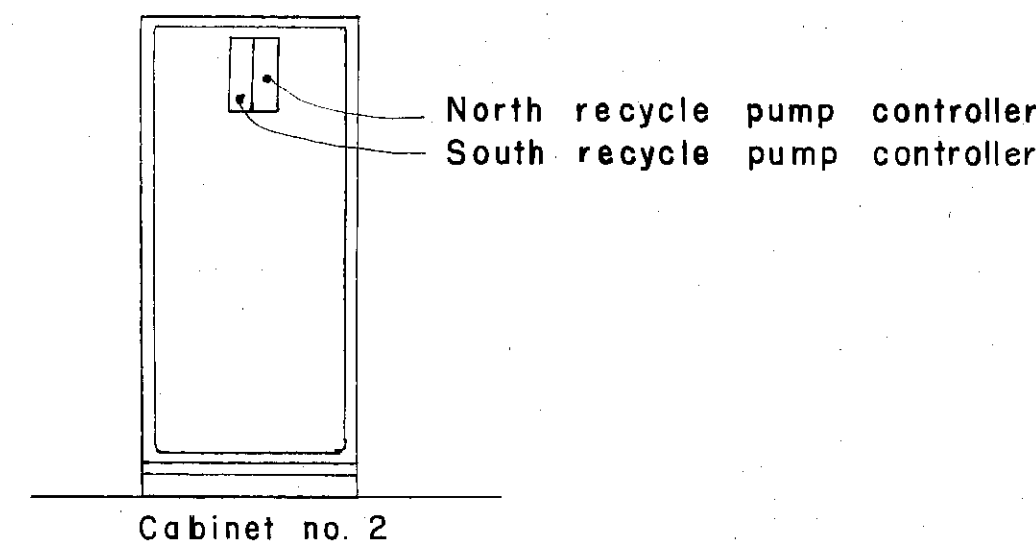
ANNUNCIATOR 2
SCALE 3/8" = 1"



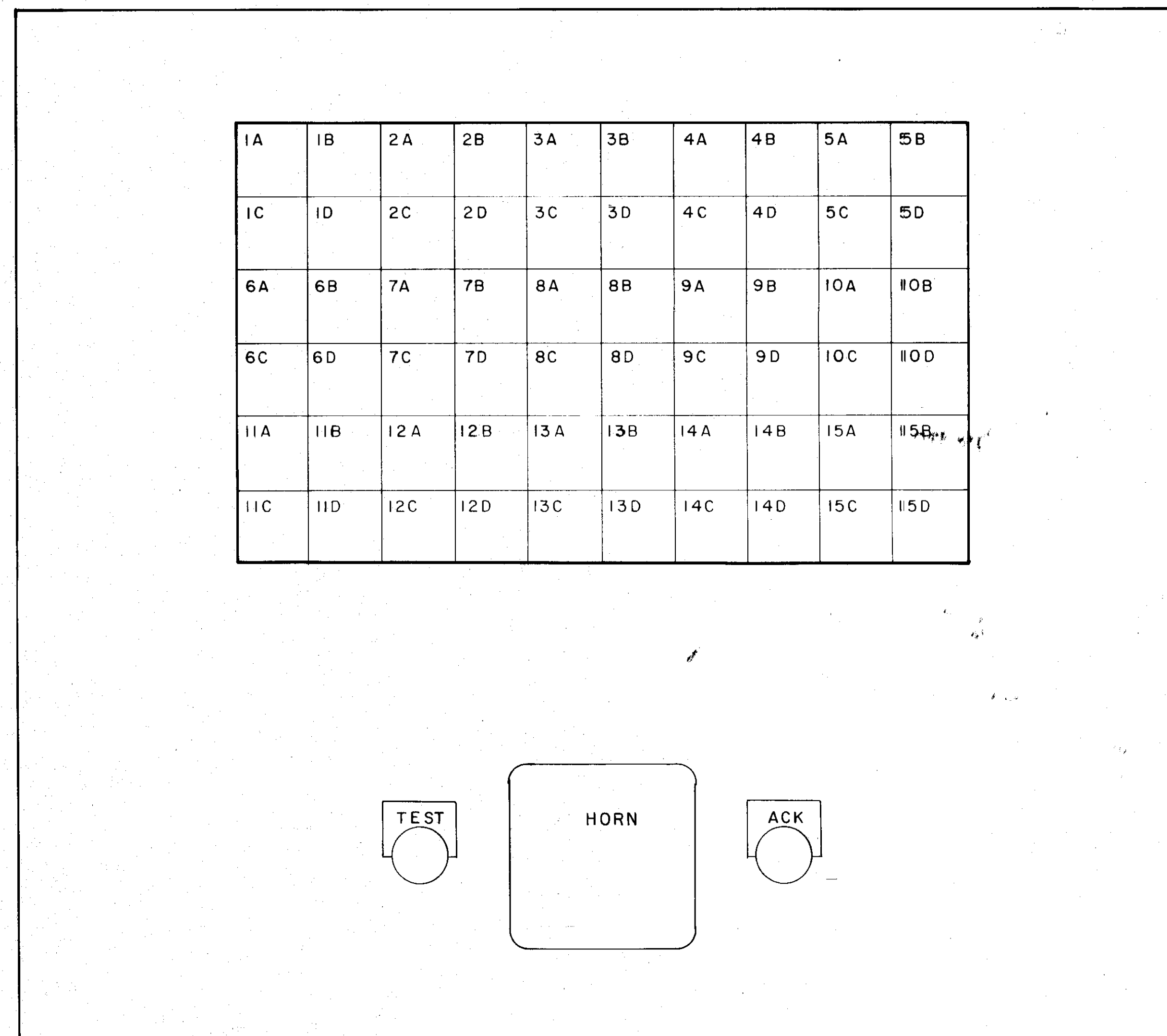
PLANT CONTROL ROOM
SCALE 1/4" = 1'-0"



SECTION 1
Z-54



SECTION 2
Z-54



ANNUNCIATOR 4
SCALE 3/8" = 1"

In charge of	1/8" = 1'-0"	NO.	DATE	REVISION	INIT.
Designed by	3/8" = 1"				
Made by	1/4" = 1'-0"				

O'BRIEN & GERE ENGINEERS, INC.
Syracuse, New York

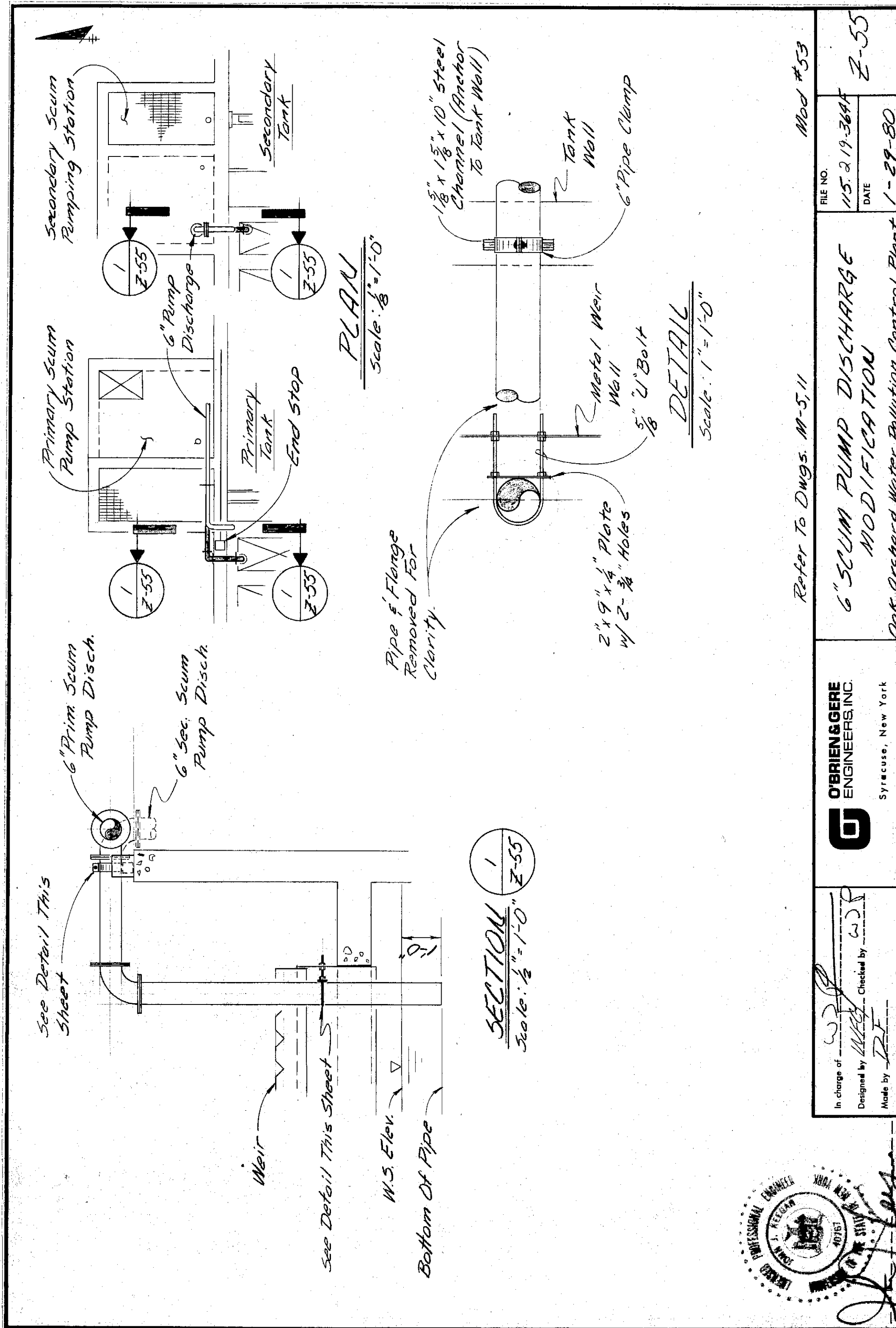
CLAY SANITARY DISTRICT
OAK ORCHARD SERVICE AREA
OAK ORCHARD WATER POLLUTION CONTROL PLANT

MOD 37B

START-UP INSTRUMENTATION
OAK ORCHARD
DETAILS
Z-54

FILE NO.
115 219-422 RD
DATE
OCTOBER, 1980

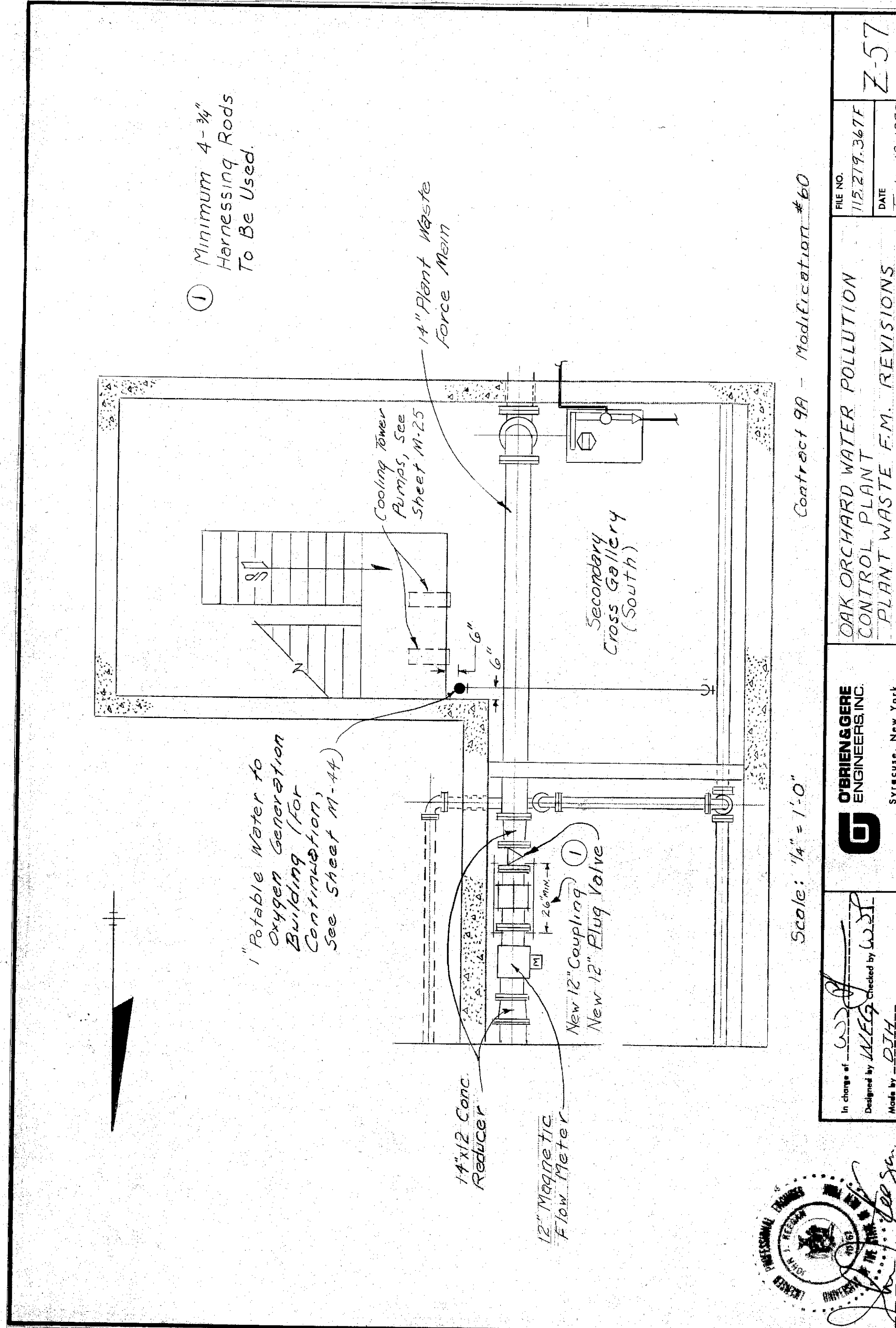
RD-35



Refer to Dwg. M-5-11
6" SCUM PUMP DISCHARGE MODIFICATION
 Oak Orchard Water Pollution Control Plant 1-29-80

O'BRIEN & GERE ENGINEERS, INC.
 Syracuse, New York
 In charge of: [Signature]
 Designed by: [Signature]
 Checked by: [Signature]
 Made by: [Signature]

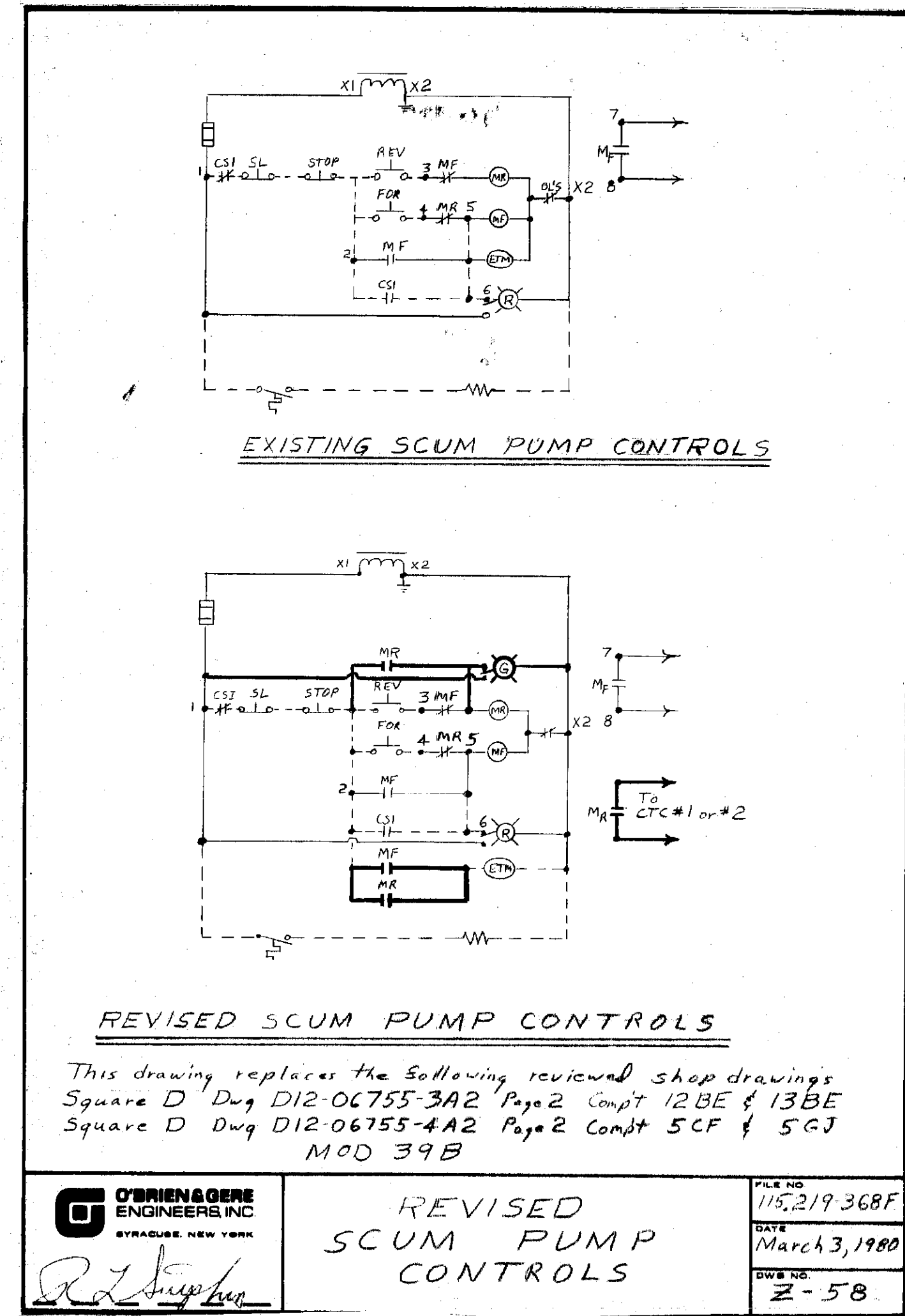
Mod #53
 FILE NO. 115.219.368F
 DATE Z-55



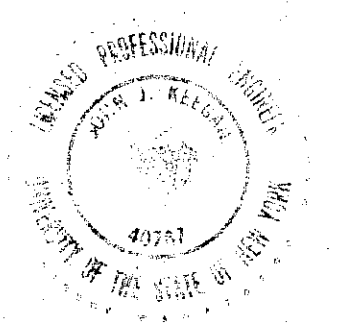
Contract 9A - Modification #60
OAK ORCHARD WATER POLLUTION CONTROL PLANT
 PLANT WASTE F.M. REVISIONS

O'BRIEN & GERE ENGINEERS, INC.
 Syracuse, New York
 In charge of: [Signature]
 Designed by: [Signature]
 Checked by: [Signature]
 Made by: [Signature]

Mod #60
 FILE NO. 115.219.367F
 DATE Z-57



O'BRIEN & GERE ENGINEERS, INC.
 Syracuse, New York
REVISED SCUM PUMP CONTROLS
 This drawing replaces the following reviewed shop drawings:
 Square D Dwg D12-06755-3A2 Page 2 Compt 12BE & 13BE
 Square D Dwg D12-06755-4A2 Page 2 Compt 5CF & 5GJ
 MOD 39B
 FILE NO. 115.219.368F
 DATE March 3, 1980
 DWS NO. Z-58



In charge of _____
 Designed by _____ Checked by _____
 Made by DJH

SCALE: AS SHOWN

NO.	DATE	REVISION	INIT.

O'BRIEN & GERE ENGINEERS, INC.
 Syracuse, New York

CLAY SANITARY DISTRICT
 OAK ORCHARD SERVICE AREA
 OAK ORCHARD WATER POLLUTION CONTROL PLANT

RECORD DRAWING
 Z- DRAWINGS
 Z-55, Z-57 & Z-58

FILE NO. 115.219-423RD
 DATE AUGUST, 1980

RD-36

Bill id low

1) Miniature Electronic Controllers

Controllers shall be solid state electronic units requiring 120 AC power and shall be suitable for panel mounting. Units shall have a 1-11/32" wide by 8-3/4" long tape scale displaying the set point and process variable. It shall output a 4-20 mA DC signal into an existing load and have output limiters. Under normal operation, the unit shall receive a 4-20 mA DC signal from the Computer and output a proportional 4-20 mA signal to the DC drive(s) of its respective pump(s). If the computer signal becomes unavailable, the unit shall automatically switch to receiving the 4-20 mA signal from the process variable and output a proportional 4-20 mA DC signal to the DC drive. The proportional band shall be continuously adjustable between 3-500% and unit shall have adjustable automatic reset from .02 to 50 min. plus derivative range of .01 to 8 min. Transfer between computer, automatic and manual modes shall be balance-less bumpless in all directions. Unit shall be compatible with present instrumentation and will receive its set point from a future computer system. Station shall have set point tracking.

2) Cabinets

Cabinets shall be constructed of fiberglass reinforced polyester resin with all exterior surfaces molded smooth and with a minimum of 1/8" thickness. Color shall be molded in and require no painting. Cabinet shall have mounting channels required to mount the electronic controllers shown on drawings. Cabinet shall have a hinged door with gasket and three point latches. Cabinet size to be 24" wide X 21" Deep X 60" High. Cabinet shall have a 3" wide mounting flange along the base to allow bolting to equipment pad.

3) Large Case Recorder

Recorder shall be solid state, large case surface mounted, 24 hour single pen, 12" circular chart recorder with a scale range of 0-30 MGD. Unit shall have 120 Volt A/C chart drive, integrator, totalizer, chart light and safety glass in door. Unit shall receive 4-20 mA DC signal from adjacent sonic-flow meter.

Provide sufficient additional chart paper, ink cartridges and pens for four (4) years of continuous operation.

4) Annunciator

Annunciator shall be solid state with type AS sequence. Upon initiation of alarm contact the horn shall sound and alarm modules lamps shall commence flashing. Depressing of acknowledge pushbutton on front of enclosure shall stop horn from sounding and cause flashing lamps to burn at full intensity. The alarm shall automatically reset when the alarm contact clears. Unit shall be housed in a surface mounted NEMA 12 enclosure with hinged door and shall have all field wiring accessible from the front of the cabinet. The horn, acknowledge pushbutton and test pushbutton shall be mounted in the face of the enclosure. Individual quadralarm units shall be engraved with 1/8" letters, colored and have bezels as shown on the drawings. All alarms in the 12 space unit shall have isolated auxiliary contacts to repeat alarm contact condition. Power supplies shall be of sufficient capacity to power all lamps and allow for voltage losses to field mounted alarm contacts.

Alarm boards shall be capable of individual selection of incoming alarms from either normally open or normally closed field contacts.

5) Ultrasonic Level Detector

Ultrasonic level detector shall be as specified in MP-193 "Electronic Instrumentation" Section 10 "Level Transmitter" and shall be compatible with the existing units utilized on this project. Range shall be 0-7 feet. Provide LMS 15 K Kynar sensor, 4-20 mA output, five field adjustable alarm contacts, and level panel with visible dial type indicator calibrated 0-7 feet. Sensor to be mounted by drilling and welding 3/4" coupling in existing 1/4" thick steel man way cover for ground sludge storage tank.

ANNUNCIATOR #2

Compartment No.	Title	CTC	Lens	Bezel	Wire to Ann 4 Compt. No.
1A	PLANT, WATER PUMP, FAILURE	2	WHITE	RED	4A
1B	HIGH, PLT. WASTE WET WELL	2	WHITE	RED	4B
1C	SPARE	2	WHITE	RED	4C
1D	SPARE	2	WHITE	RED	4D
2A	NX COL#1, SHEAR PIN, FAILURE	2	WHITE	YELLOW	10A
2B	NX COL#2, SHEAR PIN, FAILURE	2	WHITE	YELLOW	10A
2C	SX COL#4, SHEAR PIN, FAILURE	2	WHITE	YELLOW	10A
2D	SX COL#5, SHEAR PIN, FAILURE	2	WHITE	YELLOW	10A
3A	NX COL#3, SHEAR PIN, FAILURE	2	WHITE	YELLOW	10A
3B	SPARE	2	WHITE	YELLOW	10C
3C	SX COL#6, SHEAR PIN, FAILURE	2	WHITE	YELLOW	10A
3D	SPACE FOR FLASHER MODULE	2	WHITE	YELLOW	---

WITH RETRANSMITT ON ALL INPUT CONTACTS.

ANNUNCIATOR #4

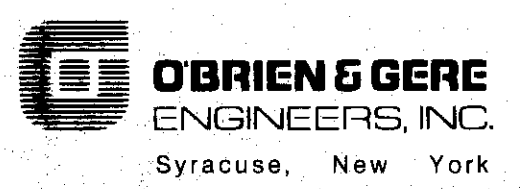
Compartment No.	Title	CTC	Lens	Bezel	From Remote Location
1A	50% LEL, NORTH RAW, SLUDGE TANK	4	WHITE	RED	---
1B	50% LEL, NORTH TANK, SLUDGE HOLDING TANK	4	WHITE	RED	---
1C	50% LEL, SOUTH RAW, SLUDGE TANK	4	WHITE	RED	---
1D	50% LEL, SOUTH TANK, SLUDGE HOLDING TANK	4	WHITE	RED	---
2A	SPARE	4	WHITE	RED	---
2B	CRITICAL, ALARM, OXYGEN SYSTEM	--	WHITE	RED	CTC 1
2C	SPARE	4	WHITE	RED	---
2D	SPARE	4	WHITE	RED	---
3A	CRITICAL, ALARM, SLUDGE	4	WHITE	RED	---
3B	CHLORINE, LEAK	--	WHITE	RED	VIA PHONE
3C	SPARE	4	WHITE	RED	---
3D	SPARE	4	WHITE	RED	---
4A	PLANT, WATER PUMP, FAILURE	--	WHITE	RED	CTC 2
4B	HIGH, PLANT WASTE, WET WELL	--	WHITE	RED	CTC 2
4C	SPARE	--	WHITE	RED	CTC 2
4D	SPARE	--	WHITE	RED	CTC 2
5A	50% LEL, N. OXIDIZED, SLUDGE TANK	4	WHITE	RED	---
5B	50% LEL, N. FILTRATE, STG. TANK	4	WHITE	RED	---
5C	50% LEL, S. OXIDIZED, SLUDGE TANK	4	WHITE	RED	---
5D	50% LEL, S. FILTRATE, STG. TANK	4	WHITE	RED	---

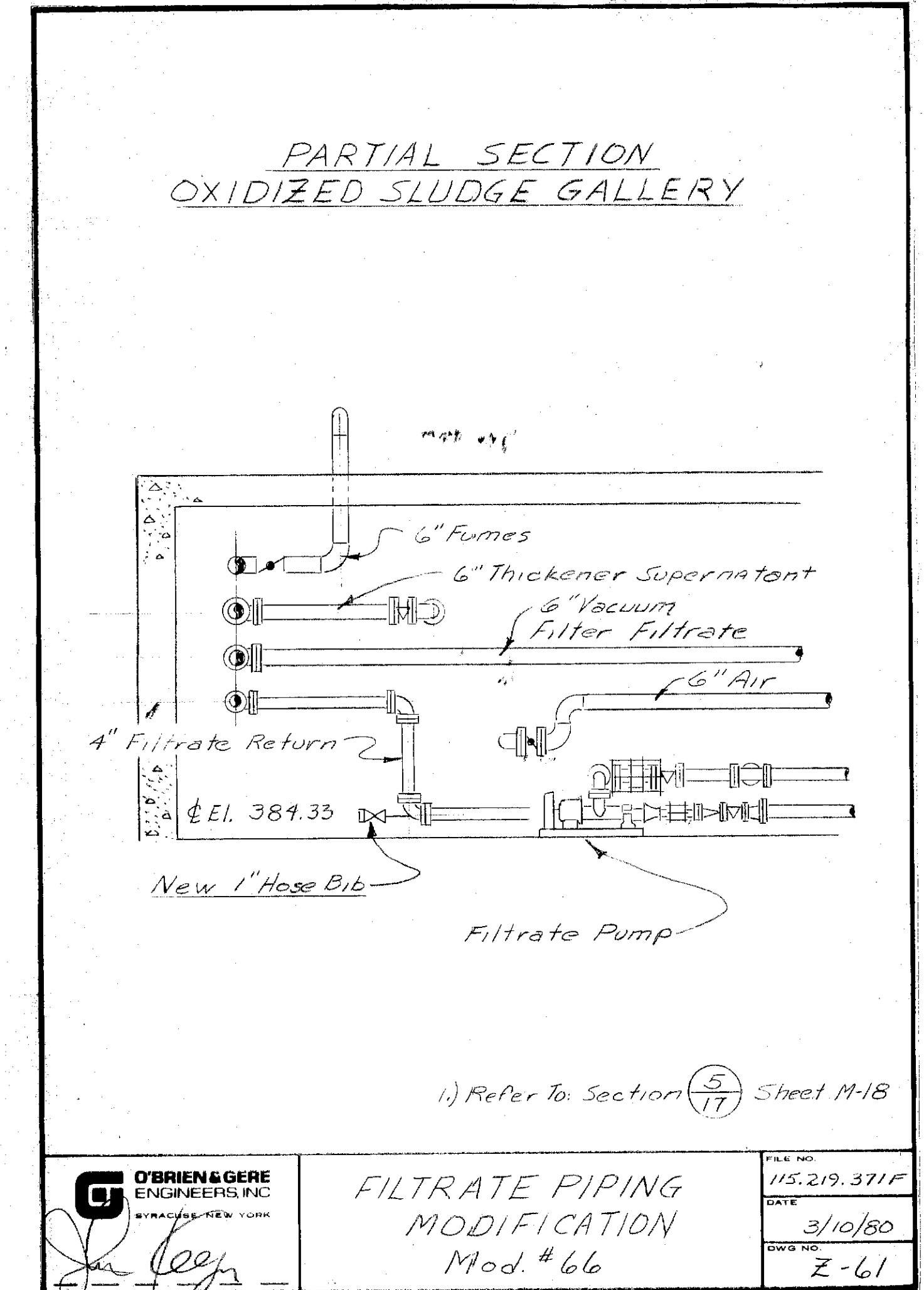
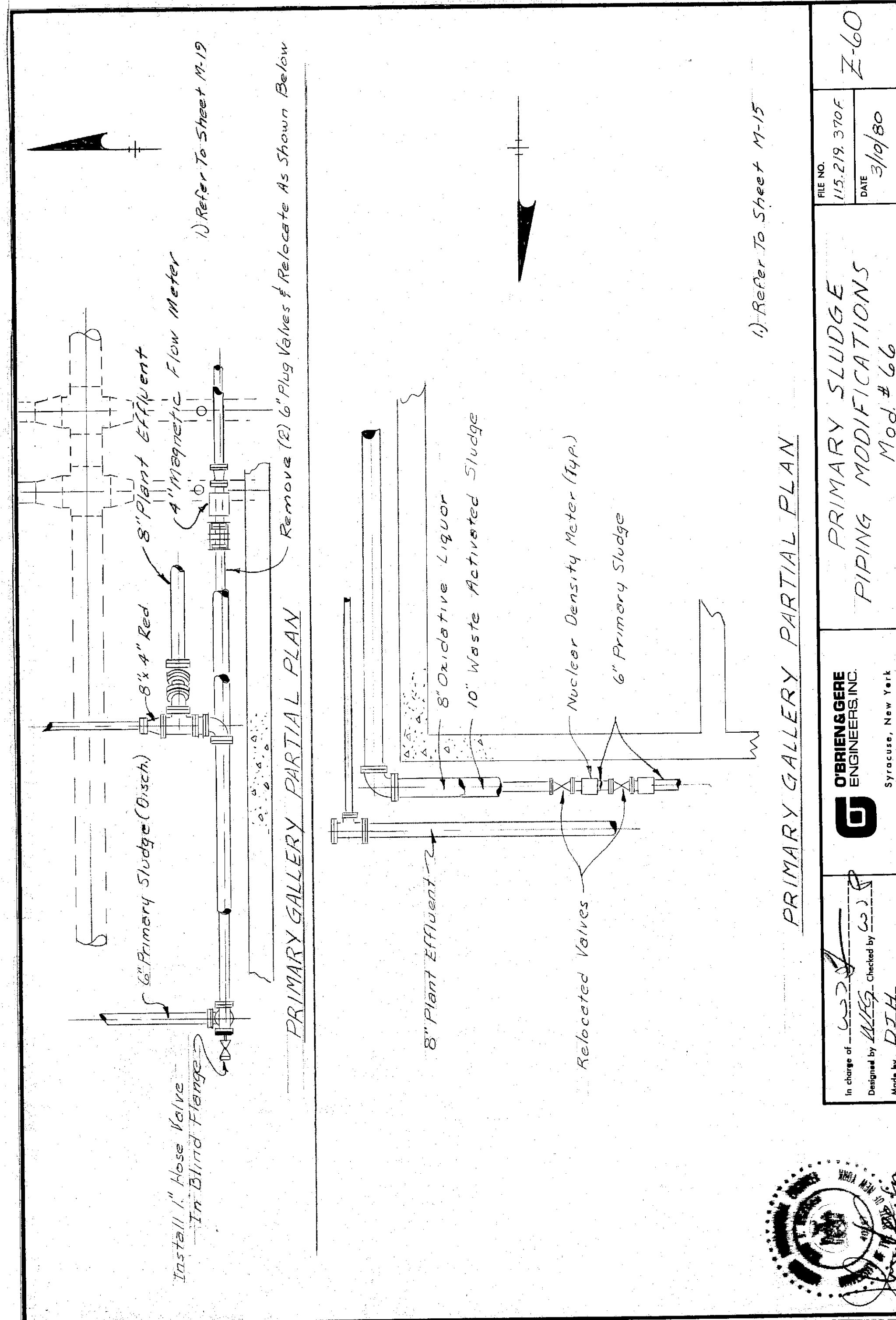
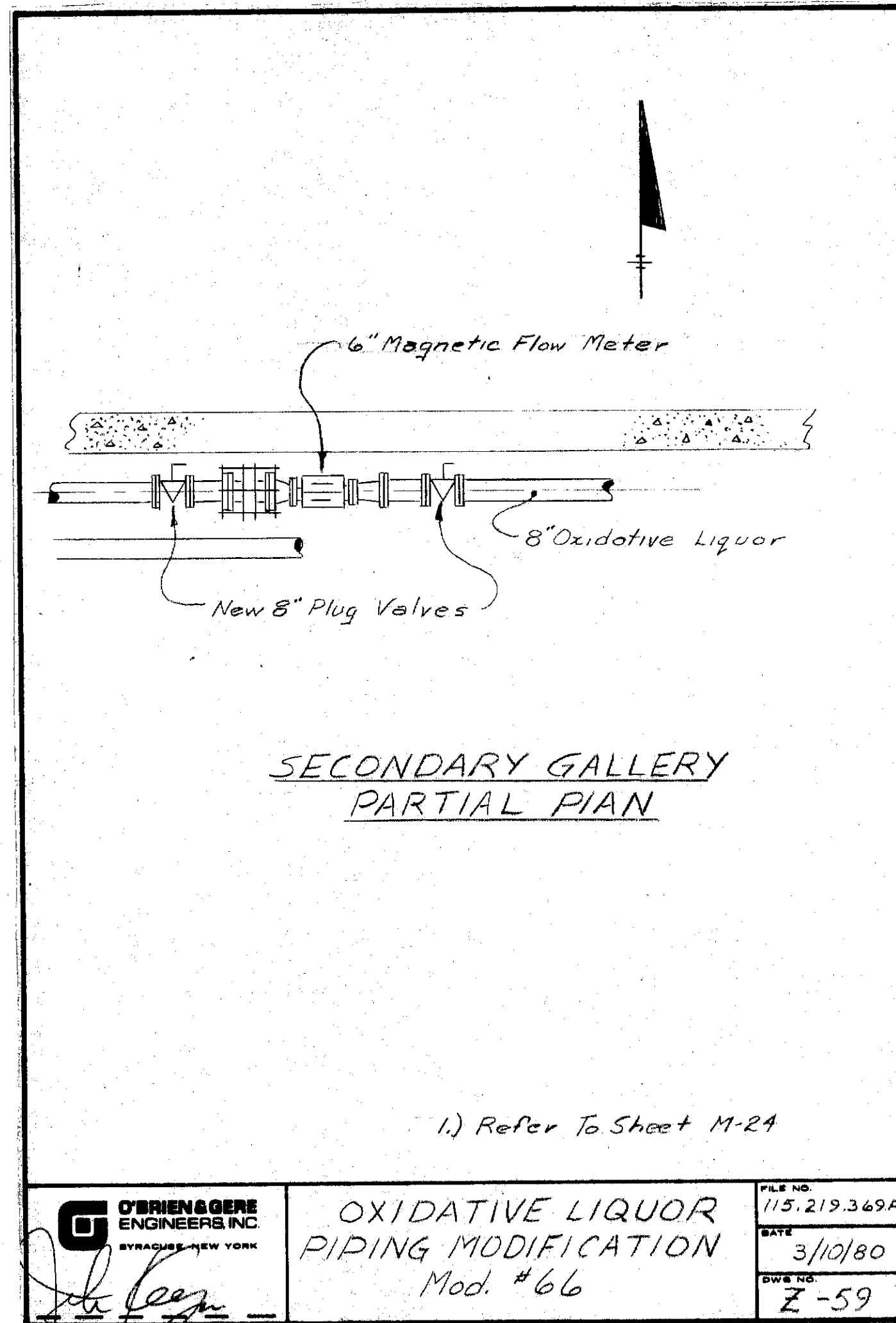
ANNUNCIATOR #4 Cont'd

Compartment No.	Title	CTC	Lens	Bezel	From Remote Location
6A	SPARE	--	WHITE	YELLOW	CTC 1
6B	SPARE	--	WHITE	YELLOW	CTC 1
6C	SPARE	--	WHITE	YELLOW	VIA PHONE
6D	SPARE	4	WHITE	YELLOW	---
7A	N. RAW TANK, IMPENDING, OVER TQ	4	WHITE	YELLOW	---
7B	N. OXID SLUDGE, IMPENDING, OVER TQ	4	WHITE	YELLOW	---
7C	S. RAW TANK, IMPENDING, OVER TQ	4	WHITE	YELLOW	---
7D	S. OXID. SLUDGE, IMPENDING, OVER TQ	4	WHITE	YELLOW	---
8A	MINOR, ALARM, OXYGEN GEN	--	WHITE	YELLOW	CTC 1
8B	N. BAR, SCREEN, ALARM	4	WHITE	YELLOW	---
8C	MINOR ALARM SLUDGE	4	WHITE	YELLOW	---
8D	S. BAR, SCREEN, ALARM	4	WHITE	YELLOW	---
9A	HEATING, BOILER	4	WHITE	YELLOW	---
9B	OIL, DAY TANK, LOW LEVEL	4	WHITE	YELLOW	---
9C	PROCESS, BOILER	4	WHITE	YELLOW	---
9D	SPARE	4	WHITE	YELLOW	---
10A	SEC. CROSS, COLLECTOR, SHEAR PIN	--	WHITE	YELLOW	CTC 2
10B	SPARE	4	WHITE	YELLOW	---
10C	SPARE	4	WHITE	YELLOW	---
10D	SPARE	4	WHITE	YELLOW	---
11A	SPARE	--	WHITE	BLUE	CTC 1
11B	N. PRIMARY, SETTLING, HI BLANKET	--	WHITE	BLUE	CTC 1
11C	SPARE	--	WHITE	BLUE	VIA PHONE
11D	PRIMARY, SETTLING, HI BLANKET	--	WHITE	BLUE	CTC 1
12A	N. TANK SLUDGE, HOLDING TANK, HI LEVEL	4	WHITE	BLUE	---
12B	S. TANK SLUDGE, HOLDING TANK, HI LEVEL	4	WHITE	BLUE	---
12C	N. TANK SLUDGE, HOLDING TANK, LOW LEVEL	4	WHITE	BLUE	---
12D	S. TANK SLUDGE, HOLDING TANK, LOW LEVEL	4	WHITE	BLUE	---
13A	N. OXID. SLUDGE, HOLDING TANK, HIGH LEVEL	4	WHITE	BLUE	---
13B	S. OXID. SLUDGE, HOLDING TANK, HIGH LEVEL	4	WHITE	BLUE	---
13C	N. OXID. SLUDGE, HOLDING TANK, LOW LEVEL	4	WHITE	BLUE	---
13D	S. OXID. SLUDGE, HOLDING TANK, LOW LEVEL	4	WHITE	BLUE	---
14A	N. FILTRATE, STG. TANK, HIGH LEVEL	4	WHITE	BLUE	---
14B	S. FILTRATE, STG. TANK, HI LEVEL	4	WHITE	BLUE	---
14C	N. FILTRATE, STG. TANK, LOW LEVEL	4	WHITE	BLUE	---
14D	S. FILTRATE, STG. TANK, LOW LEVEL	4	WHITE	BLUE	---
15A	SPARE	4	WHITE	BLUE	---
15B	SPARE	4	WHITE	BLUE	---
15C	SPARE	4	WHITE	BLUE	---
15D	SPACE FOR FLASHER MODULE	--	WHITE	BLUE	---

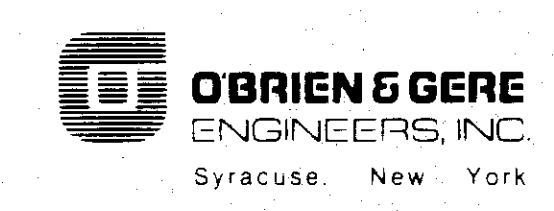
DLH

MSD 37B

In charge of <u>William A. Holt</u> Designed by <u>TEJ</u> Checked by <u>W.H.F.</u> Made by <u>TEJ/ada</u>	NO.	DATE	REVISION	INIT.	 O'BRIEN & GERE ENGINEERS, INC. Syracuse, New York	CLAY SANITARY DISTRICT OAK ORCHARD SERVICE AREA OAK ORCHARD WATER POLLUTION CONTROL PLANT	START-UP INSTRUMENTATION OAK ORCHARD SCHEDULES Z-56	FILE NO. 115.219.424RD	DATE OCTOBER, 1980	RD-37



In charge of _____	SCALE: AS SHOWN	NO.	DATE	REVISION	INT.
Designed by _____ Checked by _____					
Made by _____					

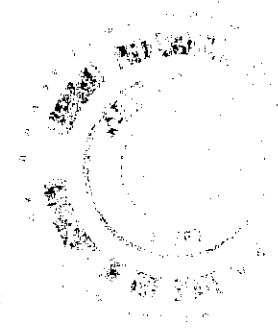
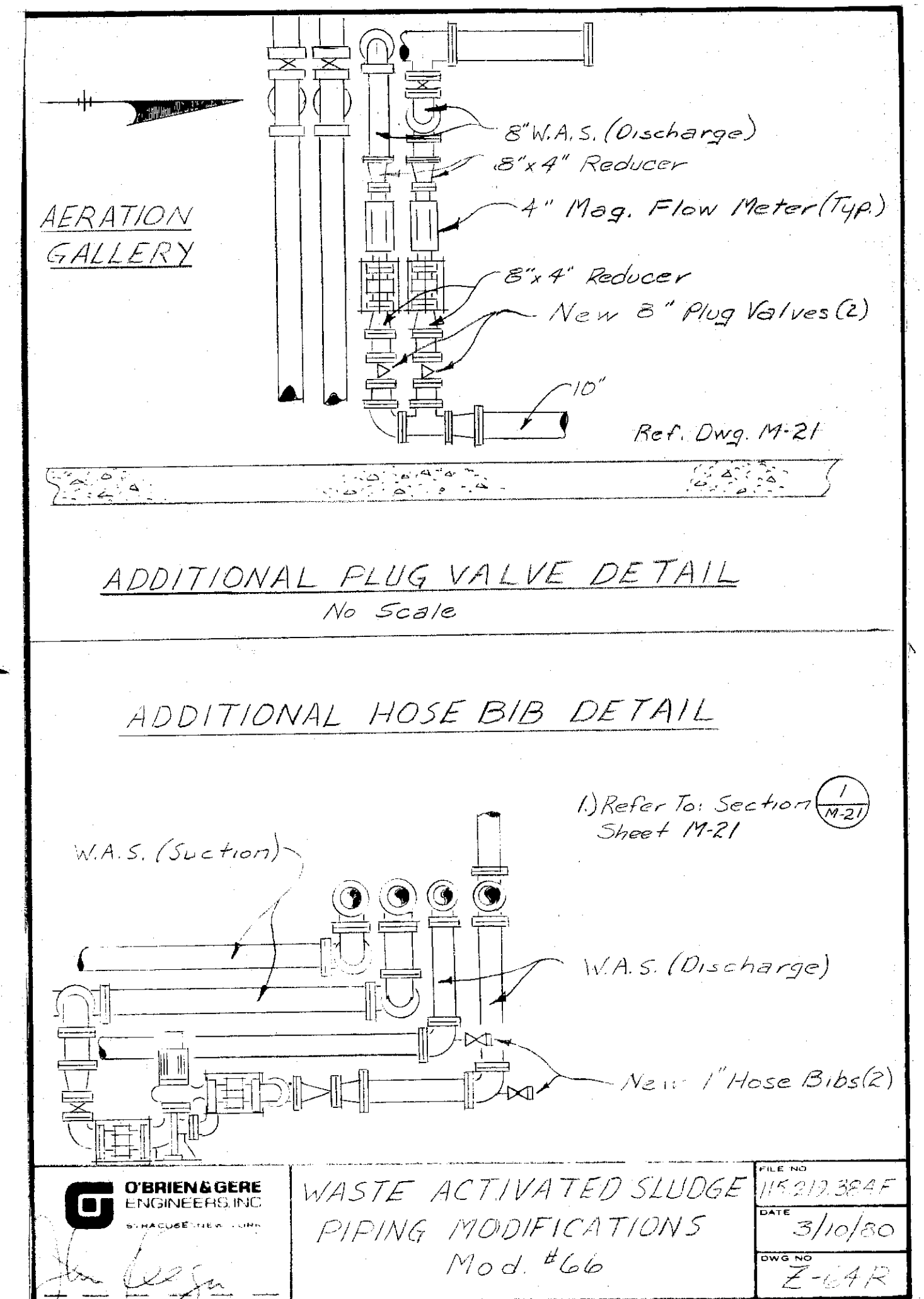
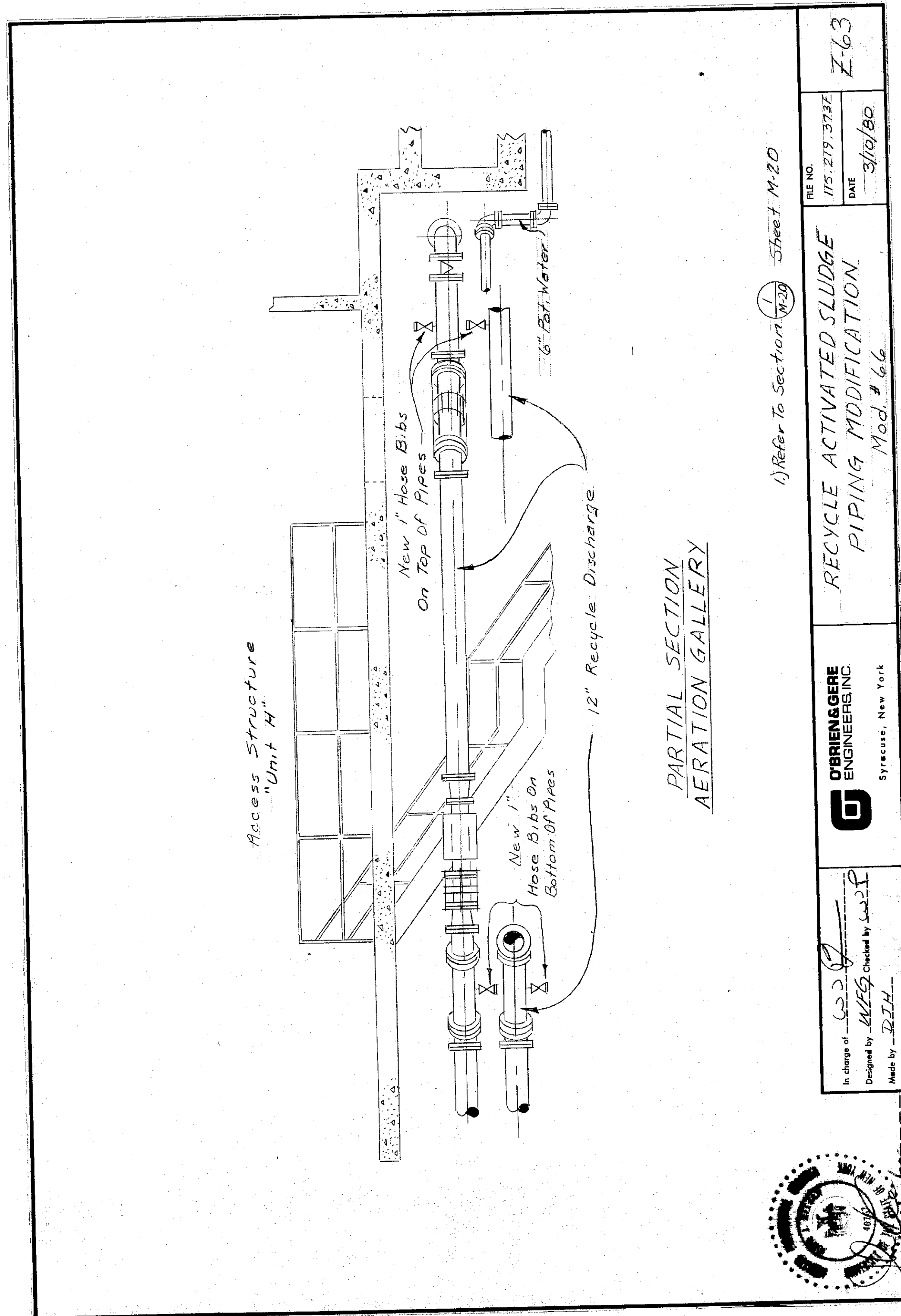
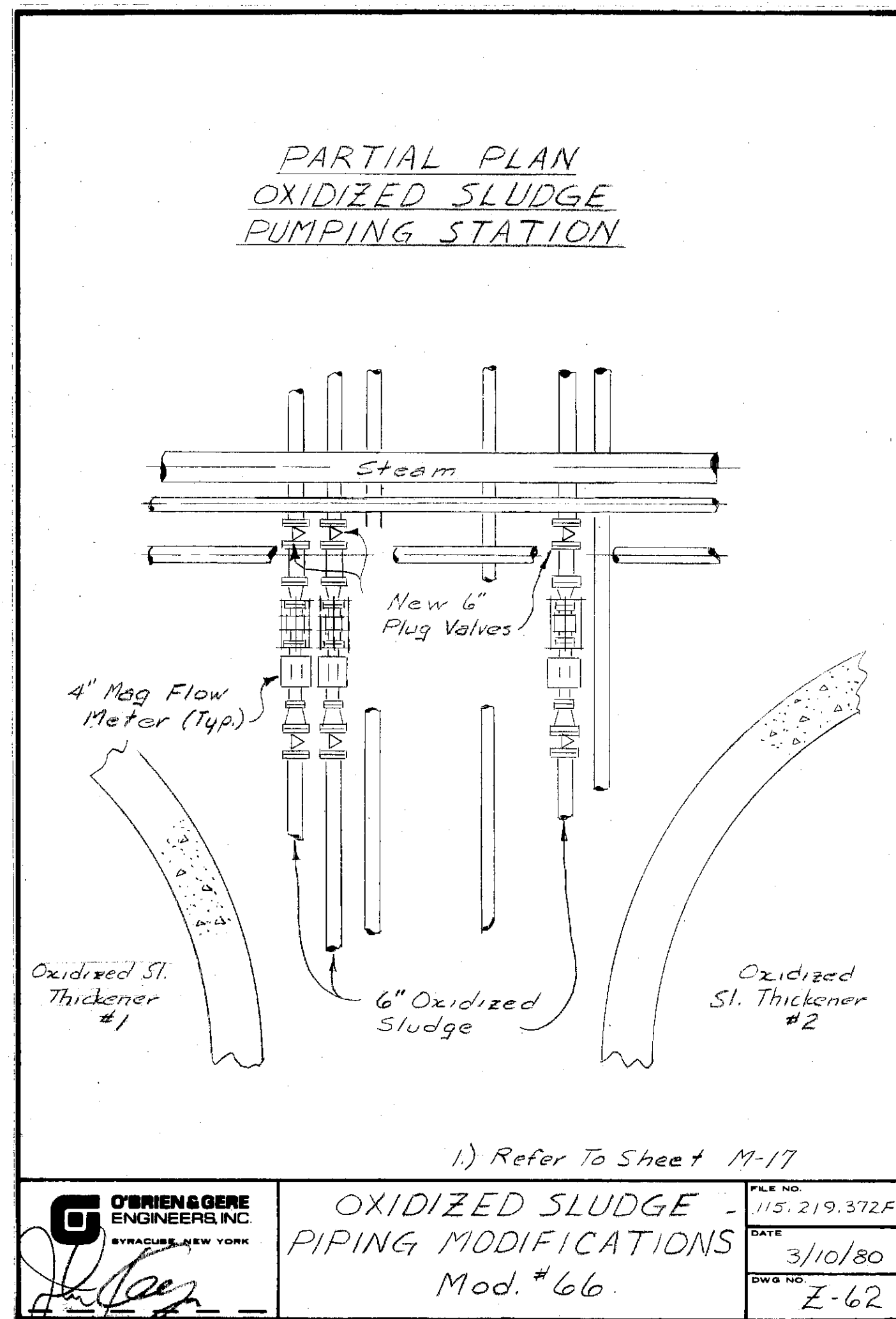


CLAY SANITARY DISTRICT
OAK ORCHARD SERVICE AREA
OAK ORCHARD WATER POLLUTION CONTROL PLANT

RECORD DRAWING
Z- DRAWINGS
Z-59, Z-60 & Z-61

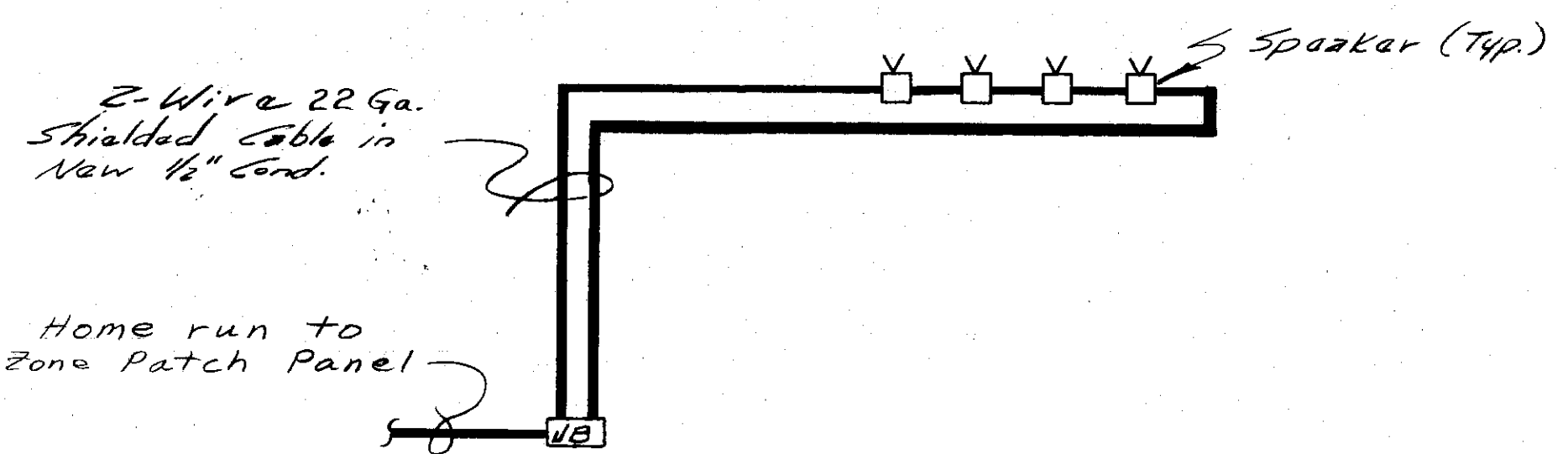
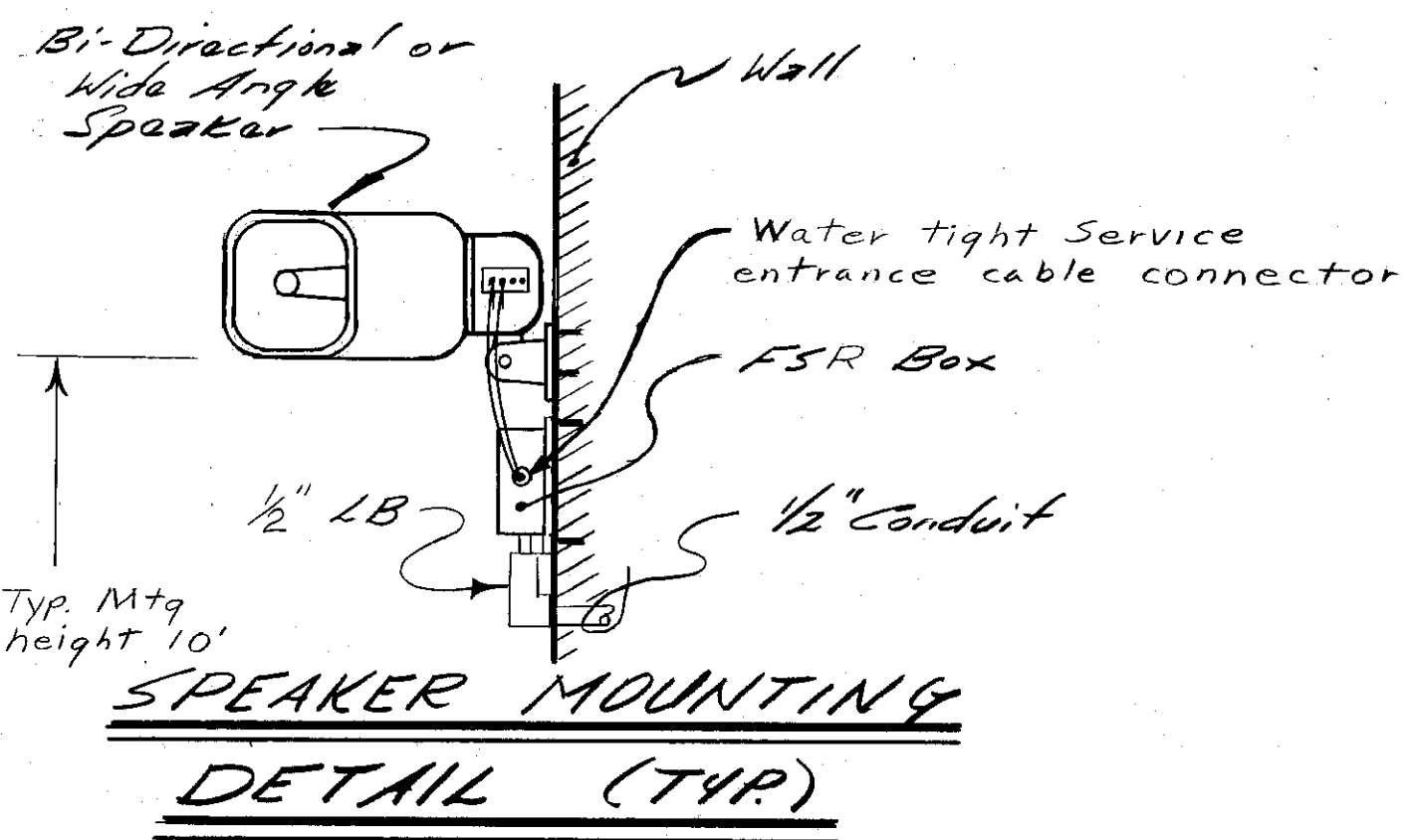
FILE NO. 115.219-425RD	RD-38
DATE AUGUST, 1980	

Ed. Lee

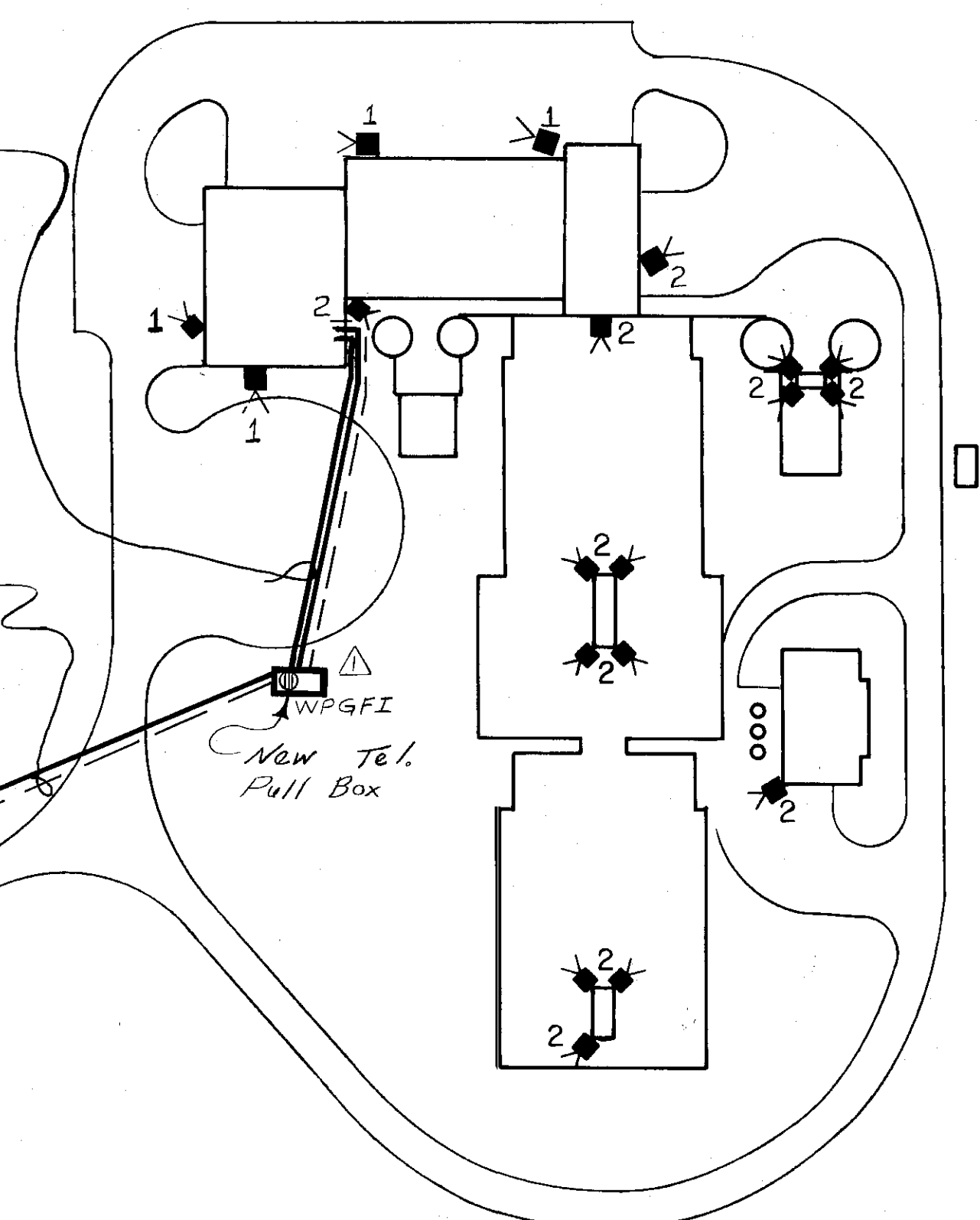


In charge of _____ Designed by _____ Checked by _____ Made by _____	SCALE: AS SHOWN	<table border="1" style="width: 100%; border-collapse: collapse;"> <thead> <tr> <th>NO.</th> <th>DATE</th> <th>REVISION</th> <th>INIT.</th> </tr> </thead> <tbody> <tr><td> </td><td> </td><td> </td><td> </td></tr> <tr><td> </td><td> </td><td> </td><td> </td></tr> <tr><td> </td><td> </td><td> </td><td> </td></tr> </tbody> </table>	NO.	DATE	REVISION	INIT.													<p>O'BRIEN & GERE ENGINEERS, INC. Syracuse, New York</p>	<p>CLAY SANITARY DISTRICT OAK ORCHARD SERVICE AREA OAK ORCHARD WATER POLLUTION CONTROL PLANT</p>	<p>RECORD DRAWING Z-DRAWINGS Z-62, Z-63 & Z-64R</p>	FILE NO. 115.219-426RD DATE AUGUST, 1980	RD-39
NO.	DATE	REVISION	INIT.																				

Bill [unclear]



Provide New 3/4" PVC coated RGS Conduit with 3#12 to new WPGFI receptacle. Use LP 5-19.



ONE LINE DIAGRAM (TYP.)

Equipment Mounting Rack

Equipment rack shall be constructed of a minimum of 16-gauge steel with reinforcement as required to carry the weight of equipment mounted within. It shall be 81" high, 18 1/2" deep and 24" wide. The rack shall have a hinged and key locked front door and swing out racks.

Announce Interface

Announce Interface shall provide necessary circuitry and switching required to permit the interconnection of New York Telephone Company 600 OHM external telephone lines to provide three zones of paging and all call.

Zone Announce

Zone Announce chassis shall provide sensing, control and switching logic required for the acceptance of pre-established dual-tone dial code data and the subsequent distribution of announcements to any one of three zones or all three zones together. Each zone shall consist of up to 24 speakers.

Zone Patch

Zone Patch panel with expander module shall be provided to provide means for connecting up to 50 speakers to the three zones, all call or off. Connectors shall be pin type and shall allow rearrangement of individual speakers to any of the zones. Panel shall have a key locking front cover. Unit shall be provided with a cross reference chart to indicate wiring positions.

Power Amplifiers

Rated Output: 250 watts RMS (275 watts using EIA Rating Standard). Peak Output: 500 watts. Gain: 84 db. Frequency Response: ± 1 db, 20 to 20,000 cycles. Distortion: Less than 5% at 250 watts, 40 to 5,000 cycles. Less than 2% at 200 watts 40 to 5,000 cycles. Noise Level: 80 db below rated output. Regulation: Less than 2 db, no load to full load, Input Impedance: 50,000 ohms.

Wide Angle Paging Speakers (W.A.)

Weatherproof double re-entrant trumpets shall be furnished and installed where indicated on the Plans. Each unit shall have a power rating of 30 watts full range at 250-14,000 Hz. The trumpet shall be mounted on adjustable mounting brackets and be screwdriver adjustable for wattage selection. The sound pressure shall be 123 db at 4' with 30 watts input and with a dispersion 120 degrees Horiz. x 60 degrees Vert. Units shall have wattage and voltage taps.

Bidirectional Paging Speaker (B.D.)

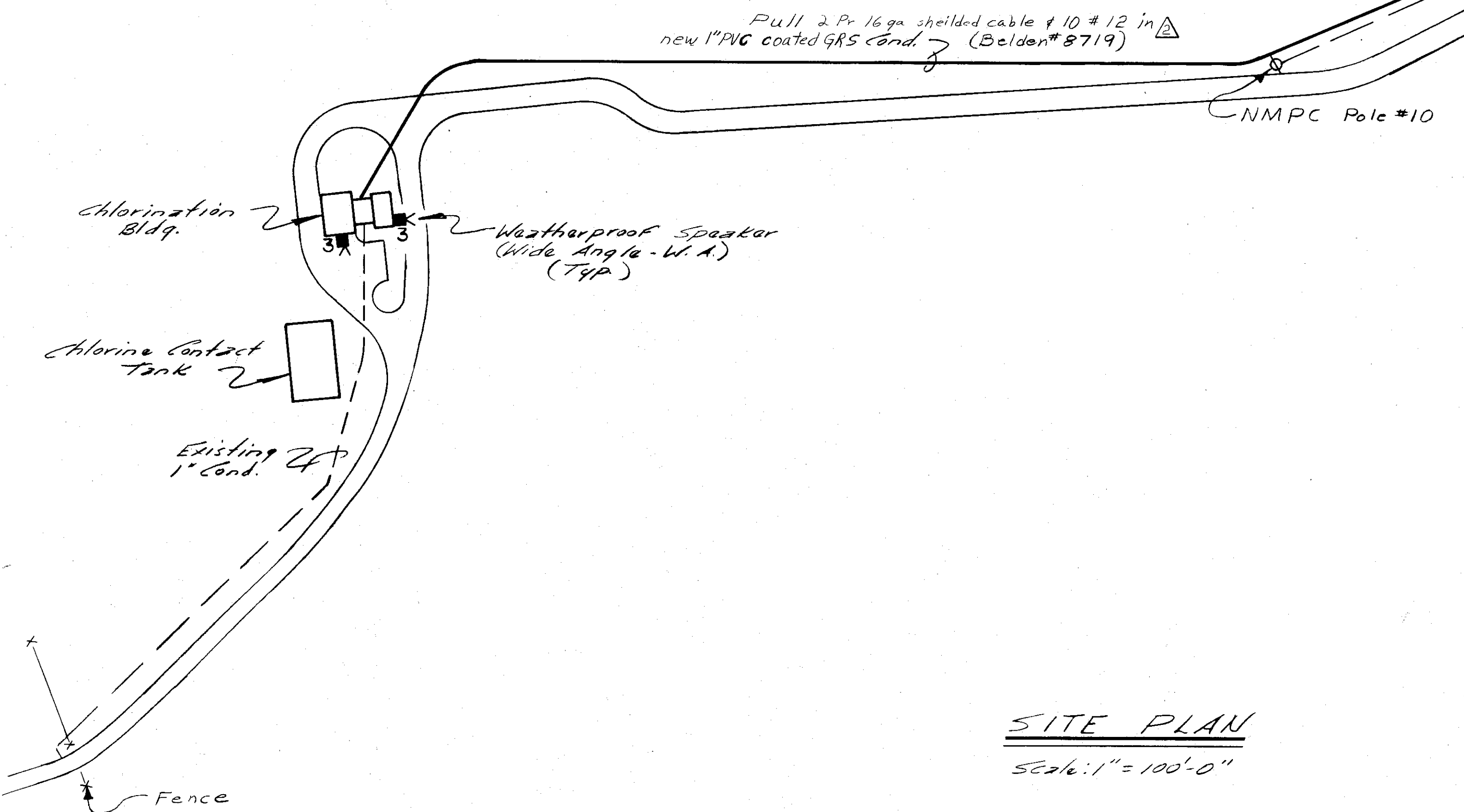
Weatherproof two way bidirectional trumpets shall be furnished and installed as indicated on the Plans. The units shall be similar to the above except dispersion shall be 100 degrees each way for each horn.

Monitor Panel

Monitor Panel shall be provided with speaker, volume control, zone selector switch (including off position) and VU meter.

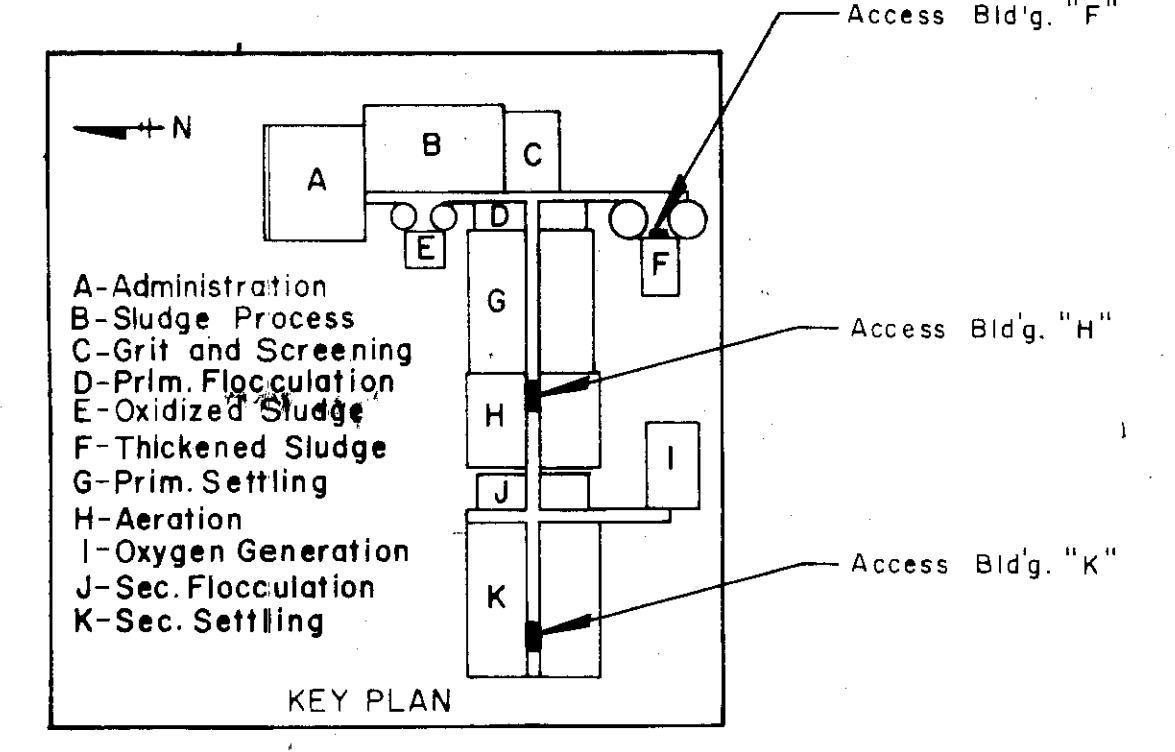
Speaker Cable

Wire size shall be 22 AWG stranded tinned copper unless shown otherwise on the plans or required to keep line losses to a minimum. Wire shall be polyethylene insulated, twisted pair with aluminum-polyester shield, 22 AWG stranded tinned copper drain wire and chrome vinyl jacket. Uniform Product Code #96214, Belden 8761, Penn Wire or equal. Where 16 gauge is shown on the drawings or required, Uniform Product Code #96369, Belden 8719, Penn Wire or equal shall be used.



Pull 2 Pr 16 ga shielded cable & 10 #12 in new 1" PVC coated RGS cond. (Belden # 8719)

SITE PLAN
Scale: 1" = 100'-0"



- LEGEND**
- WA - Wide Angle Speaker w/Zone No.
 - BD - Bi Directional Speaker w/Zone No.
 - Existing Conduit Per Original Contract
 - New Conduit per this Modification

Input Pre-amplifier

Pre-amplifier shall be provided to boost signals from four New York Telephone intercom lines and output +6 dbm into 10,000 ohms load. Each input shall be equipped with an overload protective circuit. Input channel isolation of 70 db or better shall be provided. Unit shall include a power on-off switch and LED pilot light.

Backup Power Amplifier

A second power amplifier identical to the first 250 watt unit described above shall be provided. In the event of a failure of the main amplifier the voice paging system shall automatically switch to the backup amplifier.

Power Supplies

24 V DC power supplies shall be provided for controlling relays, pre-amplifiers and other equipment requiring DC power. Units shall be adequately sized for the loads they will serve. Each unit shall be powered at 120 Volts, 60 cycle with a ripple of less than 7-1/2% at full load.

Bell idler

Mod # 8, C-9B

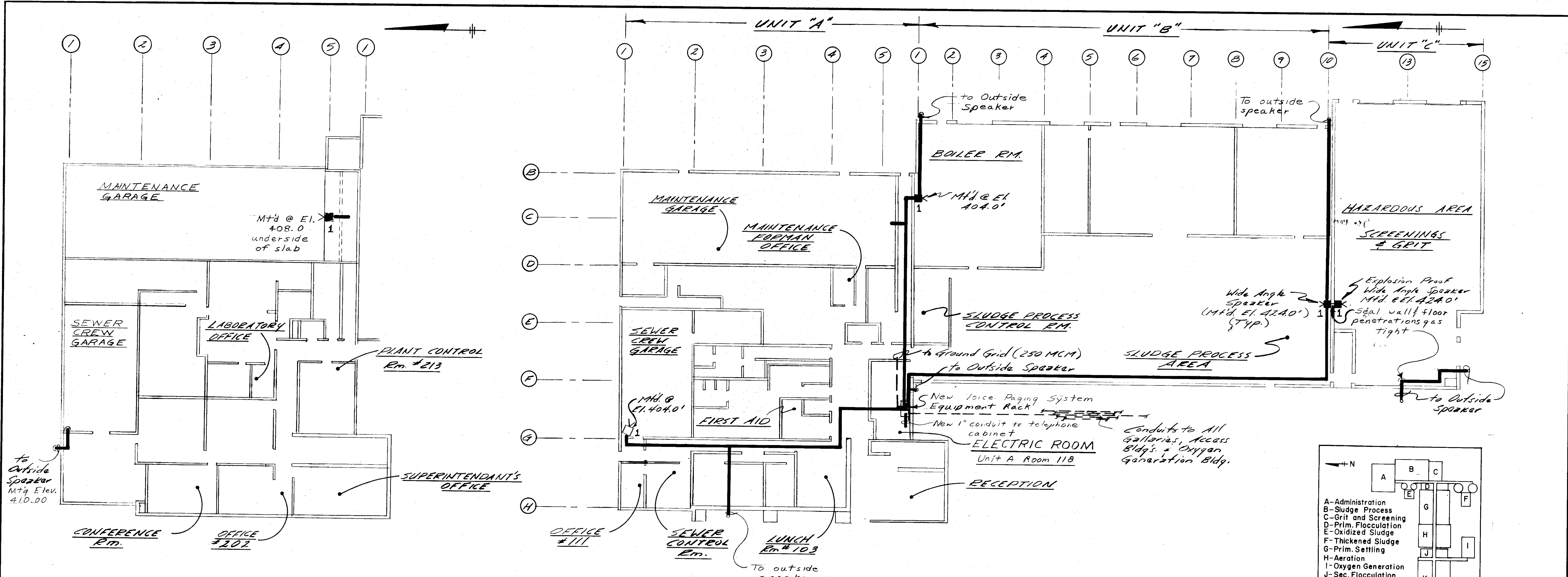
NO.	DATE	REVISION	INIT.
1	4/7/80	Relocated Pull Box & Add'd Specs.	JJK
2	7/23/80	Added 1" PVC coated conduit	RLL

O'BRIEN & GERE ENGINEERS, INC.
Syracuse, New York

CLAY SANITARY DISTRICT
OAK ORCHARD SERVICE AREA
OAK ORCHARD WATER POLLUTION CONTROL PLANT

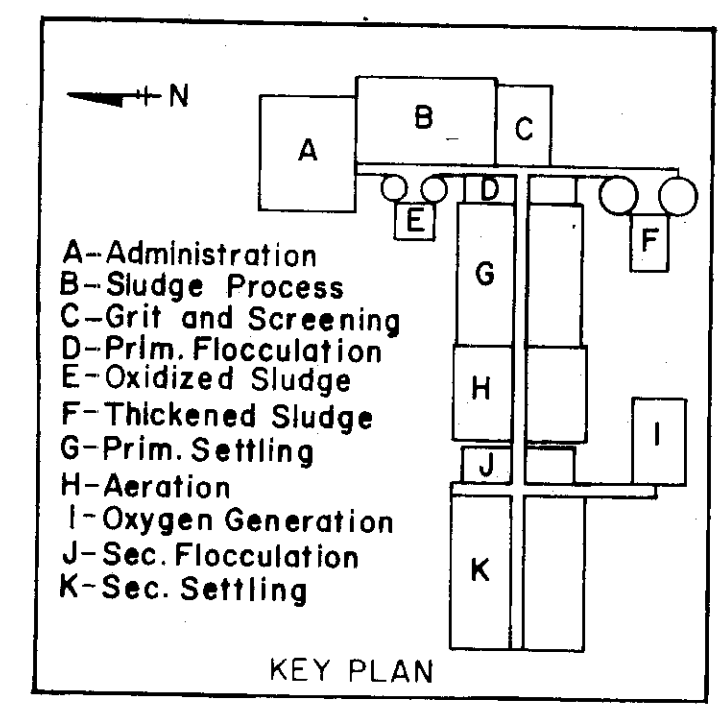
ELECTRICAL
Z-66
SITE PLAN & DETAILS
VOICE PAGING SYSTEM

FILE NO. 115.219-427RD
DATE OCTOBER, 1980
RD-40



UNIT "A" - SECOND FLOOR
Scale: 1/16" = 1'-0"

UNITS "A, B & C" - FIRST FLOOR
Scale: 1/16" = 1'-0"

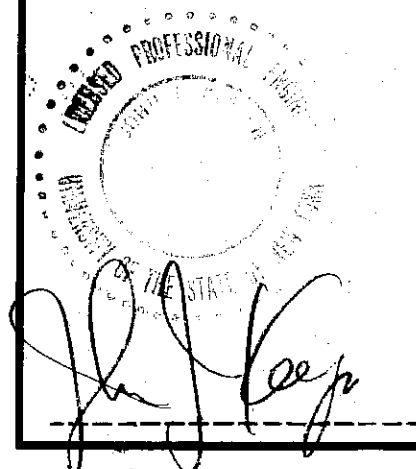


LEGEND

- WA - Wide Angle Speaker W/ Zone No.
- BD - Bi Directional Speaker W/ Zone No.
- Existing Conduit Per Original Contract
- New 1/2" Conduit Per This Modification unless otherwise shown.

- Notes:**
- 1) New 1/2" conduit to be PVC coated rigid steel except EMT may be used within Unit "A"
 - 2) Where possible exterior wall penetrations shall be through fixed louver openings or brick walls rather than precast concrete
 - 3) Mounting heights to be 10' above finished grade unless otherwise noted on drawing

300 Jellard



In charge of <i>William A. Jellard</i>	16 8 0 16 32	NO.	DATE	REVISION	INIT.
Designed by <i>JEL</i> Checked by <i>JEL</i>	16'-1'0"				
Made by <i>JEL</i>					

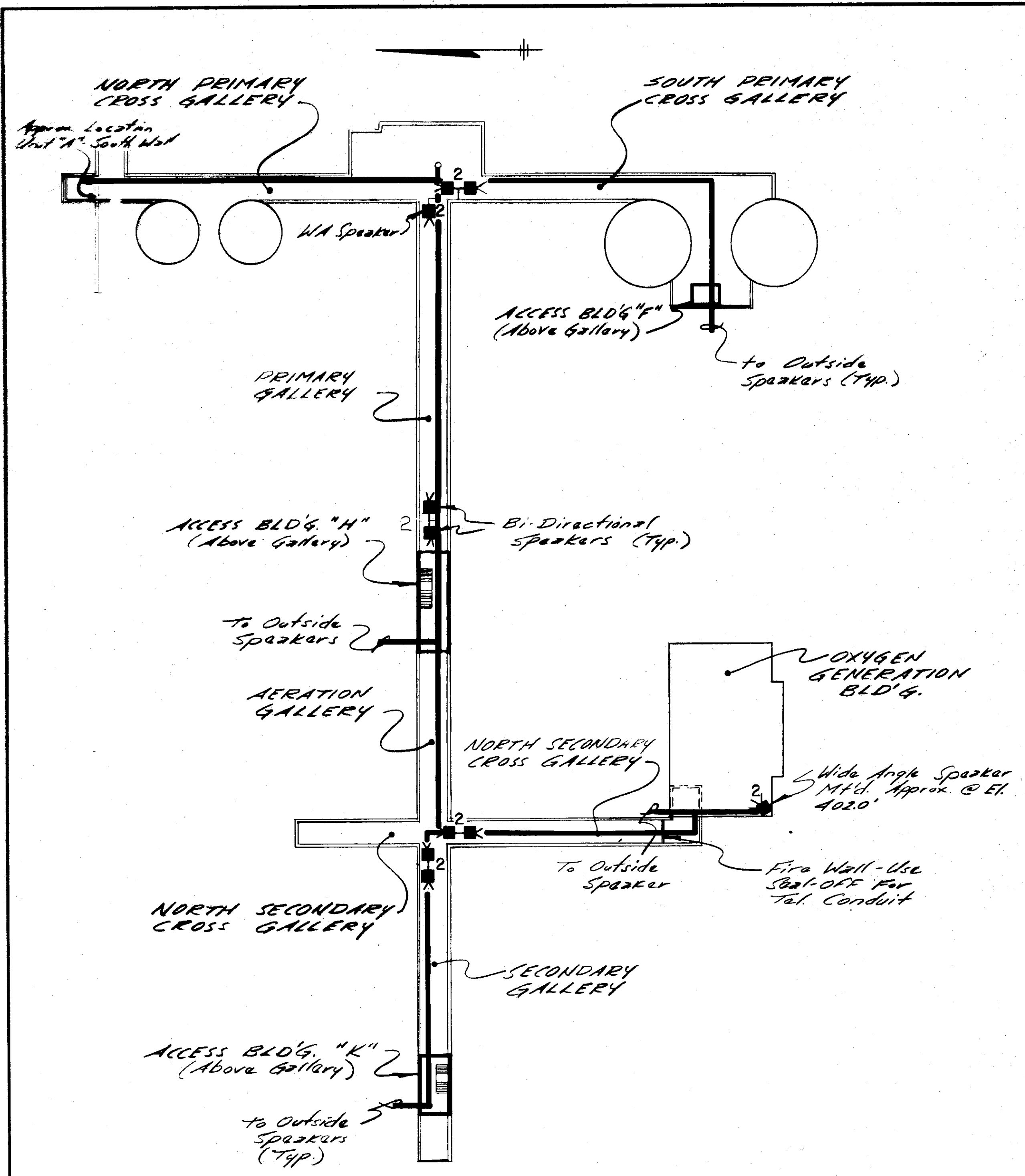
O'BRIEN & GERE
ENGINEERS, INC.
Syracuse, New York

CLAY SANITARY DISTRICT
OAK ORCHARD SERVICE AREA
OAK ORCHARD WATER POLLUTION CONTROL PLANT

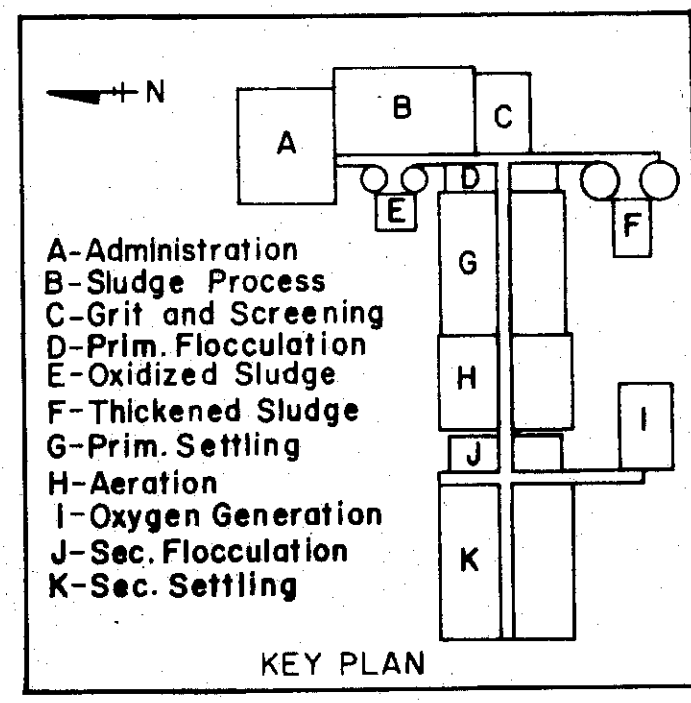
Mod. # 8, C-98
ELECTRICAL Z-67
INTERIOR DETAILS
VOICE PAGING SYSTEM

FILE NO.
115.219-428RD
DATE
OCTOBER, 1980

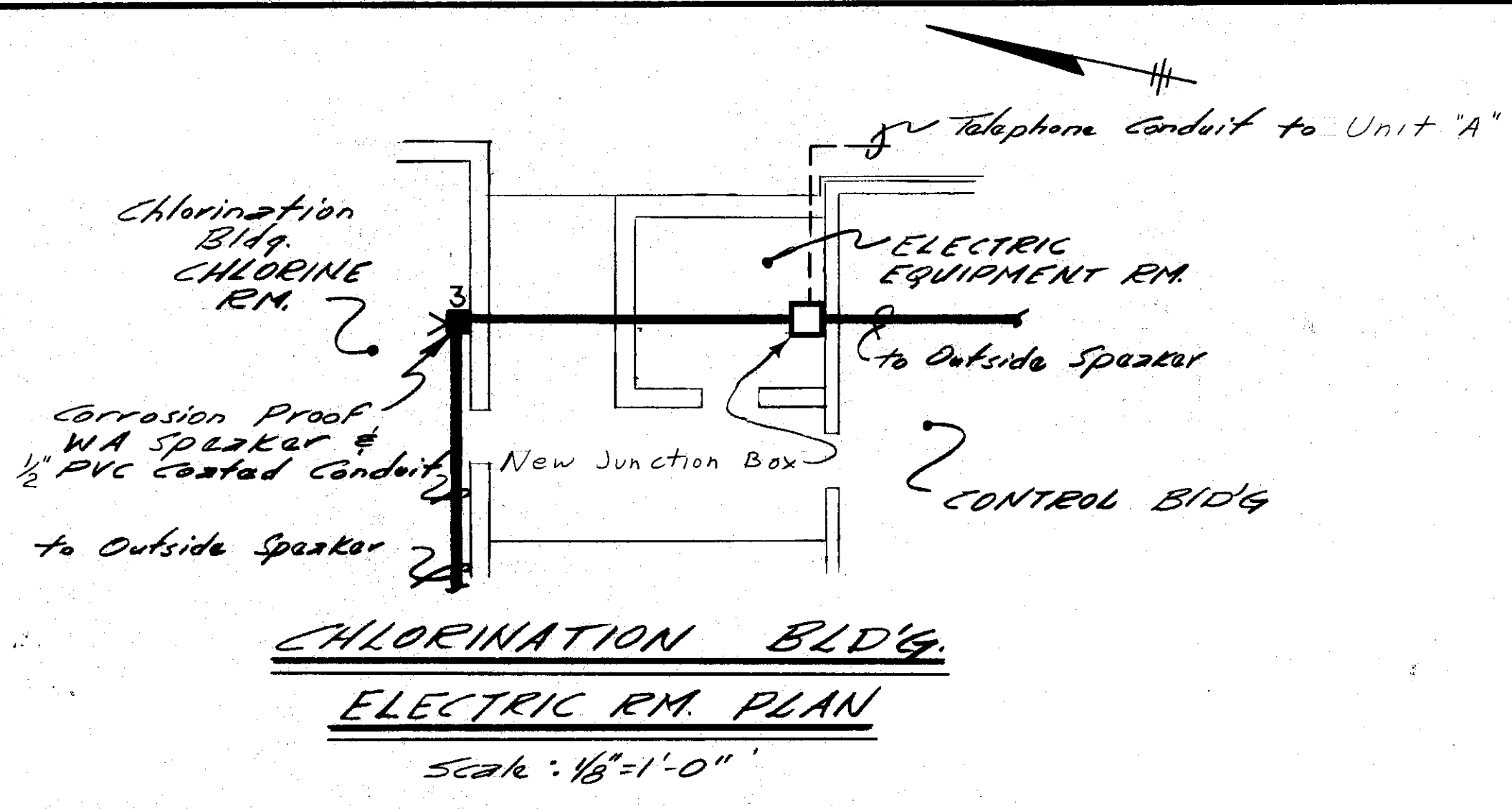
RD-41



GALLERY PLAN
WITH ACCESS & OXYGEN BUILDINGS
 Scale: 1" = 40'-0"



NOTE: THIS EQUIPMENT NOT INSTALLED.



CHLORINATION BLDG.
ELECTRIC RM. PLAN
 Scale: 1/8" = 1'-0"

LEGEND

- WA - Wide Angle Speaker w/Zone No.
- BD - Bi Directional Speaker w/Zone No.
- Existing Conduit Per Original Contract
- New Conduit For This Modification to be 1/2" unless otherwise shown

SPEAKER SCHEDULE

Building	Zone	Location	Phone of Speaker	Type Mounting	Remarks	Building	Zone	Location	Phone of Speaker	Type Mounting	Remarks
						ACCESS BLDG 'F'					
	2	North-East corner	WA	Wall	Exterior Mt'g.						
	2	North-West corner	WA	Wall	Exterior Mt'g.						
	2	South-East corner	WA	Wall	Exterior Mt'g.						
	2	South-West corner	WA	Wall	Exterior Mt'g.						
						ACCESS BLDG 'H'					
UNIT "A"											
	1	Sewer Crew Garage	WA	Wall	Interior Mt'g.		2	North-East corner	WA	Wall	Exterior Mt'g.
	1	Maintenance Garage	WA	Wall	Interior Mt'g.		2	North-West corner	WA	Wall	Exterior Mt'g.
	1	North Wall (Louver)	WA	Wall	Exterior Mt'g.		2	South-East corner	WA	Wall	Exterior Mt'g.
	1	West Wall	WA	Wall	Exterior Mt'g.		2	South-West corner	WA	Wall	Exterior Mt'g.
	1	South Wall	WA	Wall	Exterior Mt'g.						
						ACCESS BLDG 'K'					
							2	North-East corner	WA	Wall	Exterior Mt'g.
							2	North-West corner	WA	Wall	Exterior Mt'g.
							2	South-East corner	WA	Wall	Exterior Mt'g.
						CHLORINE BLDG					
							3	South Wall	WA	Wall	Interior Mt'g. Corrosive Area
							3	West Wall	WA	Wall	Exterior Mt'g.
							3	South-West corner	WA	Wall	Exterior Mt'g.
						UNIT "B"					
	1	Boiler Room	WA	Wall	Interior Mt'g.						
	1	Sludge Process Area	WA	Wall	Interior Mt'g.						
	1	East Wall N	WA	Wall	Exterior Mt'g.	DEL CROSS GAL	2	West Wall	BD	Ceiling	Interior Mt'g.
	1	East Wall S	WA	Wall	Exterior Mt'g.	PRIMARY GAL	2	North Wall	WA	Ceiling	Interior Mt'g.
						UNIT "C"					
	1	North Wall-Interior Mt'g.	WA	Wall	Explosion Proof	PRIMARY GAL	2	North Wall	BD	Ceiling	Interior Mt'g.
	2	South Wall	WA	Wall	Exterior Mt'g.	SEC CROSS GAL	2	West Wall	BD	Ceiling	Interior Mt'g.
	2	West Wall	WA	Wall	Exterior Mt'g.	SECONDARY GAL	2	North Wall	BD	Ceiling	Interior Mt'g.
						OXYGEN BLDG					
	2	South-West corner	WA	Wall	Interior Mt'g.						
	2	North-West corner	WA	Wall	Exterior Mt'g.						

DOOR SCHEDULE

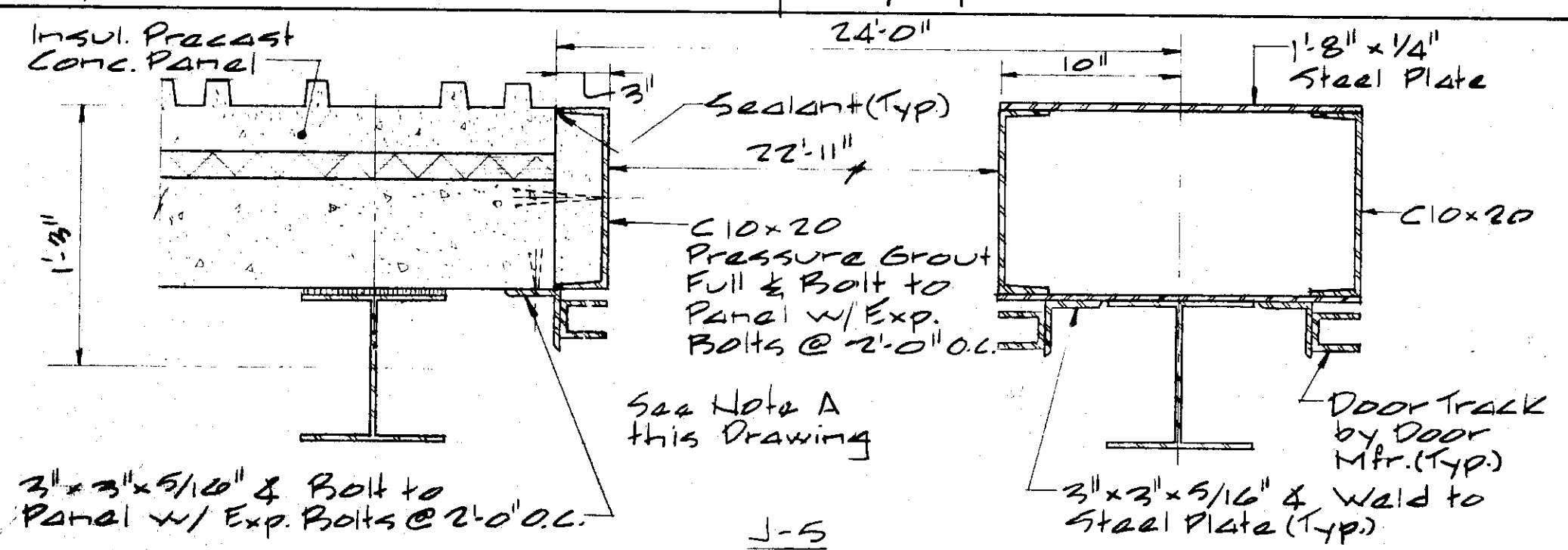
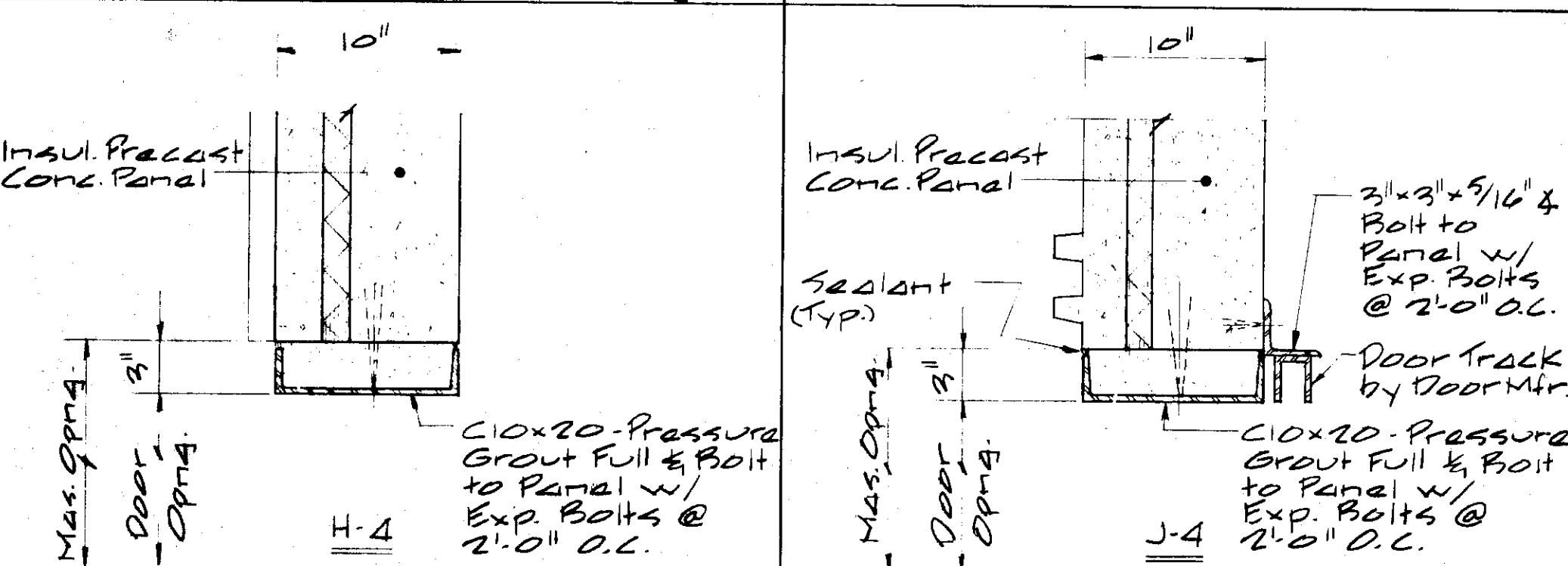
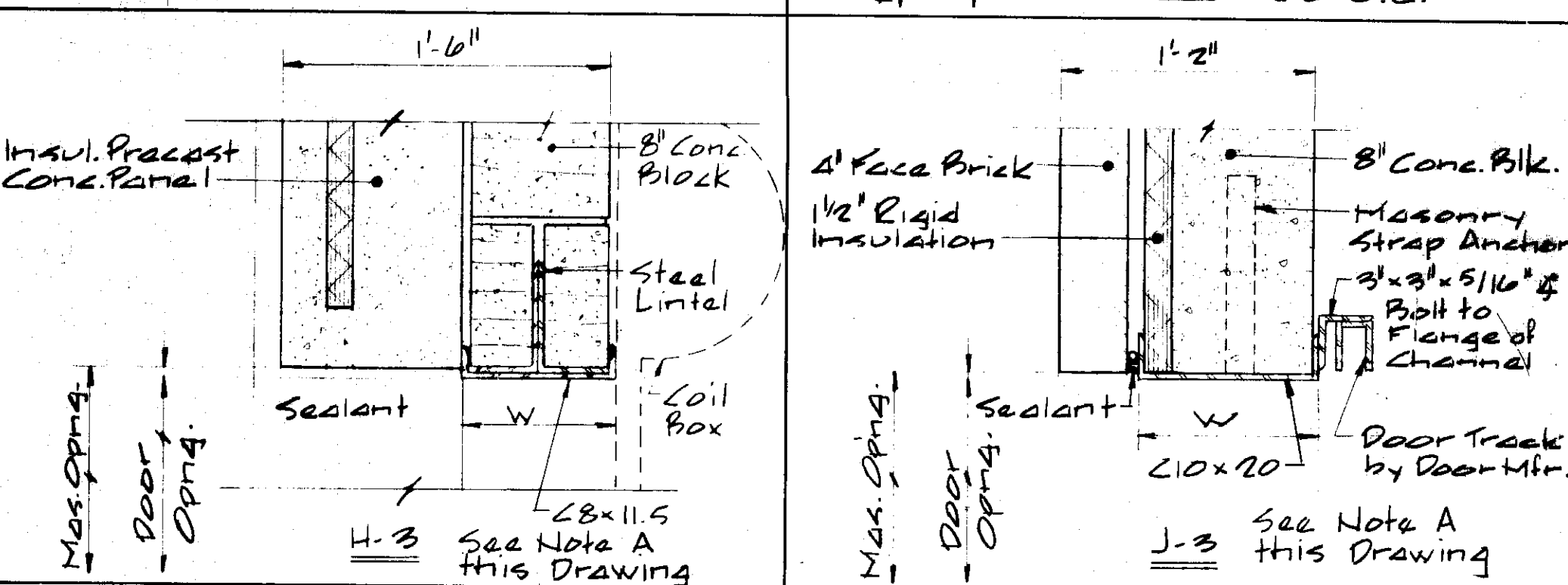
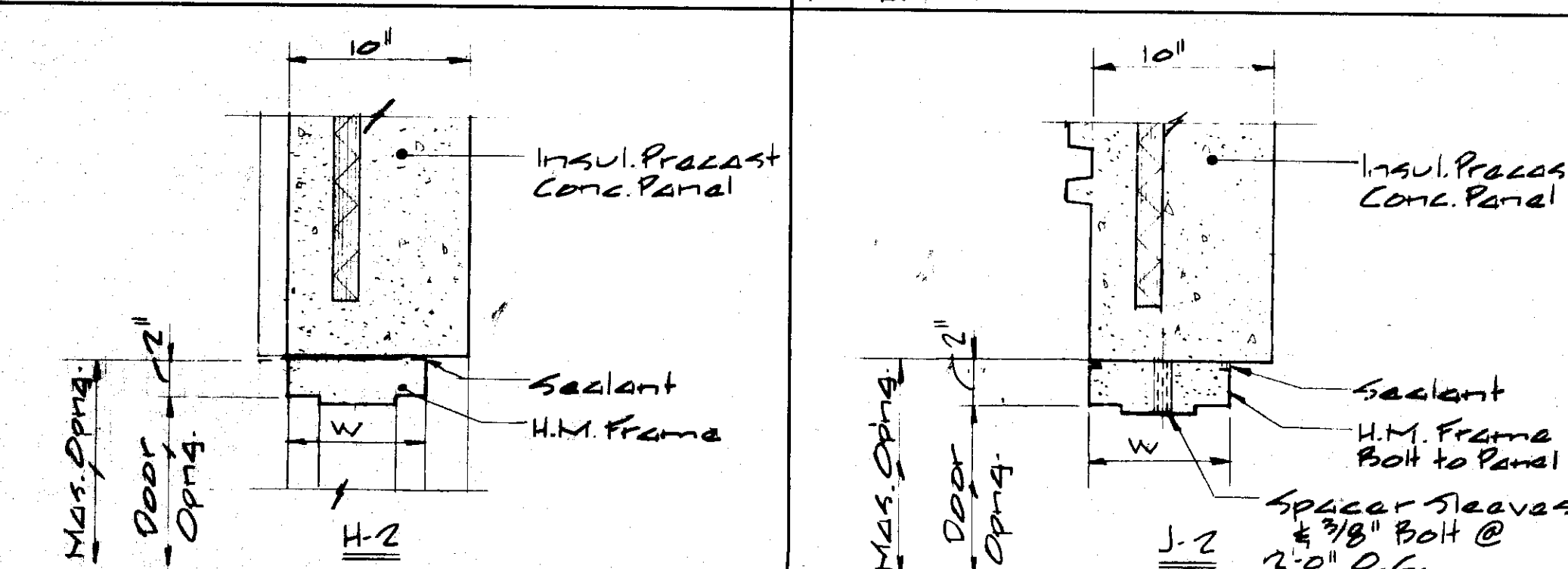
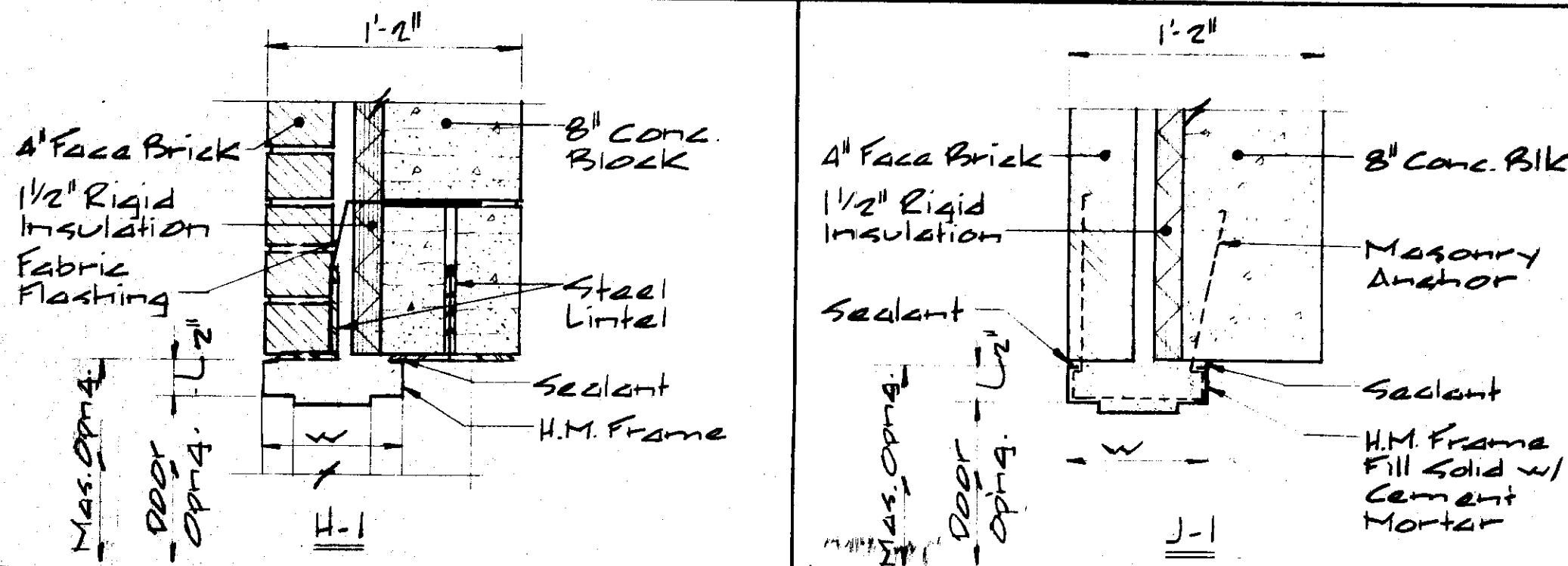
* Tnamea Color Nos.

NO.	LOCATION		SIZE			DOOR			FRAME			Finish (Paint Type)	Color *	THRESHOLD		Weather Strip	Lamb Ext. Below Fin. Fl.	REMARKS	NO.		
	From (Keyside)	To:	Width	Height	Thick.	Type	Mat.	Leaves	Mat.	Width	Head			Jamb	Mat.					Type	
UNIT 'A' FIRST & 2ND FLOOR																					
E1	Exterior	Vestibule	3'-0"	7'-0"	1-3/4"	B	H.M.	---	H.M.	8-3/4"	H-2	J-2	K	2024	Alum.	T-1	✓	---	Details - Dwg. A-20	E1	
E2	Exterior	Sewer Crew Garage	18'-11"	14'-0"	---	D	Steel	---	Steel	10"	H-4	J-4	J	2024	Steel	T-7	✓	---	---	E2	
E3	Exterior	Sewer Crew Garage	18'-11"	14'-0"	---	D	Steel	---	Steel	10"	H-4	J-4	J	2024	Steel	T-7	✓	---	---	E3	
E4	Exterior	Corridor	3'-0"	7'-0"	1-3/4"	B	H.M.	---	H.M.	8-3/4"	H-2	J-2	K	2024	Alum.	T-1	✓	---	---	E4	
E5	Exterior	Large Parts Storage	3'-0"	7'-0"	1-3/4"	B	H.M.	---	H.M.	8-3/4"	H-2	J-2	K	2024	Alum.	T-1	✓	---	---	E5	
E6	Exterior	Maintenance Garage	22'-11"	14'-0"	---	D	Steel	---	Steel	10"	H-4	J-4	J	2024	Steel	T-7	✓	---	---	E6	
E7	Exterior	Maintenance Garage	22'-11"	14'-0"	---	D	Steel	---	Steel	10"	H-4	J-4	J	2024	Steel	T-7	✓	---	---	E7	
E8	Exterior	Shop	3'-0"	7'-0"	1-3/4"	B	H.M.	---	H.M.	8-3/4"	H-2	J-2	K	2024	Alum.	T-1	✓	---	---	E8	
E9	Exterior	Vestibule	3'-0"	7'-0"	1-3/4"	E	Alum. Gl.	---	Alum.	4"	---	---	---	---	Alum.	T-3	✓	---	---	E9	
E10	Exterior	Vestibule	2'-3'-0"	7'-0"	1-3/4"	E	Alum. Gl.	---	Alum.	---	---	---	---	---	Alum.	T-3	✓	---	Details - Dwg. A-20	E10	
101	Vestibule	Reception	2'-3'-0"	7'-0"	1-3/4"	E	Alum. Gl.	---	Alum.	---	---	---	---	---	Alum.	T-3	✓	---	Details - Dwg. A-20	101	
102	Corridor	Lunch Room	2'-8"	7'-0"	1-3/4"	A	H.M.	12'-24"	H.M.	8-3/4"	H-5	J-6	K	2024	Alum.	T-6	2"	---	---	102	
103	Corridor	Women	3'-0"	7'-0"	1-3/4"	C	H.M.	12'-24"	H.M.	8-3/4"	H-5	J-6	K	2045	---	T-5	2"	---	---	103	
104	Corridor	Men	3'-0"	7'-0"	1-3/4"	C	H.M.	12'-24"	H.M.	8-3/4"	H-5	J-6	K	2045	---	T-5	2"	---	---	104	
105	Corridor	Sewer Crew Control Room	3'-0"	7'-0"	1-3/4"	F	H.M.	---	H.M.	8-3/4"	H-6	J-7	K	2024	---	T-4	---	---	---	105	
106	Sewer Crew Control Rm.	Office	3'-0"	7'-0"	1-3/4"	A	H.M.	---	H.M.	8-3/4"	H-6	J-7	K	2024	---	T-4	---	---	---	106	
107	Corridor	Vestibule	3'-0"	7'-0"	1-3/4"	F	H.M.	---	H.M.	8-3/4"	H-6	J-7	K	2024	---	T-4	---	---	---	107	
108	Vestibule	Sewer Crew Garage	3'-0"	7'-0"	1-3/4"	F	H.M.	---	H.M.	8-3/4"	H-6	J-7	K	2024	---	T-4	---	---	---	108	
109	Corridor	First Aid Room	3'-0"	7'-0"	1-3/4"	F	H.M.	---	H.M.	8-3/4"	H-5	J-6	K	2024	Alum.	T-2	---	---	---	109	
110	Corridor	Janitor	3'-0"	7'-0"	1-3/4"	C	H.M.	12'-24"	H.M.	8-3/4"	H-5	J-6	K	2024	---	T-5	2"	---	---	110	
111	Corridor	Corridor	3'-0"	7'-0"	1-3/4"	C	H.M.	12'-24"	H.M.	8-3/4"	H-5	J-6	K	2045	---	T-5	2"	---	---	111	
112	Corridor	Man	3'-0"	7'-0"	1-3/4"	C	H.M.	12'-24"	H.M.	8-3/4"	H-5	J-6	K	2045	---	T-5	2"	---	---	112	
113	Corridor	Corridor	3'-0"	7'-0"	1-3/4"	C	H.M.	12'-24"	H.M.	8-3/4"	H-5	J-6	K	2045	---	T-5	2"	---	---	113	
114	Corridor	Women	3'-0"	7'-0"	1-3/4"	C	H.M.	12'-24"	H.M.	8-3/4"	H-5	J-6	K	2045	---	T-5	2"	---	---	114	
115	Corridor	Small Parts Storage	3'-0"	7'-0"	1-3/4"	A	H.M.	---	H.M.	8-3/4"	H-5	J-6	K	2024	---	T-4	2"	---	---	115	
116	Sewer Crew Garage	Sewer Parts Storage	3'-0"	7'-0"	1-3/4"	A	H.M.	---	H.M.	8-3/4"	H-6	J-7	K	2024	---	T-4	2"	---	---	116	
117	Large Parts Storage	Paint Storage	2'-3'-0"	7'-0"	1-3/4"	A	H.M.	---	H.M.	8-3/4"	H-6	J-7	K	2024	---	T-4	2"	---	---	117	
118	Small Parts Storage	Corridor	3'-0"	7'-0"	1-3/4"	A	H.M.	---	H.M.	8-3/4"	H-6	J-7	K	2024	---	T-4	2"	---	---	118	
119	Vestibule	Corridor	3'-0"	7'-0"	1-3/4"	E	Alum. Gl.	---	Alum.	4"	H-6	J-7	---	---	---	---	---	---	---	119	
120	Shop	Corridor	2'-8"	7'-0"	1-3/4"	F	H.M.	---	H.M.	8-3/4"	H-6	J-7	K	2024	Alum.	T-2	---	---	---	120	
121	Corridor	Corridor	2'-8"	7'-0"	1-3/4"	F	H.M.	---	H.M.	8-3/4"	H-5	J-6	K	2024	---	T-4	2"	---	---	121	
122	Corridor	Foreman's Office	3'-0"	7'-0"	1-3/4"	F	H.M.	---	H.M.	8-3/4"	H-5	J-6	K	2024	---	T-4	2"	---	---	122	
123	Corridor	Corridor	3'-0"	7'-0"	1-3/4"	F	H.M.	---	H.M.	8-3/4"	H-5	J-6	K	2024	---	T-4	2"	---	---	123	
124	Corridor	Vestibule	3'-0"	7'-0"	1-3/4"	F	H.M.	---	H.M.	8-3/4"	H-5	J-6	K	2027	---	T-4	2"	---	---	124	
125	Elect. Equip. Room	Vestibule	2'-2'-0"	8'-0"	1-3/4"	A	H.M.	---	H.M.	8-3/4"	H-6	J-7	K	2024	---	T-4	2"	---	---	125	
126	Small Parts Storage	Corridor	5'-0"	---	---	---	---	---	---	---	---	---	---	---	---	---	---	---	---	126	
127	Elevator	Corridor	---	---	---	---	---	---	---	---	---	---	---	---	---	---	---	---	Alum. Coil Floor Dets. Dwg. A-32	127	
By Elevator Manufacturer												K	2049	---	---	---	---	---	---	---	---
201	Vestibule	Compressor Room	3'-0"	7'-0"	1-3/4"	A	H.M.	---	H.M.	8-3/4"	H-6	J-7	K	2024	---	T-4	2"	---	---	128	
202	Corridor	Plant Supt. Office	3'-0"	7'-0"	1-3/4"	A	H.M.	---	H.M.	8-3/4"	H-6	J-7	K	2024	---	T-4	2"	---	---	129	
203	Corridor	Conference Room	3'-0"	7'-0"	1-3/4"	A	H.M.	---	H.M.	8-3/4"	H-6	J-7	K	2024	---	T-4	2"	---	---	130	
204	Corridor	Records Storage Room	3'-0"	7'-0"	1-3/4"	A	H.M.	---	H.M.	8-3/4"	H-7	J-8	K	2024	---	T-4	2"	---	---	131	
205	Equipment Room	Upper Garage	2'-3'-0"	7'-0"	1-3/4"	A	H.M.	---	H.M.	8-3/4"	H-6	J-7	K	2024	---	T-4	2"	---	---	132	
206	Equipment Room	Records Storage	3'-0"	7'-0"	1-3/4"	A	H.M.	---	H.M.	8-3/4"	H-6	J-7	K	2024	---	T-4	2"	---	---	133	
207	Corridor	Lounge	3'-0"	7'-0"	1-3/4"	C	H.M.	12'-24"	H.M.	6-1/2"	H-7	J-8	K	2045	---	T-4	2"	---	---	134	
208	Corridor	Men	3'-0"	7'-0"	1-3/4"	C	H.M.	12'-24"	H.M.	6-1/2"	H-7	J-8	K	2045	---	T-4	2"	---	---	135	
209	Corridor	Janitor	3'-0"	7'-0"	1-3/4"	C	H.M.	12'-24"	H.M.	6-1/2"	H-7	J-8	K	2024	---	T-4	2"	---	---	136	
210	Laboratory	Office	2'-8"	7'-0"	1-3/4"	C	H.M.	12'-24"	H.M.	6-1/2"	H-7	J-8	K	2024	---	T-4	2"	---	---	137	
211	Laboratory	Storage	2'-8"	7'-0"	1-3/4"	C	H.M.	12'-24"	H.M.	6-1/2"	H-7	J-8	K	2024	---	T-4	2"	---	---	138	
212	Parts Storage	Stairway	3'-0"	7'-0"	1-3/4"	A	H.M.	---	H.M.	8-3/4"	H-7	J-8	K	2024	---	T-4	2"	---	---	139	
213	Laboratory	Stairway	3'-0"	7'-0"	1-3/4"	A	H.M.	---	H.M.	8-3/4"	H-7	J-8	K	2049	---	T-4	2"	---	---	140	
214	Parts Storage	Stairway	3'-0"	7'-0"	1-3/4"	A	H.M.	---	H.M.	8-3/4"	H-7	J-8	K	2024	---	T-4	2"	---	---	141	
215	Corridor	Laboratory	3'-0"	7'-0"	1-3/4"	F	H.M.	---	H.M.	8-3/4"	H-6	J-7	K	2024	---	T-4	2"	---	---	142	
216	Elevator	Corridor	---	---	---	---	---	---	---	---	---	---	---	---	---	---	---	---	---	143	
By Elevator Manufacturer												K	2049	---	---	---	---	---	---	---	---
217	Corridor	Stairway	3'-0"	7'-0"	1-3/4"	F	H.M.	---	H.M.	8-3/4"	H-6	J-7	K	2027	---	T-4	2"	---	---	144	
218	Corridor	Vestibule	3'-0"	7'-0"	1-3/4"	A	H.M.	---	H.M.	8-3/4"	H-6	J-7	K	2049	---	T-4	2"	---	---	145	
219	Plant Control Room	Vestibule	2'-3'-0"	7'-0"	1-3/4"	F	H.M.	---	H.M.	8-3/4"	H-6	J-7	K	2049	Alum.	T-2	2"	---	---	146	
220	Corridor	Elevator Equip. Room	3'-0"	7'-0"	1-3/4"	A	H.M.	---	H.M.	8-3/4"	H-6	J-7	K	2024	---	T-4	2"	---	---	147	
221	Corridor	Elevator	---	---	---	---	---	---	---	---	---	---	---	---	---	---	---	---	---	148	
By Elevator Manufacturer												K	2049	---	---	---	---	---	---	---	---
222	Corridor	Stairway	3'-0"	7'-0"	1-3/4"	F	H.M.	---	H.M.	8-3/4"	H-6	J-7	K	2027	---	T-4	2"	---	---	149	
223	Corridor	Plant Control Room	3'-0"	7'-0"	1-3/4"	A	H.M.	---	H.M.	8-3/4"	*	*	K	2024	---	---	---	---	---	150	
231	Corridor	Plant Control Room	3'-0"	7'-0"	1-3/4"	A	H.M.	---	H.M.	8-3/4"	*	*	K	2024	---	---	---	---	---	151	
301	Stairway	Root	3'-0"	7'-0"	1-3/4"	A	H.M.	---	H.M.	8-3/4"	H-1	J-1	K	2024	Alum.	T-1	✓	---	* See Detail B Dwg. A-32	301	

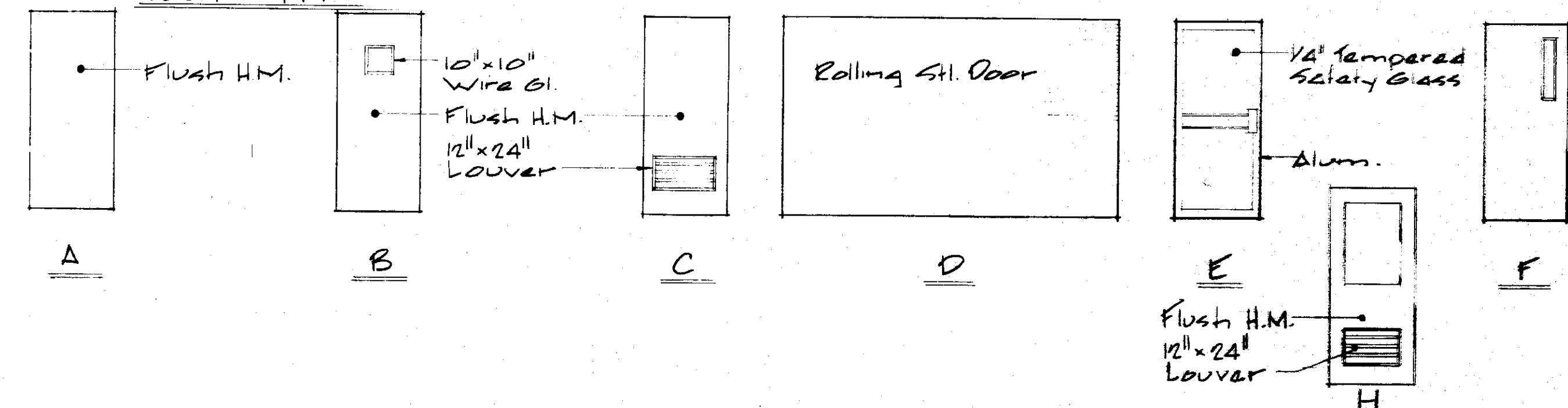
TYPICAL DOOR HEAD & JAMB DETAILS

Scale: 1/2" = 1'-0"

Note: A. Steel Channel Jamb & Pat. H-3 shall be Anchored at Floor and Carried up to Structural Steel Steel Frame above Opening and Connected to Steel Frame with Slotted Connection to Prevent Vertical Loading. Lintel members @ Pat. H-3 shall be welded to Jamb Members.



DOOR TYPES



In charge of W. W. Wick
 Designed by LOW Checked by AEN
 Made by RFB

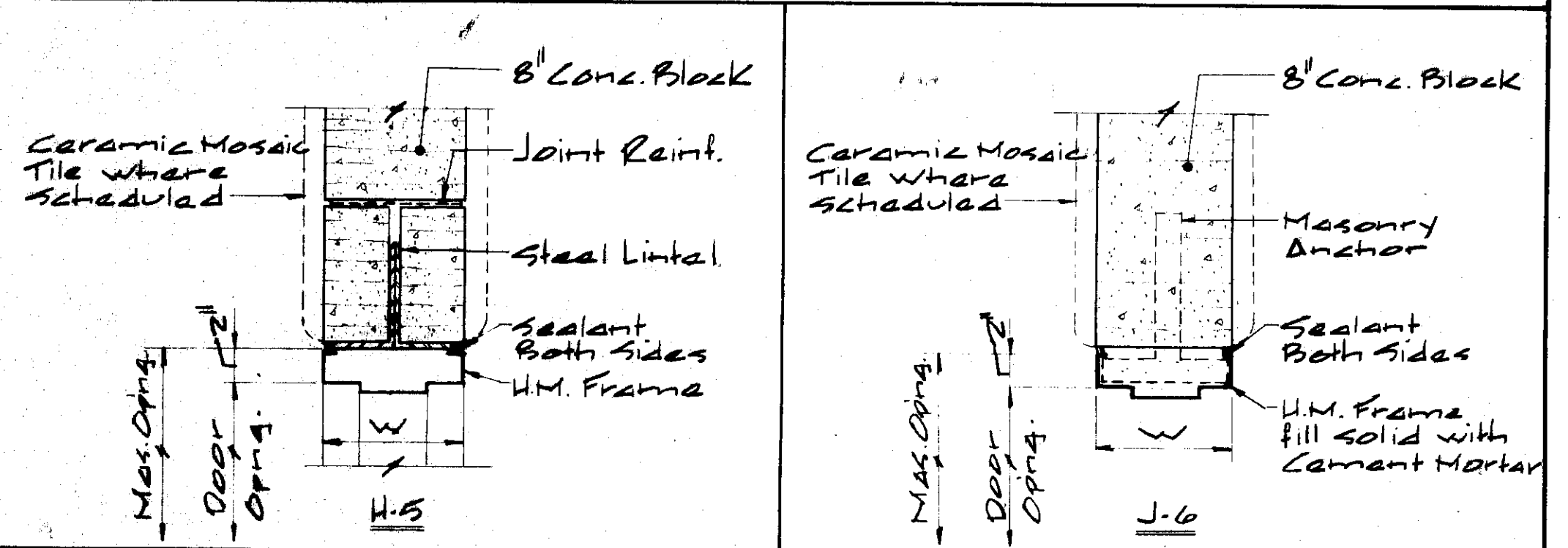
NO.	DATE	REVISION	BY
3	1/28/80	Colors Added	
2	2/14/78	General Revisions	

DOOR SCHEDULE

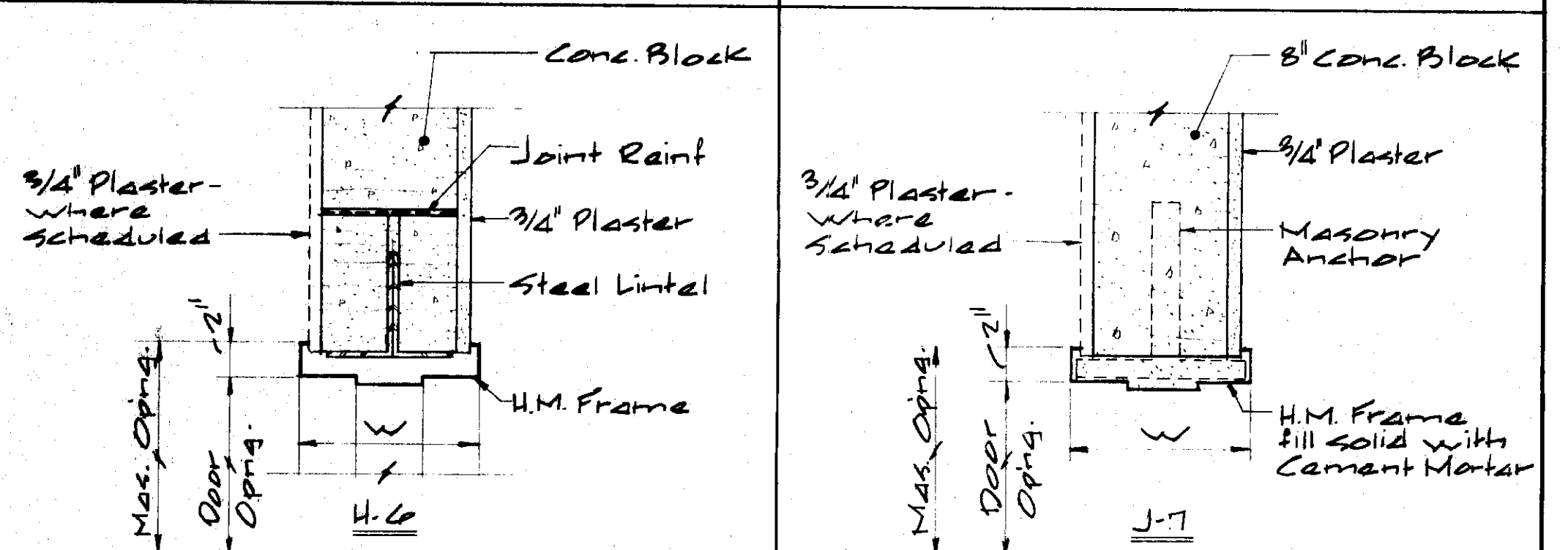
TYPICAL DOOR HEAD & JAMB DETAILS

Scale: 1/2" = 1'-0"

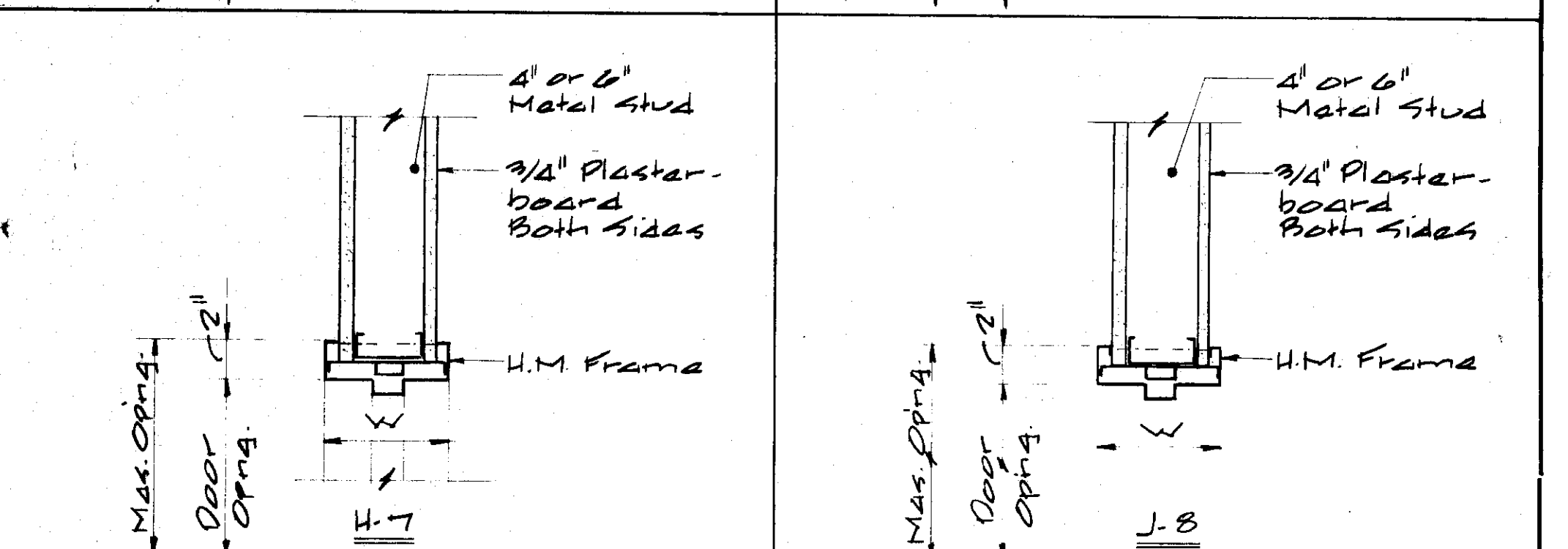
NO.	LOCATION		SIZE			DOOR			FRAME			Finish	Color	THRESHOLD		Weather Strip	Jamb Ext. Below Fin. Fl.	REMARKS	NO.	
	FROM (Keyside)	TO	Width	Height	Thick.	Type	Mat.	Louver	Mat.	Width	Head			Jamb	Mat.					Type
UNIT "B" FIRST & 2nd FLOOR																				
E11	Exterior	Boiler Room	3'-2"	14'-0"	1-3/4"	G	H.M.	---	H.M.	8-3/4"	H-9	J-1	K	2024	Alum.	T-1	✓	2"	Louver Above 7'-0" Door	E11
E12	Exterior	Boiler Room	12'-0"	14'-0"	---	D	Steel	---	Steel	8"	H-3	J-3	J	2024	Steel	T-7	✓	2"		E12
E13	Exterior	Garage	12'-0"	14'-0"	---	D	Steel	---	Steel	8"	H-3	J-3	J	2024	Steel	T-7	✓	2"		E13
E14	Exterior	Chemical Storage	3'-0"	14'-0"	1-3/4"	G	H.M.	---	H.M.	8-3/4"	H-9	J-1	K	2024	Alum.	T-1	✓	2"	Louver Above 7'-0" Door	E14
E15	Exterior	Chemical Storage	12'-0"	14'-0"	---	D	Steel	---	Steel	8"	H-3	J-3	J	2024	Steel	T-7	✓	2"		E15
E16	Exterior	Grit Removal Room	3'-0"	14'-0"	1-3/4"	G	H.M.	---	H.M.	8-3/4"	H-9	J-1	K	2024	Alum.	T-1	✓	2"	Louver Above 7'-0" Door	E16
E17	Exterior	Garage	12'-0"	14'-0"	---	D	Steel	---	Steel	8"	H-3	J-3	J	2024	Steel	T-7	✓	2"		E17
E18	Exterior	Garage	3'-0"	14'-0"	1-3/4"	G	H.M.	---	H.M.	8-3/4"	H-9	J-1	K	2024	Alum.	T-1	✓	2"	Louver Above 7'-0" Door	E18
E19	Exterior	Grit Removal Room	12'-0"	14'-0"	---	D	Steel	---	Steel	8"	H-3	J-3	J	2024	Steel	T-7	✓	2"	Explosion Proof Door	E19
E20	Exterior	Grit Removal Room	3'-0"	14'-0"	1-3/4"	G	H.M.	---	H.M.	8-3/4"	H-9	J-1	K	2024	Alum.	T-1	✓	2"	Louver Above 7'-0" Door	E20
E21	Exterior	Grit Removal Room	12'-0"	14'-0"	---	D	Steel	---	Steel	8"	H-3	J-3	J	2024	Steel	T-7	✓	2"	Explosion Proof Door	E21
E22	Exterior	Screenings	3'-0"	8'-0"	1-3/4"	B	H.M.	---	H.M.	8-3/4"	H-1	J-1	K	2024	Alum.	T-1	✓	4"		E22
E23	Exterior	Screenings	8'-0"	8'-0"	---	D	Steel	---	Steel	10"	*	J-3	J	2024	Steel	T-7	✓	4"	Similar to J-3 Explosion Proof Door	E23
E25	Exterior	Screenings	3'-0"	8'-0"	1-3/4"	B	H.M.	---	H.M.	8-3/4"	H-1	J-1	K	2024	Alum.	T-1	✓	4"		E25
E26	Exterior	Sludge Process Room	3'-0"	8'-0"	1-3/4"	B	H.M.	---	H.M.	8-3/4"	H-1	J-1	K	2024	Alum.	T-1	✓	4"		E26
E27	Exterior	Sludge Process Room	3'-0"	7'-0"	1-3/4"	B	H.M.	---	H.M.	8-3/4"	H-2	J-2	K	2024	Alum.	T-1	✓	---		E27
E28	Exterior	Vestibule	3'-0"	7'-0"	1-3/4"	B	H.M.	---	H.M.	8-3/4"	H-2	J-2	K	2024	Alum.	T-1	✓	---		E28
128	Vestibule	Sludge Process Room	2'-3'-0"	8'-0"	1-3/4"	F	H.M.	---	H.M.	8-3/4"	H-6	J-7	K	2024			✓	---	12" x 24" Louver	128
129	Sludge Process Control Bldg	Sludge Process Room	2'-3'-0"	8'-0"	1-3/4"	H	H.M.	---	H.M.	8-3/4"	H-6	J-7	K	2024			✓	---		129
130	Boiler Room	Sludge Process Room	3'-0"	7'-0"	1-3/4"	A	H.M.	---	H.M.	8-3/4"	H-6	J-7	K	2024			✓	---		130
131	Garage	Chemical Storage	3'-0"	7'-0"	1-3/4"	F	H.M.	---	H.M.	8-3/4"	H-6	J-7	K	2024			✓	---		131
132	Garage	Sludge Process Room	3'-0"	7'-0"	1-3/4"	F	H.M.	---	H.M.	8-3/4"	H-6	J-7	K	2024			✓	---		132
133	Man	Sludge Process Room	3'-0"	7'-0"	1-3/4"	C	H.M.	---	H.M.	8-3/4"	H-6	J-7	K	2045			✓	---		133
223	Vestibule	Mezzanine	2'-3'-0"	8'-0"	1-3/4"	F	H.M.	---	H.M.	8-3/4"	H-6	J-7	K	2024			✓	---		223
224	Odor Control Equip. Room	Stairway	3'-0"	8'-10"	1-3/4"	F	H.M.	---	H.M.	8-3/4"	H-1	J-1	K	2024	Alum.	T-1	✓	4"		224



UNIT I																				
E29	Exterior	Oxygen Gen. Bldg.	3'-0"	14'-0"	1-3/4"	G	H.M.	---	H.M.	8-3/4"	H-9	J-1	K	2024	Alum.	T-1	✓	---	Louver Above 7'-0" Door	E29
E30	Exterior	Oxygen Gen. Bldg.	3'-0"	14'-0"	1-3/4"	G	H.M.	---	H.M.	8"	H-9	J-1*	J	2024	Alum.	T-1	✓	---	Louver Above 7'-0" Door *	E30
E31	Exterior	Oxygen Gen. Bldg.	9'-9"	14'-0"	---	D	Steel	---	Steel	8"	5/A-B*	2/A-B*	J	2024	Steel	T-7	✓	---	See Details Dwg. A-8*	E31



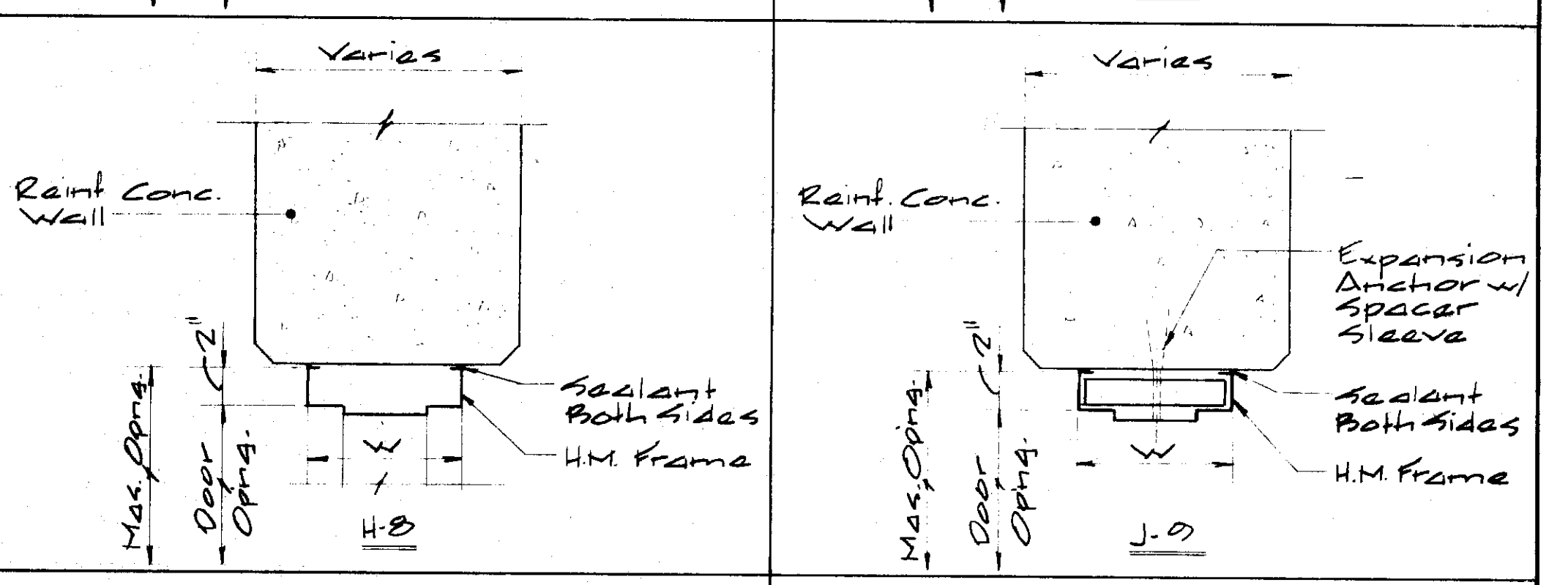
UNIT H																				
E32	Exterior	Access Building	2'-3'-0"	8'-0"	1-3/4"	B	H.M.	---	H.M.	8-3/4"	H-1	J-1	K	2024	Alum.	T-1	✓	---	Louver Slid Light Transom See Elev. Dwg. A-13	E32
E33	Exterior	Access Building	2'-3'-0"	8'-0"	1-3/4"	B	H.M.	---	H.M.	8-3/4"	H-1	J-1	K	2024	Alum.	T-1	✓	---	Louver Slid Light Transom See Elev. Dwg. A-13	E33



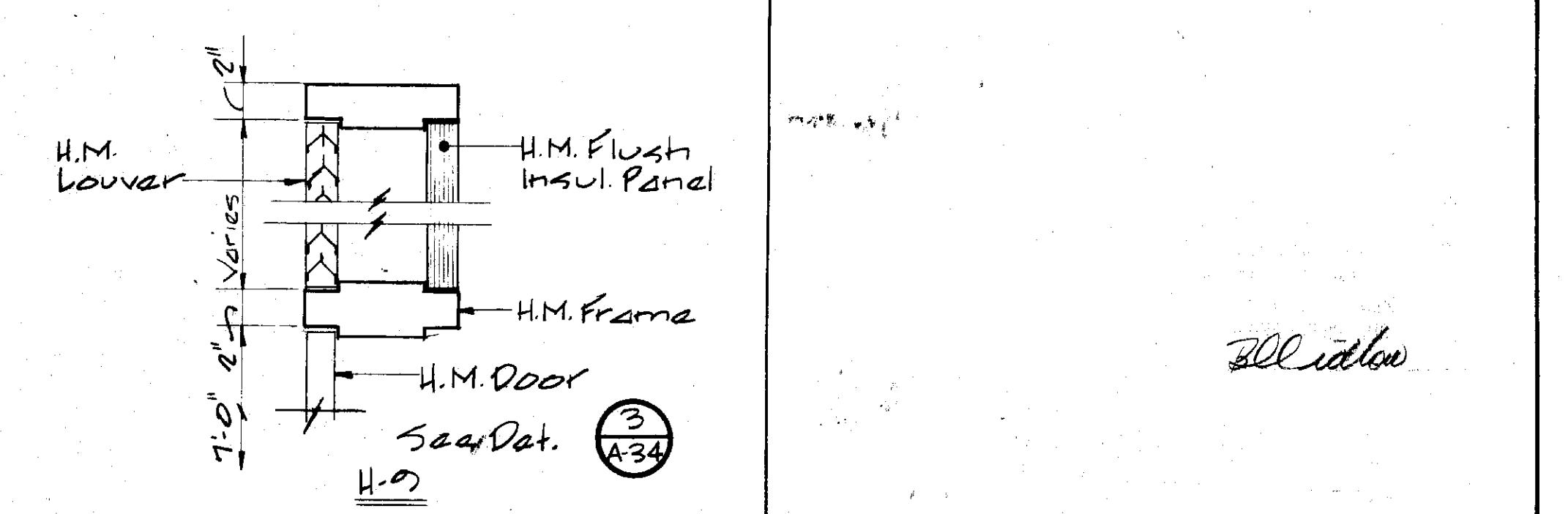
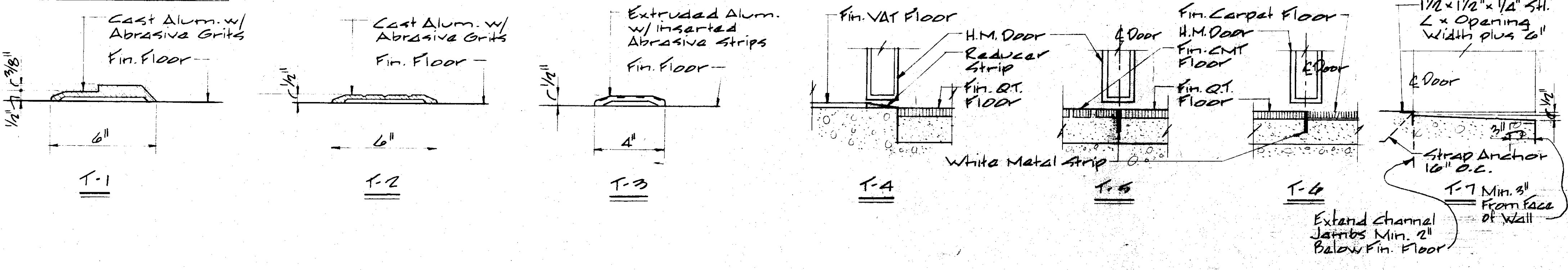
UNIT K																				
E34	Exterior	Access Building	2'-3'-0"	8'-0"	1-3/4"	B	H.M.	---	H.M.	8-3/4"	H-1	J-1	K	2024	Alum.	T-1	✓	---	Louver Slid Light Transom See Elev. Dwg. A-13	E34
E35	Exterior	Access Building	2'-3'-0"	8'-0"	1-3/4"	B	H.M.	---	H.M.	8-3/4"	H-1	J-1	K	2024	Alum.	T-1	✓	---	Louver Slid Light Transom See Elev. Dwg. A-13	E35

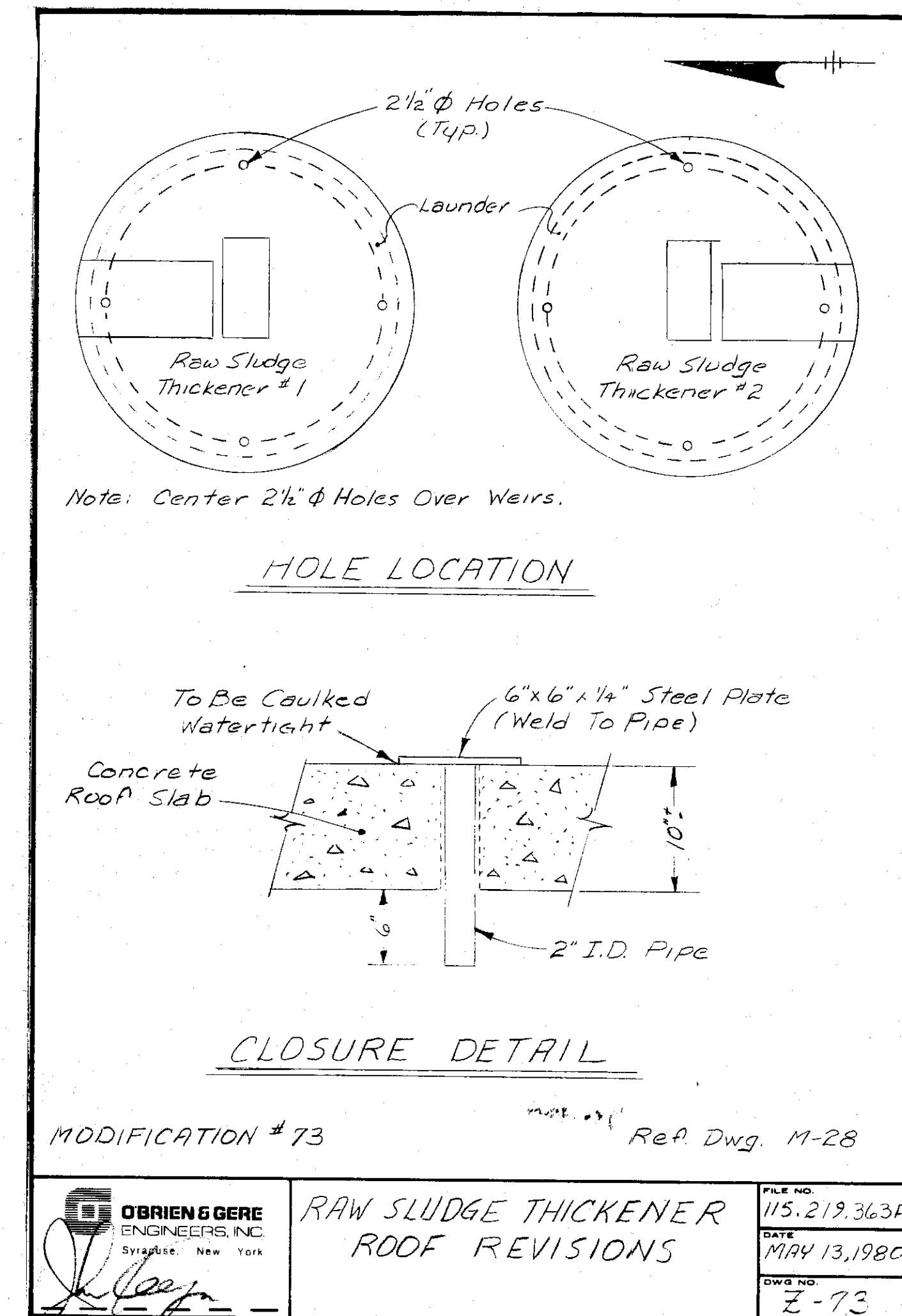
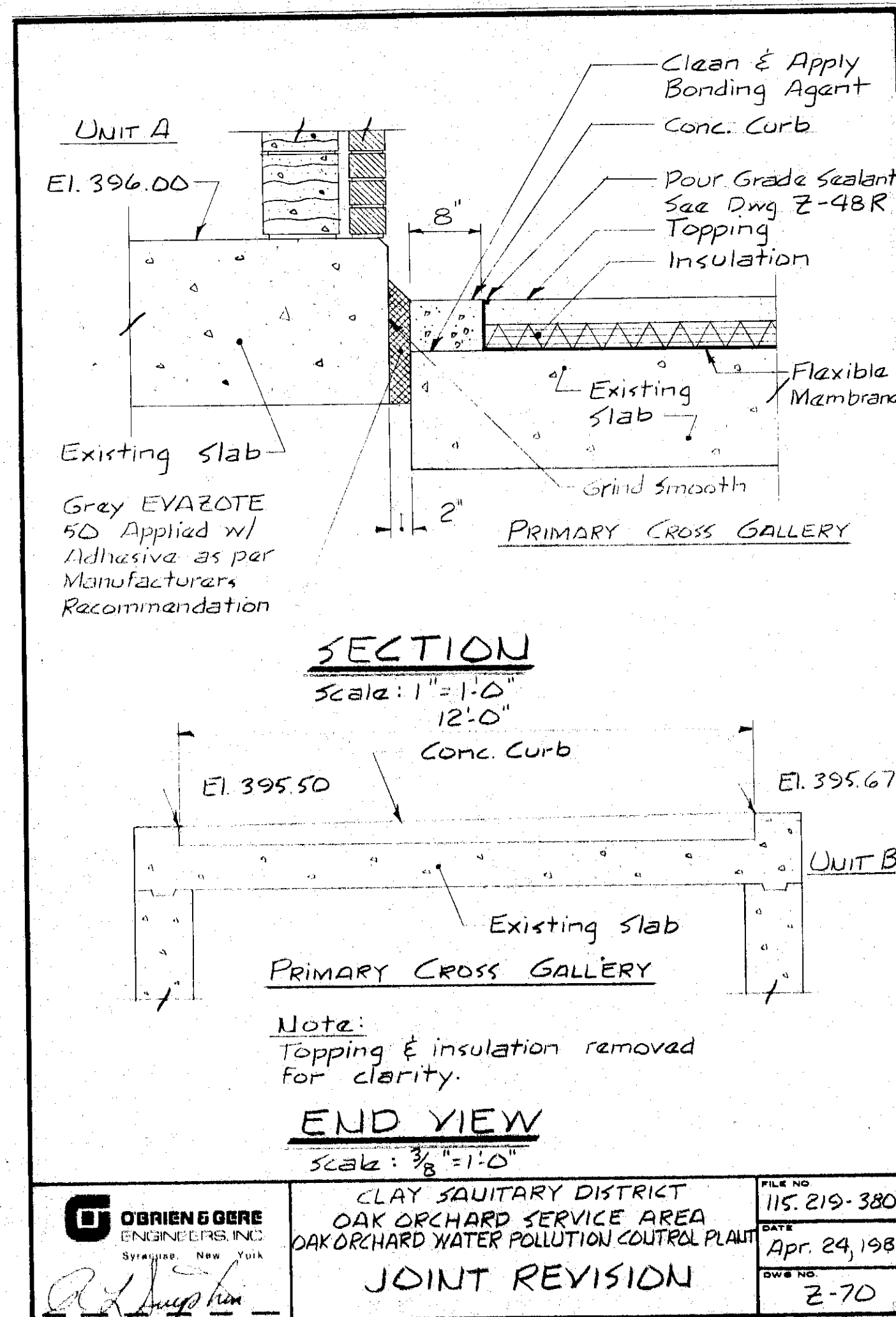
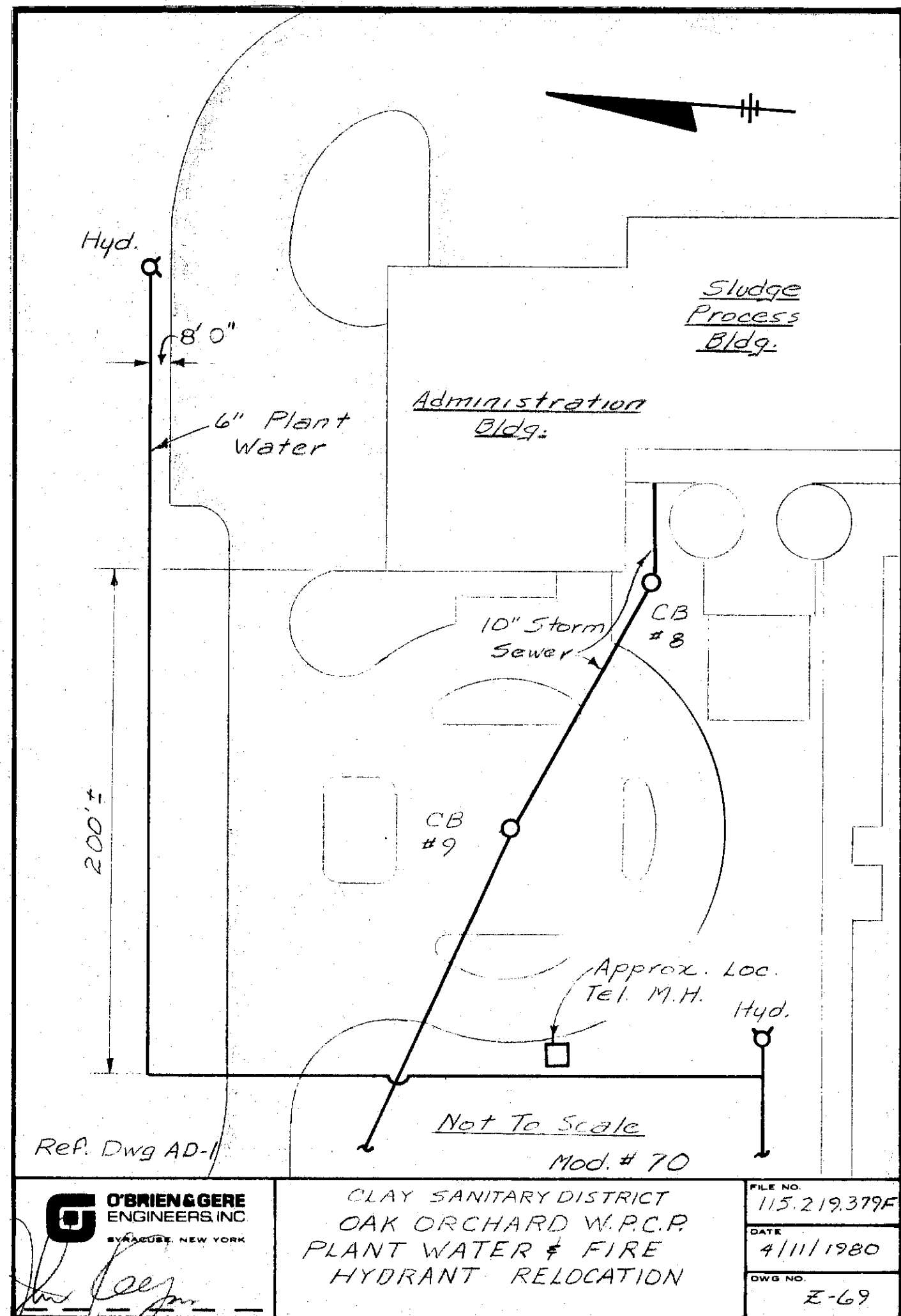
UNIT F																				
E36	Exterior	Access Building	3'-0"	7'-2"	1-3/4"	B	H.M.	---	H.M.	8-3/4"	H-1	J-1	K	2024	Alum.	T-1	✓	---		E36

CHLORINATION BUILDING																				
E37	Exterior	Chlorine Room	3'-0"	12'-0"	1-3/4"	G	H.M.	---	H.M.	8-3/4"	H-9	J-1	K	2024	Alum.	T-1	✓	---	Louver Above 7'-0" Door	E37
E38	Exterior	Chlorine Room	3'-0"	7'-2"	1-3/4"	B	H.M.	---	H.M.	8-3/4"	H-1	J-1	K	2024	Alum.	T-1	✓	---		E38
E39	Exterior	Chlorine Room	16'-4"	14'-0"	---	D	Steel	---	Steel	8"	*	2/A-B	J	2024	Steel	T-7	✓	---	* See Det. 3 Dwg. S-29	E39
E40	Exterior	Electric Equip. Room	3'-0"	7'-10"	1-3/4"	B	H.M.	---	H.M.	8-3/4"	H-1	J-1	K	2024	Alum.	T-1	✓	---		E40
226	Gallery	Compressor Room	2'-3'-0"	7'-0"	1-3/4"	A	H.M.	---	H.M.	8-3/4"	H-8	J-9	K	2024			✓	---		226
227	Gallery	Stair #9	2'-3'-0"	7'-0"	1-3/4"	F	H.M.	---	H.M.	8-3/4"	H-8	J-9	K	2027			✓	---		227
228	Gallery	Stair #18	2'-3'-0"	7'-2"	1-3/4"	F	H.M.	---	H.M.	8-3/4"	H-8	J-9	K	2027			✓	---		228
229	Filter Room	Flue Chase	3'-0"	7'-0"	1-3/4"	A	H.M.	---	H.M.	8-3/4"	H-5	J-6	K	2049			✓	---		229
230	Exist. Chlorine Room	Exist. Electric Room	3'-0"	7'-0"	1-3/4"	B	H.M.	---	H.M.	8-3/4"	H-5	J-6	K	2024	Alum.	T-2	✓	---		230
232	Exterior	Existing Blower Room	3'-0"	7'-2"	1-3/4"	B	H.M.	---	H.M.	8-3/4"	H-5	J-6	K	2024	Alum.	T-2	✓	---	Existing Door	232

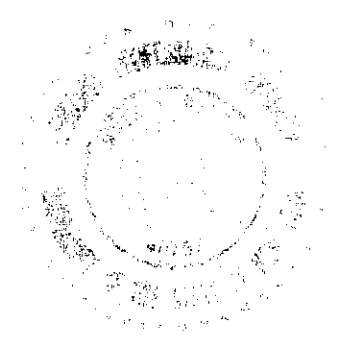


THRESHOLD TYPES:

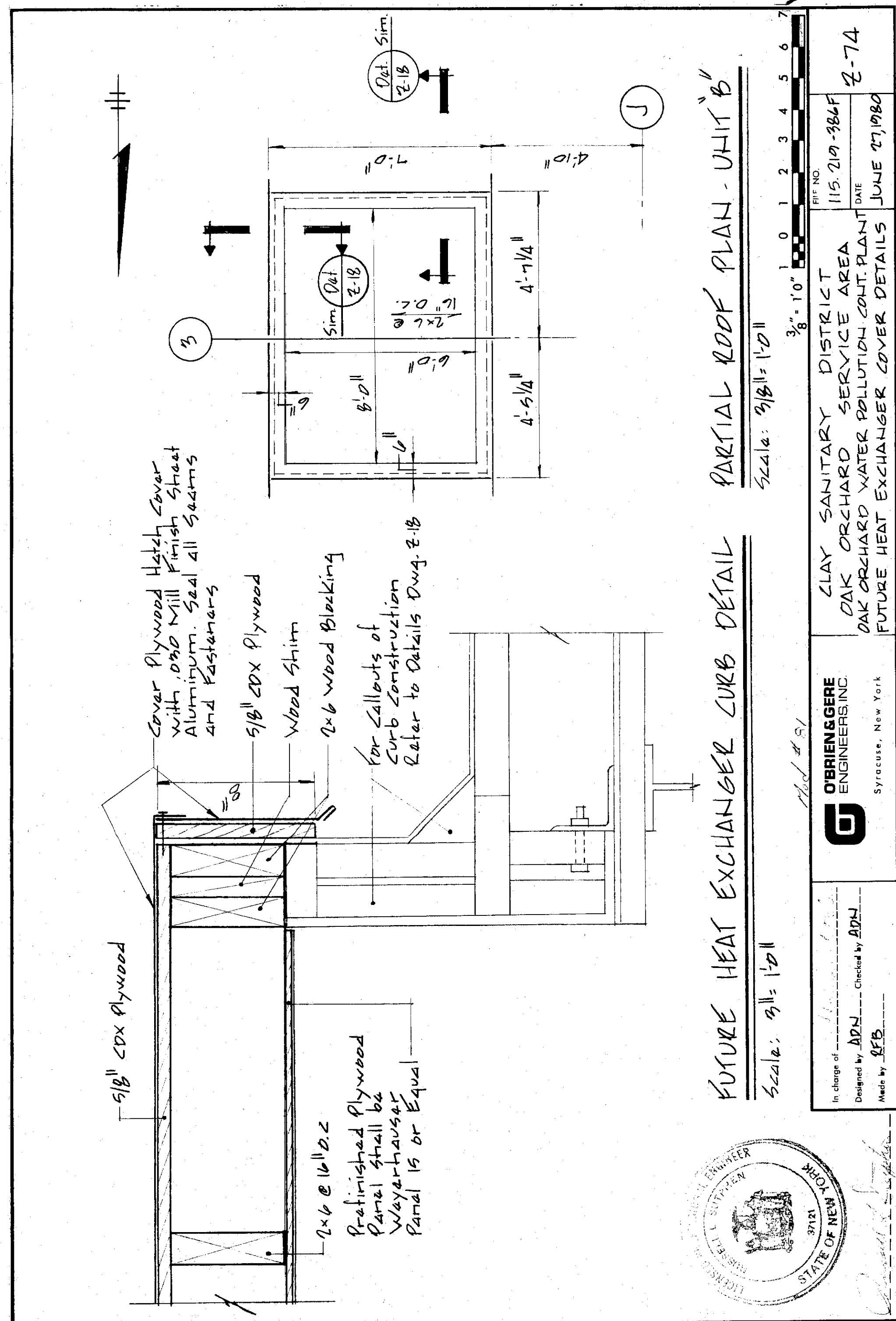




Bill [unclear]



In charge of _____ Designed by _____ Checked by _____ Made by _____	SCALE: AS SHOWN	NO.	DATE	REVISION	INIT.	O'BRIEN & GERE ENGINEERS, INC. SYRACUSE, NEW YORK	CLAY SANITARY DISTRICT OAK ORCHARD SERVICE AREA OAK ORCHARD WATER POLLUTION CONTROL PLANT	RECORD DRAWING Z-DRAWINGS Z-69, Z-70 & Z-73	FILE NO.	115.219-432 RD	RD-45
									DATE	AUGUST, 1980	

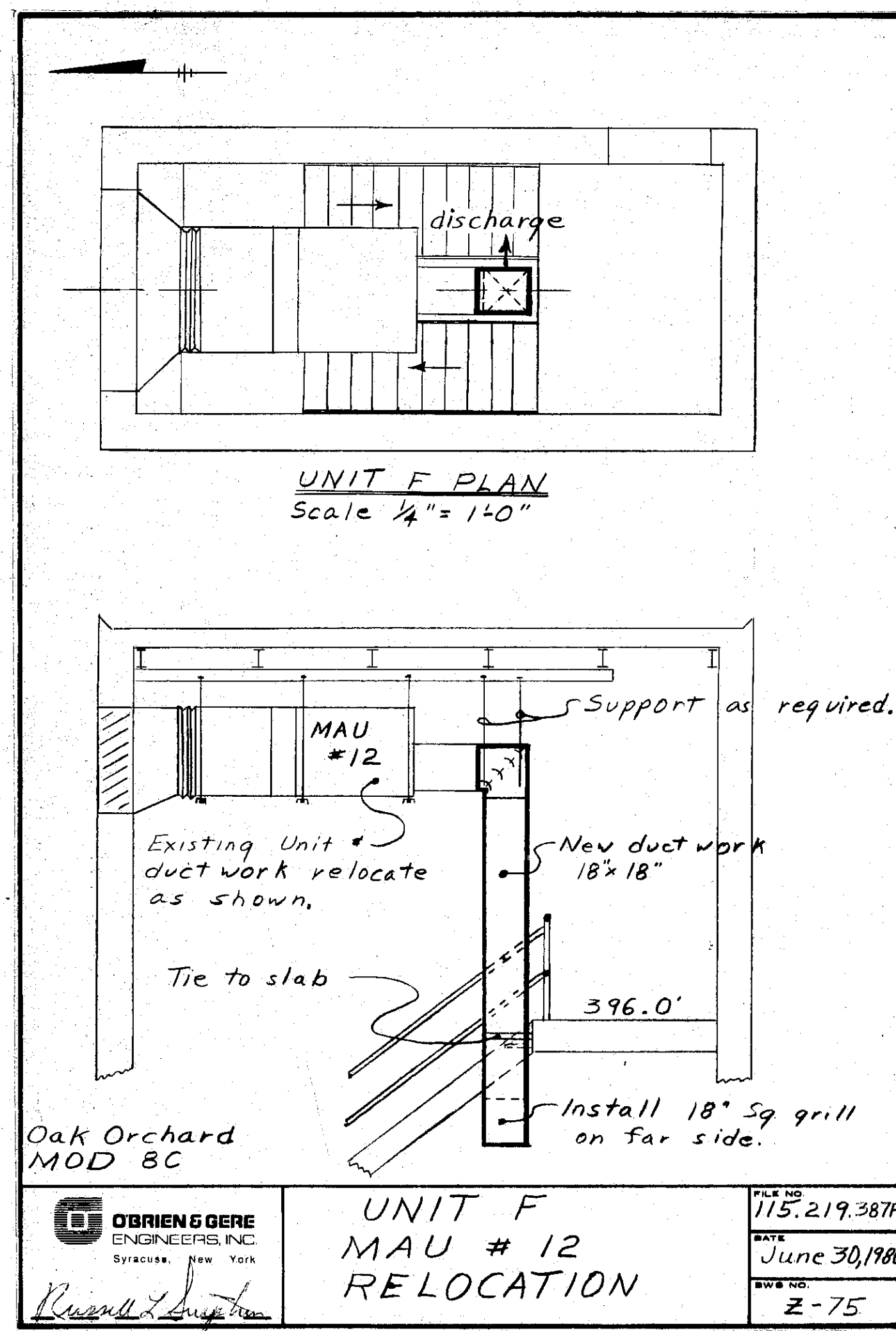
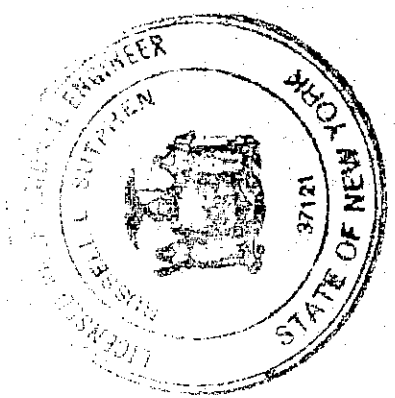


PARTIAL ROOF PLAN - UNIT B
 Scale: 3/8" = 1'-0"

FUTURE HEAT EXCHANGER CURB DETAIL
 Scale: 3/8" = 1'-0"

O'BRIEN & GERE ENGINEERS, INC.
 SYRACUSE, NEW YORK

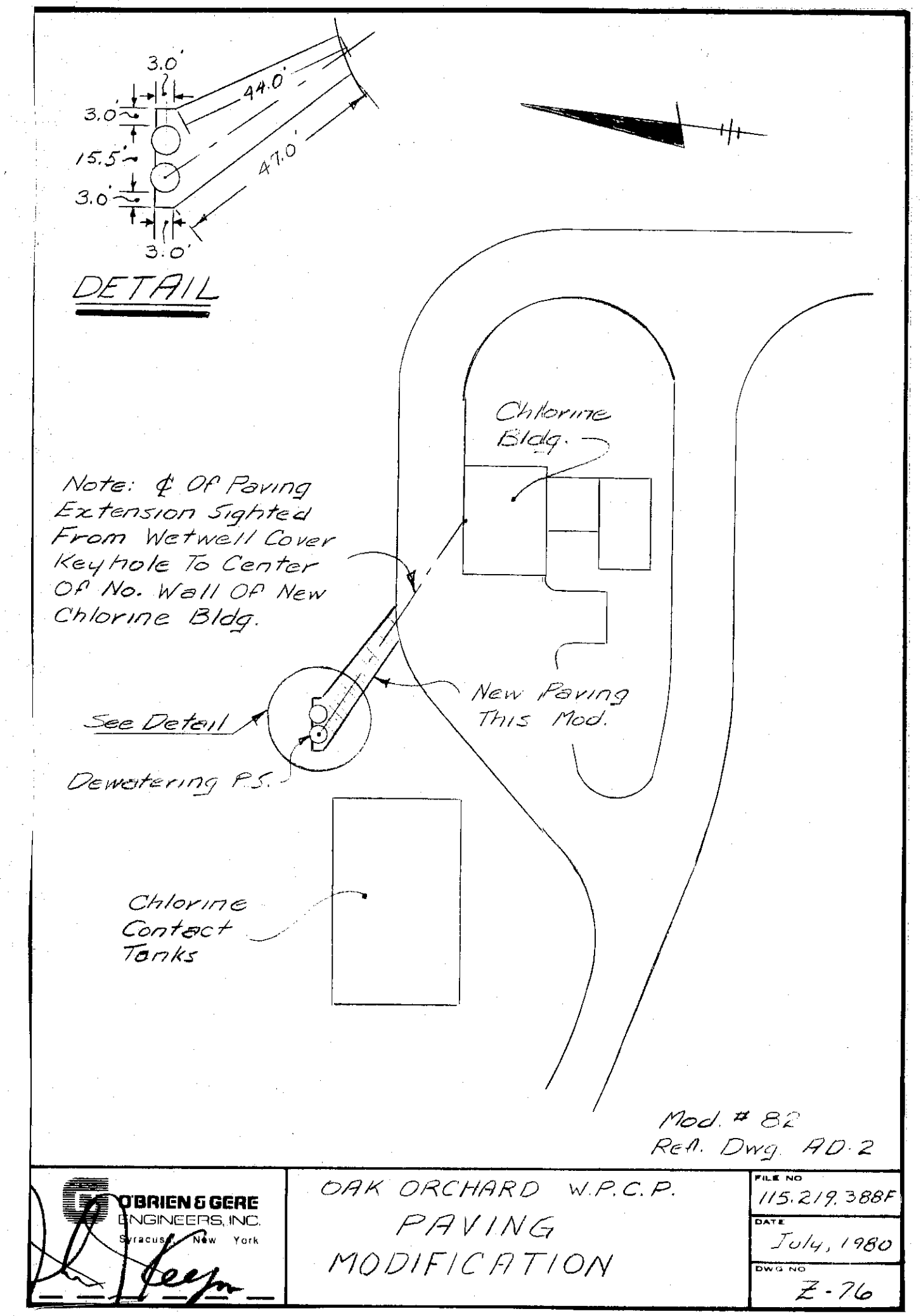
CLAY SANITARY DISTRICT
 OAK ORCHARD SERVICE AREA
 OAK ORCHARD WATER POLLUTION CONTROL PLANT
 FUTURE HEAT EXCHANGER COVER DETAILS
 JUNE 30, 1980
 Z-74



UNIT F MAU # 12 RELOCATION
 Scale: 1/4" = 1'-0"

O'BRIEN & GERE ENGINEERS, INC.
 SYRACUSE, NEW YORK

FILE NO. 115-219-387F
 DATE: June 30, 1980
 DWG. NO. Z-75



OAK ORCHARD W.P.C.P. PAVING MODIFICATION
 Scale: 1/4" = 1'-0"

O'BRIEN & GERE ENGINEERS, INC.
 SYRACUSE, NEW YORK

FILE NO. 115-219-388F
 DATE: July, 1980
 DWG. NO. Z-76

DEK
 G.M.H.
 J.M.B.

10/25/82
 10/25/82

Bill [signature]



In charge of	NO.	DATE	REVISION	INIT.
Designed by				
Checked by				
Made by				

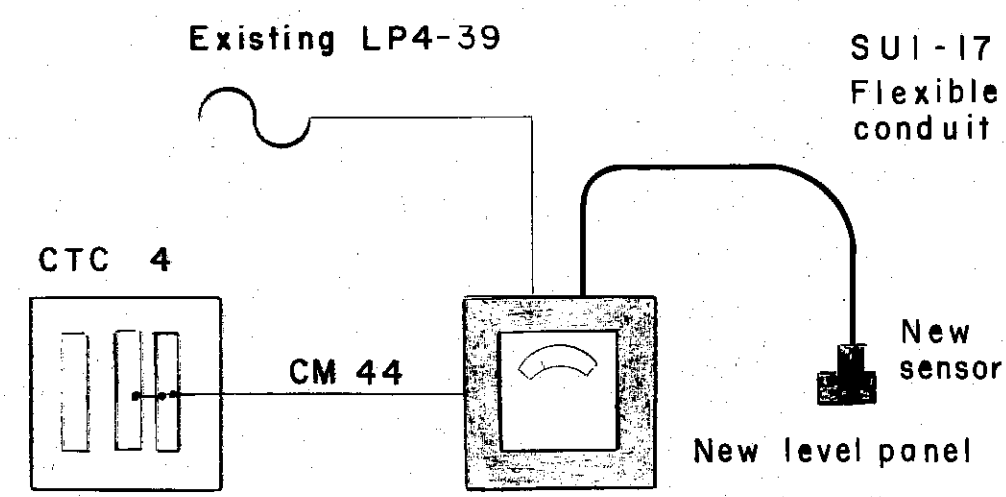
SCALE: AS SHOWN

O'BRIEN & GERE ENGINEERS, INC.
 SYRACUSE, NEW YORK

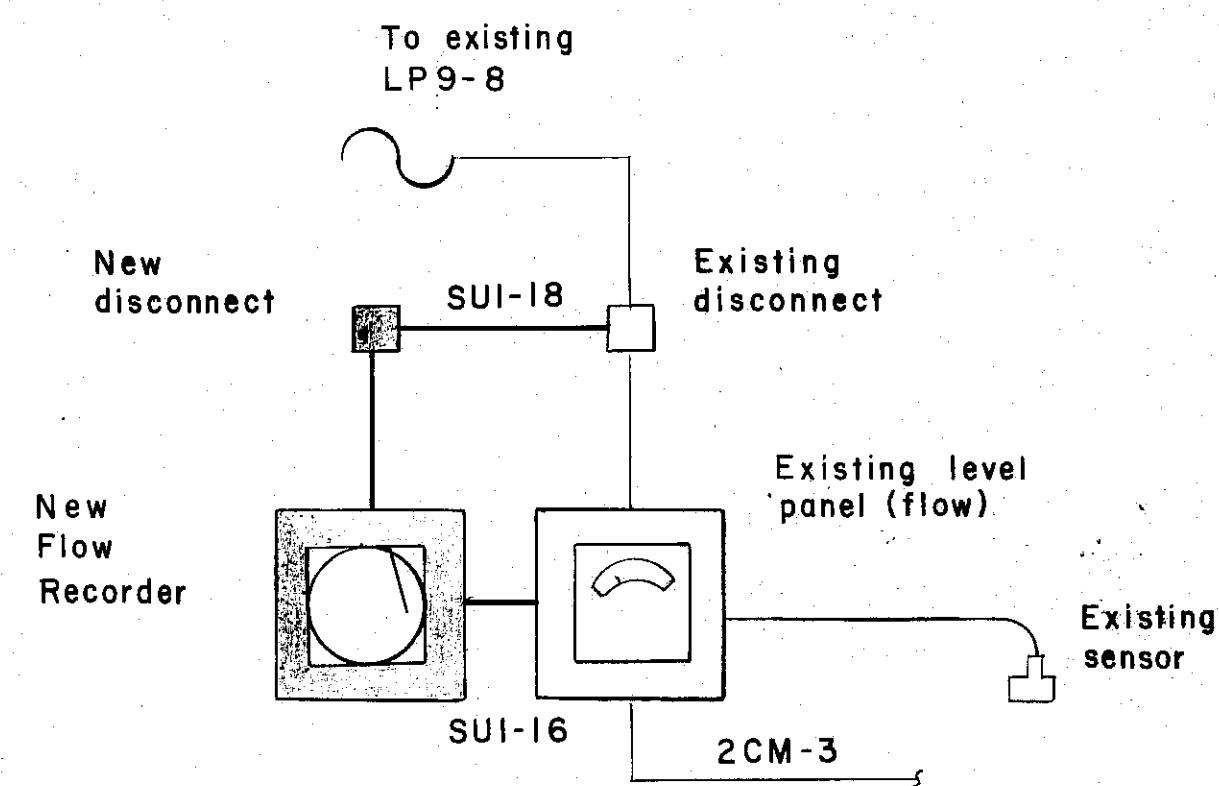
CLAY SANITARY DISTRICT
 OAK ORCHARD SERVICE AREA
 OAK ORCHARD WATER POLLUTION CONTROL PLANT

RECORD DRAWING
 Z-DRAWINGS
 Z-74, Z-75 & Z-76

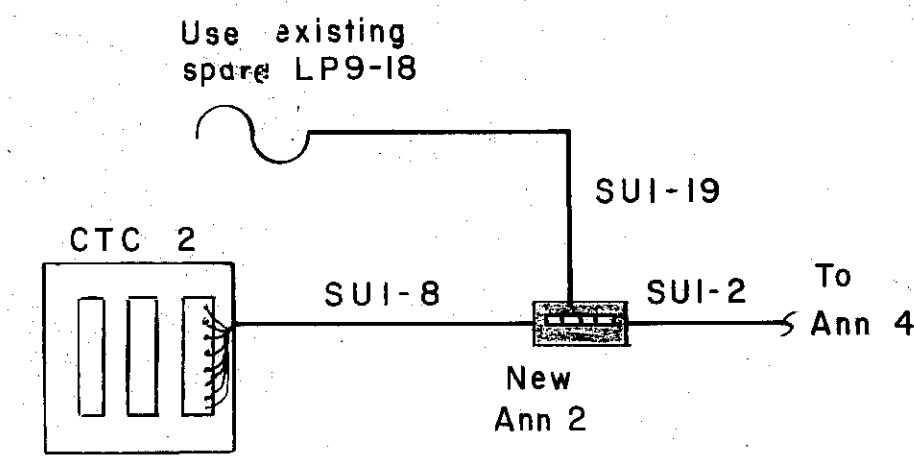
FILE NO. 115-219-433RD
 DATE AUGUST, 1980
 RD-46



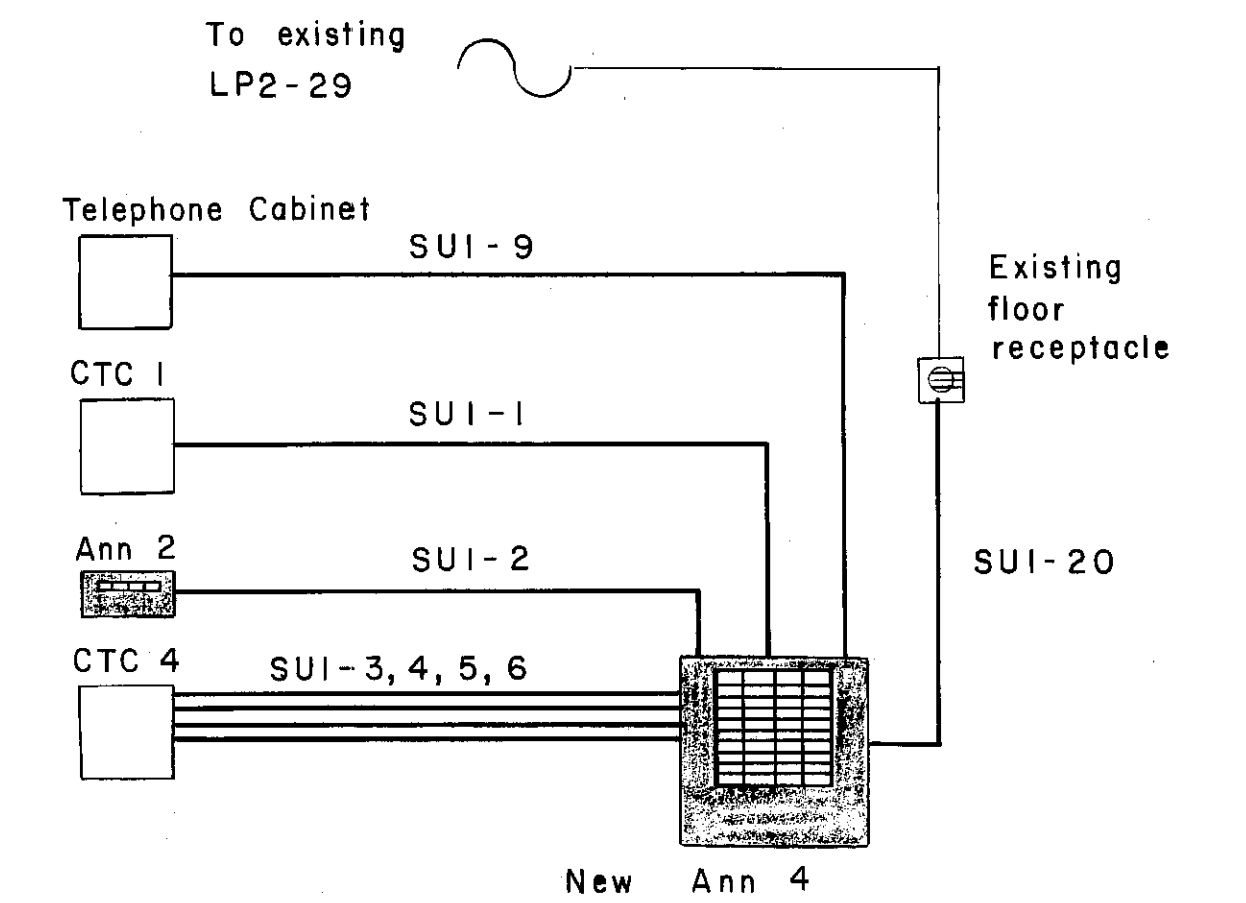
SONIC LEVEL UNIT



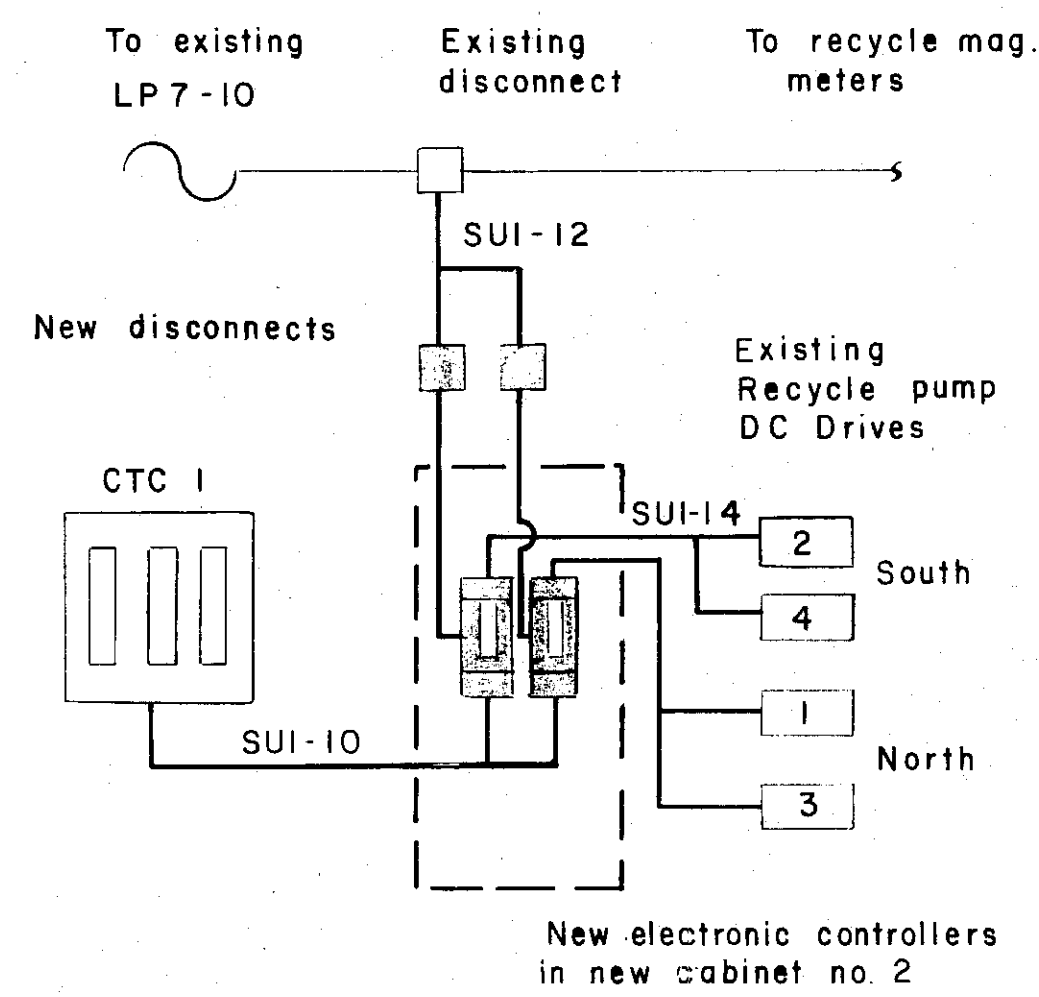
PLANT FLOW RECORDER



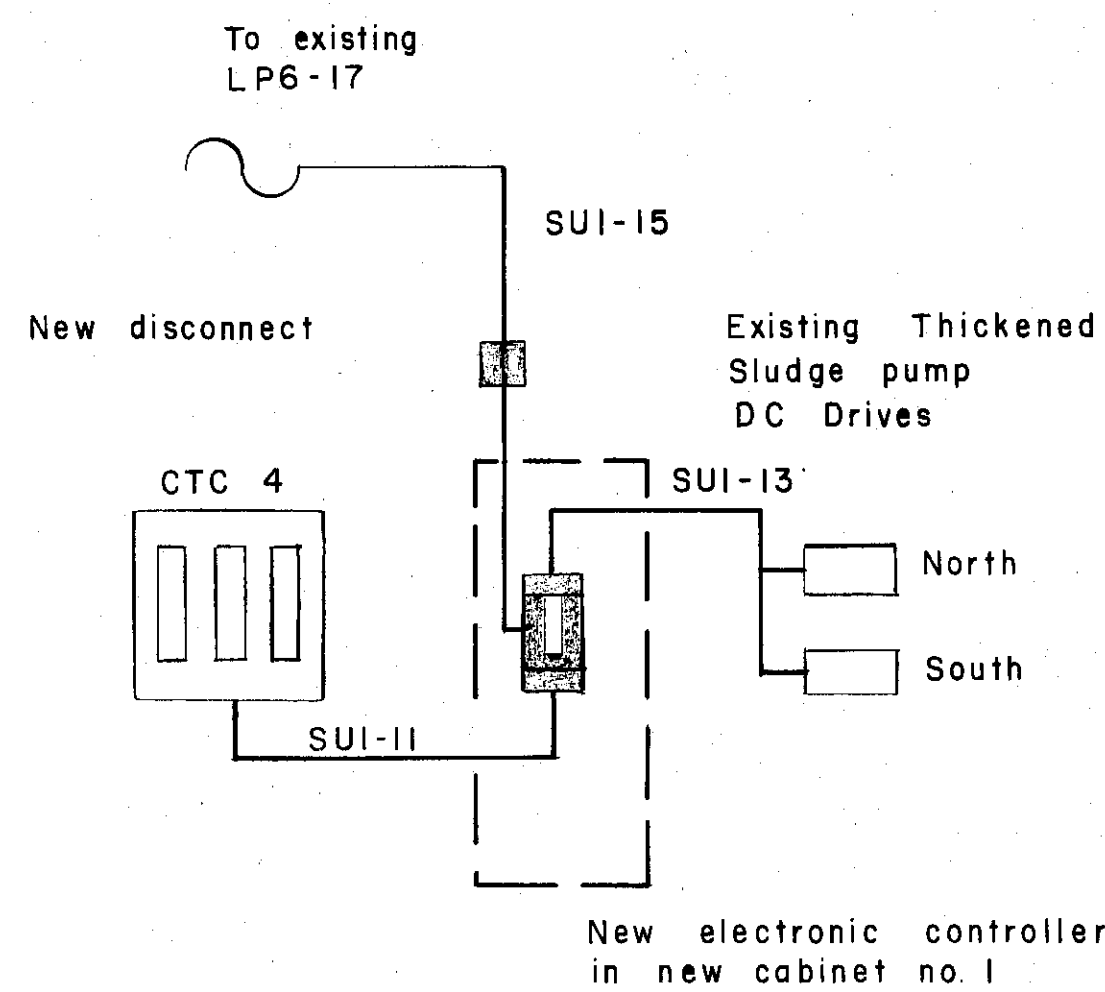
ANNUNCIATOR No. 2



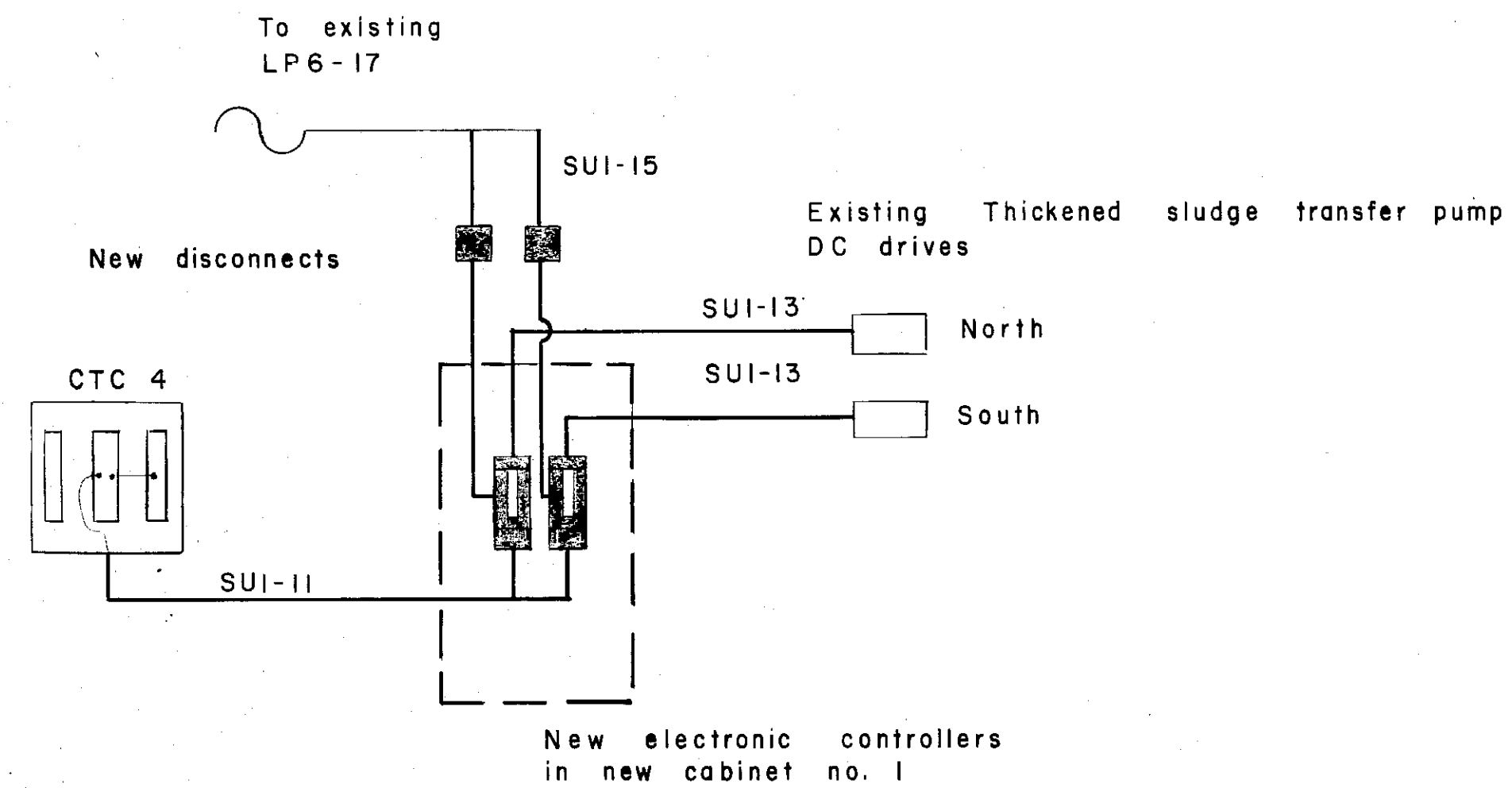
ANNUNCIATOR No. 4



RECYCLE PUMPS



THICKENED SLUDGE PUMPS



THICKENED SLUDGE TRANSFER PUMPS

In charge of *William H. Smith*
 Designed by *JEL* Checked by *WHE*
 Made by *JEL*

NO.	DATE	REVISION	INIT.

O'BRIEN & GERE
 ENGINEERS, INC.
 Syracuse, New York

OAK

MOD 37B

START-UP INSTRUMENTATION
 OAK ORCHARD
 ONE IMFS 7-

DEK
GMB
JMS
10/2/62
10/2/62
BLL

