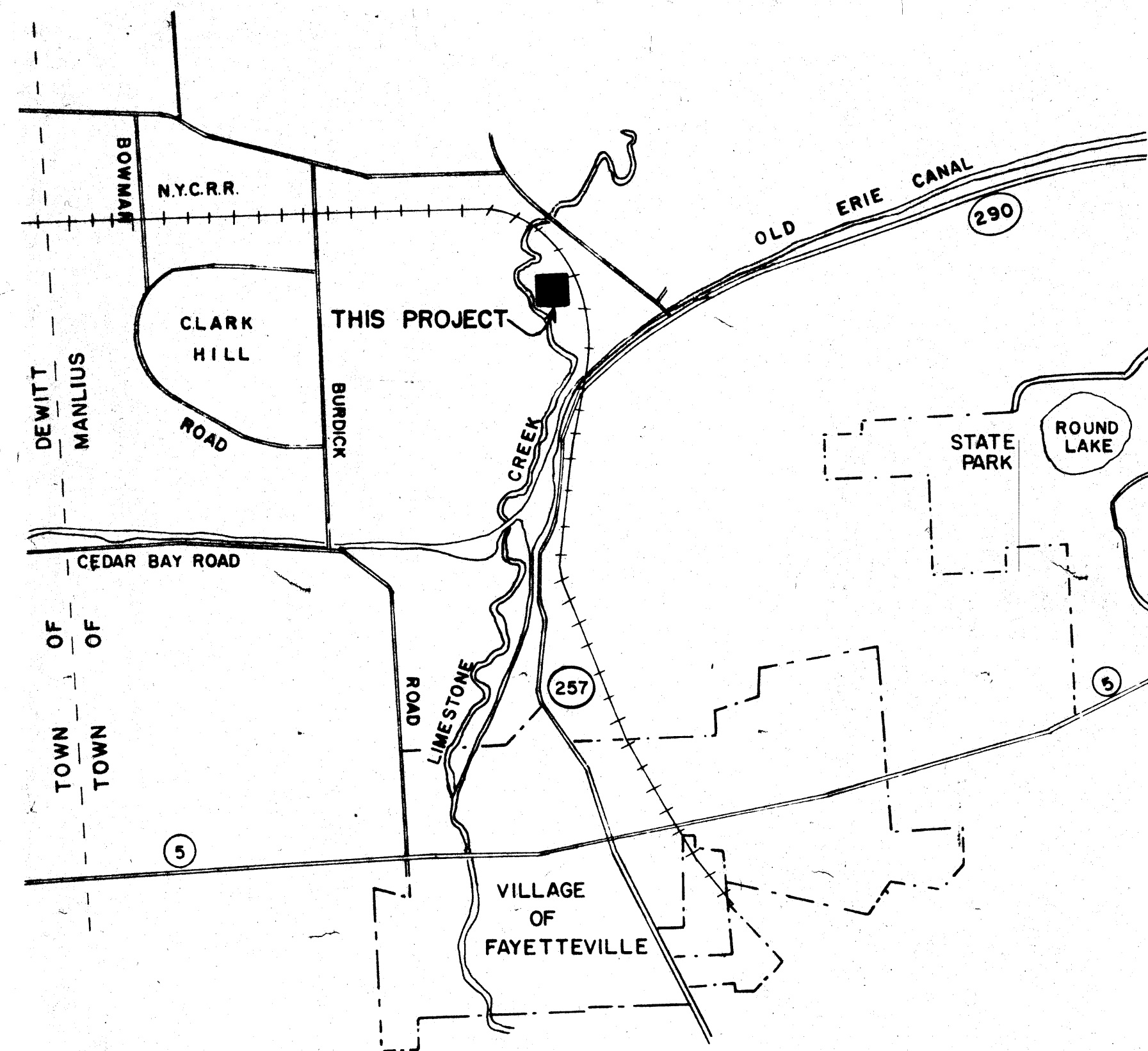


Contract Drawings

MISCELLANEOUS IMPROVEMENTS MEADOWBROOK - LIMESTONE SEWAGE TREATMENT FACILITIES



LOCATION PLAN
SCALE 1" = 2000'

C-36-447

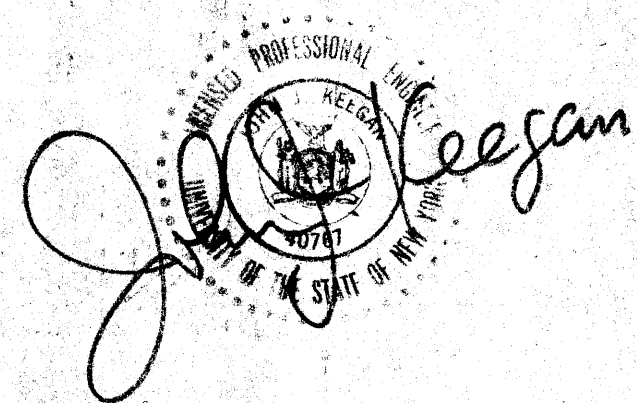
CONTRACT No. 6 - GENERAL
CONTRACT No. 7 - ELECTRICAL

MEADOWBROOK - LIMESTONE
TREATMENT PLANT DISTRICT
COUNTY OF ONONDAGA, NEW YORK
DEPARTMENT OF PUBLIC WORKS
DIVISION OF DRAINAGE & SANITATION

JOHN H. MULROY - COUNTY EXECUTIVE
JOHN J. HENNIGAN JR. - DEPUTY COMMISSIONER

APPROVED BY ONONDAGA COUNTY
DEPARTMENT OF PUBLIC WORKS
DIVISION OF DRAINAGE SANITATION AND WATER SUPPLY
[Signature] 8/27/73
DEPUTY COMMISSIONER

O'BRIEN & GERE
ENGINEERS, INC.



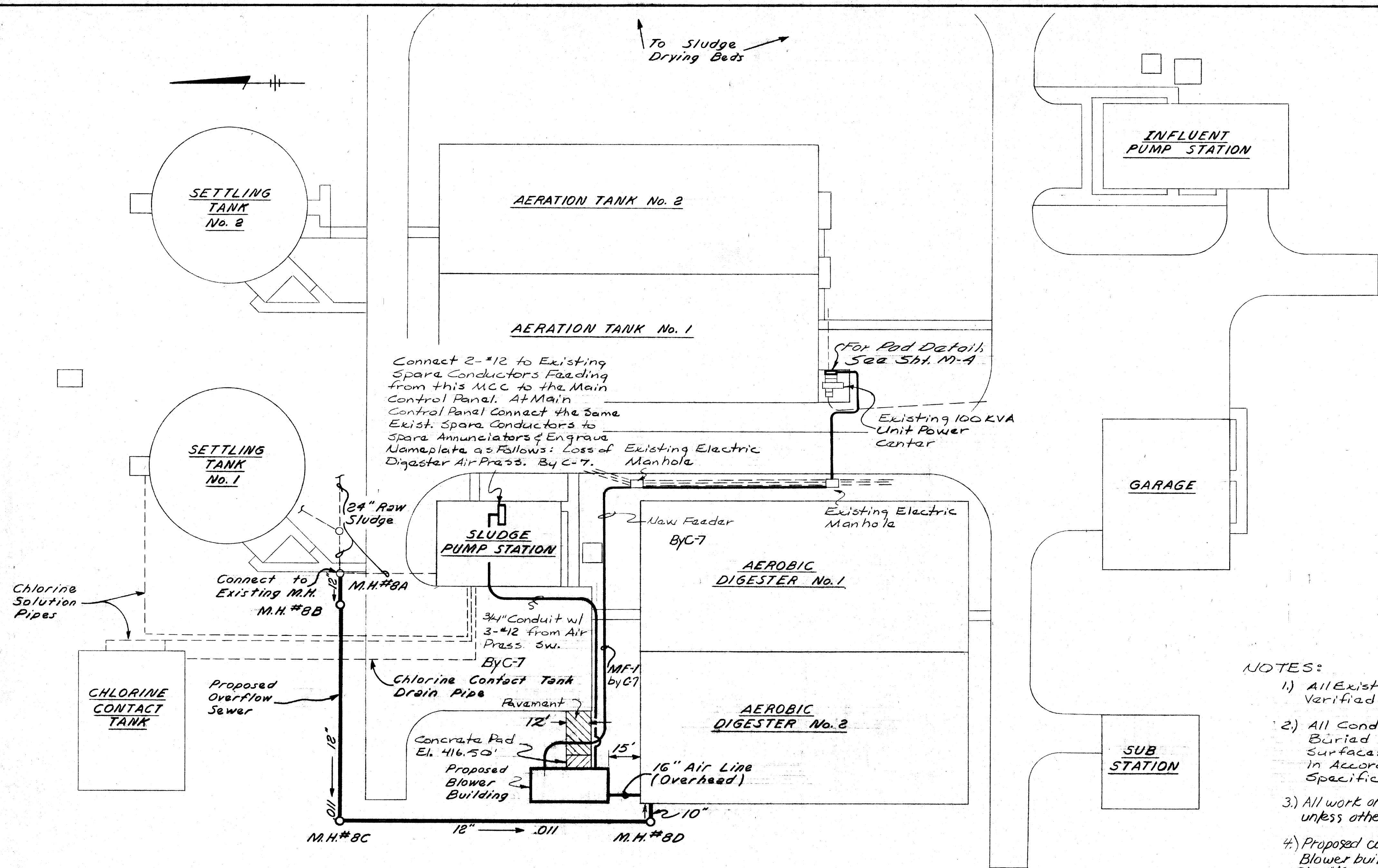
ARCHIVE DRAWINGS
DO NOT REMOVE FROM OFFICE
THIS STAMP IS IN RED INK

RECORDED
To the best of our knowledge, information and belief, these drawings accurately represent the project as contracted.
O'BRIEN & GERE
ENGINEERS, INC.
By: *[Signature]*

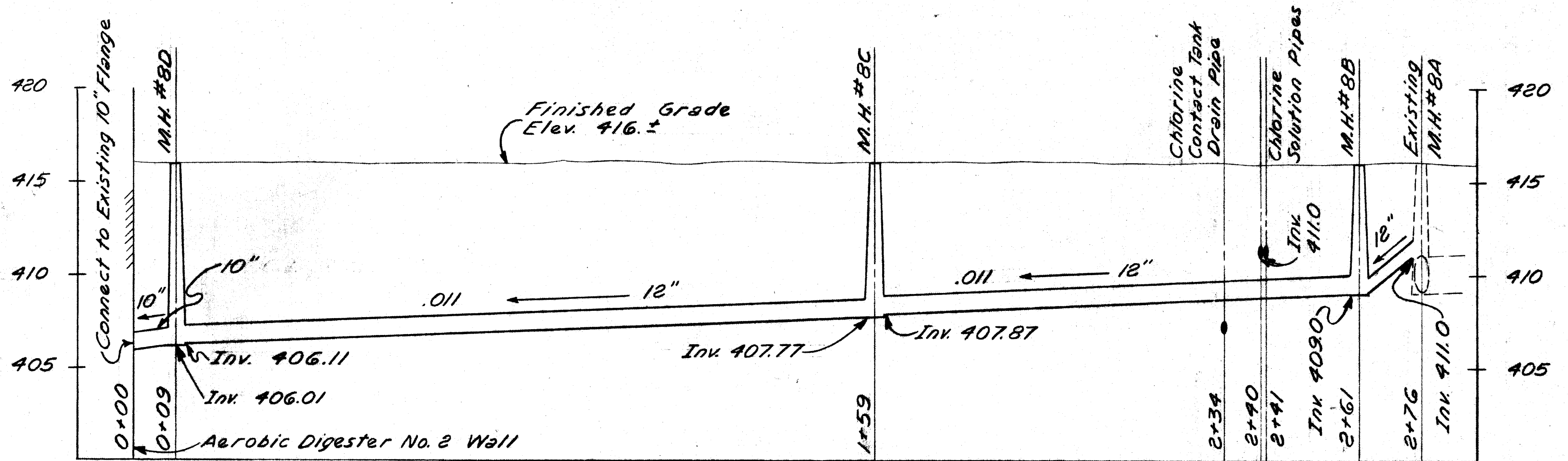
PROJECT: F&D
DRAWN BY: GBC
CHECKED BY: WSP

INDEX TO DRAWINGS

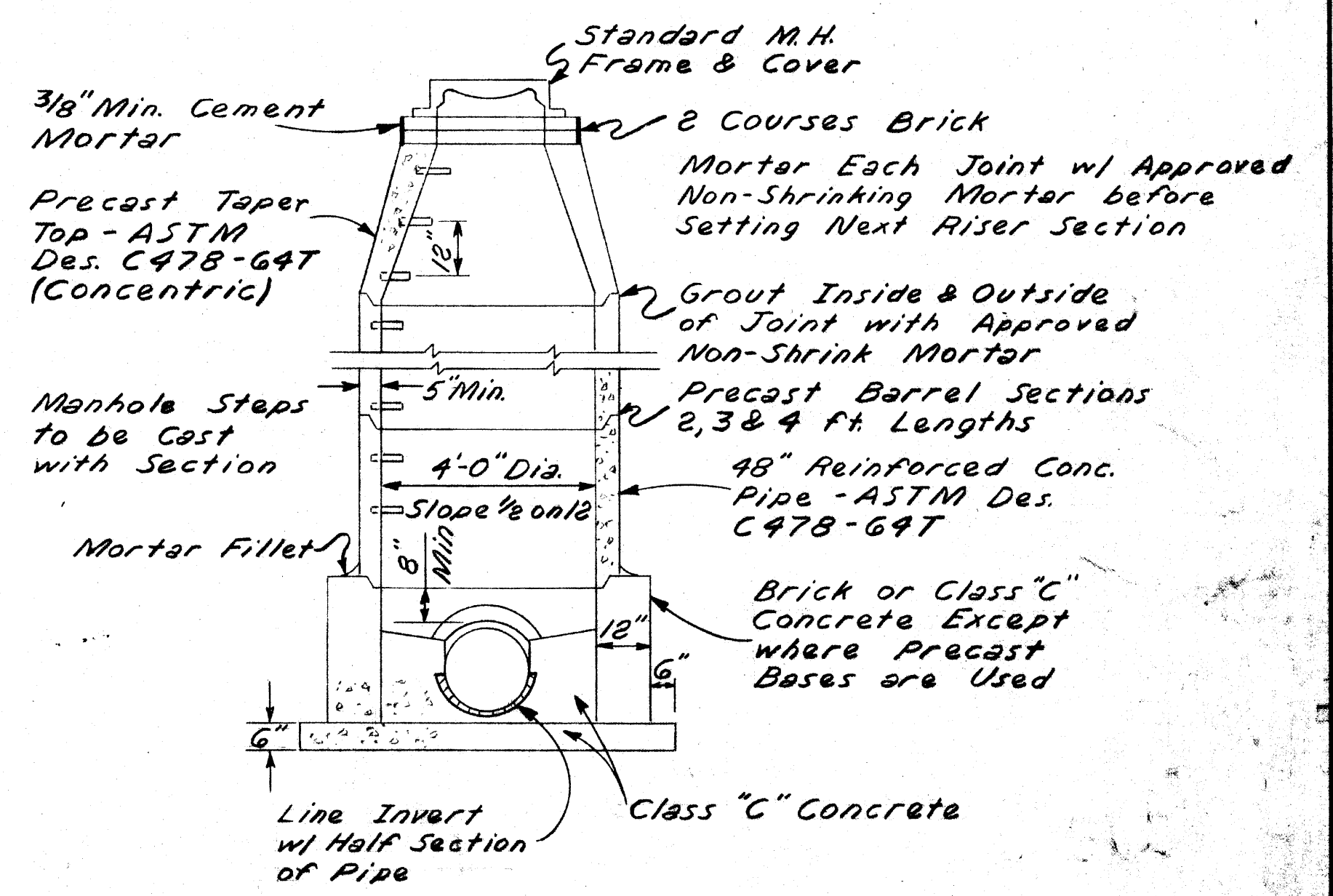
- GENERAL
- G-1 SITE PLAN & SEWER PROFILE
- ARCHITECTURAL
- A-1 BLOWER BLDG. PLANS & DETAILS
- MECHANICAL
- M-1 SCREENING EQUIPMENT - INFLUENT PUMP STATION
- M-2 AEROBIC DIGESTER - AIR DIFFUSION SYSTEM ALT. I
- M-3 AEROBIC DIGESTER - AIR DIFFUSION SYSTEM ALT. II
- M-4 BLOWER BLDG. - PIPING - MISC. DETAILS
- ELECTRICAL
- E-1 DIAGRAMS & DETAILS
- E-2 PLANS & DETAILS



PLAN $\Delta \Delta$
Scale: 1" = 30'

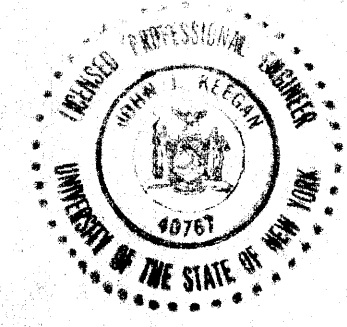
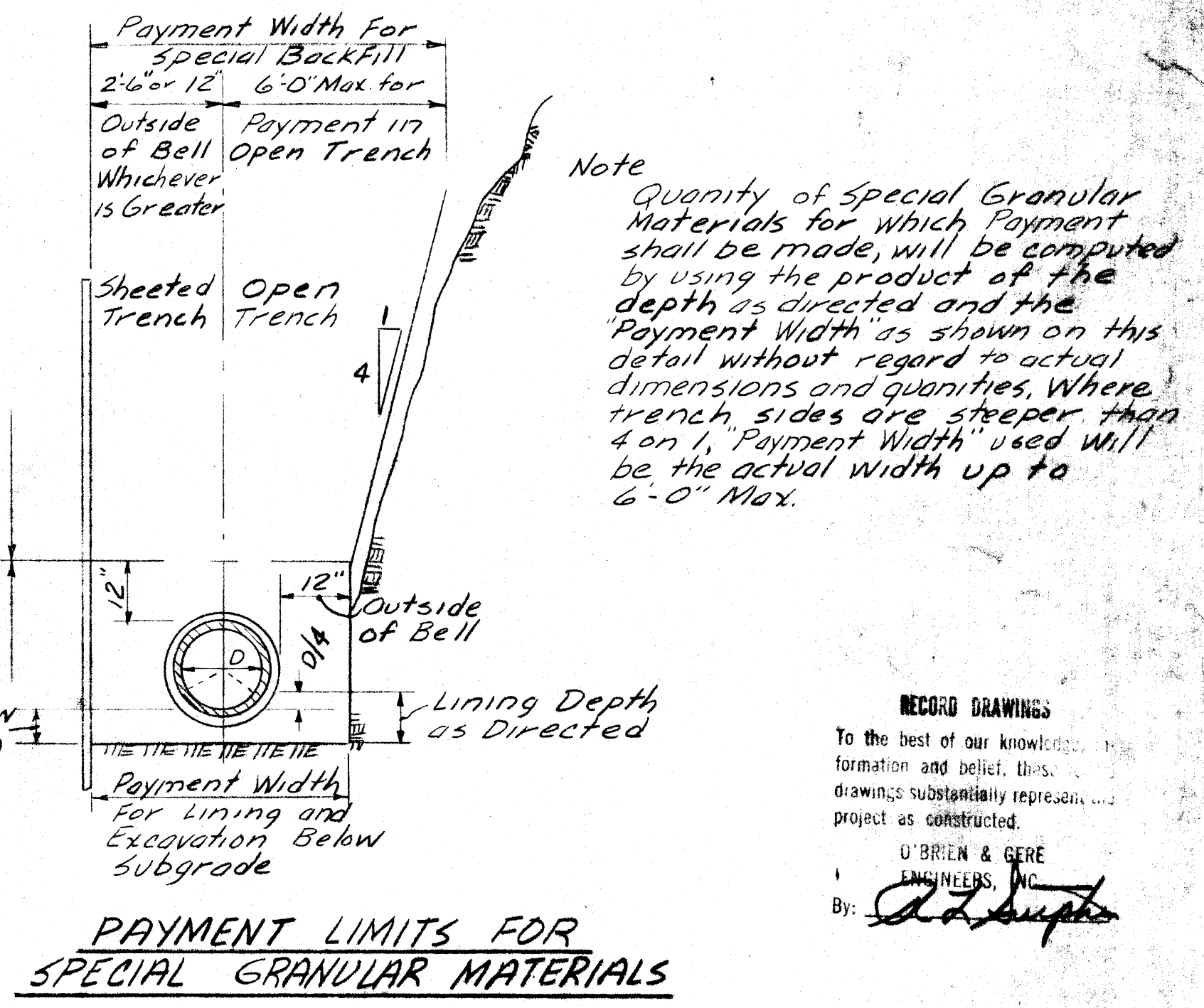


OVERFLOW SEWER PROFILE
Scale: Horiz.: 1" = 20'
Vert.: 1" = 5'



STANDARD MANHOLE
Not to Scale

- NOTES:
- 1) All Existing Pipes to be Verified in the Field.
 - 2) All Conduits to be Buried 18" min. Deep, Surfaces to be Restored in Accordance with the Specifications.
 - 3) All work on this sheet by C-6 unless otherwise noted.
 - 4) Proposed concrete pad east of Blower building shall be 9" thick Class "A" concrete, reinforced with 6x6 6/6 welded wire fabric, with 6" of compacted gravel beneath the pad.



In charge of WJP
Designed by EJA Checked by WJP
Made by DAR

NO.	DATE	REVISION	INT.
1	7/27/75	Addition of Alarm Circuit	AEM
2	8/27/75	Payment to Blower Bldg.	RPS

O'BRIEN & GERE ENGINEERS, INC.
Syracuse, New York

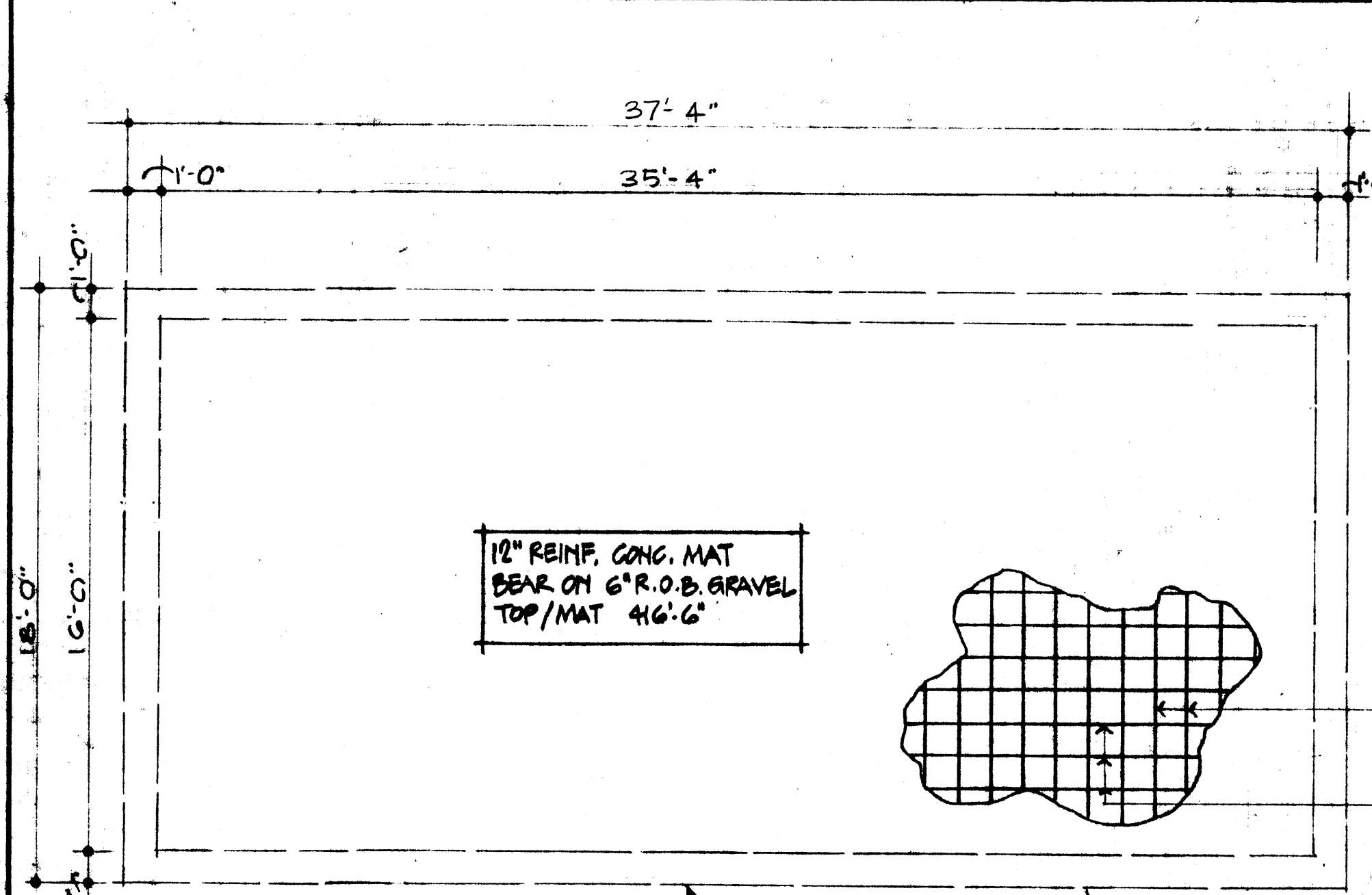
COUNTY OF ONONDAGA, NEW YORK
CONTRACTS NO. 6 & 7
MISCELLANEOUS IMPROVEMENTS
MEADOWBROOK-LIMESTONE S.T.F.

GENERAL
SITE PLAN & SEWER PROFILE

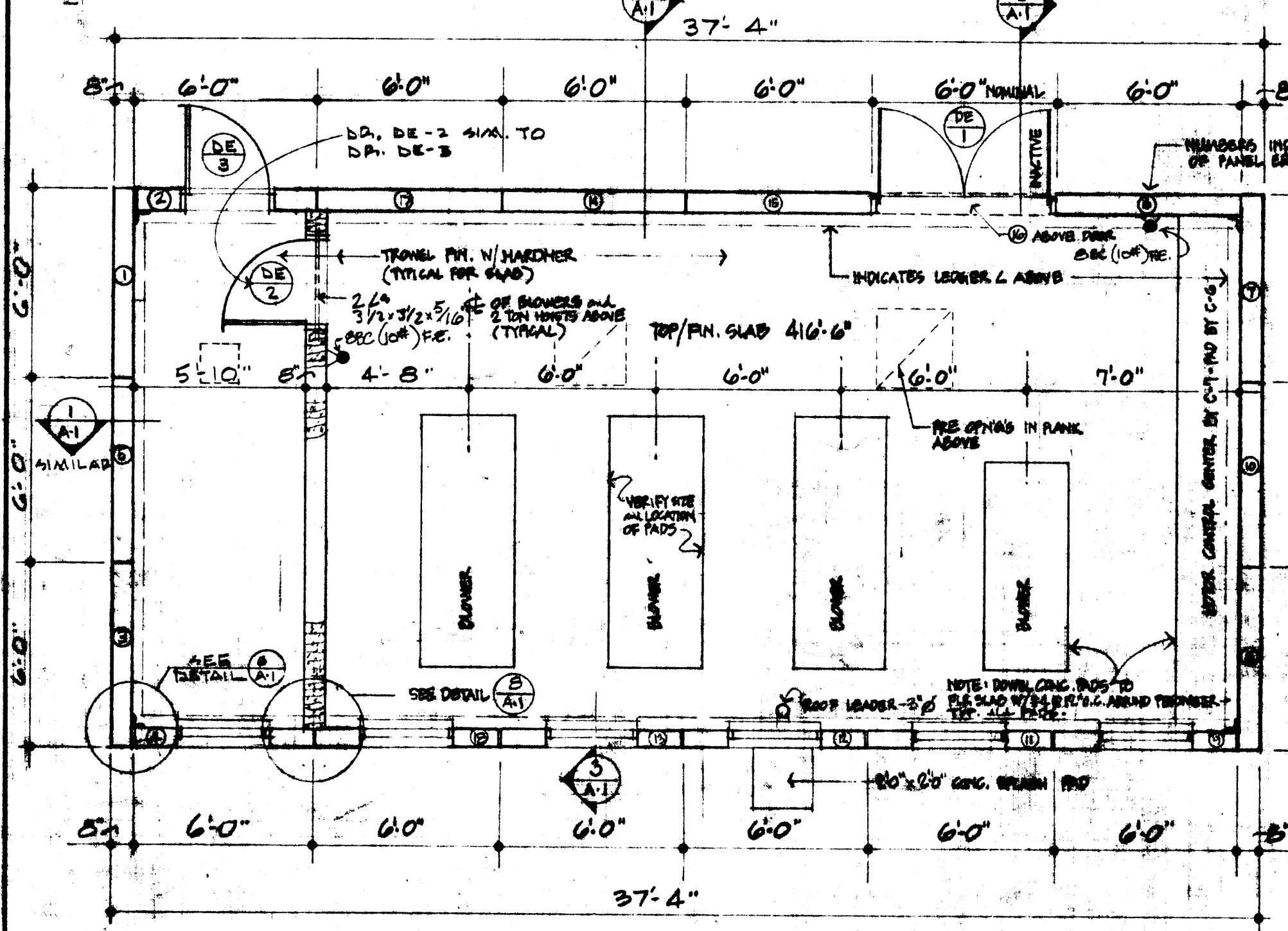
FILE NO.
115.149-251
DATE
AUGUST 23, 1975
INDEXED

ARCHIVE DRAWINGS
DO NOT REMOVE FROM OFFICE
THIS STAMP IS IN RED INK

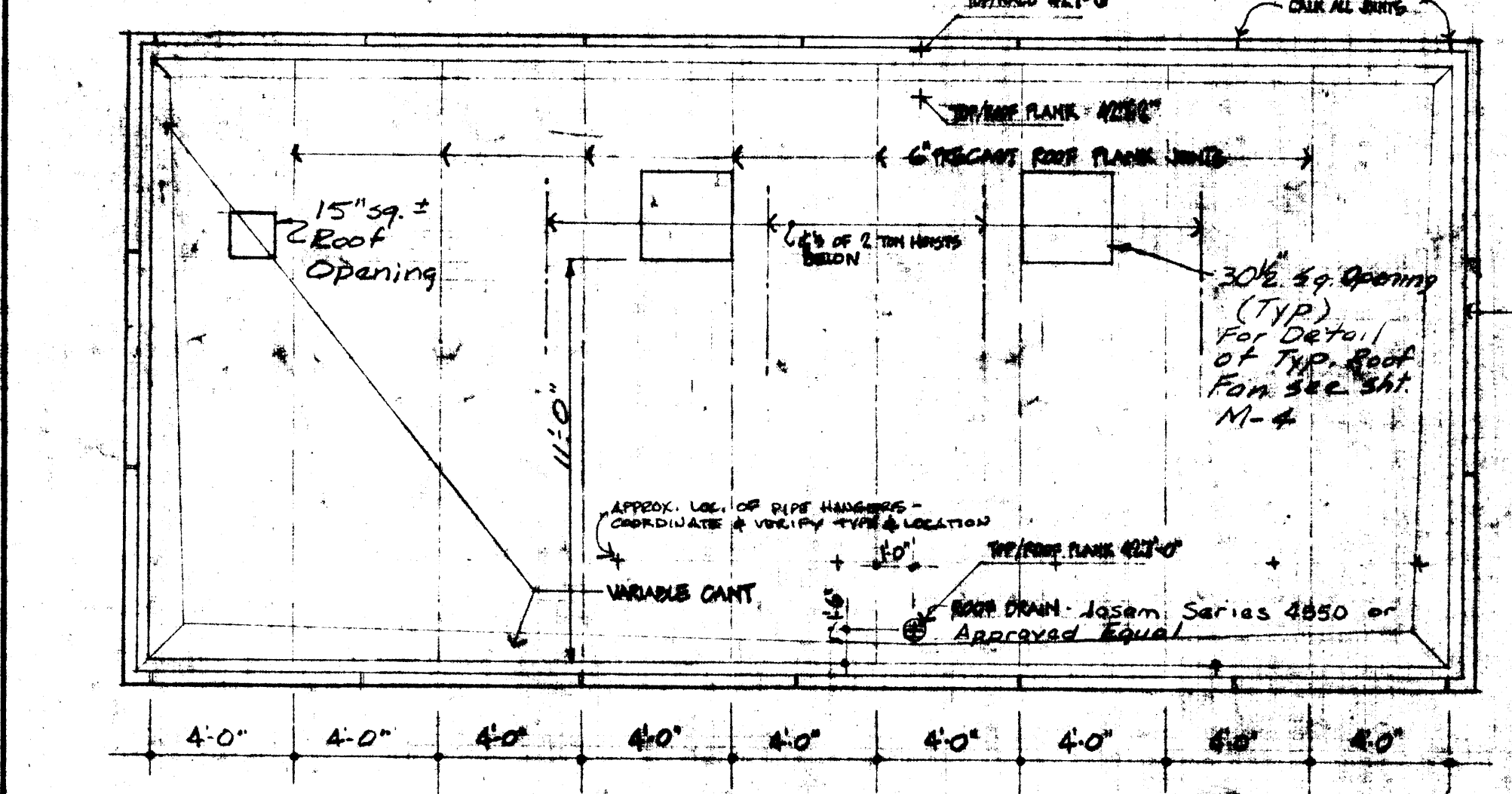
RECORD DRAWINGS
To the best of our knowledge, information and belief, these drawings substantially represent project as constructed.
O'BRIEN & GERE ENGINEERS, INC.
By: [Signature]
F.V.D.
G.B.C.
W.J.P.
2-18-76
2-18-76



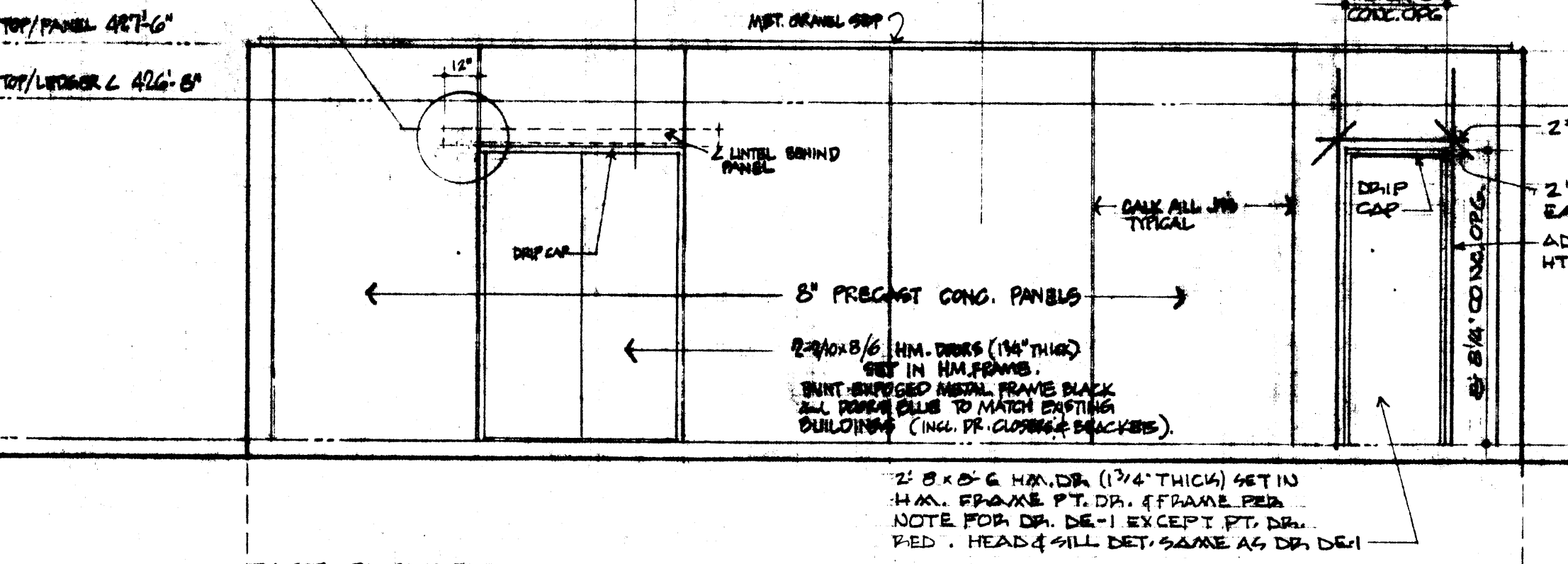
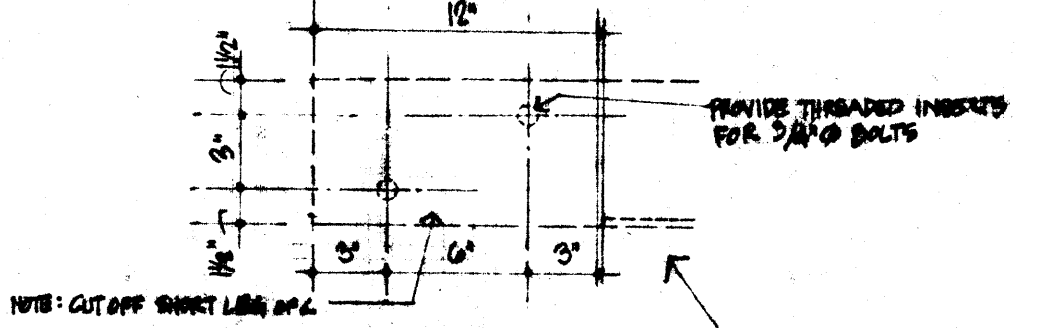
FOUNDATION PLAN
SCALE: 1/4" = 1'-0"



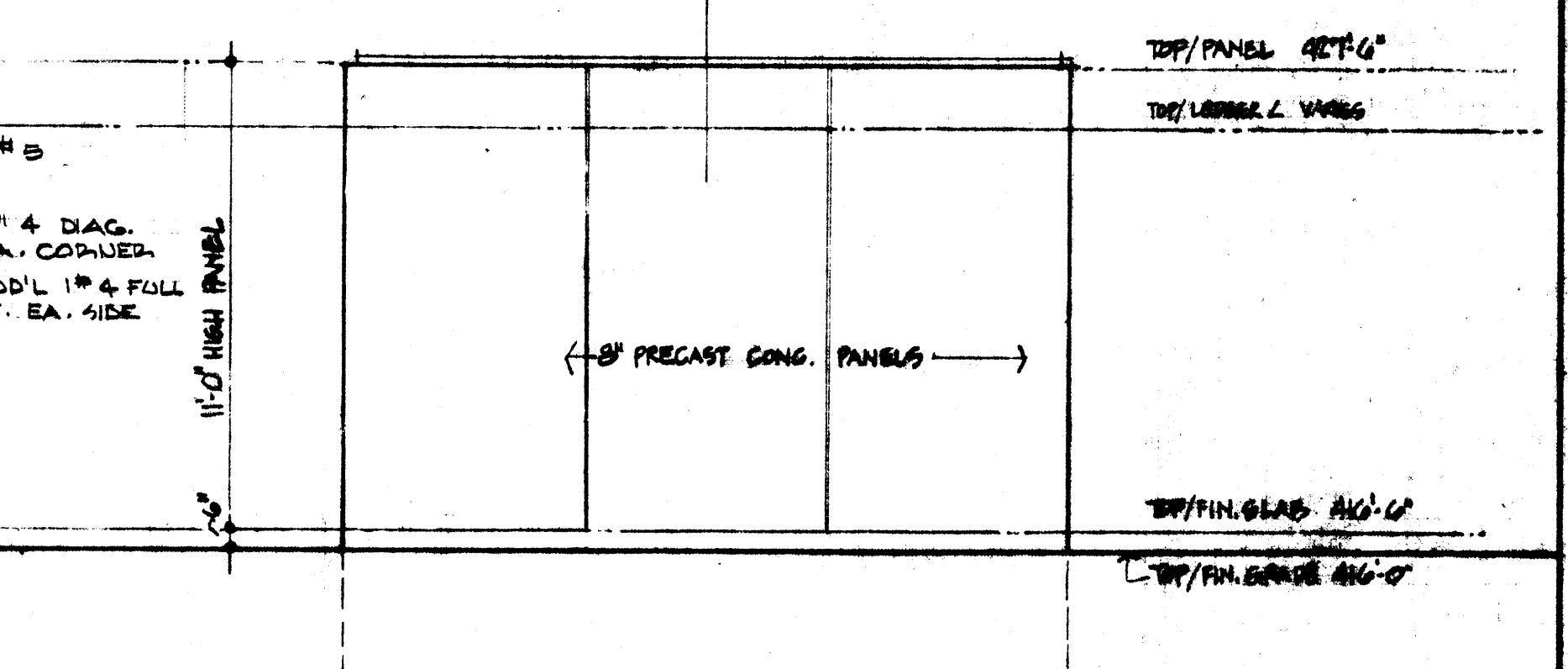
FLOOR PLAN
SCALE: 1/4" = 1'-0"



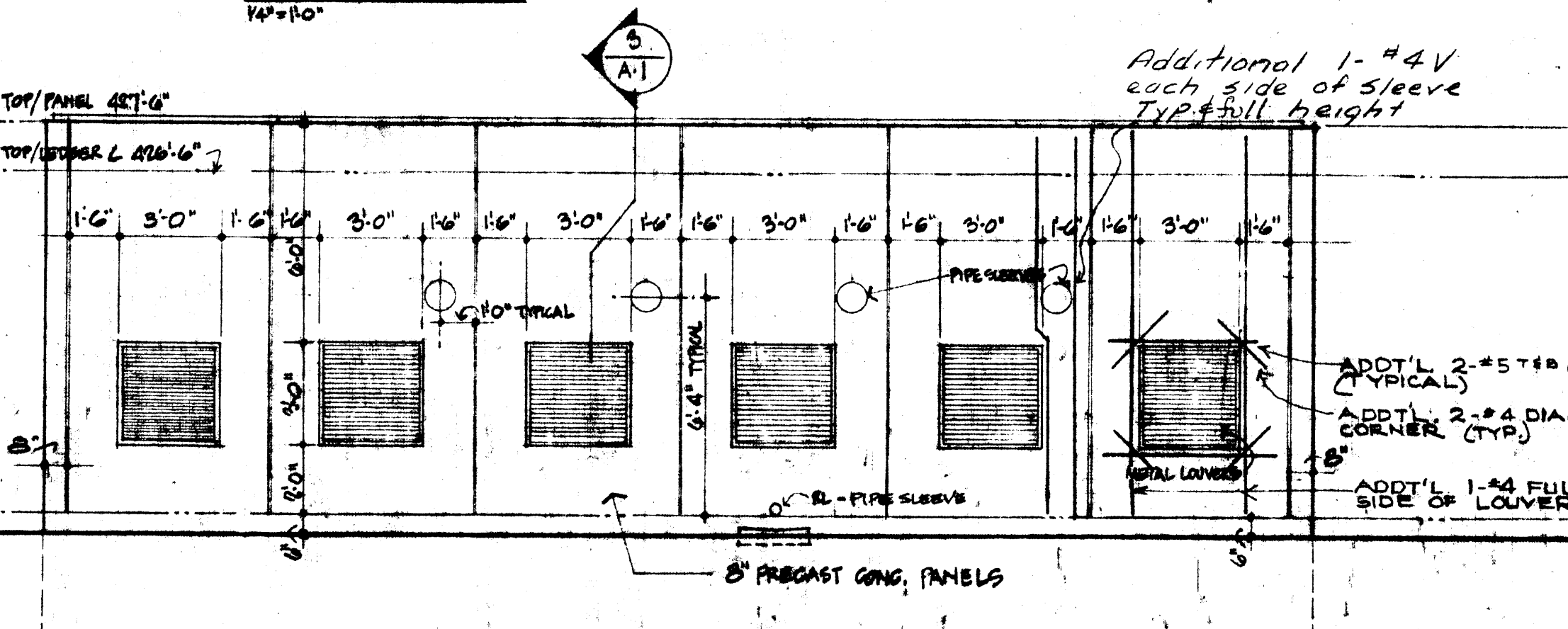
ROOF PLAN
SCALE: 1/4" = 1'-0"



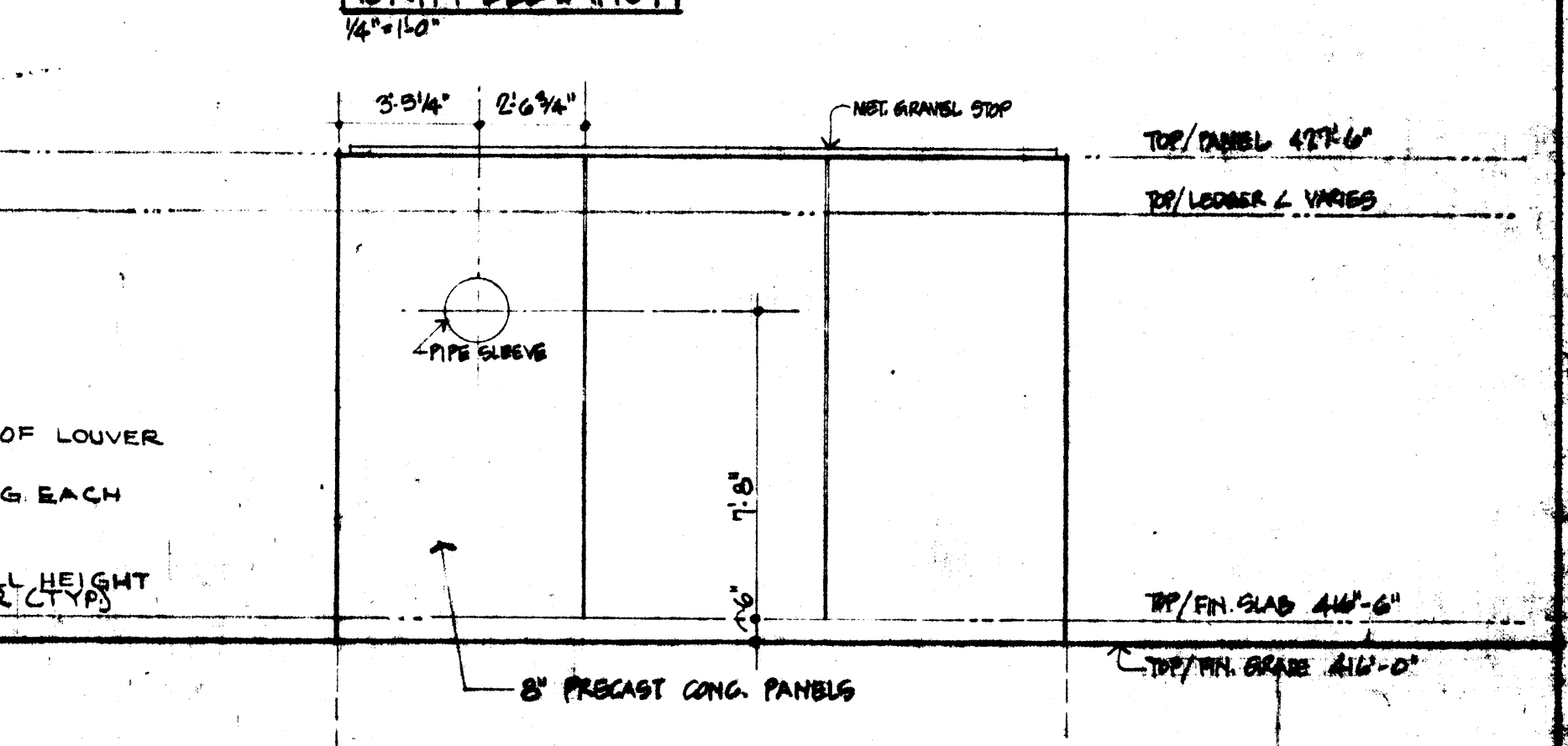
EAST ELEVATION
1/4" = 1'-0"



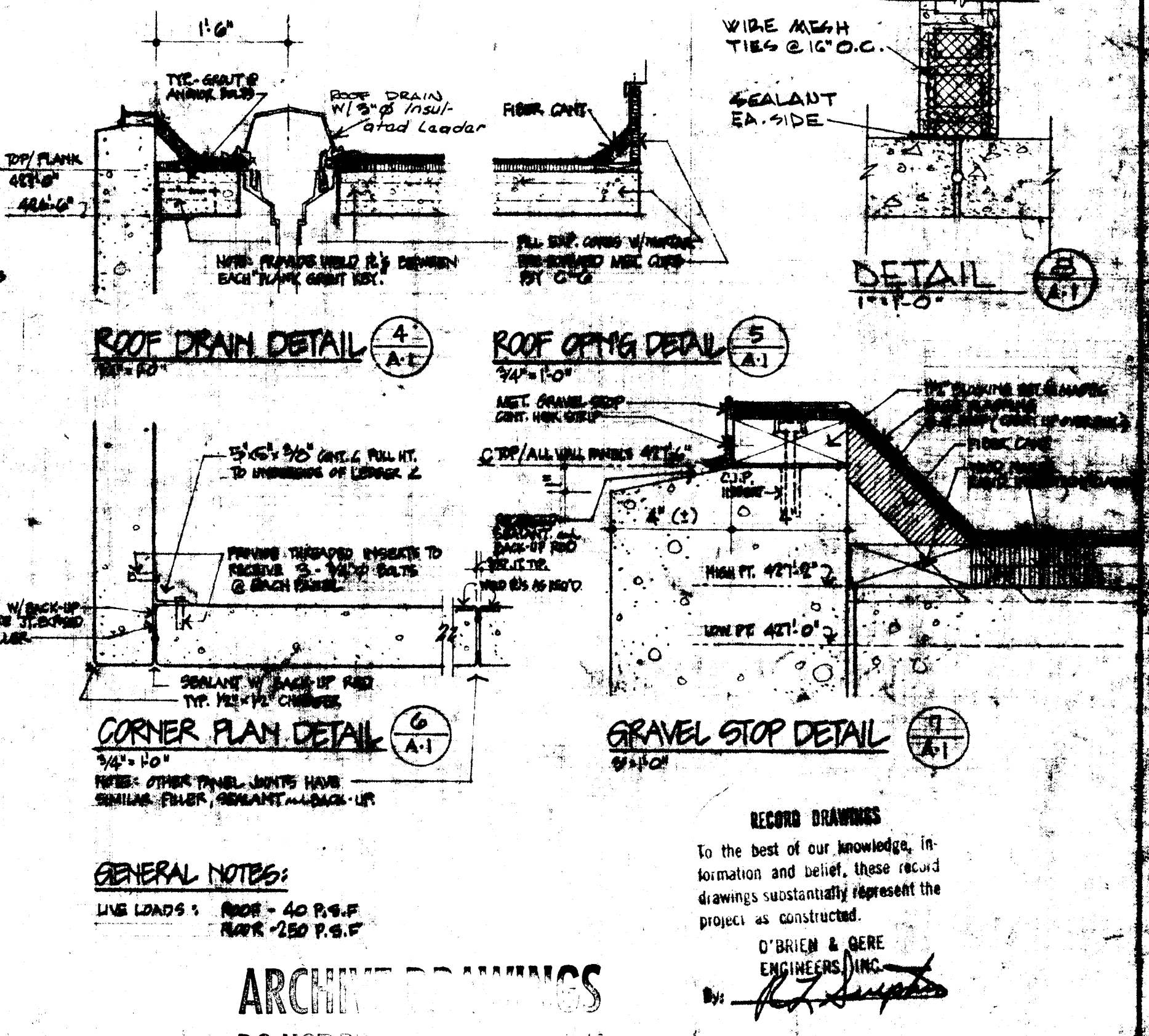
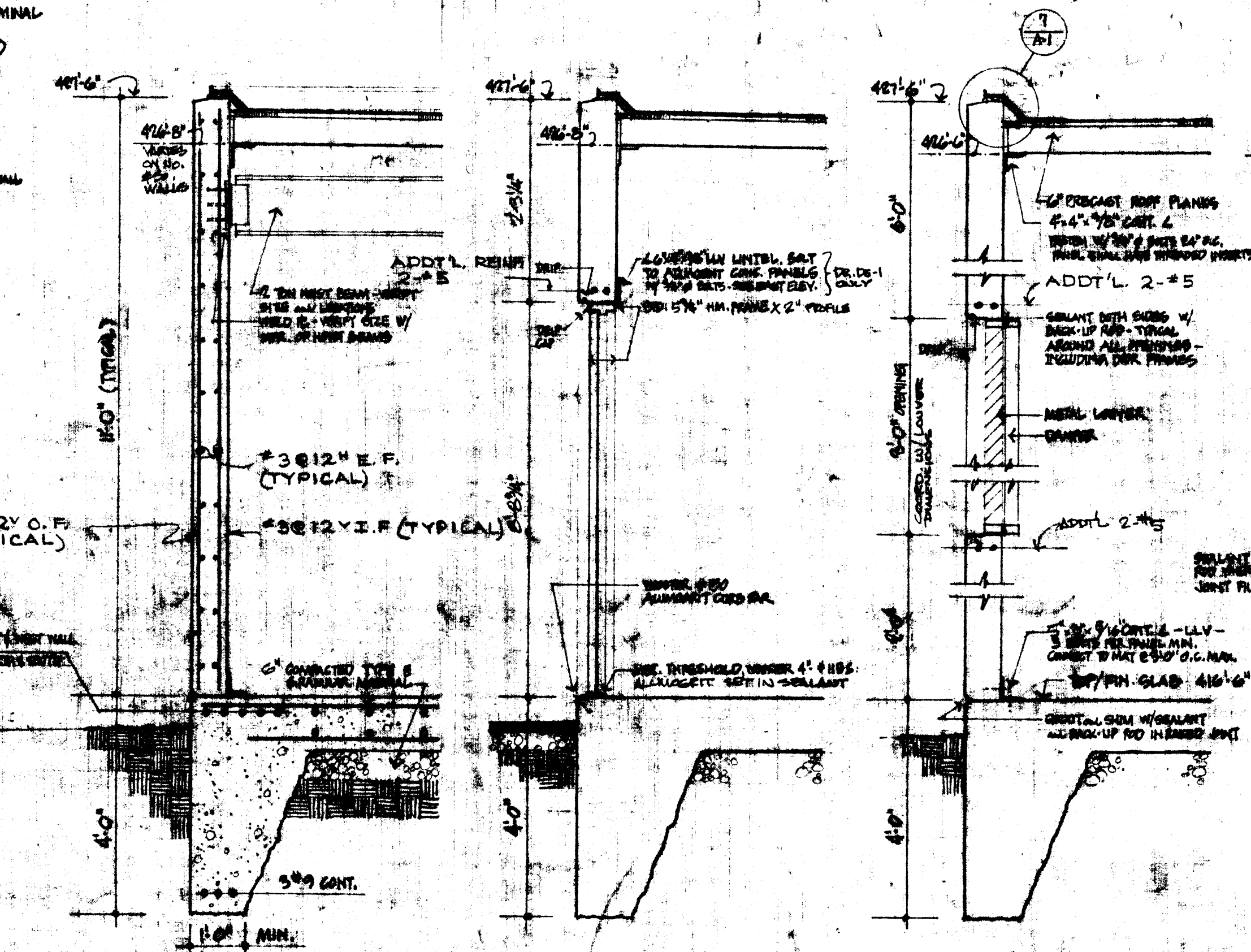
NORTH ELEVATION
1/4" = 1'-0"



WEST ELEVATION
1/4" = 1'-0"



SOUTH ELEVATION
1/4" = 1'-0"



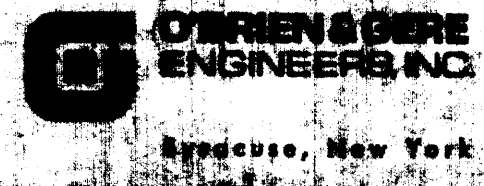
GENERAL NOTES:
LIVE LOADS: ROOF - 40 P.S.F.
FLOOR - 250 P.S.F.

ARCHITECTURAL
DO NOT REMOVE FROM OFFICE
THIS STAMP IS IN RED INK

RECORD DRAWINGS
To the best of our knowledge, information and belief, these record drawings substantially represent the project as constructed.
O'BRIEN & GERE
ENGINEERS/ARCHITECTS
By: [Signature]
Inspector: J.T.D. File No.:
Made By: G.B.C. Date: 2-18-76
Checked By: W.P.P. Date: 3-18-76



NO.	DATE	REVISION	INT.

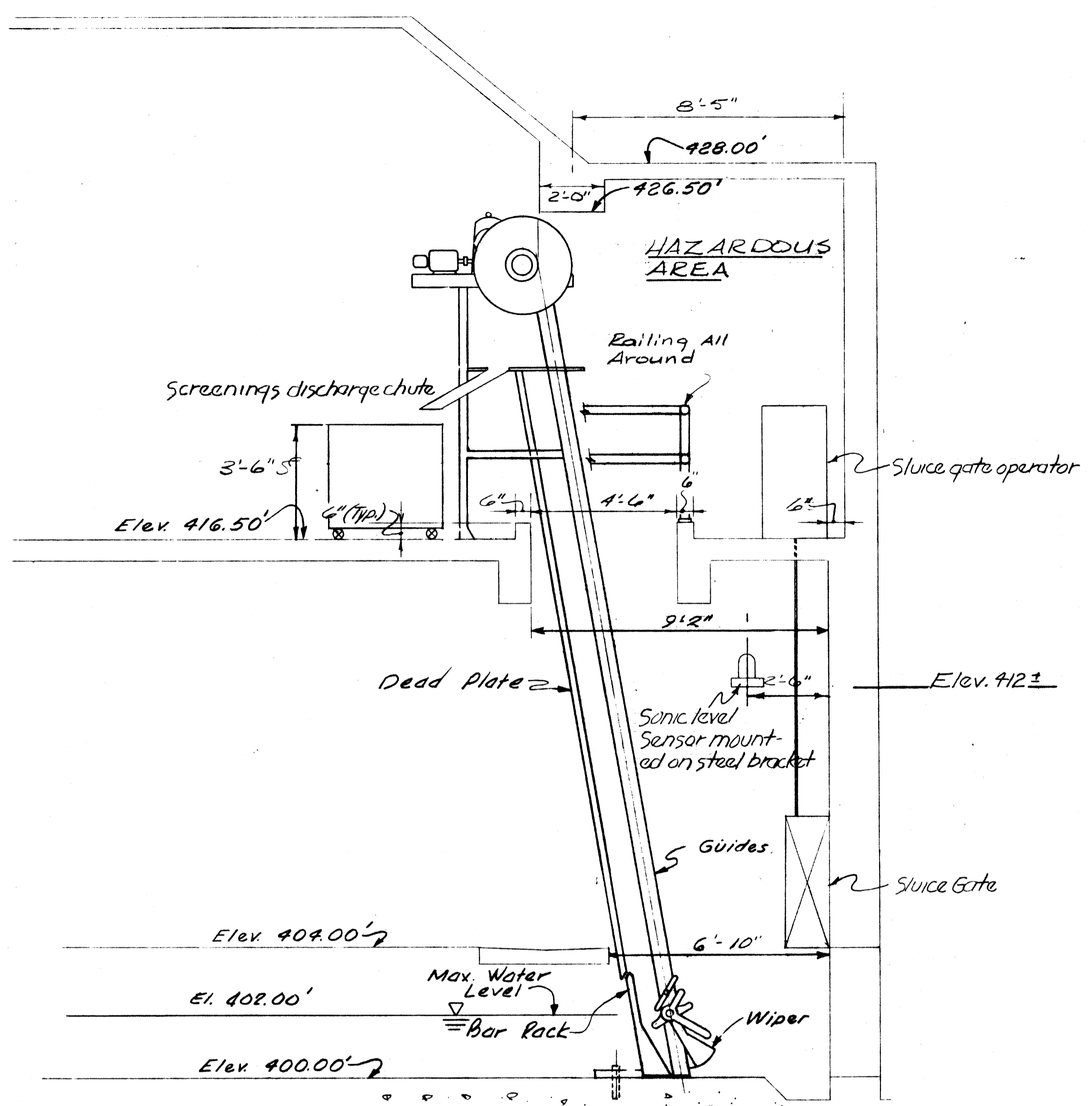


COUNTY OF ONONDAGA, NEW YORK
CONTRACTS NO. 6 & 7
MISCELLANEOUS IMPROVEMENTS
MEADOWBROOK LIMESTONE S.T.F.

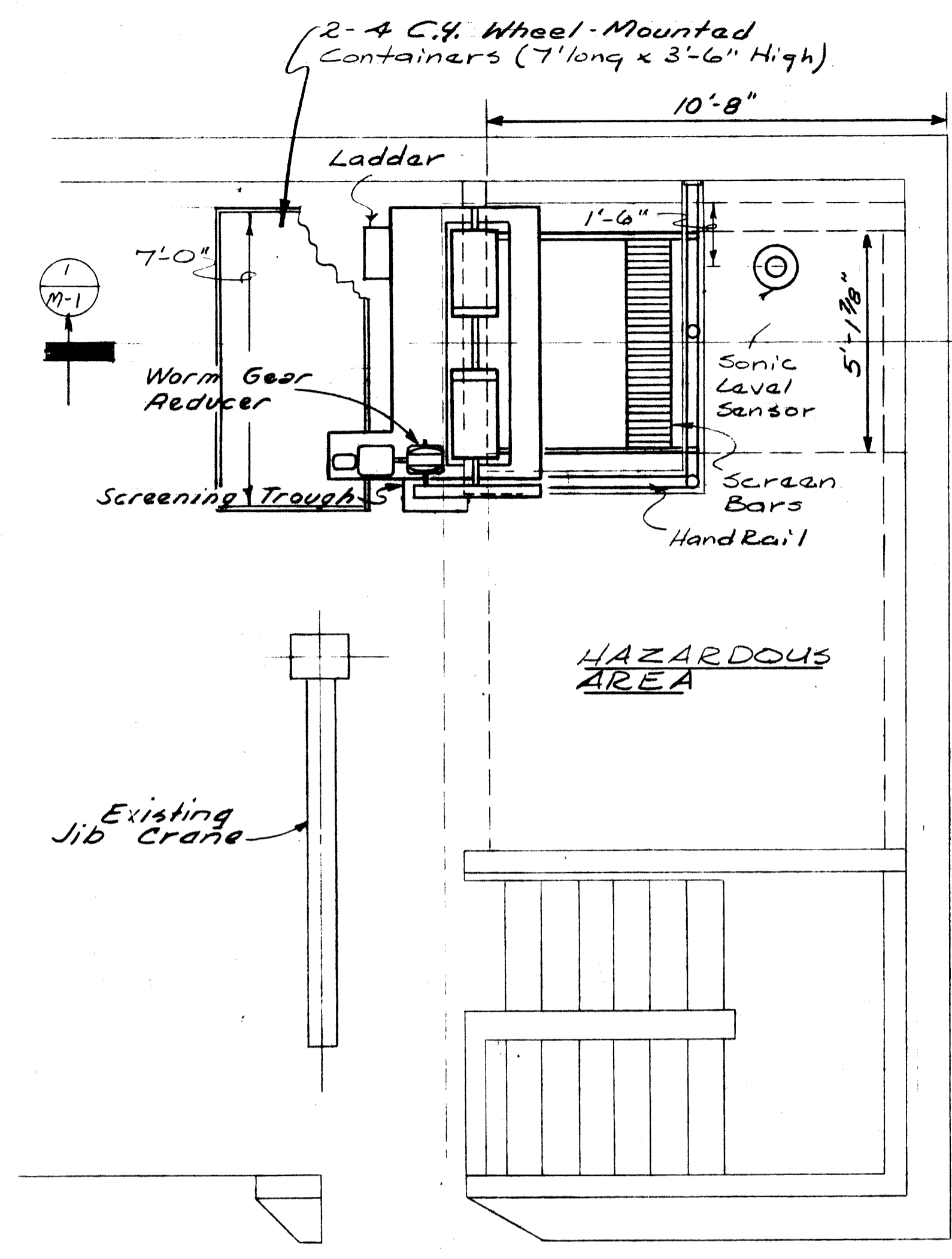
ARCHITECTURAL
BLOWER BUILDING
PLANS & DETAILS

FILE NO.
115.149-252
DATE
AUGUST 13, 1972

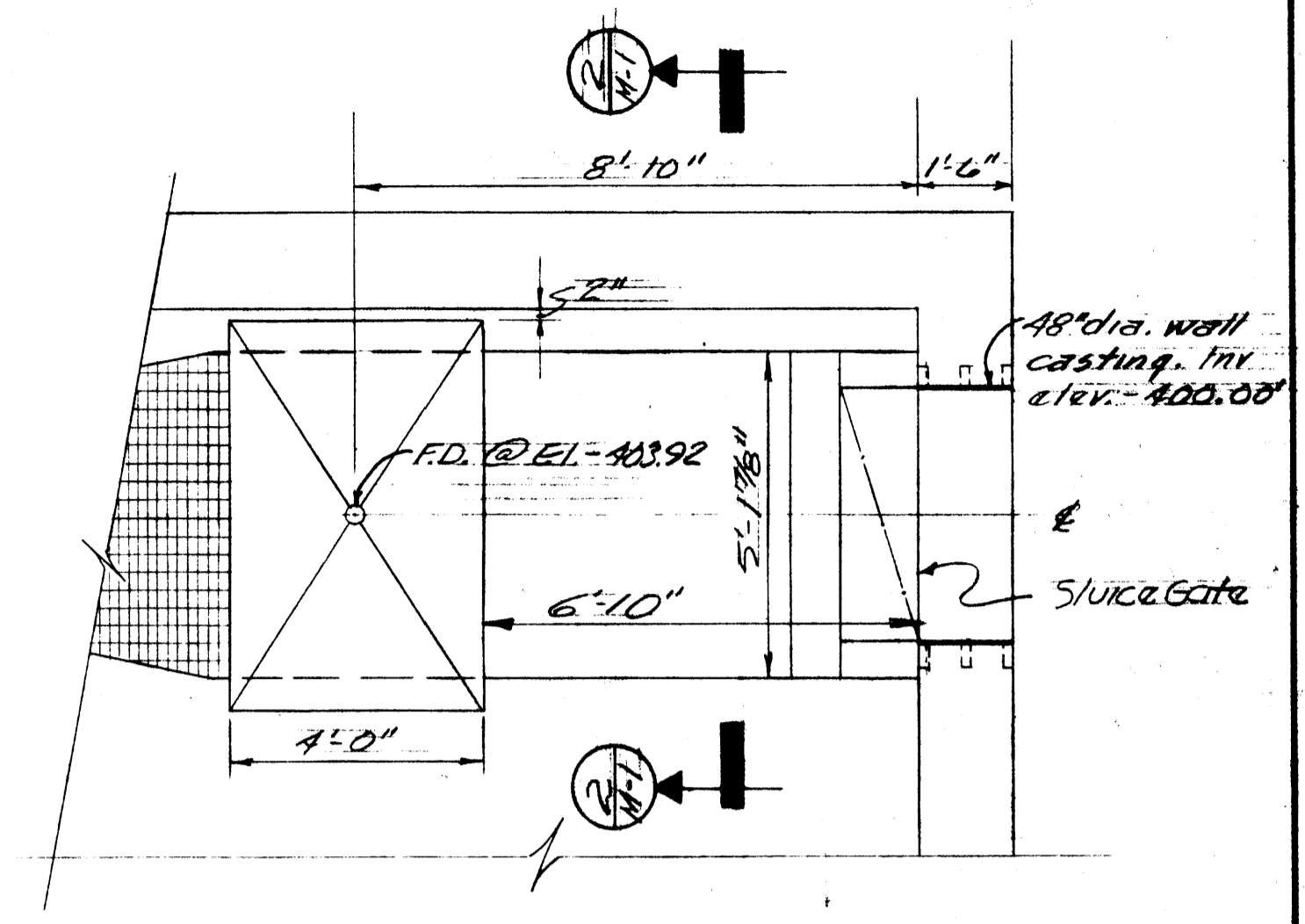
Called North



INFLUENT PUMP STATION SECTION (1/M-1)
Scale: 3/8"=1'-0"

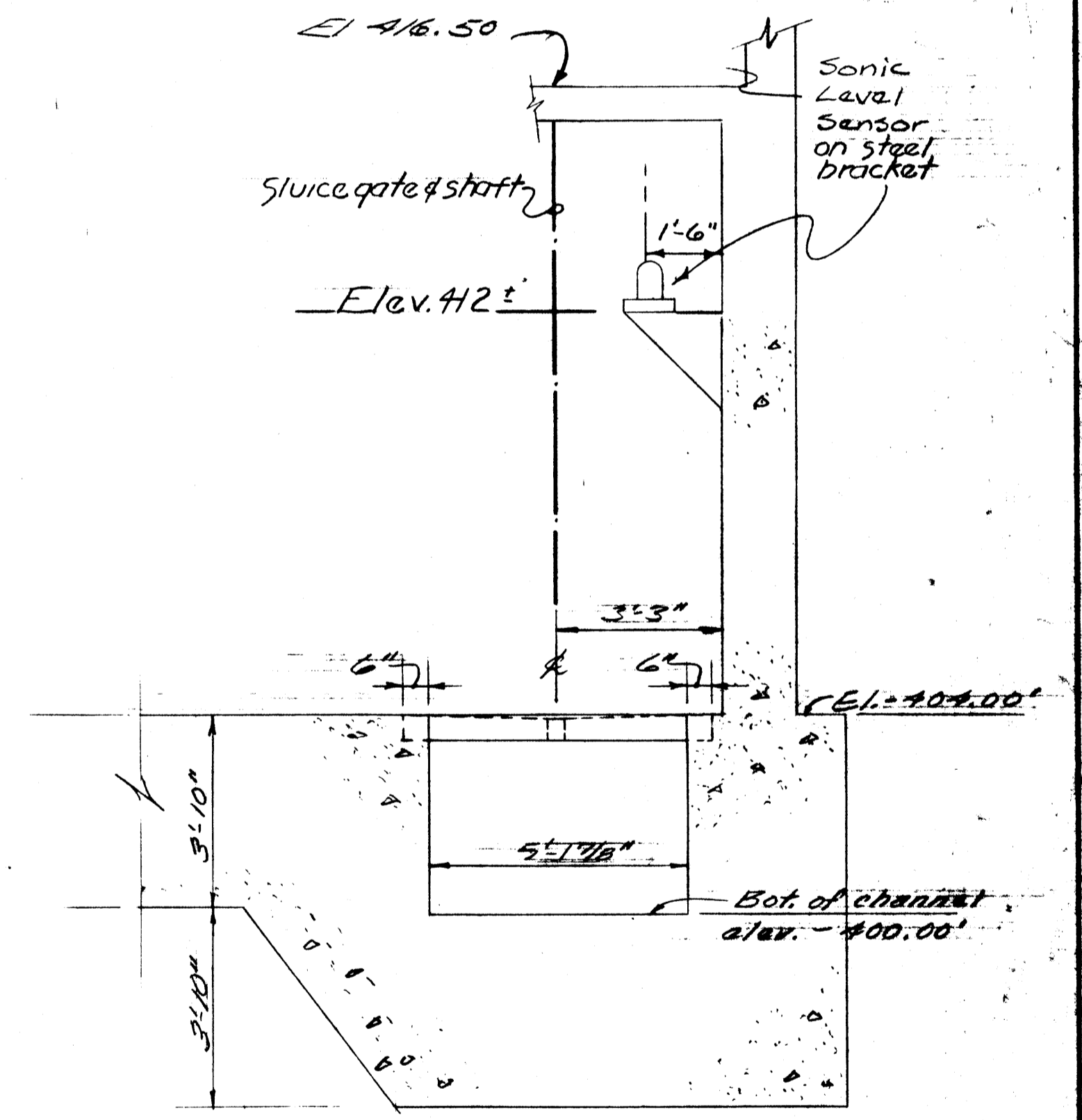


INFLUENT PUMP STATION AT EL. 416.50' PARTIAL PLAN (1/M-1)
Scale: 3/8"=1'-0"

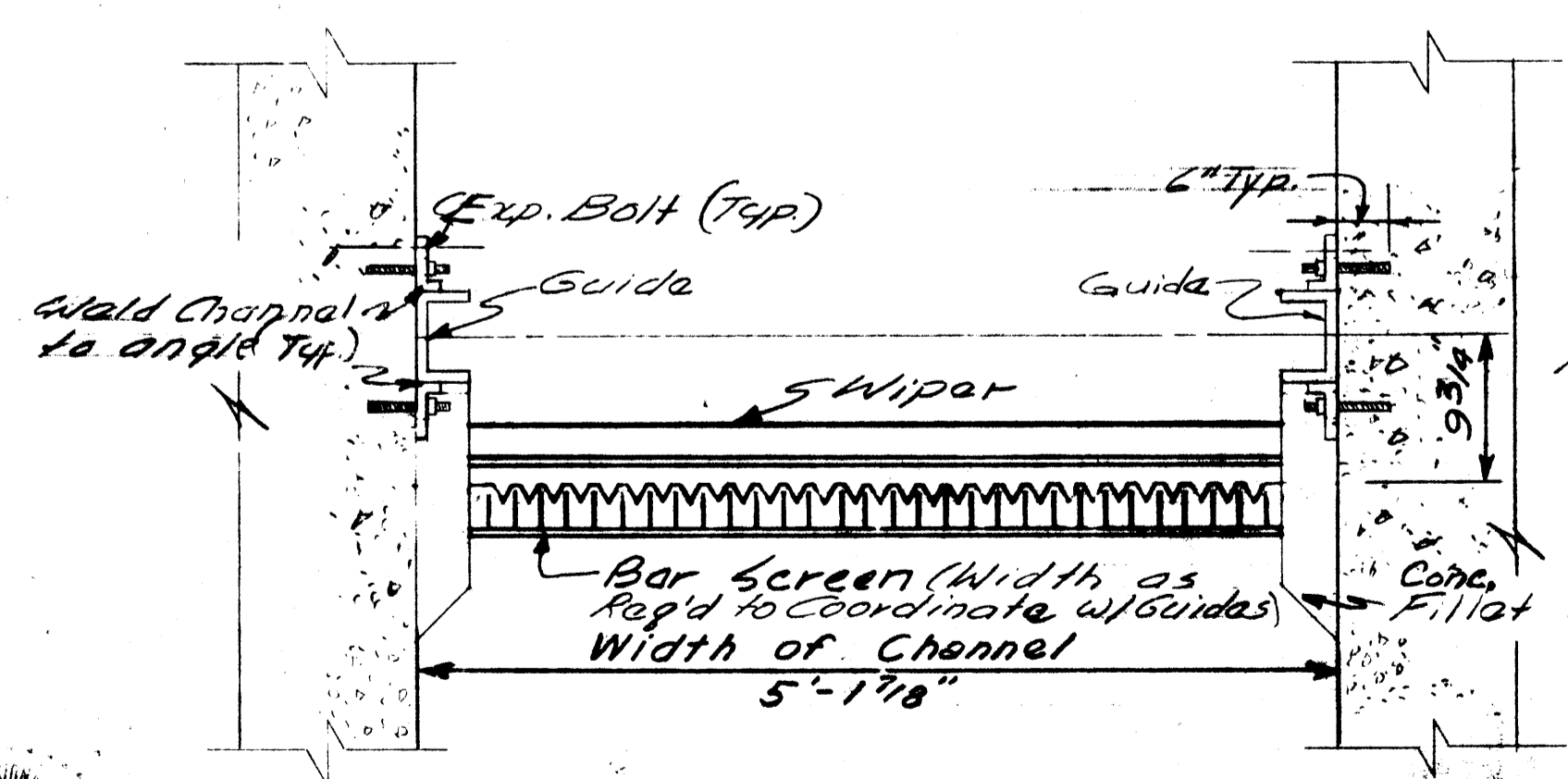


PARTIAL PLAN (2/M-1) @ EL. 404.00'
Scale: 3/8"=1'-0"

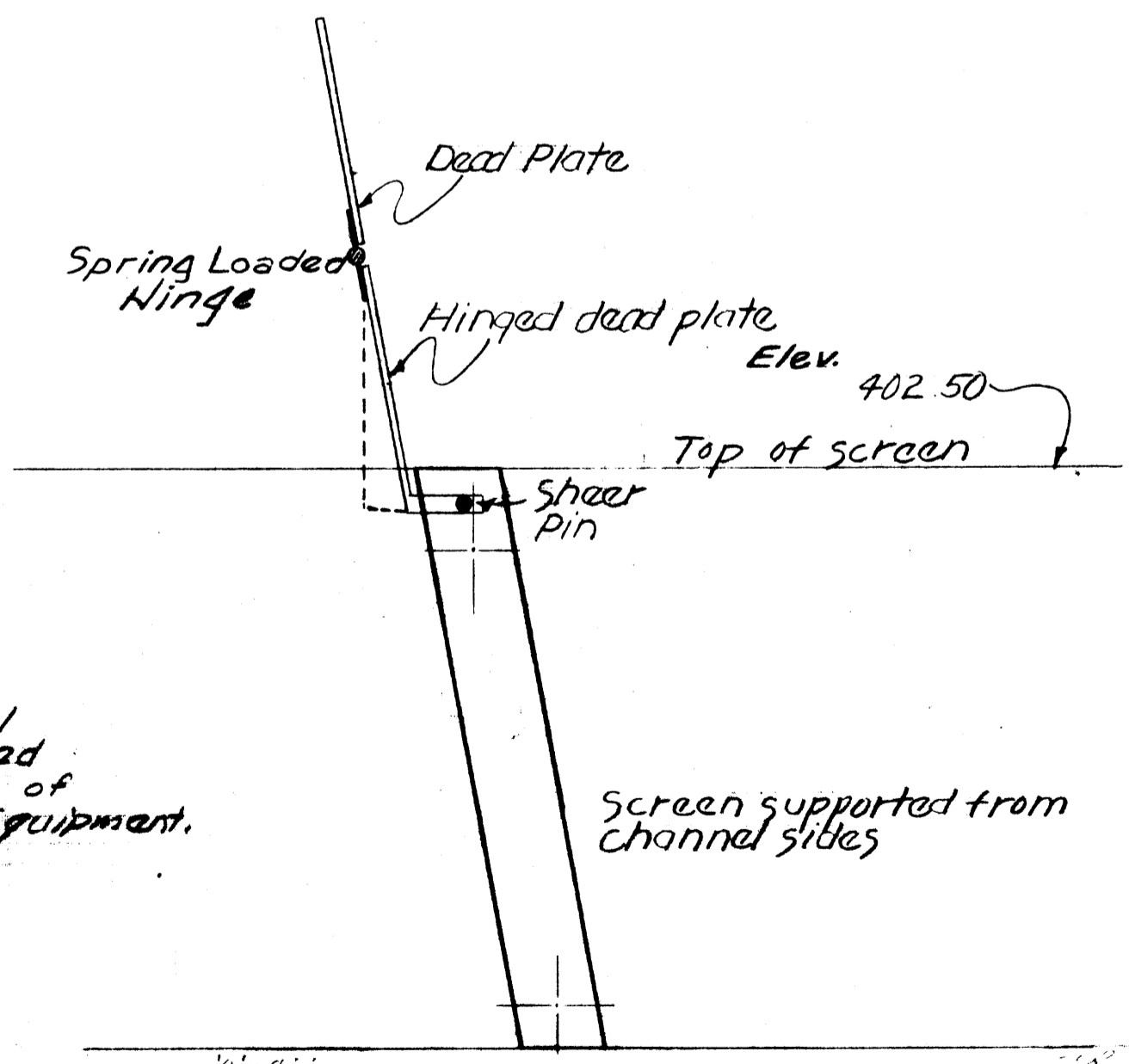
NOTE:
Provide Wall Mounted Sonic Level Amplifier in Mechanical Equipment Room (See Sheet E-2 for Location)



SECTION (2/M-1)
Scale: 3/8"=1'-0"



CHANNEL DETAIL
Not to Scale



EMERGENCY OVERPASS DETAIL
Not to Scale

Note: Flow thru Channel Must be Maintained during installation of Screen & Assoc. Equipment.



In charge of WSD
Designed by EJA Checked by WSP
Made by DAB

NO.	DATE	REVISION	INIT.
7/25/76		Added Level Sensor	AEN
8/15/76		Added Dumpster Containers	RMS

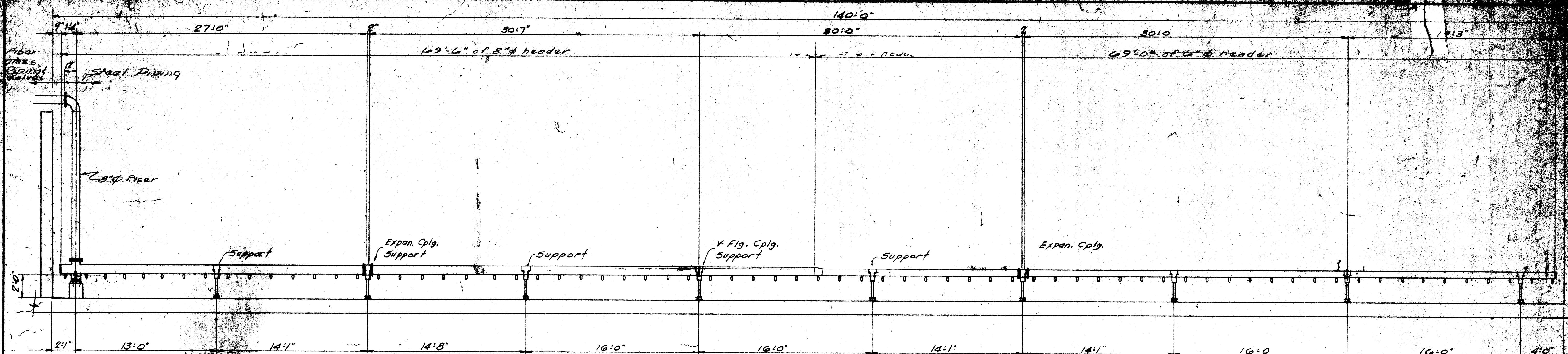
O'BRIEN & GERE ENGINEERS, INC.
Syracuse, New York

COUNTY OF ONONDAGA, NEW YORK
CONTRACTS NO. 6 & 7
MISCELLANEOUS IMPROVEMENTS
MEADOWBROOK LIMESTONE S.T.F.

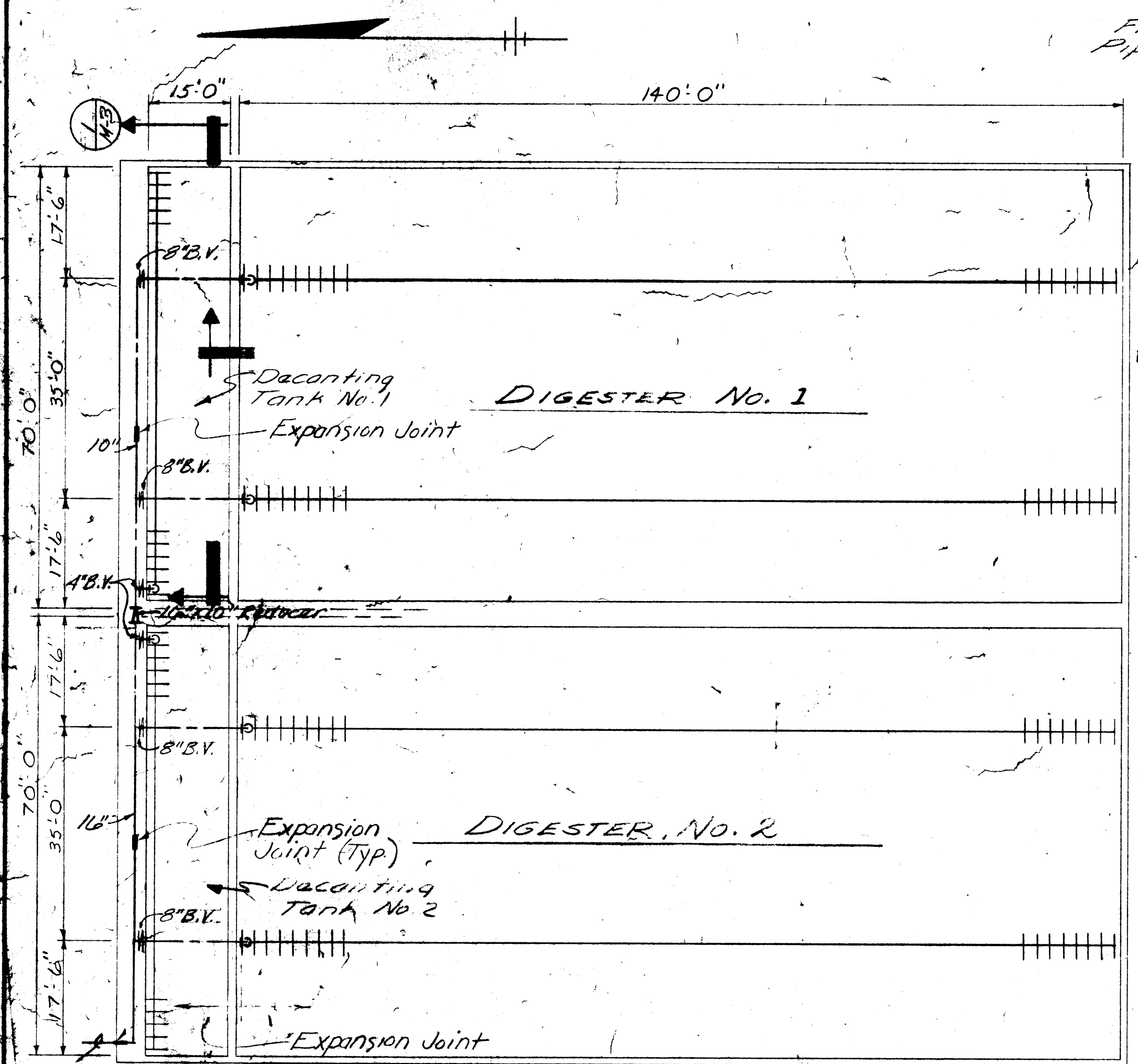
MECHANICAL
SCREENING EQUIPMENT
INFLUENT PUMP STATION

FILE NO.
115.149-253
DATE
AUGUST 25, 1976
M-1

RECORD DRAWINGS
To the best of our knowledge, information and belief these record drawings accurately represent the project as constructed.
Checked by WSP Date 2-18-76
By R.L. Smith

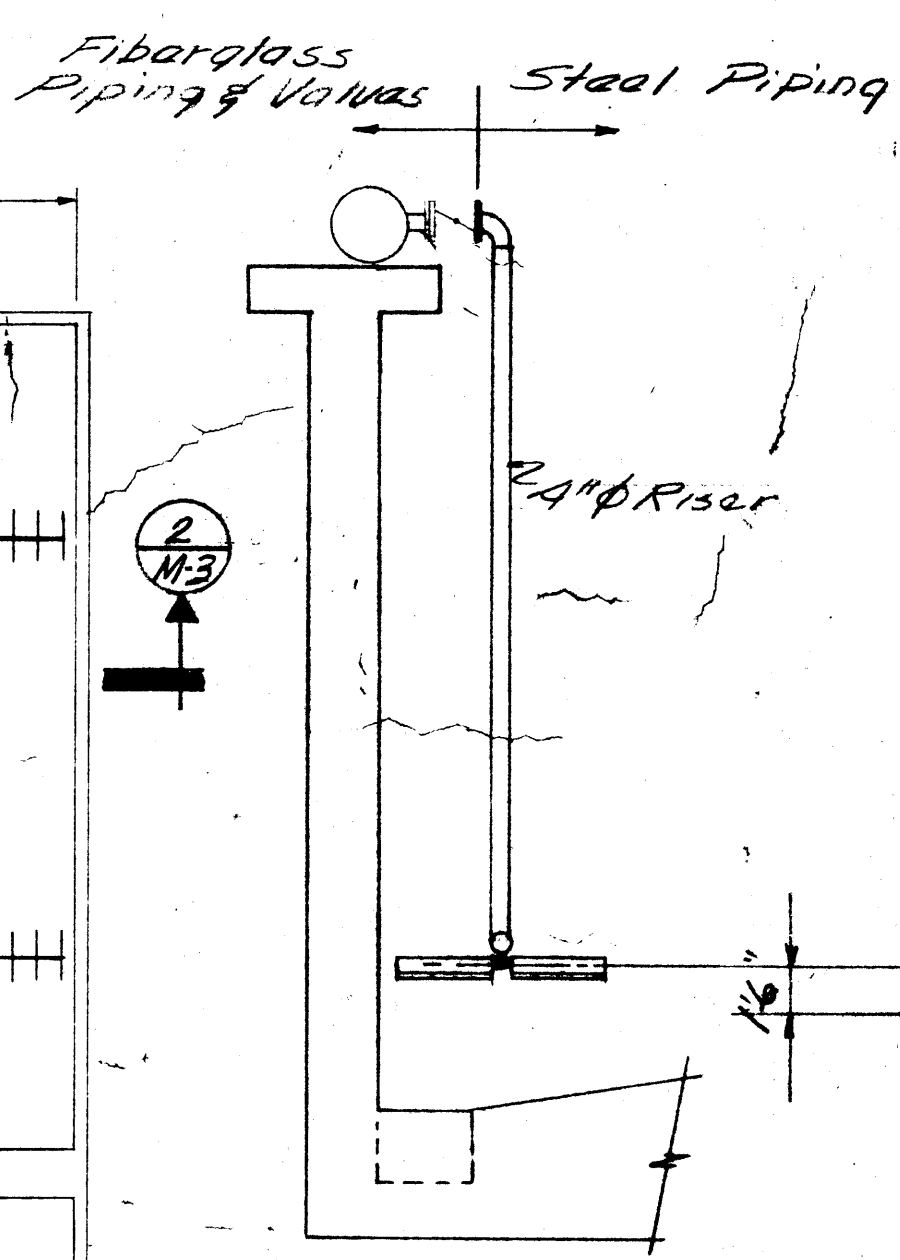


AERATION HEADER SECTION (2)
 (4 Required)
 NTS

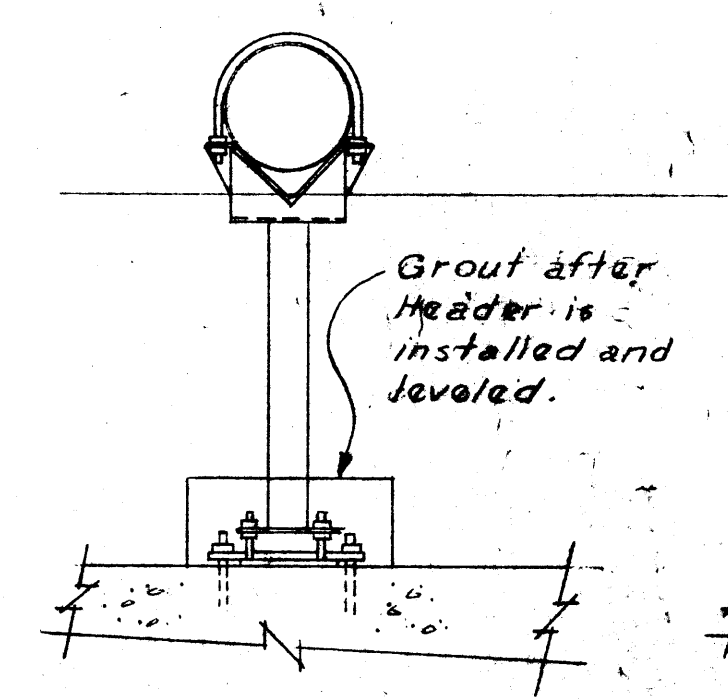


PLAN VIEW
AERATION HEADER PLACEMENT
 NTS

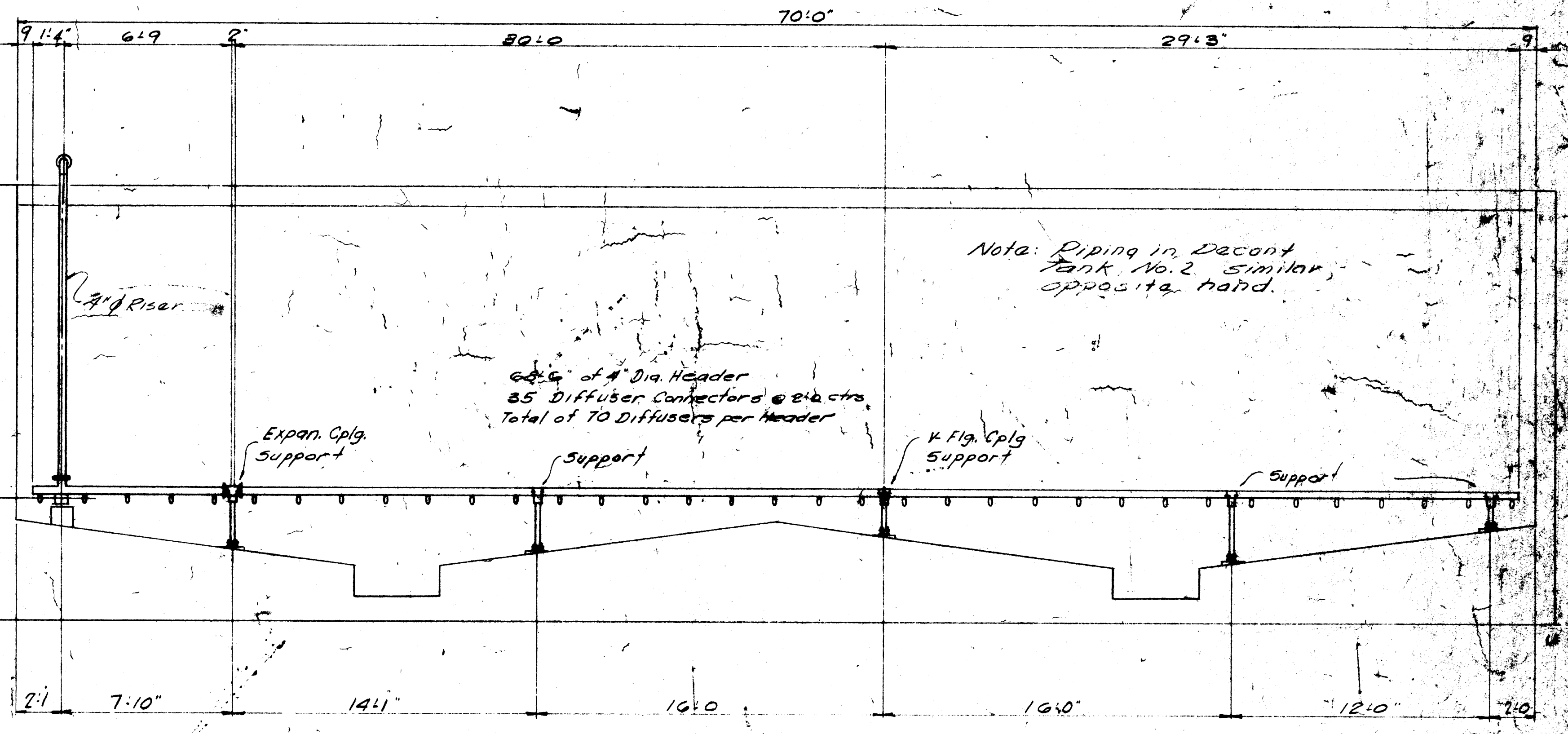
16" Schedule 40 Steel Pipe Between Blower Bay & Decant Tank



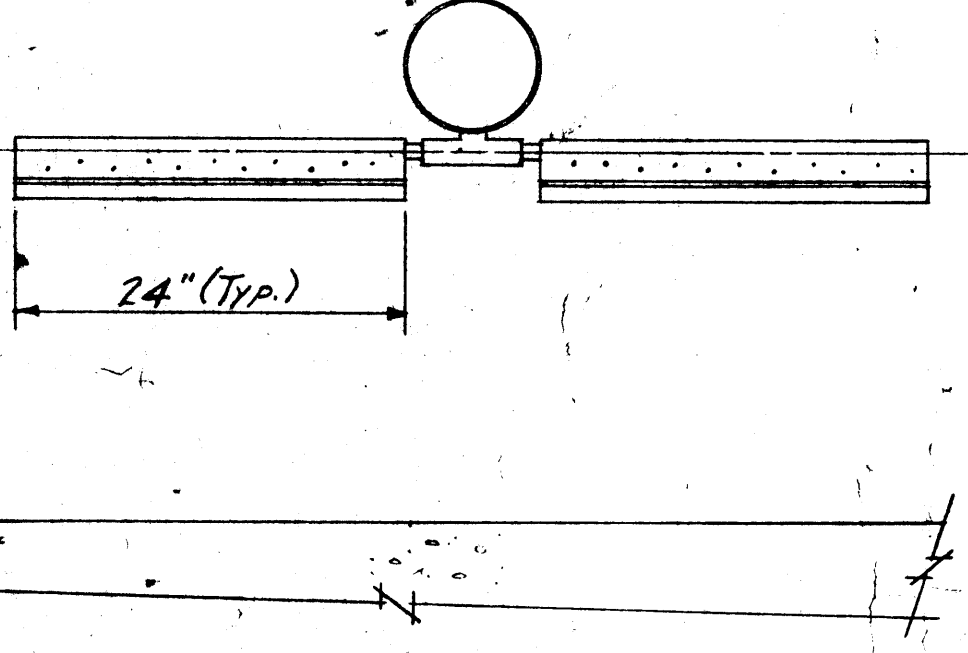
END VIEW OF SECTION (1)
 NTS



Typical Header Support
 NTS



DECANTING TANK AERATION HEADER SECTION (1)
 (2 Required)
 NTS



Typical Diffuser Placement
 NTS

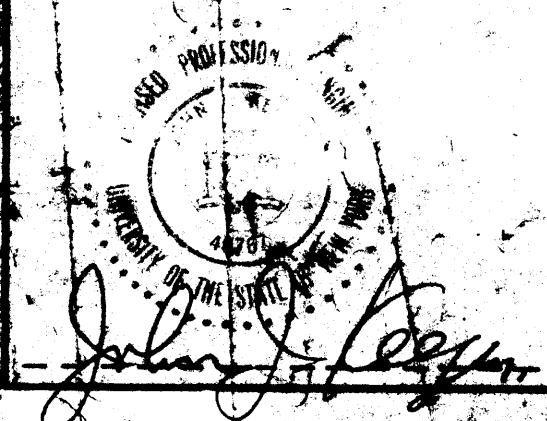
Note: Piping in Decant Tank No. 2 similar, opposite hand.

6\"/>

- Notes:**
1. All Headers, and Supports to be 304/316 Stainless Steel
 2. Diffusers shall be Sanitaire Model D-2 or Approved Equal.
 3. All Work shown on this sheet is included under Payment Item #2. The work of this item also includes Fiberglass Piping and Valves in the Decant Tank Area as shown.

RECORD DRAWINGS
 To the best of our knowledge, information and belief, these record drawings substantially represent the project as constructed.

Inspected by: *F.T.D.* Date: *2-18-76*
 Made by: *GBC* Date: *2-18-76*
 Checked by: *C.W.P.* Date: *2-18-76*

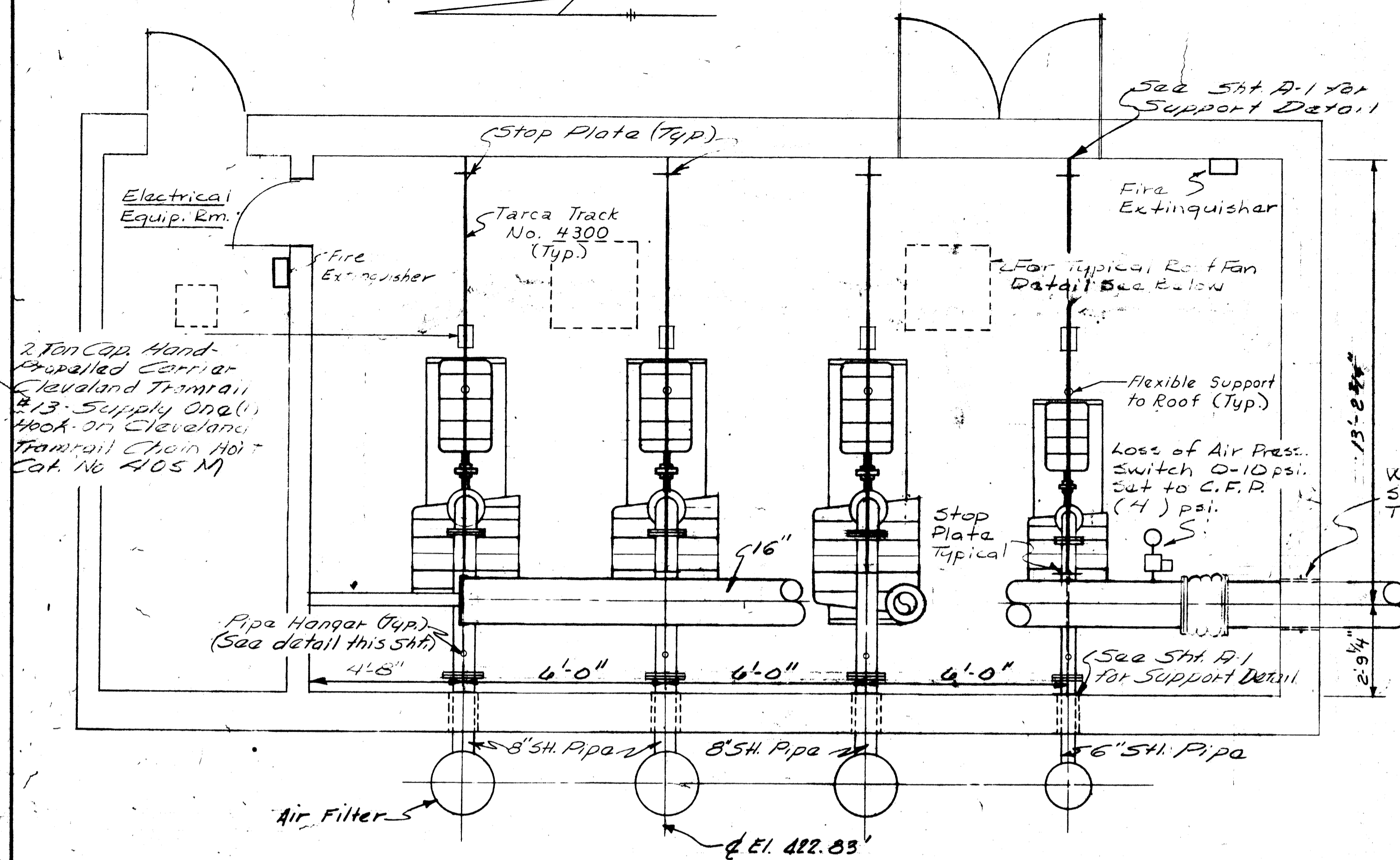


In charge of: <i>[Signature]</i>	NO.	DATE	REVISION	INIT.
Designed by: <i>E.S.H.</i> Checked by: <i>[Signature]</i>				
Made by: <i>LLP</i>				

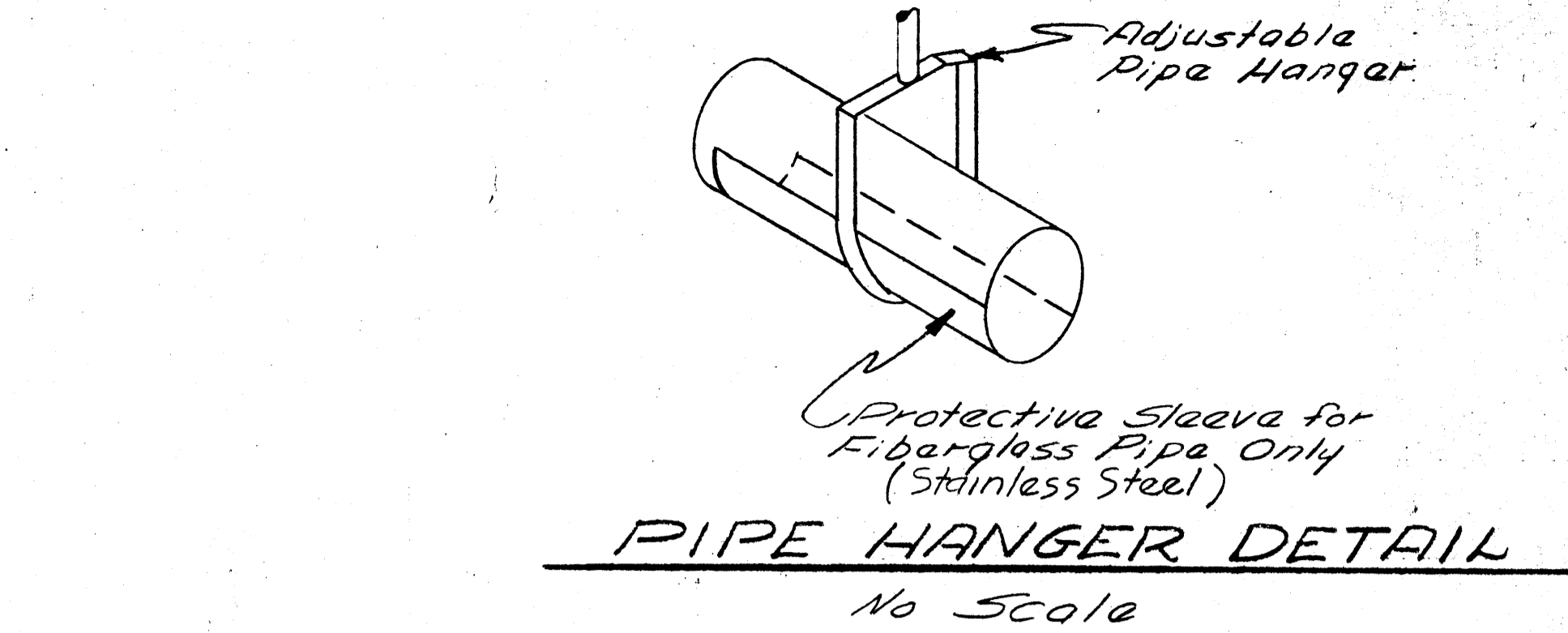
O'BRIEN & GERE ENGINEERS, INC.
 Syracuse, New York

COUNTY OF ONONDAGA, NEW YORK
 CONTRACTS NO. 6 & 7
 MISCELLANEOUS IMPROVEMENTS
 MEADOWBROOK LIMESTONE S.T.F.

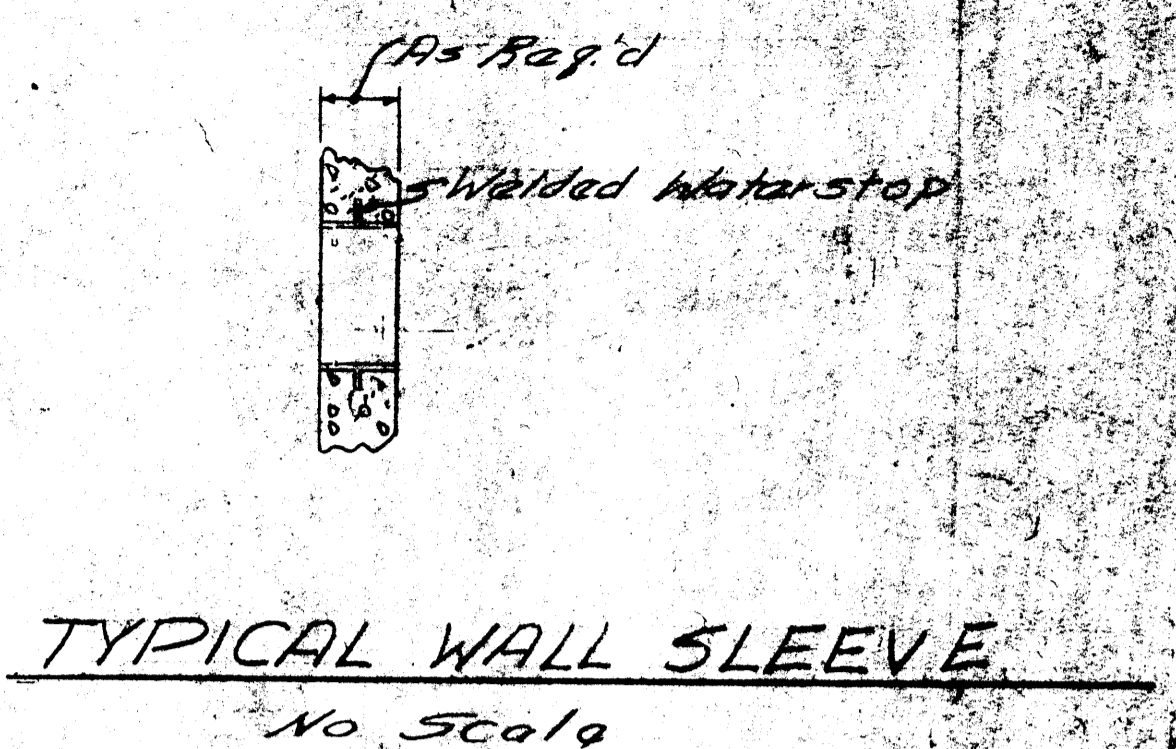
MECHANICAL
AEROBIC DIGESTER
AIR DIFFUSION SYSTEM - ALT. II



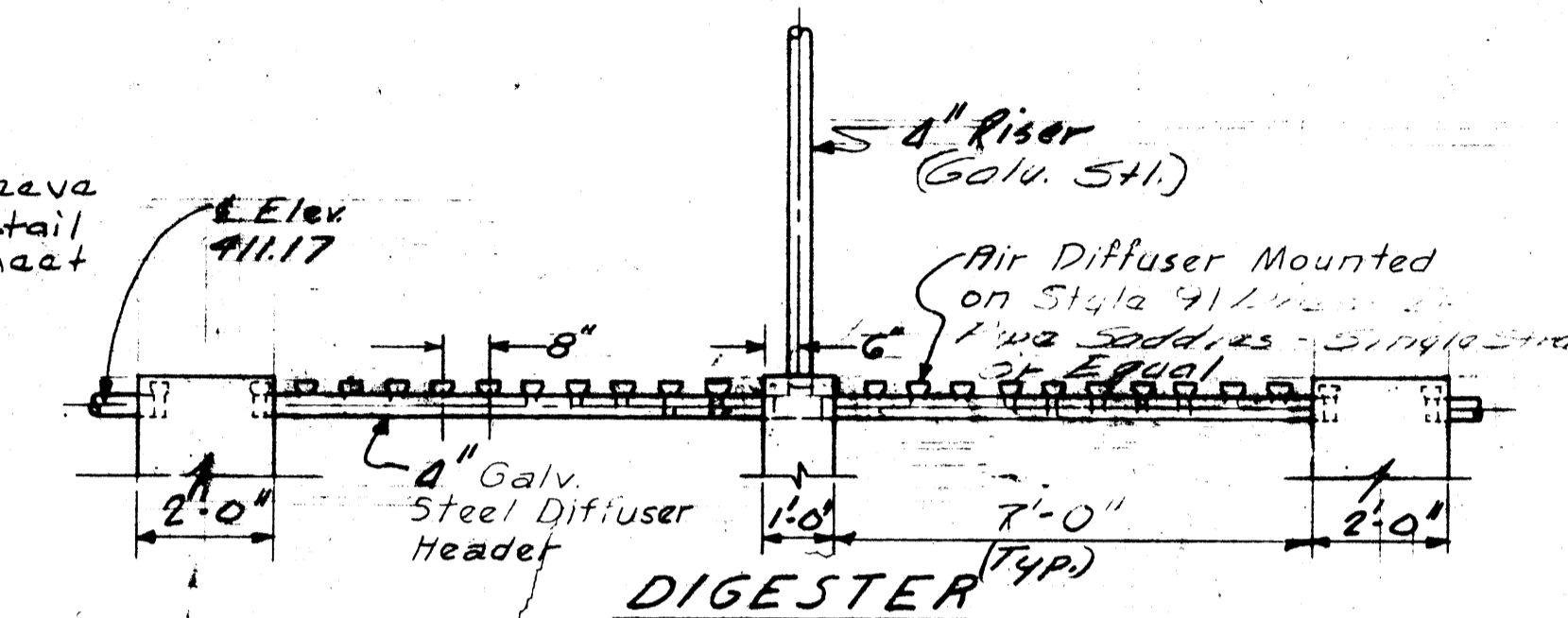
BLOWER BLDG. PLAN
Scale: 3/8" = 1'-0"



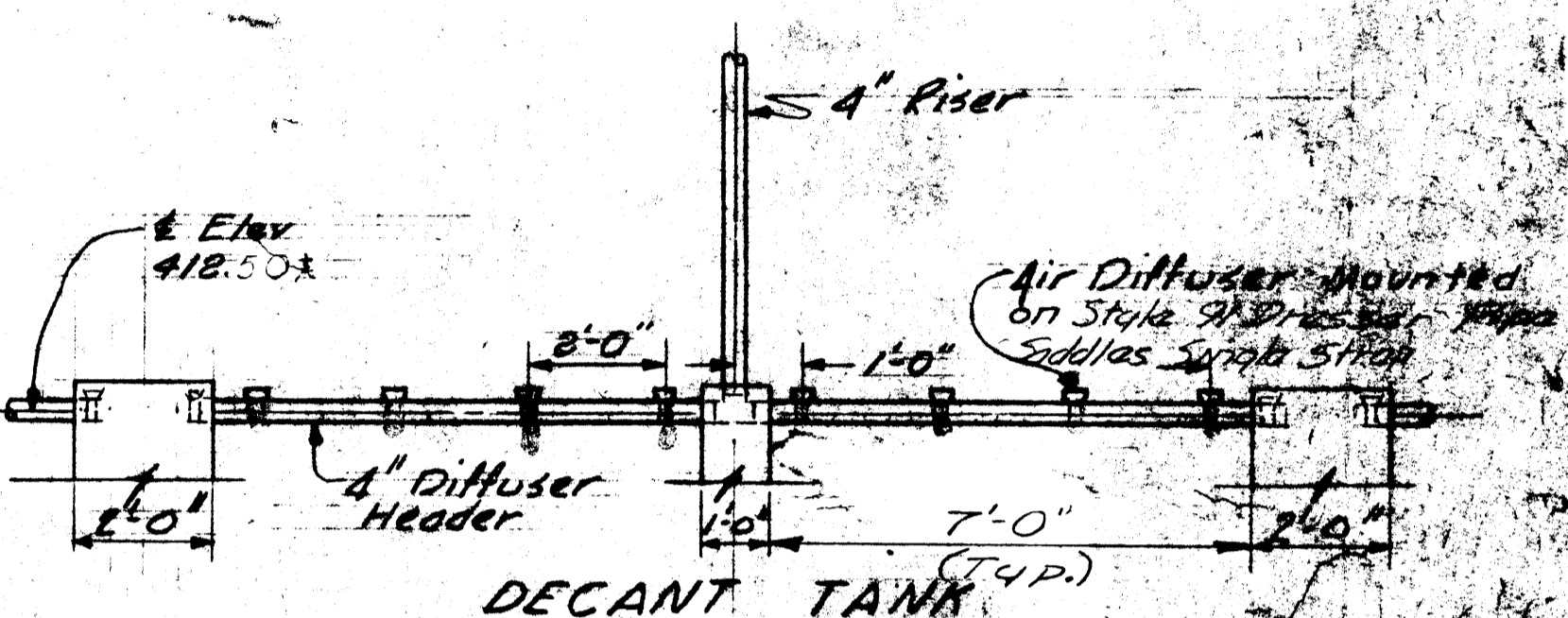
PIPE HANGER DETAIL
No Scale



TYPICAL WALL SLEEVE
No Scale

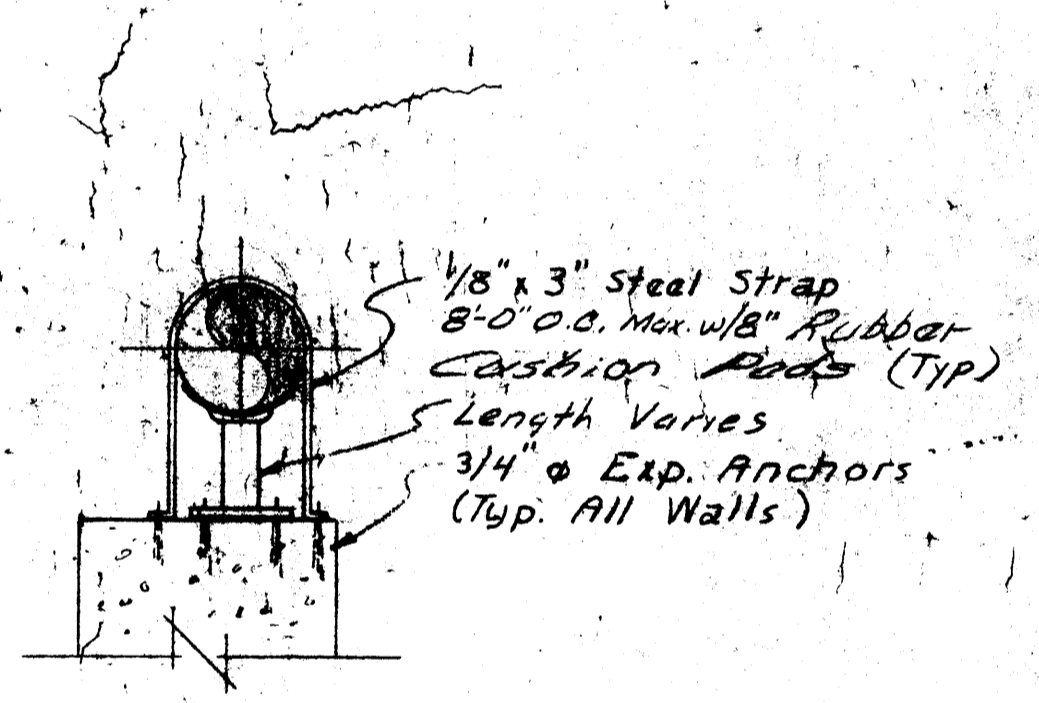


DIGESTER AIR LINE DRAIN
No Scale

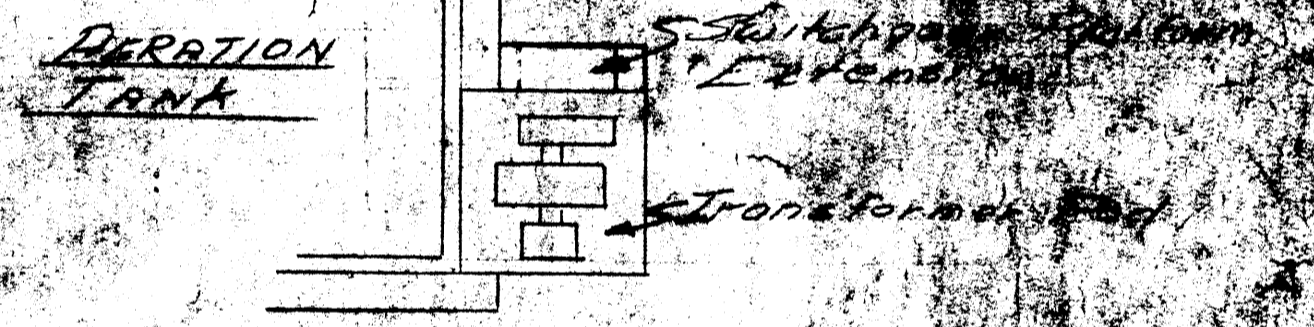


DECANT TANK AIR LINE DRAIN
No Scale

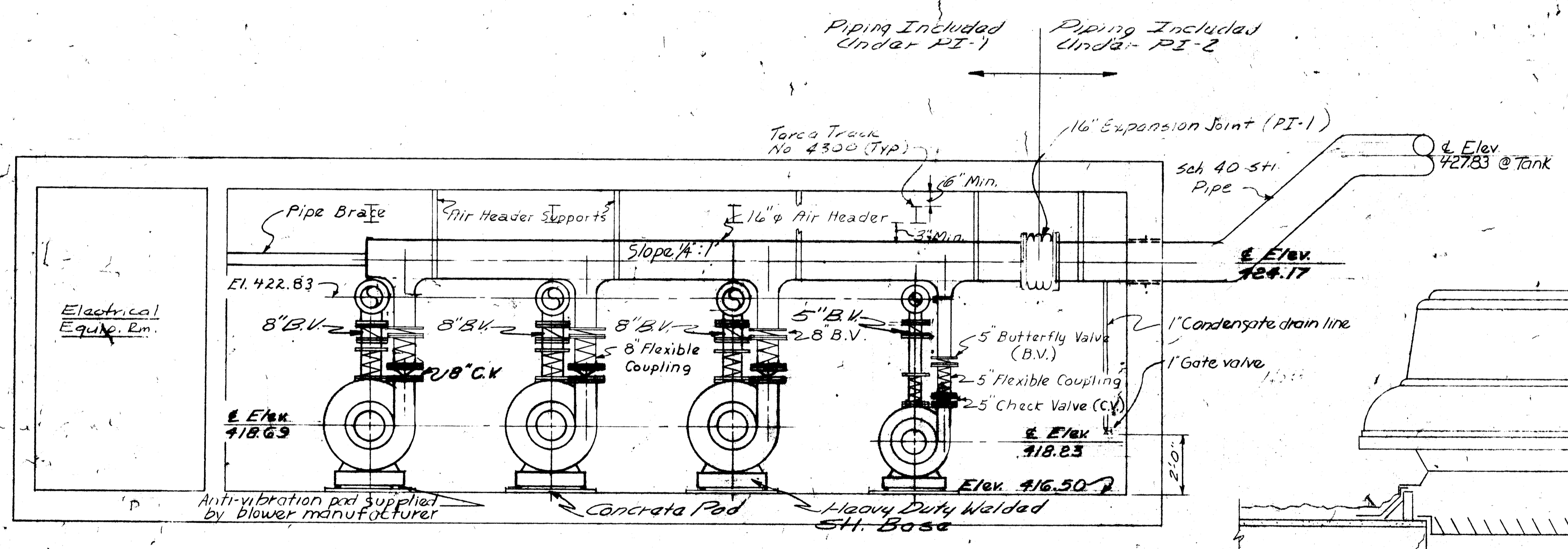
AIR DIFFUSERS - ALT. NO. 1
3/8" = 1'-0"



SECTION 1
N.T.S.

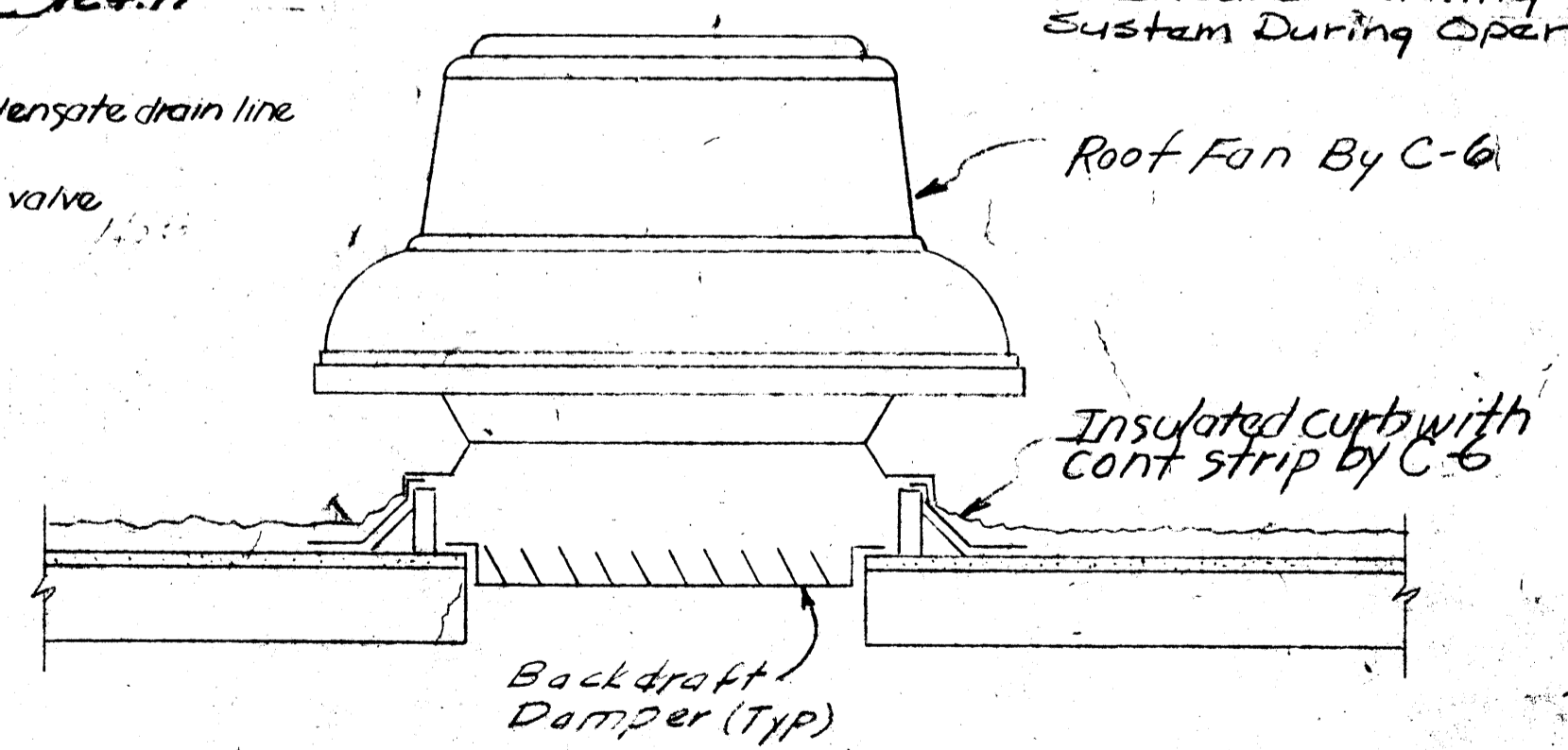


SWITCHGEAR PLATFORM EXTENSION PLAN
Scale: 1/8" = 1'-0"



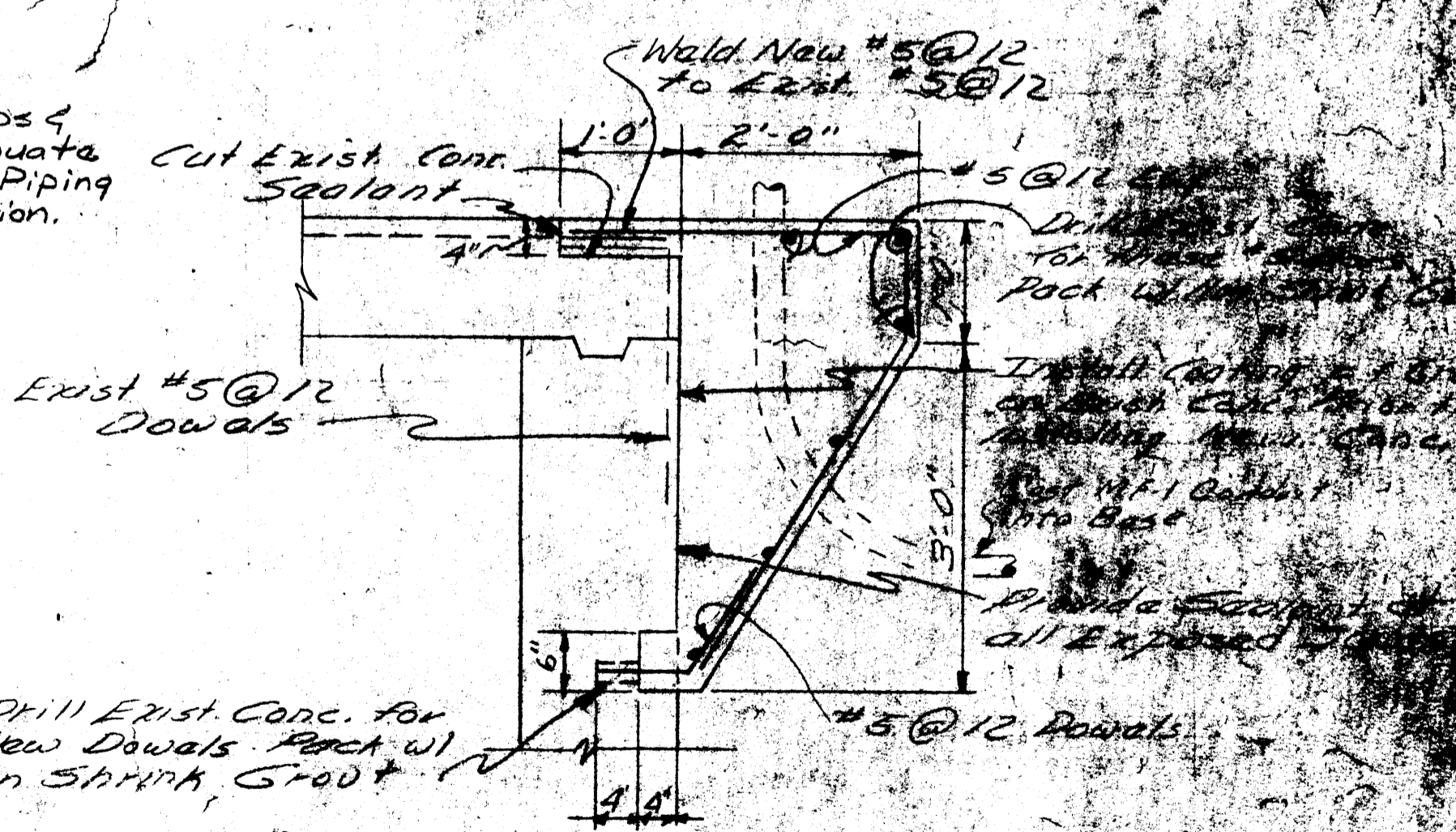
BLOWER BLDG. SECTION
Scale: 3/8" = 1'-0"

NOTE:
Verify Exact Location of Locator Pins with Blower Manufacturer.



TYPICAL ROOF FAN DETAIL
No Scale

NOTE:
Spacing of Header Straps & Supports Must be Adequate to Ensure Stability of Piping System During Operation.

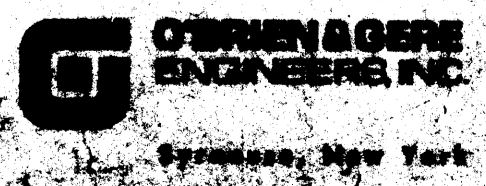


SWITCHGEAR PLATFORM EXTENSION
Scale: 1/8" = 1'-0"



In charge of WJD
Designed by EJA Checked by WJD
Made by DAR

NO.	DATE	REVISION	INT.



COUNTY OF ONONDAGA, NEW YORK
CONTRACTS NO. 6 & 7/
MISCELLANEOUS IMPROVEMENTS
MEADOWBROOK LIMESTONE S.T.F.

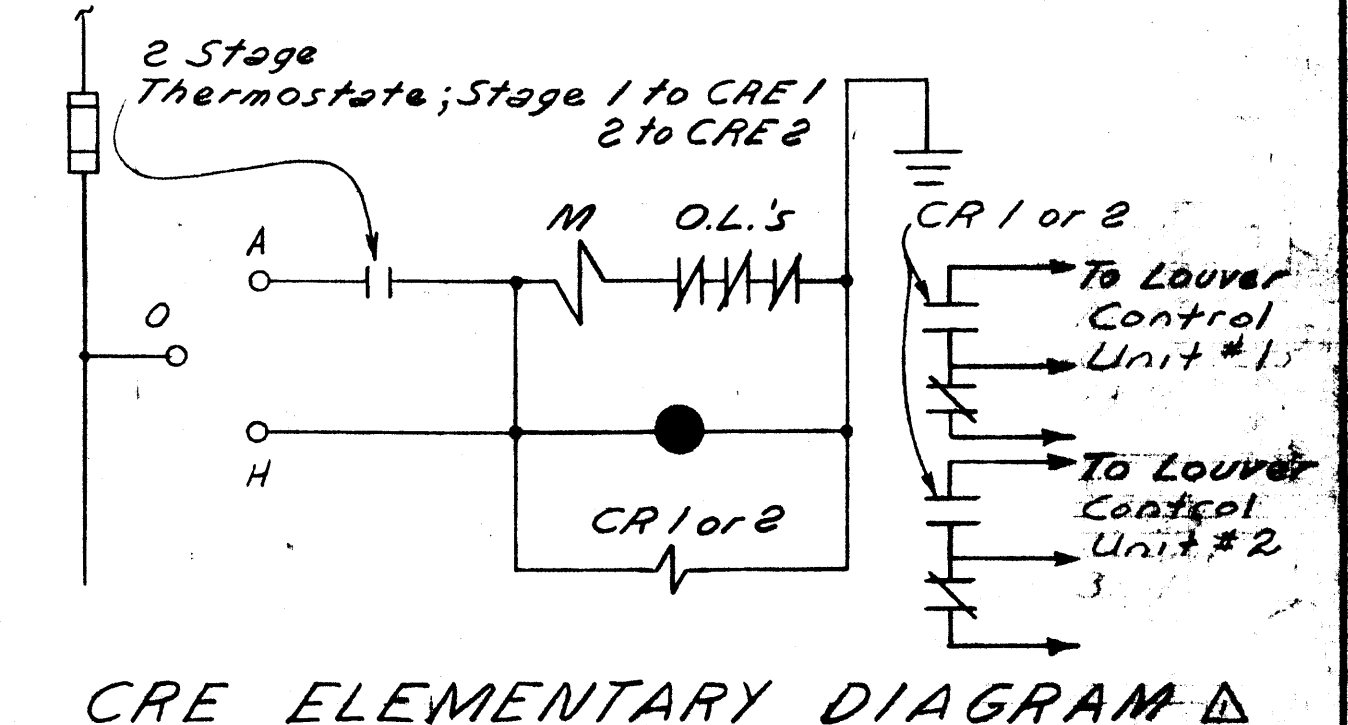
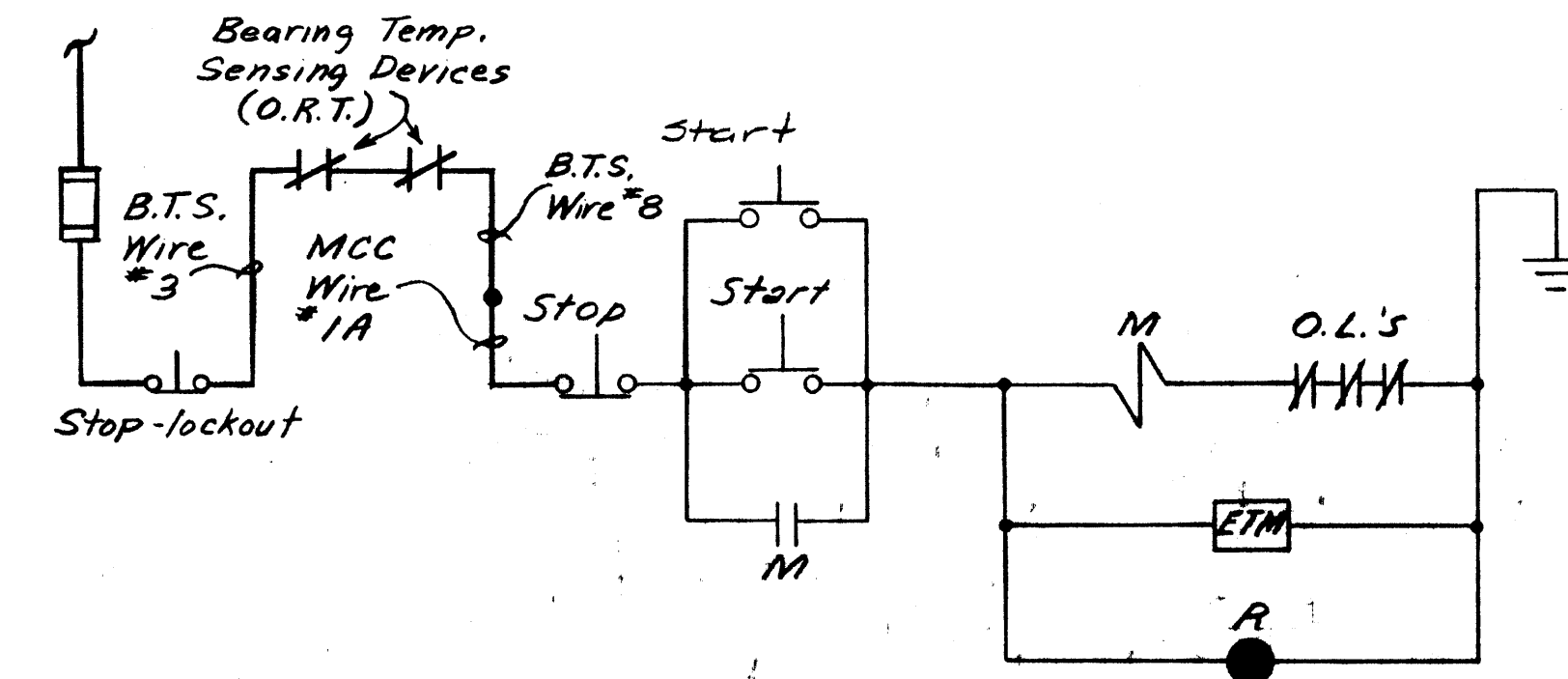
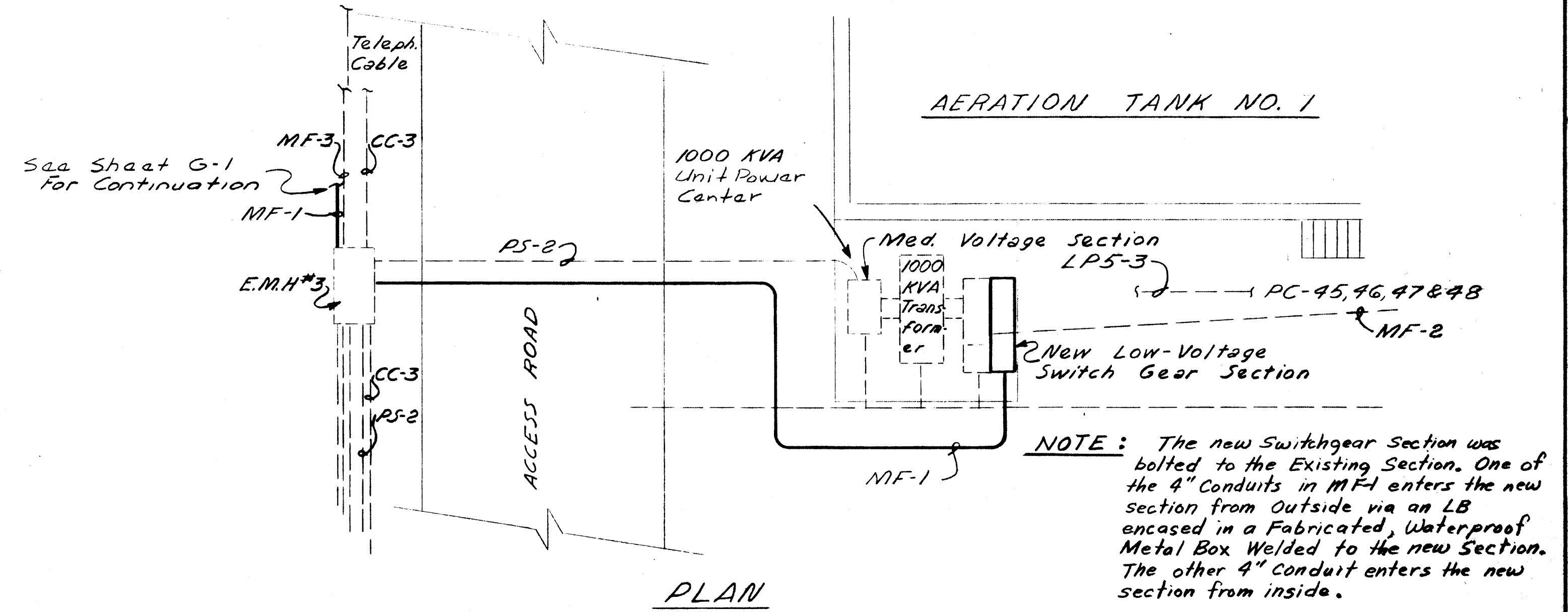
Mechanical
BLOWER BUILDING - PIPING
MISCELLANEOUS DETAILS

Inspector: FJD Date: 2-18-76
Made by: GBC Date: 2-18-76
Checked by: WJD Date: 2-18-76

MOTOR CONTROL CENTER

Comp. No.	Circ. Protec. Device (Amp) Fuse/Circ. Bk.	Equipment in Motor Control Center	Conduit No.	Equipment Remote from Motor Control Center		POWER & SUPPLY CONDUITS			
				Equipment Furnished & Installed by C-6	Equipment Furnished & Installed by C-7	Conduit No.	Conductors No. & Size	Conduit Size	Remarks
1E & 1L	800 Non-Auto		MF-1	Existing 1000 KVA Unit Power Center		MF-1			*Includes Spares 4-400 MCM Aluminum Conductors Used Per Phase in 2-4" Conduits (Al. to Cu. Connectors Used)
2F 3F 4F	850		PC-1, 2 or 3	Blower 1 (Typical for Nos. 2 & 3)	125	PC-1, 2 or 3	3 250 MCM 2 1/2"	250 MCM Aluminum Cond. Used (Al. to Cu. Connectors Used)	
2J	100		PC-4	Blower 2	50	PC-4	3 2 1/2"	*2 Aluminum Conductors Used (Al. to Cu. Connectors Used)	
3J 3M	15		P-1, 2	Roof Exhauster (CRE-1) (Typical CRE-2)	3/4	P-1 or 2 CC-1 CC-4 or CC-5	3 12 3/4" 4 14 3/4"		
4HR	30		P-3, P-4, P-5, P-6	Louver Control Unit		P-3	3 10 3/4"		
4HL	20		P-7	Two Stage Thermostat		P-7 P-7A	3 12 3/4" 4 10 3/4"		

NOTE: The Contractor Exercised his Option to use Yoley Conduit in place of the PVC Coated System.

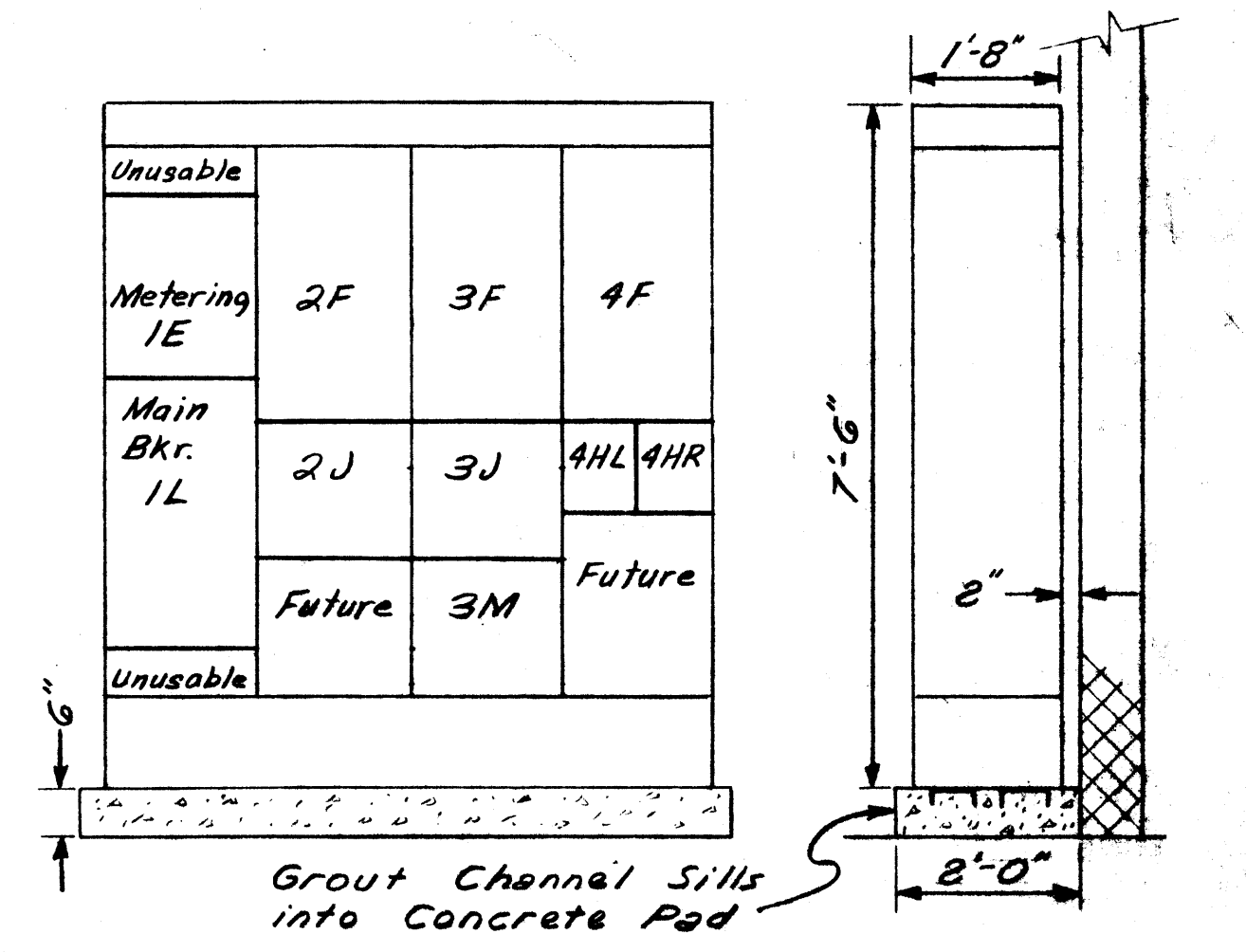
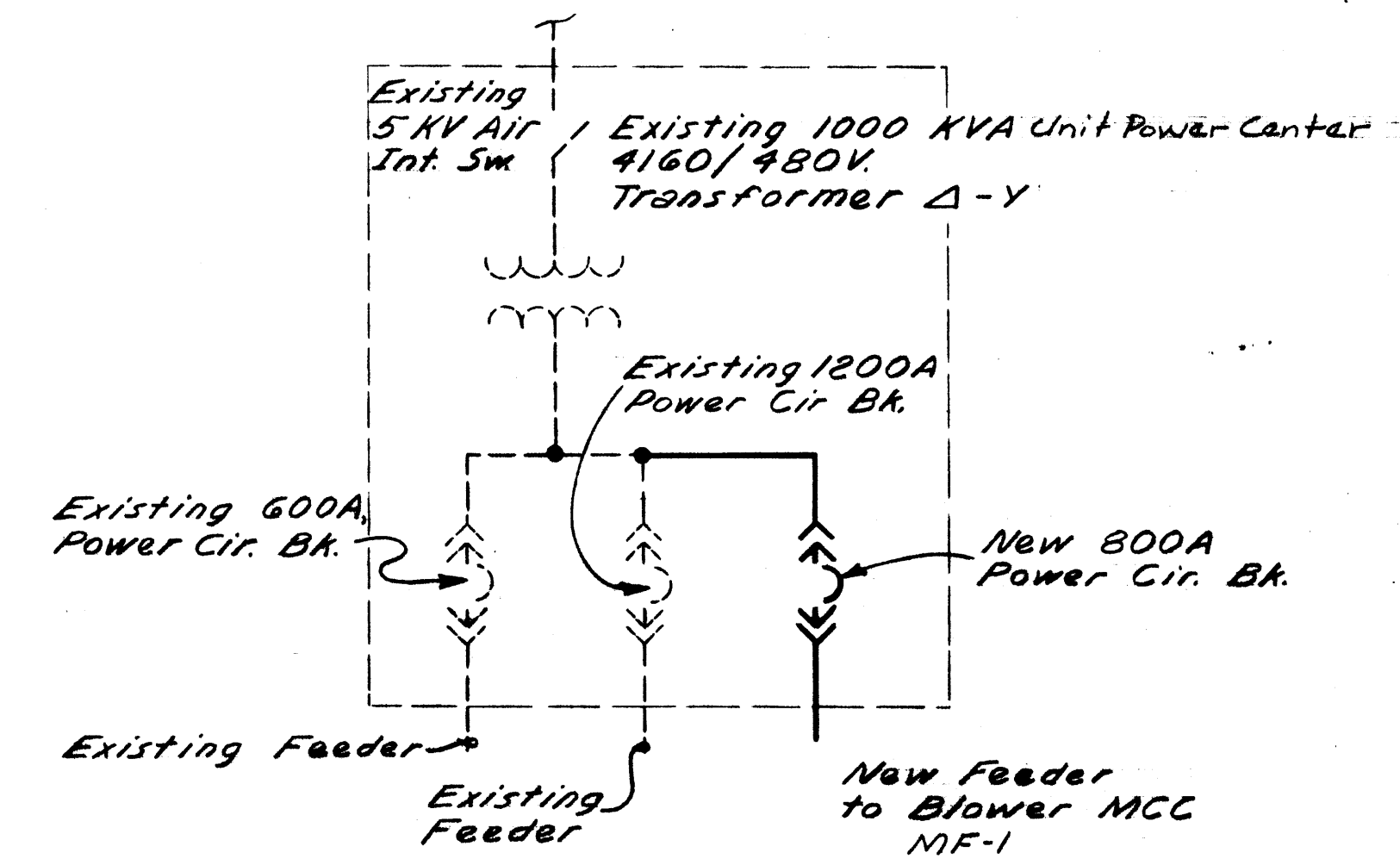


ARCHIVE DRAWINGS
DO NOT REMOVE FROM OFFICE
THIS STAMP IS IN RED INK

RECORD DRAWINGS
To the best of our knowledge, information and belief, these record drawings substantially represent the work as constructed.

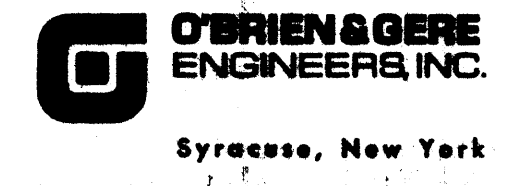
F.J.S. 4/18/76
W.W. 4/18/76
W.S.P. 4/18/76

Ad. Smith



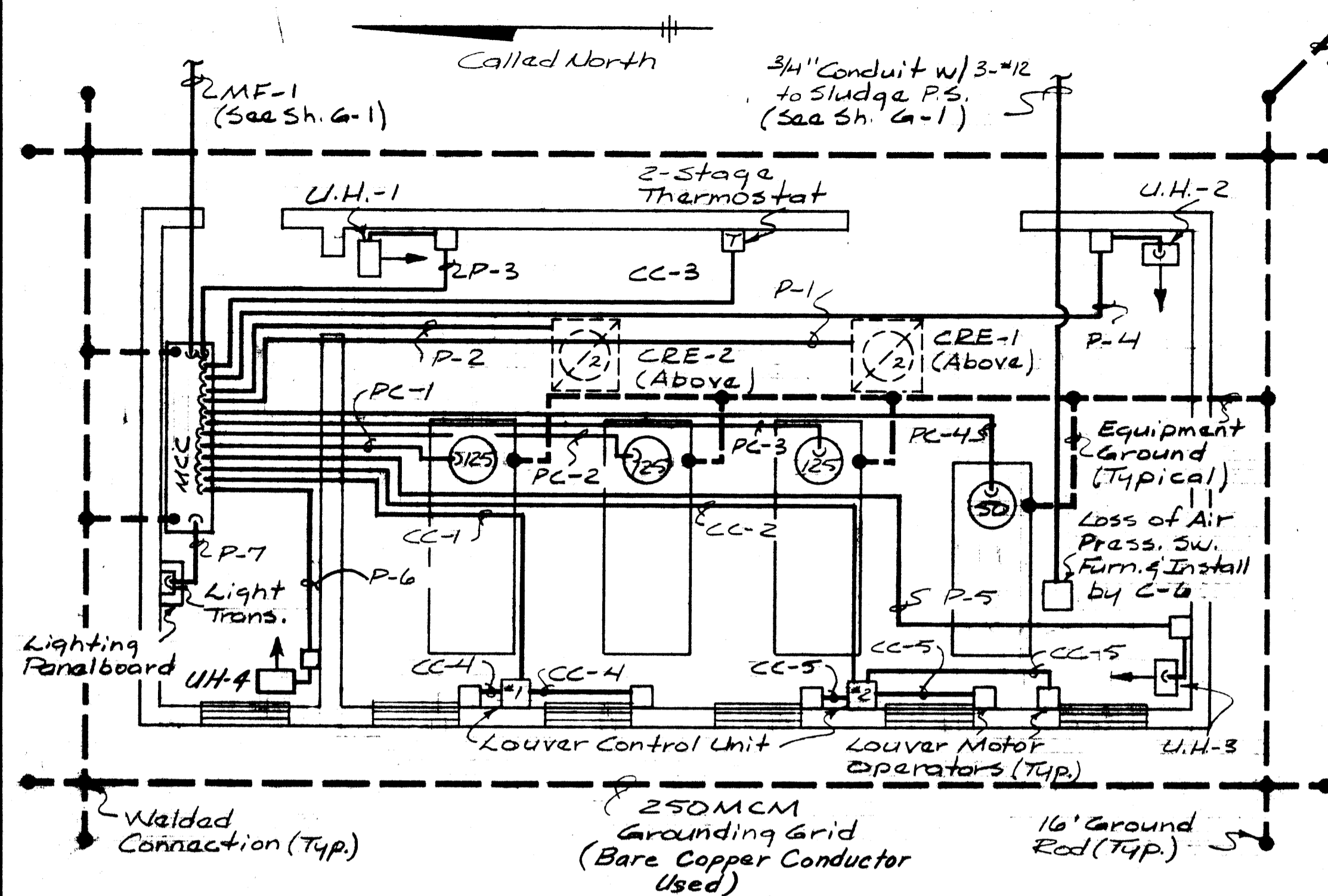
In charge of *William A. Sutfin*
Designed by *JHF* Checked by *JHF*
Made by *DAR*

NO.	DATE	REVISION	INIT.
1	4/18/76	Additions to CBE's & Blowers	AEN

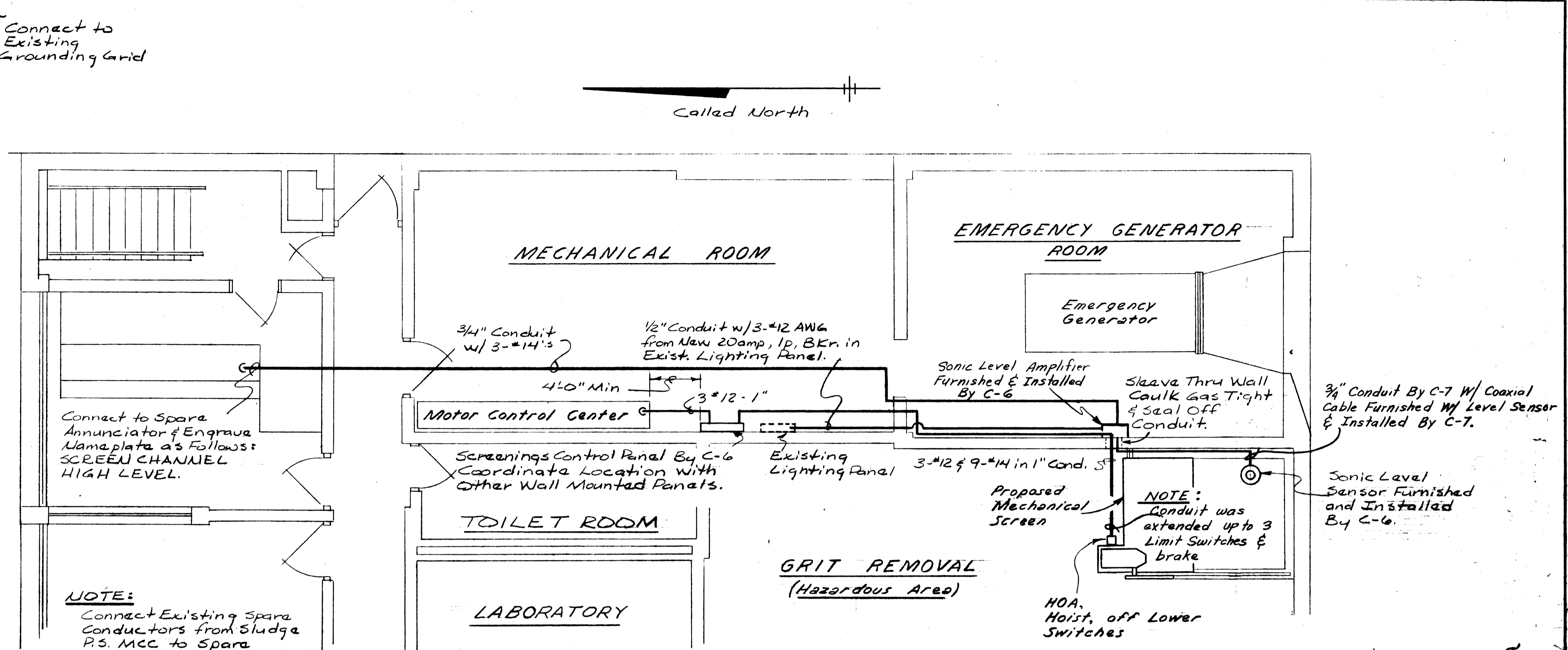


COUNTY OF ONONDAGA, NEW YORK
CONTRACTS NO. 6 & 7
MISCELLANEOUS IMPROVEMENTS
MEADOWBROOK LIMESTONE S.T.F.

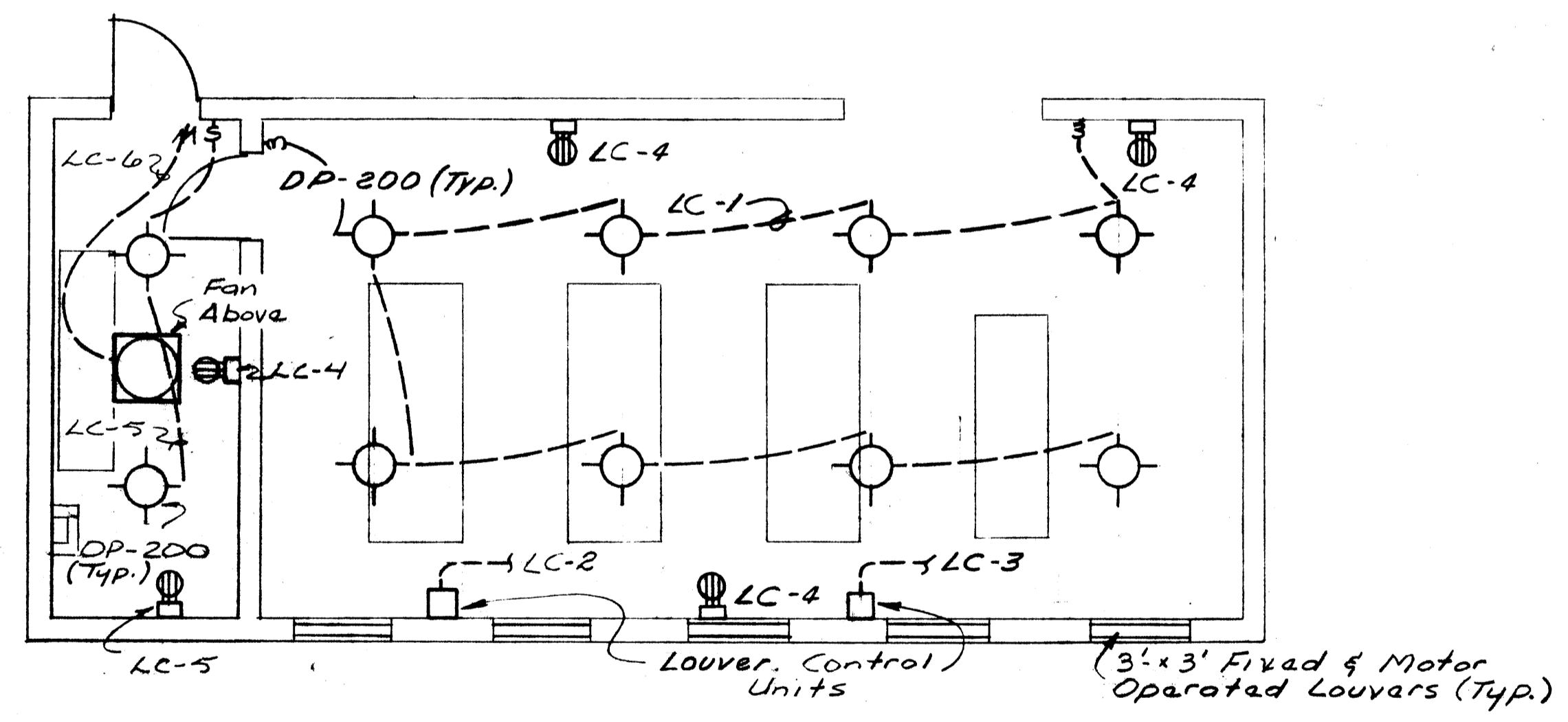
ELECTRICAL
DIAGRAMS & DETAILS
FILE NO. 115.149-256
DATE: AUGUST 23, 1972



BLOWER BUILDING POWER PLAN
Scale: 1/4" = 1'-0"

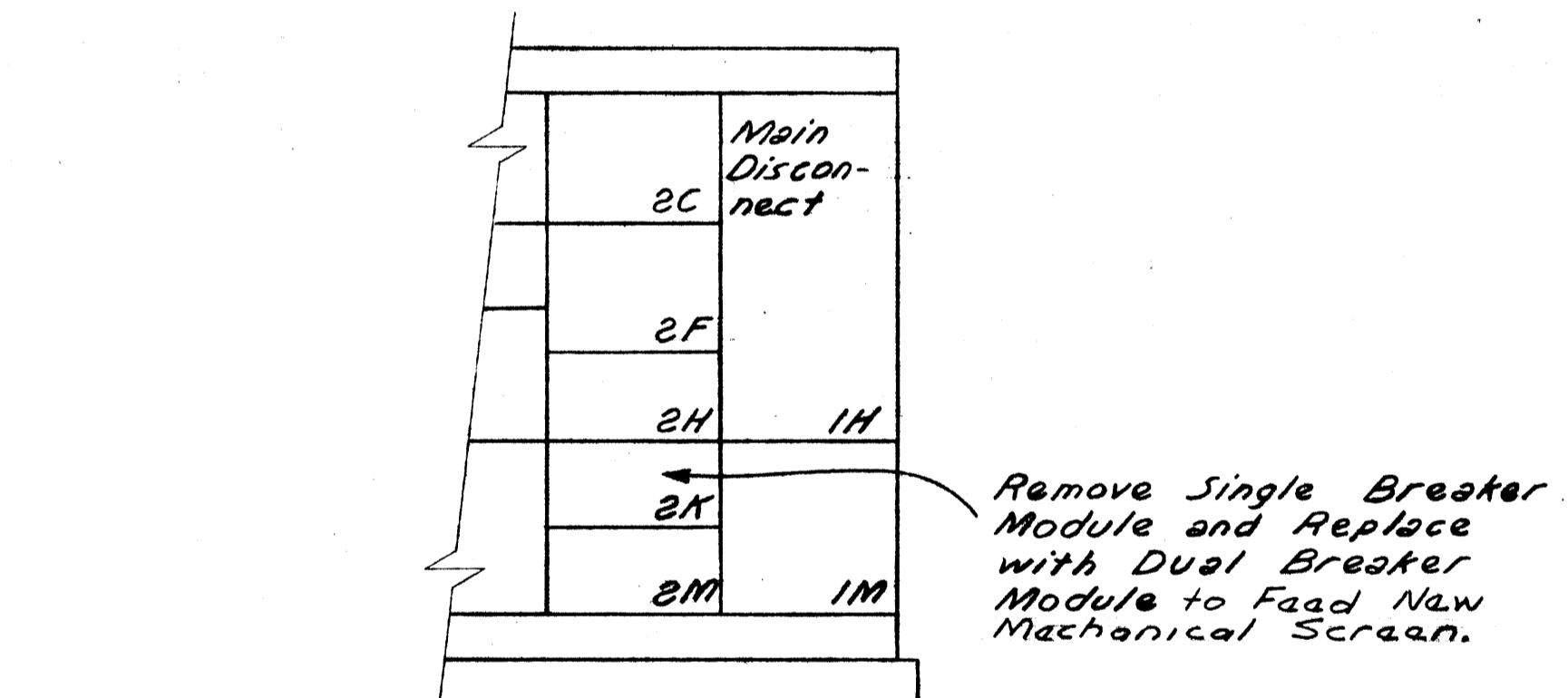


INFLUENT PUMP STATION PARTIAL PLAN
Scale: 1/4" = 1'-0"



BLOWER BUILDING LIGHTING PLAN
Scale: 1/4" = 1'-0"

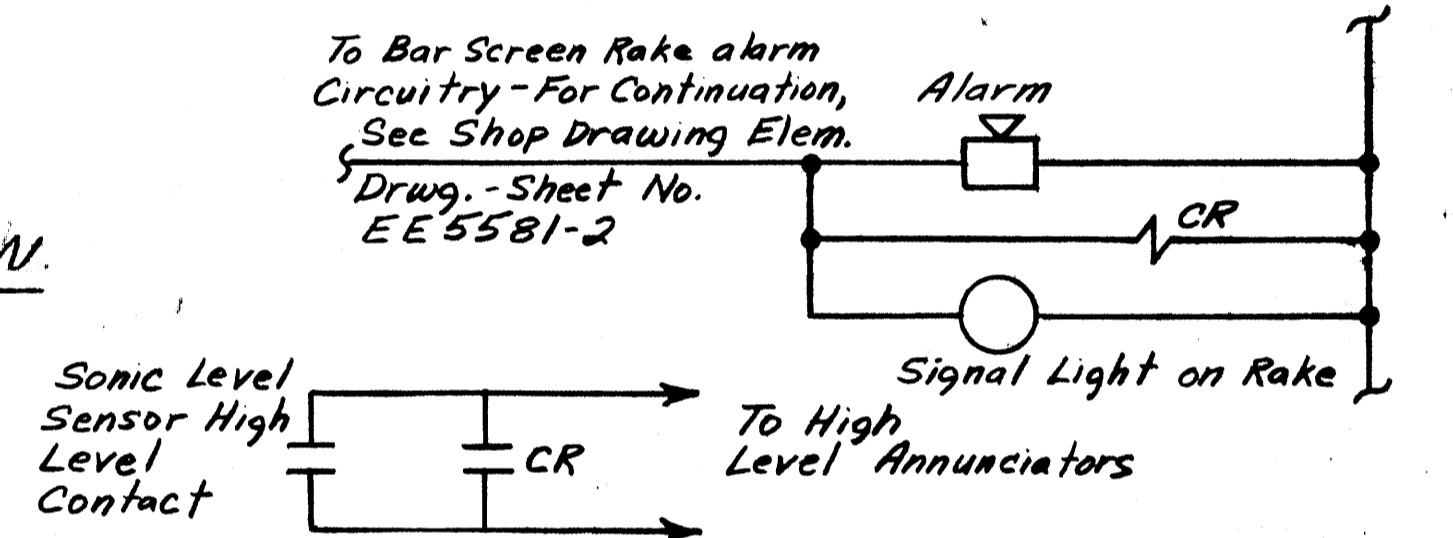
NOTE: Coordinate Fixture Locations with Piping & Monorails.



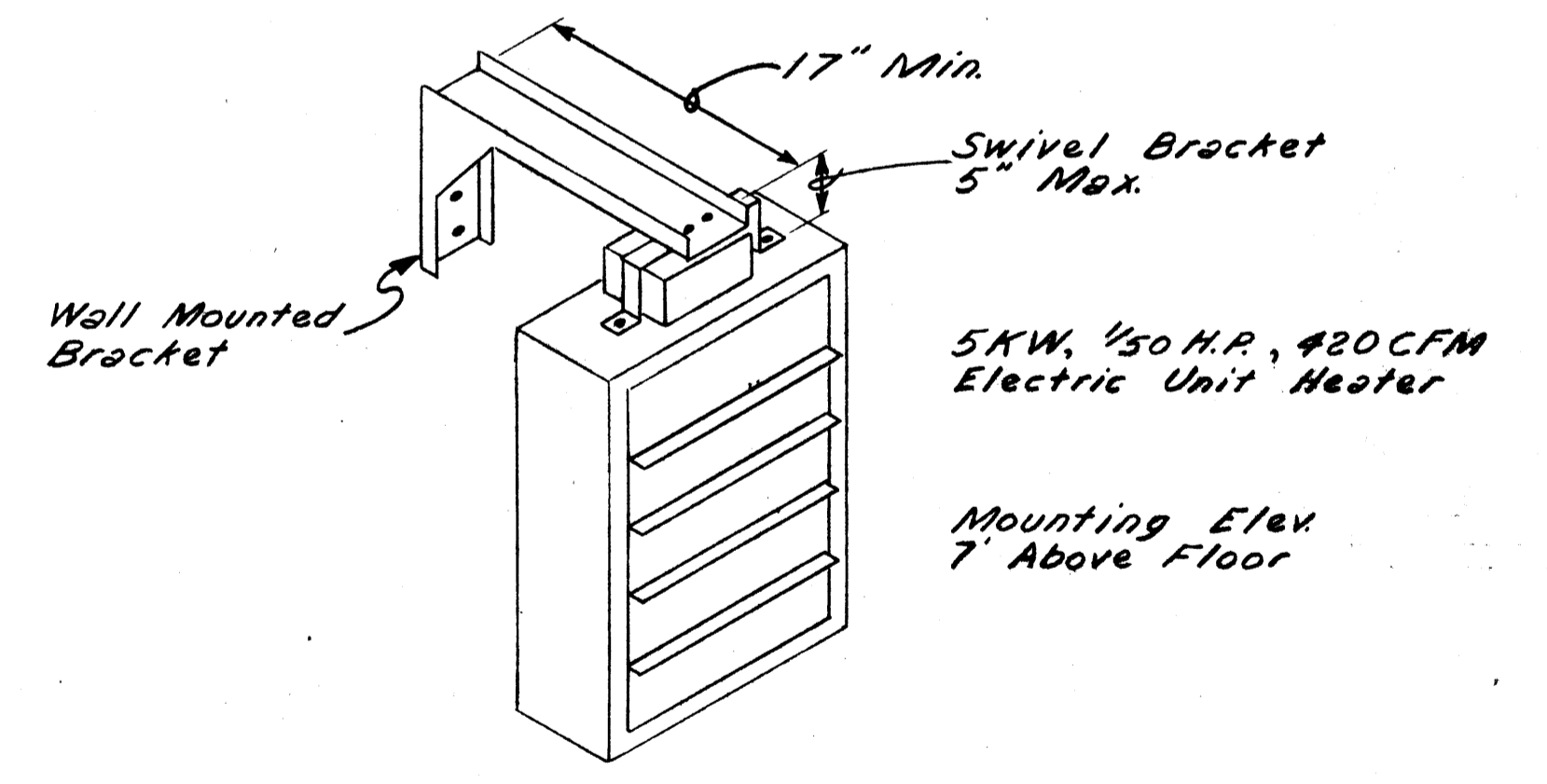
INFLUENT PUMP STATION M.C.C. PARTIAL ELEVATION
Not to Scale

LIGHTING PANEL SCHEDULE

No.	Location	Qty. & Type of Fixture	Recap.	Other Outlets	Watts
LC-1	Blower Bldg.	8-DP-200			1600
LC-2	Blower Bldg.			2 Louver Motor Oper.	200
LC-3	Blower Bldg.			3 Louver Motor Oper.	300
LC-4	Blower Bldg.		4		600
LC-5	Electrical Equip. Room	2-DP-200	2		700
LC-6	Electrical Equip. Room			Roof Fan	900
LC-7 to 16	Spares			Total Watts	4300



HIGH INFLUENT LEVEL & BAR SCREEN RAKE ALARM SYSTEM ELEMENTARY DIAGRAM



TYPICAL ELECTRICAL UNIT HEATER DETAIL
Not to Scale



In charge of William A. Smith
Designed by JHE Checked by JHE
Made by DAR

NO.	DATE	REVISION	INIT.
1	7/25/78	Add Elec. Equip. Rm. & Alarm Circuit	AELH



COUNTY OF ONONDAGA, NEW YORK
CONTRACTS NO. 6 & 7
MISCELLANEOUS IMPROVEMENTS
MEADOWBROOK LIMESTONE S.T.F.

ELECTRICAL
PLANS & DETAILS

FILE NO.
115.149-257
DATE
AUGUST 23, 1972
E-2

ARCHIVE DRAWINGS
DO NOT REMOVE FROM OFFICE
THIS STAMP IS IN RED INK

Records maintained
To the best of our knowledge, information and belief, these drawings substantially represent the project as constructed.
Inspector FJD Date 8/10/78
Made by WJW Date 8/10/78
Checked by WJW Date 8/10/78
By R.L. Sutphen